

PLEASE CHECK WWW.MOLEX.COM FOR LATEST PART INFORMATION

Part Number: [0494400217](#)
Status: **Active**
Description: Cartridge Switch Connector Housing Assemble, 2 Circuits

Documents:

[Drawing \(PDF\)](#) [RoHS Certificate of Compliance \(PDF\)](#)
[Product Specification PS-49440-001 \(PDF\)](#)

General

Product Family	Accessories
Series	49440
Component Type	Housing
Product Name	N/A

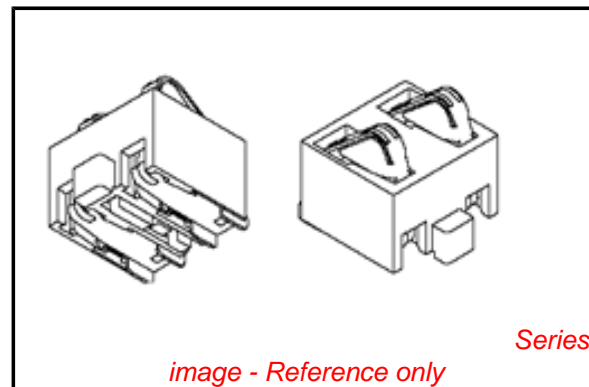
Physical

Circuits (Loaded)	2
Color - Resin	Black
Gender	N/A
Lock to Mating Part	No
Material - Metal	N/A
Number of Rows	1
Packaging Type	Embossed Tape on Reel
Polarized to Mating Part	Yes

Material Info

Reference - Drawing Numbers

Packaging Specification	PK-49440-001
Product Specification	PS-49440-001
Sales Drawing	SD-49440-001



EU RoHS

**ELV and RoHS
Compliant**
REACH SVHC
 Not Reviewed
**Halogen-Free
Status**

China RoHS

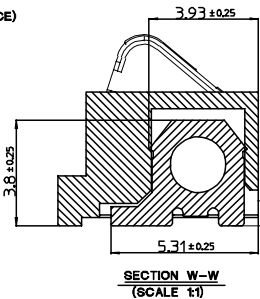
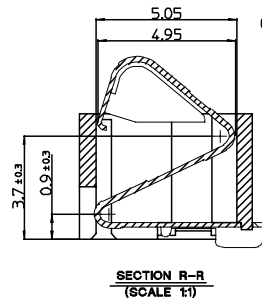
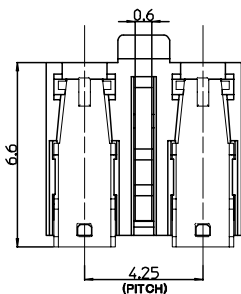
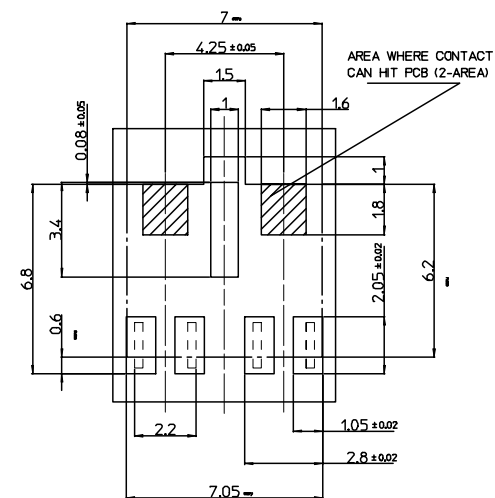
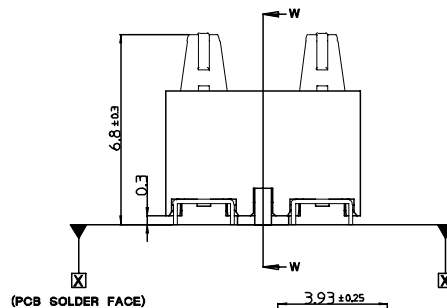
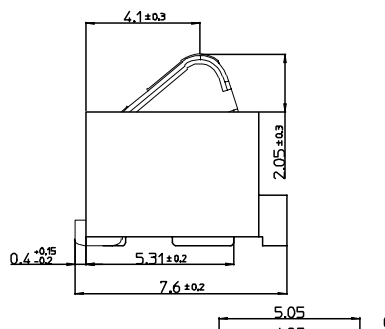
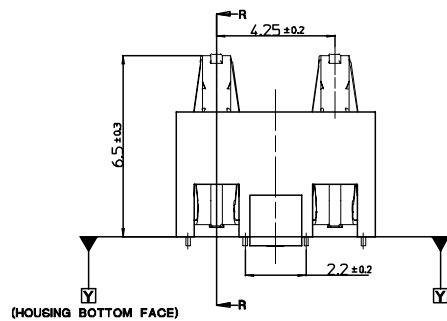
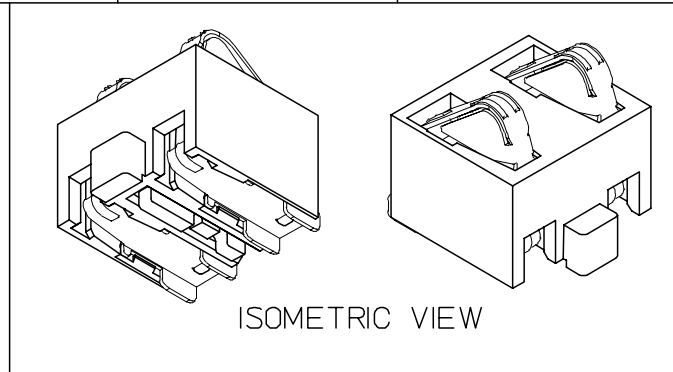
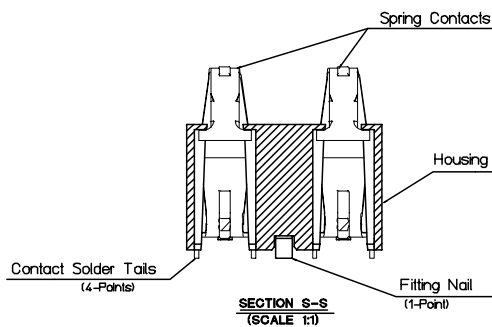
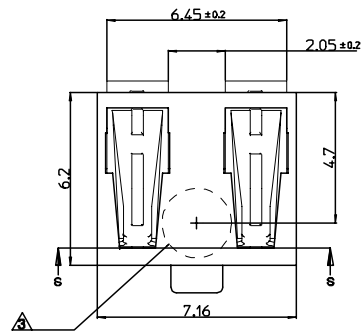


**Need more information on product
environmental compliance?**

Email productcompliance@molex.com
 For a multiple part number RoHS Certificate of
 Compliance, [click here](#)

Please visit the [Contact Us](#) section for any
 non-product compliance questions.

Search Parts in this Series
[49440Series](#)



**RECOMMENDED P.C.B PAD LAYOUT
(COMPONENT SIDE)**

[NOTE]

1. COPLANARITY OF SOLDER TAIL AND FITTING NAIL
 - 1.1. BEFORE REFLOW : 0.10mm MAX.
 - 1.2. AFTER REFLOW : 0.15mm MAX.
 - 1.3. MEASURE COPLANARITY BASE \boxtimes DATUM FACE.
2. ALIGNMENT TOLERANCE OF SOLDER TAIL FROM \boxtimes
 - 2.1. UPPER DIRECTION : 0.00mm MAX.
 - 2.2 LOWER DIRECTION : 0.4mm MAX.
- \triangle VACUUM PICK/PLACE AREA, FEATURE NOT PRESENT.
4. MATE WITH : 49438-0411, 49439-0411

NEW RELEASE
 EC NO: KOR2007-0160
 DRWN: JHLEE05 2007/06/12
 CHKD: KSKIM 2007/07/20
 APPR: YUNSIKKIM 2007/07/20

REV	DESCRIPTION
A	

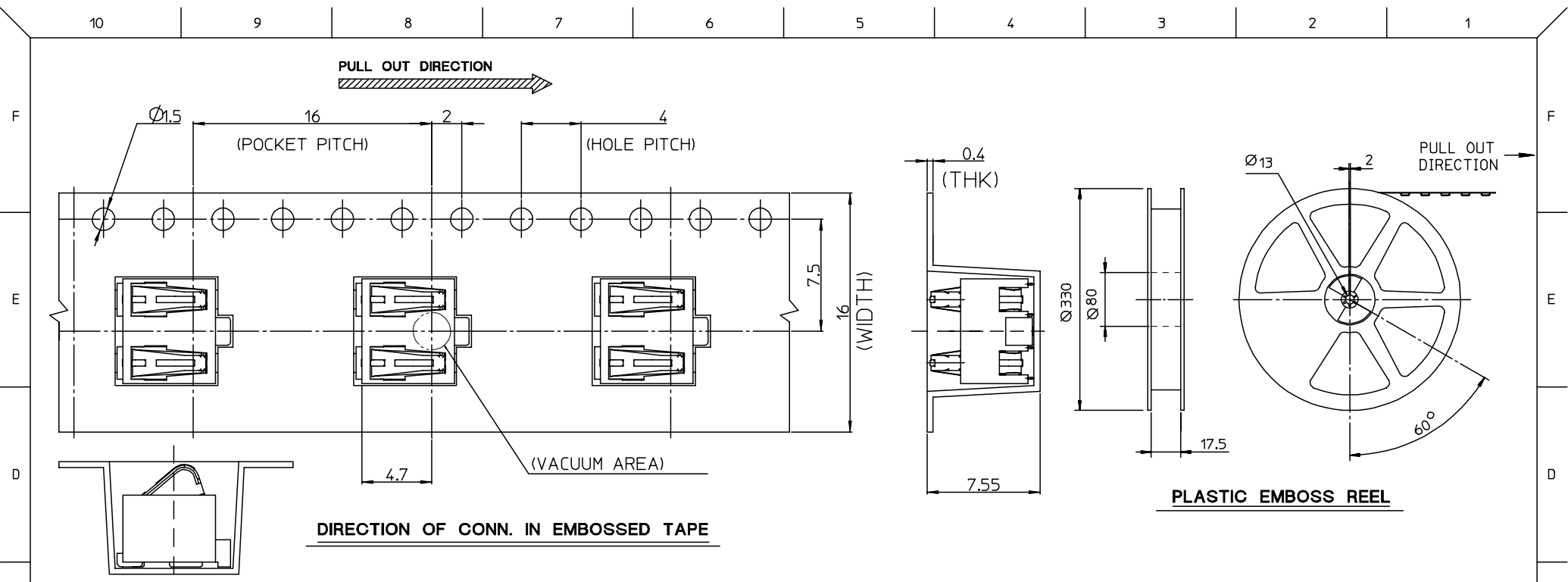
QUALITY SYMBOLS	
$\blacktriangledown = 0$	
$\triangleleft = 0$	

GENERAL TOLERANCES (UNLESS SPECIFIED)		
	mm	INCH
4 PLACES	± ---	± ---
3 PLACES	± ---	± ---
2 PLACES	± 0.25	± ---
1 PLACE	± 0.3	± ---
ANGULAR ± 1 °		

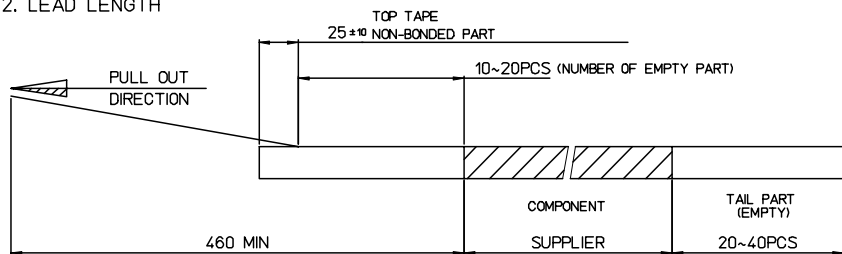
DRAFT WHERE APPLICABLE
MUST REMAIN
WITHIN DIMENSIONS

DIMENSION STYLE	
MM ONLY	
DRAWN BY	DATE
JHLEE05	2006/05/01
CHECKED BY	DATE
KSKIM	2006/05/01
APPROVED BY	DATE
YSOOKIM	2006/05/01
MATERIAL NO.	
494400217	
SIZE	
A4	

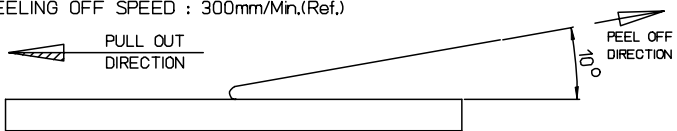
SCALE	DESIGN UNITS	THIRD ANGLE PROJECTION
4:1	METRIC	$\odot \triangleleft$ THIRD ANGLE PROJECTION
TITLE		
CARTRIDGE SWITCH CONN. HSG ASS'Y		
MOLEX MOLEX INCORPORATED		SHEET NO.
DOCUMENT NO. SD-49440-001		1 OF 2
THIS DRAWING CONTAINS INFORMATION THAT IS PROPRIETARY TO MOLEX INCORPORATED AND SHOULD NOT BE USED WITHOUT WRITTEN PERMISSION		



- NOTES**
 1. QUANTITY OF CONNECTORS : 800PCS/REEL
 2. LEAD LENGTH



3. PEELING OFF FORCE OF COVER TAPE : 0.1N~0.59N(10.2GF~60GF)
 (PEELING DIRECTION AS SHOW IN FOLLOW FIG.)
 PEELING OFF SPEED : 300mm/Min.(Ref.)



16mm	49440-0211	494400217	49440-0217
TAPE WIDTH	CONNECTOR	MATERIAL NO.	ENG. NO.

NEW RELEASE EC NO: KOR2007-0160 DRWN: JHLEE05 CHKD: KSKIM APPR: YUNSIKKIM	2007/06/12 2007/07/20 2007/07/20	QUALITY SYMBOLS ▽=0 △=0	GENERAL TOLERANCES (UNLESS SPECIFIED)		DIMENSION STYLE MM ONLY		SCALE 4:1	DESIGN UNITS METRIC	THIRD ANGLE PROJECTION
			4 PLACES ± --- ± ---	3 PLACES ± --- ± ---	2 PLACES ± 0.25 ± ---	1 PLACE ± 0.3 ± ---	ANGULAR ± 1 °	DRAWN BY JHLEE05	DATE 2006/05/01
DRAFT WHERE APPLICABLE MUST REMAIN WITHIN DIMENSIONS			MATERIAL NO. 494400217		APPROVED BY YSOOKIM		DATE 2006/05/01	MOLEX INCORPORATED	
REV			SIZE A3		DOCUMENT NO. SD-49440-001		SHEET NO. 2 OF 2		