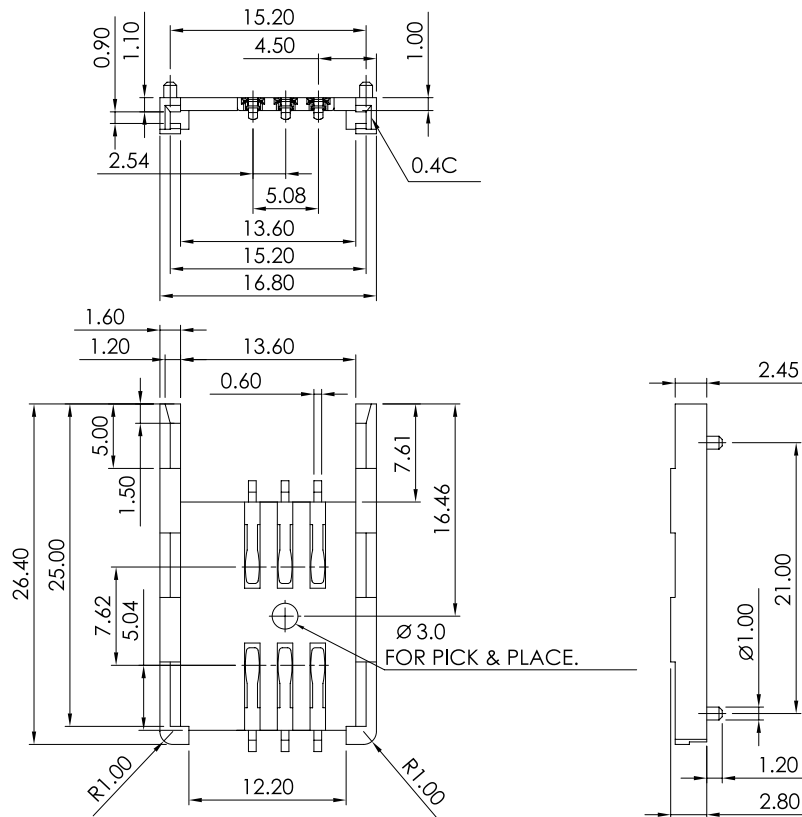


254118MA Series

Specifications:

- **Insulator Material** : Black High Temp. Plastic
- **Operating Type Range** : -40°C TO +105°C
- **Terminal Material** : Phos. Bronze
- **Platings** : Contact-Selective Gold Plated or Full Gold Plated
- **Max. Current Rating** : 1.0A
- **Max. Voltage Rating** : 50V AC
- **Dielectric Strength** : 500V AC For 60 Seconds



Order Information

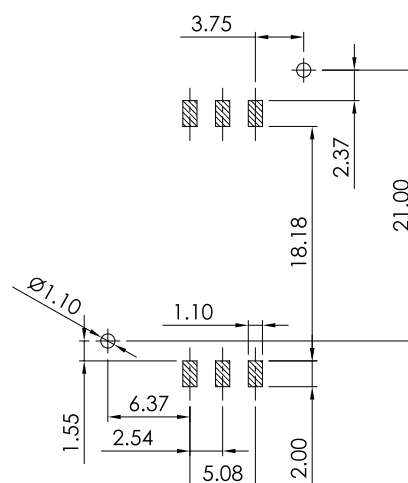
254118MA006□□00ZU
 1 2 3 4 5

1. 'A' : Straight SMT Type
2. No. of pins.
3. Plating
4. Color 'Z' : Black
5. Package

'U' : Tube Package Without Cap

Reference Page 11

Recommended P.C.B Layout



Mobile

SIM
CARD