



P/N: 24STS1267 DATA SHEET

Feature



- Designed for long haul gigabit Ethernet 1000 BASE-T, full duplex applications.
- Supports 4 pairs of category 5 UTP cable.
- Cable interface for isolation and low common mode emissions.
- Compliant with IEEE 802.3ab standard for 1000 BASE-T.
- Operating temperature range: 0°C to +70°C.
- Storage temperature range: -25°C to +125°C.

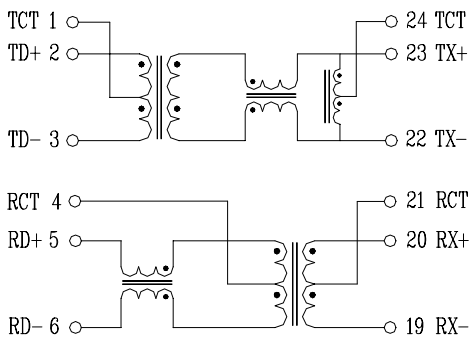
Electrical Specifications @ 25°C

Part Number	Turns Ratio (±5%)		HI-POT (Vrms)
	TX	RX	
24STS1267	1CT:1	1CT:1CT	1500

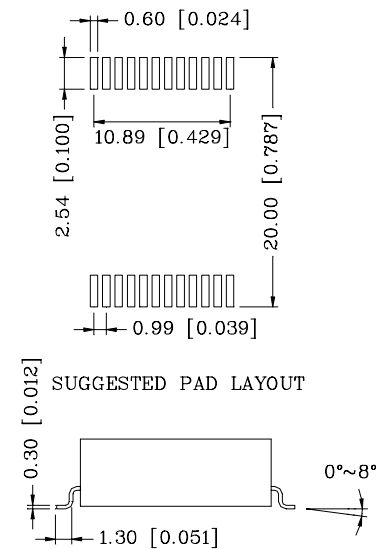
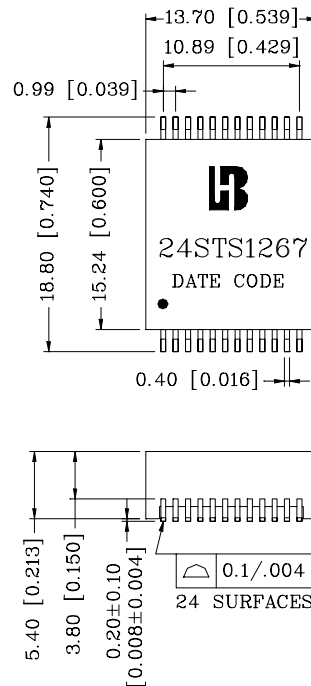
Continue

Part Number	Insertion Loss (dB Max)	Return Loss (dB Min) @ Load 100 Ω					Cross talk Attenuation (dB Min)			DCMR (dB Min)		
		1-100MHz	1-30MHz	40MHz	50MHz	60-80MHz	100MHz	30MHz	60MHz	100MHz	30MHz	60MHz
24STS1267	-1.0	-18	-14.4	-13.1	-12	-10	-45	-40	-35	-43	-37	-33

Schematic



Mechanical



Units: mm [Inches]
Tolerance: xx.x0±0.25 [0.010]
0.xx±0.05 [0.002]