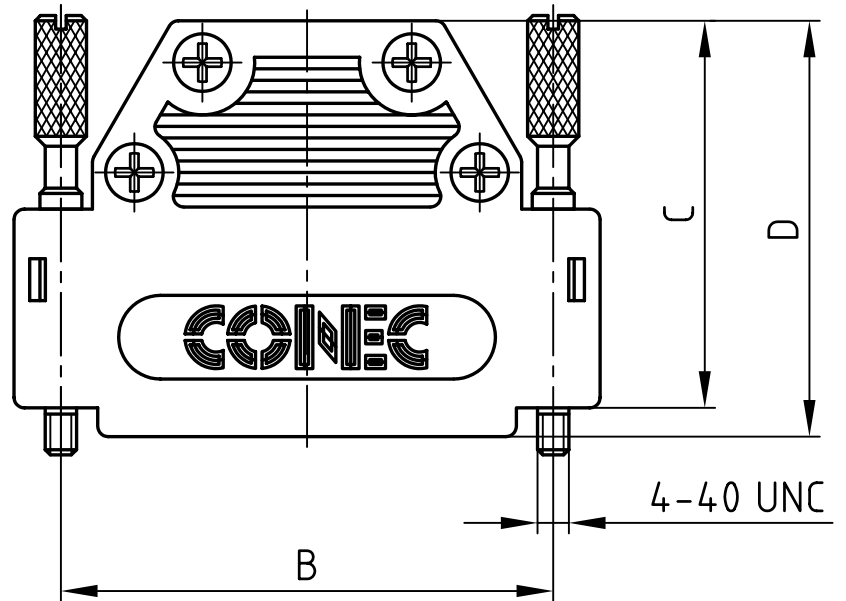
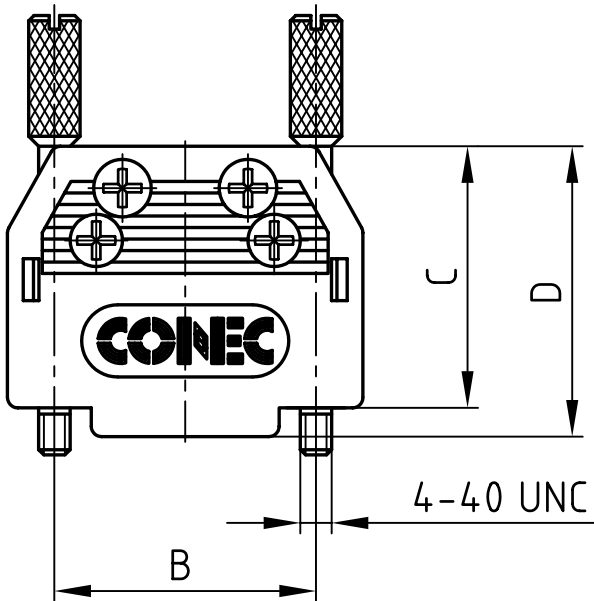
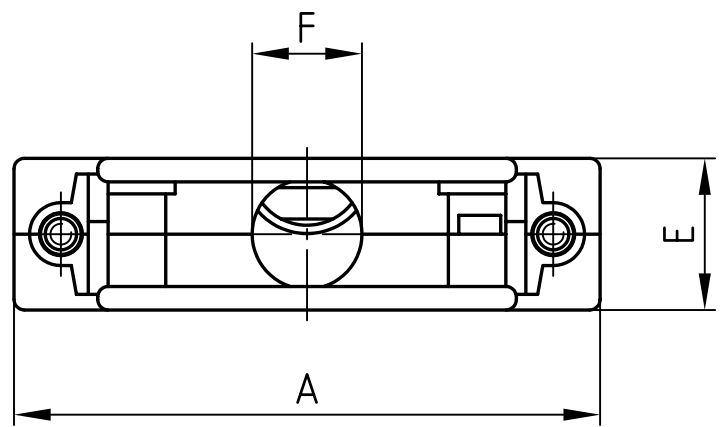
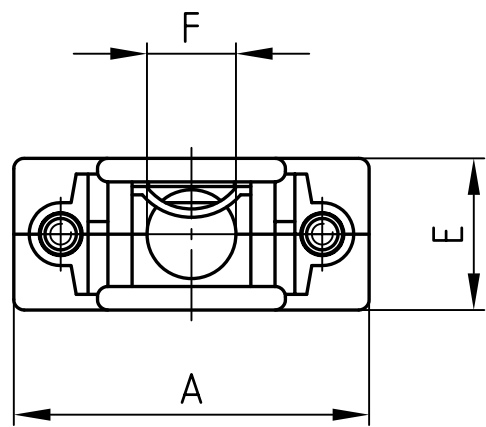


used for: D-SUB

(b) (c) 9pos.

(b) (c) 15-37pos.



(b) (c)

No. of pos.	A	B	C	D	E	F	Part No. Bulk package	Part No. Single package
9	34.0	25.00	25.0	27.75	14.5	8.5	165X10139X	165X10139XE
15	42.3	33.30	37.0	39.75	14.5	10.0	165X10149X	165X10149XE
25	56.0	47.04	37.0	39.75	14.5	10.5	165X10159X	165X10159XE
37	72.5	63.50	37.0	39.75	14.5	10.5	165X10169X	165X10169XE



APPROVAL # FREIGABE # DEBLOCAGE # AUTORIZACION # APPROVAL

CUSTOMER APPROVAL DATE:

NAME: TITLE:

COMPANY NAME:

APPROVAL # FREIGABE # DEBLOCAGE # AUTORIZACION # APPROVAL

(b) (c) NOTES:

- HOOD: POLYAMID + GF / BLACK
- JACKSCREW: BRASS; NICKEL PLATED
- STRAIN RELIEF: STEEL; NICKEL PLATED
- PAN-HEAD SCREW: STEEL; NICKEL PLATED
- COUNTERSUNK-HEAD SCREW: BRASS; NICKEL PLATED

THIS DRAWING MAY NOT BE COPIED OR REPRODUCED IN ANY WAY, AND MAY NOT BE PASSED ON TO A THIRD PARTY WITHOUT WRITTEN PERMISSION.
 OWNERSHIP AND COPYRIGHT OF CONEC GmbH
 DO NOT ALTER CAD DRAWING BY HAND

tolerance		dim. in mm	
2004	date	name	
drawn	08.01.	Lehmenkühler	
appd.	08.01.	Kühle	
norm			
4 x c	Ä 3418	31.08.2009	Lehmen.
5 x b	Ä 3405	19.08.2009	Lehmen.
a	Origin		
rev.	description	date	name



scale:	1:1	
material:	SEE NOTES	
title:	PLASTIC HOOD 9-37pos. straight cable exit, jack screws	
dwg no:	AutoCAD 2000	DIN-A
	16K1A1078	4
part no:	SEE TABLE	
		sh: 1/1

4

3

2

1