

PLEASE CHECK WWW.MOLEX.COM FOR LATEST PART INFORMATION

Part Number: [0751870005](#)
Status: **Active**
Overview: [vhdm](#)
Description: 2.00mm (.079") Pitch VHDM® Lite Series, Board-to-Board Daughtercard Receptacle Assembly, Right Angle, 6-Row, Custom 75189

Documents:

[Drawing \(PDF\)](#) [RoHS Certificate of Compliance \(PDF\)](#)

General

Product Family	Backplane Connectors
Series	75187
Application	Daughtercard
Application Tooling Documents	Tooling Manual
Comments	Daughtecard Receptacle Module, Power, 2-blade, Daughtercard Module, Guidance, Daughtercard Receptacle Wafers, Signal
Component Type	PCB Receptacle
Overview	vhdm
Product Name	VHDM®
Style	N/A

Physical

Circuits (Loaded)	60
Circuits (maximum)	60
Color - Resin	Black
Durability (mating cycles max)	200
First Mate / Last Break	No
Guide to Mating Part	No
Keying to Mating Part	None
Material - Metal	Copper-Nickel-Silicon, High Performance Alloy (HPA)
Material - Plating Mating	Gold
Material - Plating Termination	Tin-Lead
Material - Resin	High Temperature Thermoplastic
Number of Columns	N/A
Number of Pairs	Open Pin Field
Number of Rows	6
Orientation	Right Angle
PCB Retention	None
PCB Thickness Recommended (in)	0.070 In
PCB Thickness Recommended (mm)	1.80 mm
Packaging Type	Tube
Pitch - Mating Interface (in)	0.079 In
Pitch - Mating Interface (mm)	2.00 mm
Plating min: Mating (µin)	30.4
Plating min: Mating (µm)	0.76
Plating min: Termination (µin)	30.4
Plating min: Termination (µm)	0.76
Polarized to PCB	Yes
Stackable	Yes
Surface Mount Compatible (SMC)	Yes
Temperature Range - Operating	-55°C to +105°C
Termination Interface: Style	Through Hole - Compliant Pin

Electrical

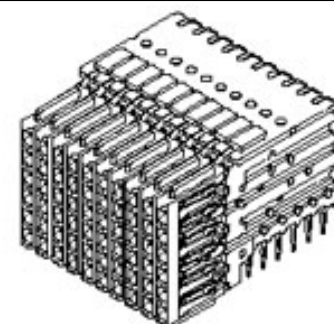


image - Reference only

Series

EU RoHS

RoHS Compliant by Exemption

REACH SVHC

Contains SVHC: No

Halogen-Free

Status

Halogen-Free

China RoHS



Pb

Need more information on product environmental compliance?

Email productcompliance@molex.com
 For a multiple part number RoHS Certificate of Compliance, [click here](#)

Please visit the [Contact Us](#) section for any non-product compliance questions.

Search Parts in this Series

[75187Series](#)

Mates With

[75194 VHDM® Lite Board-to-Board Header.](#)
[75195 VHDM® Lite Backplane Header.](#)
[75196 VHDM® Lite Backplane Header.](#)
[74029 VHDM® Board-to-Board Backplane Receptacle Power](#)

Use With

[Backplane Modules](#)

Current - Maximum per Contact	1A
Data Rate	2.5 Gbps
Real Signals (per 25mm)	72
Voltage - Maximum	120V AC (RMS)/DC

Material Info

Reference - Drawing Numbers

Sales Drawing	SD-75187-001
---------------	--------------

VHDM and Very High Density Metric are trademarks of Amphenol Corporation

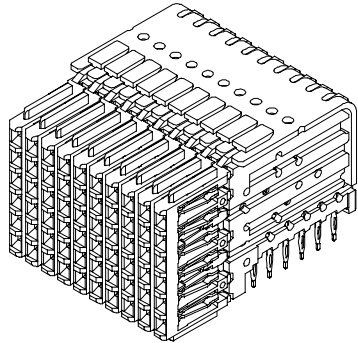
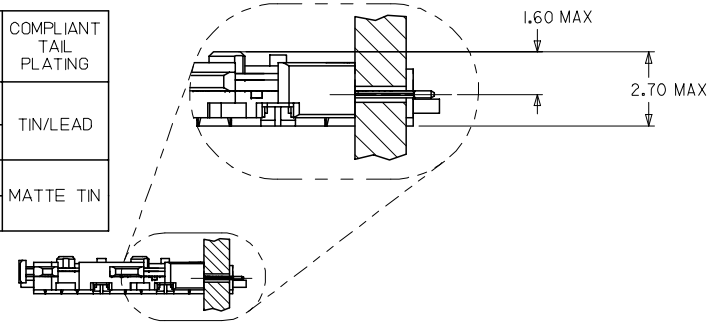
This document was generated on 05/28/2010

PLEASE CHECK WWW.MOLEX.COM FOR LATEST PART INFORMATION

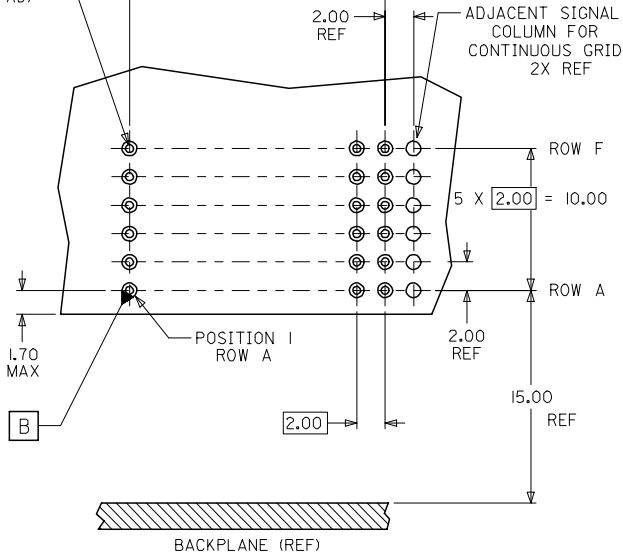
NOTES (UNLESS OTHERWISE SPECIFIED):

- MATERIALS: HOUSING - LIQUID CRYSTAL POLYMER (LCP),
GLASS-FILLED, UL94V-0
TERMINALS - HIGH PERFORMANCE COPPER ALLOY
WAFER CARRIER - BRASS
- FINISH: SIGNAL TERMINALS - SELECTIVE GOLD (Au) IN CONTACT
AREA, SELECTIVE TIN/LEAD (Sn/Pb)
OR MATTE TIN (Sn) ON COMPLIANT
TAILS, NICKEL (Ni) OVERALL
WAFER CARRIER - NICKEL (Ni) OVERALL
- REFER TO MOLEX PRODUCT SPECIFICATION PS-74031-999 FOR
PERFORMANCE SPECIFICATIONS.
- SIGNAL WAFERS SUPPLIED ON STAINLESS STEEL STIFFENER.
10 OR 25 WAFERS SHOULD BE GROUPED TOGETHER IN ORDER
TO MATE TO VHDM 6-ROW LITE BACKPLANE HEADER SERIES
NUMBERS 75194, 75195, AND 75196.

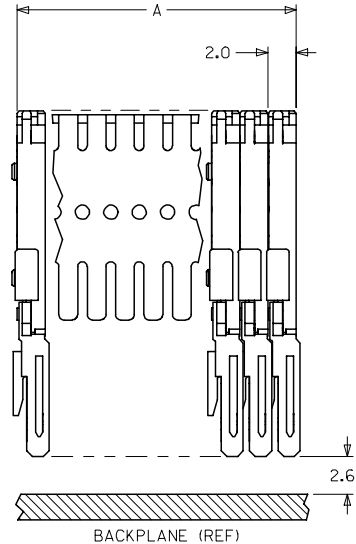
WAFER MATERIAL NUMBER	CONTACT PLATING MINIMUM GOLD THICKNESS	WAFER PLASTIC COLOR	COMPLIANT TAIL PLATING
75187-0005	0.00076mm (30µin)	BLACK	TIN/LEAD
75187-0055	0.00127mm (50µin)	GRAY	TIN/LEAD
75187-1005	0.00076mm (30µin)	BLACK	MATTE TIN
75187-1055	0.00127mm (50µin)	GRAY	MATTE TIN



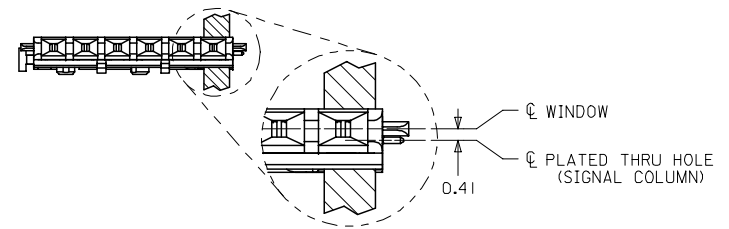
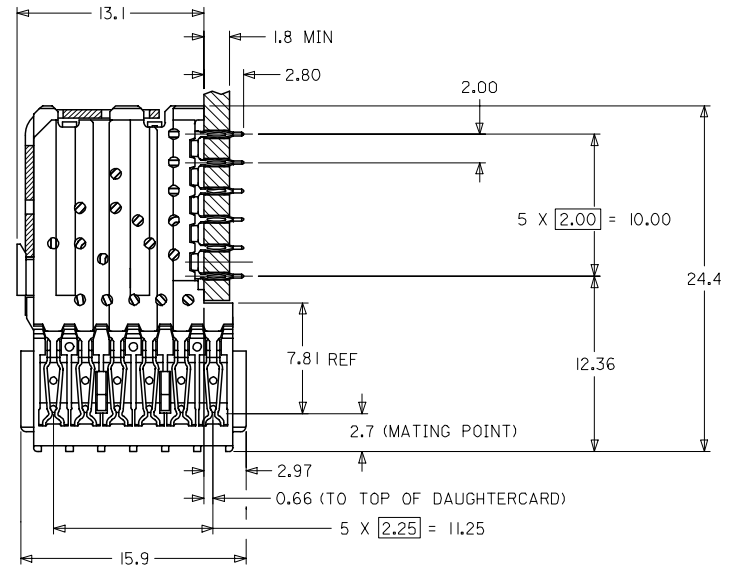
⌀ 0.10 B
⌀ 0.56 ± 0.05 PTH
(⌀ 0.66 DRILL)
(⌀ 1.00 PAD)



DAUGHTERCARD HOLE PATTERN
(CONNECTOR SIDE)



NUMBER OF SIGNAL WAFERS	DIM "A"	DIM "B"	DIM "C"
10	20.0	9	18.00
25	50.0	24	48.00



ADDED -0055, -1005 & -1055 EC NO: UCP2007-0762 DRAWN BY: DRWANDHARVARA 2007/01/08 CHKD: JB INGHAM 2007/01/09 APPR: SREED 2007/01/11 REV:	QUALITY SYMBOLS ▽=0 ▽=0	GENERAL TOLERANCES (UNLESS SPECIFIED) mm INCH 4 PLACES ± --- ± --- 3 PLACES ± --- ± --- 2 PLACES ± 0.13 ± --- 1 PLACE ± 0.25 ± --- ANGULAR ± 2 °	DIMENSION STYLE MM ONLY DRAWN BY: MBANDURA DATE: 2002/12/10 CHECKED BY: JL AURX DATE: 2002/12/10 APPROVED BY: CBIXLER DATE: 2002/12/10 MATERIAL NO. DOCUMENT NO.	SCALE: 4:1 DESIGN UNITS: METRIC THIRD ANGLE PROJECTION	VHDM LITE 6 ROW DAUGHTERCARD SIGNAL WAFER SALES DRAWING MOLEX INCORPORATED SD-75187-001 SHEET NO. 1 OF 1	
	DRAFT WHERE APPLICABLE MUST REMAIN WITHIN DIMENSIONS		SEE CHART	THIS DRAWING CONTAINS INFORMATION THAT IS PROPRIETARY TO MOLEX INCORPORATED AND SHOULD NOT BE USED WITHOUT WRITTEN PERMISSION		