

PLEASE CHECK WWW.MOLEX.COM FOR LATEST PART INFORMATION

Part Number: **0643241039**
Status: **Active**
Overview: cmc connectors
Description: 2.80mm (.110"), CMC CP Female Terminal, Tin plated, for Tab Dimensions 2.8mm x 0.8mm , Wire Size > 1mm² - 2mm²

Documents:

[3D Model](#) [Product Specification PS-64321-001 \(PDF\)](#)
[Drawing \(PDF\)](#) [RoHS Certificate of Compliance \(PDF\)](#)
[Product Specification PS-64318-001 \(PDF\)](#)

General

Product Family	Crimp Terminals
Series	64324
Comments	* Current tested on a fully loaded connector, current for temperature increase of 40°C. Current max = 21.0A for 2.8mm Terminal (5.0mm ² wire)
Crimp Quality Equipment	Yes
Overview	<u>cmc connectors</u>
Product Name	CP Terminal

Physical

Durability (mating cycles max)	20
Gender	Female
Material - Metal	High Copper
Material - Plating Mating	Tin
Material - Plating Termination	Tin
Packaging Type	Reel
Plating min: Mating (µin)	40.00
Plating min: Mating (µm)	1.000
Termination Interface: Style	Crimp or Compression
Wire Insulation Diameter	2.10mm-2.80mm
Wire Size AWG	N/A
Wire Size mm ²	> 1.0 - 2.0

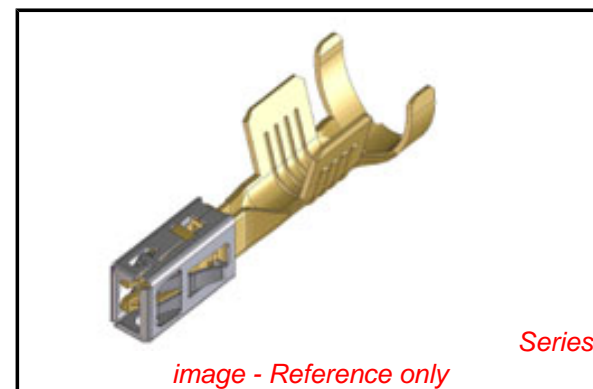
Electrical

Current - Maximum per Contact	21A
Voltage - Maximum	250V AC

Material Info

Reference - Drawing Numbers

Application Specification	AS-64321-001
Packaging Specification	PK-98910-001
Product Specification	PS-64318-001, PS-64321-001
Sales Drawing	SD-64324-001



EU RoHS

ELV and RoHS Compliant
REACH SVHC
 Not Reviewed
Halogen-Free Status
 Not Reviewed

China RoHS



Need more information on product environmental compliance?

Email productcompliance@molex.com
 For a multiple part number RoHS Certificate of Compliance, [click here](#)

Please visit the [Contact Us](#) section for any non-product compliance questions.

Search Parts in this Series

64324Series

Mates With

CMC Connector [64318](#) , [64321](#). CMC Wire Seal [64325](#)

Use With

CMC Connector [64318](#) , [64321](#). CMC Wire Seal [64325](#)

Application Tooling | FAQ

Tooling specifications and manuals are found by selecting the products below. Crimp Height Specifications are then contained in the Application Tooling Specification document.

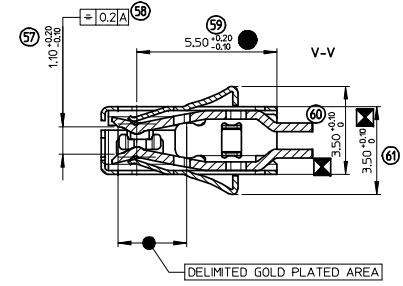
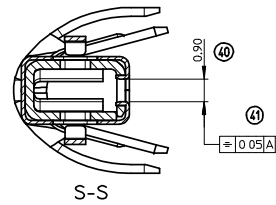
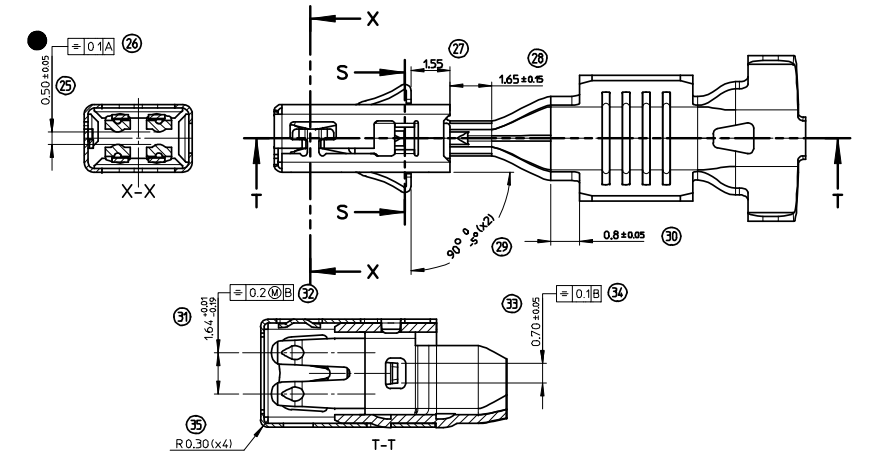
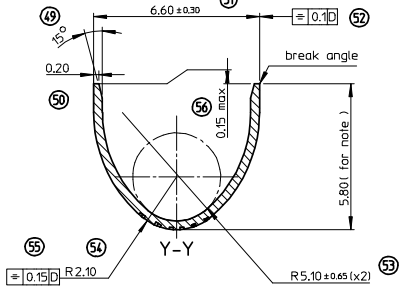
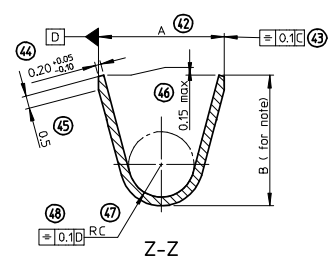
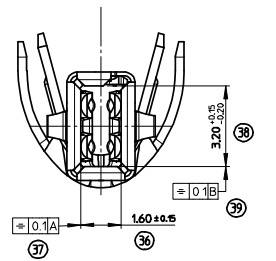
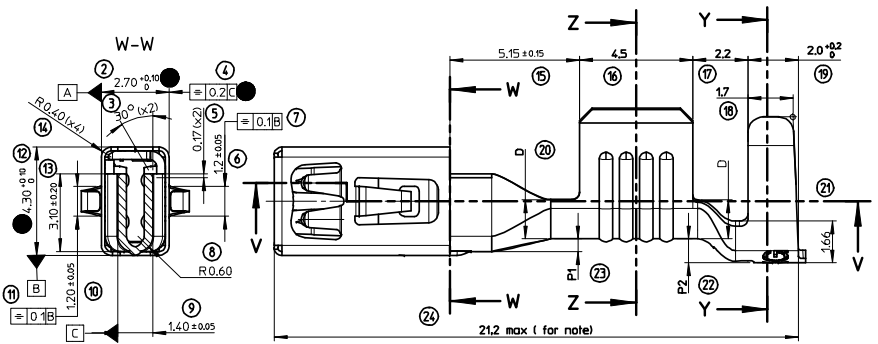
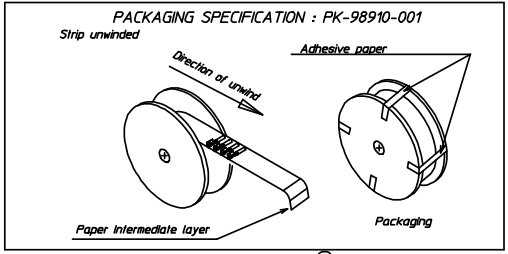
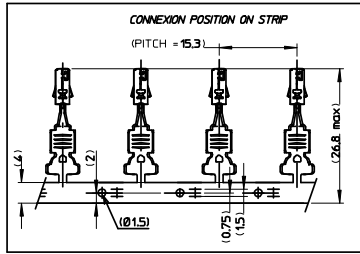
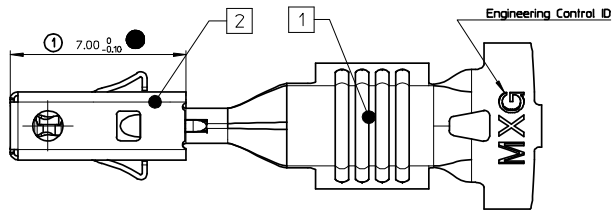
Global

Description	Product #
Hand Crimp Tool for	0638119700
CP 2.8 Receptacle	
14-16 AWG Type	
TXL Wire and	
>1.00-2.00mm ²	

Type ID & ID Wire with 2.80mm (.110"), CMC Wire Seal Receptacle Mini-Mac™	<u>0638951100</u>
Applicator for CP2.8 Terminals, >1.00-2.00mm ID & IR Wire Extraction Tool	<u>0638132500</u>

This document was generated on 05/19/2010

PLEASE CHECK WWW.MOLEX.COM FOR LATEST PART INFORMATION

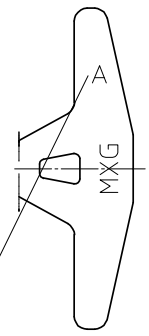


NOTE:
- CRIMPING SPECIFICATION ACCORDING TO CS-64324-001

2	BOX TERMINAL	STAINLESS STEEL thickness : 0.15 mm
1	BODY TERMINAL	HIGH CONDUCTIVITY COPPER ALLOY thickness : 0.35 mm
MARK	DESIGNATION	MATERIAL

MARK	DESIGNATION	MATERIAL	CONTACT AREA	CRIMPING AREA	UNDERLAYER	CRIMPING RANGE (mm ²)	A ±0.2	B	rC ±0.1	D ±0.1	P1 ±0.1	P2 ±0.1	WEIGHT (g)	Identification
0643241119	Au 1.27μ MINI	Sn Ni	>3 TO 5	5.0	5.2	1.3	1.55	0.5	0.95	0.4902				D
0643241019	Sn	Sn	>2 TO 3	4.1	4.4	1.0	1.45	0.5	0.95	0.4795				C
0643241029	Sn	Sn	>1 TO 2	4.1	3.5	0.9	1.3	0.85 ^{+0.1} _{-0.2}	1.3 ^{+0.1} _{-0.2}	0.4274				B
0643241039	Au 1.27μ MINI	Sn Ni	0.50 TO 1	2.8	2.6	0.7	1.1	0.85 ^{+0.1} _{-0.2}	1.3	0.3916				A
0643241149	Au 1.27μ MINI	Sn Ni								0.3815				
0643241049	Sn	Sn												

crimp range identification



(SKC)	COTES CARACTERISTIQUES SPECIALES
(SKC)	SPECIAL KEY CHARACTERISTICS
(SKC)	INDICATION DIMENSIONS S.P.C
(SKC)	INDICATES S.P.C DIMENSIONS
(SKC)	INDICATION DIMENSIONS CRITIQUES
(SKC)	INDICATES CRITICAL DIMENSIONS
(SKC)	INDICATION DIMENSIONS FONCTIONNELLES
(SKC)	INDICATES FUNCTIONAL DIMENSIONS
(SKC)	QUANTITE PAR FEUILLE INDIVIDUELLE
(SKC)	QUANTITY PER INDIVIDUAL SHEET
(SKC)	2 0 6 (SKC) 0

Revised Dwg EC NO: 62008-0440 DRAWN: JULIO 2008/05/19 CHKD: FPAROLARI 2008/05/19 APPR: LSTICKEIR 2008/05/19	GENERAL TOLERANCES (UNLESS SPECIFIED)	DIMENSION STYLE MM ONLY	SCALE 10:1	DESIGN UNITS METRIC	FIRST ANGLE PROJECTION
	4 PLACES ± --- ± --- 3 PLACES ± --- ± --- 2 PLACES ± 0.10 ± --- 1 PLACE ± 0.1 ± ---	mm INCH	DRAWN BY VQUERIN	DATE 2007/11/07	TITLE CP RCPT TRM 2.8
ANGULAR ± 2°		CHECKED BY FPAROLARI	DATE 2007/11/07		
DRAFT WHERE APPLICABLE MUST REMAIN WITHIN DIMENSIONS	SEE CHART	APPROVED BY LSTICKEIR	DATE 2007/11/07	MOLEX INCORPORATED	
		MATERIAL NO.		DOCUMENT NO. SD-64324-001	SHEET NO. 1 OF 1