

**PLEASE CHECK WWW.MOLEX.COM FOR LATEST PART INFORMATION**

**Part Number:** [0598340250](#)  
**Status:** **Active**  
**Description:** Insulation Cap, Wire Insulation Diameter 5.20mm (.205")

**Documents:**

[Drawing \(PDF\)](#) [RoHS Certificate of Compliance \(PDF\)](#)

**General**

Product Family	Accessories
Series	<a href="#">59834</a>
Component Type	Cap
Product Name	N/A

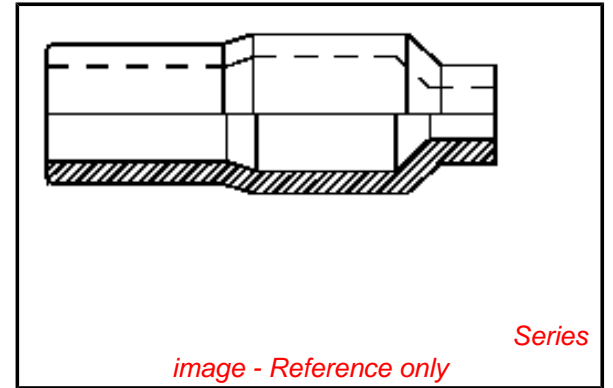
**Physical**

Circuits (Loaded)	N/A
Packaging Type	Bag

**Material Info**

**Reference - Drawing Numbers**

Sales Drawing	SD-59834-001
---------------	--------------



<b>EU RoHS</b>	<b>China RoHS</b>
----------------	-------------------

**Compliance Status**

**Not Reviewed**

**REACH SVHC**

**Not Reviewed**

**Halogen-Free**

**Status**

**Not Reviewed**

**Need more information on product environmental compliance?**

Email [productcompliance@molex.com](mailto:productcompliance@molex.com)  
 For a multiple part number RoHS Certificate of Compliance, [click here](#)

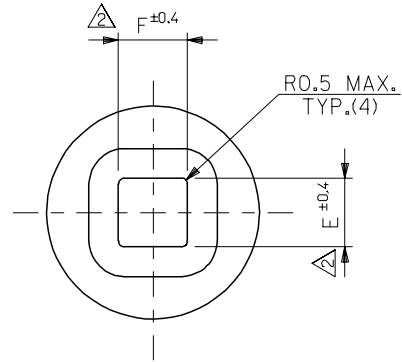
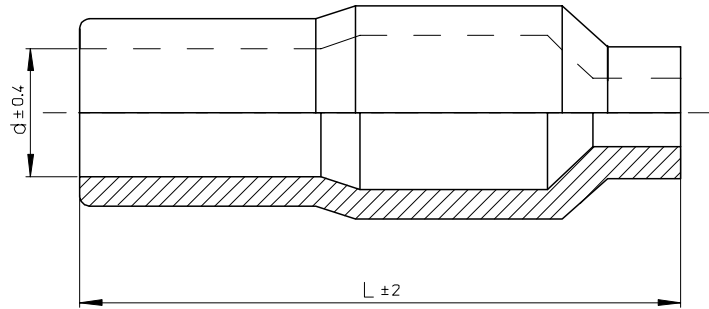
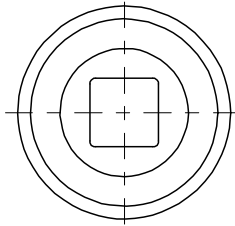
Please visit the [Contact Us](#) section for any non-product compliance questions.

**Search Parts in this Series**

[59834Series](#)

**Use With**

[50896-0550](#) Wire Pin



**注記 NOTES**

1 材料 MATERIAL  
強化ビニル(軟質) PVC (SOFT TYPE)

△ CA-1.25, 2のみ、形状は丸。  
FIGURE : CIRCLE (ABOUT CA-1.25 ,2)

6.9	6.9	58	12	CA-38	59834-0650
6.5	6.5	50	10	CA-22	↑ -0550
4.5	4.5	37	8.5	CA-14	↑ -0450
3.5	3.5	30.5	6.5	CA-8	↑ -0350
2.2	2.2	22.5	5.2	CA-5.5	↓ -0250
∅1.8	∅1.8	16.5	3.2	CA-1.25 ,2	59834-0150
F	E	L	d	呼称 NOMINAL SIZE	ENG. NO.

RELEASED EC NO: J2007-2005 DRW:KITO 2007/03/27 CHK:KKASAHARA 2007/05/18 APPR:NUKITA 2007/05/21	GENERAL TOLERANCES (UNLESS SPECIFIED)		DIMENSION STYLE MM ONLY		SCALE ---	DESIGN UNITS METRIC	THIRD ANGLE PROJECTION
	10 UNDER	± ---	DRAWN BY KITO	DATE 2007/01/15	TITLE INSULATION CAP FOR A-TYPE		
	10 OVER 30 UNDER	± ---	CHECKED BY KKASAHARA	DATE 2007/01/15	MATERIAL NO. MOLEX INCORPORATED		
	30 OVER	± ---	APPROVED BY NUKITA	DATE 2007/01/15	DOCUMENT NO. SD-59834-001	SHEET NO. 1 OF 1	
	ANGULAR	± --- °	SEE CHART				
DRAFT WHERE APPLICABLE MUST REMAIN WITHIN DIMENSIONS		THIS DRAWING CONTAINS INFORMATION THAT IS PROPRIETARY TO MOLEX INCORPORATED AND SHOULD NOT BE USED WITHOUT WRITTEN PERMISSION					