

PLEASE CHECK WWW.MOLEX.COM FOR LATEST PART INFORMATION

Part Number: [0474961041](#)
Status: **Active**
Overview: [pogo_pins](#)
Description: 4.00mm (.157") Pitch Pogo Speaker Connector, Height: 2.90mm (.114"), 1.02µm (40µ") Gold (Au) over Nickel Plating, 2 Circuits

Documents:

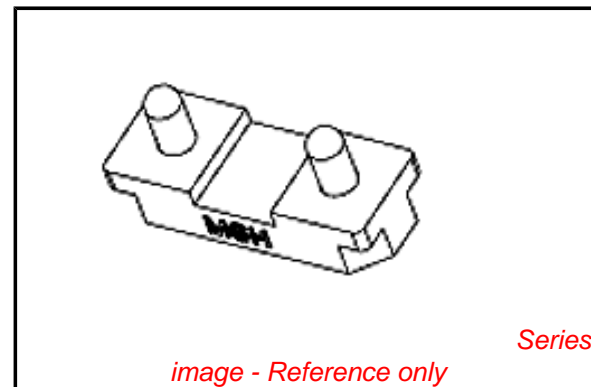
[3D Model](#) [Product Specification PS-47496-101 \(PDF\)](#)
[Drawing \(PDF\)](#) [RoHS Certificate of Compliance \(PDF\)](#)

General

Product Family	PCB Headers
Series	47496
Application	Board-to-Board
Comments	Action Heights: 2.30mm (.091"), 2.75mm (.108")
Overview	pogo_pins
Product Name	PoGo Pin

Physical

Breakaway	No
Circuits (Loaded)	2
Circuits (maximum)	2
Color - Resin	Black
Durability (mating cycles max)	2,000
First Mate / Last Break	No
Glow-Wire Compliant	No
Guide to Mating Part	No
Keying to Mating Part	None
Lock to Mating Part	None
Material - Metal	Copper, Piano wire
Material - Plating Mating	Gold
Material - Plating Termination	Gold
Material - Resin	High Temperature Thermoplastic
Number of Rows	1
Orientation	Vertical
PC Tail Length (in)	0.000 In
PC Tail Length (mm)	0.00 mm
PCB Locator	No
PCB Retention	Yes
PCB Thickness Recommended (in)	0.000 In
PCB Thickness Recommended (mm)	0.00 mm
Packaging Type	Embossed Tape on Reel
Pitch - Mating Interface (in)	0.157 In
Pitch - Mating Interface (mm)	4.00 mm
Pitch - Term. Interface (in)	0.157 In
Pitch - Term. Interface (mm)	4.00 mm
Plating min: Mating (µin)	40
Plating min: Mating (µm)	1.00
Plating min: Termination (µin)	40
Plating min: Termination (µm)	1.00
Polarized to Mating Part	No
Polarized to PCB	No
Shrouded	No
Stackable	No
Surface Mount Compatible (SMC)	No
Temperature Range - Operating	-40°C to +85°C



EU RoHS

RoHS Compliant by Exemption

REACH SVHC

Not Reviewed

Halogen-Free

Status

Not Reviewed

China RoHS



Pb

Need more information on product environmental compliance?

Email productcompliance@molex.com
 For a multiple part number RoHS Certificate of Compliance, [click here](#)

Please visit the [Contact Us](#) section for any non-product compliance questions.

Search Parts in this Series

[47496Series](#)

Termination Interface: Style Solder or Weld

Electrical

Current - Maximum per Contact 0.5A
Voltage - Maximum 12V DC

Solder Process Data

Duration at Max. Process Temperature (seconds) 48
Lead-free Process Capability Reflow Capable (SMT only)
Max. Cycles at Max. Process Temperature 1
Process Temperature max. C 250

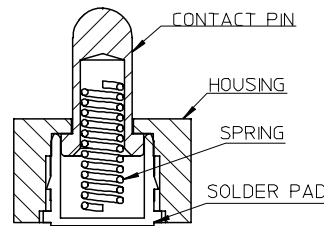
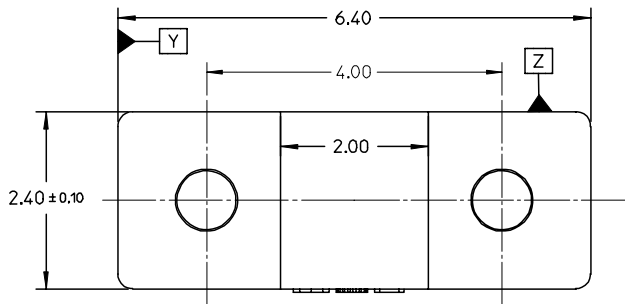
Material Info

Reference - Drawing Numbers

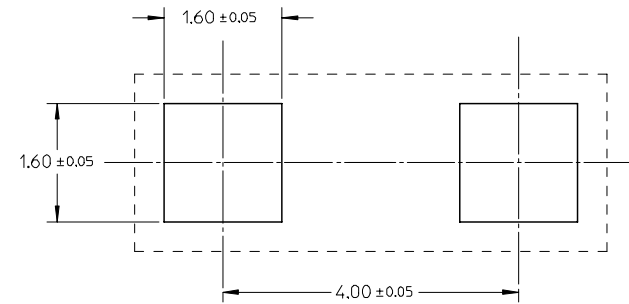
Packaging Specification PK-47496-101
Product Specification PS-47496-101
Sales Drawing SD-47496-101

This document was generated on 05/26/2010

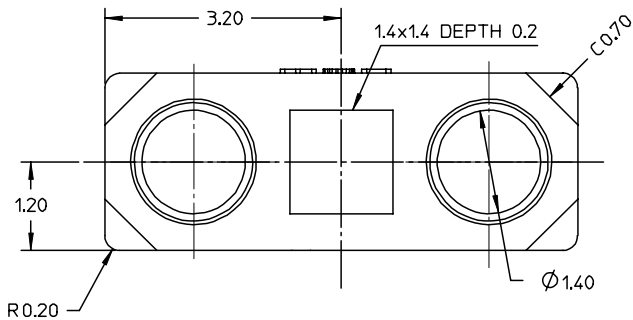
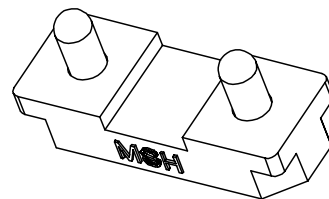
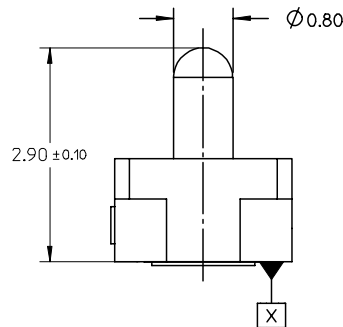
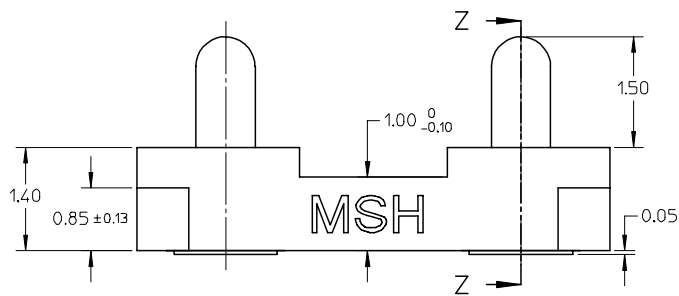
PLEASE CHECK WWW.MOLEX.COM FOR LATEST PART INFORMATION



SECTION Z-Z



RECOMMENDED PCB LAYOUT



NOTES:

1 MATERIAL:

- 1-1 PIN & SOLDER PAD : COPPER ALLOY
- 1-2 SPRING : SWP-B.PIANO WIRE OR EQUIVALENT
- 1-3 HOUSING :
 - 474961001 : NYLON 46, UL 94V-0, BLACK
 - 474961041 : NYLON 9T, UL 94V-0, MEDIUM GRAY

2 FINISH:

- SOLDER PAD : OVERALL 0.1 um MIN. GOLD OVER 1.27~2.25 um NICKEL
- SPRING : OVERALL 0.1 um MIN. GOLD OVER 1.27 um NICKEL

3 MECHANICAL SPECIFICATION:

- 3-1 SPRING FORCE:
 - 0.8N MIN @ 0.65mm DEFLECTION/PIN
 - 0.5N MIN @ 0.20mm DEFLECTION/PIN
- 3-2 MAX TRAVEL : 0.8 +/-0.05.
- 3-3 DURABILITY : 2,000 cycles

4 ELECTRICAL SPECIFICATION :

- 4-1 RATING VOLTAGE : 12V RMS
- 4-2 RATING CURRENT : 0.5A MAX.
- 4-3 CONTACT RESISTANCE : 200 mOhms MAX

474961001	4μ" GOLD PLATING OVER 50~90μ" NICKEL
474961041	40μ" GOLD PLATING OVER 120~200μ" NICKEL
PART NUMBER	PLATING FOR CONTACT PIN

CHANGE RAW MATERIAL OF HSG EC NO: SH2008-0046 DRWN: YANG13 CHKD: XU XIANG APPR: HWANG	2007/09/26 2007/09/26 2007/10/18	DESCRIPTION QUALITY SYMBOLS ▽=0 ◻=0	GENERAL TOLERANCES (UNLESS SPECIFIED)		DIMENSION STYLE MM ONLY		SCALE 20:1	DESIGN UNITS METRIC	THIRD ANGLE PROJECTION			
					DRAWN BY CYZHU		DATE 2006/09/13		TITLE ASSEMBLY 2 PIN POGO SPEAKER CONN.			
					CHECKED BY XIXU		DATE 2006/09/15					
					APPROVED BY JNCHEN		DATE 2006/09/15		MOLEX INCORPORATED			
		DRAFT WHERE APPLICABLE MUST REMAIN WITHIN DIMENSIONS		SEE TABLE		DOCUMENT NO. SD-47496-101		SHEET NO. 1 OF 1				