

**PLEASE CHECK WWW.MOLEX.COM FOR LATEST PART INFORMATION**

**Part Number:** [0473065005](#)  
**Status:** **Active**  
**Overview:** [serial\\_ata\\_products](#)  
**Description:** 1.27mm (.050") Pitch Serial ATA High Speed Header, Vertical, Surface Mount, with Locking Latches, 7 Circuits, 0.38µm (15µ") Gold (Au) Plating, Metal Post Length 2.65mm (.104"), with Mylar, Tape on Reel Package, Lead-free

**Documents:**

[3D Model](#) [Product Specification PS-67491-001 \(PDF\)](#)  
[Drawing \(PDF\)](#) [RoHS Certificate of Compliance \(PDF\)](#)

**Agency Certification**

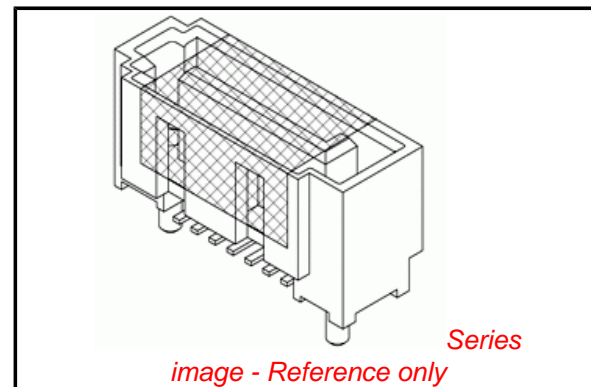
CSA LR 19980  
 UL E29179

**General**

Product Family PCB Headers  
 Series [47306](#)  
 Application Board-to-Board  
 Comments Staggered Solder Pin|Metal Post Length 2.65mm (.104")  
 Overview [serial\\_ata\\_products](#)  
 Product Name Serial ATA

**Physical**

Breakaway No  
 Circuits (Loaded) 7  
 Circuits (maximum) 7  
 Color - Resin Black  
 Durability (mating cycles max) 50  
 First Mate / Last Break Yes  
 Flammability 94V-0  
 Glow-Wire Compliant No  
 Guide to Mating Part Yes  
 Keying to Mating Part Yes  
 Lock to Mating Part Yes  
 Mated Height (in) 0.331 In  
 Mated Height (mm) 8.40 mm  
 Material - Metal Brass  
 Material - Plating Mating Gold  
 Material - Plating Termination Tin  
 Material - Resin High Temperature Thermoplastic  
 Number of Rows 1  
 Orientation Vertical  
 PCB Locator Yes  
 PCB Retention Yes  
 Packaging Type Embossed Tape on Reel  
 Pitch - Mating Interface (in) 0.050 In  
 Pitch - Mating Interface (mm) 1.27 mm  
 Pitch - Term. Interface (in) 0.050 In  
 Pitch - Term. Interface (mm) 1.27 mm  
 Plating min: Mating (µin) 15  
 Plating min: Mating (µm) 0.38  
 Plating min: Termination (µin) 50  
 Plating min: Termination (µm) 1.27  
 Polarized to Mating Part Yes  
 Polarized to PCB Yes



**EU RoHS**

**ELV and RoHS Compliant**  
**REACH SVHC Contains SVHC: No**  
**Halogen-Free Status**

**China RoHS**



**Need more information on product environmental compliance?**

Email [productcompliance@molex.com](mailto:productcompliance@molex.com)  
 For a multiple part number RoHS Certificate of Compliance, [click here](#)

Please visit the [Contact Us](#) section for any non-product compliance questions.

**Search Parts in this Series**

[47306Series](#)

Robotic Placement	Vacuum Pick-Up Tape
Shrouded	Fully
Stackable	No
Temperature Range - Operating	-35°C to +85°C
Termination Interface: Style	Surface Mount

**Electrical**

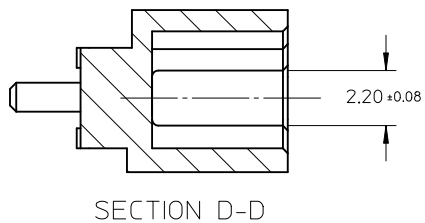
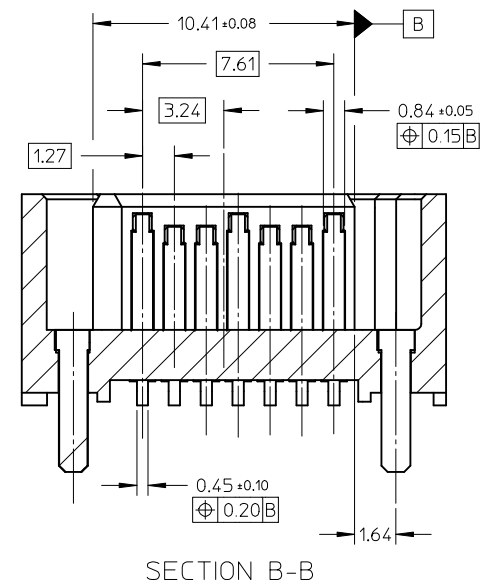
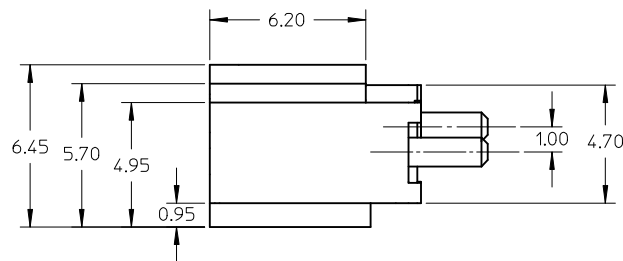
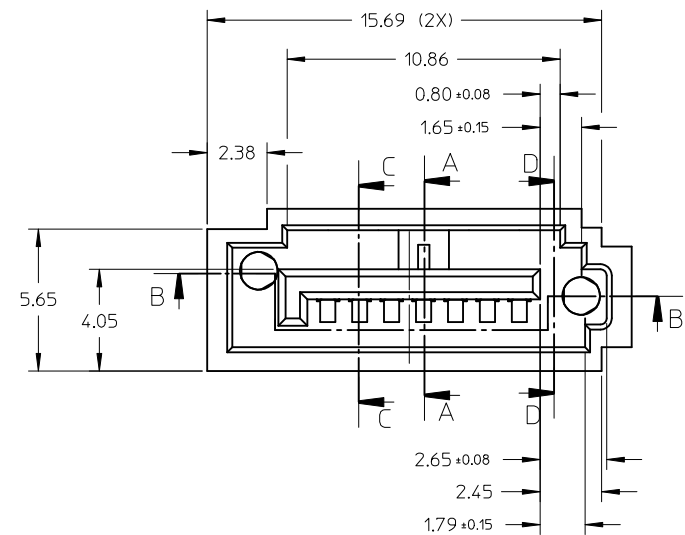
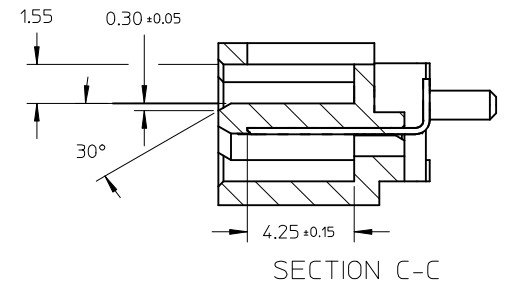
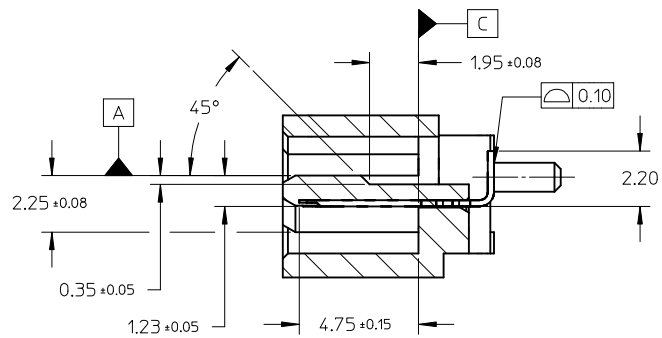
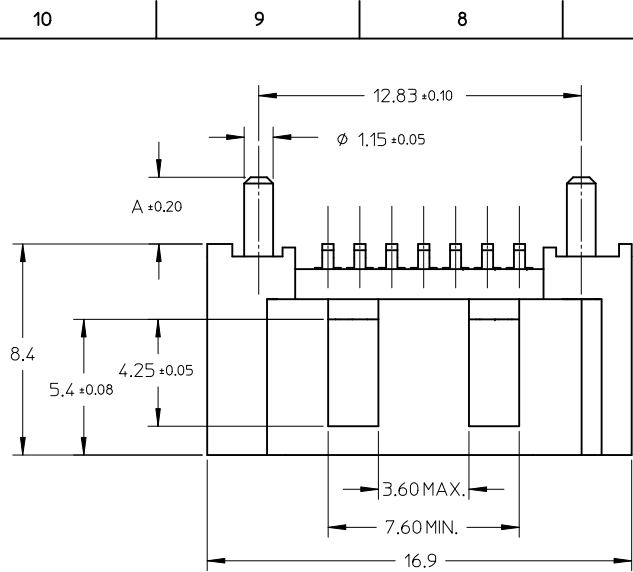
Current - Maximum per Contact	1.5A
Voltage - Maximum	15V DC

**Material Info****Reference - Drawing Numbers**

Packaging Specification	PK-47306-001
Product Specification	PS-67491-001
Sales Drawing	SD-47306-001

This document was generated on 05/26/2010

**PLEASE CHECK [WWW.MOLEX.COM](http://WWW.MOLEX.COM) FOR LATEST PART INFORMATION**



<b>ADD PART NUMBER</b> EC NO: SH2010-0232 DRWN: XJ SONG CHKD: XJ SONG APPR: RZHANG	<b>QUALITY SYMBOLS</b> ▽ = 0 ◻ = 0	<b>GENERAL TOLERANCES (UNLESS SPECIFIED)</b>		<b>DIMENSION STYLE</b> MM ONLY	<b>SCALE</b> 5:1	<b>DESIGN UNITS</b> METRIC	THIRD ANGLE PROJECTION		
		4 PLACES ± --- ± --- 3 PLACES ± --- ± --- 2 PLACES ± 0.15 ± --- 1 PLACE ± 0.25 ± ---	mm    INCH	DRAWN BY JENNY	DATE 2005/07/22	<b>TITLE</b> HIGH SPEED CONNECTOR 1.27MM PITCH VERTICAL SMT SOLDER TAIL			
		ANGULAR ± 1 °		CHECKED BY GRMA	DATE 2005/07/22	<b>MOLEX INCORPORATED</b>			
		DRAFT WHERE APPLICABLE MUST REMAIN WITHIN DIMENSIONS		APPROVED BY YAP	DATE 2005/07/22	MATERIAL NO. <b>SEE SHEET 2</b>	DOCUMENT NO. SD-47306-001	SHEET NO. 1 OF 2	
THIS DRAWING CONTAINS INFORMATION THAT IS PROPRIETARY TO MOLEX INCORPORATED AND SHOULD NOT BE USED WITHOUT WRITTEN PERMISSION									

10 9 8 7 6 5 4 3 2 1

NOTES:

1. MATERIAL:

HOUSING: HIGH TEMPERATURE THERMAL PLASTIC, GLASS FILLED,  
UL94V-0, COLOR: BLACK

TERMINAL: BRASS

POST: BRASS

2. TERMINAL PLATING:

CONTACT AREA: (a) GOLD FLASH

(b) GOLD, THICKNESS=0.76 MICRON MINIMUM

(c) GOLD, THICKNESS=0.38 MICRON MINIMUM

SOLDER TAIL: TIN, THICKNESS=1.27 MICRON MINIMUM

UNDER PLATE: NICKEL, THICKNESS=1.27 MICRON MINIMUM

3. POST PLATING: UNDER PLATE: NICKEL, THICKNESS=1.25 MICRON MINIMUM

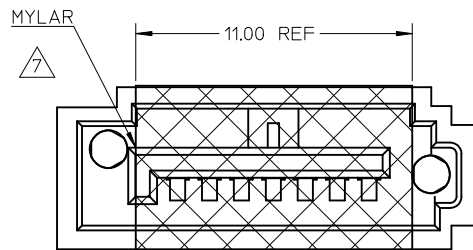
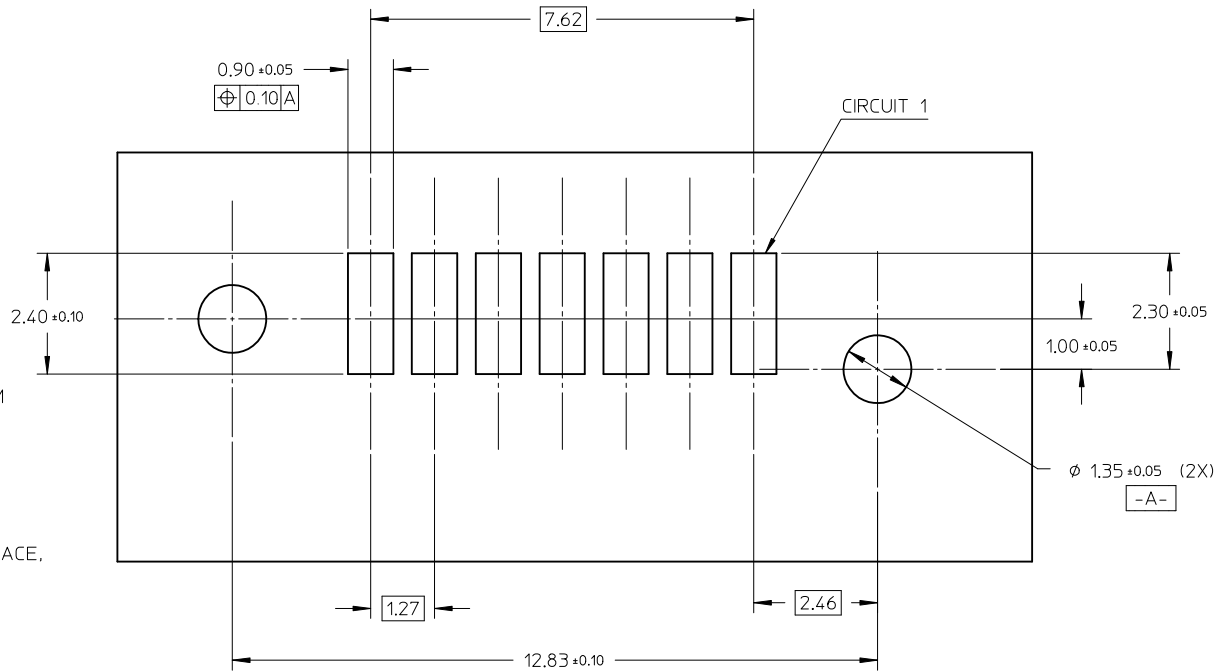
TIN, THICKNESS=1.9 MICRON MINIMUM OVER ALL

4. PACKAGING: TAPE REEL

5. PRODUCT SPECIFICATION REFER TO PS-67491-001

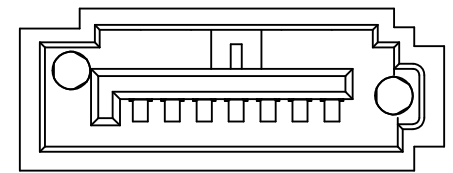
6. RECOMMENDED SOLDERING PROCESS: IR PROCESS

7. THE MYLAR STICKED ON THE HOUSING IS JUST USED FOR PICK-UP PLACE,  
PLEASE REMOVE IT AFTER REFLOW



WITH MYLAR TYPE

RECOMMENDED P.C.B LAYOUT  
CONNECTOR SIDE



WITHOUT MYLAR TYPE

473062105	SEE NOTE2(c)	2.65	WITHOUT	PK-47306-002
473062102	SEE NOTE2(b)			
473062101	SEE NOTE2(a)			
473065025	SEE NOTE2(c)	3.45	WITH	PK-47306-001
473065022	SEE NOTE2(b)			
473065021	SEE NOTE2(a)			
473065015	SEE NOTE2(c)			
473065012	SEE NOTE2(b)			
473065011	SEE NOTE2(a)	3.05	WITH	PK-47306-001
473065005	SEE NOTE2(c)			
473065002	SEE NOTE2(b)	2.65	WITH	PK-47306-001
473065001	SEE NOTE2(a)			
473062025	SEE NOTE2(c)	3.45	WITHOUT	PK-47306-001
473062022	SEE NOTE2(b)			
473062021	SEE NOTE2(a)			
473062015	SEE NOTE2(c)			
473062012	SEE NOTE2(b)			
473062011	SEE NOTE2(a)	3.05	WITHOUT	PK-47306-001
473062005	SEE NOTE2(c)			
473062002	SEE NOTE2(b)			
473062001	SEE NOTE2(a)	2.65	WITHOUT	PK-47306-001
MATERIAL NO	PLATING TYPE	DIM A	MYLAR	PACKING

SEE SHEET1 EC NO: SH2010-0232 DRW: XJ.SONG 2010/01/07 CHK: XJ.SONG 2010/01/11 APPR: RZHANG 2010/01/14	QUALITY SYMBOLS ▽=0 ◻=0	GENERAL TOLERANCES (UNLESS SPECIFIED)		DIMENSION STYLE MM ONLY		SCALE 5:1	DESIGN UNITS METRIC	THIRD ANGLE PROJECTION		
		4 PLACES ± --- ± ---	3 PLACES ± --- ± ---	2 PLACES ± 0.15 ± ---	1 PLACE ± 0.25 ± ---	DRAWN BY JENNY	DATE 2005/07/22	TITLE HIGH SPEED CONNECTOR 1.27MM PITCH VERTICAL SMT SOLDER TAIL		
		ANGULAR ± 1°				CHECKED BY GRMA	DATE 2005/07/22	MOLEX INCORPORATED		
		DRAFT WHERE APPLICABLE MUST REMAIN WITHIN DIMENSIONS				APPROVED BY YAP	DATE 2005/07/22	MATERIAL NO. SEE TABLE	DOCUMENT NO. SD-47306-001	SHEET NO. 2 OF 2
				SIZE A3	THIS DRAWING CONTAINS INFORMATION THAT IS PROPRIETARY TO MOLEX INCORPORATED AND SHOULD NOT BE USED WITHOUT WRITTEN PERMISSION					

9 8 7 6 5 4 3 2 1