

PLEASE CHECK WWW.MOLEX.COM FOR LATEST PART INFORMATION

Part Number: [0357491460](#)
Status: **Active**
Description: Spade Tongue Terminal for 18-20 AWG (0.05~0.13mm²), Stud Size 5-6 M3-3.5, Pre Ni Plated

Documents:

[Drawing \(PDF\)](#) [RoHS Certificate of Compliance \(PDF\)](#)
[Product Specification PS-35749-001 \(PDF\)](#)

General

Product Family	Ring and Spade Terminals
Series	35749
Crimp Quality Equipment	Yes
Mil-Spec	N/A
Product Name	N/A
Type	Spade

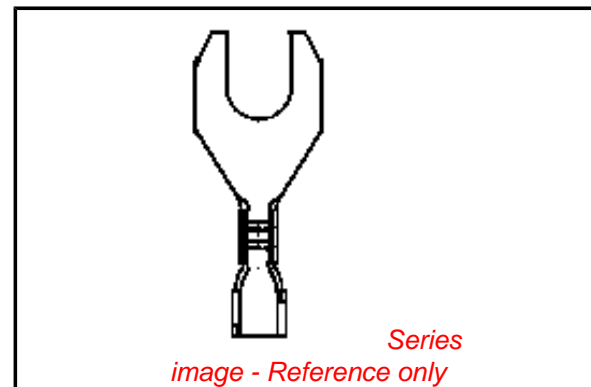
Physical

Barrel Type	Open
Insulation	None
Material - Plating Mating	Tin
Packaging Type	Reel
Stud Size	5-6 (M3-3.5)
Wire Insulation Diameter	3.20mm (.126") max.
Wire Size AWG	18, 20, N/A
Wire Size mm ²	0.05 - 0.13

Material Info

Reference - Drawing Numbers

Product Specification	PS-35749-001
Sales Drawing	SD-35749-14*0



EU RoHS

ELV and RoHS Compliant
REACH SVHC
Contains SVHC: No
Halogen-Free Status

China RoHS



Need more information on product environmental compliance?

Email productcompliance@molex.com
 For a multiple part number RoHS Certificate of Compliance, [click here](#)

Please visit the [Contact Us](#) section for any non-product compliance questions.

Search Parts in this Series
[35749Series](#)

DWG. 10.

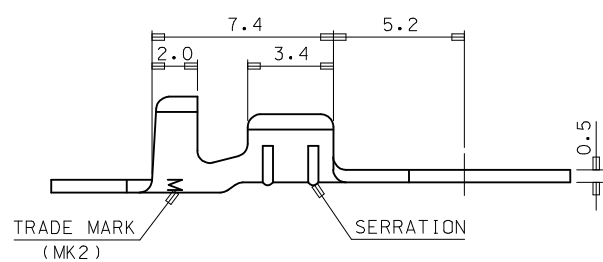
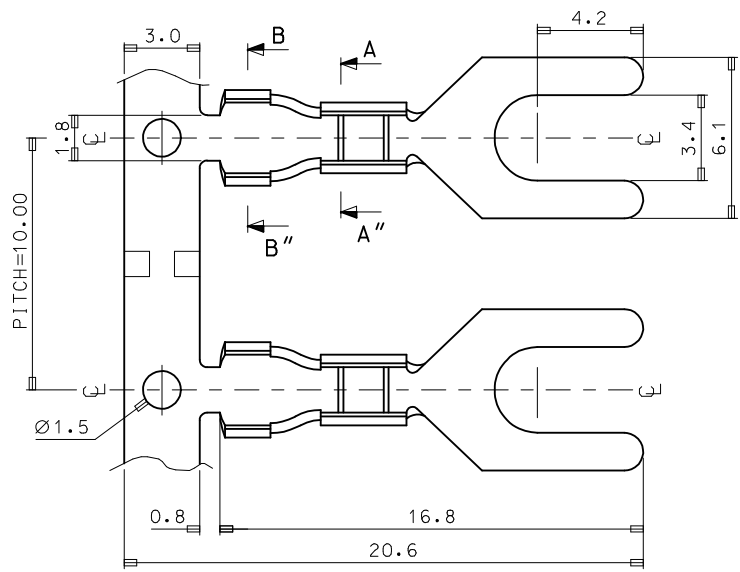
SIMILAR ITEM

PROJECT NO.

C

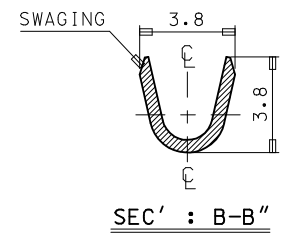
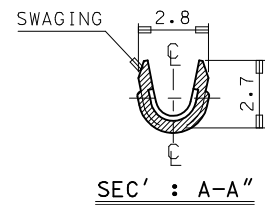
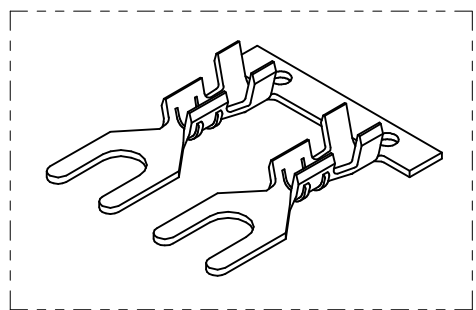
B

DO NOT SCALE DRAWING
DIMENSION IN METRIC



NOTES

- 1. MATERIAL : BRASS , 0.5mm THICKNESS
- 2. FINISH : 35749-1400 (UNPLATED)
35749-1460 (POST-PLATED Ni)
- 3. APPLICABLE WIRE RANGE : AWG #20-#18
- 4. RECOMMENDED LENGTH OF WIRE STRIP IS 4.4-5.0 mm.



REVISED	EC NO. KOR2000-0061 DRWN: W.Y. YANG 00/08/14 CHK: APPR:	DESCRIPTION	QUALITY SYMBOLS MAJOR $\nabla = 0$ CRITICAL $\nabla C = 0$	GENERAL TOLERANCES: (UNLESS SPECIFIED)		SCALE 5:1	DESIGN UNITS <input checked="" type="checkbox"/> mm <input type="checkbox"/> INCH	THIRD ANGLE PROJECTION	DIMENSIONS: <input type="checkbox"/> mm <input type="checkbox"/> INCH <input checked="" type="checkbox"/> mm ONLY		SHT	REV	
				4 PLACES $\pm 0.$	3 PLACES $\pm 0.$	2 PLACES ± 0.30	1 PLACE ± 0.30		mm	INCH	mm	ONLY	REVISIONS CAD ONLY
C	REV					DRAWN BY & DATE J.S.KANG 93/08/27	TITLE: SPADE TERMINAL (S/A)		MOLEX INCORPORATED KOREA				
						APPROVED BY & DATE C.W.LEE 93/08/27	CAD FILENAME S7491460.DGN	MATERIAL NO. SEE NOTES	DRAWING NO. SD-35749-14*0	SHEET NO. 1 OF 1	SIZE B		
DRAFT WHERE APPLICABLE MUST REMAIN WITHIN DIMENSIONS						THIS DRAWING CONTAINS INFORMATION THAT IS PROPRIETARY TO MOLEX INCORPORATED AND SHOULD NOT BE USED WITHOUT WRITTEN PERMISSION.							