



TAI-SAW TECHNOLOGY CO., LTD.

No. 3, Industrial 2nd Rd., Ping-Chen Industrial District,
Taoyuan, 324, Taiwan, R.O.C.

TEL: 886-3-4690038 FAX: 886-3-4697532

E-mail: tstsales@mail.taisaw.com Web: www.taisaw.com

Approval Sheet For Product Specification

Issued Date: Jun, 29, 2007

Product Name: SAW Filter 1972.5 MHz SMD 3.0X3.0 mm

TST Parts No.: TA0711A

Customer Parts No.: _____

Company: _____
Division: _____
Approved by : _____
Date: _____

Checked by: _____ Bob Chau

Approval by: _____ Francis Chen

Date: _____ 6, 29, 2007



TAI-SAW TECHNOLOGY CO., LTD.

No. 3, Industrial 2nd Rd., Ping-Chen Industrial District,
Taoyuan, 324, Taiwan, R.O.C.

TEL: 886-3-4690038 FAX: 886-3-4697532

E-mail: tstsales@mail.taisaw.com Web: www.taisaw.com

SAW Filter 1972.5 MHz

MODEL NO.:TA0711A

REV. NO.:1

A. MAXIMUM RATING:

1. Input Power Level: 10 dBm
2. DC Voltage : 3V
3. Operating Temperature: -20°C to +75°C
4. Storage Temperature: -40°C to +85°C

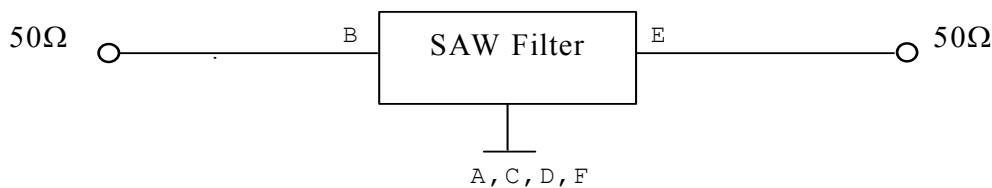
RoHS Compliant
Lead free
Lead-free soldering

B. ELECTRICAL CHARACTERISTICS:

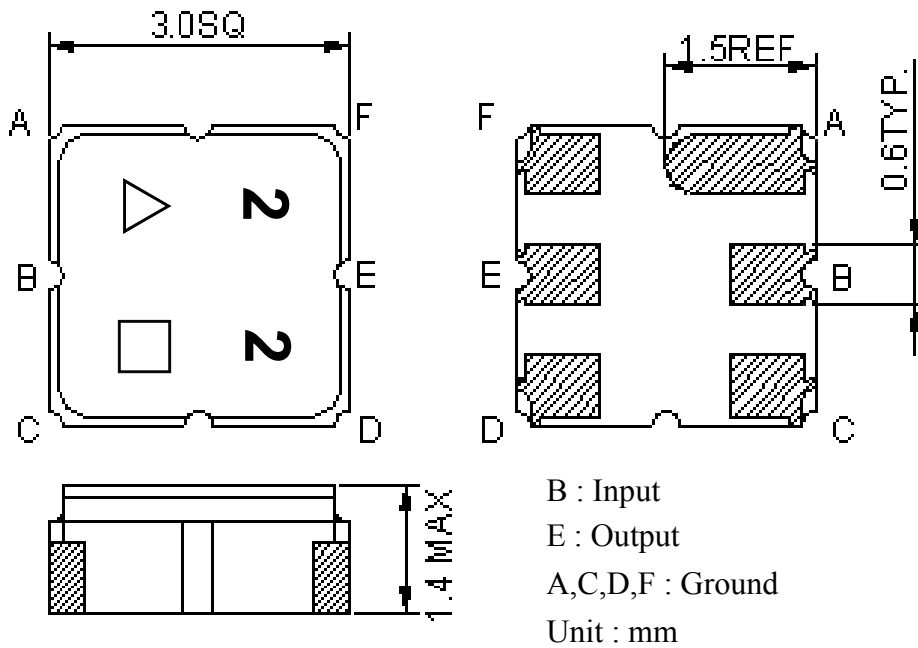
Item	Unit	Min.	Type.	Max.	Note
Center Frequency Fc	MHz	-	1972.5	-	-
Insertion Loss (1965 ~ 1980 MHz) IL	dB	-	1.8	4	-
Amplitude Ripple (1965 ~ 1980 MHz)	dB	-	0.2	2	-
Group Delay Ripple (1965 ~ 1980 MHz)	ns	-	4	16	-
VSWR (1965 ~ 1980 MHz)		-	1.2	2	-
Attenuation (Reference level from 0 dB)					
D.C. ~ 1785 MHz	dB	30	34.5	-	-
1785 ~ 1895 MHz	dB	34	37	-	-
2040 ~ 2140 MHz	dB	35	42.5	-	-
2140 ~ 3245 MHz	dB	36	46	-	-
3245 ~ 4000 MHz	dB	30	32	-	-

C. MEASUREMENT CIRCUIT:

HP Network analyzer



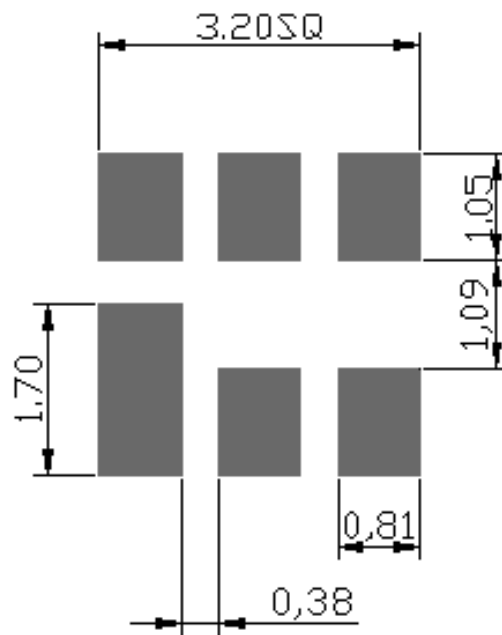
D.OUTLINE DRAWING:



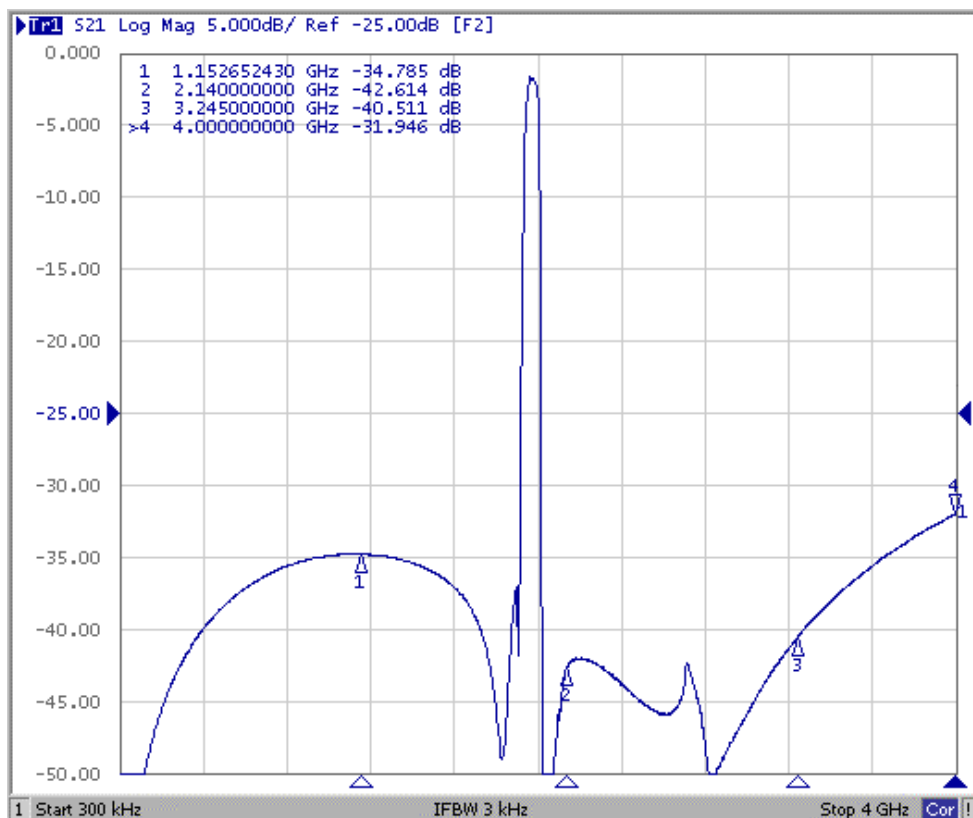
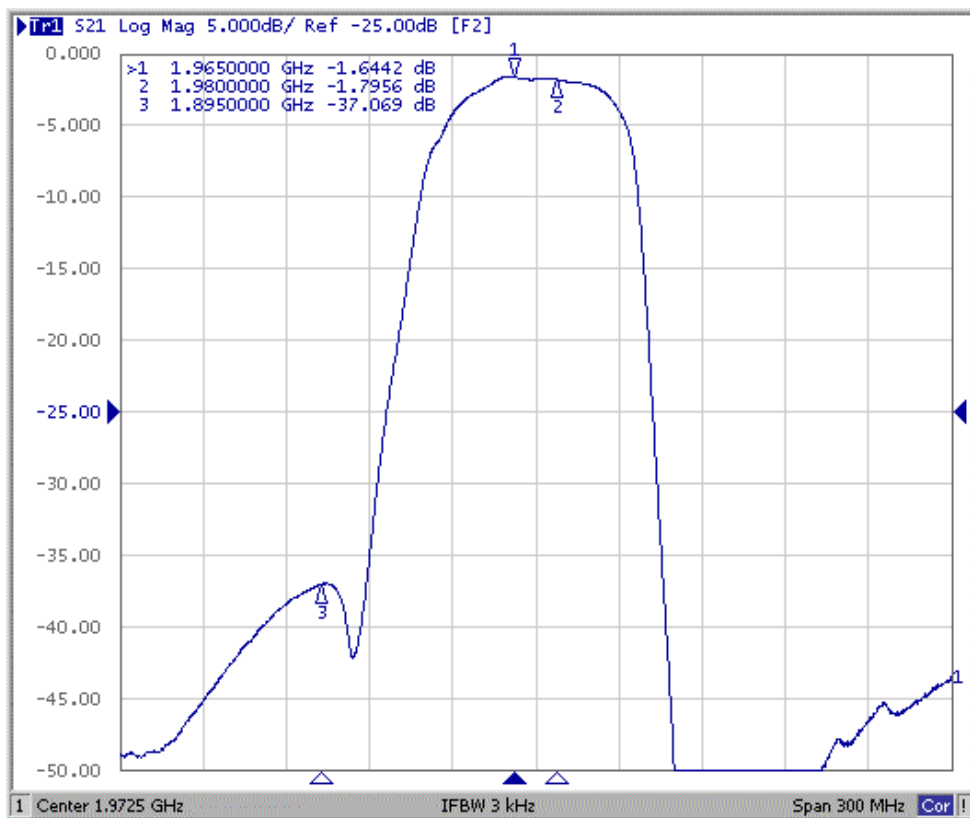
△ : Year Code (2006->6, ..., 2009->9)

□ : Date Code (Follow the table from planner each year)

E. PCB Footprint:

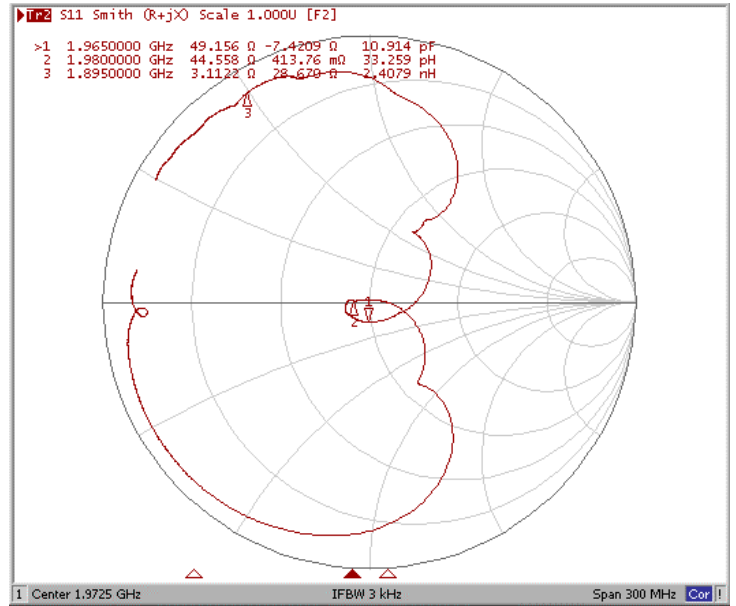
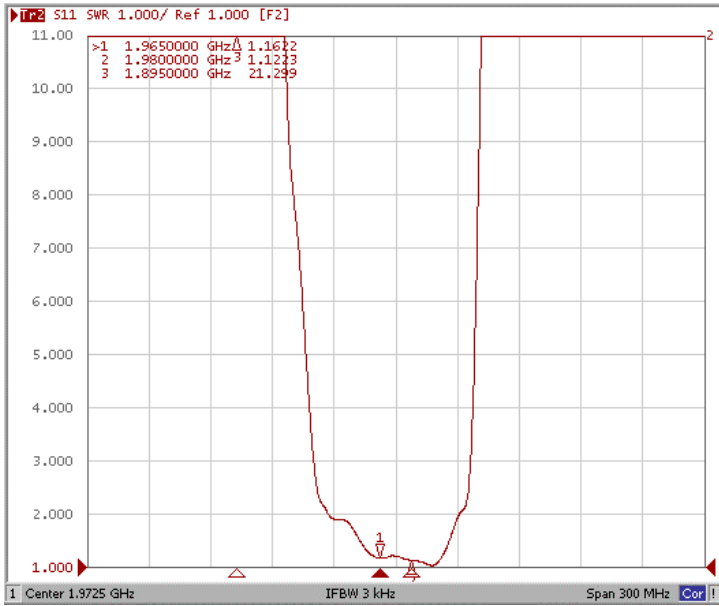


F. Frequency Characteristics :

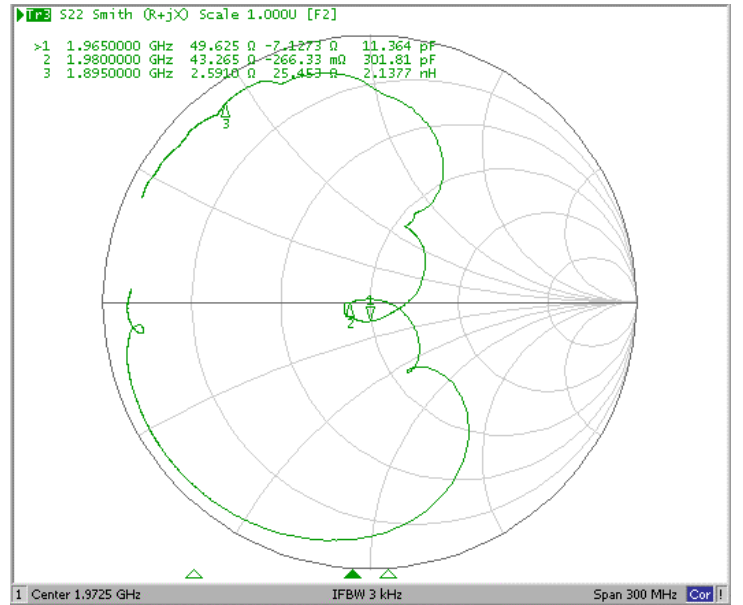
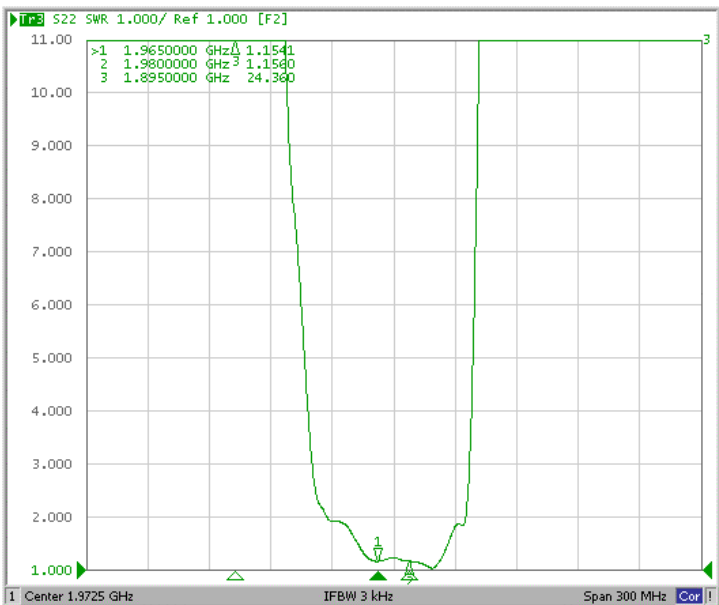


Reflection Functions :

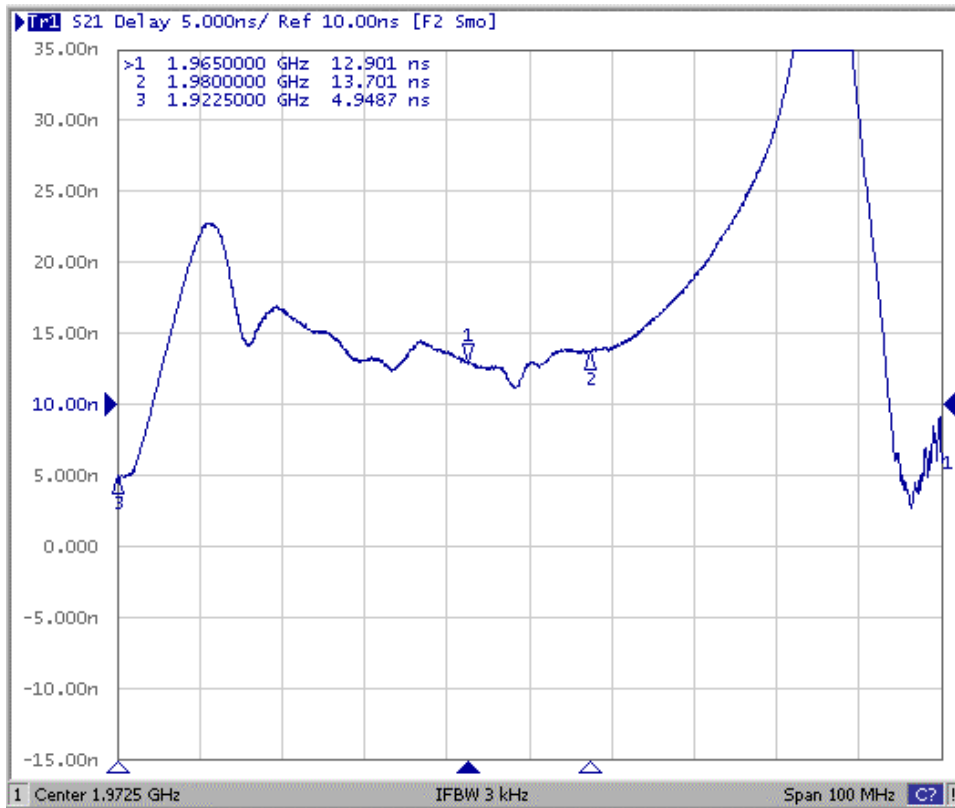
S11



S22



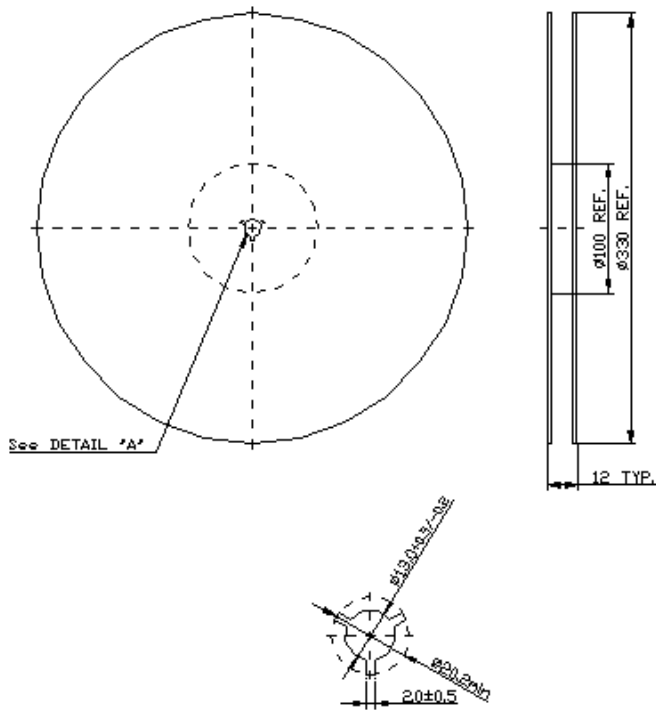
Group Delay :



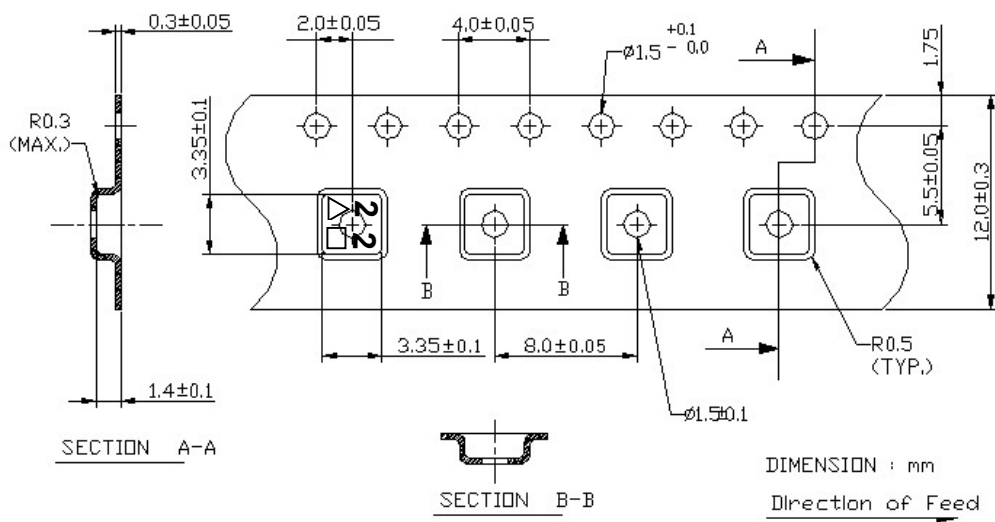
G. PACKING:

1. REEL DIMENSION

(Reel Count : 7"=1000 ; 13"=3000)



2. TAPE DIMENSION



H. RECOMMENDED REFLOW PROFILE :

