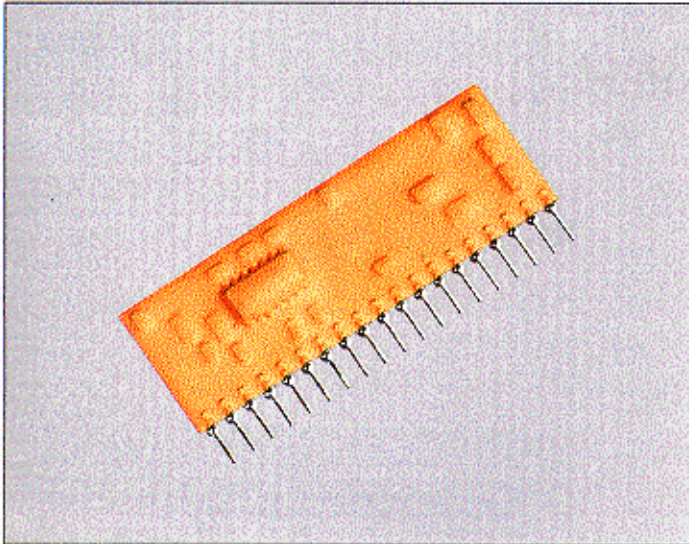




SP3

Balanced input microphone preamplifier with tone controls



General description

The SP3 is a high performance balanced input microphone preamplifier with treble, bass and middle controls.

Led driver integrated (peak signal).

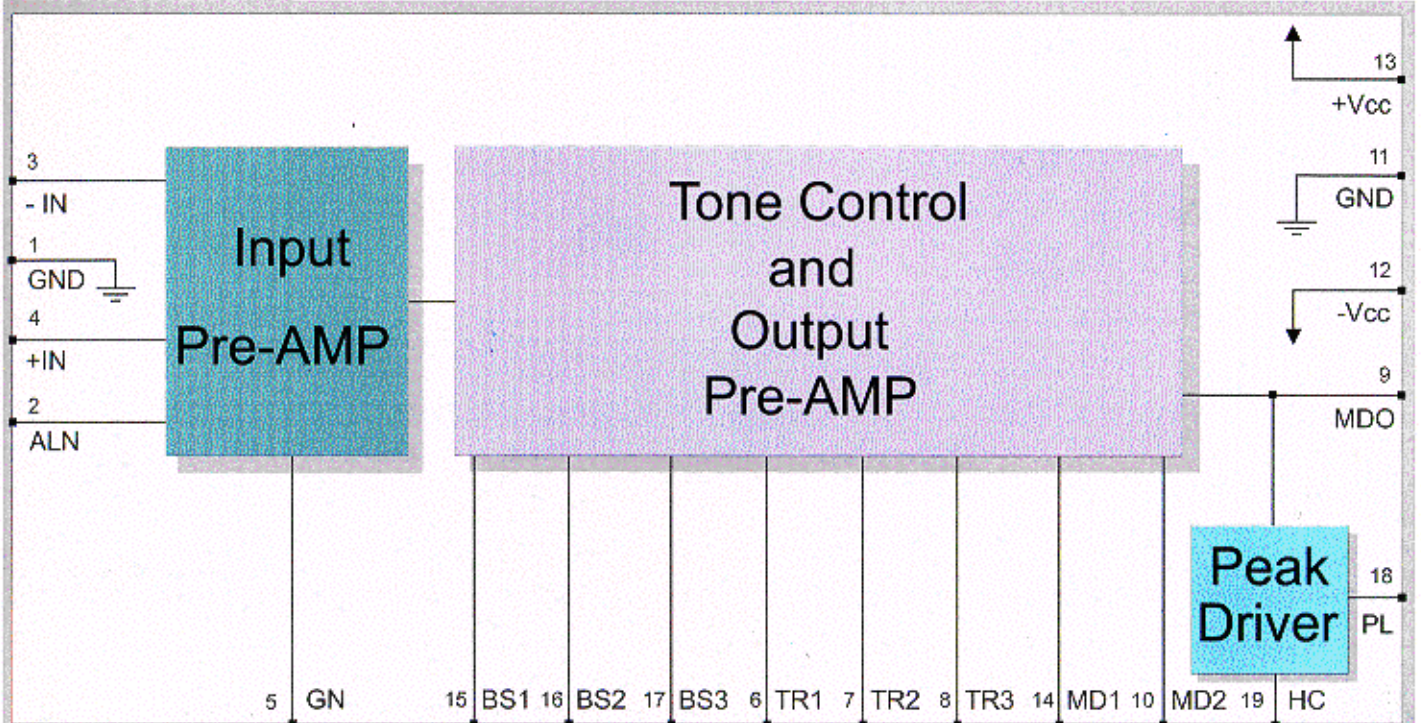
Features

- Few external components
- Auxiliary line input
- Output for gain control
- SIL Package
- Thick film hybrid technology

Applications

- Audio Mixer
- Hi-Fi Systems
- Karaoke Systems
- Theatre and P. A. Equipments

BLOCK DIAGRAM



Electrical Characteristics

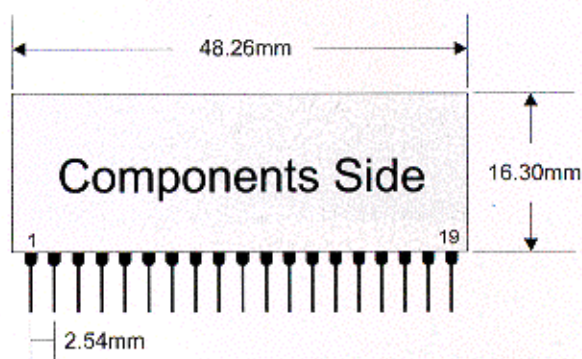
T_a = 25°C unless otherwise specified

CHARACTERISTICS		MIN	TYP	MAX	UNIT
V _{CC}	Supply Voltage	±9	±12	±18	VDC
T _c	Tone control		±16		dB
V _i	AF input signal			250	mVRMS
L _i	Line Input		±0		dB
T _{op}	Operating Temperature Range	-20		+80	°C

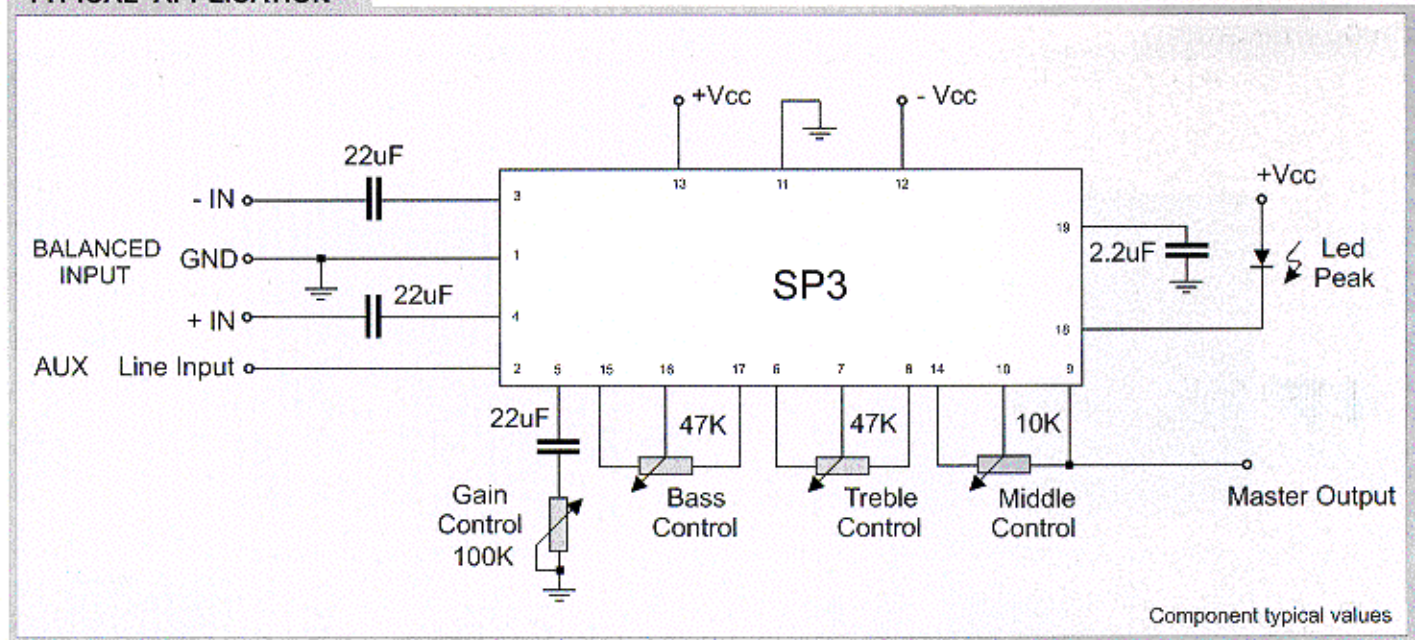
Pin Description

1	GND	Ground
2	ALN	Auxiliary Line Input
3	- IN	Input -
4	+IN	Input +
5	GN	Gain Control
6	TR1	Treble
7	TR2	Treble
8	TR3	Treble
9	MDO	Middle Output
10	MD2	Middle
11	GND	Ground
12	-VCC	Negative supply voltage
13	+VCC	Positive supply voltage
14	MD1	Middle
15	BS1	Bass
16	BS2	Bass
17	BS3	Bass
18	PL	Peak Led
19	HC	Hold Capacitor

Mechanical Dimensions



TYPICAL APPLICATION



R. F. Solutions Ltd.,
Unit 21, Cliffe Industrial Estate,
South Street,
Lewes,
E Sussex, BN8 6JL. England.

Tel +44 (0)1273 898 000. Fax +44 (0)1273 480 661.

Email sales@rfsolutions.co.uk <http://www.rfsolutions.co.uk>

RF Solutions is a member of the Low Power Radio Association.