

PLEASE CHECK WWW.MOLEX.COM FOR LATEST PART INFORMATION

Part Number: **0192020055**
Status: **Active**
Description: NylaKrimp™ Butt Splice for 6 AWG Wire

Documents:

[Drawing \(PDF\)](#) [RoHS Certificate of Compliance \(PDF\)](#)

General

Product Family	Splices
Series	<u>19202</u>
Crimp Quality Equipment	Yes
Mil-Spec	N/A
Product Name	Butt, NylaKrimp™

Physical

Barrel Type	Closed - Brazed
Insulation	Nylon (PA)
Packaging Type	Bag
Temperature Range - Operating	-55°C to +105°C
Wire Insulation Diameter	8.76mm (.345") max
Wire Size AWG	6
Wire Size mm²	16.00

Electrical

Voltage - Maximum	300V
-------------------	------

Material Info

Old Part Number	E-762
-----------------	-------

Reference - Drawing Numbers

Sales Drawing	CD71003
---------------	---------

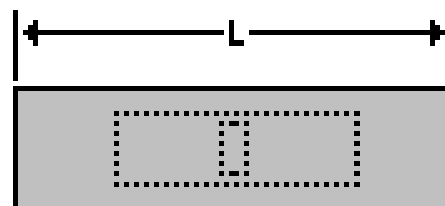


image - Reference only

Series

EU RoHS

**ELV and RoHS
Compliant**

REACH SVHC

Not Reviewed

Halogen-Free

Status

Not Reviewed

China RoHS



**Need more information on product
environmental compliance?**

Email productcompliance@molex.com
 For a multiple part number RoHS Certificate of Compliance, [click here](#)

Please visit the [Contact Us](#) section for any non-product compliance questions.

Search Parts in this Series

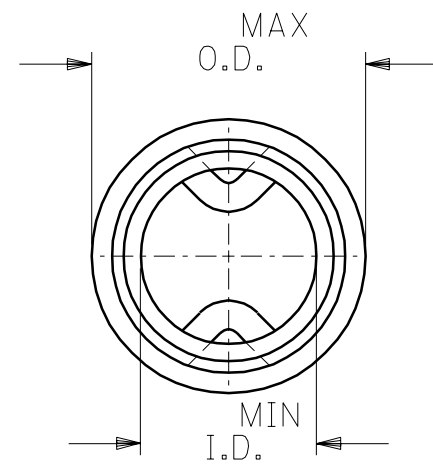
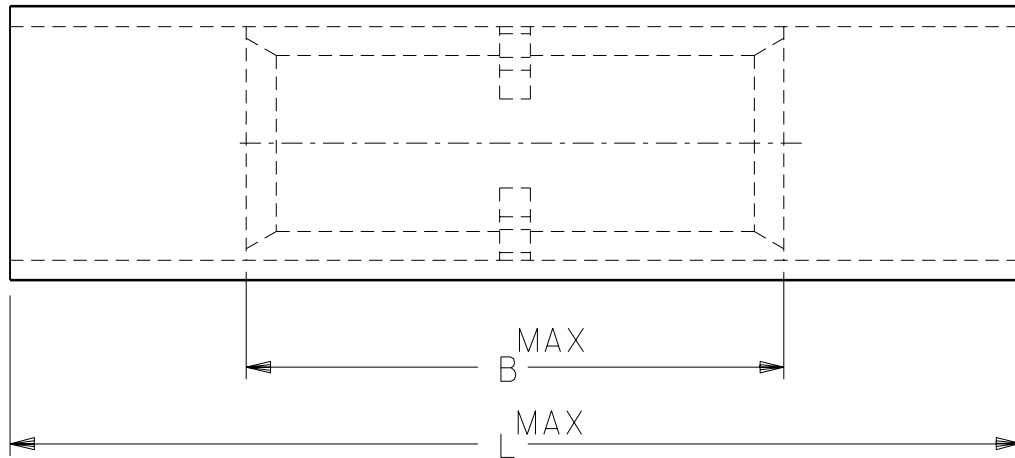
19202Series

Application Tooling | FAQ

Tooling specifications and manuals are found by selecting the products below. Crimp Height Specifications are then contained in the Application Tooling Specification document.

Global

Description	Product #
Putt Pump Dieless Head System	<u>0192860065</u>
Manual Putt Pump Hydraulic System, Die set required	<u>0192860117</u>
Die Set (large) for the HHLS Hydraulic Crimper	<u>0192890004</u>
Hand Crimp Tool	<u>0640013900</u>



PART NO.	WIRE SIZE	INSULATION COLOR	MAX. WIRE INSUL. DIA.	"B" MAX.	"L" MAX.	"I.D." MIN.	"O.D." MAX.
D-754	8	RED	.265	.864	1.473	.165	.395
E-762	6	BLUE	.342	1.045	1.785	.230	.480
F-764	4	YELLOW	.429	1.155	2.035	.277	.579
G-772	2	RED	.509	1.280	2.285	.357	.660
H-783	1/0	BLUE	.590	1.440	2.673	.439	.762
J-788	2/0	YELLOW	.670	1.440	2.727	.496	.838
K-793	3/0	RED	.750	1.540	3.045	.554	.922
L-778	4/0	BLUE	.830	1.540	3.045	.621	1.028

DIMENSIONS SHOWN (METRIC) INCH
UNLESS OTHERWISE SPECIFIED
TOLERANCES: ANGULAR ± 1/2°

REVISE ONLY ON CAD SYSTEM

NYLAKRIMP
BUTT CONNECTORS

3 PLACE	±	±
2 PLACE	±	±
1 PLACE	±	±
DRWG. BY	CHK'D. BY	FP
APP'D. BY	SCALE	NO: NE

ETC INC.
 PINELLAS PARK, FLA. 33781 U.S.A.
 SHEET NO. DATE
 12 / 14 / 94
 PART NO. DRWG. NO.
SEE TABLE CD-71003
 FILE NAME THIS DRAWING CONTAINS INFORMATION THAT IS PROPRIETARY TO MOLEX-ETC INC. AND SHOULD NOT BE USED WITHOUT WRITTEN PERMISSION. DIV. SIZE
 CD71003 A