

# Intel<sup>®</sup> I/O Controller Hub 7 (ICH7) Family

## Datasheet

---

— For the Intel<sup>®</sup> 82801GB ICH7, 82801GR ICH7R, 82801GDH ICH7DH, 82801GBM ICH7-M, 82801GHM ICH7-M DH, and 82801GU ICH7-U I/O Controller Hubs

*April 2007*



INFORMATION IN THIS DOCUMENT IS PROVIDED IN CONNECTION WITH INTEL® PRODUCTS. NO LICENSE, EXPRESS OR IMPLIED, BY ESTOPPEL OR OTHERWISE, TO ANY INTELLECTUAL PROPERTY RIGHTS IS GRANTED BY THIS DOCUMENT. EXCEPT AS PROVIDED IN INTEL'S TERMS AND CONDITIONS OF SALE FOR SUCH PRODUCTS, INTEL ASSUMES NO LIABILITY WHATSOEVER, AND INTEL DISCLAIMS ANY EXPRESS OR IMPLIED WARRANTY, RELATING TO SALE AND/OR USE OF INTEL PRODUCTS INCLUDING LIABILITY OR WARRANTIES RELATING TO FITNESS FOR A PARTICULAR PURPOSE, MERCHANTABILITY, OR INFRINGEMENT OF ANY PATENT, COPYRIGHT OR OTHER INTELLECTUAL PROPERTY RIGHT. Intel products are not intended for use in medical, life saving, or life sustaining applications.

Intel may make changes to specifications and product descriptions at any time, without notice.

Designers must not rely on the absence or characteristics of any features or instructions marked "reserved" or "undefined." Intel reserves these for future definition and shall have no responsibility whatsoever for conflicts or incompatibilities arising from future changes to them.

The Intel® I/O Controller Hub 7 (ICH7) Family chipset component may contain design defects or errors known as errata which may cause the product to deviate from published specifications. Current characterized errata are available on request.

Contact your local Intel sales office or your distributor to obtain the latest specifications and before placing your product order.

I<sup>2</sup>C is a two-wire communications bus/protocol developed by Philips. SMBus is a subset of the I<sup>2</sup>C bus/protocol and was developed by Intel. Implementations of the I<sup>2</sup>C bus/protocol may require licenses from various entities, including Philips Electronics N.V. and North American Philips Corporation.

Alert on LAN is a result of the Intel-IBM Advanced Manageability Alliance and a trademark of IBM.

Intel, Intel SpeedStep, and the Intel logo are trademarks or registered trademarks of Intel Corporation or its subsidiaries in the United States and other countries.

\*Other names and brands may be claimed as the property of others.

Copyright © 2005–2007, Intel Corporation



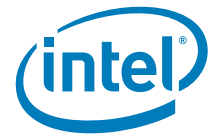
## Contents

---

<b>1</b>	<b>Introduction</b>	39
1.1	Overview	42
1.2	Intel® ICH7 Family High-Level Component Differences	50
<b>2</b>	<b>Signal Description</b>	51
2.1	Direct Media Interface (DMI) to Host Controller	55
2.2	PCI Express* (Desktop and Mobile Only)	55
2.3	Platform LAN Connect Interface (Desktop and Mobile Only)	56
2.4	EEPROM Interface (Desktop and Mobile Only)	56
2.5	Firmware Hub Interface (Desktop and Mobile Only)	56
2.6	PCI Interface	57
2.7	Serial ATA Interface (Desktop and Mobile Only)	59
2.8	IDE Interface	60
2.9	LPC Interface	62
2.10	Interrupt Interface	62
2.11	USB Interface	63
2.12	Power Management Interface	64
2.13	Processor Interface	66
2.14	SMBus Interface	68
2.15	System Management Interface	68
2.16	Real Time Clock Interface	69
2.17	Other Clocks	69
2.18	Miscellaneous Signals	70
2.19	AC '97/Intel® High Definition Audio Link	71
2.20	Serial Peripheral Interface (SPI) (Desktop and Mobile Only)	72
2.21	Intel® Quick Resume Technology (Intel® ICH7DH Only)	72
2.22	General Purpose I/O Signals	72
2.23	Power and Ground	74
2.24	Pin Straps	76
	2.24.1 Functional Straps	76
	2.24.2 External RTC Circuitry	78
<b>3</b>	<b>Intel® ICH7 Pin States</b>	79
3.1	Integrated Pull-Ups and Pull-Downs	79
3.2	IDE Integrated Series Termination Resistors	80
3.3	Output and I/O Signals Planes and States	81
3.4	Power Planes for Input Signals	90
<b>4</b>	<b>Intel® ICH7 and System Clock Domains</b>	95
<b>5</b>	<b>Functional Description</b>	99
5.1	PCI-to-PCI Bridge (D30:F0)	99
5.1.1	PCI Bus Interface	99
5.1.2	PCI Bridge As an Initiator	99
	5.1.2.1 Memory Reads and Writes	99
	5.1.2.2 I/O Reads and Writes	100
	5.1.2.3 Configuration Reads and Writes	100
	5.1.2.4 Locked Cycles	100
	5.1.2.5 Target / Master Aborts	100
	5.1.2.6 Secondary Master Latency Timer	100
	5.1.2.7 Dual Address Cycle (DAC)	100
	5.1.2.8 Memory and I/O Decode to PCI	101
5.1.3	Parity Error Detection and Generation	101
5.1.4	PCIRST#	101



5.1.5	Peer Cycles .....	102
5.1.6	PCI-to-PCI Bridge Model .....	102
5.1.7	IDSEL to Device Number Mapping .....	103
5.1.8	Standard PCI Bus Configuration Mechanism.....	103
5.2	PCI Express* Root Ports (D28:F0,F1,F2,F3,F4,F5) (Desktop and Mobile Only) .....	103
5.2.1	Interrupt Generation .....	103
5.2.2	Power Management.....	104
5.2.2.1	S3/S4/S5 Support .....	104
5.2.2.2	Resuming from Suspended State .....	104
5.2.2.3	Device Initiated PM_PME Message .....	104
5.2.2.4	SMI/SCI Generation.....	105
5.2.3	SERR# Generation .....	105
5.2.4	Hot-Plug .....	106
5.2.4.1	Presence Detection .....	106
5.2.4.2	Message Generation .....	106
5.2.4.3	Attention Button Detection .....	107
5.2.4.4	SMI/SCI Generation.....	107
5.3	LAN Controller (B1:D8:F0) (Desktop and Mobile Only) .....	108
5.3.1	LAN Controller PCI Bus Interface.....	108
5.3.1.1	Bus Slave Operation .....	109
5.3.1.2	CLKRUN# Signal (Mobile Only) .....	110
5.3.1.3	PCI Power Management .....	110
5.3.1.4	PCI Reset Signal.....	110
5.3.1.5	Wake-Up Events.....	111
5.3.1.6	Wake on LAN* (Preboot Wake-Up).....	112
5.3.2	Serial EEPROM Interface .....	112
5.3.3	CSMA/CD Unit .....	113
5.3.3.1	Full Duplex .....	113
5.3.3.2	Flow Control .....	113
5.3.3.3	VLAN Support .....	113
5.3.4	Media Management Interface .....	113
5.3.5	TCO Functionality .....	114
5.3.5.1	Advanced TCO Mode .....	114
5.4	Alert Standard Format (ASF) (Desktop and Mobile Only) .....	115
5.4.1	ASF Management Solution Features/Capabilities .....	116
5.4.2	ASF Hardware Support .....	117
5.4.2.1	Intel® 82562EM/EX .....	117
5.4.2.2	EEPROM (256x16, 1 MHz) .....	117
5.4.2.3	Legacy Sensor SMBus Devices .....	117
5.4.2.4	Remote Control SMBus Devices .....	117
5.4.2.5	ASF Sensor SMBus Devices.....	117
5.4.3	ASF Software Support .....	118
5.5	LPC Bridge (w/ System and Management Functions) (D31:F0) .....	118
5.5.1	LPC Interface .....	118
5.5.1.1	LPC Cycle Types .....	119
5.5.1.2	Start Field Definition .....	119
5.5.1.3	Cycle Type / Direction (CYCTYPE + DIR) .....	120
5.5.1.4	SIZE.....	120
5.5.1.5	SYNC.....	121
5.5.1.6	SYNC Time-Out.....	121
5.5.1.7	SYNC Error Indication .....	121
5.5.1.8	LFRAME# Usage.....	122
5.5.1.9	I/O Cycles.....	122
5.5.1.10	Bus Master Cycles .....	122
5.5.1.11	LPC Power Management .....	122
5.5.1.12	Configuration and Intel® ICH7 Implications.....	123
5.5.2	SERR# Generation .....	123



5.6	DMA Operation (D31:F0)	124
5.6.1	Channel Priority	124
5.6.1.1	Fixed Priority	125
5.6.1.2	Rotating Priority	125
5.6.2	Address Compatibility Mode	125
5.6.3	Summary of DMA Transfer Sizes	125
5.6.3.1	Address Shifting When Programmed for 16-Bit I/O Count by Words	126
5.6.4	Autoinitialize	126
5.6.5	Software Commands	126
5.7	LPC DMA (Desktop and Mobile Only)	127
5.7.1	Asserting DMA Requests	127
5.7.2	Abandoning DMA Requests	127
5.7.3	General Flow of DMA Transfers	128
5.7.4	Terminal Count	128
5.7.5	Verify Mode	128
5.7.6	DMA Request Deassertion	129
5.7.7	SYNC Field / LDRQ# Rules	129
5.8	8254 Timers (D31:F0)	130
5.8.1	Timer Programming	131
5.8.2	Reading from the Interval Timer	132
5.8.2.1	Simple Read	132
5.8.2.2	Counter Latch Command	132
5.8.2.3	Read Back Command	132
5.9	8259 Interrupt Controllers (PIC) (D31:F0)	133
5.9.1	Interrupt Handling	134
5.9.1.1	Generating Interrupts	134
5.9.1.2	Acknowledging Interrupts	134
5.9.1.3	Hardware/Software Interrupt Sequence	135
5.9.2	Initialization Command Words (ICWx)	135
5.9.2.1	ICW1	135
5.9.2.2	ICW2	136
5.9.2.3	ICW3	136
5.9.2.4	ICW4	136
5.9.3	Operation Command Words (OCW)	136
5.9.4	Modes of Operation	136
5.9.4.1	Fully Nested Mode	136
5.9.4.2	Special Fully-Nested Mode	137
5.9.4.3	Automatic Rotation Mode (Equal Priority Devices)	137
5.9.4.4	Specific Rotation Mode (Specific Priority)	137
5.9.4.5	Poll Mode	137
5.9.4.6	Cascade Mode	138
5.9.4.7	Edge and Level Triggered Mode	138
5.9.4.8	End of Interrupt (EOI) Operations	138
5.9.4.9	Normal End of Interrupt	138
5.9.4.10	Automatic End of Interrupt Mode	138
5.9.5	Masking Interrupts	139
5.9.5.1	Masking on an Individual Interrupt Request	139
5.9.5.2	Special Mask Mode	139
5.9.6	Steering PCI Interrupts	139
5.10	Advanced Programmable Interrupt Controller (APIC) (D31:F0)	140
5.10.1	Interrupt Handling	140
5.10.2	Interrupt Mapping	140
5.10.3	PCI / PCI Express* Message-Based Interrupts	141
5.10.4	Front Side Bus Interrupt Delivery	141
5.10.4.1	Edge-Triggered Operation	142



5.10.4.2	Level-Triggered Operation.....	142
5.10.4.3	Registers Associated with Front Side Bus Interrupt Delivery .....	142
5.10.4.4	Interrupt Message Format .....	142
5.11	Serial Interrupt (D31:F0).....	143
5.11.1	Start Frame .....	143
5.11.2	Data Frames .....	144
5.11.3	Stop Frame.....	144
5.11.4	Specific Interrupts Not Supported via SERIRQ.....	144
5.11.5	Data Frame Format.....	145
5.12	Real Time Clock (D31:F0) .....	146
5.12.1	Update Cycles .....	146
5.12.2	Interrupts.....	147
5.12.3	Lockable RAM Ranges.....	147
5.12.4	Century Rollover .....	147
5.12.5	Clearing Battery-Backed RTC RAM.....	147
5.13	Processor Interface (D31:F0) .....	149
5.13.1	Processor Interface Signals .....	149
5.13.1.1	A20M# (Mask A20).....	149
5.13.1.2	INIT# (Initialization).....	150
5.13.1.3	FERR#/IGNNE# (Numeric Coprocessor Error/ Ignore Numeric Error) .....	150
5.13.1.4	NMI (Non-Maskable Interrupt) .....	151
5.13.1.5	Stop Clock Request and CPU Sleep (STPCLK# and CPUSLP#) .....	151
5.13.1.6	CPU Power Good (CPUPWRGOOD) .....	151
5.13.1.7	Deeper Sleep (DPSLP#) (Mobile/Ultra Mobile Only) .....	151
5.13.2	Dual-Processor Issues (Desktop Only) .....	152
5.13.2.1	Signal Differences .....	152
5.13.2.2	Power Management .....	152
5.14	Power Management (D31:F0) .....	153
5.14.1	Features .....	153
5.14.2	Intel® ICH7 and System Power States .....	153
5.14.3	System Power Planes .....	156
5.14.4	SMI#/SCI Generation.....	156
5.14.4.1	PCI Express* SCI (Desktop and Mobile Only) .....	159
5.14.4.2	PCI Express* Hot-Plug (Desktop and Mobile Only) .....	159
5.14.5	Dynamic Processor Clock Control .....	159
5.14.5.1	Transition Rules among S0/Cx and Throttling States.....	160
5.14.5.2	Deferred C3/C4 (Mobile/Ultra Mobile Only) .....	161
5.14.5.3	POPUP (Auto C3/C4 to C2) (Mobile/Ultra Mobile Only) .....	161
5.14.5.4	POPDOWN (Auto C2 to C3/C4) (Mobile/Ultra Mobile Only) .....	161
5.14.6	Dynamic PCI Clock Control (Mobile/Ultra Mobile Only).....	161
5.14.6.1	Conditions for Checking the PCI Clock .....	162
5.14.6.2	Conditions for Maintaining the PCI Clock.....	162
5.14.6.3	Conditions for Stopping the PCI Clock .....	162
5.14.6.4	Conditions for Re-Starting the PCI Clock.....	162
5.14.6.5	LPC Devices and CLKRUN# (Mobile and Ultra Mobile Only) .....	162
5.14.7	Sleep States .....	163
5.14.7.1	Sleep State Overview.....	163
5.14.7.2	Initiating Sleep State .....	163
5.14.7.3	Exiting Sleep States.....	163
5.14.7.4	PCI Express* WAKE# Signal and PME Event Message ( Desktop and Mobile only) .....	165
5.14.7.5	Sx-G3-Sx, Handling Power Failures .....	165
5.14.8	Thermal Management.....	166
5.14.8.1	THRM# Signal.....	166
5.14.8.2	Processor Initiated Passive Cooling .....	166
5.14.8.3	THRM# Override Software Bit .....	167



5.14.8.4	Active Cooling .....	167
5.14.9	Event Input Signals and Their Usage .....	167
5.14.9.1	PWRBTN# (Power Button) .....	167
5.14.9.2	RI# (Ring Indicator) .....	168
5.14.9.3	PME# (PCI Power Management Event) .....	169
5.14.9.4	SYS_RESET# Signal .....	169
5.14.9.5	THRMTRIP# Signal .....	169
5.14.9.6	BM_BUSY# (Mobile/Ultra Mobile Only) .....	170
5.14.10	ALT Access Mode .....	170
5.14.10.1	Write Only Registers with Read Paths in ALT Access Mode .....	171
5.14.10.2	PIC Reserved Bits .....	173
5.14.10.3	Read Only Registers with Write Paths in ALT Access Mode .....	173
5.14.11	System Power Supplies, Planes, and Signals .....	173
5.14.11.1	Power Plane Control with SLP_S3#, SLP_S4# and SLP_S5# .....	173
5.14.11.2	SLP_S4# and Suspend-To-RAM Sequencing .....	174
5.14.11.3	PWROK Signal .....	174
5.14.11.4	CPUPWRGD Signal .....	175
5.14.11.5	VRMPWRGD Signal .....	175
5.14.11.6	BATLOW# (Battery Low) (Mobile/Ultra Mobile Only) .....	175
5.14.11.7	Controlling Leakage and Power Consumption during Low-Power States .....	175
5.14.12	Clock Generators .....	176
5.14.12.1	Clock Control Signals from Intel® ICH7 to Clock Synthesizer (Mobile/Ultra Mobile Only) .....	176
5.14.13	Legacy Power Management Theory of Operation .....	177
5.14.13.1	APM Power Management (Desktop Only) .....	177
5.14.13.2	Mobile APM Power Management (Mobile/Ultra Mobile Only) .....	177
5.15	System Management (D31:F0) .....	178
5.15.1	Theory of Operation .....	178
5.15.1.1	Detecting a System Lockup .....	178
5.15.1.2	Handling an Intruder .....	178
5.15.1.3	Detecting Improper Firmware Hub Programming .....	179
5.15.2	Heartbeat and Event Reporting via SMBus (Desktop and Mobile Only) .....	179
5.16	IDE Controller (D31:F1) .....	183
5.16.1	PIO Transfers .....	183
5.16.1.1	PIO IDE Timing Modes .....	184
5.16.1.2	IORDY Masking .....	184
5.16.1.3	PIO 32-Bit IDE Data Port Accesses .....	184
5.16.1.4	PIO IDE Data Port Prefetching and Posting .....	185
5.16.2	Bus Master Function .....	185
5.16.2.1	Physical Region Descriptor Format .....	185
5.16.2.2	Bus Master IDE Timings .....	186
5.16.2.3	Interrupts .....	186
5.16.2.4	Bus Master IDE Operation .....	187
5.16.2.5	Error Conditions .....	188
5.16.3	Ultra ATA/100/66/33 Protocol .....	188
5.16.3.1	Operation .....	189
5.16.4	Ultra ATA/33/66/100 Timing .....	190
5.16.5	ATA Swap Bay .....	190
5.16.6	SMI Trapping .....	190
5.17	SATA Host Controller (D31:F2) (Desktop and Mobile Only) .....	191
5.17.1	Theory of Operation .....	192
5.17.1.1	Standard ATA Emulation .....	192
5.17.1.2	48-Bit LBA Operation .....	192
5.17.2	SATA Swap Bay Support .....	193
5.17.3	Intel® Matrix Storage Technology Configuration (Intel® ICH7R, ICH7DH, and ICH7-M DH Only) .....	193



5.17.3.1	Intel® Matrix Storage Manager RAID Option ROM .....	194
5.17.4	Power Management Operation .....	194
5.17.4.1	Power State Mappings .....	194
5.17.4.2	Power State Transitions .....	195
5.17.4.3	SMI Trapping (APM) .....	196
5.17.5	SATA LED .....	196
5.17.6	AHCI Operation (Intel® ICH7R, ICH7DH, and Mobile Only) .....	196
5.17.7	Serial ATA Reference Clock Low Power Request (SATACLKREQ#) .....	197
5.18	High Precision Event Timers .....	197
5.18.1	Timer Accuracy .....	197
5.18.2	Interrupt Mapping .....	198
5.18.3	Periodic vs. Non-Periodic Modes .....	198
5.18.4	Enabling the Timers .....	199
5.18.5	Interrupt Levels .....	199
5.18.6	Handling Interrupts .....	199
5.18.7	Issues Related to 64-Bit Timers with 32-Bit Processors .....	200
5.19	USB UHCI Host Controllers (D29:F0, F1, F2, and F3) .....	200
5.19.1	Data Structures in Main Memory .....	200
5.19.2	Data Transfers to/from Main Memory .....	200
5.19.3	Data Encoding and Bit Stuffing .....	200
5.19.4	Bus Protocol .....	200
5.19.4.1	Bit Ordering .....	200
5.19.4.2	SYNC Field .....	201
5.19.4.3	Packet Field Formats .....	201
5.19.4.4	Address Fields .....	201
5.19.4.5	Frame Number Field .....	201
5.19.4.6	Data Field .....	201
5.19.4.7	Cyclic Redundancy Check (CRC) .....	201
5.19.5	Packet Formats .....	201
5.19.6	USB Interrupts .....	201
5.19.6.1	Transaction-Based Interrupts .....	202
5.19.6.2	Non-Transaction Based Interrupts .....	203
5.19.7	USB Power Management .....	204
5.19.8	USB Legacy Keyboard Operation .....	204
5.20	USB EHCI Host Controller (D29:F7) .....	207
5.20.1	EHC Initialization .....	207
5.20.1.1	BIOS Initialization .....	207
5.20.1.2	Driver Initialization .....	207
5.20.1.3	EHC Resets .....	208
5.20.2	Data Structures in Main Memory .....	208
5.20.3	USB 2.0 Enhanced Host Controller DMA .....	208
5.20.4	Data Encoding and Bit Stuffing .....	208
5.20.5	Packet Formats .....	208
5.20.6	USB 2.0 Interrupts and Error Conditions .....	209
5.20.6.1	Aborts on USB 2.0-Initiated Memory Reads .....	209
5.20.7	USB 2.0 Power Management .....	210
5.20.7.1	Pause Feature .....	210
5.20.7.2	Suspend Feature .....	210
5.20.7.3	ACPI Device States .....	210
5.20.7.4	ACPI System States .....	211
5.20.7.5	Mobile/Ultra Mobile Only Considerations .....	211
5.20.8	Interaction with UHCI Host Controllers .....	211
5.20.8.1	Port-Routing Logic .....	211
5.20.8.2	Device Connects .....	213
5.20.8.3	Device Disconnects .....	213
5.20.8.4	Effect of Resets on Port-Routing Logic .....	214





5.20.9	USB 2.0 Legacy Keyboard Operation .....	214
5.20.10	USB 2.0 Based Debug Port .....	214
	5.20.10.1 Theory of Operation .....	215
5.21	SMBus Controller (D31:F3) .....	219
5.21.1	Host Controller .....	220
	5.21.1.1 Command Protocols .....	220
5.21.2	Bus Arbitration .....	224
5.21.3	Bus Timing .....	224
	5.21.3.1 Clock Stretching .....	224
	5.21.3.2 Bus Time Out (Intel® ICH7 as SMBus Master) .....	224
5.21.4	Interrupts / SMI# .....	225
5.21.5	SMBALERT# .....	226
5.21.6	SMBus CRC Generation and Checking .....	226
5.21.7	SMBus Slave Interface .....	226
	5.21.7.1 Format of Slave Write Cycle .....	227
	5.21.7.2 Format of Read Command .....	229
	5.21.7.3 Format of Host Notify Command .....	231
5.22	AC '97 Controller (Audio D30:F2, Modem D30:F3) (Desktop and Mobile Only) .....	232
5.22.1	PCI Power Management .....	234
5.22.2	AC-Link Overview .....	234
	5.22.2.1 Register Access .....	236
5.22.3	AC-Link Low Power Mode .....	237
	5.22.3.1 External Wake Event .....	238
5.22.4	AC '97 Cold Reset .....	239
5.22.5	AC '97 Warm Reset .....	239
5.22.6	Hardware Assist to Determine ACZ_SDIN Used Per Codec .....	239
5.23	Intel® High Definition Audio Overview .....	240
5.23.1	Intel® High Definition Audio Docking (Mobile Only) .....	240
	5.23.1.1 Dock Sequence .....	240
	5.23.1.2 Exiting D3/CRST# when Docked .....	241
	5.23.1.3 Cold Boot/Resume from S3 When Docked .....	242
	5.23.1.4 Undock Sequence .....	242
	5.23.1.5 Interaction Between Dock/Undock and Power Management States .....	243
	5.23.1.6 Relationship between AZ_DOCK_RST# and AZ_RST# .....	243
5.24	Intel® Active Management Technology (Intel® AMT) (Desktop and Mobile Only) .....	244
5.24.1	Intel® AMT Features .....	244
5.24.2	Intel® AMT Requirements .....	244
5.25	Serial Peripheral Interface (SPI) (Desktop and Mobile Only) .....	245
5.25.1	SPI Arbitration between Intel® ICH7 and Intel PRO 82573E .....	245
5.25.2	Flash Device Configurations .....	245
5.25.3	SPI Device Compatibility Requirements .....	246
	5.25.3.1 Intel® ICH7 SPI Based BIOS Only Configuration Requirements (Non-Shared Flash Configuration) .....	246
	5.25.3.2 Intel® ICH7 with Intel® PRO 82573E with Intel AMT Firmware Configuration Requirements (Shared Flash Configuration) .....	246
5.25.4	Intel® ICH7 Compatible Command Set .....	247
	5.25.4.1 Required Command Set for Inter Operability .....	247
	5.25.4.2 Recommended Standard Commands .....	247
	5.25.4.3 Multiple Page Write Usage Model .....	248
5.25.5	Flash Protection .....	248
	5.25.5.1 BIOS Range Write Protection .....	248
	5.25.5.2 SMI# Based Global Write Protection .....	249
	5.25.5.3 Shared Flash Address Range Protection .....	249
5.26	Intel® Quick Resume Technology (Digital Home Only) .....	249
5.26.1	Visual Off .....	249



5.26.2	CE-like On/Off .....	249
5.26.3	Intel® Quick Resume Technology Signals (ICH7DH Only) .....	250
5.26.4	Power Button Sequence (ICH7DH Only) .....	250
5.27	Feature Capability Mechanism .....	251
<b>6</b>	<b>Register and Memory Mapping .....</b>	<b>253</b>
6.1	PCI Devices and Functions .....	254
6.2	PCI Configuration Map .....	255
6.3	I/O Map .....	255
6.3.1	Fixed I/O Address Ranges .....	255
6.3.2	Variable I/O Decode Ranges .....	258
6.4	Memory Map .....	259
6.4.1	Boot-Block Update Scheme .....	261
<b>7</b>	<b>Chipset Configuration Registers .....</b>	<b>263</b>
7.1	Chipset Configuration Registers (Memory Space) .....	263
7.1.1	VCH—Virtual Channel Capability Header Register .....	265
7.1.2	VCAP1—Virtual Channel Capability #1 Register .....	265
7.1.3	VCAP2—Virtual Channel Capability #2 Register .....	266
7.1.4	PVC—Port Virtual Channel Control Register .....	266
7.1.5	PVS—Port Virtual Channel Status Register .....	266
7.1.6	VOCAP—Virtual Channel 0 Resource Capability Register .....	267
7.1.7	VOCTL—Virtual Channel 0 Resource Control Register .....	267
7.1.8	V0STS—Virtual Channel 0 Resource Status Register .....	268
7.1.9	V1CAP—Virtual Channel 1 Resource Capability Register .....	268
7.1.10	V1CTL—Virtual Channel 1 Resource Control Register .....	269
7.1.11	V1STS—Virtual Channel 1 Resource Status Register .....	269
7.1.12	RCTCL—Root Complex Topology Capabilities List Register .....	270
7.1.13	ESD—Element Self Description Register .....	270
7.1.14	ULD—Upstream Link Descriptor Register .....	270
7.1.15	ULBA—Upstream Link Base Address Register .....	271
7.1.16	RP1D—Root Port 1 Descriptor Register .....	271
7.1.17	RP1BA—Root Port 1 Base Address Register .....	271
7.1.18	RP2D—Root Port 2 Descriptor Register .....	272
7.1.19	RP2BA—Root Port 2 Base Address Register .....	272
7.1.20	RP3D—Root Port 3 Descriptor Register .....	272
7.1.21	RP3BA—Root Port 3 Base Address Register .....	273
7.1.22	RP4D—Root Port 4 Descriptor Register .....	273
7.1.23	RP4BA—Root Port 4 Base Address Register .....	273
7.1.24	HDD—Intel® High Definition Audio Descriptor Register .....	274
7.1.25	HDBA—Intel® High Definition Audio Base Address Register .....	274
7.1.26	RP5D—Root Port 5 Descriptor Register .....	274
7.1.27	RP5BA—Root Port 5 Base Address Register .....	275
7.1.28	RP6D—Root Port 6 Descriptor Register .....	275
7.1.29	RP6BA—Root Port 6 Base Address Register .....	275
7.1.30	ILCL—Internal Link Capabilities List Register .....	276
7.1.31	LCAP—Link Capabilities Register .....	276
7.1.32	LCTL—Link Control Register .....	277
7.1.33	LSTS—Link Status Register .....	277
7.1.34	RPC—Root Port Configuration Register .....	278
7.1.35	RPFN—Root Port Function Number for PCI Express Root Ports (Desktop and Mobile only) .....	279
7.1.36	TRSR—Trap Status Register .....	280
7.1.37	TRCR—Trapped Cycle Register .....	280
7.1.38	TWDR—Trapped Write Data Register .....	280
7.1.39	IOTRn — I/O Trap Register (0-3) .....	281



7.1.40	TCTL—TCO Configuration Register	282
7.1.41	D31IP—Device 31 Interrupt Pin Register	283
7.1.42	D30IP—Device 30 Interrupt Pin Register	284
7.1.43	D29IP—Device 29 Interrupt Pin Register	285
7.1.44	D28IP—Device 28 Interrupt Pin Register (Desktop and Mobile Only)	286
7.1.45	D27IP—Device 27 Interrupt Pin Register	287
7.1.46	D31IR—Device 31 Interrupt Route Register	287
7.1.47	D30IR—Device 30 Interrupt Route Register	289
7.1.48	D29IR—Device 29 Interrupt Route Register	290
7.1.49	D28IR—Device 28 Interrupt Route Register	292
7.1.50	D27IR—Device 27 Interrupt Route Register	293
7.1.51	OIC—Other Interrupt Control Register	294
7.1.52	RC—RTC Configuration Register	295
7.1.53	HPTC—High Precision Timer Configuration Register	295
7.1.54	GCS—General Control and Status Register	296
7.1.55	BUC—Backed Up Control Register	298
7.1.56	FD—Function Disable Register	299
7.1.57	CG—Clock Gating (Mobile/Ultra Mobile Only)	301
<b>8</b>	<b>LAN Controller Registers (B1:D8:F0) (Desktop and Mobile Only)</b>	<b>303</b>
8.1	PCI Configuration Registers (LAN Controller—B1:D8:F0)	303
8.1.1	VID—Vendor Identification Register (LAN Controller—B1:D8:F0)	304
8.1.2	DID—Device Identification Register (LAN Controller—B1:D8:F0)	304
8.1.3	PCICMD—PCI Command Register (LAN Controller—B1:D8:F0)	305
8.1.4	PCISTS—PCI Status Register (LAN Controller—B1:D8:F0)	306
8.1.5	RID—Revision Identification Register (LAN Controller—B1:D8:F0)	307
8.1.6	SCC—Sub Class Code Register (LAN Controller—B1:D8:F0)	307
8.1.7	BCC—Base-Class Code Register (LAN Controller—B1:D8:F0)	307
8.1.8	CLS—Cache Line Size Register (LAN Controller—B1:D8:F0)	308
8.1.9	PMLT—Primary Master Latency Timer Register (LAN Controller—B1:D8:F0)	308
8.1.10	HEADTYP—Header Type Register (LAN Controller—B1:D8:F0)	308
8.1.11	CSR_MEM_BASE — CSR Memory-Mapped Base Address Register (LAN Controller—B1:D8:F0)	309
8.1.12	CSR_IO_BASE — CSR I/O-Mapped Base Address Register (LAN Controller—B1:D8:F0)	309
8.1.13	SVID — Subsystem Vendor Identification (LAN Controller—B1:D8:F0)	309
8.1.14	SID — Subsystem Identification (LAN Controller—B1:D8:F0)	310
8.1.15	CAP_PTR — Capabilities Pointer (LAN Controller—B1:D8:F0)	310
8.1.16	INT_LN — Interrupt Line Register (LAN Controller—B1:D8:F0)	310
8.1.17	INT_PN — Interrupt Pin Register (LAN Controller—B1:D8:F0)	311
8.1.18	MIN_GNT — Minimum Grant Register (LAN Controller—B1:D8:F0)	311
8.1.19	MAX_LAT — Maximum Latency Register (LAN Controller—B1:D8:F0)	311
8.1.20	CAP_ID — Capability Identification Register (LAN Controller—B1:D8:F0)	311
8.1.21	NXT_PTR — Next Item Pointer (LAN Controller—B1:D8:F0)	312
8.1.22	PM_CAP — Power Management Capabilities (LAN Controller—B1:D8:F0)	312
8.1.23	PMCSR — Power Management Control/Status Register (LAN Controller—B1:D8:F0)	313
8.1.24	PCIDATA — PCI Power Management Data Register (LAN Controller—B1:D8:F0)	314
8.2	LAN Control / Status Registers (CSR) (LAN Controller—B1:D8:F0)	315
8.2.1	SCB_STA—System Control Block Status Word Register (LAN Controller—B1:D8:F0)	316
8.2.2	SCB_CMD—System Control Block Command Word Register (LAN Controller—B1:D8:F0)	317
8.2.3	SCB_GENPNT—System Control Block General Pointer Register (LAN Controller—B1:D8:F0)	319



8.2.4	PORT—PORT Interface Register (LAN Controller—B1:D8:F0) .....	319
8.2.5	EEPROM_CNTL—EEPROM Control Register (LAN Controller—B1:D8:F0) .....	321
8.2.6	MDI_CNTL—Management Data Interface (MDI) Control Register (LAN Controller—B1:D8:F0) .....	322
8.2.7	REC_DMA_BC—Receive DMA Byte Count Register (LAN Controller—B1:D8:F0) .....	322
8.2.8	EREC_INTR—Early Receive Interrupt Register (LAN Controller—B1:D8:F0) .....	323
8.2.9	FLOW_CNTL—Flow Control Register (LAN Controller—B1:D8:F0) .....	323
8.2.10	PMDR—Power Management Driver Register (LAN Controller—B1:D8:F0) .....	324
8.2.11	GENCNTL—General Control Register (LAN Controller—B1:D8:F0) .....	325
8.2.12	GENSTA—General Status Register (LAN Controller—B1:D8:F0) .....	326
8.2.13	SMB_PCI—SMB via PCI Register (LAN Controller—B1:D8:F0) .....	326
8.2.14	Statistical Counters (LAN Controller—B1:D8:F0) .....	327
8.3	ASF Configuration Registers (LAN Controller—B1:D8:F0) .....	329
8.3.1	ASF_RID—ASF Revision Identification Register (LAN Controller—B1:D8:F0) ..	330
8.3.2	SMB_CNTL—SMBus Control Register (LAN Controller—B1:D8:F0) .....	330
8.3.3	ASF_CNTL—ASF Control Register (LAN Controller—B1:D8:F0) .....	331
8.3.4	ASF_CNTL_EN—ASF Control Enable Register (ASF Controller—B1:D8:F0) .....	332
8.3.5	ENABLE—Enable Register (ASF Controller—B1:D8:F0) .....	333
8.3.6	APM—APM Register (ASF Controller—B1:D8:F0) .....	334
8.3.7	WTIM_CONF—Watchdog Timer Configuration Register (ASF Controller—B1:D8:F0) .....	334
8.3.8	HEART_TIM—Heartbeat Timer Register (ASF Controller—B1:D8:F0) .....	335
8.3.9	RETRAN_INT—Retransmission Interval Register (ASF Controller—B1:D8:F0) .....	335
8.3.10	RETRAN_PCL—Retransmission Packet Count Limit Register (ASF Controller—B1:D8:F0) .....	336
8.3.11	ASF_WTIM1—ASF Watchdog Timer 1 Register (ASF Controller—B1:D8:F0) .....	336
8.3.12	ASF_WTIM2—ASF Watchdog Timer 2 Register (ASF Controller—B1:D8:F0) .....	336
8.3.13	PET_SEQ1—PET Sequence 1 Register (ASF Controller—B1:D8:F0) .....	337
8.3.14	PET_SEQ2—PET Sequence 2 Register (ASF Controller—B1:D8:F0) .....	337
8.3.15	STA—Status Register (ASF Controller—B1:D8:F0) .....	338
8.3.16	FOR_ACT—Forced Actions Register (ASF Controller—B1:D8:F0) .....	339
8.3.17	RMCP_SNUM—RMCP Sequence Number Register (ASF Controller—B1:D8:F0) .....	340
8.3.18	SP_MODE—Special Modes Register (ASF Controller—B1:D8:F0) .....	340
8.3.19	INPOLL_TCONF—Inter-Poll Timer Configuration Register (ASF Controller—B1:D8:F0) .....	340
8.3.20	PHIST_CLR—Poll History Clear Register (ASF Controller—B1:D8:F0) .....	341
8.3.21	PMSK1—Polling Mask 1 Register (ASF Controller—B1:D8:F0) .....	341
8.3.22	PMSK2—Polling Mask 2 Register (ASF Controller—B1:D8:F0) .....	342
8.3.23	PMSK3—Polling Mask 3 Register (ASF Controller—B1:D8:F0) .....	342
8.3.24	PMSK4—Polling Mask 4 Register (ASF Controller—B1:D8:F0) .....	342
8.3.25	PMSK5—Polling Mask 5 Register (ASF Controller—B1:D8:F0) .....	343
8.3.26	PMSK6—Polling Mask 6 Register (ASF Controller—B1:D8:F0) .....	343
8.3.27	PMSK7—Polling Mask 7 Register (ASF Controller—B1:D8:F0) .....	343
8.3.28	PMSK8—Polling Mask 8 Register (ASF Controller—B1:D8:F0) .....	344
<b>9</b>	<b>PCI-to-PCI Bridge Registers (D30:F0) .....</b>	<b>345</b>
9.1	PCI Configuration Registers (D30:F0) .....	345
9.1.1	VID— Vendor Identification Register (PCI-PCI—D30:F0) .....	346
9.1.2	DID— Device Identification Register (PCI-PCI—D30:F0) .....	346
9.1.3	PCICMD—PCI Command (PCI-PCI—D30:F0) .....	346



9.1.4	PSTS—PCI Status Register (PCI-PCI—D30:F0)	347
9.1.5	RID—Revision Identification Register (PCI-PCI—D30:F0)	349
9.1.6	CC—Class Code Register (PCI-PCI—D30:F0)	349
9.1.7	PMLT—Primary Master Latency Timer Register (PCI-PCI—D30:F0)	350
9.1.8	HEADTYP—Header Type Register (PCI-PCI—D30:F0)	350
9.1.9	BNUM—Bus Number Register (PCI-PCI—D30:F0)	350
9.1.10	SMLT—Secondary Master Latency Timer Register (PCI-PCI—D30:F0)	351
9.1.11	IOBASE_LIMIT—I/O Base and Limit Register (PCI-PCI—D30:F0)	351
9.1.12	SECSTS—Secondary Status Register (PCI-PCI—D30:F0)	352
9.1.13	MEMBASE_LIMIT—Memory Base and Limit Register (PCI-PCI—D30:F0)	353
9.1.14	PREF_MEM_BASE_LIMIT—Prefetchable Memory Base and Limit Register (PCI-PCI—D30:F0)	353
9.1.15	PMBU32—Prefetchable Memory Base Upper 32 Bits Register (PCI-PCI—D30:F0)	354
9.1.16	PMLU32—Prefetchable Memory Limit Upper 32 Bits Register (PCI-PCI—D30:F0)	354
9.1.17	CAPP—Capability List Pointer Register (PCI-PCI—D30:F0)	354
9.1.18	INTR—Interrupt Information Register (PCI-PCI—D30:F0)	354
9.1.19	BCTRL—Bridge Control Register (PCI-PCI—D30:F0)	355
9.1.20	SPDH—Secondary PCI Device Hiding Register (PCI-PCI—D30:F0)	356
9.1.21	DTC—Delayed Transaction Control Register (PCI-PCI—D30:F0)	357
9.1.22	BPS—Bridge Proprietary Status Register (PCI-PCI—D30:F0)	359
9.1.23	BPC—Bridge Policy Configuration Register (PCI-PCI—D30:F0)	360
9.1.24	SVCAP—Subsystem Vendor Capability Register (PCI-PCI—D30:F0)	361
9.1.25	SVID—Subsystem Vendor IDs Register (PCI-PCI—D30:F0)	361
<b>10</b>	<b>LPC Interface Bridge Registers (D31:F0)</b>	<b>363</b>
10.1	PCI Configuration Registers (LPC I/F—D31:F0)	363
10.1.1	VID—Vendor Identification Register (LPC I/F—D31:F0)	364
10.1.2	DID—Device Identification Register (LPC I/F—D31:F0)	364
10.1.3	PCICMD—PCI COMMAND Register (LPC I/F—D31:F0)	365
10.1.4	PCISTS—PCI Status Register (LPC I/F—D31:F0)	365
10.1.5	RID—Revision Identification Register (LPC I/F—D31:F0)	366
10.1.6	PI—Programming Interface Register (LPC I/F—D31:F0)	366
10.1.7	SCC—Sub Class Code Register (LPC I/F—D31:F0)	367
10.1.8	BCC—Base Class Code Register (LPC I/F—D31:F0)	367
10.1.9	PLT—Primary Latency Timer Register (LPC I/F—D31:F0)	367
10.1.10	HEADTYP—Header Type Register (LPC I/F—D31:F0)	367
10.1.11	SS—Sub System Identifiers Register (LPC I/F—D31:F0)	368
10.1.12	CAPP—Capability List Pointer (LPC I/F—D31:F0)	368
10.1.13	PMBASE—ACPI Base Address Register (LPC I/F—D31:F0)	368
10.1.14	ACPI_CNTL—ACPI Control Register (LPC I/F — D31:F0)	369
10.1.15	GPIOBASE—GPIO Base Address Register (LPC I/F — D31:F0)	369
10.1.16	GC—GPIO Control Register (LPC I/F — D31:F0)	370
10.1.17	PIRQ[n]_ROUT—PIRQ[A,B,C,D] Routing Control Register (LPC I/F—D31:F0) (Desktop and Mobile Only)	370
10.1.18	SIRQ_CNTL—Serial IRQ Control Register (LPC I/F—D31:F0)	371
10.1.19	PIRQ[n]_ROUT—PIRQ[E,F,G,H] Routing Control Register (LPC I/F—D31:F0)	372
10.1.20	LPC_I/O_DEC—I/O Decode Ranges Register (LPC I/F—D31:F0)	373
10.1.21	LPC_EN—LPC I/F Enables Register (LPC I/F—D31:F0)	374
10.1.22	GEN1_DEC—LPC I/F Generic Decode Range 1 Register (LPC I/F—D31:F0)	375
10.1.23	GEN2_DEC—LPC I/F Generic Decode Range 2 Register (LPC I/F—D31:F0)	375
10.1.24	GEN3_DEC—LPC I/F Generic Decode Range 3 Register (LPC I/F—D31:F0)	376
10.1.25	GEN4_DEC—LPC I/F Generic Decode Range 4 Register (LPC I/F—D31:F0)	376
10.1.26	FWH_SEL1—Firmware Hub Select 1 Register (LPC I/F—D31:F0)	377



10.1.27	FWH_SEL2—Firmware Hub Select 2 Register (LPC I/F—D31:F0)	378
10.1.28	FWH_DEC_EN1—Firmware Hub Decode Enable Register (LPC I/F—D31:F0)	378
10.1.29	BIOS_CNTL—BIOS Control Register (LPC I/F—D31:F0)	381
10.1.30	FDCAP—Feature Detection Capability ID (LPC I/F—D31:F0)	382
10.1.31	FDLEN—Feature Detection Capability Length (LPC I/F—D31:F0)	382
10.1.32	FDVER—Feature Detection Version (LPC I/F—D31:F0)	382
10.1.33	FDVCT—Feature Vector Register (LPC I/F—D31:F0)	383
10.1.34	RCBA—Root Complex Base Address Register (LPC I/F—D31:F0)	384
10.2	DMA I/O Registers (LPC I/F—D31:F0)	385
10.2.1	DMABASE_CA—DMA Base and Current Address Registers (LPC I/F—D31:F0)	386
10.2.2	DMABASE_CC—DMA Base and Current Count Registers (LPC I/F—D31:F0)	387
10.2.3	DMAMEM_LP—DMA Memory Low Page Registers (LPC I/F—D31:F0)	387
10.2.4	DMACMD—DMA Command Register (LPC I/F—D31:F0)	388
10.2.5	DMASTA—DMA Status Register (LPC I/F—D31:F0)	388
10.2.6	DMA_WRMSK—DMA Write Single Mask Register (LPC I/F—D31:F0)	389
10.2.7	DMACH_MODE—DMA Channel Mode Register (LPC I/F—D31:F0)	390
10.2.8	DMA Clear Byte Pointer Register (LPC I/F—D31:F0)	391
10.2.9	DMA Master Clear Register (LPC I/F—D31:F0)	391
10.2.10	DMA_CLMSK—DMA Clear Mask Register (LPC I/F—D31:F0)	391
10.2.11	DMA_WRMSK—DMA Write All Mask Register (LPC I/F—D31:F0)	392
10.3	Timer I/O Registers (LPC I/F—D31:F0)	392
10.3.1	TCW—Timer Control Word Register (LPC I/F—D31:F0)	393
10.3.2	SBYTE_FMT—Interval Timer Status Byte Format Register (LPC I/F—D31:F0)	395
10.3.3	Counter Access Ports Register (LPC I/F—D31:F0)	396
10.4	8259 Interrupt Controller (PIC) Registers (LPC I/F—D31:F0)	396
10.4.1	Interrupt Controller I/O MAP (LPC I/F—D31:F0)	396
10.4.2	ICW1—Initialization Command Word 1 Register (LPC I/F—D31:F0)	397
10.4.3	ICW2—Initialization Command Word 2 Register (LPC I/F—D31:F0)	398
10.4.4	ICW3—Master Controller Initialization Command Word 3 Register (LPC I/F—D31:F0)	398
10.4.5	ICW3—Slave Controller Initialization Command Word 3 Register (LPC I/F—D31:F0)	399
10.4.6	ICW4—Initialization Command Word 4 Register (LPC I/F—D31:F0)	399
10.4.7	OCW1—Operational Control Word 1 (Interrupt Mask) Register (LPC I/F—D31:F0)	400
10.4.8	OCW2—Operational Control Word 2 Register (LPC I/F—D31:F0)	400
10.4.9	OCW3—Operational Control Word 3 Register (LPC I/F—D31:F0)	401
10.4.10	ELCR1—Master Controller Edge/Level Triggered Register (LPC I/F—D31:F0)	402
10.4.11	ELCR2—Slave Controller Edge/Level Triggered Register (LPC I/F—D31:F0)	403
10.5	Advanced Programmable Interrupt Controller (APIC)(D31:F0)	404
10.5.1	APIC Register Map (LPC I/F—D31:F0)	404
10.5.2	IND—Index Register (LPC I/F—D31:F0)	404
10.5.3	DAT—Data Register (LPC I/F—D31:F0)	405
10.5.4	EOIR—EOI Register (LPC I/F—D31:F0)	405
10.5.5	ID—Identification Register (LPC I/F—D31:F0)	406
10.5.6	VER—Version Register (LPC I/F—D31:F0)	406
10.5.7	REDIR_TBL—Redirection Table (LPC I/F—D31:F0)	407
10.6	Real Time Clock Registers (LPC I/F—D31:F0)	409
10.6.1	I/O Register Address Map (LPC I/F—D31:F0)	409
10.6.2	Indexed Registers (LPC I/F—D31:F0)	410
10.6.2.1	RTC_REGA—Register A (LPC I/F—D31:F0)	411
10.6.2.2	RTC_REGB—Register B (General Configuration) (LPC I/F—D31:F0)	412
10.6.2.3	RTC_REGC—Register C (Flag Register) (LPC I/F—D31:F0)	413



10.6.2.4	RTC_REGD—Register D (Flag Register) (LPC I/F—D31:F0)	414
10.7	Processor Interface Registers (LPC I/F—D31:F0)	415
10.7.1	NMI_SC—NMI Status and Control Register (LPC I/F—D31:F0)	415
10.7.2	NMI_EN—NMI Enable (and Real Time Clock Index) Register (LPC I/F—D31:F0)	416
10.7.3	PORT92—Fast A20 and Init Register (LPC I/F—D31:F0)	416
10.7.4	COPROC_ERR—Coprocessor Error Register (LPC I/F—D31:F0)	417
10.7.5	RST_CNT—Reset Control Register (LPC I/F—D31:F0)	417
10.8	Power Management Registers (PM—D31:F0)	418
10.8.1	Power Management PCI Configuration Registers (PM—D31:F0)	418
10.8.1.1	GEN_PMCON_1—General PM Configuration 1 Register (PM—D31:F0)	419
10.8.1.2	GEN_PMCON_2—General PM Configuration 2 Register (PM—D31:F0)	420
10.8.1.3	GEN_PMCON_3—General PM Configuration 3 Register (PM—D31:F0)	422
10.8.1.4	Cx-STATE_CNF—Cx State Configuration Register (PM—D31:F0) (Mobile/Ultra Mobile Only)	424
10.8.1.5	C4-TIMING_CNT—C4 Timing Control Register (PM—D31:F0) (Mobile/Ultra Mobile Only)	425
10.8.1.6	BM_BREAK_EN Register (PM—D31:F0) (Mobile/Ultra Mobile Only)	426
10.8.1.7	MSC_FUN—Miscellaneous Functionality Register (PM—D31:F0)	427
10.8.1.8	EL_STS—Intel® Quick Resume Technology Status Register (PM—D31:F0) (ICH7DH Only)	427
10.8.1.9	EL_CNT1—Intel® Quick Resume Technology Control 1 Register (PM—D31:F0) (ICH7DH Only)	428
10.8.1.10	EL_CNT2—Intel® Quick Resume Technology Control 2 Register (PM—D31:F0) (ICH7DH Only)	429
10.8.1.11	GPIO_ROUT—GPIO Routing Control Register (PM—D31:F0)	429
10.8.2	APM I/O Decode	430
10.8.2.1	APM_CNT—Advanced Power Management Control Port Register	430
10.8.2.2	APM_STS—Advanced Power Management Status Port Register	430
10.8.3	Power Management I/O Registers	431
10.8.3.1	PM1_STS—Power Management 1 Status Register	432
10.8.3.2	PM1_EN—Power Management 1 Enable Register	435
10.8.3.3	PM1_CNT—Power Management 1 Control	436
10.8.3.4	PM1_TMR—Power Management 1 Timer Register	437
10.8.3.5	PROC_CNT—Processor Control Register	437
10.8.3.6	LV2—Level 2 Register (Mobile/Ultra Mobile Only)	439
10.8.3.7	LV3—Level 3 Register (Mobile/Ultra Mobile Only)	439
10.8.3.8	LV4—Level 4 Register (Mobile/Ultra Mobile Only)	439
10.8.3.9	PM2_CNT—Power Management 2 Control Register (Mobile/Ultra Mobile Only)	440
10.8.3.10	GPE0_STS—General Purpose Event 0 Status Register	440
10.8.3.11	GPE0_EN—General Purpose Event 0 Enables Register	444
10.8.3.12	SMI_EN—SMI Control and Enable Register	447
10.8.3.13	SMI_STS—SMI Status Register	449
10.8.3.14	ALT_GP_SMI_EN—Alternate GPI SMI Enable Register	452
10.8.3.15	ALT_GP_SMI_STS—Alternate GPI SMI Status Register	452
10.8.3.16	GPE_CNTL—General Purpose Control Register	453
10.8.3.17	DEVACT_STS—Device Activity Status Register	454
10.8.3.18	SS_CNT—Intel SpeedStep® Technology Control Register (Mobile/Ultra Mobile Only)	455
10.8.3.19	C3_RES—C3 Residency Register (Mobile/Ultra Mobile Only)	455
10.9	System Management TCO Registers (D31:F0)	456
10.9.1	TCO_RLD—TCO Timer Reload and Current Value Register	456
10.9.2	TCO_DAT_IN—TCO Data In Register	457
10.9.3	TCO_DAT_OUT—TCO Data Out Register	457



10.9.4	TCO1_STS—TCO1 Status Register .....	457
10.9.5	TCO2_STS—TCO2 Status Register .....	459
10.9.6	TCO1_CNT—TCO1 Control Register .....	460
10.9.7	TCO2_CNT—TCO2 Control Register .....	461
10.9.8	TCO_MESSAGE1 and TCO_MESSAGE2 Registers.....	461
10.9.9	TCO_WDCNT—TCO Watchdog Control Register .....	462
10.9.10	SW_IRQ_GEN—Software IRQ Generation Register .....	462
10.9.11	TCO_TMR—TCO Timer Initial Value Register .....	462
10.10	General Purpose I/O Registers (D31:F0) .....	463
10.10.1	GPIO_USE_SEL—GPIO Use Select Register .....	464
10.10.2	GP_IO_SEL—GPIO Input/Output Select Register.....	464
10.10.3	GP_LVL—GPIO Level for Input or Output Register .....	465
10.10.4	GPO_BLINK—GPO Blink Enable Register .....	465
10.10.5	GPI_INV—GPIO Signal Invert Register .....	466
10.10.6	GPIO_USE_SEL2—GPIO Use Select 2 Register[63:32] .....	466
10.10.7	GP_IO_SEL2—GPIO Input/Output Select 2 Register[63:32] .....	467
10.10.8	GP_LVL2—GPIO Level for Input or Output 2 Register[63:32].....	467
<b>11</b>	<b>UHCI Controllers Registers</b> .....	<b>469</b>
11.1	PCI Configuration Registers (USB—D29:F0/F1/F2/F3) .....	469
11.1.1	VID—Vendor Identification Register (USB—D29:F0/F1/F2/F3) .....	470
11.1.2	DID—Device Identification Register (USB—D29:F0/F1/F2/F3) .....	470
11.1.3	PCICMD—PCI Command Register (USB—D29:F0/F1/F2/F3) .....	470
11.1.4	PCISTS—PCI Status Register (USB—D29:F0/F1/F2/F3) .....	471
11.1.5	RID—Revision Identification Register (USB—D29:F0/F1/F2/F3) .....	471
11.1.6	PI—Programming Interface Register (USB—D29:F0/F1/F2/F3) .....	472
11.1.7	SCC—Sub Class Code Register (USB—D29:F0/F1/F2/F3) .....	472
11.1.8	BCC—Base Class Code Register (USB—D29:F0/F1/F2/F3).....	472
11.1.9	MLT—Master Latency Timer Register (USB—D29:F0/F1/F2/F3) .....	473
11.1.10	HEADTYP—Header Type Register (USB—D29:F0/F1/F2/F3) .....	473
11.1.11	BASE—Base Address Register (USB—D29:F0/F1/F2/F3) .....	474
11.1.12	SVID — Subsystem Vendor Identification Register (USB—D29:F0/F1/F2/F3) .....	474
11.1.13	SID — Subsystem Identification Register (USB—D29:F0/F1/F2/F3) .....	474
11.1.14	INT_LN—Interrupt Line Register (USB—D29:F0/F1/F2/F3).....	475
11.1.15	INT_PN—Interrupt Pin Register (USB—D29:F0/F1/F2/F3) .....	475
11.1.16	USB_RELNUM—Serial Bus Release Number Register (USB—D29:F0/F1/F2/F3) .....	475
11.1.17	USB_LEGKEY—USB Legacy Keyboard/Mouse Control Register (USB—D29:F0/F1/F2/F3).....	476
11.1.18	USB_RES—USB Resume Enable Register (USB—D29:F0/F1/F2/F3) .....	478
11.1.19	CWP—Core Well Policy Register (USB—D29:F0/F1/F2/F3) .....	478
11.2	USB I/O Registers.....	479
11.2.1	USBCMD—USB Command Register .....	480
11.2.2	USBSTS—USB Status Register .....	483
11.2.3	USBINTR—USB Interrupt Enable Register .....	484
11.2.4	FRNUM—Frame Number Register .....	484
11.2.5	FRBASEADD—Frame List Base Address Register .....	485
11.2.6	SOFMOD—Start of Frame Modify Register .....	486
11.2.7	PORTSC[0,1]—Port Status and Control Register .....	487
<b>12</b>	<b>SATA Controller Registers (D31:F2) (Desktop and Mobile Only)</b> .....	<b>489</b>
12.1	PCI Configuration Registers (SATA—D31:F2).....	489
12.1.1	VID—Vendor Identification Register (SATA—D31:F2).....	491
12.1.2	DID—Device Identification Register (SATA—D31:F2).....	491
12.1.3	PCICMD—PCI Command Register (SATA—D31:F2).....	491
12.1.4	PCISTS — PCI Status Register (SATA—D31:F2) .....	492





12.1.5	RID—Revision Identification Register (SATA—D31:F2)	493
12.1.6	PI—Programming Interface Register (SATA—D31:F2)	493
12.1.6.1	When Sub Class Code Register (D31:F2:Offset 0Ah) = 01h	493
12.1.6.2	When Sub Class Code Register (D31:F2:Offset 0Ah) = 04h	494
12.1.6.3	When Sub Class Code Register (D31:F2:Offset 0Ah) = 06h	494
12.1.7	SCC—Sub Class Code Register (SATA—D31:F2)	495
12.1.8	BCC—Base Class Code Register (SATA—D31:F2SATA—D31:F2)	495
12.1.9	PMLT—Primary Master Latency Timer Register (SATA—D31:F2)	495
12.1.10	PCMD_BAR—Primary Command Block Base Address Register (SATA—D31:F2)	496
12.1.11	PCNL_BAR—Primary Control Block Base Address Register (SATA—D31:F2)	496
12.1.12	SCMD_BAR—Secondary Command Block Base Address Register (IDE D31:F1)	496
12.1.13	SCNL_BAR—Secondary Control Block Base Address Register (IDE D31:F1)	497
12.1.14	BAR — Legacy Bus Master Base Address Register (SATA—D31:F2)	497
12.1.15	ABAR — AHCI Base Address Register (SATA—D31:F2)	497
12.1.15.1	Non AHCI Capable (Intel® ICH7 Feature Supported Components Only)	497
12.1.15.2	AHCI Capable (Intel® ICH7R, ICH7DH, and Mobile Only)	498
12.1.16	SVID—Subsystem Vendor Identification Register (SATA—D31:F2)	498
12.1.17	SID—Subsystem Identification Register (SATA—D31:F2)	498
12.1.18	CAP—Capabilities Pointer Register (SATA—D31:F2)	499
12.1.19	INT_LN—Interrupt Line Register (SATA—D31:F2)	499
12.1.20	INT_PN—Interrupt Pin Register (SATA—D31:F2)	499
12.1.21	IDE_TIMP — Primary IDE Timing Register (SATA—D31:F2)	499
12.1.22	IDE_TIMS — Slave IDE Timing Register (SATA—D31:F2)	501
12.1.23	SDMA_CNT—Synchronous DMA Control Register (SATA—D31:F2)	502
12.1.24	SDMA_TIM—Synchronous DMA Timing Register (SATA—D31:F2)	503
12.1.25	IDE_CONFIG—IDE I/O Configuration Register (SATA—D31:F2)	504
12.1.26	PID—PCI Power Management Capability Identification Register (SATA—D31:F2)	506
12.1.27	PC—PCI Power Management Capabilities Register (SATA—D31:F2)	506
12.1.28	PMCS—PCI Power Management Control and Status Register (SATA—D31:F2)	507
12.1.29	MSICI—Message Signaled Interrupt Capability Identification (SATA—D31:F2)	507
12.1.30	MSIMC—Message Signaled Interrupt Message Control (SATA—D31:F2)	507
12.1.31	MSIMA— Message Signaled Interrupt Message Address (SATA—D31:F2)	508
12.1.32	MSIMD—Message Signaled Interrupt Message Data (SATA—D31:F2)	509
12.1.33	MAP—Address Map Register (SATA—D31:F2)	509
12.1.34	PCS—Port Control and Status Register (SATA—D31:F2)	510
12.1.35	SIR—SATA Initialization Register	511
12.1.36	SIRI—SATA Indexed Registers Index	512
12.1.37	STRD—SATA Indexed Register Data	512
12.1.37.1	STTT1—SATA Indexed Registers Index 00h (SATA TX Termination Test Register 1)	513
12.1.37.2	STME—SATA Indexed Registers Index C1h (SATA Test Mode Enable Register)	513
12.1.37.3	STTT2 — SATA Indexed Registers Index 74h (SATA TX Termination Test Register 2)	514
12.1.38	SCAPO—SATA Capability Register 0 (SATA—D31:F2)	514
12.1.39	SCAP1—SATA Capability Register 1 (SATA—D31:F2)	515
12.1.40	ATC—APM Trapping Control Register (SATA—D31:F2)	516
12.1.41	ATS—APM Trapping Status Register (SATA—D31:F2)	516
12.1.42	SP — Scratch Pad Register (SATA—D31:F2)	516



12.1.43	BFCS—BIST FIS Control/Status Register (SATA–D31:F2)	517
12.1.44	BFTD1—BIST FIS Transmit Data1 Register (SATA–D31:F2)	518
12.1.45	BFTD2—BIST FIS Transmit Data2 Register (SATA–D31:F2)	519
12.2	Bus Master IDE I/O Registers (D31:F2)	519
12.2.1	BMIC[P,S]—Bus Master IDE Command Register (D31:F2)	520
12.2.2	BMIS[P,S]—Bus Master IDE Status Register (D31:F2)	521
12.2.3	BMID[P,S]—Bus Master IDE Descriptor Table Pointer Register (D31:F2)	522
12.2.4	AIR—AHCI Index Register (D31:F2)	522
12.2.5	AIDR—AHCI Index Data Register (D31:F2)	522
12.3	AHCI Registers (D31:F2) (Intel® ICH7R, ICH7DH, ICH7-M, and ICH7-M DH Only)	523
12.3.1	AHCI Generic Host Control Registers (D31:F2)	524
12.3.1.1	CAP—Host Capabilities Register (D31:F2)	524
12.3.1.2	GHC—Global ICH7 Control Register (D31:F2)	526
12.3.1.3	IS—Interrupt Status Register (D31:F2)	527
12.3.1.4	PI—Ports Implemented Register (D31:F2)	528
12.3.1.5	VS—AHCI Version (D31:F2)	528
12.3.2	Port Registers (D31:F2)	529
12.3.2.1	PxCLB—Port [3:0] Command List Base Address Register (D31:F2)	531
12.3.2.2	PxCLBU—Port [3:0] Command List Base Address Upper 32-Bits Register (D31:F2)	531
12.3.2.3	PxFB—Port [3:0] FIS Base Address Register (D31:F2)	531
12.3.2.4	PxFBU—Port [3:0] FIS Base Address Upper 32-Bits Register (D31:F2)	532
12.3.2.5	PxIS—Port [3:0] Interrupt Status Register (D31:F2)	532
12.3.2.6	PxIE—Port [3:0] Interrupt Enable Register (D31:F2)	533
12.3.2.7	PxCMD—Port [3:0] Command Register (D31:F2)	535
12.3.2.8	PxTFD—Port [3:0] Task File Data Register (D31:F2)	538
12.3.2.9	PxSIG—Port [3:0] Signature Register (D31:F2)	538
12.3.2.10	PxSSTS—Port [3:0] Serial ATA Status Register (D31:F2)	539
12.3.2.11	PxSCTL — Port [3:0] Serial ATA Control Register (D31:F2)	540
12.3.2.12	PxSERR—Port [3:0] Serial ATA Error Register (D31:F2)	541
12.3.2.13	PxSACT—Port [3:0] Serial ATA Active (D31:F2)	542
12.3.2.14	PxCI—Port [3:0] Command Issue Register (D31:F2)	543
<b>13</b>	<b>EHCI Controller Registers (D29:F7)</b>	<b>545</b>
13.1	USB EHCI Configuration Registers (USB EHCI–D29:F7)	545
13.1.1	VID—Vendor Identification Register (USB EHCI–D29:F7)	546
13.1.2	DID—Device Identification Register (USB EHCI–D29:F7)	546
13.1.3	PCICMD—PCI Command Register (USB EHCI–D29:F7)	547
13.1.4	PCISTS—PCI Status Register (USB EHCI–D29:F7)	548
13.1.5	RID—Revision Identification Register (USB EHCI–D29:F7)	549
13.1.6	PI—Programming Interface Register (USB EHCI–D29:F7)	549
13.1.7	SCC—Sub Class Code Register (USB EHCI–D29:F7)	549
13.1.8	BCC—Base Class Code Register (USB EHCI–D29:F7)	549
13.1.9	PMLT—Primary Master Latency Timer Register (USB EHCI–D29:F7)	550
13.1.10	MEM_BASE—Memory Base Address Register (USB EHCI–D29:F7)	550
13.1.11	SVID—USB EHCI Subsystem Vendor ID Register (USB EHCI–D29:F7)	550
13.1.12	SID—USB EHCI Subsystem ID Register (USB EHCI–D29:F7)	551
13.1.13	CAP_PTR—Capabilities Pointer Register (USB EHCI–D29:F7)	551
13.1.14	INT_LN—Interrupt Line Register (USB EHCI–D29:F7)	551
13.1.15	INT_PN—Interrupt Pin Register (USB EHCI–D29:F7)	551
13.1.16	PWR_CAPID—PCI Power Management Capability ID Register (USB EHCI–D29:F7)	552
13.1.17	NXT_PTR1—Next Item Pointer #1 Register (USB EHCI–D29:F7)	552
13.1.18	PWR_CAP—Power Management Capabilities Register (USB EHCI–D29:F7)	552



13.1.19	PWR_CNTL_STS—Power Management Control/Status Register (USB EHCI—D29:F7)	553
13.1.20	DEBUG_CAPID—Debug Port Capability ID Register (USB EHCI—D29:F7)	554
13.1.21	NXT_PTR2—Next Item Pointer #2 Register (USB EHCI—D29:F7)	554
13.1.22	DEBUG_BASE—Debug Port Base Offset Register (USB EHCI—D29:F7)	554
13.1.23	USB_RELNUM—USB Release Number Register (USB EHCI—D29:F7)	555
13.1.24	FL_ADJ—Frame Length Adjustment Register (USB EHCI—D29:F7)	555
13.1.25	PWAKE_CAP—Port Wake Capability Register (USB EHCI—D29:F7)	556
13.1.26	LEG_EXT_CAP—USB EHCI Legacy Support Extended Capability Register (USB EHCI—D29:F7)	556
13.1.27	LEG_EXT_CS—USB EHCI Legacy Support Extended Control / Status Register (USB EHCI—D29:F7)	557
13.1.28	SPECIAL_SMI—Intel Specific USB 2.0 SMI Register (USB EHCI—D29:F7)	559
13.1.29	ACCESS_CNTL—Access Control Register (USB EHCI—D29:F7)	560
13.2	Memory-Mapped I/O Registers	561
13.2.1	Host Controller Capability Registers	561
13.2.1.1	CAPLENGTH—Capability Registers Length Register	561
13.2.1.2	HCVERSION—Host Controller Interface Version Number Register	562
13.2.1.3	HCSPARAMS—Host Controller Structural Parameters	562
13.2.1.4	HCCPARAMS—Host Controller Capability Parameters Register	563
13.2.2	Host Controller Operational Registers	564
13.2.2.1	USB2.0_CMD—USB 2.0 Command Register	565
13.2.2.2	USB2.0_STS—USB 2.0 Status Register	568
13.2.2.3	USB2.0_INTR—USB 2.0 Interrupt Enable Register	570
13.2.2.4	FRINDEX—Frame Index Register	571
13.2.2.5	CTRLDSSEGMENT—Control Data Structure Segment Register	572
13.2.2.6	PERIODICLISTBASE—Periodic Frame List Base Address Register	572
13.2.2.7	ASYNCLISTADDR—Current Asynchronous List Address Register	573
13.2.2.8	CONFIGFLAG—Configure Flag Register	573
13.2.2.9	PORTSC—Port N Status and Control Register	573
13.2.3	USB 2.0-Based Debug Port Register	577
13.2.3.1	CNTL_STS—Control/Status Register	577
13.2.3.2	USBPID—USB PIDs Register	580
13.2.3.3	DATABUF[7:0]—Data Buffer Bytes[7:0] Register	581
13.2.3.4	CONFIG—Configuration Register	581
14	<b>SMBus Controller Registers (D31:F3)</b>	583
14.1	PCI Configuration Registers (SMBUS—D31:F3)	583
14.1.1	VID—Vendor Identification Register (SMBUS—D31:F3)	583
14.1.2	DID—Device Identification Register (SMBUS—D31:F3)	584
14.1.3	PCICMD—PCI Command Register (SMBUS—D31:F3)	584
14.1.4	PCISTS—PCI Status Register (SMBUS—D31:F3)	585
14.1.5	RID—Revision Identification Register (SMBUS—D31:F3)	585
14.1.6	PI—Programming Interface Register (SMBUS—D31:F3)	586
14.1.7	SCC—Sub Class Code Register (SMBUS—D31:F3)	586
14.1.8	BCC—Base Class Code Register (SMBUS—D31:F3)	586
14.1.9	SMB_BASE—SMBUS Base Address Register (SMBUS—D31:F3)	586
14.1.10	SVID — Subsystem Vendor Identification Register (SMBUS—D31:F2/F4)	587
14.1.11	SID — Subsystem Identification Register (SMBUS—D31:F2/F4)	587
14.1.12	INT_LN—Interrupt Line Register (SMBUS—D31:F3)	587
14.1.13	INT_PN—Interrupt Pin Register (SMBUS—D31:F3)	587
14.1.14	HOSTC—Host Configuration Register (SMBUS—D31:F3)	588
14.2	SMBus I/O Registers	588
14.2.1	HST_STS—Host Status Register (SMBUS—D31:F3)	589
14.2.2	HST_CNT—Host Control Register (SMBUS—D31:F3)	591
14.2.3	HST_CMD—Host Command Register (SMBUS—D31:F3)	593



14.2.4	XMIT_SLVA—Transmit Slave Address Register (SMBUS—D31:F3)	593
14.2.5	HST_D0—Host Data 0 Register (SMBUS—D31:F3)	593
14.2.6	HST_D1—Host Data 1 Register (SMBUS—D31:F3)	593
14.2.7	Host_BLOCK_DB—Host Block Data Byte Register (SMBUS—D31:F3)	594
14.2.8	PEC—Packet Error Check (PEC) Register (SMBUS—D31:F3)	594
14.2.9	RCV_SLVA—Receive Slave Address Register (SMBUS—D31:F3)	595
14.2.10	SLV_DATA—Receive Slave Data Register (SMBUS—D31:F3)	595
14.2.11	AUX_STS—Auxiliary Status Register (SMBUS—D31:F3)	595
14.2.12	AUX_CTL—Auxiliary Control Register (SMBUS—D31:F3)	596
14.2.13	SMLINK_PIN_CTL—SMLink Pin Control Register (SMBUS—D31:F3)	596
14.2.14	SMBUS_PIN_CTL—SMBUS Pin Control Register (SMBUS—D31:F3)	597
14.2.15	SLV_STS—Slave Status Register (SMBUS—D31:F3)	597
14.2.16	SLV_CMD—Slave Command Register (SMBUS—D31:F3)	598
14.2.17	NOTIFY_DADDR—Notify Device Address Register (SMBUS—D31:F3)	598
14.2.18	NOTIFY_DLOW—Notify Data Low Byte Register (SMBUS—D31:F3)	599
14.2.19	NOTIFY_DHIGH—Notify Data High Byte Register (SMBUS—D31:F3)	599
<b>15</b>	<b>IDE Controller Registers (D31:F1)</b>	<b>601</b>
15.1	PCI Configuration Registers (IDE—D31:F1)	601
15.1.1	VID—Vendor Identification Register (IDE—D31:F1)	602
15.1.2	DID—Device Identification Register (IDE—D31:F1)	602
15.1.3	PCICMD—PCI Command Register (IDE—D31:F1)	602
15.1.4	PCISTS — PCI Status Register (IDE—D31:F1)	603
15.1.5	RID—Revision Identification Register (IDE—D31:F1)	603
15.1.6	PI—Programming Interface Register (IDE—D31:F1)	604
15.1.7	SCC—Sub Class Code Register (IDE—D31:F1)	604
15.1.8	BCC—Base Class Code Register (IDE—D31:F1)	604
15.1.9	CLS—Cache Line Size Register (IDE—D31:F1)	604
15.1.10	PMLT—Primary Master Latency Timer Register (IDE—D31:F1)	605
15.1.11	PCMD_BAR—Primary Command Block Base Address Register (IDE—D31:F1)	605
15.1.12	PCNL_BAR—Primary Control Block Base Address Register (IDE—D31:F1)	605
15.1.13	SCMD_BAR—Secondary Command Block Base Address Register (IDE D31:F1)	606
15.1.14	SCNL_BAR—Secondary Control Block Base Address Register (IDE D31:F1)	606
15.1.15	BM_BASE — Bus Master Base Address Register (IDE—D31:F1)	607
15.1.16	IDE_SVID — Subsystem Vendor Identification (IDE—D31:F1)	607
15.1.17	IDE_SID — Subsystem Identification Register (IDE—D31:F1)	607
15.1.18	INTR_LN—Interrupt Line Register (IDE—D31:F1)	608
15.1.19	INTR_PN—Interrupt Pin Register (IDE—D31:F1)	608
15.1.20	IDE_TIMP — IDE Primary Timing Register (IDE—D31:F1)	608
15.1.21	IDE_TIMS — IDE Secondary Timing Register (IDE—D31:F1)	610
15.1.22	SLV_IDETIM—Slave (Drive 1) IDE Timing Register (IDE—D31:F1) (Desktop and Mobile Only)	610
15.1.23	SDMA_CNT—Synchronous DMA Control Register (IDE—D31:F1)	611
15.1.24	SDMA_TIM—Synchronous DMA Timing Register (IDE—D31:F1)	611
15.1.25	IDE_CONFIG—IDE I/O Configuration Register (IDE—D31:F1)	612
15.1.26	ATC—APM Trapping Control Register (IDE—D31:F1)	614
15.1.27	ATS—APM Trapping Status Register (IDE—D31:F1)	614
15.2	Bus Master IDE I/O Registers (IDE—D31:F1)	615
15.2.1	BMICP—Bus Master IDE Command Register (IDE—D31:F1)	615
15.2.2	BMISP—Bus Master IDE Status Register (IDE—D31:F1)	616
15.2.3	BMIDP—Bus Master IDE Descriptor Table Pointer Register (IDE—D31:F1)	617



<b>16</b>	<b>AC '97 Audio Controller Registers (D30:F2) (Desktop and Mobile Only)</b>	<b>619</b>
16.1	AC '97 Audio PCI Configuration Space (Audio—D30:F2)	619
16.1.1	VID—Vendor Identification Register (Audio—D30:F2)	620
16.1.2	DID—Device Identification Register (Audio—D30:F2)	620
16.1.3	PCICMD—PCI Command Register (Audio—D30:F2)	621
16.1.4	PCISTS—PCI Status Register (Audio—D30:F2)	622
16.1.5	RID—Revision Identification Register (Audio—D30:F2)	622
16.1.6	PI—Programming Interface Register (Audio—D30:F2)	623
16.1.7	SCC—Sub Class Code Register (Audio—D30:F2)	623
16.1.8	BCC—Base Class Code Register (Audio—D30:F2)	623
16.1.9	HEADTYP—Header Type Register (Audio—D30:F2)	623
16.1.10	NAMBAR—Native Audio Mixer Base Address Register (Audio—D30:F2)	624
16.1.11	NABMBAR—Native Audio Bus Mastering Base Address Register (Audio—D30:F2)	625
16.1.12	MMBAR—Mixer Base Address Register (Audio—D30:F2)	625
16.1.13	MBBAR—Bus Master Base Address Register (Audio—D30:F2)	626
16.1.14	SVID—Subsystem Vendor Identification Register (Audio—D30:F2)	626
16.1.15	SID—Subsystem Identification Register (Audio—D30:F2)	627
16.1.16	CAP_PTR—Capabilities Pointer Register (Audio—D30:F2)	627
16.1.17	INT_LN—Interrupt Line Register (Audio—D30:F2)	627
16.1.18	INT_PN—Interrupt Pin Register (Audio—D30:F2)	628
16.1.19	PCID—Programmable Codec Identification Register (Audio—D30:F2)	628
16.1.20	CFG—Configuration Register (Audio—D30:F2)	628
16.1.21	PID—PCI Power Management Capability Identification Register (Audio—D30:F2)	629
16.1.22	PC—Power Management Capabilities Register (Audio—D30:F2)	629
16.1.23	PCS—Power Management Control and Status Register (Audio—D30:F2)	630
16.2	AC '97 Audio I/O Space (D30:F2)	631
16.2.1	x_BDBAR—Buffer Descriptor Base Address Register (Audio—D30:F2)	635
16.2.2	x_CIV—Current Index Value Register (Audio—D30:F2)	635
16.2.3	x_LVI—Last Valid Index Register (Audio—D30:F2)	636
16.2.4	x_SR—Status Register (Audio—D30:F2)	636
16.2.5	x_PICB—Position In Current Buffer Register (Audio—D30:F2)	638
16.2.6	x_PIV—Prefetched Index Value Register (Audio—D30:F2)	638
16.2.7	x_CR—Control Register (Audio—D30:F2)	639
16.2.8	GLOB_CNT—Global Control Register (Audio—D30:F2)	640
16.2.9	GLOB_STA—Global Status Register (Audio—D30:F2)	642
16.2.10	CAS—Codec Access Semaphore Register (Audio—D30:F2)	644
16.2.11	SDM—SDATA_IN Map Register (Audio—D30:F2)	645
<b>17</b>	<b>AC '97 Modem Controller Registers (D30:F3) (Desktop and Mobile Only)</b>	<b>647</b>
17.1	AC '97 Modem PCI Configuration Space (D30:F3)	647
17.1.1	VID—Vendor Identification Register (Modem—D30:F3)	648
17.1.2	DID—Device Identification Register (Modem—D30:F3)	648
17.1.3	PCICMD—PCI Command Register (Modem—D30:F3)	648
17.1.4	PCISTS—PCI Status Register (Modem—D30:F3)	649
17.1.5	RID—Revision Identification Register (Modem—D30:F3)	650
17.1.6	PI—Programming Interface Register (Modem—D30:F3)	650
17.1.7	SCC—Sub Class Code Register (Modem—D30:F3)	650
17.1.8	BCC—Base Class Code Register (Modem—D30:F3)	650
17.1.9	HEADTYP—Header Type Register (Modem—D30:F3)	650
17.1.10	MMBAR—Modem Mixer Base Address Register (Modem—D30:F3)	651
17.1.11	MBAR—Modem Base Address Register (Modem—D30:F3)	651
17.1.12	SVID—Subsystem Vendor Identification Register (Modem—D30:F3)	652
17.1.13	SID—Subsystem Identification Register (Modem—D30:F3)	652



17.1.14	CAP_PTR—Capabilities Pointer Register (Modem—D30:F3)	652
17.1.15	INT_LN—Interrupt Line Register (Modem—D30:F3)	653
17.1.16	INT_PIN—Interrupt Pin Register (Modem—D30:F3)	653
17.1.17	PID—PCI Power Management Capability Identification Register (Modem—D30:F3)	653
17.1.18	PC—Power Management Capabilities Register (Modem—D30:F3)	654
17.1.19	PCS—Power Management Control and Status Register (Modem—D30:F3)	654
17.2	AC '97 Modem I/O Space (D30:F3)	655
17.2.1	x_BDBAR—Buffer Descriptor List Base Address Register (Modem—D30:F3)	657
17.2.2	x_CIV—Current Index Value Register (Modem—D30:F3)	657
17.2.3	x_LVI—Last Valid Index Register (Modem—D30:F3)	657
17.2.4	x_SR—Status Register (Modem—D30:F3)	658
17.2.5	x_PICB—Position in Current Buffer Register (Modem—D30:F3)	659
17.2.6	x_PIV—Prefetch Index Value Register (Modem—D30:F3)	659
17.2.7	x_CR—Control Register (Modem—D30:F3)	660
17.2.8	GLOB_CNT—Global Control Register (Modem—D30:F3)	661
17.2.9	GLOB_STA—Global Status Register (Modem—D30:F3)	662
17.2.10	CAS—Codec Access Semaphore Register (Modem—D30:F3)	664
<b>18</b>	<b>PCI Express* Configuration Registers (Desktop and Mobile Only)</b>	<b>665</b>
18.1	PCI Express* Configuration Registers (PCI Express—D28:F0/F1/F2/F3/F4/F5)	665
18.1.1	VID—Vendor Identification Register (PCI Express—D28:F0/F1/F2/F3/F4/F5)	667
18.1.2	DID—Device Identification Register (PCI Express—D28:F0/F1/F2/F3/F4/F5)	667
18.1.3	PCICMD—PCI Command Register (PCI Express—D28:F0/F1/F2/F3/F4/F5)	667
18.1.4	PCISTS—PCI Status Register (PCI Express—D28:F0/F1/F2/F3/F4/F5)	668
18.1.5	RID—Revision Identification Register (PCI Express—D28:F0/F1/F2/F3/F4/F5)	669
18.1.6	PI—Programming Interface Register (PCI Express—D28:F0/F1/F2/F3/F4/F5)	669
18.1.7	SCC—Sub Class Code Register (PCI Express—D28:F0/F1/F2/F3/F4/F5)	669
18.1.8	BCC—Base Class Code Register (PCI Express—D28:F0/F1/F2/F3/F4/F5)	670
18.1.9	CLS—Cache Line Size Register (PCI Express—D28:F0/F1/F2/F3/F4/F5)	670
18.1.10	PLT—Primary Latency Timer Register (PCI Express—D28:F0/F1/F2/F3/F4/F5)	670
18.1.11	HEADTYP—Header Type Register (PCI Express—D28:F0/F1/F2/F3/F4/F5)	670
18.1.12	BNUM—Bus Number Register (PCI Express—D28:F0/F1/F2/F3/F4/F5)	671
18.1.13	IOBL—I/O Base and Limit Register (PCI Express—D28:F0/F1/F2/F3/F4/F5)	671
18.1.14	SSTS—Secondary Status Register (PCI Express—D28:F0/F1/F2/F3/F4/F5)	672
18.1.15	MBL—Memory Base and Limit Register (PCI Express—D28:F0/F1/F2/F3/F4/F5)	673
18.1.16	PMBL—Prefetchable Memory Base and Limit Register (PCI Express—D28:F0/F1/F2/F3/F4/F5)	673
18.1.17	PMBU32—Prefetchable Memory Base Upper 32 Bits Register (PCI Express—D28:F0/F1/F2/F3/F4/F5)	674



18.1.18 PMLU32—Prefetchable Memory Limit Upper 32 Bits Register (PCI Express—D28: F0/F1/F2/F3/F4/F5) .....	674
18.1.19 CAPP—Capabilities List Pointer Register (PCI Express—D28: F0/F1/F2/F3/F4/F5) .....	674
18.1.20 INTR—Interrupt Information Register (PCI Express—D28: F0/F1/F2/F3/F4/F5) .....	675
18.1.21 BCTRL—Bridge Control Register (PCI Express—D28: F0/F1/F2/F3/F4/F5) .....	676
18.1.22 CLIST—Capabilities List Register (PCI Express—D28: F0/F1/F2/F3/F4/F5) .....	677
18.1.23 XCAP—PCI Express* Capabilities Register (PCI Express—D28: F0/F1/F2/F3/F4/F5) .....	677
18.1.24 DCAP—Device Capabilities Register (PCI Express—D28: F0/F1/F2/F3/F4/F5) .....	678
18.1.25 DCTL—Device Control Register (PCI Express—D28: F0/F1/F2/F3/F4/F5) .....	679
18.1.26 DSTS—Device Status Register (PCI Express—D28: F0/F1/F2/F3/F4/F5) .....	680
18.1.27 LCAP—Link Capabilities Register (PCI Express—D28: F0/F1/F2/F3/F4/F5) .....	681
18.1.28 LCTL—Link Control Register (PCI Express—D28: F0/F1/F2/F3/F4/F5) .....	682
18.1.29 LSTS—Link Status Register (PCI Express—D28: F0/F1/F2/F3/F4/F5) .....	683
18.1.30 SLCAP—Slot Capabilities Register (PCI Express—D28: F0/F1/F2/F3/F4/F5) .....	684
18.1.31 SLCTL—Slot Control Register (PCI Express—D28: F0/F1/F2/F3/F4/F5) .....	685
18.1.32 SLSTS—Slot Status Register (PCI Express—D28: F0/F1/F2/F3/F4/F5) .....	686
18.1.33 RCTL—Root Control Register (PCI Express—D28: F0/F1/F2/F3/F4/F5) .....	687
18.1.34 RSTS—Root Status Register (PCI Express—D28: F0/F1/F2/F3/F4/F5) .....	687
18.1.35 MID—Message Signaled Interrupt Identifiers Register (PCI Express—D28: F0/F1/F2/F3/F4/F5) .....	688
18.1.36 MC—Message Signaled Interrupt Message Control Register (PCI Express—D28: F0/F1/F2/F3/F4/F5) .....	688
18.1.37 MA—Message Signaled Interrupt Message Address Register (PCI Express—D28: F0/F1/F2/F3/F4/F5) .....	688
18.1.38 MD—Message Signaled Interrupt Message Data Register (PCI Express—D28: F0/F1/F2/F3/F4/F5) .....	689
18.1.39 SVCAP—Subsystem Vendor Capability Register (PCI Express—D28: F0/F1/F2/F3/F4/F5) .....	689
18.1.40 SVID—Subsystem Vendor Identification Register (PCI Express—D28: F0/F1/F2/F3/F4/F5) .....	689
18.1.41 PMCAP—Power Management Capability Register (PCI Express—D28: F0/F1/F2/F3/F4/F5) .....	689
18.1.42 PMC—PCI Power Management Capabilities Register (PCI Express—D28: F0/F1/F2/F3/F4/F5) .....	690
18.1.43 PMCS—PCI Power Management Control and Status Register (PCI Express—D28: F0/F1/F2/F3/F4/F5) .....	690
18.1.44 MPC—Miscellaneous Port Configuration Register (PCI Express—D28: F0/F1/F2/F3/F4/F5) .....	691
18.1.45 SMSCS—SMI/SCI Status Register (PCI Express—D28: F0/F1/F2/F3/F4/F5) ...	693
18.1.46 RPDCGEN - Root Port Dynamic Clock Gating Enable (PCI Express—D28: F0/F1/F2/F3/F4/F5) (Mobile Only) .....	694
18.1.47 IPWS—Intel® PRO/Wireless 3945ABG Status (PCI Express—D28: F0/F1/F2/F3/F4/F5) (Mobile Only) .....	694
18.1.48 VCH—Virtual Channel Capability Header Register (PCI Express—D28: F0/F1/F2/F3/F4/F5) .....	695



18.1.49	VCAP2—Virtual Channel Capability 2 Register (PCI Express—D28:F0/F1/F2/F3/F4/F5)	695
18.1.50	PVC—Port Virtual Channel Control Register (PCI Express—D28:F0/F1/F2/F3/F4/F5)	695
18.1.51	PVS — Port Virtual Channel Status Register (PCI Express—D28:F0/F1/F2/F3/F4/F5)	696
18.1.52	V0CAP — Virtual Channel 0 Resource Capability Register (PCI Express—D28:F0/F1/F2/F3/F4/F5)	696
18.1.53	V0CTL — Virtual Channel 0 Resource Control Register (PCI Express—D28:F0/F1/F2/F3/F4/F5)	697
18.1.54	V0STS — Virtual Channel 0 Resource Status Register (PCI Express—D28:F0/F1/F2/F3/F4/F5)	697
18.1.55	UES — Uncorrectable Error Status Register (PCI Express—D28:F0/F1/F2/F3/F4/F5)	698
18.1.56	UEM — Uncorrectable Error Mask (PCI Express—D28:F0/F1/F2/F3/F4/F5)	699
18.1.57	UEV — Uncorrectable Error Severity Q(PCI Express—D28:F0/F1/F2/F3/F4/F5)	700
18.1.58	CES — Correctable Error Status Register (PCI Express—D28:F0/F1/F2/F3/F4/F5)	701
18.1.59	CEM — Correctable Error Mask Register (PCI Express—D28:F0/F1/F2/F3/F4/F5)	701
18.1.60	AECC — Advanced Error Capabilities and Control Register (PCI Express—D28:F0/F1/F2/F3/F4/F5)	702
18.1.61	RES — Root Error Status Register (PCI Express—D28:F0/F1/F2/F3/F4/F5)	702
18.1.62	RCTCL — Root Complex Topology Capability List Register (PCI Express—D28:F0/F1/F2/F3/F4/F5)	703
18.1.63	ESD — Element Self Description Register (PCI Express—D28:F0/F1/F2/F3/F4/F5)	703
18.1.64	ULD — Upstream Link Description Register (PCI Express—D28:F0/F1/F2/F3/F4/F5)	704
18.1.65	ULBA — Upstream Link Base Address Register (PCI Express—D28:F0/F1/F2/F3/F4/F5)	704
18.1.66	PEETM — PCI Express Extended Test Mode Register (PCI Express—D28:F0/F1/F2/F3/F4/F5)	704
<b>19</b>	<b>Intel® High Definition Audio Controller Registers (D27:F0)</b>	<b>705</b>
19.1	Intel® High Definition Audio PCI Configuration Space (Intel® High Definition Audio— D27:F0)	705
19.1.1	VID—Vendor Identification Register (Intel® High Definition Audio Controller—D27:F0)	707
19.1.2	DID—Device Identification Register (Intel® High Definition Audio Controller—D27:F0)	707
19.1.3	PCICMD—PCI Command Register (Intel® High Definition Audio Controller—D27:F0)	708
19.1.4	PCISTS—PCI Status Register (Intel® High Definition Audio Controller—D27:F0)	709
19.1.5	RID—Revision Identification Register (Intel® High Definition Audio Controller—D27:F0)	709
19.1.6	PI—Programming Interface Register (Intel® High Definition Audio Controller—D27:F0)	710
19.1.7	SCC—Sub Class Code Register (Intel® High Definition Audio Controller—D27:F0)	710
19.1.8	BCC—Base Class Code Register (Intel® High Definition Audio Controller—D27:F0)	710
19.1.9	CLS—Cache Line Size Register (Intel® High Definition Audio Controller—D27:F0)	710





19.1.10	LT—Latency Timer Register (Intel® High Definition Audio Controller—D27:F0) .....	710
19.1.11	HEADTYP—Header Type Register (Intel® High Definition Audio Controller—D27:F0) .....	711
19.1.12	HDBARL—Intel® High Definition Audio Lower Base Address Register (Intel® High Definition Audio—D27:F0) .....	711
19.1.13	HDBARU—Intel® High Definition Audio Upper Base Address Register (Intel® High Definition Audio Controller—D27:F0) .....	711
19.1.14	SVID—Subsystem Vendor Identification Register (Intel® High Definition Audio Controller—D27:F0) .....	712
19.1.15	SID—Subsystem Identification Register (Intel® High Definition Audio Controller—D27:F0) .....	712
19.1.16	CAPPTR—Capabilities Pointer Register (Audio—D30:F2) .....	713
19.1.17	INTLN—Interrupt Line Register (Intel® High Definition Audio Controller—D27:F0) .....	713
19.1.18	INTPN—Interrupt Pin Register (Intel® High Definition Audio Controller—D27:F0) .....	713
19.1.19	HDCTL—Intel® High Definition Audio Control Register (Intel® High Definition Audio Controller—D27:F0) .....	714
19.1.20	TCSEL—Traffic Class Select Register (Intel® High Definition Audio Controller—D27:F0) .....	715
19.1.21	DCKCTL—Docking Control Register (Mobile Only) (Intel® High Definition Audio Controller—D27:F0) .....	715
19.1.22	DCKSTS—Docking Status Register (Intel® High Definition Audio Controller—D27:F0) (Mobile Only) .....	716
19.1.23	PID—PCI Power Management Capability ID Register (Intel® High Definition Audio Controller—D27:F0) .....	716
19.1.24	PC—Power Management Capabilities Register (Intel® High Definition Audio Controller—D27:F0) .....	716
19.1.25	PCS—Power Management Control and Status Register (Intel® High Definition Audio Controller—D27:F0) .....	717
19.1.26	MID—MSI Capability ID Register (Intel® High Definition Audio Controller—D27:F0) .....	718
19.1.27	MMC—MSI Message Control Register (Intel® High Definition Audio Controller—D27:F0) .....	718
19.1.28	MMLA—MSI Message Lower Address Register (Intel® High Definition Audio Controller—D27:F0) .....	718
19.1.29	MMUA—MSI Message Upper Address Register (Intel® High Definition Audio Controller—D27:F0) .....	718
19.1.30	MMD—MSI Message Data Register (Intel® High Definition Audio Controller—D27:F0) .....	719
19.1.31	PXID—PCI Express* Capability ID Register (Intel® High Definition Audio Controller—D27:F0) (Desktop and Mobile Only) .....	719
19.1.32	PXC—PCI Express* Capabilities Register (Desktop and Mobile Only) (Intel® High Definition Audio Controller—D27:F0) .....	719
19.1.33	DEVCAP—Device Capabilities Register (Intel® High Definition Audio Controller—D27:F0) .....	720
19.1.34	DEVC—Device Control Register (Intel® High Definition Audio Controller—D27:F0) .....	721
19.1.35	DEVS—Device Status Register (Intel® High Definition Audio Controller—D27:F0) .....	721
19.1.36	VCCAP—Virtual Channel Enhanced Capability Header (Intel® High Definition Audio Controller—D27:F0) (Desktop and Mobile Only) .....	722
19.1.37	PVCCAP1—Port VC Capability Register 1 (Intel® High Definition Audio Controller—D27:F0) (Desktop and Mobile Only) .....	722



19.1.38	PVCCAP2 — Port VC Capability Register 2 (Intel® High Definition Audio Controller—D27:F0) .....	722
19.1.39	PVCCCTL — Port VC Control Register (Intel® High Definition Audio Controller—D27:F0) .....	723
19.1.40	PVCSTS—Port VC Status Register (Intel® High Definition Audio Controller—D27:F0) .....	723
19.1.41	VC0CAP—VC0 Resource Capability Register (Intel® High Definition Audio Controller—D27:F0) .....	723
19.1.42	VC0CTL—VC0 Resource Control Register (Intel® High Definition Audio Controller—D27:F0) .....	724
19.1.43	VC0STS—VC0 Resource Status Register (Intel® High Definition Audio Controller—D27:F0) .....	724
19.1.44	VCiCAP—VCi Resource Capability Register (Intel® High Definition Audio Controller—D27:F0) .....	725
19.1.45	VCiCTL—VCi Resource Control Register (Intel® High Definition Audio Controller—D27:F0) .....	725
19.1.46	VCiSTS—VCi Resource Status Register (Intel® High Definition Audio Controller—D27:F0) .....	726
19.1.47	RCCAP—Root Complex Link Declaration Enhanced Capability Header Register (Intel® High Definition Audio Controller—D27:F0) (Desktop and Mobile Only) .....	726
19.1.48	ESD—Element Self Description Register (Intel® High Definition Audio Controller—D27:F0) .....	726
19.1.49	L1DESC—Link 1 Description Register (Intel® High Definition Audio Controller—D27:F0) .....	727
19.1.50	L1ADDL—Link 1 Lower Address Register (Intel® High Definition Audio Controller—D27:F0) .....	727
19.1.51	L1ADDU—Link 1 Upper Address Register (Intel® High Definition Audio Controller—D27:F0) .....	727
19.2	Intel® High Definition Audio Memory-Mapped Configuration Registers (Intel® High Definition Audio— D27:F0) .....	728
19.2.1	GCAP—Global Capabilities Register (Intel® High Definition Audio Controller—D27:F0) .....	732
19.2.2	VMIN—Minor Version Register (Intel® High Definition Audio Controller—D27:F0) .....	732
19.2.3	VMAJ—Major Version Register (Intel® High Definition Audio Controller—D27:F0) .....	732
19.2.4	OUTPAY—Output Payload Capability Register (Intel® High Definition Audio Controller—D27:F0) .....	733
19.2.5	INPAY—Input Payload Capability Register (Intel® High Definition Audio Controller—D27:F0) .....	733
19.2.6	GCTL—Global Control Register (Intel® High Definition Audio Controller—D27:F0) .....	734
19.2.7	WAKEEN—Wake Enable Register (Intel® High Definition Audio Controller—D27:F0) .....	735
19.2.8	STATESTS—State Change Status Register (Intel® High Definition Audio Controller—D27:F0) .....	735
19.2.9	GSTS—Global Status Register (Intel® High Definition Audio Controller—D27:F0) .....	736
19.2.10	ECAP—Extended Capabilities (Intel® High Definition Audio Controller—D27:F0) .....	737
19.2.11	OUTSTRMPAY—Output Stream Payload Capability (Intel® High Definition Audio Controller—D27:F0) .....	737
19.2.12	INSTRMPAY—Input Stream Payload Capability (Intel® High Definition Audio Controller—D27:F0) .....	738
19.2.13	INTCTL—Interrupt Control Register (Intel® High Definition Audio Controller—D27:F0) .....	739



19.2.14	INTSTS—Interrupt Status Register (Intel® High Definition Audio Controller—D27:F0) .....	740
19.2.15	WALCLK—Wall Clock Counter Register (Intel® High Definition Audio Controller—D27:F0) .....	741
19.2.16	SSYNC—Stream Synchronization Register (Intel® High Definition Audio Controller—D27:F0) .....	741
19.2.17	CORBLBASE—CORB Lower Base Address Register (Intel® High Definition Audio Controller—D27:F0) .....	742
19.2.18	CORBUBASE—CORB Upper Base Address Register (Intel® High Definition Audio Controller—D27:F0) .....	742
19.2.19	CORBWP—CORB Write Pointer Register (Intel® High Definition Audio Controller—D27:F0) .....	742
19.2.20	CORBRP—CORB Read Pointer Register (Intel® High Definition Audio Controller—D27:F0) .....	743
19.2.21	CORBCTL—CORB Control Register (Intel® High Definition Audio Controller—D27:F0) .....	743
19.2.22	CORBST—CORB Status Register (Intel® High Definition Audio Controller—D27:F0) .....	744
19.2.23	CORBSIZE—CORB Size Register (Intel® High Definition Audio Controller—D27:F0) .....	744
19.2.24	RIRBLBASE—RIRB Lower Base Address Register (Intel® High Definition Audio Controller—D27:F0) .....	744
19.2.25	RIRBUBASE—RIRB Upper Base Address Register (Intel® High Definition Audio Controller—D27:F0) .....	745
19.2.26	RIRBWP—RIRB Write Pointer Register (Intel® High Definition Audio Controller—D27:F0) .....	745
19.2.27	RINTCNT—Response Interrupt Count Register (Intel® High Definition Audio Controller—D27:F0) .....	746
19.2.28	RIRBCTL—RIRB Control Register (Intel® High Definition Audio Controller—D27:F0) .....	746
19.2.29	RIRBSTS—RIRB Status Register (Intel® High Definition Audio Controller—D27:F0) .....	747
19.2.30	RIRBSIZE—RIRB Size Register (Intel® High Definition Audio Controller—D27:F0) .....	747
19.2.31	IC—Immediate Command Register (Intel® High Definition Audio Controller—D27:F0) .....	747
19.2.32	IR—Immediate Response Register (Intel® High Definition Audio Controller—D27:F0) .....	748
19.2.33	IRS—Immediate Command Status Register (Intel® High Definition Audio Controller—D27:F0) .....	748
19.2.34	DPLBASE—DMA Position Lower Base Address Register (Intel® High Definition Audio Controller—D27:F0) .....	749
19.2.35	DPUBASE—DMA Position Upper Base Address Register (Intel® High Definition Audio Controller—D27:F0) .....	749
19.2.36	SDCTL—Stream Descriptor Control Register (Intel® High Definition Audio Controller—D27:F0) .....	750
19.2.37	SDSTS—Stream Descriptor Status Register (Intel® High Definition Audio Controller—D27:F0) .....	752
19.2.38	SDLPIB—Stream Descriptor Link Position in Buffer Register (Intel® High Definition Audio Controller—D27:F0) .....	753
19.2.39	SDCBL—Stream Descriptor Cyclic Buffer Length Register (Intel® High Definition Audio Controller—D27:F0) .....	753
19.2.40	SDLVI—Stream Descriptor Last Valid Index Register (Intel® High Definition Audio Controller—D27:F0) .....	754
19.2.41	SDFIFOW—Stream Descriptor FIFO Watermark Register (Intel® High Definition Audio Controller—D27:F0) .....	754



19.2.42	SDFIFOS—Stream Descriptor FIFO Size Register (Intel® High Definition Audio Controller—D27:F0) .....	755
19.2.43	SDFMT—Stream Descriptor Format Register (Intel® High Definition Audio Controller—D27:F0) .....	756
19.2.44	SDBDPL—Stream Descriptor Buffer Descriptor List Pointer Lower Base Address Register (Intel® High Definition Audio Controller—D27:F0) .....	757
19.2.45	SDBDPU—Stream Descriptor Buffer Descriptor List PointerUpper Base Address Register (Intel® High Definition Audio Controller—D27:F0) .....	757
<b>20</b>	<b>High Precision Event Timer Registers</b> .....	<b>759</b>
20.1	Memory Mapped Registers .....	759
20.1.1	GCAP_ID—General Capabilities and Identification Register .....	760
20.1.2	GEN_CONF—General Configuration Register .....	761
20.1.3	GINTR_STA—General Interrupt Status Register .....	761
20.1.4	MAIN_CNT—Main Counter Value Register .....	762
20.1.5	TIMn_CONF—Timer n Configuration and Capabilities Register .....	762
20.1.6	TIMn_COMP—Timer n Comparator Value Register .....	764
<b>21</b>	<b>Serial Peripheral Interface (SPI) (Desktop and Mobile Only)</b> .....	<b>765</b>
21.1	Serial Peripheral Interface Memory Mapped Configuration Registers .....	765
21.1.1	SPIS—SPI Status Register (SPI Memory Mapped Configuration Registers) .....	767
21.1.2	SPIC—SPI Control Register (SPI Memory Mapped Configuration Registers) .....	768
21.1.3	SPIA—SPI Address Register (SPI Memory Mapped Configuration Registers) .....	769
21.1.4	SPID[N] —SPI Data N Register (SPI Memory Mapped Configuration Registers) .....	769
21.1.5	BBAR—BIOS Base Address Register (SPI Memory Mapped Configuration Registers) .....	770
21.1.6	PREOP—Prefix Opcode Configuration Register (SPI Memory Mapped Configuration Registers) .....	770
21.1.7	OPTYPE—Opcode Type Configuration Register (SPI Memory Mapped Configuration Registers) .....	771
21.1.8	OPMENU—Opcode Menu Configuration Register (SPI Memory Mapped Configuration Registers) .....	772
21.1.9	PBR[N]—Protected BIOS Range [N] (SPI Memory Mapped Configuration Registers) .....	772
<b>22</b>	<b>Ballout Definition</b> .....	<b>773</b>
22.1	Desktop, Mobile, and Digital Home Component Ballout .....	773
22.2	Ultra Mobile Component Ballout .....	782
<b>23</b>	<b>Electrical Characteristics</b> .....	<b>789</b>
23.1	Thermal Specifications .....	789
23.2	Absolute Maximum Ratings .....	789
23.3	DC Characteristics .....	790
23.4	AC Characteristics .....	801
23.5	Timing Diagrams .....	817
<b>24</b>	<b>Package Information</b> .....	<b>835</b>
24.1	Desktop and Mobile Package Information .....	835
24.2	Ultra Mobile Package Information .....	837
<b>25</b>	<b>Testability (Desktop and Mobile Only)</b> .....	<b>839</b>
25.1	XOR Chain Tables .....	841



## Figures

2-1 Interface Signals Block Diagram (Desktop Only).....	52
2-2 Interface Signals Block Diagram (Mobile Only).....	53
2-3 Interface Signals Block Diagram (Ultra Mobile Only).....	54
2-4 Example External RTC Circuit.....	78
4-1 Desktop Only Conceptual System Clock Diagram.....	96
4-2 Mobile Only Conceptual Clock Diagram.....	96
4-3 Ultra Mobile Only Conceptual Clock Diagram.....	97
5-1 Generation of SERR# to Platform.....	105
5-2 64-Word EEPROM Read Instruction Waveform.....	112
5-3 LPC Interface Diagram.....	118
5-4 LPC Bridge SERR# Generation.....	123
5-5 Intel® ICH7 DMA Controller.....	124
5-6 DMA Request Assertion through LDRQ#.....	127
5-7 Coprocessor Error Timing Diagram.....	151
5-8 Physical Region Descriptor Table Entry.....	186
5-9 SATA Power States.....	195
5-10USB Legacy Keyboard Flow Diagram.....	205
5-11 Intel® ICH7-USB Port Connections.....	212
5-12Intel® ICH7-Based Audio Codec '97 Specification, Version 2.3.....	233
5-13AC '97 2.3 Controller-Codect Connection.....	235
5-14AC-Link Protocol.....	236
5-15AC-Link Powerdown Timing.....	237
5-16SDIN Wake Signaling.....	238
22-1 Desktop and Mobile Component Ballout (Topview–Left Side).....	774
22-2Desktop and Mobile Component Ballout (Topview–Right Side).....	775
22-3Intel® ICH7-U Ballout (top view, left side).....	782
22-4Intel® ICH7-U Ballout (top view, right side).....	783
23-1Clock Timing.....	817
23-2Valid Delay from Rising Clock Edge.....	817
23-3Setup and Hold Times.....	817
23-4Float Delay.....	818
23-5Pulse Width.....	818
23-6Output Enable Delay.....	818
23-7IDE PIO Mode.....	819
23-8IDE Multiword DMA.....	819
23-9Ultra ATA Mode (Drive Initiating a Burst Read).....	820
23-10Ultra ATA Mode (Sustained Burst).....	820
23-11Ultra ATA Mode (Pausing a DMA Burst).....	821
23-12Ultra ATA Mode (Terminating a DMA Burst).....	821
23-13USB Rise and Fall Times.....	822
23-14USB Jitter.....	822
23-15USB EOP Width.....	822
23-16SMBus Transaction.....	823
23-17SMBus Timeout.....	823
23-18Power Sequencing and Reset Signal Timings (Desktop Only).....	824
23-19Power Sequencing and Reset Signal Timings (Mobile/Ultra Mobile Only).....	825
23-20G3 (Mechanical Off) to S0 Timings (Desktop Only).....	826
23-21G3 (Mechanical Off) to S0 Timings (Mobile/Ultra Mobile Only).....	827
23-22S0 to S1 to S0 Timing (Desktop Only).....	827
23-23S0 to S5 to S0 Timings, S3 <sub>COLD</sub> (Desktop Only).....	828
23-24S0 to S5 to S0 Timings, S3 <sub>HOT</sub> (Desktop Only).....	829
23-25S0 to S5 to S0 Timings, S3 <sub>COLD</sub> (Mobile/Ultra Mobile Only).....	830
23-26S0 to S5 to S0 Timings, S3 <sub>HOT</sub> (Mobile/Ultra Mobile Only).....	831



23-27C0 to C2 to C0 Timings (Mobile/Ultra Mobile Only)	831
23-28C0 to C3 to C0 Timings (Mobile/Ultra Mobile Only)	832
23-29C0 to C4 to C0 Timings (Mobile/Ultra Mobile Only)	832
23-30AC '97 Data Input and Output Timings (Desktop and Mobile Only)	833
23-31Intel® High Definition Audio Input and Output Timings	833
23-32SPI Timings (Desktop and Mobile Only)	834
24-1Intel® ICH7 Package (Top View)	835
24-2Intel® ICH7 Package (Bottom View)	836
24-3Intel® ICH7 Package (Side View)	836
24-4Intel ICH7-U Package Drawing	837
25-1XOR Chain Test Mode Selection, Entry and Testing	839
25-2Example XOR Chain Circuitry	840

## Tables

1-1 Industry Specifications	39
1-2 PCI Devices and Functions	43
1-3 Intel® ICH7 Desktop/Server Family	50
1-4 Intel® ICH7-M Mobile and ICH7-U Ultra Mobile Components	50
2-1 Direct Media Interface Signals	55
2-2 PCI Express* Signals	55
2-3 Platform LAN Connect Interface Signals	56
2-4 EEPROM Interface Signals	56
2-5 Firmware Hub Interface Signals	56
2-6 PCI Interface Signals	57
2-7 Serial ATA Interface Signals	59
2-8 IDE Interface Signals	60
2-9 LPC Interface Signals	62
2-10Interrupt Signals	62
2-11USB Interface Signals	63
2-12Power Management Interface Signals	64
2-13Processor Interface Signals	66
2-14SM Bus Interface Signals	68
2-15System Management Interface Signals	68
2-16Real Time Clock Interface	69
2-17Other Clocks	69
2-18Miscellaneous Signals	70
2-19AC '97/Intel® High Definition Audio Link Signals	71
2-20Serial Peripheral Interface (SPI) Signals	72
2-21General Purpose I/O Signals	72
2-22Power and Ground Signals	74
2-23Functional Strap Definitions	76
3-1 Integrated Pull-Up and Pull-Down Resistors	79
3-2 IDE Series Termination Resistors	80
3-3 Power Plane and States for Output and I/O Signals for Desktop Only Configurations	81
3-4 Power Plane and States for Output and I/O Signals for Mobile/Ultra Mobile Only Configurations	86
3-5 Power Plane for Input Signals for Desktop Only Configurations	90
3-6 Power Plane for Input Signals for Mobile/Ultra Mobile Only Configurations	92
4-1 Intel® ICH7 and System Clock Domains	95
5-1 PCI Bridge Initiator Cycle Types	99
5-2 Type 1 Address Format	102
5-3 MSI vs. PCI IRQ Actions	104
5-4 Advanced TCO Functionality	114
5-5 LPC Cycle Types Supported	119



5-6 Start Field Bit Definitions .....	119
5-7 Cycle Type Bit Definitions .....	120
5-8 Transfer Size Bit Definition .....	120
5-9 SYNC Bit Definition .....	121
5-10DMA Transfer Size .....	126
5-11Address Shifting in 16-Bit I/O DMA Transfers .....	126
5-12Counter Operating Modes .....	131
5-13Interrupt Controller Core Connections .....	133
5-14Interrupt Status Registers .....	134
5-15Content of Interrupt Vector Byte .....	134
5-16APIC Interrupt Mapping .....	140
5-17Interrupt Message Address Format .....	142
5-18Interrupt Message Data Format .....	143
5-19Stop Frame Explanation .....	144
5-20Data Frame Format .....	145
5-21Configuration Bits Reset by RTCRST# Assertion .....	148
5-22INIT# Going Active .....	150
5-23NMI Sources .....	151
5-24DP Signal Differences .....	152
5-25General Power States for Systems Using Intel® ICH7 .....	153
5-26State Transition Rules for Intel® ICH7 .....	155
5-27System Power Plane .....	156
5-28Causes of SMI# and SCI .....	157
5-29Break Events (Mobile/Ultra Mobile Only) .....	160
5-30Sleep Types .....	163
5-31Causes of Wake Events .....	164
5-32GPI Wake Events .....	165
5-33Transitions Due to Power Failure .....	166
5-34Transitions Due to Power Button .....	167
5-35Transitions Due to RI# Signal .....	168
5-36Write Only Registers with Read Paths in ALT Access Mode .....	171
5-37PIC Reserved Bits Return Values .....	173
5-38Register Write Accesses in ALT Access Mode .....	173
5-39Intel® ICH7 Clock Inputs .....	176
5-40Heartbeat Message Data .....	182
5-41 IDE Transaction Timings (PCI Clocks) .....	184
5-42Interrupt/Active Bit Interaction Definition .....	188
5-43SATA Features Support in Intel® ICH7 .....	191
5-44SATA Feature Description .....	192
5-45Legacy Replacement Routing .....	198
5-46Bits Maintained in Low Power States .....	204
5-47USB Legacy Keyboard State Transitions .....	205
5-48UHCI vs. EHCI .....	207
5-49Debug Port Behavior .....	215
5-50I <sup>2</sup> C Block Read .....	223
5-51Enable for SMBALERT# .....	225
5-52Enables for SMBus Slave Write and SMBus Host Events .....	225
5-53Enables for the Host Notify Command .....	226
5-54Slave Write Registers .....	227
5-55Command Types .....	228
5-56Read Cycle Format .....	229
5-57Data Values for Slave Read Registers .....	229
5-58Host Notify Format .....	231
5-59Features Supported by Intel® ICH7 .....	232
5-60Output Tag Slot 0 .....	237



5-61SPI Implementation Options .....	245
5-62Required Commands and Opcodes .....	247
5-63Intel® ICH7 Standard SPI Commands .....	247
5-64Flash Protection Mechanism Summary .....	248
6-1 PCI Devices and Functions .....	254
6-2 Fixed I/O Ranges Decoded by Intel® ICH7 .....	256
6-3 Variable I/O Decode Ranges .....	258
6-4 Memory Decode Ranges from Processor Perspective .....	259
7-1 Chipset Configuration Register Memory Map (Memory Space) .....	263
8-1 LAN Controller PCI Register Address Map (LAN Controller—B1:D8:F0) .....	303
8-2 Configuration of Subsystem ID and Subsystem Vendor ID via EEPROM .....	310
8-3 Data Register Structure .....	314
8-4 Intel® ICH7 Integrated LAN Controller CSR Space Register Address Map .....	315
8-5 Self-Test Results Format .....	320
8-6 Statistical Counters .....	327
8-7 ASF Register Address Map .....	329
9-1 PCI Bridge Register Address Map (PCI-PCI—D30:F0) .....	345
10-1LPC Interface PCI Register Address Map (LPC I/F—D31:F0) .....	363
10-2DMA Registers .....	385
10-3PIC Registers (LPC I/F—D31:F0) .....	396
10-4APIC Direct Registers (LPC I/F—D31:F0) .....	404
10-5APIC Indirect Registers (LPC I/F—D31:F0) .....	404
10-6RTC I/O Registers (LPC I/F—D31:F0) .....	409
10-7RTC (Standard) RAM Bank (LPC I/F—D31:F0) .....	410
10-8Processor Interface PCI Register Address Map (LPC I/F—D31:F0) .....	415
10-9Power Management PCI Register Address Map (PM—D31:F0) .....	418
10-10APM Register Map .....	430
10-11ACPI and Legacy I/O Register Map .....	431
10-12TCO I/O Register Address Map .....	456
10-13Registers to Control GPIO Address Map .....	463
11-1UHCI Controller PCI Register Address Map (USB—D29:F0/F1/F2/F3) .....	469
11-2USB I/O Registers .....	479
11-3Run/Stop, Debug Bit Interaction SWDBG (Bit 5), Run/Stop (Bit 0) Operation .....	482
12-1SATA Controller PCI Register Address Map (SATA—D31:F2) .....	489
12-2Bus Master IDE I/O Register Address Map .....	519
12-3AHCI Register Address Map .....	523
12-4Generic Host Controller Register Address Map .....	524
12-5Port [3:0] DMA Register Address Map .....	529
13-1USB EHCI PCI Register Address Map (USB EHCI—D29:F7) .....	545
13-2Enhanced Host Controller Capability Registers .....	561
13-3Enhanced Host Controller Operational Register Address Map .....	564
13-4Debug Port Register Address Map .....	577
14-1SMBus Controller PCI Register Address Map (SMBUS—D31:F3) .....	583
14-2SMBus I/O Register Address Map .....	588
15-1IDE Controller PCI Register Address Map (IDE—D31:F1) .....	601
15-2Bus Master IDE I/O Registers .....	615
16-1AC '97 Audio PCI Register Address Map (Audio—D30:F2) .....	619
16-2Intel® ICH7 Audio Mixer Register Configuration .....	631
16-3Native Audio Bus Master Control Registers .....	633
17-1AC '97 Modem PCI Register Address Map (Modem—D30:F3) .....	647
17-2Intel® ICH7 Modem Mixer Register Configuration .....	655
17-3Modem Registers .....	656
18-1PCI Express* Configuration Registers Address Map (PCI Express—D28:F0/F1/F2/F3/F4/F5) .....	665





19-1 Intel® High Definition Audio PCI Register Address Map (Intel® High Definition Audio D27:F0).....	705
19-2 Intel® High Definition Audio PCI Register Address Map (Intel® High Definition Audio D27:F0).....	728
20-1 Memory-Mapped Registers .....	759
21-1 Serial Peripheral Interface (SPI) Register Address Map (SPI Memory Mapped Configuration Registers) .....	765
22-1 Desktop and Mobile Component Ballout by Signal Name .....	776
22-2 Intel® ICH7-U Ballout by Signal Name .....	784
23-1 Intel® ICH7 Absolute Maximum Ratings .....	789
23-2 DC Current Characteristics .....	790
23-3 DC Current Characteristics (Mobile/Ultra Mobile Only) .....	791
23-4 DC Characteristic Input Signal Association .....	792
23-5 DC Input Characteristics .....	794
23-6 DC Characteristic Output Signal Association .....	796
23-7 DC Output Characteristics .....	798
23-8 Other DC Characteristics .....	799
23-9 Clock Timings .....	801
23-10 PCI Interface Timing .....	803
23-11 IDE PIO Mode Timings .....	804
23-12 IDE Multiword DMA Timings .....	804
23-13 Ultra ATA Timing (Mode 0, Mode 1, Mode 2) .....	805
23-14 Ultra ATA Timing (Mode 3, Mode 4, Mode 5) .....	807
23-15 Universal Serial Bus Timing .....	809
23-16 SATA Interface Timings (Desktop and Mobile Only) .....	810
23-17 SMBus Timing .....	810
23-19 LPC Timing .....	811
23-20 Miscellaneous Timings .....	811
23-18 AC '97 / Intel® High Definition Audio Timing .....	811
23-21 SPI Timings (Desktop and Mobile Only) .....	812
23-22 (Power Sequencing and Reset Signal Timings) .....	812
23-23 Power Management Timings .....	814
25-1 XOR Test Pattern Example .....	840
25-2 XOR Chain 1 (REQ[4:1]# = 0000) .....	841
25-3 XOR Chain 2 (REQ[4:1]# = 0001) .....	842
25-4 XOR Chain 3 (REQ[4:1]# = 0010) .....	843
25-5 XOR Chain 4-1 (REQ[4:1]# = 0011) .....	844
25-6 XOR Chain 4-2 (REQ[4:1]# = 0011) .....	845
25-7 XOR Chain 5 (REQ[4:1]# = 0100) .....	846



## Revision History

---

Revision	Description	Date
-001	<ul style="list-style-type: none"><li>Initial release</li></ul>	April 2005
-002	<ul style="list-style-type: none"><li>Added specificaitons for ICH7DH, ICH7-M, and ICH7-M DH</li></ul>	January 2006
-003	<ul style="list-style-type: none"><li>Added specifications for the ICH7-U</li><li>Added Documentation Changes/Specification Changes from Spec Update Revision -020.</li></ul>	April 2007

§



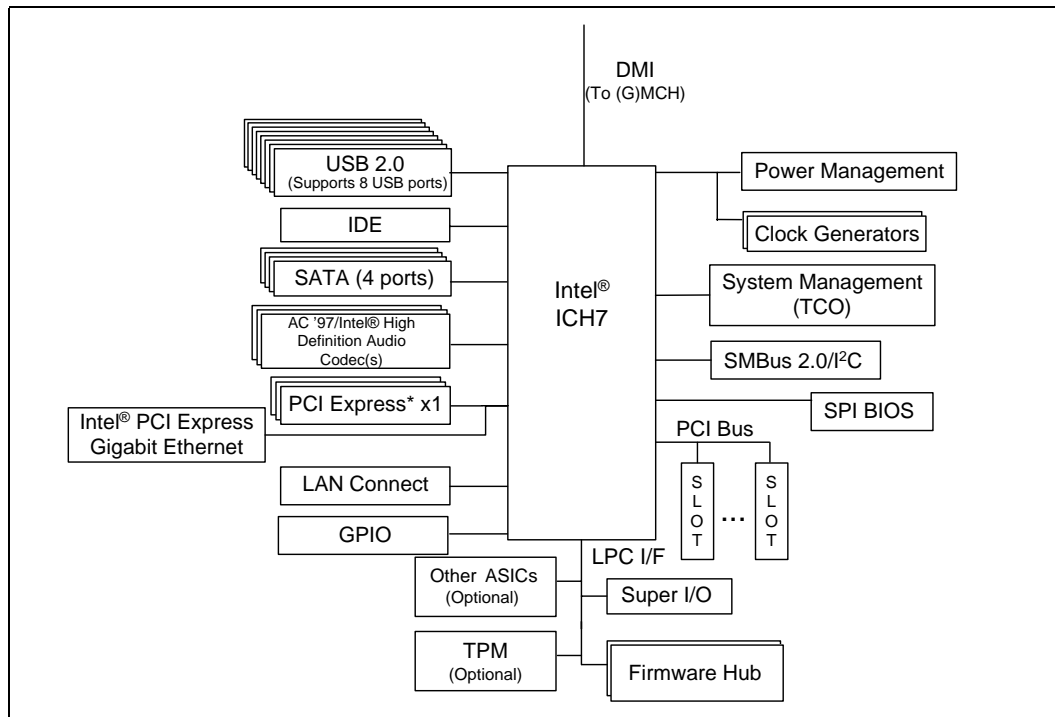
# Intel® ICH7 Family Features

- Direct Media Interface
  - 10 Gb/s each direction, full duplex
  - Transparent to software
- PCI Express\* (Desktop and Mobile Only)
  - 4 PCI Express root ports
  - NEW: 2 Additional PCI Express root ports (ICH7R/Digital Home only) configurable as x1 only
  - Supports PCI Express 1.0a
  - Ports 1-4 can be statically configured as 4x1, or 1x4.
  - Support for full 2.5 Gb/s bandwidth in each direction per x1 lane
  - Module based Hot-Plug supported (e.g., ExpressCard\*) (Desktop and Mobile Only)
- PCI Bus Interface
  - Supports PCI Rev 2.3 Specification at 33 MHz
  - New: Six available PCI REQ/GNT pairs (3 pairs on Ultra Mobile)
  - Support for 64-bit addressing on PCI using DAC protocol
- Integrated Serial ATA Host Controller (Desktop and Mobile Only)
  - Four ports (desktop only) or two ports (Mobile only)
  - NEW: Data transfer rates up to 3.0 Gb/s (300 MB/s) (Desktop Only)
  - Integrated AHCI controller (RAID, Digital Home and Mobile only)
- Intel® Matrix Storage Technology (RAID and Digital Home only)
  - Configures the ICH7 SATA controller as a RAID controller supporting RAID 0/1/10 (RAID and ICH7 DH only)
  - Configures the ICH7 SATA controller as a RAID controller supporting RAID 0/1 (ICH7-M DH)
  - NEW: Support for RAID 5 (RAID and ICH7 DH only)
- Integrated IDE Controller
  - Independent timing of up to two drives (one drive on Ultra Mobile)
  - Ultra ATA/100/66/33, BMIDE and PIO modes
  - Tri-state modes to enable swap bay
  - Supports ATA/ATAPI-7
- Intel® High Definition Audio Interface
  - PCI Express endpoint
  - Independent Bus Master logic for eight general purpose streams: four input and four output
  - Support three external CODECs
  - Supports variable length stream slots
  - Supports multichannel, 32-bit sample depth and 192 kHz sample rate output
  - Provides mic array support
  - Allows for non-48 kHz sampling output
  - Support for ACPI Device States
  - NEW: Docking Support (Mobile Only)
  - NEW: Low Voltage Mode (Mobile/Ultra Mobile Only)
- AC-Link for Audio and Telephony CODECs (Desktop and Mobile Only)
  - Support for three AC '97 2.3 codecs.
  - Independent bus master logic for 8 channels (PCM In/Out, PCM 2 In, Mic 1 Input, Mic 2 Input, Modem In/Out, S/PDIF Out)
  - Support for up to six channels of PCM audio output (full AC3 decode)
  - Supports wake-up events
- USB 2.0
  - Includes four UHCI Host Controllers, supporting eight external ports
  - Includes one EHCI Host Controller that supports all eight ports
  - Includes one USB 2.0 High-speed Debug Port
  - Supports wake-up from sleeping states S1–S5
  - Supports legacy Keyboard/Mouse software
- Integrated LAN Controller (Desktop and Mobile Only)
  - Integrated ASF Management Controller
  - Supports IEEE 802.3
  - LAN Connect Interface (LCI)
  - 10/100 Mb/s Ethernet Support
- NEW: Intel Active Management Technology (Desktop and Mobile Only)
- NEW: Intel® Quick Resume Technology Support (Digital Home Only)
- Power Management Logic
  - Supports ACPI 3.0
  - ACPI-defined power states (C1, S1, S3–S5 for Desktop and C1–C4, S1, S3–S5 for Mobile/Ultra Mobile)
  - ACPI Power Management Timer
  - (Mobile/Ultra Mobile Only) Support for “Intel SpeedStep® Technology” processor power control and “Deeper Sleep” power state
  - PCI CLKRUN# and PME# support
  - SMI# generation
  - All registers readable/restorable for proper resume from 0 V suspend states
  - Support for APM-based legacy power management for non-ACPI Desktop and Mobile implementations
- External Glue Integration
  - Integrated Pull-up, Pull-down and Series Termination resistors on IDE, processor interface
  - Integrated Pull-down and Series resistors on USB
- Enhanced DMA Controller
  - Two cascaded 8237 DMA controllers
  - Supports LPC DMA (Desktop and Mobile Only)

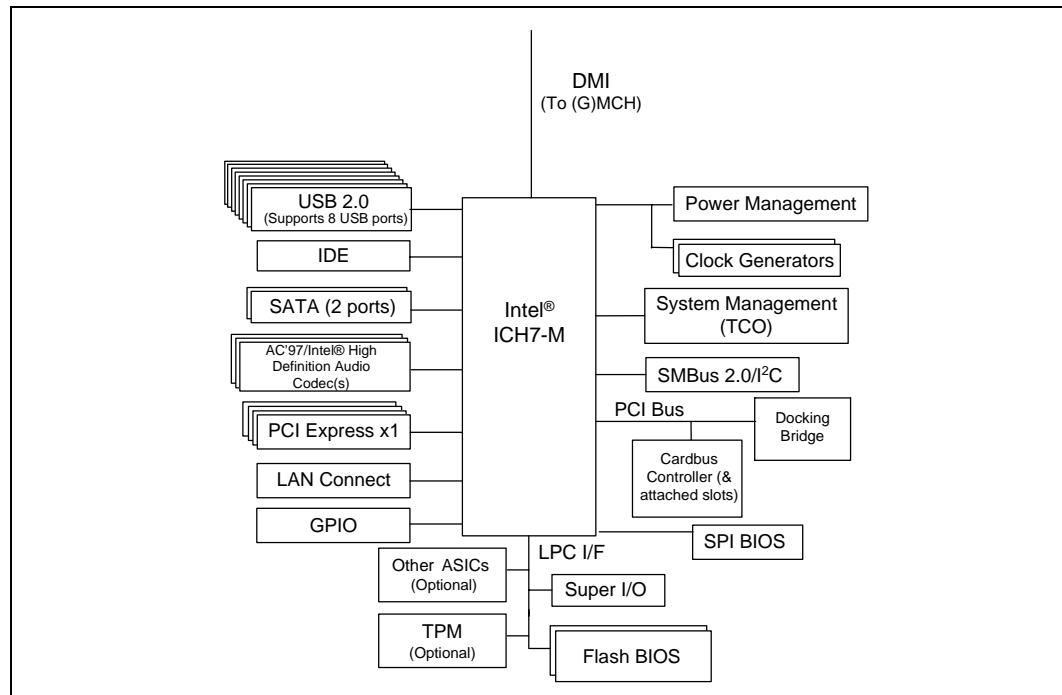


- SMBus
  - Flexible SMBus/SMLink architecture to optimize for ASF
  - Provides independent manageability bus through SMLink interface
  - Supports SMBus 2.0 Specification
  - Host interface allows processor to communicate via SMBus
  - Slave interface allows an internal or external Microcontroller to access system resources
  - Compatible with most two-wire components that are also I<sup>2</sup>C compatible
- High Precision Event Timers
  - Advanced operating system interrupt scheduling
- Timers Based on 82C54
  - System timer, Refresh request, Speaker tone output
- Real-Time Clock
  - 256-byte battery-backed CMOS RAM
  - Integrated oscillator components
  - Lower Power DC/DC Converter implementation
- System TCO Reduction Circuits
  - Timers to generate SMI# and Reset upon detection of system hang
  - Timers to detect improper processor reset
  - Integrated processor frequency strap logic
  - Supports ability to disable external devices
- Interrupt Controller
  - Supports up to eight PCI interrupt pins
  - Supports PCI 2.3 Message Signaled Interrupts
  - Two cascaded 82C59 with 15 interrupts
  - Integrated I/O APIC capability with 24 interrupts
  - Supports Processor System Bus interrupt delivery
- 1.05 V operation with 1.5 V and 3.3 V I/O
  - 5 V tolerant buffers on IDE, PCI, USB and Legacy signals
- NEW: 1.05 V Core Voltage
- Integrated 1.05 V Voltage Regulator (INTVR) for the Suspend and LAN wells (Desktop and Mobile Only)
- Firmware Hub I/F supports BIOS Memory size up to 8 MBytes (Desktop and Mobile Only)
- NEW: Serial Peripheral Interface (SPI) for Serial and Shared Flash (Desktop and Mobile Only)
- Low Pin Count (LPC) I/F
  - Supports two Master/DMA devices.
  - Support for Security Device (Trusted Platform Module) connected to LPC.
- GPIO
  - TTL, Open-Drain, Inversion
- NEW: Package 31 mm x 31 mm 652 mBGA (Desktop and Mobile Only)
- New: Package 15 mm x 15 mm, 452 balls (Ultra Mobile only)

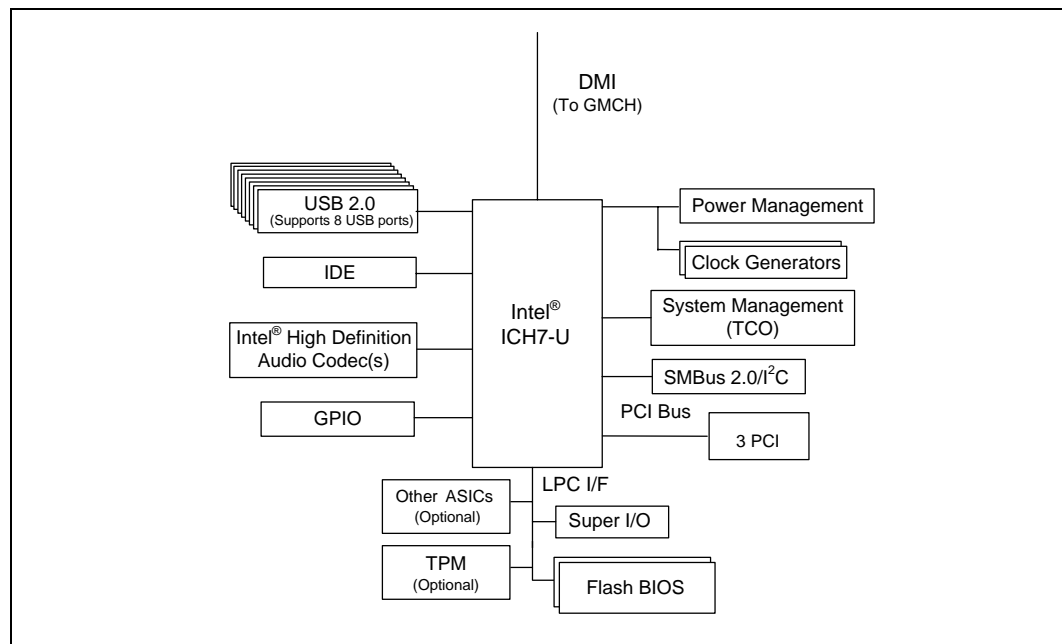
## Desktop Configuration



## Mobile Configuration



## Ultra Mobile Configuration



§





# 1 Introduction

This document is intended for Original Equipment Manufacturers and BIOS vendors creating Intel® I/O Controller Hub 7 (ICH7) Family based products. This document is the datasheet for the following:

- Intel® 82801GB ICH7 (ICH7)
- Intel® 82801GR ICH7 RAID (ICH7R)
- Intel® 82801GDH ICH7 Digital Home (ICH7DH)
- Intel® 82801GBM ICH7 Mobile (ICH7-M)
- Intel® 82801GHM ICH7 Mobile Digital Home (ICH7-M DH)
- Intel® 82801GU ICH7-U Ultra Mobile (ICH7-U)

Section 1.2 provides high-level feature differences for the ICH7 Family components.

**Note:** Throughout this datasheet, ICH7 is used as a general ICH7 term and refers to the 82801GB ICH7, 82801GR ICH7R, 82801GDH ICH7DH, 82801GBM ICH7-M, 82801GHM ICH7-M DH, and 82801GU ICH7-U components, unless specifically noted otherwise.

**Note:** Throughout this datasheet, the term “Desktop” refers to any implementation, be it in a desktop, server, workstation, etc., unless specifically noted otherwise.

**Note:** Throughout this datasheet, the terms “Desktop”, “Digital Home”, “Mobile”, and “Ultra Mobile” refer to the following components, unless specifically noted otherwise:

- **Desktop** refers to the 82801GB ICH7, 82801GR ICH7R, and 82801GDH ICH7DH.
- **Digital Home** refers to the 82801GDH ICH7DH and 82801GHM ICH7-M DH.
- **Mobile** refers to the 82801GBM ICH7-M, and 82801GHM ICH7-M DH.
- **Ultra Mobile** refers to the 82801GU ICH7-U.

**Note:** “Desktop and Mobile Only” refers to all components in this document except the 82801GU ICH7-U Ultra Mobile component.

This datasheet assumes a working knowledge of the vocabulary and principles of PCI Express\*, USB, IDE, AHCI, SATA, Intel® High Definition Audio (Intel® HD Audio), AC '97, SMBus, PCI, ACPI and LPC. Although some details of these features are described within this manual, refer to the individual industry specifications listed in Table 1-1 for the complete details.

**Table 1-1. Industry Specifications**

Specification	Location
Intel® I/O Controller Hub ICH7 Family Specification Update	<a href="http://developer.intel.com/design/chipsets/specupdt/307014.htm">http://developer.intel.com/design/chipsets/specupdt/307014.htm</a>
Intel® I/O Controller Hub ICH7 Family Thermal Mechanical Guidelines	<a href="http://developer.intel.com/design/chipsets/designex/307015.htm">http://developer.intel.com/design/chipsets/designex/307015.htm</a>
PCI Express* Base Specification, Revision 1.0a	<a href="http://www.pcisig.com/specifications">http://www.pcisig.com/specifications</a>
Low Pin Count Interface Specification, Revision 1.1 (LPC)	<a href="http://developer.intel.com/design/chipsets/industry/lpc.htm">http://developer.intel.com/design/chipsets/industry/lpc.htm</a>
Audio Codec '97 Component Specification, Version 2.3 (AC '97)	<a href="http://www.intel.com/design/chipsets/audio/">http://www.intel.com/design/chipsets/audio/</a>



Table 1-1. Industry Specifications

Specification	Location
<i>System Management Bus Specification, Version 2.0 (SMBus)</i>	<a href="http://www.smbus.org/specs/">http://www.smbus.org/specs/</a>
<i>PCI Local Bus Specification, Revision 2.3 (PCI)</i>	<a href="http://www.pcisig.com/specifications">http://www.pcisig.com/specifications</a>
<i>PCI Mobile Design Guide, Revision 1.1</i>	<a href="http://www.pcisig.com/specifications">http://www.pcisig.com/specifications</a>
<i>PCI Power Management Specification, Revision 1.1</i>	<a href="http://www.pcisig.com/specifications">http://www.pcisig.com/specifications</a>
<i>Universal Serial Bus Specification (USB), Revision 2.0</i>	<a href="http://www.usb.org/developers/docs">http://www.usb.org/developers/docs</a>
<i>Advanced Configuration and Power Interface, Version 2.0 (ACPI)</i>	<a href="http://www.acpi.info/spec.htm">http://www.acpi.info/spec.htm</a>
<i>Universal Host Controller Interface, Revision 1.1 (UHCI)</i>	<a href="http://developer.intel.com/design/USB/UHCI11D.htm">http://developer.intel.com/design/USB/UHCI11D.htm</a>
<i>Enhanced Host Controller Interface Specification for Universal Serial Bus, Revision 1.0 (EHCI)</i>	<a href="http://developer.intel.com/technology/usb/ehcispec.htm">http://developer.intel.com/technology/usb/ehcispec.htm</a>
<i>Serial ATA Specification, Revision 1.0a</i>	<a href="http://www.serialata.org/specifications.asp">http://www.serialata.org/specifications.asp</a>
<i>Serial ATA II: Extensions to Serial ATA 1.0, Revision 1.0</i>	<a href="http://www.serialata.org/specifications.asp">http://www.serialata.org/specifications.asp</a>
<i>Alert Standard Format Specification, Version 1.03</i>	<a href="http://www.dmtf.org/standards/asf">http://www.dmtf.org/standards/asf</a>
<i>IEEE 802.3 Fast Ethernet</i>	<a href="http://standards.ieee.org/getieee802/">http://standards.ieee.org/getieee802/</a>
<i>AT Attachment - 6 with Packet Interface (ATA/ATAPI - 6)</i>	<a href="http://T13.org">http://T13.org</a> (T13 1410D)
<i>IA-PC HPET (High Precision Event Timers) Specification, Revision 1.0</i>	<a href="http://www.intel.com/hardware/design/hpetspec.htm">http://www.intel.com/hardware/design/hpetspec.htm</a>

**Chapter 1. Introduction**

**Chapter 1** introduces the ICH7 and provides information on manual organization and gives a general overview of the ICH7.

**Chapter 2. Signal Description**

**Chapter 2** provides a block diagram of the ICH7 interface signals and a detailed description of each signal. Signals are arranged according to interface and details are provided as to the drive characteristics (Input/Output, Open Drain, etc.) of all signals.

**Chapter 3. Intel® ICH7 Pin States**

**Chapter 3** provides a complete list of signals, their associated power well, their logic level in each suspend state, and their logic level before and after reset.

**Chapter 4. Intel® ICH7 and System Clock Domains**

**Chapter 4** provides a list of each clock domain associated with the ICH7 in an ICH7 based system.

**Chapter 5. Functional Description**

**Chapter 5** provides a detailed description of the functions in the ICH7. All PCI buses, devices and functions in this manual are abbreviated using the following nomenclature; Bus:Device:Function. This manual abbreviates buses as B0 and B1, devices as D8, D27, D28, D29, D30 and D31 and functions as F0, F1, F2, F3, F4, F5, F6 and F7. For example Device 31 Function 0 is abbreviated as D31:F0, Bus 1 Device 8 Function 0 is abbreviated as B1:D8:F0. Generally, the bus number will not be used, and can be considered to be Bus 0. Note that the ICH7's external PCI bus is typically Bus 1, but may be assigned a different number depending upon system configuration.



**Chapter 6. Register and Memory Mappings**

[Chapter 6](#) provides an overview of the registers, fixed I/O ranges, variable I/O ranges and memory ranges decoded by the ICH7.

**Chapter 7. Chipset Configuration Registers**

[Chapter 7](#) provides a detailed description of all registers and base functionality that is related to chipset configuration and not a specific interface (such as LPC, PCI, or PCI Express). It contains the root complex register block, which describes the behavior of the upstream internal link.

**Chapter 8. LAN Controller Registers**

[Chapter 8](#) provides a detailed description of all registers that reside in the ICH7's integrated LAN controller. The integrated LAN controller resides on the ICH7's external PCI bus (typically Bus 1) at Device 8, Function 0 (B1:D8:F0).

**Chapter 9. PCI-to-PCI Bridge Registers**

[Chapter 9](#) provides a detailed description of all registers that reside in the PCI-to-PCI bridge. This bridge resides at Device 30, Function 0 (D30:F0).

**Chapter 10. LPC Bridge Registers**

[Chapter 10](#) provides a detailed description of all registers that reside in the LPC bridge. This bridge resides at Device 31, Function 0 (D31:F0). This function contains registers for many different units within the ICH7 including DMA, Timers, Interrupts, Processor Interface, GPIO, Power Management, System Management and RTC.

**Chapter 11. SATA Controller Registers**

[Chapter 12](#) provides a detailed description of all registers that reside in the SATA controller. This controller resides at Device 31, Function 2 (D31:F2).

**Chapter 12. UHCI Controller Registers**

[Chapter 11](#) provides a detailed description of all registers that reside in the four UHCI host controllers. These controllers reside at Device 29, Functions 0, 1, 2, and 3 (D29:F0/F1/F2/F3).

**Chapter 13. EHCI Controller Registers**

[Chapter 13](#) provides a detailed description of all registers that reside in the EHCI host controller. This controller resides at Device 29, Function 7 (D29:F7).

**Chapter 14. SMBus Controller Registers**

[Chapter 14](#) provides a detailed description of all registers that reside in the SMBus controller. This controller resides at Device 31, Function 3 (D31:F3).

**Chapter 15. IDE Controller Registers**

[Chapter 15](#) provides a detailed description of all registers that reside in the IDE controller. This controller resides at Device 31, Function 1 (D31:F1).

**Chapter 16. AC '97 Audio Controller Registers**

[Chapter 16](#) provides a detailed description of all registers that reside in the audio controller. This controller resides at Device 30, Function 2 (D30:F2). Note that this section of the datasheet does not include the native audio mixer registers. Accesses to the mixer registers are forwarded over the AC-link to the codec where the registers reside.

**Chapter 17. AC '97 Modem Controller Registers**

[Chapter 17](#) provides a detailed description of all registers that reside in the modem controller. This controller resides at Device 30, Function 3 (D30:F3). Note that this section of the datasheet does not include the modem mixer registers. Accesses to the mixer registers are forwarded over the AC-link to the codec where the registers reside.

**Chapter 18. Intel® High Definition Audio Controller Registers**

[Chapter 18](#) provides a detailed description of all registers that reside in the Intel® High Definition Audio controller. This controller resides at Device 27, Function 0 (D27:F0).

**Chapter 19. PCI Express\* Port Controller Registers**

[Chapter 19](#) provides a detailed description of all registers that reside in the PCI Express controller. This controller resides at Device 28, Functions 0 to 5 (D30:F0-F5).

**Chapter 20. High Precision Event Timers Registers**

Chapter 20 provides a detailed description of all registers that reside in the multimedia timer memory mapped register space.

**Chapter 21. Serial Peripheral Interface Registers**

Chapter 21 provides a detailed description of all registers that reside in the SPI memory mapped register space.

**Chapter 22. Ballout Definition**

Chapter 22 provides a table of each signal and its ball assignment in the 652-mBGA package.

**Chapter 23. Electrical Characteristics**

Chapter 23 provides all AC and DC characteristics including detailed timing diagrams.

**Chapter 24. Package Information**

Chapter 24 provides drawings of the physical dimensions and characteristics of the 652-mBGA package.

**Chapter 25. Testability**

Chapter 25 provides detail about the implementation of test modes provided in the ICH7.

## 1.1 Overview

The ICH7 provides extensive I/O support. Functions and capabilities include:

- *PCI Express\* Base Specification*, Revision 1.0a support (Desktop and Mobile Only)
- *PCI Local Bus Specification*, Revision 2.3 support for 33 MHz PCI operations (supports up to six Req/Gnt pairs; three pairs on Ultra Mobile).
- ACPI Power Management Logic Support
- Enhanced DMA controller, interrupt controller, and timer functions (Desktop and Mobile Only)
- Integrated Serial ATA host controller with independent DMA operation on four ports (Desktop only) or two ports (Mobile Only) and AHCI (ICH7R, ICH7DH, ICH7-M, and ICH7-M DH Only) support. (SATA not supported on Ultra Mobile)
- Integrated IDE controller supports Ultra ATA100/66/33
- USB host interface with support for eight USB ports; four UHCI host controllers; one EHCI high-speed USB 2.0 Host controller
- Integrated LAN controller (Desktop and Mobile Only)
- *System Management Bus (SMBus) Specification*, Version 2.0 with additional support for I<sup>2</sup>C devices (Desktop and Mobile Only)
- Supports *Audio Codec '97, Revision 2.3 Specification* (a.k.a., *AC '97 Component Specification*, Revision 2.3) which provides a link for Audio and Telephony codecs (up to 7 channels) (Desktop and Mobile Only)
- Supports Intel High Definition Audio
- Supports Intel<sup>®</sup> Matrix Storage Technology (ICH7R, ICH7DH, and Mobile Only)
- Supports Intel<sup>®</sup> Active Management Technology (Desktop and Mobile Only)
- Low Pin Count (LPC) interface
- Firmware Hub (FWH) interface support
- Serial Peripheral Interface (SPI) support (Desktop and Mobile Only)



The ICH7 incorporates a variety of PCI functions that are divided into six logical devices (B0:D27, B0:D28, B0:D29, B0:D30, B0:D31 and B1:D8) as listed in Table 1-2. D30 is the DMI-to-PCI bridge and the AC '97 Audio and Modem controller functions, D31 contains the PCI-to-LPC bridge, IDE controller, SATA controller, and SMBus controller, D29 contains the four USB UHCI controllers and one USB EHCI controller, and D27 contains the PCI Express root ports. B1:D8 is the integrated LAN controller.

**Table 1-2. PCI Devices and Functions**

Bus:Device:Function	Function Description
Bus 0: Device 30: Function 0	PCI-to-PCI Bridge
Bus 0: Device 30: Function 2	AC '97 Audio Controller (Desktop and Mobile Only)
Bus 0: Device 30: Function 3	AC '97 Modem Controller (Desktop and Mobile Only)
Bus 0: Device 31: Function 0	LPC Controller <sup>1</sup>
Bus 0: Device 31: Function 1	IDE Controller
Bus 0: Device 31: Function 2	SATA Controller (Desktop and Mobile Only)
Bus 0: Device 31: Function 3	SMBus Controller
Bus 0: Device 29: Function 0	USB UHCI Controller #1
Bus 0: Device 29: Function 1	USB UHCI Controller #2
Bus 0: Device 29: Function 2	USB UHCI Controller #3
Bus 0: Device 29: Function 3	USB UHCI Controller #4
Bus 0: Device 29: Function 7	USB 2.0 EHCI Controller
Bus 0: Device 28: Function 0	PCI Express* Port 1 (Desktop and Mobile Only)
Bus 0: Device 28: Function 1	PCI Express Port 2 (Desktop and Mobile Only)
Bus 0: Device 28: Function 2	PCI Express Port 3 (Desktop and Mobile Only)
Bus 0: Device 28: Function 3	PCI Express Port 4 (Desktop and Mobile Only)
Bus 0: Device 28: Function 4	PCI Express Port 5 (Intel <sup>®</sup> ICH7R, ICH7DH, and ICH7-M DH Only)
Bus 0: Device 28: Function 5	PCI Express Port 6 (Intel ICH7R, ICH7DH, and ICH7-M DH Only)
Bus 0: Device 27: Function 0	Intel <sup>®</sup> High Definition Audio Controller
Bus n: Device 8: Function 0	LAN Controller (Desktop and Mobile Only)

**NOTES:**

1. The PCI-to-LPC bridge contains registers that control LPC, Power Management, System Management, GPIO, Processor Interface, RTC, Interrupts, Timers, and DMA.

The following sub-sections provide an overview of the ICH7 capabilities.

### Direct Media Interface (DMI)

Direct Media Interface (DMI) is the chip-to-chip connection between the Memory Controller Hub / Graphics Memory Controller Hub ((G)MCH) and I/O Controller Hub 7 (ICH7). This high-speed interface integrates advanced priority-based servicing allowing for concurrent traffic and true isochronous transfer capabilities. Base functionality is completely software-transparent, permitting current and legacy software to operate normally.



### **PCI Express\* Interface (Desktop and Mobile Only)**

The ICH7R, ICH7DH, ICH7-M DH have six PCI Express root ports and the ICH7 and ICH7-M have four PCI Express root ports (ports 1-4), supporting the *PCI Express Base Specification*, Revision 1.0a. PCI Express root ports 1–4 can be statically configured as four x1 ports or ganged together to form one x4 port. Ports 5 and 6 on the ICH7R, ICH7DH, and ICH7-M DH can only be used as two x1 ports. Each Root Port supports 2.5 Gb/s bandwidth in each direction (5 Gb/s concurrent).

### **Serial ATA (SATA) Controller (Desktop and Mobile Only)**

The ICH7 has an integrated SATA host controller that supports independent DMA operation on four ports (desktop only) or two ports (mobile only) and supports data transfer rates of up to 3.0 Gb/s (300 MB/s). The SATA controller contains two modes of operation – a legacy mode using I/O space, and an AHCI mode using memory space.

SATA and PATA can also be used in a combined function mode (where the SATA function is used with PATA). In this combined function mode, AHCI mode is not used. Software that uses legacy mode will not have AHCI capabilities.

The ICH7 supports the *Serial ATA Specification*, Revision 1.0a. The ICH7 also supports several optional sections of the *Serial ATA II: Extensions to Serial ATA 1.0 Specification*, Revision 1.0 (AHCI support is required for some elements).

### **AHCI (Intel® ICH7R, ICH7DH, and Mobile Only)**

The ICH7 provides hardware support for Advanced Host Controller Interface (AHCI), a new programming interface for SATA host controllers. Platforms supporting AHCI may take advantage of performance features such as no master/slave designation for SATA devices—each device is treated as a master—and hardware-assisted native command queuing. AHCI also provides usability enhancements such as Hot-Plug (Desktop and Mobile Only). AHCI requires appropriate software support (e.g., an AHCI driver) and for some features, hardware support in the SATA device or additional platform hardware.

### **Intel® Matrix Storage Technology (Intel® ICH7R, ICH7DH, and ICH7-M DH Only)**

The ICH7 provides support for Intel Matrix Storage Technology, providing both AHCI (see above for details on AHCI) and integrated RAID functionality. The industry-leading RAID capability provides high-performance RAID 0, 1, 5, and 10 functionality (RAID 0/1 functionality for ICH7-M DH) on up to 4 SATA ports of ICH7. Matrix RAID support is provided to allow multiple RAID levels to be combined on a single set of hard drives, such as RAID 0 and RAID 1 on two disks. Other RAID features include hot spare support, SMART alerting, and RAID 0 auto replace. Software components include an Option ROM for pre-boot configuration and boot functionality, a Microsoft\* Windows\* compatible driver, and a user interface for configuration and management of the RAID capability of ICH7.

### **PCI Interface**

The ICH7 PCI interface provides a 33 MHz, Revision 2.3 implementation. The ICH7 integrates a PCI arbiter that supports up to six external PCI bus masters (three on Ultra Mobile) in addition to the internal ICH7 requests. This allows for combinations of up to six PCI down devices (three on Ultra Mobile) and PCI slots.



### **IDE Interface (Bus Master Capability and Synchronous DMA Mode)**

The fast IDE interface supports up to two IDE devices (one device on Ultra Mobile) providing an interface for IDE hard disks and ATAPI devices. Each IDE device can have independent timings. The IDE interface supports PIO IDE transfers up to 16 MB/sec and Ultra ATA transfers up to 100 MB/sec. It does not consume any legacy DMA resources. The IDE interface integrates 16x32-bit buffers for optimal transfers.

The ICH7's IDE system contains a single, independent IDE signal channel that can be electrically isolated. There are integrated series resistors on the data and control lines (see [Section 5.16](#) for details).

### **Low Pin Count (LPC) Interface**

The ICH7 implements an LPC Interface as described in the *LPC 1.1 Specification*. The Low Pin Count (LPC) bridge function of the ICH7 resides in PCI Device 31:Function 0. In addition to the LPC bridge interface function, D31:F0 contains other functional units including DMA, interrupt controllers, timers, power management, system management, GPIO, and RTC.

### **Serial Peripheral Interface (SPI) (Desktop and Mobile Only)**

The ICH7 implements an SPI Interface as an alternative interface for the BIOS flash device. An SPI flash device can be used as a replacement for the FWH.

### **Compatibility Modules (DMA Controller, Timer/Counters, Interrupt Controller)**

The DMA controller incorporates the logic of two 82C37 DMA controllers, with seven independently programmable channels. Channels 0–3 are hardwired to 8-bit, count-by-byte transfers, and channels 5–7 are hardwired to 16-bit, count-by-word transfers. Any two of the seven DMA channels can be programmed to support fast Type-F transfers.

The ICH7 supports LPC DMA (Desktop and Mobile Only), which is similar to ISA DMA, through the ICH7's DMA controller. LPC DMA is handled through the use of the LDRQ# lines from peripherals and special encoding on LAD[3:0] from the host. Single, Demand, Verify, and Increment modes are supported on the LPC interface. Channels 0–3 are 8-bit channels. Channels 5–7 are 16-bit channels. Channel 4 is reserved as a generic bus master request.

The timer/counter block contains three counters that are equivalent in function to those found in one 82C54 programmable interval timer. These three counters are combined to provide the system timer function, and speaker tone. The 14.31818 MHz oscillator input provides the clock source for these three counters.

The ICH7 provides an ISA-Compatible Programmable Interrupt Controller (PIC) that incorporates the functionality of two, 82C59 interrupt controllers. The two interrupt controllers are cascaded so that 14 external and two internal interrupts are possible. In addition, the ICH7 supports a serial interrupt scheme.

All of the registers in these modules can be read and restored. This is required to save and restore system state after power has been removed and restored to the platform.

### **Advanced Programmable Interrupt Controller (APIC)**

In addition to the standard ISA compatible Programmable Interrupt controller (PIC) described in the previous section, the ICH7 incorporates the Advanced Programmable Interrupt Controller (APIC).



## Universal Serial Bus (USB) Controller

The ICH7 contains an Enhanced Host Controller Interface (EHCI) host controller that supports USB high-speed signaling. High-speed USB 2.0 allows data transfers up to 480 Mb/s which is 40 times faster than full-speed USB. The ICH7 also contains four Universal Host Controller Interface (UHCI) controllers that support USB full-speed and low-speed signaling.

The ICH7 supports eight USB 2.0 ports. All eight ports are high-speed, full-speed, and low-speed capable. ICH7's port-routing logic determines whether a USB port is controlled by one of the UHCI controllers or by the EHCI controller. See [Section 5.19](#) and [Section 5.20](#) for details.

## LAN Controller (Desktop and Mobile Only)

The ICH7's integrated LAN controller includes a 32-bit PCI controller that provides enhanced scatter-gather bus mastering capabilities and enables the LAN controller to perform high speed data transfers over the PCI bus. Its bus master capabilities enable the component to process high-level commands and perform multiple operations; this lowers processor utilization by off-loading communication tasks from the processor. Two large transmit and receive FIFOs of 3 KB each help prevent data underruns and overruns while waiting for bus accesses. This enables the integrated LAN controller to transmit data with minimum interframe spacing (IFS).

The LAN controller can operate in either full duplex or half duplex mode. In full duplex mode the LAN controller adheres with the *IEEE 802.3x Flow Control* Specification. Half duplex performance is enhanced by a proprietary collision reduction mechanism. See [Section 5.3](#) for details.

## Alert Standard Format (ASF) Management Controller (Desktop and Mobile Only)

ICH7 integrates an Alert Standard Format controller in addition to the integrated LAN controller, allowing interface system-monitoring devices to communicate through the integrated LAN controller to the network. This makes remote manageability and system hardware monitoring possible using ASF.

The ASF controller can collect and send various information from system components such as the processor, chipset, BIOS and sensors on the motherboard to a remote server running a management console. The controller can also be programmed to accept commands back from the management console and execute those commands on the local system.



## RTC

The ICH7 contains a Motorola\* MC146818A-compatible real-time clock with 256 bytes of battery-backed RAM. The real-time clock performs two key functions: keeping track of the time of day and storing system data, even when the system is powered down. The RTC operates on a 32.768 KHz crystal and a 3 V battery.

The RTC also supports two lockable memory ranges. By setting bits in the configuration space, two 8-byte ranges can be locked to read and write accesses. This prevents unauthorized reading of passwords or other system security information.

The RTC also supports a date alarm that allows for scheduling a wake up event up to 30 days in advance, rather than just 24 hours in advance.

## GPIO

Various general purpose inputs and outputs are provided for custom system design. The number of inputs and outputs varies depending on ICH7 configuration.

## Enhanced Power Management

The ICH7's power management functions include enhanced clock control and various low-power (suspend) states (e.g., Suspend-to-RAM and Suspend-to-Disk). A hardware-based thermal management circuit permits software-independent entrance to low-power states. The ICH7 contains full support for the *Advanced Configuration and Power Interface (ACPI) Specification, Revision 3.0*.

## Intel® Quick Resume Technology (Digital Home Only)

ICH7 implements Intel Quick Resume Technology that provides the capability to design a PC with a single power button that reliably and instantly (user's perception) turns the PC On and Off. When the system is On and the user presses the power button, the display instantly goes dark, sound is muted, and there is no response to keyboard/mouse commands (except for keyboard power button). When the system is Off and the user presses the power button, picture and sound quickly return, and the keyboard/mouse return to normal functionality, allowing user input.

## Intel® Active Management Technology (Intel® AMT) (Desktop and Mobile Only)

Intel Active Management Technology is the next generation of client manageability via the wired network. Intel AMT is a set of advanced manageability features developed as a direct result of IT customer feedback gained through Intel market research.



## Manageability

In addition to Intel AMT the ICH7 integrates several functions designed to manage the system and lower the total cost of ownership (TCO) of the system. These system management functions are designed to report errors, diagnose the system, and recover from system lockups without the aid of an external microcontroller.

- **TCO Timer.** The ICH7's integrated programmable TCO timer is used to detect system locks. The first expiration of the timer generates an SMI# that the system can use to recover from a software lock. The second expiration of the timer causes a system reset to recover from a hardware lock.
- **Processor Present Indicator.** The ICH7 looks for the processor to fetch the first instruction after reset. If the processor does not fetch the first instruction, the ICH7 will reboot the system.
- **ECC Error Reporting.** When detecting an ECC error, the host controller has the ability to send one of several messages to the ICH7. The host controller can instruct the ICH7 to generate either an SMI#, NMI, SERR#, or TCO interrupt.
- **Function Disable.** The ICH7 provides the ability to disable the following integrated functions: AC '97 Modem, AC '97 Audio, IDE, LAN, USB, LPC, Intel HD Audio, SATA, or SMBus. Once disabled, these functions no longer decode I/O, memory, or PCI configuration space. Also, no interrupts or power management events are generated from the disable functions.
- **Intruder Detect.** The ICH7 provides an input signal (INTRUDER#) that can be attached to a switch that is activated by the system case being opened. The ICH7 can be programmed to generate an SMI# or TCO interrupt due to an active INTRUDER# signal.

## System Management Bus (SMBus 2.0) (Desktop and Mobile Only)

The ICH7 contains an SMBus Host interface that allows the processor to communicate with SMBus slaves. This interface is compatible with most I<sup>2</sup>C devices. Special I<sup>2</sup>C commands are implemented.

The ICH7's SMBus host controller provides a mechanism for the processor to initiate communications with SMBus peripherals (slaves). Also, the ICH7 supports slave functionality, including the Host Notify protocol. Hence, the host controller supports eight command protocols of the SMBus interface (see *System Management Bus (SMBus) Specification, Version 2.0*): Quick Command, Send Byte, Receive Byte, Write Byte/Word, Read Byte/Word, Process Call, Block Read/Write, and Host Notify.

ICH7's SMBus also implements hardware-based Packet Error Checking for data robustness and the Address Resolution Protocol (ARP) to dynamically provide address to all SMBus devices.





## Intel® High Definition Audio Controller

The *Intel® High Definition Audio Specification* defines a digital interface that can be used to attach different types of codecs, such as audio and modem codecs. The ICH7 Intel HD Audio digital link shares pins with the AC-link. Concurrent operation of Intel HD Audio and AC '97 functionality is not supported. The ICH7 Intel HD Audio controller supports up to 3 codecs.

With the support of multi-channel audio stream, 32-bit sample depth, and sample rate up to 192 kHz, the Intel® HD Audio controller provides audio quality that can deliver CE levels of audio experience. On the input side, the ICH7 adds support for an arrays of microphones.

The Intel HD Audio controller uses multi-purpose DMA engines, as opposed to dedicated DMA engines in AC '97 (Desktop and Mobile Only), to effectively manage the link bandwidth and support simultaneous independent streams on the link. The capability enables new exciting usage models with Intel HD Audio (e.g., listening to music while playing multi-player game on the internet.) The Intel HD Audio controller also supports isochronous data transfers allowing glitch-free audio to the system.

**Note:** Users interested in providing feedback on the *Intel High Definition Audio Specification* or planning to implement the *Intel High Definition Audio Specification* into a future product will need to execute the *Intel High Definition Audio Specification Developer's Agreement*. For more information, contact [nextgenaudio@intel.com](mailto:nextgenaudio@intel.com).

### AC '97 2.3 Controller (Desktop and Mobile Only)

The ICH7 integrates an *Audio Codec '97 Component Specification, Version 2.3* controller that can be used to attach an audio codec (AC), a modem codec (MC), an audio/modem codec (AMC) or a combination of ACs and a single MC. The ICH7 supports up to six channels of PCM audio output (full AC3 decode). For a complete surround-sound experience, six-channel audio consists of: front left, front right, back left, back right, center, and subwoofer. ICH7 has expanded support for up to three audio codecs on the AC-link.

In addition, an AC '97 soft modem can be implemented with the use of a modem codec. Several system options exist when implementing AC '97. The ICH7-integrated AC '97 controller allows up to three external codecs to be connected to the ICH7. The system designer can provide AC '97 modem with a modem codec, or both audio and modem with up to two audio codecs with a modem codec.



## 1.2 Intel® ICH7 Family High-Level Component Differences

Table 1-3. Intel® ICH7 Desktop/Server Family<sup>1</sup>

Product Name	Base Features	Intel® Matrix Storage Technology RAID 0/1/5/10 / AHCI	6 PCI Express Ports	Intel® AMT Support	Intel® Quick Resume Technology
Intel® ICH7 Base (ICH7)	Yes	No/No	No <sup>2</sup>	Yes	No
ICH7 Digital Home (ICH7DH)	Yes	Yes / Yes	Yes <sup>2</sup>	Yes	Yes
ICH7 RAID (ICH7R)	Yes	Yes / Yes	Yes <sup>2</sup>	Yes	No

**NOTES:**

1. Feature capability can be read in D31:F0:Offset E4h.
2. The ICH7 Base (ICH7) supports Ports 1:4; ICH7 RAID (ICH7R) and ICH7 Digital Home (ICH7DH) supports Ports 1:6.

Table 1-4. Intel® ICH7-M Mobile and ICH7-U Ultra Mobile Components<sup>1</sup>

Product Name	Short Name	Base Features	AHCI	Intel® Matrix Storage Technology RAID 0/1	6 PCI Express* Ports	Intel® AMT Ready
ICH7 Mobile	ICH7-M	Yes	Yes	No	No	Yes
ICH7 Mobile Digital Home	ICH7-M DH	Yes	Yes	Yes	Yes	Yes
ICH7 Ultra Mobile	ICH7-U	Not all features	No	No	No	No

**NOTES:**

1. Feature capability can be read in D31:F0:Offset E4h.

§



## 2 Signal Description

---

This chapter provides a detailed description of each signal. The signals are arranged in functional groups according to their associated interface. [Figure 2-1](#) shows the interface signals for the Intel® 82801GB ICH7, 82801GR ICH7R, and 82801GDH ICH7DH. [Figure 2-2](#) shows the interface signals for the 82801GBM ICH7-M and 82801GHM ICH7-M DH. [Figure 2-3](#) shows the interface signals for the 82801GU ICH7-U.

The “#” symbol at the end of the signal name indicates that the active, or asserted state occurs when the signal is at a low voltage level. When “#” is not present, the signal is asserted when at the high voltage level.

The “Type” for each signal is indicative of the functional operating mode of the signal. Unless otherwise noted in [Section 3.3](#) or [Section 3.4](#), a signal is considered to be in the functional operating mode after RTCRST# for signals in the RTC well, RSMRST# for signals in the suspend well, after PWROK for signals in the core well, and after LAN\_RST# for signals in the LAN well.

The following notations are used to describe the signal type:

<b>I</b>	Input Pin
<b>O</b>	Output Pin
<b>OD O</b>	Open Drain Output Pin.
<b>I/OD</b>	Bi-directional Input/Open Drain Output Pin.
<b>I/O</b>	Bi-directional Input / Output Pin.
<b>OC</b>	Open Collector Output Pin.

Figure 2-1. Interface Signals Block Diagram (Desktop Only)

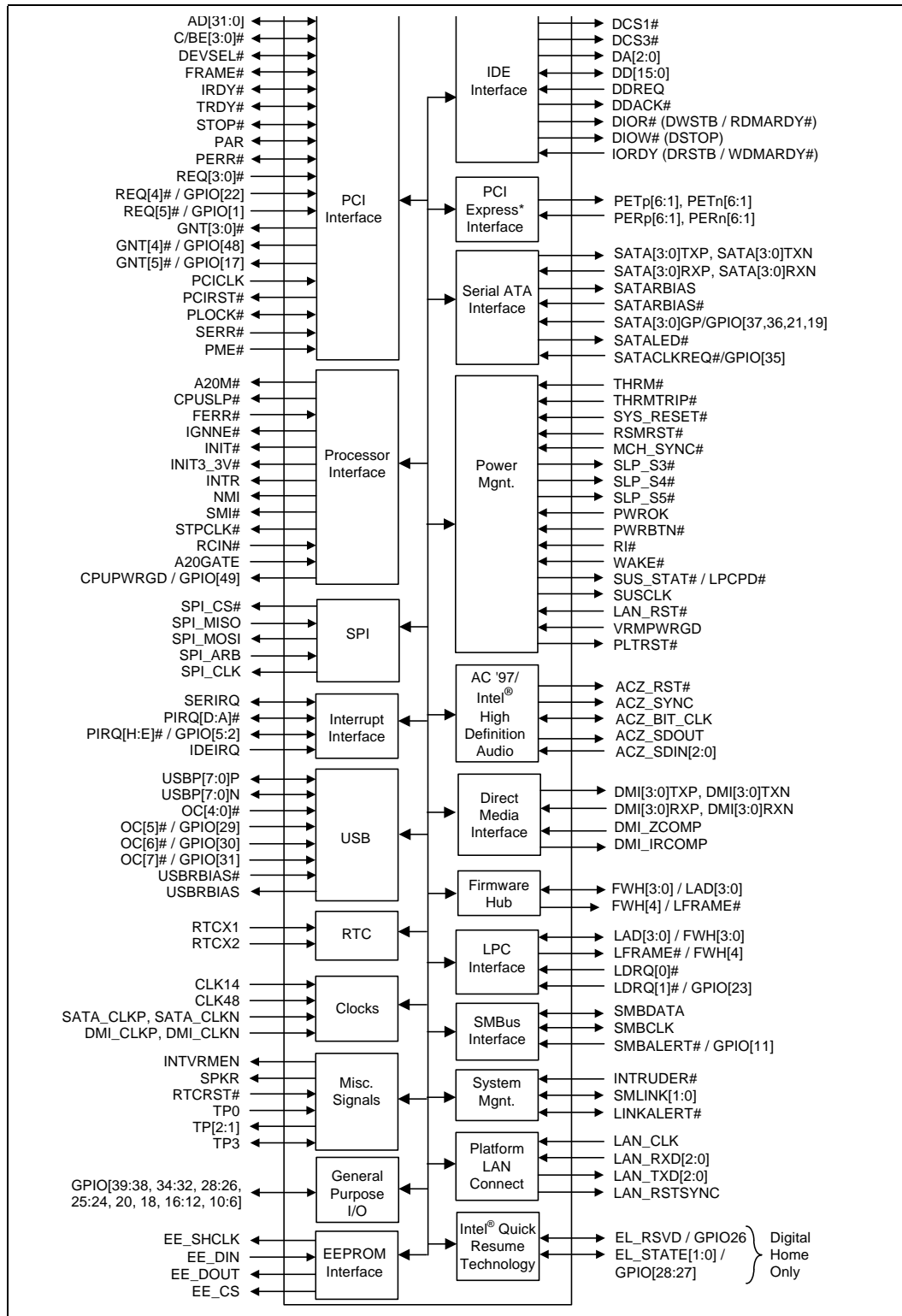
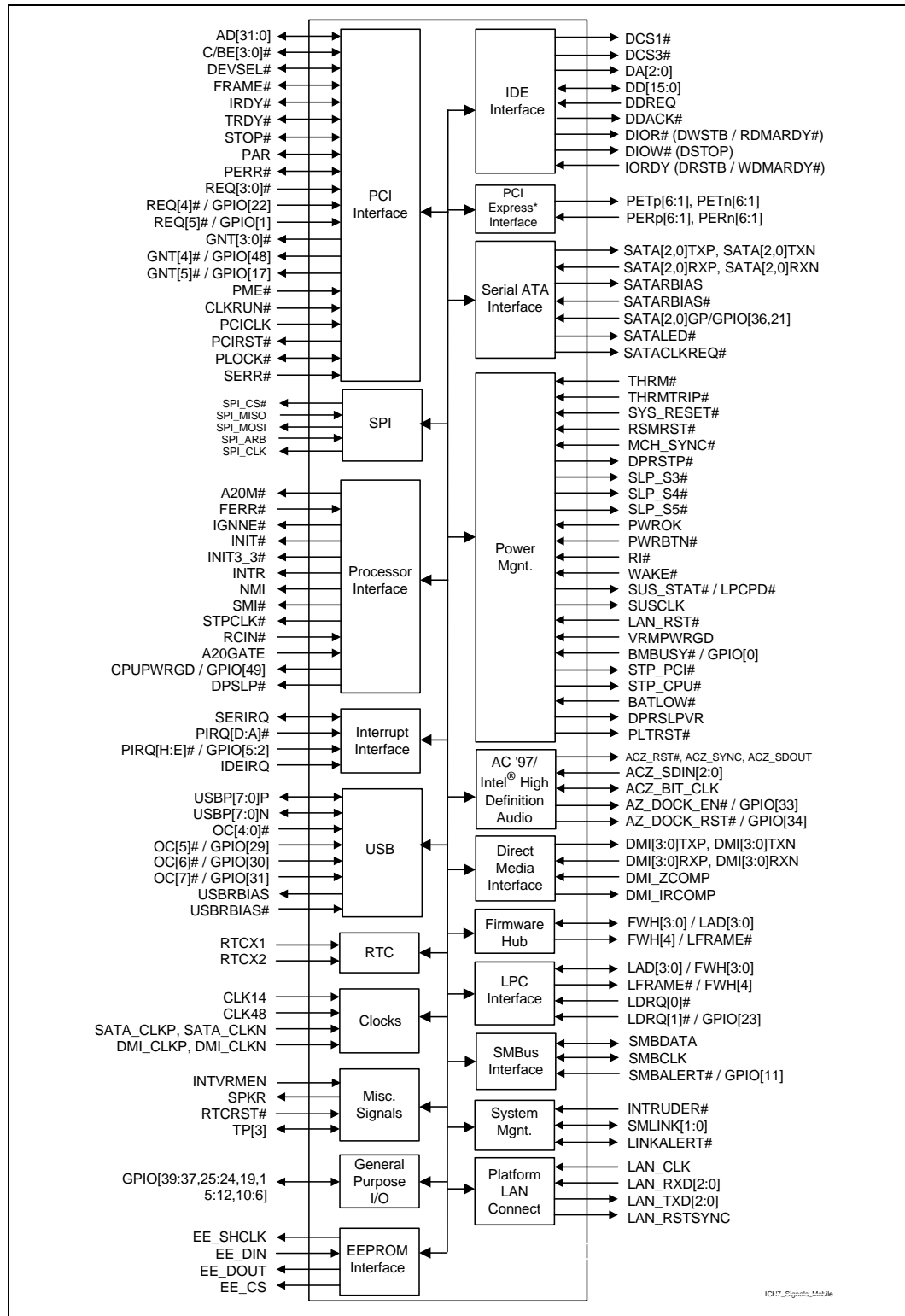


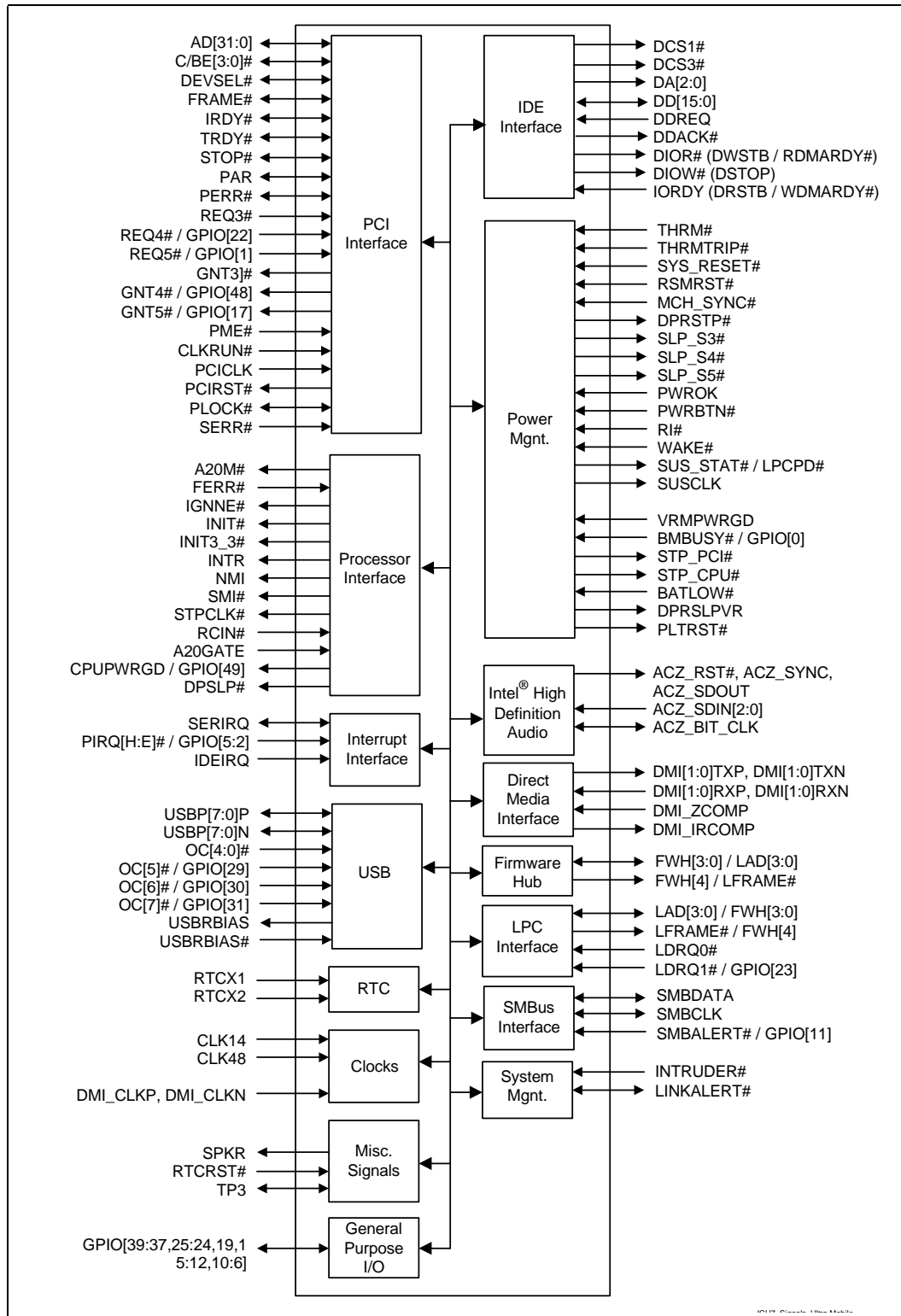


Figure 2-2. Interface Signals Block Diagram (Mobile Only)



IC17\_Signals\_Mobile

Figure 2-3. Interface Signals Block Diagram (Ultra Mobile Only)





## 2.1 Direct Media Interface (DMI) to Host Controller

Table 2-1. Direct Media Interface Signals

Name	Type	Description
DMI[0:1]TXP, DMI[0:1]TXN  DMI[2:3]TXP, DMI[2:3]TXN (Desktop and Mobile Only)	O	Direct Media Interface Differential Transmit Pair 0:3
DMI[0:1]RXP, DMI[0:1]RXN  DMI[2:3]RXP, DMI[2:3]RXN (Desktop and Mobile Only)	I	Direct Media Interface Differential Receive Pair 0:3
DMI_ZCOMP	I	<b>Impedance Compensation Input:</b> Determines DMI input impedance.
DMI_IRCOMP	O	<b>Impedance/Current Compensation Output:</b> Determines DMI output impedance and bias current.

## 2.2 PCI Express\* (Desktop and Mobile Only)

Table 2-2. PCI Express\* Signals

Name	Type	Description
PETp[1:4], PETn[1:4]	O	PCI Express* Differential Transmit Pair 1:4
PERp[1:4], PERn[1:4]	I	PCI Express Differential Receive Pair 1:4
PETp[5:6], PETn[5:6] (Intel® ICH7R/ ICH7DH/ICH7-MDH Only)	O	PCI Express* Differential Transmit Pair 5:6 Reserved: ICH7/ICH7-M
PERp[1:4], PERn[5:6] (ICH7R/ICH7DH/ ICH7-M DH Only)	I	PCI Express Differential Receive Pair 5:6 Reserved: ICH7/ICH7-M



## 2.3 Platform LAN Connect Interface (Desktop and Mobile Only)

Table 2-3. Platform LAN Connect Interface Signals

Name	Type	Description
LAN_CLK	I	<b>LAN I/F Clock:</b> This signal is driven by the Platform LAN Connect component. The frequency range is 5 MHz to 50 MHz.
LAN_RXD[2:0]	I	<b>Received Data:</b> The Platform LAN Connect component uses these signals to transfer data and control information to the integrated LAN controller. These signals have integrated weak pull-up resistors.
LAN_TXD[2:0]	O	<b>Transmit Data:</b> The integrated LAN controller uses these signals to transfer data and control information to the Platform LAN Connect component.
LAN_RSTSYNC	O	<b>LAN Reset/Sync:</b> The Platform LAN Connect component's Reset and Sync signals are multiplexed onto this pin.

## 2.4 EEPROM Interface (Desktop and Mobile Only)

Table 2-4. EEPROM Interface Signals

Name	Type	Description
EE_SHCLK	O	<b>EEPROM Shift Clock:</b> This signal is the serial shift clock output to the EEPROM.
EE_DIN	I	<b>EEPROM Data In:</b> This signal transfers data from the EEPROM to the Intel® ICH7. This signal has an integrated pull-up resistor.
EE_DOUT	O	<b>EEPROM Data Out:</b> This signal transfers data from the ICH7 to the EEPROM.
EE_CS	O	<b>EEPROM Chip Select:</b> This is the chip select signal to the EEPROM.

## 2.5 Firmware Hub Interface (Desktop and Mobile Only)

Table 2-5. Firmware Hub Interface Signals

Name	Type	Description
<b>FWH[3:0] / LAD[3:0]</b>	I/O	Firmware Hub Signals: These signals are multiplexed with the LPC address signals.
<b>FWH4 / LFRAME#</b>	O	Firmware Hub Signals: This signal is multiplexed with the LPC LFRAME# signal.





## 2.6 PCI Interface

Table 2-6. PCI Interface Signals (Sheet 1 of 3)

Name	Type	Description																						
AD[31:0]	I/O	<b>PCI Address/Data:</b> AD[31:0] is a multiplexed address and data bus. During the first clock of a transaction, AD[31:0] contain a physical address (32 bits). During subsequent clocks, AD[31:0] contain data. The Intel® ICH7 will drive all 0s on AD[31:0] during the address phase of all PCI Special Cycles.																						
C/BE[3:0]#	I/O	<p><b>Bus Command and Byte Enables:</b> The command and byte enable signals are multiplexed on the same PCI pins. During the address phase of a transaction, C/BE[3:0]# define the bus command. During the data phase, C/BE[3:0]# define the Byte Enables.</p> <p><b>C/BE[3:0]# Command Type</b></p> <table> <tbody> <tr><td>0000b</td><td>Interrupt Acknowledge</td></tr> <tr><td>0001b</td><td>Special Cycle</td></tr> <tr><td>0010b</td><td>I/O Read</td></tr> <tr><td>0011b</td><td>I/O Write</td></tr> <tr><td>0110b</td><td>Memory Read</td></tr> <tr><td>0111b</td><td>Memory Write</td></tr> <tr><td>1010b</td><td>Configuration Read</td></tr> <tr><td>1011b</td><td>Configuration Write</td></tr> <tr><td>1100b</td><td>Memory Read Multiple</td></tr> <tr><td>1110b</td><td>Memory Read Line</td></tr> <tr><td>1111b</td><td>Memory Write and Invalidate</td></tr> </tbody> </table> <p>All command encodings not shown are reserved. The ICH7 does not decode reserved values, and therefore will not respond if a PCI master generates a cycle using one of the reserved values.</p>	0000b	Interrupt Acknowledge	0001b	Special Cycle	0010b	I/O Read	0011b	I/O Write	0110b	Memory Read	0111b	Memory Write	1010b	Configuration Read	1011b	Configuration Write	1100b	Memory Read Multiple	1110b	Memory Read Line	1111b	Memory Write and Invalidate
0000b	Interrupt Acknowledge																							
0001b	Special Cycle																							
0010b	I/O Read																							
0011b	I/O Write																							
0110b	Memory Read																							
0111b	Memory Write																							
1010b	Configuration Read																							
1011b	Configuration Write																							
1100b	Memory Read Multiple																							
1110b	Memory Read Line																							
1111b	Memory Write and Invalidate																							
DEVSEL#	I/O	<b>Device Select:</b> The ICH7 asserts DEVSEL# to claim a PCI transaction. As an output, the ICH7 asserts DEVSEL# when a PCI master peripheral attempts an access to an internal ICH7 address or an address destined DMI (main memory or graphics). As an input, DEVSEL# indicates the response to an ICH7-initiated transaction on the PCI bus. DEVSEL# is tri-stated from the leading edge of PLTRST#. DEVSEL# remains tri-stated by the ICH7 until driven by a target device.																						
FRAME#	I/O	<b>Cycle Frame:</b> The current initiator drives FRAME# to indicate the beginning and duration of a PCI transaction. While the initiator asserts FRAME#, data transfers continue. When the initiator negates FRAME#, the transaction is in the final data phase. FRAME# is an input to the ICH7 when the ICH7 is the target, and FRAME# is an output from the ICH7 when the ICH7 is the initiator. FRAME# remains tri-stated by the ICH7 until driven by an initiator.																						
IRDY#	I/O	<b>Initiator Ready:</b> IRDY# indicates the ICH7's ability, as an initiator, to complete the current data phase of the transaction. It is used in conjunction with TRDY#. A data phase is completed on any clock both IRDY# and TRDY# are sampled asserted. During a write, IRDY# indicates the ICH7 has valid data present on AD[31:0]. During a read, it indicates the ICH7 is prepared to latch data. IRDY# is an input to the ICH7 when the ICH7 is the target and an output from the ICH7 when the ICH7 is an initiator. IRDY# remains tri-stated by the ICH7 until driven by an initiator.																						

Table 2-6. PCI Interface Signals (Sheet 2 of 3)

Name	Type	Description
TRDY#	I/O	<b>Target Ready:</b> TRDY# indicates the Intel® ICH7's ability as a target to complete the current data phase of the transaction. TRDY# is used in conjunction with IRDY#. A data phase is completed when both TRDY# and IRDY# are sampled asserted. During a read, TRDY# indicates that the ICH7, as a target, has placed valid data on AD[31:0]. During a write, TRDY# indicates the ICH7, as a target is prepared to latch data. TRDY# is an input to the ICH7 when the ICH7 is the initiator and an output from the ICH7 when the ICH7 is a target. TRDY# is tri-stated from the leading edge of PLTRST#. TRDY# remains tri-stated by the ICH7 until driven by a target.
STOP#	I/O	<b>Stop:</b> STOP# indicates that the ICH7, as a target, is requesting the initiator to stop the current transaction. STOP# causes the ICH7, as an initiator, to stop the current transaction. STOP# is an output when the ICH7 is a target and an input when the ICH7 is an initiator.
PAR	I/O	<b>Calculated/Checked Parity:</b> PAR uses "even" parity calculated on 36 bits, AD[31:0] plus C/BE[3:0]#. "Even" parity means that the ICH7 counts the number of 1s within the 36 bits plus PAR and the sum is always even. The ICH7 calculates PAR on 36 bits regardless of the valid byte enables. The ICH7 generates PAR for address and data phases and only ensures PAR to be valid one PCI clock after the corresponding address or data phase. The ICH7 drives and tri-states PAR identically to the AD[31:0] lines except that the ICH7 delays PAR by exactly one PCI clock. PAR is an output during the address phase (delayed one clock) for all ICH7 initiated transactions. PAR is an output during the data phase (delayed one clock) when the ICH7 is the initiator of a PCI write transaction, and when it is the target of a read transaction. ICH7 checks parity when it is the target of a PCI write transaction. If a parity error is detected, the ICH7 will set the appropriate internal status bits, and has the option to generate an NMI# or SMI#.
PERR#	I/O	<b>Parity Error:</b> An external PCI device drives PERR# when it receives data that has a parity error. The ICH7 drives PERR# when it detects a parity error. The ICH7 can either generate an NMI# or SMI# upon detecting a parity error (either detected internally or reported via the PERR# signal).
REQ[3:0]# REQ4# / GPIO22 REQ5# / GPIO1	I	<b>PCI Requests:</b> The ICH7 supports up to 6 masters on the PCI bus. The REQ4# and REQ5# pins can instead be used as a GPIO.  <b>NOTE:</b> REQ[2:0]# are not on Ultra Mobile.
GNT[3:0]# GNT4# / GPIO48 GNT5# / GPIO17#	O	<b>PCI Grants:</b> The ICH7 supports up to 6 masters on the PCI bus. The GNT4# and GNT5# pins can instead be used as a GPIO. Pull-up resistors are not required on these signals. If pull-ups are used, they should be tied to the Vcc3_3 power rail. GNT5#/GPIO17 has an internal pull-up.  <b>NOTE:</b> GNT[2:0]# are not on Ultra Mobile.
PCICLK	I	<b>PCI Clock:</b> This is a 33 MHz clock. PCICLK provides timing for all transactions on the PCI Bus.  <b>NOTE:</b> (Mobile/Ultra Mobile Only) This clock does not stop based on STP_PCI# signal. PCI Clock only stops based on SLP_S3#.
PCIRST#	O	<b>PCI Reset:</b> This is the Secondary PCI Bus reset signal. It is a logical OR of the primary interface PLTRST# signal and the state of the Secondary Bus Reset bit of the Bridge Control register (D30:F0:3Eh, bit 6).



Table 2-6. PCI Interface Signals (Sheet 3 of 3)

Name	Type	Description
PLOCK#	I/O	<b>PCI Lock:</b> This signal indicates an exclusive bus operation and may require multiple transactions to complete. The ICH7 asserts PLOCK# when it performs non-exclusive transactions on the PCI bus. PLOCK# is ignored when PCI masters are granted the bus in desktop configurations. Devices on the PCI bus (other than the ICH7) are not permitted to assert the PLOCK# signal in mobile/Ultra Mobile configurations.
SERR#	I/OD	<b>System Error:</b> SERR# can be pulsed active by any PCI device that detects a system error condition. Upon sampling SERR# active, the ICH7 has the ability to generate an NMI, SMI#, or interrupt.
PME#	I/OD	<b>PCI Power Management Event:</b> PCI peripherals drive PME# to wake the system from low-power states S1–S5. PME# assertion can also be enabled to generate an SCI from the S0 state. In some cases the ICH7 may drive PME# active due to an internal wake event. The ICH7 will not drive PME# high, but it will be pulled up to VccSus3_3 by an internal pull-up resistor.

## 2.7 Serial ATA Interface (Desktop and Mobile Only)

Table 2-7. Serial ATA Interface Signals (Sheet 1 of 2)

Name	Type	Description
SATA0TXP SATA0TXN	O	<b>Serial ATA 0 Differential Transmit Pair:</b> These are outbound high-speed differential signals to Port 0.
SATA0RXP SATA0RXN	I	<b>Serial ATA 0 Differential Receive Pair:</b> These are inbound high-speed differential signals from Port 0.
SATA1TXP SATA1TXN (Desktop Only)	O	<b>Serial ATA 1 Differential Transmit Pair:</b> These are outbound high-speed differential signals to Port 1. (Desktop Only)
SATA1RXP SATA1RXN (Desktop Only)	I	<b>Serial ATA 1 Differential Receive Pair:</b> These are inbound high-speed differential signals from Port 1. (Desktop Only)
SATA2TXP SATA2TXN	O	<b>Serial ATA 2 Differential Transmit Pair:</b> These are outbound high-speed differential signals to Port 2.
SATA2RXP SATA2RXN	I	<b>Serial ATA 2 Differential Receive Pair:</b> These are inbound high-speed differential signals from Port 2.
SATA3TXP SATA3TXN (Desktop Only)	O	<b>Serial ATA 3 Differential Transmit Pair:</b> These are outbound high-speed differential signals to Port 3. (Desktop Only)
SATA3RXP SATA3RXN (Desktop Only)	I	<b>Serial ATA 3 Differential Receive Pair:</b> These are inbound high-speed differential signals from Port 3. (Desktop Only)
SATARBIAS	O	<b>Serial ATA Resistor Bias:</b> These are analog connection points for an external resistor to ground.
SATARBIAS#	I	<b>Serial ATA Resistor Bias Complement:</b> These are analog connection points for an external resistor to ground.

Table 2-7. Serial ATA Interface Signals (Sheet 2 of 2)

Name	Type	Description
SATA0GP / GPIO21	I	<b>Serial ATA 0 General Purpose:</b> This is an input pin which can be configured as an interlock switch corresponding to SATA Port 0. When used as an interlock switch status indication, this signal should be drive to '0' to indicate that the switch is closed and to '1' to indicate that the switch is open. If interlock switches are not required, this pin can be configured as GPIO21.
SATA1GP (Desktop Only) / GPIO19	I	<b>Serial ATA 1 General Purpose:</b> Same function as SATA0GP, except for SATA Port 1. If interlock switches are not required, this pin can be configured as GPIO19.
SATA2GP / GPIO36	I	<b>Serial ATA 2 General Purpose:</b> Same function as SATA0GP, except for SATA Port 2. If interlock switches are not required, this pin can be configured as GPIO36.
SATA3GP (Desktop Only) / GPIO37	I	<b>Serial ATA 3 General Purpose:</b> Same function as SATA0GP, except for SATA Port 3. If interlock switches are not required, this pin can be configured as GPIO37.
SATALED#	OC	<b>Serial ATA LED:</b> This is an open-collector output pin driven during SATA command activity. It is to be connected to external circuitry that can provide the current to drive a platform LED. When active, the LED is on. When tri-stated, the LED is off. An external pull-up resistor to Vcc3_3 is required. <b>NOTE:</b> An internal pull-up is enabled only during PLTRST# assertion.
SATACLKREQ#/ GPIO35	OD (Native) / I/O (GP)	<b>Serial ATA Clock Request:</b> This is an open-drain output pin when configured as SATACLKREQ#. It is to connect to the system clock chip. When active, request for SATA Clock running is asserted. When tri-stated, it tells the Clock Chip that SATA Clock can be stopped. An external pull-up resistor is required.

## 2.8 IDE Interface

Table 2-8. IDE Interface Signals (Sheet 1 of 2)

Name	Type	Description
DCS1#	O	<b>IDE Device Chip Selects for 100 Range:</b> For ATA command register block. This output signal is connected to the corresponding signal on the IDE connector.
DCS3#	O	<b>IDE Device Chip Select for 300 Range:</b> For ATA control register block. This output signal is connected to the corresponding signal on the IDE connector.
DA[2:0]	O	<b>IDE Device Address:</b> These output signals are connected to the corresponding signals on the IDE connector. They are used to indicate which byte in either the ATA command block or control block is being addressed.
DD[15:0]	I/O	<b>IDE Device Data:</b> These signals directly drive the corresponding signals on the IDE connector. There is a weak internal pull-down resistor on DD7.



Table 2-8. IDE Interface Signals (Sheet 2 of 2)

Name	Type	Description
DDREQ	I	<b>IDE Device DMA Request:</b> This input signal is directly driven from the DRQ signal on the IDE connector. It is asserted by the IDE device to request a data transfer, and used in conjunction with the PCI bus master IDE function and are not associated with any AT compatible DMA channel. There is a weak internal pull-down resistor on this signal.
DDACK#	O	<b>IDE Device DMA Acknowledge:</b> This signal directly drives the DAK# signal on the IDE connector. DDACK# is asserted by the Intel® ICH7 to indicate to IDE DMA slave devices that a given data transfer cycle (assertion of DIOR# or DIOW#) is a DMA data transfer cycle. This signal is used in conjunction with the PCI bus master IDE function and are not associated with any AT-compatible DMA channel.
<b>DIOR# /</b> (DWSTB / RDMARDY#)	O	<b>Disk I/O Read (PIO and Non-Ultra DMA):</b> This is the command to the IDE device that it may drive data onto the DD lines. Data is latched by the ICH7 on the deassertion edge of DIOR#. The IDE device is selected either by the ATA register file chip selects (DCS1# or DCS3#) and the DA lines, or the IDE DMA acknowledge (DDAK#). <b>Disk Write Strobe (Ultra DMA Writes to Disk):</b> This is the data write strobe for writes to disk. When writing to disk, ICH7 drives valid data on rising and falling edges of DWSTB. <b>Disk DMA Ready (Ultra DMA Reads from Disk):</b> This is the DMA ready for reads from disk. When reading from disk, ICH7 deasserts RDMARDY# to pause burst data transfers.
<b>DIOW# /</b> (DSTOP)	O	<b>Disk I/O Write (PIO and Non-Ultra DMA):</b> This is the command to the IDE device that it may latch data from the DD lines. Data is latched by the IDE device on the deassertion edge of DIOW#. The IDE device is selected either by the ATA register file chip selects (DCS1# or DCS3#) and the DA lines, or the IDE DMA acknowledge (DDAK#). <b>Disk Stop (Ultra DMA):</b> ICH7 asserts this signal to terminate a burst.
<b>IORDY /</b> (DRSTB / WDMARDY#)	I	<b>I/O Channel Ready (PIO):</b> This signal will keep the strobe active (DIOR# on reads, DIOW# on writes) longer than the minimum width. It adds wait-states to PIO transfers. <b>Disk Read Strobe (Ultra DMA Reads from Disk):</b> When reading from disk, ICH7 latches data on rising and falling edges of this signal from the disk. <b>Disk DMA Ready (Ultra DMA Writes to Disk):</b> When writing to disk, this is de-asserted by the disk to pause burst data transfers.



## 2.9 LPC Interface

Table 2-9. LPC Interface Signals

Name	Type	Description
LAD[3:0] / FWH[3:0]	I/O	<b>LPC Multiplexed Command, Address, Data:</b> For LAD[3:0], internal pull-ups are provided.
LFRAME# / FWH4	O	<b>LPC Frame:</b> LFRAME# indicates the start of an LPC cycle, or an abort.
LDRQ0# LDRQ1# / GPIO23 (Desktop and Mobile only)	I	<b>LPC Serial DMA/Master Request Inputs:</b> LDRQ[1:0]# are used to request DMA or bus master access. These signals are typically connected to external Super I/O device. An internal pull-up resistor is provided on these signals. LDRQ1# may optionally be used as GPIO.

## 2.10 Interrupt Interface

Table 2-10. Interrupt Signals

Name	Type	Description
SERIRQ	I/O	<b>Serial Interrupt Request:</b> This pin implements the serial interrupt protocol.
PIRQ[D:A]# (Desktop and Mobile only)	I/OD	<b>PCI Interrupt Requests:</b> In non-APIC mode the PIRQx# signals can be routed to interrupts 3, 4, 5, 6, 7, 9, 10, 11, 12, 14 or 15 as described in the Interrupt Steering section. Each PIRQx# line has a separate Route Control register. In APIC mode, these signals are connected to the internal I/O APIC in the following fashion: PIRQA# is connected to IRQ16, PIRQB# to IRQ17, PIRQC# to IRQ18, and PIRQD# to IRQ19. This frees the legacy interrupts.
PIRQ[H:E]# / GPIO[5:2]	I/OD	<b>PCI Interrupt Requests:</b> In non-APIC mode the PIRQx# signals can be routed to interrupts 3, 4, 5, 6, 7, 9, 10, 11, 12, 14 or 15 as described in the <i>Interrupt Steering</i> section. Each PIRQx# line has a separate Route Control register. In APIC mode, these signals are connected to the internal I/O APIC in the following fashion: PIRQE# is connected to IRQ20, PIRQF# to IRQ21, PIRQG# to IRQ22, and PIRQH# to IRQ23. This frees the legacy interrupts. If not needed for interrupts, these signals can be used as GPIO.
IDEIRQ	I	<b>IDE Interrupt Request:</b> This interrupt input is connected to the IDE drive.



## 2.11 USB Interface

Table 2-11. USB Interface Signals

Name	Type	Description
USBP0P, USBP0N, USBP1P, USBP1N	I/O	<b>Universal Serial Bus Port [1:0] Differential:</b> These differential pairs are used to transmit Data/Address/Command signals for ports 0 and 1. These ports can be routed to UHCI controller #1 or the EHCI controller.  <b>NOTE:</b> No external resistors are required on these signals. The Intel® ICH7 integrates 15 kΩ pull-downs and provides an output driver impedance of 45 Ω which requires no external series resistor
USBP2P, USBP2N, USBP3P, USBP3N	I/O	<b>Universal Serial Bus Port [3:2] Differential:</b> These differential pairs are used to transmit data/address/command signals for ports 2 and 3. These ports can be routed to UHCI controller #2 or the EHCI controller.  <b>NOTE:</b> No external resistors are required on these signals. The ICH7 integrates 15 kΩ pull-downs and provides an output driver impedance of 45 Ω which requires no external series resistor
USBP4P, USBP4N, USBP5P, USBP5N	I/O	<b>Universal Serial Bus Port [5:4] Differential:</b> These differential pairs are used to transmit Data/Address/Command signals for ports 4 and 5. These ports can be routed to UHCI controller #3 or the EHCI controller.  <b>NOTE:</b> No external resistors are required on these signals. The ICH7 integrates 15 kΩ pull-downs and provides an output driver impedance of 45 Ω which requires no external series resistor
USBP6P, USBP6N, USBP7P, USBP7N	I/O	<b>Universal Serial Bus Port [7:6] Differential:</b> These differential pairs are used to transmit Data/Address/Command signals for ports 6 and 7. These ports can be routed to UHCI controller #4 or the EHCI controller.  <b>NOTE:</b> No external resistors are required on these signals. The ICH7 integrates 15 kΩ pull-downs and provides an output driver impedance of 45 Ω which requires no external series resistor
OC[4:0]# OC5# / GPIO29 OC6# / GPIO30 OC7# / GPIO31	I	<b>Overcurrent Indicators:</b> These signals set corresponding bits in the USB controllers to indicate that an overcurrent condition has occurred. OC[7:5]# may optionally be used as GPIOs.  <b>NOTE:</b> OC[7:0]# are not 5 V tolerant.
USBRBIAS	O	<b>USB Resistor Bias:</b> Analog connection point for an external resistor. Used to set transmit currents and internal load resistors.
USBRBIAS#	I	<b>USB Resistor Bias Complement:</b> Analog connection point for an external resistor. Used to set transmit currents and internal load resistors.



## 2.12 Power Management Interface

Table 2-12. Power Management Interface Signals (Sheet 1 of 3)

Name	Type	Description
PLTRST#	O	<p><b>Platform Reset:</b> The Intel® ICH7 asserts PLTRST# to reset devices on the platform (e.g., SIO, FWH, LAN, (G)MCH, IDE, TPM, etc.). The ICH7 asserts PLTRST# during power-up and when S/W initiates a hard reset sequence through the Reset Control register (I/O Register CF9h). The ICH7 drives PLTRST# inactive a minimum of 1 ms after both PWROK and VRMPWRGD are driven high. The ICH7 drives PLTRST# active a minimum of 1 ms when initiated through the Reset Control register (I/O Register CF9h).</p> <p><b>NOTE:</b> PLTRST# is in the VccSus3_3 well.</p>
THRM#	I	<p><b>Thermal Alarm:</b> THRM# is an active low signal generated by external hardware to generate an SMI# or SCI.</p>
THRMTRIP#	I	<p><b>Thermal Trip:</b> When low, this signal indicates that a thermal trip from the processor occurred, and the ICH7 will immediately transition to a S5 state. The ICH7 will not wait for the processor stop grant cycle since the processor has overheated.</p>
SLP_S3#	O	<p><b>S3 Sleep Control:</b> SLP_S3# is for power plane control. This signal shuts off power to all non-critical systems when in S3 (Suspend To RAM), S4 (Suspend to Disk), or S5 (Soft Off) states.</p>
SLP_S4#	O	<p><b>S4 Sleep Control:</b> SLP_S4# is for power plane control. This signal shuts power to all non-critical systems when in the S4 (Suspend to Disk) or S5 (Soft Off) state.</p> <p><b>NOTE:</b> This pin must be used to control the DRAM power to use the ICH7's DRAM power-cycling feature. Refer to <a href="#">Chapter 5.14.11.2</a> for details.</p>
SLP_S5#	O	<p><b>S5 Sleep Control:</b> SLP_S5# is for power plane control. This signal is used to shut power off to all non-critical systems when in the S5 (Soft Off) states.</p>
PWROK	I	<p><b>Power OK:</b> When asserted, PWROK is an indication to the ICH7 that core power has been stable for 99 ms and that PCICLK has been stable for 1 ms. An exception to this rule is if the system is in S3<sub>HOT</sub>, in which PWROK may or may not stay asserted even though PCICLK may be inactive. PWROK can be driven asynchronously. When PWROK is negated, the ICH7 asserts PLTRST#.</p> <p><b>NOTE:</b> PWROK must deassert for a minimum of three RTC clock periods for the ICH7 to fully reset the power and properly generate the PLTRST# output.</p>
PWRBTN#	I	<p><b>Power Button:</b> The Power Button will cause SMI# or SCI to indicate a system request to go to a sleep state. If the system is already in a sleep state, this signal will cause a wake event. If PWRBTN# is pressed for more than 4 seconds, this will cause an unconditional transition (power button override) to the S5 state. Override will occur even if the system is in the S1-S4 states. This signal has an internal pull-up resistor and has an internal 16 ms de-bounce on the input.</p>
RI# (Desktop and Mobile Only)	I	<p><b>Ring Indicate:</b> This signal is an input from a modem. It can be enabled as a wake event, and this is preserved across power failures.</p>





Table 2-12. Power Management Interface Signals (Sheet 2 of 3)

Name	Type	Description
SYS_RESET#	I	<b>System Reset:</b> This pin forces an internal reset after being debounced. The ICH7 will reset immediately if the SMBus is idle; otherwise, it will wait up to 25 ms $\pm$ 2 ms for the SMBus to idle before forcing a reset on the system.
RSMRST#	I	<b>Resume Well Reset:</b> This signal is used for resetting the resume power plane logic.
LAN_RST# (Desktop and Mobile Only)	I	LAN Reset: When asserted, the internal LAN controller will be put into reset. This signal must be asserted for at least 10 ms after the resume well power (VccSus3_3 in desktop and VccLAN3_3 and VccLAN1_05 in mobile) is valid. When deasserted, this signal is an indication that the resume (LAN for mobile) well power is stable.  <b>NOTE:</b> LAN_RST# should be tied to RSMRST#.
WAKE#	I	<b>PCI Express* Wake Event:</b> Sideband wake signal on PCI Express asserted by components requesting wake up.
MCH_SYNC#	I	<b>MCH SYNC:</b> This input is internally ANDed with the PWROK input. Connect to the ICH_SYNC# output of (G)MCH.
SUS_STAT# / LPCPD#	O	<b>Suspend Status:</b> This signal is asserted by the ICH7 to indicate that the system will be entering a low power state soon. This can be monitored by devices with memory that need to switch from normal refresh to suspend refresh mode. It can also be used by other peripherals as an indication that they should isolate their outputs that may be going to powered-off planes. This signal is called LPCPD# on the LPC interface.
SUSCLK	O	<b>Suspend Clock:</b> This clock is an output of the RTC generator circuit to use by other chips for refresh clock.
VRMPWRGD	I	<b>VRM Power Good:</b> This should be connected to be the processor's VRM Power Good signifying the VRM is stable. This signal is internally ANDed with the PWROK input.
<b>BM_BUSY#</b> (Mobile/Ultra Mobile Only) / GPIO0 (Desktop Only)	I	<b>Bus Master Busy:</b> This signal supports the C3 state. It provides an indication that a bus master device is busy. When this signal is asserted, the BM_STS bit will be set. If this signal goes active in a C3 state, it is treated as a break event.  <b>NOTE:</b> This signal is internally synchronized using the PCICLK and a two-stage synchronizer. It does not need to meet any particular setup or hold time. <b>NOTE:</b> In desktop configurations, this signal pin is a GPIO.
<b>CLKRUN#</b> (Mobile/Ultra Mobile Only)/ GPIO32 (Desktop Only)	I/O	<b>PCI Clock Run:</b> This clock supports the PCI CLKRUN protocol. It connects to peripherals that need to request clock restart or prevention of clock stopping.
<b>STP_PCI#</b> (Mobile/Ultra Mobile Only) / GPIO18 (Desktop Only)	O	Stop PCI Clock: This signal is an output to the external clock generator for it to turn off the PCI clock. It is used to support PCI CLKRUN# protocol. If this functionality is not needed, this signal can be configured as a GPIO.  <b>NOTE:</b> Referred to as STPPCI# on Ultra Mobile.

Table 2-12. Power Management Interface Signals (Sheet 3 of 3)

Name	Type	Description
<b>STP_CPU#</b> (Mobile/Ultra Mobile Only) / GPIO20 (Desktop Only)	O	<b>Stop CPU Clock:</b> This signal is an output to the external clock generator for it to turn off the processor clock. It is used to support the C3 state. If this functionality is not needed, this signal can be configured as a GPIO.  <b>NOTE:</b> Referred to as STPCPU# on Ultra Mobile.
<b>BATLOW#</b> (Mobile/Ultra Mobile Only) / TP0 (Desktop Only)	I	<b>Battery Low:</b> This signal is an input from battery to indicate that there is insufficient power to boot the system. Assertion will prevent wake from S3–S5 state. This signal can also be enabled to cause an SMI# when asserted.
<b>DPRSLPVR</b> (Mobile/Ultra Mobile Only) / GPIO16 (Desktop Only)	O	<b>Deeper Sleep - Voltage Regulator:</b> This signal is used to lower the voltage of VRM during the C4 state. When the signal is high, the voltage regulator outputs the lower “Deeper Sleep” voltage. When low (default), the voltage regulator outputs the higher “Normal” voltage.
<b>DPRSTP#</b> (Mobile/Ultra Mobile Only) / TP1 (Desktop Only)	O	<b>Deeper Stop:</b> This is a copy of the DPRSLPVR and it is active low.

## 2.13 Processor Interface

Table 2-13. Processor Interface Signals (Sheet 1 of 3)

Name	Type	Description
A20M#	O	<b>Mask A20:</b> A20M# will go active based on either setting the appropriate bit in the Port 92h register, or based on the A20GATE input being active.
CPUSLP#	O	<b>CPU Sleep:</b> This signal puts the processor into a state that saves substantial power compared to Stop-Grant state. However, during that time, no snoops occur. The Intel® ICH7 can optionally assert the CPUSLP# signal when going to the S1 state. (Desktop Only) Reserved. (Mobile/Ultra Mobile Only)
FERR#	I	<b>Numeric Coprocessor Error:</b> This signal is tied to the coprocessor error signal on the processor. FERR# is only used if the ICH7 coprocessor error reporting function is enabled in the OIC.CEN register (Chipset Config Registers: Offset 31FFh: bit 1). If FERR# is asserted, the ICH7 generates an internal IRQ13 to its interrupt controller unit. It is also used to gate the IGNNE# signal to ensure that IGNNE# is not asserted to the processor unless FERR# is active. FERR# requires an external weak pull-up to ensure a high level when the coprocessor error function is disabled.  <b>NOTE:</b> FERR# can be used in some states for notification by the processor of pending interrupt events. This functionality is independent of the OIC register bit setting.



Table 2-13. Processor Interface Signals (Sheet 2 of 3)

Name	Type	Description
IGNNE#	O	<b>Ignore Numeric Error:</b> This signal is connected to the ignore error pin on the processor. IGNNE# is only used if the ICH7 coprocessor error reporting function is enabled in the OIC.CEN register (Chipset Config Registers: Offset 31FFh: bit 1). If FERR# is active, indicating a coprocessor error, a write to the Coprocessor Error register (I/O register F0h) causes the IGNNE# to be asserted. IGNNE# remains asserted until FERR# is negated. If FERR# is not asserted when the Coprocessor Error register is written, the IGNNE# signal is not asserted.
INIT#	O	<b>Initialization:</b> INIT# is asserted by the ICH7 for 16 PCI clocks to reset the processor. ICH7 can be configured to support processor Built In Self Test (BIST).
INIT3_3V# (Desktop and Mobile Only)	O	<b>Initialization 3.3 V:</b> This is the identical 3.3 V copy of INIT# intended for Firmware Hub.
INTR	O	<b>CPU Interrupt:</b> INTR is asserted by the ICH7 to signal the processor that an interrupt request is pending and needs to be serviced. It is an asynchronous output and normally driven low.
NMI	O	<b>Non-Maskable Interrupt:</b> NMI is used to force a non-Maskable interrupt to the processor. The ICH7 can generate an NMI when either SERR# is asserted or IOCHK# goes active via the SERIRQ# stream. The processor detects an NMI when it detects a rising edge on NMI. NMI is reset by setting the corresponding NMI source enable/disable bit in the NMI Status and Control register (I/O Register 61h).
SMI#	O	<b>System Management Interrupt:</b> SMI# is an active low output synchronous to PCICLK. It is asserted by the ICH7 in response to one of many enabled hardware or software events.
STPCLK#	O	<b>Stop Clock Request:</b> STPCLK# is an active low output synchronous to PCICLK. It is asserted by the ICH7 in response to one of many hardware or software events. When the processor samples STPCLK# asserted, it responds by stopping its internal clock.
RCIN#	I	<b>Keyboard Controller Reset CPU:</b> The keyboard controller can generate INIT# to the processor. This saves the external OR gate with the ICH7's other sources of INIT#. When the ICH7 detects the assertion of this signal, INIT# is generated for 16 PCI clocks.  <b>NOTE:</b> The ICH7 will ignore RCIN# assertion during transitions to the S1, S3, S4, and S5 states.

Table 2-13. Processor Interface Signals (Sheet 3 of 3)

Name	Type	Description
A2OGATE	I	<b>A2O Gate:</b> A2OGATE is from the keyboard controller. The signal acts as an alternative method to force the A2OM# signal active. It saves the external OR gate needed with various other chipsets.
CPUPWRGD / GPIO49	O	<b>CPU Power Good:</b> This signal should be connected to the processor's PWRGOOD input to indicate when the CPU power is valid. This is an output signal that represents a logical AND of the ICH7's PWROK and VRMPWRGD signals. This signal may optionally be configured as a GPIO.
<b>DPSLP#</b> (Mobile/Ultra Mobile Only) / TP2 (Desktop Only)	O	<b>Deeper Sleep:</b> DPSLP# is asserted by the ICH7 to the processor. When the signal is low, the processor enters the deep sleep state by gating off the processor core clock inside the processor. When the signal is high (default), the processor is not in the deep sleep state.

## 2.14 SMBus Interface

Table 2-14. SM Bus Interface Signals

Name	Type	Description
SMBDATA	I/OD	<b>SMBus Data:</b> External pull-up resistor is required.
SMBCLK	I/OD	<b>SMBus Clock:</b> External pull-up resistor is required.
<b>SMBALERT# /</b> GPIO11	I	<b>SMBus Alert:</b> This signal is used to wake the system or generate SMI#. If not used for SMBALERT#, it can be used as a GPIO.

## 2.15 System Management Interface

Table 2-15. System Management Interface Signals

Name	Type	Description
INTRUDER#	I	<b>Intruder Detect:</b> This signal can be set to disable the system if the chassis is detected open. This signal's status is readable, so it can be used like a GPIO if the Intruder Detection is not needed.
SMLINK[1:0] (Desktop and Mobile Only)	I/OD	<b>System Management Link:</b> These signals provide a SMBus link to optional external system management ASIC or LAN controller. External pull-ups are required. Note that SMLINK0 corresponds to an SMBus clock signal, and SMLINK1 corresponds to an SMBus Data signal.
LINKALERT# (Desktop and Mobile Only)	I/OD	<b>SMLink Alert:</b> This signal is an output of the integrated LAN and input to either the integrated ASF or an external management controller in order for the LAN's SMLINK slave to be serviced.



## 2.16 Real Time Clock Interface

Table 2-16. Real Time Clock Interface

Name	Type	Description
RTCX1	Special	<b>Crystal Input 1:</b> This signal is connected to the 32.768 kHz crystal. If no external crystal is used, RTCX1 can be driven with the desired clock rate.
RTCX2	Special	<b>Crystal Input 2:</b> This signal is connected to the 32.768 kHz crystal. If no external crystal is used, RTCX2 should be left floating.

## 2.17 Other Clocks

Table 2-17. Other Clocks

Name	Type	Description
CLK14	I	<b>Oscillator Clock:</b> This clock signal is used for the 8254 timers. It runs at 14.31818 MHz. This clock is permitted to stop during S3 (or lower) states.
CLK48	I	<b>48 MHz Clock:</b> This clock signal is used to run the USB controller. It runs at 48.000 MHz. This clock is permitted to stop during S3 (or lower) states.
SATA_CLKP SATA_CLKN (Desktop and Mobile Only)	I	<b>100 MHz Differential Clock:</b> These signals are used to run the SATA controller at 100 MHz. This clock is permitted to stop during S3/S4/S5 states.
DMI_CLKP, DMI_CLKN	I	<b>100 MHz Differential Clock:</b> These signals are used to run the Direct Media Interface. They run at 100 MHz.



## 2.18 Miscellaneous Signals

Table 2-18. Miscellaneous Signals

Name	Type	Description
INTVRMEN (Desktop and Mobile Only)	I	<b>Internal Voltage Regulator Enable:</b> This signal enables the internal 1.05 V Suspend regulator when connected to VccRTC. When connected to Vss, the internal regulator is disabled
SPKR	O	<b>Speaker:</b> The SPKR signal is the output of counter 2 and is internally "ANDed" with Port 61h bit 1 to provide Speaker Data Enable. This signal drives an external speaker driver device, which in turn drives the system speaker. Upon PLTRST#, its output state is 0.  <b>NOTE:</b> SPKR is sampled at the rising edge of PWROK as a functional strap. See <a href="#">Section 2.24.1</a> for more details. There is a weak integrated pull-down resistor on SPKR pin.
RTCST# (Desktop and Mobile Only)	I	<b>RTC Reset:</b> When asserted, this signal resets register bits in the RTC well.  <b>NOTES:</b> 1. Unless CMOS is being cleared (only to be done in the G3 power state), the RTCST# input must be high when all other RTC power planes are on. 2. In the case where the RTC battery is dead or missing on the platform, the RTCST# pin must rise before the RSMRST# pin.
TP0 (Desktop Only) / BATLOW# (Mobile/Ultra Mobile Only)	I	<b>Test Point 0:</b> This signal must have an external pull-up to VccSus3_3.
TP1 (Desktop Only) / DPRSTP# (Mobile/Ultra Mobile Only)	O	<b>Test Point 1:</b> Route signal to a test point.
TP2 (Desktop Only) / DPSLP# (Mobile/Ultra Mobile Only)	O	<b>Test Point 2:</b> Route signal to a test point.
TP3	I/O	<b>Test Point 3:</b> Route signal to a test point.



## 2.19 AC '97/Intel® High Definition Audio Link

**Note:** AC '97 is not supported on Ultra Mobile.

**Table 2-19. AC '97/Intel® High Definition Audio Link Signals**

Name <sup>1,2</sup>	Type	Description
ACZ_RST#	O	<b>AC '97/Intel® High Definition Audio Reset:</b> This signal is the master hardware reset to external codec(s).
ACZ_SYNC	O	<b>AC '97/Intel High Definition Audio Sync:</b> This signal is a 48 kHz fixed rate sample sync to the codec(s). It is also used to encode the stream number.
ACZ_BIT_CLK	I/O	<b>AC '97 Bit Clock Input:</b> This signal is a 12.288 MHz serial data clock generated by the external codec(s). This signal has an integrated pull-down resistor (see Note below). <b>Intel High Definition Audio Bit Clock Output:</b> This signal is a 24.000 MHz serial data clock generated by the Intel High Definition Audio controller (the Intel® ICH7). This signal has an integrated pull-down resistor so that ACZ_BIT_CLK doesn't float when an Intel High Definition Audio codec (or no codec) is connected but the signals are temporarily configured as AC '97.
ACZ_SDOUT	O	<b>AC '97/Intel High Definition Audio Serial Data Out:</b> This signal is the serial TDM data output to the codec(s). This serial output is double-pumped for a bit rate of 48 Mb/s for Intel High Definition Audio. <b>NOTE:</b> ACZ_SDOUT is sampled at the rising edge of PWROK as a functional strap. See <a href="#">Section 2.24.1</a> for more details. There is a weak integrated pull-down resistor on the ACZ_SDOUT pin.
ACZ_SDIN[2:0]	I	<b>AC '97/Intel High Definition Audio Serial Data In [2:0]:</b> These signals are serial TDM data inputs from the three codecs. The serial input is single-pumped for a bit rate of 24 Mb/s for Intel® High Definition Audio. These signals have integrated pull-down resistors that are always enabled.
AZ_DOCK_EN# (Mobile Only) / GPIO33	I/O	<b>High Definition Audio Dock Enable:</b> This signal controls the external Intel HD Audio docking isolation logic. This is an active low signal. When deasserted, the external docking switch is in isolate mode. When asserted, the external docking switch electrically connects the Intel HD Audio dock signals to the corresponding Intel® ICH7 signals.  This signal is shared with GPIO33. This signal defaults to GPIO33 mode after PLTRST# reset and will be in the high state after PLTRST# reset. BIOS is responsible for configuring GPIO33 to AZ_DOCK_EN# mode.
AZ_DOCK_RST# (Mobile Only) / GPIO34	I/O	<b>High Definition Audio Dock Reset:</b> This signal is a dedicated AZ_RST# signal for the codec(s) in the docking station. Aside from operating independently from the normal ACZ_RST# signal, it otherwise works similarly to the ACZ_RST# signal.  This signal is shared with GPIO34. This signal defaults to GPIO34 mode after PLTRST# reset and will be in the low state after PLTRST# reset. BIOS is responsible for configuring GPIO34 to AZ_DOCK_RST# mode.

**NOTES:**

- Some signals have integrated pull-ups or pull-downs. Consult table in [Section 3.1](#) for details.
- Intel High Definition Audio mode is selected through D30:F1:40h, bit 0: AZ/AC97#. This bit selects the mode of the shared Intel High Definition Audio/AC '97 signals. When set to 0 AC '97 mode is selected. When set to 1 Intel High Definition Audio mode is selected. The bit defaults to 0 (AC '97 mode).

## 2.20 Serial Peripheral Interface (SPI) (Desktop and Mobile Only)

Table 2-20. Serial Peripheral Interface (SPI) Signals

Name	Type	Description
SPI_CS#	I/O	<b>SPI Chip Select:</b> This chip select signal is also used as the SPI bus request signal.
SPI_MISO	I	<b>SPI Master IN Slave OUT:</b> This signal is the data input pin for Intel® ICH7.
SPI_MOSI	O	<b>SPI Master OUT Slave IN:</b> This signal is the data output pin for ICH7.
SPI_ARB	I	<b>SPI Arbitration:</b> SPI_ARB is the SPI arbitration signal used to arbitrate the SPI bus with Intel PRO 82573E Gigabit Ethernet Controller when Shared Flash is implemented.
SPI_CLK	O	<b>SPI Clock:</b> This signal is the SPI clock signal. During idle, the bus owner will drive the clock signal low. 17.86 MHz.

## 2.21 Intel® Quick Resume Technology (Intel® ICH7DH Only)

Signal Name	Type	Description
EL_RSVD / GPIO26	I/O	<b>Intel® Quick Resume Technology Reserved:</b> This signal is reserved and should be left as a no connect when Intel Quick Resume Technology is enabled.  <b>NOTE:</b> This signal cannot be reused as a GPIO when Intel Quick Resume Technology is enabled.
EL_STATE[1:0] / GPIO[28:27]	I/O	<b>Intel Quick Resume Technology State:</b> Intel Quick Resume Technology status signals that may optionally be used to drive front chassis indicators. See Section 5.26.3 for details.

## 2.22 General Purpose I/O Signals

Table 2-21. General Purpose I/O Signals (Sheet 1 of 3)

Name <sup>1,2</sup>	Type	Tolerance	Power Well	Default	Description
GPIO49	I/O	V_CPU_IO	V_CPU_IO	Native	Multiplexed with CPUPWRGD
GPIO48	I/O	3.3 V	Core	Native	Multiplexed with GNT4#
GPIO[47:40]	N/A	N/A	N/A	N/A	Not implemented.
GPIO[39:38] (Desktop and Mobile Only)	I/O	3.3 V	Core	GPI	Unmultiplexed.
GPIO37 (Desktop and Mobile Only)	I/O	3.3 V	Core	GPI	Multiplexed with SATA3GP.





Table 2-21. General Purpose I/O Signals (Sheet 2 of 3)

Name <sup>1,2</sup>	Type	Tolerance	Power Well	Default	Description
GPIO36 (Desktop and Mobile Only)	I/O	3.3 V	Core	GPI	Multiplexed with SATA2GP.
GPIO35 (Desktop and Mobile Only)	I/O	3.3 V	Core	GPO	Multiplexed with SATACLKREQ#.
GPIO34 (Desktop and Mobile Only)	I/O	3.3 V	Core	GPO	Mobile Only: Multiplexed with AZ_DOCK_RST#. Desktop Only: Unmultiplexed.
GPIO33 (Desktop and Mobile Only)	I/O	3.3 V	Core	GPO	Mobile Only: Multiplexed with AZ_DOCK_EN#. Desktop Only: Unmultiplexed.
GPIO32 (Desktop Only)	I/O	3.3 V	Core	GPO	Mobile/Ultra Mobile Only: this GPIO is not implemented and is used instead as CLKRUN#. Desktop Only: Unmultiplexed.
GPIO31	I/O	3.3 V	Resume	Native	Multiplexed with OC7#
GPIO30	I/O	3.3 V	Resume	Native	Multiplexed with OC6#
GPIO29	I/O	3.3 V	Resume	Native	Multiplexed with OC5#
GPIO28 (Desktop and Mobile Only)	I/O	3.3 V	Resume	GPO	Intel <sup>®</sup> ICH7, ICH7R, and Mobile Only: Unmultiplexed. ICH7DH Only: Multiplexed with EL_STATE1
GPIO27 (Desktop and Mobile Only)	I/O	3.3 V	Resume	GPO	Intel <sup>®</sup> ICH7, ICH7R, and Mobile Only: Unmultiplexed. ICH7DH Only: Multiplexed with EL_STATE0
GPIO26 (Desktop and Mobile Only)	I/O	3.3 V	Resume	GPO	Intel <sup>®</sup> ICH7, ICH7R, and Mobile Only: Unmultiplexed. ICH7DH Only: Multiplexed with EL_RSVD
GPIO25 (Desktop and Mobile Only)	I/O	3.3 V	Resume	GPO	Unmultiplexed.
GPIO24 (Desktop and Mobile Only)	I/O	3.3 V	Resume	GPO	Unmultiplexed. Not cleared by CF9h reset event.
GPIO23 (Desktop and Mobile Only)	I/O	3.3 V	Core	Native	Multiplexed with LDRQ1#
GPIO22	I/O	3.3 V	Core	Native	Multiplexed with REQ4#
GPIO21 (Desktop and Mobile Only)	I/O	3.3 V	Core	GPI	Multiplexed with SATA0GP.
GPIO20 (Desktop Only)	I/O	3.3 V	Core	GPO	Mobile/Ultra Mobile Only: GPIO is not implemented and is used instead as STP_CPU#. Desktop Only: Unmultiplexed.



Table 2-21. General Purpose I/O Signals (Sheet 3 of 3)

Name <sup>1,2</sup>	Type	Tolerance	Power Well	Default	Description
GPI019 (Desktop and Mobile Only)	I/O	3.3 V	Core	GPI	Multiplexed with SATA1GP.
GPI018 (Desktop Only)	I/O	3.3 V	Core	GPO	Mobile/Ultra Mobile Only: GPIO is not implemented and is used instead as STP_PCI#. Desktop Only: Unmultiplexed.
GPI017	I/O	3.3 V	Core	GPO	Multiplexed with GNT5#.
GPI016	I/O	3.3 V	Core	Native (Mobile/ Ultra Mobile) / GPO (Desktop)	Mobile/Ultra Mobile Only: Natively used as DPRSLPVR. Desktop Only: Unmultiplexed.
GPI0[15:12]	I/O	3.3 V	Resume	GPI	Unmultiplexed.
GPI011	I/O	3.3 V	Resume	Native	Multiplexed with SMBALERT#
GPI0[10:8]	I/O	3.3 V	Resume	GPI	Unmultiplexed.
GPI0[7:6]	I/O	3.3 V	Core	GPI	Unmultiplexed.
GPI0[5:2]	I/OD	5 V	Core	GPI	Multiplexed with PIRQ[H:E]#.
GPI01	I/O	5 V	Core	GPI	Multiplexed with REQ5#.
GPI00 (Desktop Only)	I/O	3.3 V	Core	GPI	Mobile/Ultra Mobile Only: Multiplexed with BM_BUSY#. Desktop Only: Unmultiplexed

**NOTES:**

1. GPI[15:0] can be configured to cause a SMI# or SCI. Note that a GPI can be routed to either an SMI# or an SCI, but not both.
2. Some GPIOs exist in the VccSus3\_3 power plane. Care must be taken to make sure GPIO signals are not driven high into powered-down planes. Some ICH7 GPIOs may be connected to pins on devices that exist in the core well. If these GPIOs are outputs, there is a danger that a loss of core power (PWROK low) or a Power Button Override event will result in the Intel ICH7 driving a pin to a logic 1 to another device that is powered down.

## 2.23 Power and Ground

Table 2-22. Power and Ground Signals (Sheet 1 of 3)

Name	Description
Vcc3_3	These pins provide the 3.3 V supply for core well I/O buffers (22pins). This power may be shut off in S3, S4, S5 or G3 states.
Vcc1_05	These pins provide the 1.05 V supply for core well logic (20 pins). This power may be shut off in S3, S4, S5 or G3 states.
Vcc1_5_A	These pins provide the 1.5 V supply for Logic and I/O (30 pins). This power may be shut off in S3, S4, S5 or G3 states.
Vcc1_5_B	These pins provide the 1.5 V supply for Logic and I/O (53 pins). This power may be shut off in S3, S4, S5 or G3 states.
V5REF (Desktop and Mobile Only)	These pins provide the reference for 5 V tolerance on core well inputs (2 pins). This power may be shut off in S3, S4, S5 or G3 states.



Table 2-22. Power and Ground Signals (Sheet 2 of 3)

Name	Description
V5REF1 (Ultra Mobile Only)	These pins provide the reference for 5 V tolerance on core well inputs (1 pin). This power may be shut off in S3, S4, S5 or G3 states.
V5REF2 (Ultra Mobile Only)	These pins provide the reference for 5 V tolerance on core well inputs (1 pin). This power may be shut off in S3, S4, S5 or G3 states.
VccSus3_3	These pins provide the 3.3 V supply for resume well I/O buffers (24 pins). This power is not expected to be shut off unless the system is unplugged in desktop configurations or the main battery is removed or completely drained and AC power is not available in mobile/Ultra Mobile configurations.
VccSus1_05	These pins provide the 1.05 V supply for resume well logic (5 pins). This power is not expected to be shut off unless the system is unplugged in desktop configurations or the main battery is removed or completely drained and AC power is not available in mobile/Ultra Mobile configurations. This voltage may be generated internally (see <a href="#">Section 2.24.1</a> for strapping option). If generated internally, these pins should not be connected to an external supply.
V5REF_Sus	This pin provides the reference for 5 V tolerance on resume well inputs (1 pin). This power is not expected to be shut off unless the system is unplugged in desktop configurations or the main battery is removed or completely drained and AC power is not available in mobile/Ultra Mobile configurations.
<b>VccLAN3_3</b> (Mobile Only)	These pins provide the 3.3 V supply for LAN Connect interface buffers (4 pins). This is a separate power plane that may or may not be powered in S3–S5 states depending upon the presence or absence of AC power and network connectivity. This plane must be on in S0 and S1. <b>NOTE:</b> In Desktop mode these signals are added to the VccSus3_3 group.
<b>VccLAN1_05</b> (Mobile Only)	These pins provide the 1.05 V supply for LAN controller logic (2 pins). This is a separate power plane that may or may not be powered in S3–S5 states depending upon the presence or absence of AC power and network connectivity. This plane must be on in S0 and S1. <b>NOTE:</b> This voltage will be generated internally if VccSus1_05 is generated internally (see <a href="#">Section 2.24.1</a> for strapping option). If generated internally, these pins should not be connected to an external supply. <b>NOTE:</b> In Desktop mode these signals are added to the VccSus1_05 group.
<b>VccSusHDA</b> (Mobile/Ultra Mobile Only)	This pin provides the suspend supply for Intel High Definition Audio (1 pins). This pin can be either 1.5 V or 3.3 V. This power is not expected to be shut off unless the main battery is removed or completely drained and AC power is not available in mobile/Ultra Mobile configurations. <b>NOTE:</b> In Desktop mode this signal is added to the VccSus3_3 group.
<b>VccHDA</b> (Mobile/Ultra Mobile Only)	This pin provides the core supply for Intel High Definition Audio (1 pin). This pin can be either 1.5 V or 3.3 V. This power may be shut off in S3, S4, S5 or G3 states. This plane must be on in S0 and S1. <b>NOTE:</b> In Desktop mode these signals are added to the Vcc3_3 group.

Table 2-22. Power and Ground Signals (Sheet 3 of 3)

Name	Description
VccRTC	This pin provides the 3.3 V (can drop to 2.0 V min. in G3 state) supply for the RTC well (1 pin). This power is not expected to be shut off unless the RTC battery is removed or completely drained.  <b>NOTE:</b> Implementations should not attempt to clear CMOS by using a jumper to pull VccRTC low. Clearing CMOS in an Intel® ICH7-based platform can be done by using a jumper on RTCRST# or GPI.
VccUSBPLL (Desktop and Mobile Only)	This pin provides the 1.5 V supply for core well logic (1 pin). This signal is used for the USB PLL. This power may be shut off in S3, S4, S5 or G3 states. Must be powered even if USB not used.
VccDMIPLL	This pin provides the 1.5 V supply for core well logic (1 pin). This signal is used for the DMI PLL. This power may be shut off in S3, S4, S5 or G3 states.
VccSATAPLL (Desktop and Mobile Only)	This pin provides the 1.5 V supply for core well logic (1 pin). This signal is used for the SATA PLL. This power may be shut off in S3, S4, S5 or G3 states. Must be powered even if SATA not used.
V_CPU_IO	These pins are powered by the same supply as the processor I/O voltage (3 pins). This supply is used to drive the processor interface signals listed in <a href="#">Table 2-13</a> .
Vss	Grounds (194 pins).

## 2.24 Pin Straps

### 2.24.1 Functional Straps

The following signals are used for static configuration. They are sampled at the rising edge of PWROK to select configurations (except as noted), and then revert later to their normal usage. To invoke the associated mode, the signal should be driven at least four PCI clocks prior to the time it is sampled.

Table 2-23. Functional Strap Definitions (Sheet 1 of 3)

Signal	Usage	When Sampled	Comment
ACZ_SDOUT	XOR Chain Entrance / PCI Express* Port Config bit 1	Rising Edge of PWROK	Allows entrance to XOR Chain testing when TP3 pulled low at rising edge of PWROK. See <a href="#">Chapter 25</a> for XOR Chain functionality information. When TP3 not pulled low at rising edge of PWROK, sets bit 1 of RPC.PC (Chipset Configuration Registers: Offset 224h). See <a href="#">Section 7.1.34</a> for details. This signal has a weak internal pull-down.
ACZ_SYNC	PCI Express Port Config bit 0	Rising Edge of PWROK	This signal has a weak internal pull-down. Sets bit 0 of RPC.PC (Chipset Configuration Registers: Offset 224h). See <a href="#">Section 7.1.34</a> for details.
EE_CS (Desktop and Mobile Only)	Reserved		This signal has a weak internal pull-down. <b>NOTE:</b> This signal should not be pulled high.



Table 2-23. Functional Strap Definitions (Sheet 2 of 3)

Signal	Usage	When Sampled	Comment
EE_DOUT (Desktop and Mobile Only)	Reserved		This signal has a weak internal pull-up. <b>NOTE:</b> This signal should not be pulled low.
GNT2#	Reserved		This signal has a weak internal pull-up. <b>NOTE:</b> This signal should not be pulled low.
GNT3#	Top-Block Swap Override	Rising Edge of PWROK	The signal has a weak internal pull-up. If the signal is sampled low, this indicates that the system is strapped to the “top-block swap” mode (Intel® ICH7 inverts A16 for all cycles targeting FWH BIOS space). The status of this strap is readable via the Top Swap bit (Chipset Configuration Registers: Offset 3414h: bit 0). Note that software will not be able to clear the Top-Swap bit until the system is rebooted without GNT3# being pulled down.
GNT5# / GPIO17#, GNT4# / GPIO48	Boot BIOS Destination Selection	Rising Edge of PWROK	This field determines the destination of accesses to the BIOS memory range. Signals have weak internal pull-ups. Also controllable via Boot BIOS Destination bit (Chipset Configuration Registers: Offset 3410h: bit 11:10) (GNT5# is MSB) 01 = SPI (Desktop and Mobile Only) 10 = PCI 11 = LPC
GPIO16 (Desktop Only) / DPRSLPVR (Mobile/Ultra Mobile Only)	Reserved		This signal has a weak internal pull-down. <b>NOTE:</b> This signal should not be pulled high.
GPIO25	DMI AC/DC Coupling Selection (Desktop Only)	Rising Edge of RSMRST#	This signal has a weak internal pull-up. The internal pull-up is disabled within 100 ms after RSMRST# deasserts. If the signal is sampled high, the DMI interface is strapped to operate in DC coupled mode (No coupling capacitors are required on DMI differential pairs). If the signal is sampled low, the DMI interface is strapped to operate in AC coupled mode (Coupling capacitors are required on DMI differential pairs). <b>NOTE:</b> Board designer must ensure that DMI implementation matches the strap selection. <b>NOTE:</b> The signal must be held low at least 2 us after RSMRST# deassertion to enable AC coupled mode.
INTVRMEN (Desktop and Mobile Only)	Integrated VccSus1_05 VRM Enable/Disable	Always	Enables integrated VccSus1_05 VRM when sampled high.

Table 2-23. Functional Strap Definitions (Sheet 3 of 3)

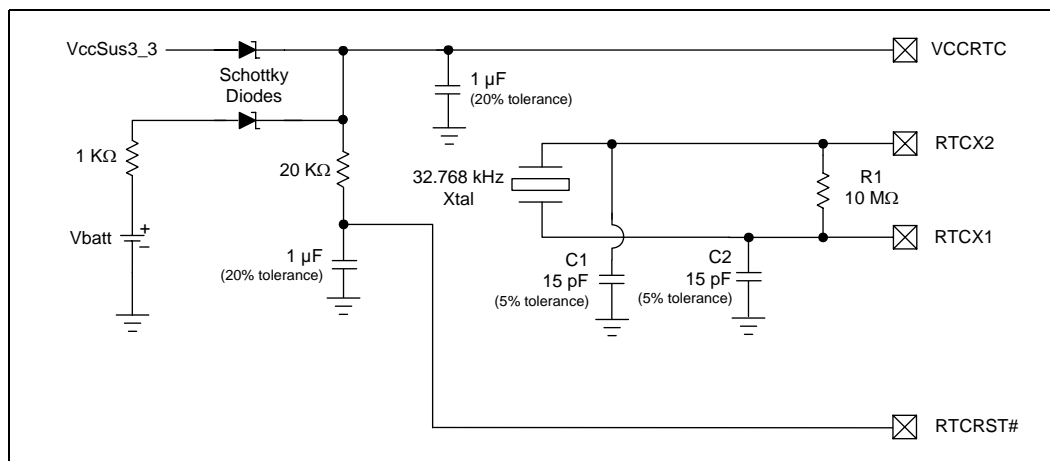
Signal	Usage	When Sampled	Comment
LINKALERT# (Desktop and Mobile Only)	Reserved		This signal requires an external pull-up resistor.
REQ[4:1]#	XOR Chain Selection	Rising Edge of PWROK	See Chapter 25 for functionality information.
SATALED# (Desktop and Mobile Only)	Reserved		This signal has a weak internal pull-up enabled only when PLTRST# is asserted. <b>NOTE:</b> This signal should not be pulled low.
SPKR	No Reboot	Rising Edge of PWROK	The signal has a weak internal pull-down. If the signal is sampled high, this indicates that the system is strapped to the “No Reboot” mode (ICH7 will disable the TCO Timer system reboot feature). The status of this strap is readable via the NO REBOOT bit (Chipset Config Registers: Offset 3410h: bit 5).
TP3	XOR Chain Entrance	Rising Edge of PWROK	See Chapter 25 for functionality information. This signal has a weak internal pull-up. <b>NOTE:</b> This signal should not be pulled low unless using XOR Chain testing.

**NOTE:** See Section 3.1 for full details on pull-up/pull-down resistors.

### 2.24.2 External RTC Circuitry

To reduce RTC well power consumption, the ICH7 implements an internal oscillator circuit that is sensitive to step voltage changes in VccRTC. Figure 2-4 shows an example schematic recommended to ensure correct operation of the ICH7 RTC.

Figure 2-4. Example External RTC Circuit



**NOTE:** C1 and C2 depend on crystal load.

§



## 3 Intel® ICH7 Pin States

### 3.1 Integrated Pull-Ups and Pull-Downs

Table 3-1. Integrated Pull-Up and Pull-Down Resistors (Sheet 1 of 2)

Signal	Resistor	Nominal	Notes
ACZ_BIT_CLK, AC '97 (Desktop and Mobile Only)	Pull-down	20 kΩ	1, 2, 3
ACZ_RST#, AC '97 (Desktop and Mobile Only)	Pull-down	20 kΩ	1, 2, 4
ACZ_SDIN[2:0], AC '97 (Desktop and Mobile Only)	Pull-down	20 kΩ	2, 4
ACZ_SDOUT, AC '97 (Desktop and Mobile Only)	Pull-down	20 kΩ	2, 4, 5
ACZ_SYNC, AC '97 (Desktop and Mobile Only)	Pull-down	20 kΩ	2, 4, 5
ACZ_BIT_CLK, Intel® High Definition Audio	Pull-Down	20 kΩ	2, 6, 7
ACZ_RST#, Intel High Definition Audio	None	N/A	2
ACZ_SDIN[2:0], Intel High Definition Audio	Pull-down	20 kΩ	2, 4
ACZ_SDOUT, Intel High Definition Audio	Pull-down	20 kΩ	1, 2
ACZ_SYNC, Intel High Definition Audio	Pull-down	20 kΩ	2, 4
DD7	Pull-down	11.5 kΩ	8
DDREQ	Pull-down	11.5 kΩ	8
DPRSLPVR / GPIO16	Pull-down	20 kΩ	4, 9
EE_CS (Desktop and Mobile Only)	Pull-down	20 kΩ	10, 11
EE_DIN (Desktop and Mobile Only)	Pull-up	20 kΩ	10
EE_DOUT (Desktop and Mobile Only)	Pull-up	20 kΩ	10
GNT[1:0]	Pull-up	20 kΩ	10, 12
GNT[3:2], GNT4# / GPIO48 GNT5# / GPIO17	Pull-up	20 kΩ	10, 19
GPIO25	Pull-up	20 kΩ	10, 13
LAD[3:0]# / FHW[3:0]#	Pull-up	20 kΩ	10
LAN_CLK (Desktop and Mobile Only)	Pull-down	100 kΩ	14
LAN_RXD[2:0] (Desktop and Mobile Only)	Pull-up	20 kΩ	15
LDRQ[0]	Pull-up	20 kΩ	10
LDRQ1 / GPIO23	Pull-up	20 kΩ	10
PME#	Pull-up	20 kΩ	10
PWRBTN#	Pull-up	20 kΩ	10
SATALED#	Pull-up	15 kΩ	16

**Table 3-1. Integrated Pull-Up and Pull-Down Resistors (Sheet 2 of 2)**

Signal	Resistor	Nominal	Notes
SPI_ARB (Desktop and Mobile Only)	Pull-down	20 kΩ	10
SPI_CLK (Desktop and Mobile Only)	Pull-down	20 kΩ	10
SPKR	Pull-down	20 kΩ	4
TP3	Pull-up	20 kΩ	17
USB[7:0] [P,N]	Pull-down	15 kΩ	18

**NOTES:**

- The pull-down resistors on ACZ\_BIT\_CLK (AC '97) and ACZ\_RST# are enabled when either:
  - The LSO bit (bit 3) in the AC '97 Global Control Register (D30:F2:2C) is set to 1, or
  - Both Function 2 and Function 3 of Device 30 are disabled.
 Otherwise, the integrated Pull-down resistor is disabled.
- The AC '97/Intel High Definition Audio Link signals may either all be configured to be an AC-Link or an Intel High Definition Audio Link.
- Simulation data shows that these resistor values can range from 10 kΩ to 20 kΩ.
- Simulation data shows that these resistor values can range from 9 kΩ to 50 kΩ.
- The pull-down resistors on ACZ\_SYNC (AC '97) and ACZ\_SDOOUT (AC '97) are enabled during reset and also enabled when either:
  - The LSO bit (bit 3) in the AC '97 Global Control Register (D30:F2:2C) is set to 1, or
  - Both Function 2 and Function 3 of Device 30 are disabled.
 Otherwise, the integrated Pull-down resistor is disabled.
- Simulation data shows that these resistor values can range from 10 kΩ to 40 kΩ.
- The pull-down on this signal (in Intel High Definition Audio mode) is only enabled when in S3<sub>COLD</sub>.
- Simulation data shows that these resistor values can range from 5.7 kΩ to 28.3 kΩ.
- The pull-up or pull-down on this signal is only enabled at boot/reset for strapping function.
- Simulation data shows that these resistor values can range from 15 kΩ to 35 kΩ.
- The pull-down on this signal is only enabled when LAN\_RST# is asserted.
- The internal pull-up is enabled only when the PCIRST# pin is driven low and the PWROK indication is high.
- Internal pull-up is enabled during RSMRST# and is disabled within 100 ms after RSMRST# de-asserts.
- Simulation data shows that these resistor values can range from 45 kΩ to 170 kΩ.
- Simulation data shows that these resistor values can range from 15 kΩ to 30 kΩ.
- Simulation data shows that these resistor values can range from 10 kΩ to 20 kΩ. The internal pull-up is only enabled only during PLTRST# assertion.
- Simulation data shows that these resistor values can range from 10 kW to 30 kW.
- Simulation data shows that these resistor values can range from 14.25 kΩ to 24.8 kΩ.
- The internal pull-up is enabled only when PCIRST# is low.

## 3.2 IDE Integrated Series Termination Resistors

Table 3-2 shows the ICH7 IDE signals that have integrated series termination resistors.

**Table 3-2. IDE Series Termination Resistors**

Signal	Integrated Series Termination Resistor Value
DD[15:0], DIOW#, DIOR#, DREQ, DDACK#, IORDY, DA[2:0], DCS1#, DCS3#, IDEIRQ	approximately 33 Ω (See Note)

**NOTE:** Simulation data indicates that the integrated series termination resistors are a nominal 33 Ω but can range from 21 Ω to 75 Ω.





### 3.3 Output and I/O Signals Planes and States

Table 3-3 and Table 3-4 show the power plane associated with the output and I/O signals, as well as the state at various times. Within the table, the following terms are used:

“High-Z”	Tri-state. ICH7 not driving the signal high or low.
“High”	ICH7 is driving the signal to a logic 1
“Low”	ICH7 is driving the signal to a logic 0
“Defined”	Driven to a level that is defined by the function (will be high or low)
“Undefined”	ICH7 is driving the signal, but the value is indeterminate.
“Running”	Clock is toggling or signal is transitioning because function not stopping
“Off”	The power plane is off, so ICH7 is not driving

Note that the signal levels are the same in S4 and S5, except as noted.

ICH7 suspend well signal states are indeterminate and undefined and may glitch, including input signals acting as outputs, prior to RSMRST# deassertion. This does not apply to LAN\_RST#, SLP\_S3#, SLP\_S4# and SLP\_S5#. These signals are determinate and defined prior to RSMRST# deassertion.

ICH7 core well signal states are indeterminate and undefined and may glitch, including input signals acting as outputs, prior to PWROK assertion. This does not apply to FERR# and THRMTRIP#. These signals are determinate and defined prior to PWROK assertion.

**Table 3-3. Power Plane and States for Output and I/O Signals for Desktop Only Configurations (Sheet 1 of 5)**

Signal Name	Power Plane	During PLTRST# <sup>1</sup> / RSMRST# <sup>2</sup>	Immediately after PLTRST# <sup>1</sup> / RSMRST# <sup>2</sup>	S1	S3 <sub>COLD</sub> <sup>3</sup>	S4/S5
<b>PCI Express*</b>						
PETp[4:1], PETn[4:1]  PETp[6:5], PETn[6:5] (Intel® ICH7R and ICH7DH Only)	Core	High	High <sup>4</sup>	Defined	Off	Off
<b>DMI</b>						
DMI[3:0]TXP, DMI[3:0]TXN	Core	High	High <sup>4</sup>	Defined	Off	Off



**Table 3-3. Power Plane and States for Output and I/O Signals for Desktop Only Configurations (Sheet 2 of 5)**

Signal Name	Power Plane	During PLTRST# <sup>1</sup> / RSMRST# <sup>2</sup>	Immediately after PLTRST# <sup>1</sup> / RSMRST# <sup>2</sup>	S1	S3 <sub>COLD</sub> <sup>3</sup>	S4/S5
<b>PCI Bus</b>						
AD[31:0]	Core	Low	Undefined	Defined	Off	Off
C/BE[3:0]#	Core	Low	Undefined	Defined	Off	Off
DEVSEL#	Core	High-Z	High-Z	High-Z	Off	Off
FRAME#	Core	High-Z	High-Z	High-Z	Off	Off
GNT[3:0]# GNT4# / GPIO48 GNT5# / GPIO17	Core	High-Z with Internal Pull-up	High	High	Off	Off
IRDY#, TRDY#	Core	High-Z	High-Z	High-Z	Off	Off
PAR	Core	Low	Undefined	Defined	Off	Off
PCIRST#	Suspend	Low	High	High	Low	Low
PERR#	Core	High-Z	High-Z	High-Z	Off	Off
PLOCK#	Core	High-Z	High-Z	High-Z	Off	Off
STOP#	Core	High-Z	High-Z	High-Z	Off	Off
<b>LPC Interface</b>						
LAD[3:0] / FWH[3:0]	Core	High	High	High	Off	Off
LFRAME# / FWH[4]	Core	High	High	High	Off	Off
<b>LAN Connect and EEPROM Interface</b>						
EE_CS	Suspend	Low	Running	Defined	Defined	Defined
EE_DOUT	Suspend	High	High	Defined	Defined	Defined
EE_SHCLK	Suspend	High-Z	Running	Defined	Defined	Defined
LAN_RSTSYNC	Suspend	High	Low	Defined	Defined	Defined
LAN_TXD[2:0]	Suspend	Low	Low	Defined	Defined	Defined
<b>IDE Interface</b>						
DA[2:0]	Core	Undefined	Undefined	Undefined	Off	Off
DCS1#, DCS3#	Core	High	High	High	Off	Off
DD[15:8], DD[6:0]	Core	High-Z	High-Z	High-Z	Off	Off
DD[7]	Core	Low	Low	Low	Off	Off
DDACK#	Core	High	High	High	Off	Off
DIOR#, DIOW#	Core	High	High	High	Off	Off
<b>SATA Interface</b>						
SATA[3:0]TXP, SATA[3:0]TXN	Core	High-Z	High-Z	Defined	Off	Off
SATALED#	Core	High-Z	High-Z	Defined	Off	Off


**Table 3-3. Power Plane and States for Output and I/O Signals for Desktop Only Configurations (Sheet 3 of 5)**

Signal Name	Power Plane	During PLTRST# <sup>1</sup> / RSMRST# <sup>2</sup>	Immediately after PLTRST# <sup>1</sup> / RSMRST# <sup>2</sup>	S1	S3 <sub>COLD</sub> <sup>3</sup>	S4/S5
SATARBIAS	Core	High-Z	High-Z	High-Z	Off	Off
SATA3GP / GPIO37 SATA2GP / GPIO36 SATA1GP / GPIO19 SATA0GP / GPIO21	Core	Input	Input	Driven	Driven	Driven
SATACLKREQ# / GPIO35	Core	Low	Low	Defined	Off	Off
<b>Interrupts</b>						
PIRQ[A:D]#, PIRQ[H:E]# / GPIO[5:2]	Core	High-Z	High-Z	High-Z	Off	Off
SERIRQ	Core	High-Z	High-Z	High-Z	Off	Off
<b>USB Interface</b>						
USBP[7:0][P,N]	Suspend	Low	Low	Low	Low	Low
USBRBIAS	Suspend	High-Z	High-Z	Defined	Defined	Defined
OC[7:5]# / GPIO[31:29]	Suspend	Input	Input	Driven	Driven	Driven
<b>Power Management</b>						
PLTRST#	Suspend	Low	High	High	Low	Low
SLP_S3#	Suspend	Low	High	High	Low	Low
SLP_S4#	Suspend	Low	High	High	High	Low
SLP_S5#	Suspend	Low	High	High	High	Low <sup>5</sup>
SUS_STAT#	Suspend	Low	High	High	Low	Low
SUSCLK	Suspend	Low	Running			
<b>Processor Interface</b>						
A20M#	Core	Dependant on A20GATE Signal	See Note 6	High	Off	Off
CPUPWRGD / GPIO49	Core	Defined	High <sup>7</sup>	High	Off	Off
CPUSLP#	Core	High	High	Defined	Off	Off
IGNNE#	Core	High	See Note 6	High	Off	Off
INIT#	Core	High	High	High	Off	Off
INIT3_3V#	Core	High	High	High	Off	Off
INTR	Core	See Note 6	See Note 8	Low	Off	Off
NMI	Core	See Note 6	See Note 8	Low	Off	Off
SMI#	Core	High	High	High	Off	Off



**Table 3-3. Power Plane and States for Output and I/O Signals for Desktop Only Configurations (Sheet 4 of 5)**

Signal Name	Power Plane	During PLTRST# <sup>1</sup> / RSMRST# <sup>2</sup>	Immediately after PLTRST# <sup>1</sup> / RSMRST# <sup>2</sup>	S1	S3 <sub>COLD</sub> <sup>3</sup>	S4/S5
STPCLK#	Core	High	High	Low	Off	Off
<b>SMBus Interface</b>						
SMBCLK, SMBDATA	Suspend	High-Z	High-Z	Defined	Defined	Defined
<b>System Management Interface</b>						
SMLINK[1:0]	Suspend	High-Z	High-Z	Defined	Defined	Defined
LINKALERT#	Suspend	High-Z	High-Z	Defined	Defined	Defined
<b>Miscellaneous Signals</b>						
SPKR	Core	High-Z with Internal Pull-down	Low	Defined	Off	Off
<b>AC '97 Interface</b>						
ACZ_RST#	Suspend	Low	Low	Low	Low	Low
ACZ_SDOUT	Core	Low	Running	Low	Off	Off
ACZ_SYNC	Core	Low	Running	Low	Off	Off
<b>Intel® High Definition Audio Interface</b>						
ACZ_RST#	Suspend	Low	Low <sup>9</sup>	Running	Low	Low
ACZ_SDOUT	Core	High-Z with Internal Pull-down	Running	Low	Off	Off
ACZ_SYNC	Core	High-Z with Internal Pull-down	Running	Low	Off	Off
ACZ_BIT_CLK	Core	High-Z with Internal Pull-down	Low <sup>9</sup>	Low	Off	Off
<b>Unmultiplexed GPIO Signals</b>						
GPIO[7:6, 0]	Core	Input	Input	Driven	Off	Off
GPIO[15:12,10:8]	Suspend	Input	Input	Driven	Driven	Driven
GPIO16	Core	Low	Low	Defined	Off	Off
GPIO18	Core	High	See Note 10	Defined	Off	Off
GPIO20	Core	High	High	Defined	Off	Off
GPIO24	Suspend	No Change	No Change	Defined	Defined	Defined
GPIO25	Suspend	High	High <sup>11</sup>	Defined	Defined	Defined
GPIO[28:26]	Suspend	Low	Low	Defined	Defined	Defined
GPIO[33:32]	Core	High	High	Defined	Off	Off
GPIO34	Core	Low	Low	Defined	Off	Off



**Table 3-3. Power Plane and States for Output and I/O Signals for Desktop Only Configurations (Sheet 5 of 5)**

Signal Name	Power Plane	During PLTRST# <sup>1</sup> / RSMRST# <sup>2</sup>	Immediately after PLTRST# <sup>1</sup> / RSMRST# <sup>2</sup>	S1	S3 <sub>COLD</sub> <sup>3</sup>	S4/S5
GPIO[39:38]	Core	Input	Input	Driven	Off	Off
<b>SPI Interface</b>						
SPI_CS#	Suspend	High	High	High	High	High
SPI_MOSI	Suspend	High	High	High	High	High
SPI_CLK	Suspend	Low	Low	Low	Low	Low
<b>Intel® Quick Resume Technology Interface (ICH7DH Only)</b>						
EL_RSVD / GPIO26	Suspend	Low	Low	Defined	Defined	Defined
EL_STATE[1:0] / GPIO[28:27]	Suspend	Low	Low	Defined	Defined	Defined

**NOTES:**

1. The states of Vcc3\_3 signals are taken at the times During PLTRST# and Immediately after PLTRST#.
2. The states of VccSus3\_3 signals are taken at the times During RSMRST# and Immediately after RSMRST#.
3. In S3<sub>HOT</sub>, signal states are platform implementation specific, as some external components and interfaces may be powered when the ICH7 is in the S3<sub>HOT</sub> state.
4. On the ICH7, PETp/n[4:1] are high until port is enabled by software. On the ICH7R and ICH7DH, PETp/n[6:1] are high until port is enabled by software.
5. SLP\_S5# signals will be high in the S4 state.
6. ICH7 drives these signals High after the processor Reset.
7. CPUPWRGD represents a logical AND of the ICH7's VRMPWRGD and PWROK signals, and thus will be driven low by the ICH7 when either VRMPWRGD or PWROK are inactive. During boot, or during a hard reset with power cycling, CPUPWRGD will be expected to transition from low to High-Z.
8. ICH7 drives these signals Low before PWROK rising and Low after the processor Reset.
9. Low until Intel High Definition Audio Controller Reset bit set (D27:F0:Offset HDBAR+08h:bit 0), at which time ACZ\_RST# will be High and ACZ\_BIT\_CLK will be Running.
10. GPIO18 will toggle at a frequency of approximately 1 Hz when the ICH7 comes out of reset
11. GPIO25 transitions from pulled high internally to actively driven within 100 ms of the deassertion of the RSMRST# pin.



**Table 3-4. Power Plane and States for Output and I/O Signals for Mobile/Ultra Mobile Only Configurations (Sheet 1 of 4)**

Signal Name	Power Plane	During PLTRST# <sup>1</sup> / RSMRST# <sup>2</sup>	Immediately after PLTRST# <sup>1</sup> / RSMRST# <sup>2</sup>	C3/C4	S1	S3COLD <sup>3</sup>	S4/S5
<b>PCI Express* (Mobile Only)</b>							
PETp[6:1], PETn[6:1]	Core	High	High <sup>4</sup>	Defined	Defined	Off	Off
<b>DMI</b>							
DMI[3:0]TXP, DMI[3:0]TXN	Core	High	High <sup>4</sup>	Defined	Defined	Off	Off
<b>PCI Bus</b>							
AD[31:0]	Core	Low	Undefined	Defined	Defined	Off	Off
C/BE[3:0]#	Core	Low	Undefined	Defined	Defined	Off	Off
CLKRUN#	Core	Low	Low	Defined		Off	Off
DEVSEL#	Core	High-Z	High-Z	High-Z	High-Z	Off	Off
FRAME#	Core	High-Z	High-Z	High-Z	High-Z	Off	Off
GNT[3:0]# GNT4# / GPIO48 GNT5# / GPIO17	Core	High with Internal Pull-ups	High	High	High	Off	Off
IRDY#, TRDY#	Core	High-Z	High-Z	High-Z	High-Z	Off	Off
PAR	Core	Low	Undefined	Defined	Defined	Off	Off
PCIRST#	Suspend	Low	High	High	High	Low	Low
PERR#	Core	High-Z	High-Z	High-Z	High-Z	Off	Off
PLOCK#	Core	High-Z	High-Z	High-Z	High-Z	Off	Off
STOP#	Core	High-Z	High-Z	High-Z	High-Z	Off	Off
<b>LPC Interface</b>							
LAD[3:0] / FWH[3:0]	Core	High	High	High	High	Off	Off
LFRAME# / FWH[4]	Core	High	High	High	High	Off	Off
<b>LAN Connect and EEPROM Interface (Mobile Only)</b>							
EE_CS	LAN	Low	Running	Defined	Defined	Note 5	Note 5
EE_DOUT	LAN	High	High	Defined	Defined	Note 5	Note 5
EE_SHCLK	LAN	High-Z	Running	Defined	Defined	Note 5	Note 5
LAN_RSTSYNC	LAN	High	Low	Defined	Defined	Note 5	Note 5
LAN_TXD[2:0]	LAN	Low	Low	Defined	Defined	Note 5	Note 5
<b>IDE Interface</b>							
DA[2:0]	Core	Undefined	Undefined	Undefined	Undefined	Off	Off
DCS1#, DCS3#	Core	High	High	High	High	Off	Off
DD[15:8], DD[6:0]	Core	High-Z	High-Z	Defined	High-Z	Off	Off


**Table 3-4. Power Plane and States for Output and I/O Signals for Mobile/Ultra Mobile Only Configurations (Sheet 2 of 4)**

Signal Name	Power Plane	During PLTRST# <sup>1</sup> / RSMRST# <sup>2</sup>	Immediately after PLTRST# <sup>1</sup> / RSMRST# <sup>2</sup>	C3/C4	S1	S3 <sub>COLD</sub> <sup>3</sup>	S4/S5	
DD[7]	Core	Low	Low	Defined	Low	Off	Off	
DDACK#	Core	High	High	High	High	Off	Off	
DIOR#, DIOW#	Core	High	High	High	High	Off	Off	
<b>SATA Interface (Mobile Only)</b>								
SATA[0]TXP, SATA[0]TXN SATA[2]TXP, SATA[2]TXN	Core	High-Z	High-Z	Defined	Defined	Off	Off	
SATALED#	Core	High-Z	High-Z	Defined	Defined	Off	Off	
SATARBIAS	Core	High-Z	High-Z	Defined	Defined	Off	Off	
SATA2GP / GPIO36 SATA0GP / GPIO21	Core	Input	Input	Driven	Driven	Driven		
SATACLKREQ# / GPIO35	Core	Low	Low	Defined	Defined	Off	Off	
<b>Interrupts</b>								
PIRQ[A:D]#, PIRQ[H:E]# / GPIO[5:2]	Core	High-Z	High-Z	Defined	High-Z	Off	Off	
SERIRQ	Core	High-Z	High-Z	Running	High-Z	Off	Off	
<b>USB Interface</b>								
USBP[7:0][P,N]	Suspend	Low	Low	Low	Low	Low	Low	
USBRBIAS	Suspend	High-Z	High-Z	Defined	Defined	Defined	Defined	
OC[7:5]# / GPIO[31:29]	Suspend	Input	Input	Driven	Driven	Driven	Driven	
<b>Power Management</b>								
PLTRST#	Suspend	Low	High	High	High	Low	Low	
SLP_S3#	Suspend	Low	High	High	High	Low	Low	
SLP_S4#	Suspend	Low	High	High	High	High	Low	
SLP_S5#	Suspend	Low	High	High	High	High	Low <sup>6</sup>	
STP_PCI#	Core	High	High	Defined	High	Low	Low	
STP_CPU#	Core	High	High	Low	High	Low	Low	
SUS_STAT#	Suspend	Low	High	High	High	Low	Low	
DPRSLPVR	Core	Low	Low	Low/ High <sup>7</sup>	High	Off	Off	
DPRSTP#	Core	High	High	Low/ High <sup>7</sup>	High	Off	Off	
SUSCLK	Suspend	Low	Running					



**Table 3-4. Power Plane and States for Output and I/O Signals for Mobile/Ultra Mobile Only Configurations (Sheet 3 of 4)**

Signal Name	Power Plane	During PLTRST# <sup>1</sup> / RSMRST# <sup>2</sup>	Immediately after PLTRST# <sup>1</sup> / RSMRST# <sup>2</sup>	C3/C4	S1	S3COLD <sup>3</sup>	S4/S5
<b>Processor Interface</b>							
A20M#	Core	Dependant on A20GATE Signal	See Note 8	Defined	High	Off	Off
CPUPWRGD / GPIO49	Core	See Note 9	High	High	High	Off	Off
IGNNE#	Core	High	See Note 8	High	High	Off	Off
INIT#	Core	High	High	High	High	Off	Off
INIT3_3V#	Core	High	High	High	High	Off	Off
INTR	Core	See Note 10	See Note 10	Defined	Low	Off	Off
NMI	Core	See Note 10	See Note 10	Defined	Low	Off	Off
SMI#	Core	High	High	Defined	High	Off	Off
STPCLK#	Core	High	High	Low	Low	Off	Off
DPSLP#	Core	High	High	High/Low	High	Off	Off
<b>SMBus Interface</b>							
SMBCLK, SMBDATA	Suspend	High-Z	High-Z	Defined	Defined	Defined	Defined
<b>System Management Interface</b>							
SMLINK[1:0]	Suspend	High-Z	High-Z	Defined	Defined	Defined	Defined
LINKALERT#	Suspend	High-Z	High-Z	Defined	Defined	Defined	Defined
<b>Miscellaneous Signals</b>							
SPKR	Core	High-Z with Internal Pull-down	Low	Defined	Defined	Off	Off
<b>AC '97 Interface (Mobile Only)</b>							
ACZ_RST#	Suspend	Low	Low	High	Cold Reset Bit (High)	Low	Low
ACZ_SDOUT	Core	Low	Running	Running	Low	Off	Off
ACZ_SYNC	Core	Low	Running	Running	Low	Off	Off
<b>Intel® High Definition Audio Interface</b>							
ACZ_RST#	Suspend	Low	Low <sup>11</sup>	High	TBD	Low	Low
ACZ_SDOUT	Core	High-Z with Internal Pull-down	Running	Running	Low	Off	Off
ACZ_SYNC	Core	High-Z with Internal Pull-down	Running	Running	Low	Off	Off




**Table 3-4. Power Plane and States for Output and I/O Signals for Mobile/Ultra Mobile Only Configurations (Sheet 4 of 4)**

Signal Name	Power Plane	During PLTRST# <sup>1</sup> / RSMRST# <sup>2</sup>	Immediately after PLTRST# <sup>1</sup> / RSMRST# <sup>2</sup>	C3/C4	S1	S3 <sub>COLD</sub> <sup>3</sup>	S4/S5
ACZ_BIT_CLK	Core	High-Z with Internal Pull-down	Low <sup>11</sup>	Running	Low	Off	Off
AZ_DOCK_RST# / GPIO34	Core	Low	Low <sup>11</sup>	Defined	Defined	Off	Off
AZ_DOCK_EN# / GPIO33	Core	High	High	Defined	Defined	Off	Off
<b>Unmultiplexed GPIO Signals</b>							
GPIO[7:6]	Core	Input	Input	Driven	Driven	Off	Off
GPIO[15:12,10:8]	Suspend	Input	Input	Driven	Driven	Driven	Driven
GPIO18	Core	High	See Note 12	Driven	Driven	Off	Off
GPIO19	Core	Input	Input	Driven	Driven	Off	Off
GPIO24	Suspend	No Change	No Change	Defined	Defined	Defined	Defined
GPIO25	Suspend	High	High <sup>13</sup>	Defined	Defined	Defined	Defined
GPIO[28:26]	Suspend	Low	Low	Defined	Defined	Defined	Defined
GPIO[39:37]	Core	Input	Input	Driven	Driven	Off	Off
<b>SPI Interface (Mobile Only)</b>							
SPI_CS#	Suspend	High	High	High	High	High	High
SPI_MOSI	Suspend	High	High	High	High	High	High
SPI_ARB	Suspend	Low	Low	Low	Low	Low	Low
SPI_CLK	Suspend	Low	Low	Low	Low	Low	Low

**NOTES:**

- The states of Vcc3\_3 signals are taken at the times during PLTRST# and Immediately after PLTRST#.
- The states of VccSus3\_3 signals are taken at the times during RSMRST# and Immediately after RSMRST#.
- In S3<sub>HOT</sub>, signal states are platform implementation specific, as some external components and interfaces may be powered when the Intel® ICH7 is in the S3<sub>HOT</sub> state.
- PETp/n[6:1] high until port is enabled by software.
- LAN Connect and EEPROM signals will either be "Defined" or "Off" in S3–S5 states depending upon whether or not the LAN power planes are active.
- SLP\_S5# signals will be high in the S4 state.
- The state of the DPRSLPVR and DPRSTP# signals in C4 are high if Deeper Sleep is enabled or low if it is disabled.
- ICH7 drives these signals High after the processor Reset.
- CPUPWRGD is an output that represents a logical AND of the Intel® ICH7's VRMPWRGD and PWROK signals, and thus will be driven low by ICH7 when either VRMPWRGD or PWROK are inactive. During boot, or during a hard reset with power cycling, CPUPWRGD will be expected to transition from low to High.
- ICH7 drives these signals Low before PWROK rising and Low after the processor Reset.



11. Low until Intel High Definition Audio Controller Reset bit set (D27:F0:Offset HDBAR+08h:bit 0), at which time ACZ\_RST# will be High and ACZ\_BIT\_CLK will be Running.
12. GPIO18 will toggle at a frequency of approximately 1 Hz when the ICH7 comes out of reset
13. GPIO25 transitions from pulled high internally to actively driven within 100 ms of the deassertion of the RSMRST# pin.

### 3.4 Power Planes for Input Signals

Table 3-5 and Table 3-6 show the power plane associated with each input signal, as well as what device drives the signal at various times. Valid states include:

High

Low

Static: Will be high or low, but will not change

Driven: Will be high or low, and is allowed to change

Running: For input clocks

ICH7 suspend well signal states are indeterminate and undefined and may glitch prior to RSMRST# deassertion. This does not apply to LAN\_RST#, SLP\_S3#, SLP\_S4# and SLP\_S5#. These signals are determinate and defined prior to RSMRST# deassertion.

ICH7 core well signal states are indeterminate and undefined and may glitch prior to PWROK assertion. This does not apply to FERR# and THRMTRIP#. These signals are determinate and defined prior to PWROK assertion.

**Table 3-5. Power Plane for Input Signals for Desktop Only Configurations (Sheet 1 of 3)**

Signal Name	Power Well	Driver During Reset	S1	S3 <sub>COLD</sub> <sup>1</sup>	S4/S5
A20GATE	Core	External Microcontroller	Static	Low	Low
ACZ_BIT_CLK (AC '97 Mode)	Core	AC '97 Codec	Low	Low	Low
ACZ_SDIN[2:0] (AC '97 Mode)	Suspend	AC '97 Codec	Low	Low	Low
ACZ_SDIN[2:0] (Intel® High Definition Audio Mode)	Suspend	Intel® High Definition Audio Codec	Low	Low	Low
CLK14	Core	Clock Generator	Running	Low	Low
CLK48	Core	Clock Generator	Running	Low	Low
DDREQ	Core	IDE Device	Static	Low	Low
DMI_CLKP, DMI_CLKN	Core	Clock Generator	Running	Low	Low
EE_DIN	Suspend	EEPROM Component	Driven	Driven	Driven
FERR#	Core	Processor	Static	Low	Low
PERp[4:1], PERn[4:1] PERp[6:5], PERn[6:5] (Intel® ICH7R and ICH7DH Only)	Core	PCI Express* Device	Driven	Driven	Driven
DMI[3:0]RXP, DMI[3:0]RXN	Core	(G)MCH	Driven	Low	Low
IDEIRQ	Core	IDE	Static	Low	Low
INTRUDER#	RTC	External Switch	Driven	Driven	Driven



Table 3-5. Power Plane for Input Signals for Desktop Only Configurations (Sheet 2 of 3)

Signal Name	Power Well	Driver During Reset	S1	S3 <sub>COLD</sub> <sup>1</sup>	S4/S5
INTVRMEN	RTC	External Pull-up or Pull-down	Driven	Driven	Driven
IORDY	Core	IDE Device	Static	Low	Low
LAN_CLK	Suspend	LAN Connect Component	Driven	Driven	Driven
LAN_RST#	Suspend	External RC Circuit	High	High	High
LAN_RXD[2:0]	Suspend	LAN Connect Component	Driven	Driven	Driven
LDRQ0#	Core	LPC Devices	High	Low	Low
LDRQ1# / GPIO23 <sup>2</sup>	Core	LPC Devices	High	Low	Low
MCH_SYNC#	Core	(G)MCH	Driven	Low	Low
OC[7:0]#	Suspend	External Pull-ups	Driven	Driven	Driven
PCICLK	Core	Clock Generator	Running	Low	Low
PME#	Suspend	Internal Pull-up	Driven	Driven	Driven
PWRBTN#	Suspend	Internal Pull-up	Driven	Driven	Driven
PWROK	RTC	System Power Supply	Driven	Low	Low
RCIN#	Core	External Microcontroller	High	Low	Low
REQ[3:0]#, REQ4# / GPIO22 <sup>2</sup> REQ5# / GPIO12 <sup>2</sup>	Core	PCI Master	Driven	Low	Low
RI#	Suspend	Serial Port Buffer	Driven	Driven	Driven
RSMRST#	RTC	External RC Circuit	High	High	High
RTCST#	RTC	External RC Circuit	High	High	High
SATA_CLKP, SATA_CLKN	Core	Clock Generator	Running	Low	Low
SATA[3:0]RXP, SATA[3:0]RXN	Core	SATA Drive	Driven	Driven	Driven
SATARBIAS#	Core	External Pull-down	Driven	Driven	Driven
SATA[3:0]GP / GPIO[31:29,26] <sup>2</sup>	Core	External Device or External Pull-up/Pull-down	Driven	Driven	Driven
SERR#	Core	PCI Bus Peripherals	High	Low	Low
SMBALERT# / GPIO11 <sup>2</sup>	Suspend	External Pull-up	Driven	Driven	Driven
SYS_RESET#	Suspend	External Circuit	Driven	Driven	Driven
THRM#	Core	Thermal Sensor	Driven	Low	Low
THRMTRIP#	Core	Thermal Sensor	Driven	Low	Low
TP0	Suspend	External Pull-up	High	High	High
TP3	Suspend	Internal Pull-up	High	High	High
USBRBIAS#	Suspend	External Pull-down	Driven	Driven	Driven
VRMPWRGD	Core	Processor Voltage Regulator	High	Low	Low



**Table 3-5. Power Plane for Input Signals for Desktop Only Configurations (Sheet 3 of 3)**

Signal Name	Power Well	Driver During Reset	S1	S3 <sub>COLD</sub> <sup>1</sup>	S4/S5
WAKE#	Suspend	External Pull-up	Driven	Driven	Driven
SPI_MISO	Suspend	External Pull-up	Driven	Driven	Driven
SPI_ARB	Suspend	Internal Pull-down	Low	Low	Low

**NOTES:**

1. In S3<sub>HOT</sub>, signal states are platform implementation specific, as some external components and interfaces may be powered when the ICH7 is in the S3<sub>HOT</sub> state.
2. These signals can be configured as outputs in GPIO mode.

**Table 3-6. Power Plane for Input Signals for Mobile/Ultra Mobile Only Configurations (Sheet 1 of 3)**

Signal Name	Power Well	Driver During Reset	C3/C4	S1	S3 <sub>COLD</sub> <sup>1</sup>	S4/S5
A20GATE	Core	External Microcontroller	Static	Static	Low	Low
ACZ_BIT_CLK (AC '97 mode) (Mobile Only)	Core	AC '97 Codec	Driven	Low	Low	Low
ACZ_SDIN[2:0] (AC '97 mode) (Mobile Only)	Suspend	AC '97 Codec	Driven	Low	Low	Low
ACZ_SDIN[2:0] (Intel® High Definition Audio Mode)	Suspend	Intel® High Definition Audio Codec	Driven	Low	Low	Low
BM_BUSY# / GPIO0 <sup>1</sup>	Core	Graphics Component [(G)MCH]	Driven	High	Low	Low
BATLOW#	Suspend	Power Supply	High	High	High	High
CLK14	Core	Clock Generator	Running	Running	Low	Low
CLK48	Core	Clock Generator	Running	Running	Low	Low
DDREQ	Core	IDE Device	Driven	Static	Low	Low
DMI_CLKP DMI_CLKN	Core	Clock Generator	Running	Running	Low	Low
EE_DIN (Mobile Only)	LAN	EEPROM Component	Driven	Driven	Note 2	Note 2
FERR#	Core	Processor	Static	Static	Low	Low
PERp[6:1], PERn[6:1] (Mobile Only)	Core	PCI Express* Device	Driven	Driven	Driven	Driven
DMI[3:0]RXP, DMI[3:0]RXN	Core	(G)MCH	Driven	Driven	Low	Low
IDEIRQ	Core	IDE	Driven	Static	Low	Low
INTRUDER#	RTC	External Switch	Driven	Driven	Driven	Driven
INTVRMEN (Mobile Only)	RTC	External Pull-up or Pull-down	Driven	Driven	Driven	Driven


**Table 3-6. Power Plane for Input Signals for Mobile/Ultra Mobile Only Configurations (Sheet 2 of 3)**

Signal Name	Power Well	Driver During Reset	C3/C4	S1	S3 <sub>COLD</sub> <sup>1</sup>	S4/S5
IORDY	Core	IDE Device	Static	Static	Low	Low
LAN_CLK (Mobile Only)	LAN	LAN Connect Component	Driven	Driven	Note 2	Note 2
LAN_RST# (Mobile Only)	Suspend	Power Supply	High	High	Static	Static
LAN_RXD[2:0] (Mobile Only)	LAN	LAN Connect Component	Driven	Driven	Note 2	Note 2
LDRQ0#	Core	LPC Devices	Driven	High	Low	Low
LDRQ1# / GPIO23 <sup>3</sup>	Core	LPC Devices	Driven	High	Low	Low
MCH_SYNC#	Core	(G)MCH	Driven	Driven	Low	Low
OC[7:0]#	Suspend	External Pull-ups	Driven	Driven	Driven	Driven
PCICLK	Core	Clock Generator	Running	Running	Low	Low
PME#	Suspend	Internal Pull-up	Driven	Driven	Driven	Driven
PWRBTN#	Suspend	Internal Pull-up	Driven	Driven	Driven	Driven
PWROK	RTC	System Power Supply	Driven	Driven	Low	Low
RCIN#	Core	External Microcontroller	High	High	Low	Low
REQ[3:0]#, REQ4# / GPIO22 <sup>3</sup> REQ5# / GPIO1 <sup>3</sup>	Core	PCI Master	Driven	Driven	Low	Low
RI#	Suspend	Serial Port Buffer	Driven	Driven	Driven	Driven
RSMRST#	RTC	External RC Circuit	High	High	High	High
RTCRST#	RTC	External RC Circuit	High	High	High	High
SATA_CLKP, SATA_CLKN (Mobile Only)	Core	Clock Generator	Running	Running	Low	Low
SATA[0]RXP, SATA[0]RXN SATA[2]RXP, SATA[2]RXN (Mobile Only)	Core	SATA Drive	Driven	Driven	Driven	Driven
SATARBIAS# (Mobile Only)	Core	External Pull-Down	Driven	Driven	Driven	Driven
SATA[2,0]GP (Mobile Only)	Core	External Device or External Pull-up/Pull- down	Driven	Driven	Driven	Driven
SERR#	Core	PCI Bus Peripherals	Driven	High	Low	Low
SMBALERT# / GPIO11 <sup>3</sup>	Suspend	External Pull-up	Driven	Driven	Driven	Driven
SYS_RESET#	Suspend	External Circuit	Driven	Driven	Driven	Driven
THRM#	Core	Thermal Sensor	Driven	Driven	Low	Low



Table 3-6. Power Plane for Input Signals for Mobile/Ultra Mobile Only Configurations (Sheet 3 of 3)

Signal Name	Power Well	Driver During Reset	C3/C4	S1	S3 <sub>COLD</sub> <sup>1</sup>	S4/S5
THRMTRIP#	Core	Thermal Sensor	Driven	Driven	Low	Low
TP3	Suspend	Internal Pull-up	High	High	High	High
USBBIAS#	Suspend	External Pull-down	Driven	Driven	Driven	Driven
VRMPWRGD	Core	Processor Voltage Regulator	Driven	Driven	Low	Low
WAKE#	Suspend	External Pull-up	Driven	Driven	Driven	Driven
SPI_MISO (Mobile Only)	Suspend	External Pull-up	Driven	Driven	Driven	Driven
SPI_ARB (Mobile Only)	Suspend	Internal Pull-down	Low	Low	Low	Low

**NOTES:**

1. In S3<sub>HOT</sub>, signal states are platform implementation specific, as some external components and interfaces may be powered when the Intel® ICH7 is in the S3<sub>HOT</sub> state.
2. LAN Connect and EEPROM signals will either be "Driven" or "Low" in S3–S5 states depending upon whether or not the LAN power planes are active.
3. These signals can be configured as outputs in GPIO mode.

§



## 4 Intel® ICH7 and System Clock Domains

Table 4-1 shows the system clock domains. Figure 4-1 and Figure 4-2 show the assumed connection of the various system components, including the clock generator in desktop and mobile/ultra mobile systems. For complete details of the system clocking solution, refer to the system's clock generator component specification.

**Table 4-1. Intel® ICH7 and System Clock Domains**

Clock Domain	Frequency	Source	Usage
Intel® ICH7 SATA_CLKP, SATA_CLKN (Desktop and Mobile only)	100 MHz	Main Clock Generator	Differential clock pair used for SATA.
ICH7 DMI_CLKP, DMI_CLKN	100 MHz	Main Clock Generator	Differential clock pair used for DMI.
ICH7 PCICLK	33 MHz	Main Clock Generator	Free-running PCI Clock to ICH7. This clock remains on during S0 and S1 (in desktop) state, and is expected to be shut off during S3 or below in desktop configurations or S1 or below in mobile/ultra mobile configurations.
System PCI	33 MHz	Main Clock Generator	PCI Bus, LPC I/F. These only go to external PCI and LPC devices. Will stop based on CLKRUN# (and STP_PCI#) in mobile/ultra mobile configurations.
ICH7 CLK48	48.000 MHz	Main Clock Generator	Super I/O, USB controllers. Expected to be shut off during S3 or below in desktop configurations or S1 or below in mobile/ultra mobile configurations.
ICH7 CLK14	14.31818 MHz	Main Clock Generator	Used for ACPI timer and Multimedia Timers. Expected to be shut off during S3 or below in desktop configurations or S1 or below in mobile/ultra mobile configurations.
ICH7 ACZ_BIT_CLK (Desktop and Mobile only)	12.288 MHz	AC '97 Codec	AC-link. Generated by AC '97 Codec. Can be shut by codec in D3. Expected to be shut off during S3 or below in desktop configurations or S1 or below in mobile configurations. <b>NOTE:</b> For use only in AC '97 mode.
LAN_CLK (Desktop and Mobile only)	5 to 50 MHz	LAN Connect Component	Generated by the LAN Connect component. Expected to be shut off during S3 or below in desktop configurations or S1 or below in mobile configurations.
SPI_CLK (Desktop and Mobile Only)	17.86 MHz	ICH	Generated by the LAN Connect component. Expected to be shut off during S3 or below in desktop configurations or S1 or below in mobile configurations.

Figure 4-1. Desktop Only Conceptual System Clock Diagram

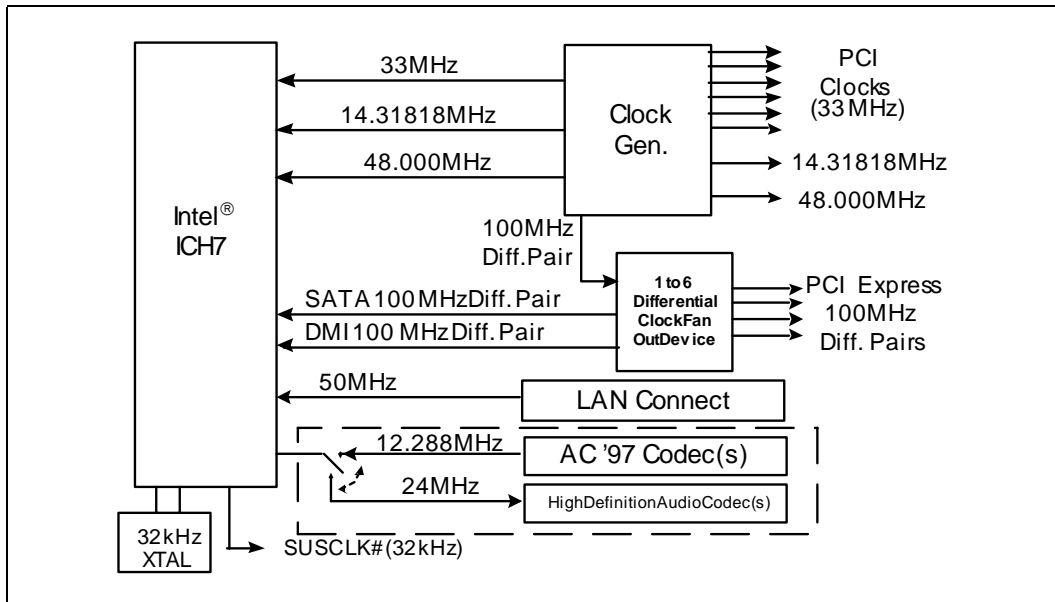


Figure 4-2. Mobile Only Conceptual Clock Diagram

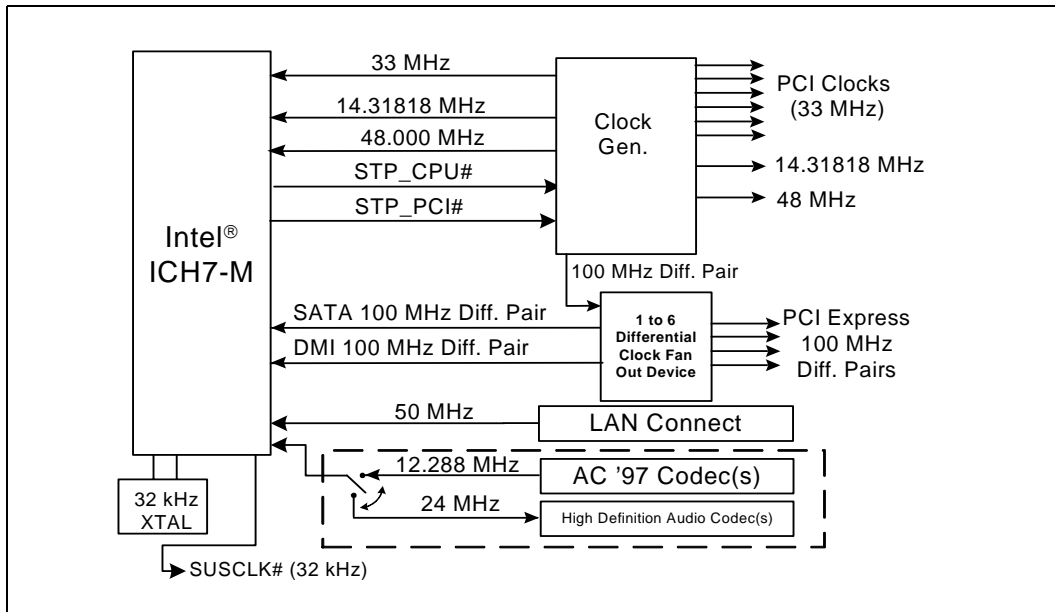
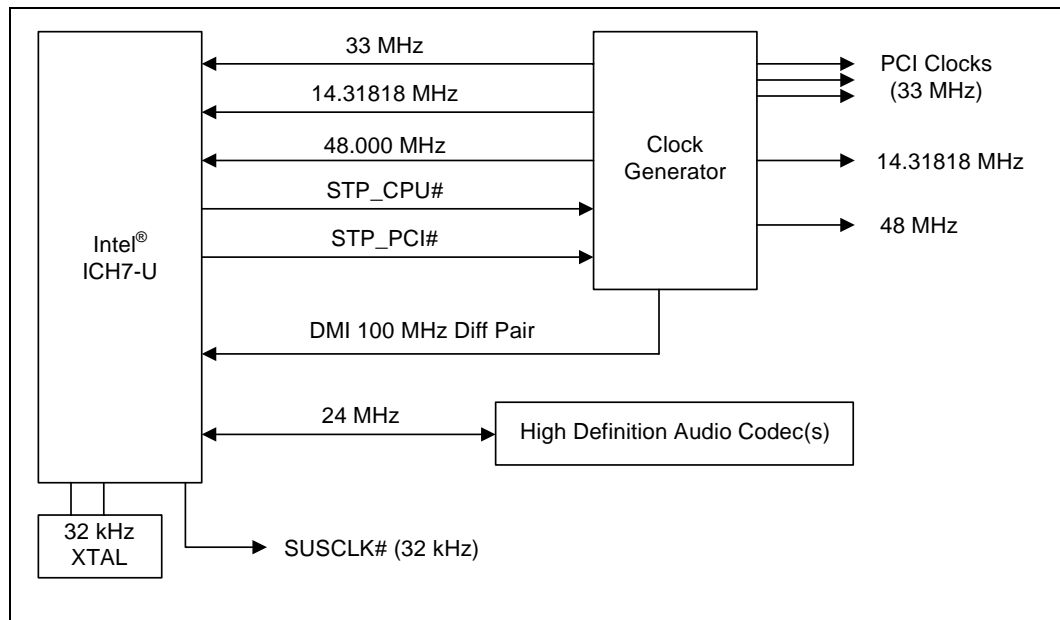






Figure 4-3. Ultra Mobile Only Conceptual Clock Diagram



§





## 5 Functional Description

This chapter describes the functions and interfaces of the ICH7 family.

### 5.1 PCI-to-PCI Bridge (D30:F0)

The PCI-to-PCI bridge resides in PCI Device 30, Function 0 on bus #0. This portion of the ICH7 implements the buffering and control logic between PCI and Direct Media Interface (DMI). The arbitration for the PCI bus is handled by this PCI device. The PCI decoder in this device must decode the ranges for the DMI. All register contents are lost when core well power is removed.

Direct Media Interface (DMI) is the chip-to-chip connection between the Memory Controller Hub / Graphics and Memory Controller Hub ((G)MCH) and I/O Controller Hub 7 (ICH7). This high-speed interface integrates advanced priority-based servicing allowing for concurrent traffic and true isochronous transfer capabilities. Base functionality is completely software transparent permitting current and legacy software to operate normally.

To provide for true isochronous transfers and configurable Quality of Service (QoS) transactions, the ICH7 supports two virtual channels on DMI: VC0 and VC1. These two channels provide a fixed arbitration scheme where VC1 is the highest priority. VC0 is the default conduit of traffic for DMI and is always enabled. VC1 must be specifically enabled and configured at both ends of the DMI link (i.e., the ICH7 and (G)MCH).

Configuration registers for DMI, virtual channel support, and DMI active state power management (ASPM) are in the RCRB space in the Chipset Config Registers (Section 7).

#### 5.1.1 PCI Bus Interface

The ICH7 PCI interface supports *PCI Local Bus Specification*, Revision 2.3, at 33 MHz. The ICH7 integrates a PCI arbiter that supports up to six external PCI bus masters in addition to the internal ICH7 requests.

#### 5.1.2 PCI Bridge As an Initiator

The bridge initiates cycles on the PCI bus when granted by the PCI arbiter. The bridge generates the following cycle types:

**Table 5-1. PCI Bridge Initiator Cycle Types**

Command	C/BE#	Notes
I/O Read/Write	2h/3h	Non-posted
Memory Read/Write	6h/7h	Writes are posted
Configuration Read/Write	Ah/Bh	Non-posted
Special Cycles	1h	Posted

##### 5.1.2.1 Memory Reads and Writes

The bridge bursts memory writes on PCI that are received as a single packet from DMI.



#### 5.1.2.2 I/O Reads and Writes

The bridge generates single DW I/O read and write cycles. When the cycle completes on the PCI bus, the bridge generates a corresponding completion on DMI. If the cycle is retried, the cycle is kept in the down bound queue and may be passed by a postable cycle.

#### 5.1.2.3 Configuration Reads and Writes

The bridge generates single DW configuration read and write cycles. When the cycle completes on the PCI bus, the bridge generates a corresponding completion. If the cycle is retried, the cycle is kept in the down bound queue and may be passed by a postable cycle.

#### 5.1.2.4 Locked Cycles

The bridge propagates locks from DMI per the *PCI Local Bus Specification*. The PCI bridge implements bus lock, which means the arbiter will not grant to any agent except DMI while locked.

If a locked read results in a target or master abort, the lock is not established (as per the *PCI Local Bus Specification*). Agents north of the ICH7 must not forward a subsequent locked read to the bridge if they see the first one finish with a failed completion.

#### 5.1.2.5 Target / Master Aborts

When a cycle initiated by the bridge is master/target aborted, the bridge will not re-attempt the same cycle. For multiple DW cycles, the bridge increments the address and attempts the next DW of the transaction. For all non-postable cycles, a target abort response packet is returned for each DW that was master or target aborted on PCI. The bridge drops posted writes that abort.

#### 5.1.2.6 Secondary Master Latency Timer

The bridge implements a Master Latency Timer via the SLT register which, upon expiration, causes the de-assertion of FRAME# at the next legal clock edge when there is another active request to use the PCI bus.

#### 5.1.2.7 Dual Address Cycle (DAC)

The bridge will issue full 64-bit dual address cycles for device memory-mapped registers above 4 GB.



### 5.1.2.8 Memory and I/O Decode to PCI

The PCI bridge in the ICH7 is a **subtractive decode agent**, which follows the following rules when forwarding a cycle from DMI to the PCI interface:

- The PCI bridge will **positively** decode any memory/IO address within its window registers, assuming PCICMD.MSE (D30:F0:Offset 04h:bit 1) is set for memory windows and PCICMD.IOSE (D30:F0:Offset 04h:bit 0) is set for IO windows.
- The PCI bridge will **subtractively** decode any 64-bit memory address not claimed by another agent, assuming PCICMD.MSE (D30:F0:Offset 04h:bit 1) is set.
- The PCI bridge will **subtractively** decode any 16-bit I/O address not claimed by another agent assuming PCICMD.IOSE (D30:F0:Offset 04h:bit 0) set
- If BCTRL.IE (D30:F0:Offset 3Eh:bit 2) is set, the PCI bridge will **not positively** forward from primary to secondary called out ranges in the IO window per *PCI Local Bus Specification* (I/O transactions addressing the last 768 bytes in each, 1-KB block: offsets 100h to 3FFh). The PCI bridge will still take them subtractively assuming the above rules.
- If BCTRL.VGAE (D30:F0:Offset 3Eh:bit 3) is set, the PCI bridge will **positively** forward from primary to secondary I/O and memory ranges as called out in the *PCI Bridge Specification*, assuming the above rules are met.

### 5.1.3 Parity Error Detection and Generation

PCI parity errors can be detected and reported. The following behavioral rules apply:

- When a parity error is detected on PCI, the bridge sets the SECSTS.DPE (D30:F0:Offset 1Eh:bit 15).
- If the bridge is a master and BCTRL.PERE (D30:F0:Offset 3Eh:bit 0) and one of the parity errors defined below is detected on PCI, then the bridge will set SECSTS.DPD (D30:F0:Offset 1Eh:bit 8) and will also generate an internal SERR#.
  - During a write cycle, the PERR# signal is active, or
  - A data parity error is detected while performing a read cycle
- If an address or command parity error is detected on PCI and PCICMD.SEE (D30:F0:Offset 04h:bit 8), BCTRL.PERE, and BCTRL.SEE (D30:F0:Offset 3Eh:bit 1) are all set, the bridge will set the PSTS.SSE (D30:F0:Offset 06h:bit 14) and generate an internal SERR#.
- If the PSTS.SSE is set because of an address parity error and the PCICMD.SEE is set, the bridge will generate an internal SERR#
- When bad parity is detected from DMI, bad parity will be driven on all data the bridge.
- When an address parity error is detected on PCI, the PCI bridge will not claim the cycle. This is a slight deviation from the PCI bridge spec, which says that a cycle should be claimed if BCTRL.PERE is not set. However, DMI does not have a concept of address parity error, so claiming the cycle could result in the rest of the system seeing a bad transaction as a good transaction.

### 5.1.4 PCIRST#

The PCIRST# pin is generated under two conditions:

- PLTRST# active
- BCTRL.SBR (D30:F0:Offset 3Eh:bit 6) set to 1

The PCIRST# pin is in the resume well. PCIRST# should be tied to PCI bus agents, but not other agents in the system.

### 5.1.5 Peer Cycles

The PCI bridge may be the initiator of peer cycles. Peer cycles include memory, IO, and configuration cycle types. Peer cycles are only allowed through VC0, and are enabled with the following bits:

- BPC.PDE (D30:F0:Offset 4Ch:bit 2) – Memory and IO cycles
- BPC.CDE (D30:F0:Offset 4Ch:bit 1) – Configuration cycles

When enabled for peer for one of the above cycle types, the PCI bridge will perform a peer decode to see if a peer agent can receive the cycle. When not enabled, memory cycles (posted and/or non-posted) are sent to DMI, and I/O and/or configuration cycles are not claimed.

Configuration cycles have special considerations. Under the *PCI Local Bus Specification*, these cycles are not allowed to be forwarded upstream through a bridge. However, to enable things such as manageability, BPC.CDE can be set. When set, type 1 cycles are allowed into the part. The address format of the type 1 cycle is slightly different from a standard PCI configuration cycle to allow addressing of extended PCI space. The format is as follows:

**Table 5-2. Type 1 Address Format**

Bits	Definition
31:27	Reserved (same as the <i>PCI Local Bus Specification</i> )
26:24	Extended Configuration Address – allows addressing of up to 4K. These bits are combined with bits 7:2 to get the full register.
23:16	Bus Number (same as the <i>PCI Local Bus Specification</i> )
15:11	Device Number (same as the <i>PCI Local Bus Specification</i> )
10:8	Function Number (same as the <i>PCI Local Bus Specification</i> )
7:2	Register (same as the <i>PCI Local Bus Specification</i> )
1	0
0	Must be 1 to indicate a type 1 cycle. Type 0 cycles are not decoded.

**Note:** The ICH7's AC '97, IDE and USB controllers cannot perform peer-to-peer traffic.

### 5.1.6 PCI-to-PCI Bridge Model

From a software perspective, the ICH7 contains a PCI-to-PCI bridge. This bridge connects DMI to the PCI bus. By using the PCI-to-PCI bridge software model, the ICH7 can have its decode ranges programmed by existing plug-and-play software such that PCI ranges do not conflict with graphics aperture ranges in the Host controller.

**Note:** All downstream devices should be disabled before reconfiguring the PCI Bridge. Failure to do so may cause undefined results.



### 5.1.7 IDSEL to Device Number Mapping

When addressing devices on the external PCI bus (with the PCI slots), the ICH7 asserts one address signal as an IDSEL. When accessing device 0, the ICH7 asserts AD16. When accessing Device 1, the ICH7 asserts AD17. This mapping continues all the way up to device 15 where the ICH7 asserts AD31. Note that the ICH7's internal functions (AC '97 on Desktop/Mobile, Intel High Definition Audio, IDE, USB, SATA on Desktop/Mobile and PCI Bridge) are enumerated like they are off of a separate PCI bus (DMI) from the external PCI bus. The integrated LAN controller (Desktop and Mobile Only) is Device 8 on the ICH7's PCI bus, and hence it uses AD24 for IDSEL.

### 5.1.8 Standard PCI Bus Configuration Mechanism

The PCI Bus defines a slot based "configuration space" that allows each device to contain up to eight functions with each function containing up to 256, 8-bit configuration registers. The *PCI Local Bus Specification*, Revision 2.3 defines two bus cycles to access the PCI configuration space: Configuration Read and Configuration Write. Memory and I/O spaces are supported directly by the processor. Configuration space is supported by a mapping mechanism implemented within the ICH7. The *PCI Local Bus Specification*, Revision 2.3 defines two mechanisms to access configuration space, Mechanism 1 and Mechanism 2. The ICH7 only supports Mechanism 1.

**Warning:** Configuration writes to internal devices, when the devices are disabled, are invalid and may cause undefined results.

## 5.2 PCI Express\* Root Ports (D28:F0,F1,F2,F3,F4,F5) (Desktop and Mobile Only)

There are four root ports available in ICH7, with select ICH7 components (ICH7R, ICH7DH, and ICH7-M DH) having six root ports adding port 5 and port 6 (see [Section 1.2](#)). These all reside in device 28, and take function 0 – 5. Port 1 is function 0, port 2 is function 1, port 3 is function 2, port 4 is function 3, port 5 is function 4, and port 6 is function 5.

Optionally, PCI Express ports 1-4 can be configured as a single one x4 port identified as port 1. This is accomplished by placing external pull-up resistors on ACZ\_SDOUT and ACZ\_SYNC. When these signals are sampled high on PWROK assertion, this will be registered in the Port Configuration field of the Root Port Configuration Register and the corresponding ports will be configured as one x4 port.

### 5.2.1 Interrupt Generation

The root port generates interrupts on behalf of Hot-Plug and power management events, when enabled. These interrupts can either be pin based, or can be MSIs, when enabled.

When an interrupt is generated via the legacy pin, the pin is internally routed to the ICH7 interrupt controllers. The pin that is driven is based upon the setting of the chipset configuration registers. Specifically, the chipset configuration registers used are the D28IP (Base address + 310Ch) and D28IR (Base address + 3146h) registers.

[Table 5-3](#) summarizes interrupt behavior for MSI and wire-modes. In the table "bits" refers to the Hot-Plug and PME interrupt bits.

**Table 5-3. MSI vs. PCI IRQ Actions**

Interrupt Register	Wire-Mode Action	MSI Action
All bits 0	Wire inactive	No action
One or more bits set to 1	Wire active	Send message
One or more bits set to 1, new bit gets set to 1	Wire active	Send message
One or more bits set to 1, software clears some (but not all) bits	Wire active	Send message
One or more bits set to 1, software clears all bits	Wire inactive	No action
Software clears one or more bits, and one or more bits are set on the same clock	Wire active	Send message

## 5.2.2 Power Management

### 5.2.2.1 S3/S4/S5 Support

Software initiates the transition to S3/S4/S5 by performing an IO write to the Power Management Control register in the ICH7. After the IO write completion has been returned to the processor, each root port will send a PME\_Turn\_Off TLP (Transaction Layer Packet) message on its downstream link. The device attached to the link will eventually respond with a PME\_TO\_Ack TLP message followed by sending a PM\_Enter\_L23 DLLP (Data Link Layer Packet) request to enter the L2/L3 Ready state. When all of the ICH7 root ports links are in the L2/L3 Ready state, the ICH7 power management control logic will proceed with the entry into S3/S4/S5.

Prior to entering S3, software is required to put each device into D3<sub>HOT</sub>. When a device is put into D3<sub>HOT</sub>, it will initiate entry into a L1 link state by sending a PM\_Enter\_L1 DLLP. Thus, under normal operating conditions when the root ports sends the PME\_Turn\_Off message, the link will be in state L1. However, when the root port is instructed to send the PME\_Turn\_Off message, it will send it whether or not the link was in L1. Endpoints attached to the ICH7 can make no assumptions about the state of the link prior to receiving a PME\_Turn\_Off message.

### 5.2.2.2 Resuming from Suspended State

The root port contains enough circuitry in the resume well to detect a wake event thru the WAKE# signal and to wake the system. When WAKE# is detected asserted, an internal signal is sent to the power management controller of the ICH7 to cause the system to wake up. This internal message is not logged in any register, nor is an interrupt/GPE generated due to it.

### 5.2.2.3 Device Initiated PM\_PME Message

When the system has returned to a working state from a previous low power state, a device requesting service will send a PM\_PME message continuously, until acknowledge by the root port. The root port will take different actions depending upon whether this is the first PM\_PME has been received, or whether a previous message has been received but not yet serviced by the operating system.

If this is the first message received (RSTS.PS - D28:F0/F1/F2/F3/F4/F5: Offset 60h: bit 16 is cleared), the root port will set RSTS.PS, and log the PME Requester ID into RSTS.RID (D28:F0/F1/F2/F3/F4/F5: Offset 60h: bits 15:0). If an interrupt is enabled via





RCTL.PIE (D28:F0/F1/F2/F3/F4/F5:Offset 5Ch:bit 3), an interrupt will be generated. This interrupt can be either a pin or a MSI if MSI is enabled via MC.MSIE (D28:F0/F1/F2/F3/F4/F5:Offset 82h:bit 0). See Section 5.2.2.4 for SMI/SCI generation.

If this is a subsequent message received (RSTS.PS is already set), the root port will set RSTS.PP (D28:F0/F1/F2/F3/F4/F5:Offset 60h:bit 17) and log the PME Requester ID from the message in a hidden register. No other action will be taken.

When the first PME event is cleared by software clearing RSTS.PS, the root port will set RSTS.PS, clear RSTS.PP, and move the requester ID from the hidden register into RSTS.RID.

If RCTL.PIE is set, generate an interrupt. If RCTL.PIE is not set, send over to the power management controller so that a GPE can be set. If messages have been logged (RSTS.PS is set), and RCTL.PIE is later written from a 0 to a 1, and interrupt must be generated. This last condition handles the case where the message was received prior to the operating system re-enabling interrupts after resuming from a low power state.

### 5.2.2.4 SMI/SCI Generation

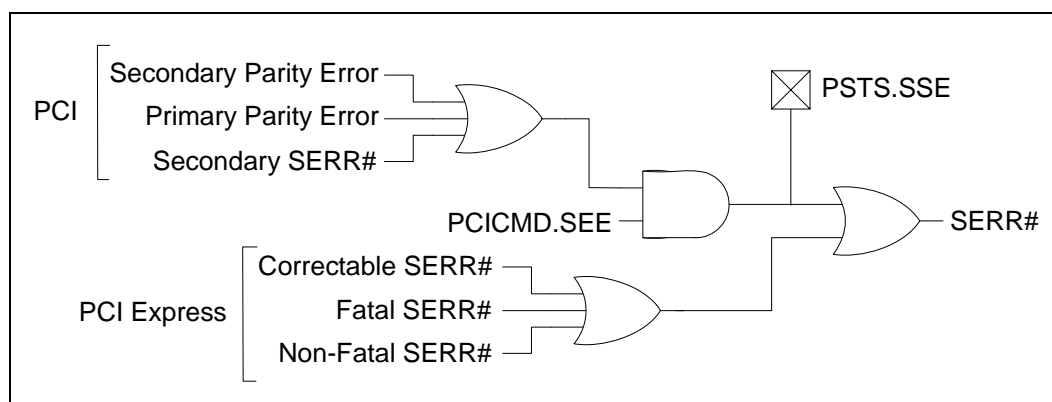
Interrupts for power management events are not supported on legacy operating systems. To support power management on non-PCI Express aware operating systems, PM events can be routed to generate SCI. To generate SCI, MPC.PMCE must be set. When set, a power management event will cause SMSCS.PMCS (D28:F0/F1/F2/F3/F4/F5:Offset DCh:bit 31) to be set.

Additionally, BIOS workarounds for power management can be supported by setting MPC.PMME (D28:F0/F1/F2/F3/F4/F5:Offset D8h:bit 0). When this bit is set, power management events will set SMSCS.PMMS (D28:F0/F1/F2/F3/F4/F5:Offset DCh:bit 0), and SMI # will be generated. This bit will be set regardless of whether interrupts or SCI is enabled. The SMI# may occur concurrently with an interrupt or SCI.

### 5.2.3 SERR# Generation

SERR# may be generated via two paths – through PCI mechanisms involving bits in the PCI header, or through PCI Express mechanisms involving bits in the PCI Express capability structure.

Figure 5-1. Generation of SERR# to Platform





## 5.2.4 Hot-Plug

Each root port implements a Hot-Plug controller which performs the following:

- Messages to turn on / off / blink LEDs
- Presence and attention button detection
- Interrupt generation

The root port only allows Hot-Plug with modules (e.g., ExpressCard\*). Edge-connector based Hot-Plug is not supported.

### 5.2.4.1 Presence Detection

When a module is plugged in and power is supplied, the physical layer will detect the presence of the device, and the root port sets SLSTS.PDS (D28:F0/F1/F2/F3/F4/F5:Offset 5Ah:bit 6) and SLSTS.PDC (D28:F0/F1/F2/F3:Offset 6h:bit 3). If SLCTL.PDE (D28:F0/F1/F2/F3F4/F5:Offset 58h:bit 3) and SLCTL.HPE (D28:F0/F1/F2/F3F4/F5:Offset 58h:bit 5) are both set, the root port will also generate an interrupt.

When a module is removed (via the physical layer detection), the root port clears SLSTS.PDS and sets SLSTS.PDC. If SLCTL.PDE and SLCTL.HPE are both set, the root port will also generate an interrupt.

### 5.2.4.2 Message Generation

When system software writes to SLCTL.AIC (D28:F0/F1/F2/F3F4/F5:Offset 58h:bits 7:6) or SLCTL.PIC (D28:F0/F1/F2/F3F4/F5:Offset 58h:bits 9:8), the root port will send a message down the link to change the state of LEDs on the module.

Writes to these fields are non-postable cycles, and the resulting message is a postable cycle. When receiving one of these writes, the root port performs the following:

- Changes the state in the register.
- Generates a completion into the upstream queue
- Formulates a message for the downstream port if the field is written to regardless of if the field changed.
- Generates the message on the downstream port
- When the last message of a command is transmitted, sets SLSTS.CCE (D28:F0/F1/F2/F3F4/F5:Offset 58h:bit 4) to indicate the command has completed. If SLCTL.CCE and SLCTL.HPE (D28:F0/F1/F2/F3F4/F5:Offset 58h:bit 5) are set, the root port generates an interrupt.

The command completed register (SLSTS.CC) applies only to commands issued by software to control the Attention Indicator (SLCTL.AIC), Power Indicator (SLCTL.PIC), or Power Controller (SLCTL.PCC). However, writes to other parts of the Slot Control Register would invariably end up writing to the indicators, power controller fields; Hence, any write to the Slot Control Register is considered a command and if enabled, will result in a command complete interrupt. The only exception to this rule is a write to disable the command complete interrupt which will not result in a command complete interrupt.

A single write to the Slot Control register is considered to be a single command, and hence receives a single command complete, even if the write affects more than one field in the Slot Control Register.



### 5.2.4.3 Attention Button Detection

When an attached device is ejected, an attention button could be pressed by the user. This attention button press will result in a the PCI Express message "Attention\_Button\_Pressed" from the device. Upon receiving this message, the root port will set SLSTS.ABP (D28:F0/F1/F2/F3F4/F5: Offset 5Ah: bit 0).

If SLCTL.ABE (D28:F0/F1/F2/F3F4/F5: Offset 58h: bit 0) and SLCTL.HPE (D28:F0/F1/F2/F3F4/F5: Offset 58h: bit 5) are set, the Hot-Plug controller will also generate an interrupt. The interrupt is generated on an edge-event. For example, if SLSTS.ABP is already set, a new interrupt will not be generated.

### 5.2.4.4 SMI/SCI Generation

Interrupts for Hot-Plug events are not supported on legacy operating systems. To support Hot-Plug on non-PCI Express aware operating systems, Hot-Plug events can be routed to generate SCI. To generate SCI, MPC.HPCE (D28:F0/F1/F2/F3F4/F5: Offset D8h: bit 30) must be set. When set, enabled Hot-Plug events will cause SMSCS.HPCS (D28:F0/F1/F2/F3F4/F5: Offset DCh: bit 30) to be set.

Additionally, BIOS workarounds for Hot-Plug can be supported by setting MPC.HPME (D28:F0/F1/F2/F3F4/F5: Offset D8h: bit 1). When this bit is set, Hot-Plug events can cause SMI status bits in SMSCS to be set. Supported Hot-Plug events and their corresponding SMSCS bit are:

- Command Completed - SCSCS.HPCCM (D28:F0/F1/F2/F3/F4/F5: Offset DCh: bit 3)
- Presence Detect Changed - SMSCS.HPPDM (D28:F0/F1/F2/F3/F4/F5: Offset DCh: bit 1)
- Attention Button Pressed - SMSCS.HPABM (D28:F0/F1/F2/F3/F4/F5: Offset DCh: bit 2)
- Link Active State Changed - SMSCS.HPLAS (D28:F0/F1/F2/F3/F4/F5: Offset DCh: bit 4)

When any of these bits are set, SMI # will be generated. These bits are set regardless of whether interrupts or SCI is enabled for Hot-Plug events. The SMI# may occur concurrently with an interrupt or SCI.



## 5.3 LAN Controller (B1:D8:F0) (Desktop and Mobile Only)

The ICH7's integrated LAN controller includes a 32-bit PCI controller that provides enhanced scatter-gather bus mastering capabilities and enables the LAN controller to perform high-speed data transfers over the PCI bus. Its bus master capabilities enable the component to process high level commands and perform multiple operations; this lowers processor utilization by off-loading communication tasks from the processor. Two large transmit and receive FIFOs of 3 KB each, help prevent data underruns and overruns while waiting for bus accesses. This enables the integrated LAN controller to transmit data with minimum interframe spacing (IFS).

The ICH7 integrated LAN controller can operate in either full-duplex or half-duplex mode. In full- duplex mode the LAN controller adheres with the *IEEE 802.3x Flow Control Specification*. Half duplex performance is enhanced by a proprietary collision reduction mechanism.

The integrated LAN controller also includes an interface to a serial (4-pin) EEPROM. The EEPROM provides power-on initialization for hardware and software configuration parameters.

From a software perspective, the integrated LAN controller appears to reside on the secondary side of the ICH7's virtual PCI-to-PCI bridge (see [Section 5.1.6](#)). This is typically Bus 1, but may be assigned a different number, depending upon system configuration.

The following summarizes the ICH7 LAN controller features:

- Compliance with Advanced Configuration and Power Interface and PCI Power Management standards
- Support for wake-up on interesting packets and link status change
- Support for remote power-up using Wake on LAN\* (WOL) technology
- Deep power-down mode support
- Backward compatible software with 82550, 82557, 82558 and 82559
- TCP/UDP checksum off load capabilities
- Support for Intel's Adaptive Technology

### 5.3.1 LAN Controller PCI Bus Interface

As a Fast Ethernet controller, the role of the ICH7 integrated LAN controller is to access transmitted data or deposit received data. The LAN controller, as a bus master device, initiates memory cycles via the PCI bus to fetch or deposit the required data.

To perform these actions, the LAN controller is controlled and examined by the processor via its control and status structures and registers. Some of these control and status structures reside in the LAN controller and some reside in system memory. For access to the LAN controller's Control/Status Registers (CSR), the LAN controller acts as a slave (in other words, a target device). The LAN controller serves as a slave also while the processor accesses the EEPROM.



### 5.3.1.1 Bus Slave Operation

The ICH7 integrated LAN controller serves as a target device in one of the following cases:

- Processor accesses to the LAN controller System Control Block (SCB) Control/Status Registers (CSR)
- Processor accesses to the EEPROM through its CSR
- Processor accesses to the LAN controller PORT address via the CSR
- Processor accesses to the MDI control register in the CSR

The size of the CSR memory space is 4 Kbyte in the memory space and 64 bytes in the I/O space. The LAN controller treats accesses to these memory spaces differently.

#### Control/Status Register (CSR) Accesses

The integrated LAN controller supports zero wait-state single cycle memory or I/O mapped accesses to its CSR space. Separate BARs request 4 KB of memory space and 64 bytes of I/O space to accomplish this. Based on its needs, the software driver uses either memory or I/O mapping to access these registers. The LAN controller provides four valid KB of CSR space that include the following elements:

- System Control Block (SCB) registers
- PORT register
- EEPROM control register
- MDI control register
- Flow control registers

In the case of accessing the Control/Status Registers, the processor is the initiator and the LAN controller is the target.

#### Retry Premature Accesses

The LAN controller responds with a Retry to any configuration cycle accessing the LAN controller before the completion of the automatic read of the EEPROM. The LAN controller may continue to Retry any configuration accesses until the EEPROM read is complete. The LAN controller does not enforce the rule that the retried master must attempt to access the same address again in order to complete any delayed transaction. Any master access to the LAN controller after the completion of the EEPROM read is honored.

#### Error Handling

**Data Parity Errors:** The LAN controller checks for data parity errors while it is the target of the transaction. If an error was detected, the LAN controller sets the Detected Parity Error bit in the PCI Configuration Status register, bit 15. The LAN controller also asserts PERR#, if the Parity Error Response bit is set (PCI Configuration Command register, bit 6). The LAN controller does not attempt to terminate a cycle in which a parity error was detected. This gives the initiator the option of recovery.

**Target-Disconnect:** The LAN controller prematurely terminate a cycle in the following cases:

- After accesses to its CSR
- After accesses to the configuration space

**System Error:** The LAN controller reports parity error during the address phase using the SERR# pin. If the SERR# Enable bit in the PCI Configuration Command register or the Parity Error Response bit are not set, the LAN controller only sets the Detected Parity Error bit (PCI Configuration Status register, bit 15). If SERR# Enable and Parity Error Response bits are both set, the LAN controller sets the Signaled System Error bit (PCI Configuration Status register, bit 14) as well as the Detected Parity Error bit and asserts SERR# for one clock.

The LAN controller, when detecting system error, claims the cycle if it was the target of the transaction and continues the transaction as if the address was correct.

**Note:** The LAN controller reports a system error for any error during an address phase, whether or not it is involved in the current transaction.

### 5.3.1.2 CLKRUN# Signal (Mobile Only)

The Intel® ICH7 receives a free-running 33 MHz clock. It does not stop based on the CLKRUN# signal and protocol. When the LAN controller runs cycles on the PCI bus, the ICH7 makes sure that the STP\_PCI# signal is high indicating that the PCI clock will be running. This is to make sure that any PCI tracker does not get confused by transactions on the PCI bus with its PCI clock stopped.

### 5.3.1.3 PCI Power Management

Enhanced support for the power management standard, *PCI Local Bus Specification, Revision 2.3*, is provided in the ICH7 integrated LAN controller. The LAN controller supports a large set of wake-up packets and the capability to wake the system from a low power state on a link status change. The LAN controller enables the host system to be in a sleep state and remain virtually connected to the network.

After a power management event or link status change is detected, the LAN controller wakes the host system. The following sections describe these events, the LAN controller power states, and estimated power consumption at each power state.

The LAN controller contains power management registers for PCI, and implements four power states, D0 through D3, which vary from maximum power consumption at D0 to the minimum power consumption at D3. PCI transactions are only allowed in the D0 state, except for host accesses to the LAN controller's PCI configuration registers. The D1 and D2 power management states enable intermediate power savings while providing the system wake-up capabilities. In the D3<sub>COLD</sub> state, the LAN controller can provide wake-up capabilities. Wake-up indications from the LAN controller are provided by the Power Management Event (PME#) signal.

### 5.3.1.4 PCI Reset Signal

The PCIRST# signal may be activated in one of the following cases:

- During S3–S5 states
- Due to a CF9h reset

If PME is enabled (in the PCI power management registers), PCIRST# assertion does not affect any PME related circuits (in other words, PCI power management registers and the wake-up packet would not be affected). While PCIRST# is active, the LAN controller ignores other PCI signals. The configuration of the LAN controller registers associated with ACPI wake events is not affected by PCIRST#.

The integrated LAN controller uses the PCIRST# or the PWROK signal as an indication to ignore the PCI interface. Following the deassertion of PCIRST#, the LAN controller PCI Configuration Space, MAC configuration, and memory structure are initialized while preserving the PME# signal and its context.



### 5.3.1.5 Wake-Up Events

There are two types of wake-up events: “Interesting” Packets and Link Status Change. These two events are detailed below.

**Note:** If the Wake on LAN bit in the EEPROM is not set, wake-up events are supported only if the PME Enable bit in the Power Management Control/Status Register (PMCSR) is set. However, if the Wake on LAN bit in the EEPROM is set, and Wake on Magic Packet\* or Wake on Link Status Change are enabled, the Power Management Enable bit is ignored with respect to these events. In the latter case, PME# would be asserted by these events.

#### “Interesting” Packet Event

In the power-down state, the LAN controller is capable of recognizing “interesting” packets. The LAN controller supports predefined and programmable packets that can be defined as any of the following:

- ARP Packets (with Multiple IP addresses)
- Direct Packets (with or without type qualification)
- Magic Packet
- Neighbor Discovery Multicast Address Packet (‘ARP’ in IPv6 environment)
- NetBIOS over TCP/IP (NBT) Query Packet (under IPv4)
- Internetwork Package Exchange\* (IPX) Diagnostic Packet

This allows the LAN controller to handle various packet types. In general, the LAN controller supports programmable filtering of any packet in the first 128 bytes.

When the LAN controller is in one of the low power states, it searches for a predefined pattern in the first 128 bytes of the incoming packets. The only exception is the Magic Packet, which is scanned for the entire frame. The LAN controller classifies the incoming packets as one of the following categories:

- **No Match:** The LAN controller discards the packet and continues to process the incoming packets.
- **TCO Packet:** The LAN controller implements perfect filtering of TCO packets. After a TCO packet is processed, the LAN controller is ready for the next incoming packet. TCO packets are treated as any other wake-up packet and may assert the PME# signal if configured to do so.
- **Wake-up Packet:** The LAN controller is capable of recognizing and storing the first 128 bytes of a wake-up packet. If a wake-up packet is larger than 128 bytes, its tail is discarded by the LAN controller. After the system is fully powered-up, software has the ability to determine the cause of the wake-up event via the PMDR and dump the stored data to the host memory.

Magic Packets are an exception. The Magic Packets may cause a power management event and set an indication bit in the PMDR; however, it is not stored by the LAN controller for use by the system when it is woken up.

#### Link Status Change Event

The LAN controller link status indication circuit is capable of issuing a PME on a link status change from a valid link to an invalid link condition or vice versa. The LAN controller reports a PME link status event in all power states. If the Wake on LAN bit in the EEPROM is not set, the PME# signal is gated by the PME Enable bit in the PMCSR and the CSMA Configure command.

### 5.3.1.6 Wake on LAN\* (Preboot Wake-Up)

The LAN controller enters Wake on LAN mode after reset if the Wake on LAN bit in the EEPROM is set. At this point, the LAN controller is in the D0u state. When the LAN controller is in Wake on LAN mode:

- The LAN controller scans incoming packets for a Magic Packet and asserts the PME# signal for 52 ms when a 1 is detected in Wake on LAN mode.
- The Activity LED changes its functionality to indicate that the received frame passed Individual Address (IA) filtering or broadcast filtering.
- The PCI Configuration registers are accessible to the host.

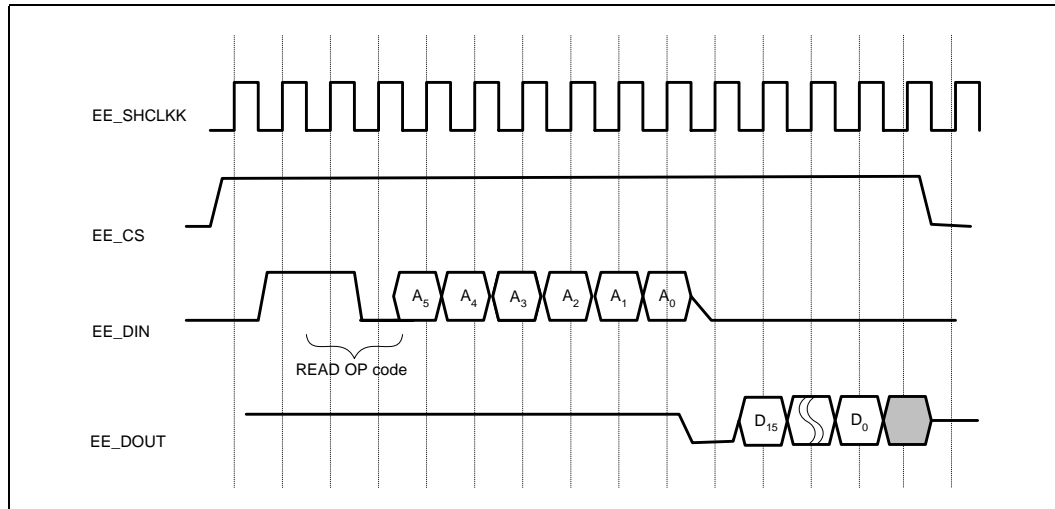
The LAN controller switches from Wake on LAN mode to the D0a power state following a setup of the Memory or I/O Base Address Registers in the PCI configuration space.

### 5.3.2 Serial EEPROM Interface

The serial EEPROM stores configuration data for the ICH7 integrated LAN controller and is a serial in/serial out device. The LAN controller supports a 64-register or 256-register size EEPROM and automatically detects the EEPROM's size. The EEPROM should operate at a frequency of at least 1 MHz.

All accesses, either read or write, are preceded by a command instruction to the device. The address field is six bits for a 64-register EEPROM or eight bits for a 256-register EEPROM. The end of the address field is indicated by a dummy 0 bit from the EEPROM that indicates the entire address field has been transferred to the device. An EEPROM read instruction waveform is shown in Figure 5-2.

Figure 5-2. 64-Word EEPROM Read Instruction Waveform



The LAN controller performs an automatic read of seven words (0h, 1h, 2h, Ah, Bh, Ch, and Dh) of the EEPROM after the deassertion of Reset.





### 5.3.3 CSMA/CD Unit

The ICH7 integrated LAN controller CSMA/CD unit implements both the IEEE 802.3 Ethernet 10 Mbps and IEEE 802.3u Fast Ethernet 100 Mbps standards. It performs all the CSMA/CD protocol functions (e.g., transmission, reception, collision handling, etc.). The LAN controller CSMA/CD unit interfaces to the 82562ET/EM/EZ/EX 10/100 Mbps Ethernet through the ICH7's LAN Connect interface signals.

#### 5.3.3.1 Full Duplex

When operating in full-duplex mode, the LAN controller can transmit and receive frames simultaneously. Transmission starts regardless of the state of the internal receive path. Reception starts when the platform LAN Connect component detects a valid frame on its receive differential pair. The ICH7 integrated LAN controller also supports the IEEE 802.3x flow control standard, when in full-duplex mode.

The LAN controller operates in either half-duplex mode or full-duplex mode. For proper operation, both the LAN controller CSMA/CD module and the discrete platform LAN Connect component must be set to the same duplex mode. The CSMA duplex mode is set by the LAN Controller Configure command or forced by automatically tracking the mode in the platform LAN Connect component. Following reset, the CSMA defaults to automatically track the platform LAN Connect component duplex mode.

The selection of duplex operation (full or half) and flow control is done in two levels: MAC and LAN Connect.

#### 5.3.3.2 Flow Control

The LAN controller supports IEEE 802.3x frame-based flow control frames only in both full duplex and half duplex switched environments. The LAN controller flow control feature is not intended to be used in shared media environments.

Flow control is optional in full-duplex mode and is selected through software configuration. There are three modes of flow control that can be selected: frame-based transmit flow control, frame-based receive flow control, and none.

#### 5.3.3.3 VLAN Support

The LAN controller supports the IEEE 802.1 standard VLAN. All VLAN flows will be implemented by software. The LAN controller supports the reception of long frames, specifically frames longer than 1518 bytes, including the CRC, if software sets the Long Receive OK bit in the Configuration command. Otherwise, "long" frames are discarded.

### 5.3.4 Media Management Interface

The management interface allows the processor to control the platform LAN Connect component via a control register in the ICH7 integrated LAN controller. This allows the software driver to place the platform LAN Connect in specific modes (e.g., full duplex, loopback, power down, etc.) without the need for specific hardware pins to select the desired mode. This structure allows the LAN controller to query the platform LAN Connect component for status of the link. This register is the MDI Control Register and resides at offset 10h in the LAN controller CSR. The MDI registers reside within the platform LAN Connect component, and are described in detail in the platform LAN Connect component's datasheet. The processor writes commands to this register and the LAN controller reads or writes the control/status parameters to the platform LAN Connect component through the MDI register.



### 5.3.5 TCO Functionality

The ICH7 integrated LAN controller supports management communication to reduce Total Cost of Ownership (TCO). The SMBus is used as an interface between the ASF controller and the integrated TCO host controller. There are two different types of TCO operation that are supported (only one supported at a time), they are 1) Integrated ASF Control or 2) external TCO controller support. The SMLink is a dedicated bus between the LAN controller and the integrated ASF controller (if enabled) or an external management controller. An EEPROM of 256 words is required to support the heartbeat command.

#### 5.3.5.1 Advanced TCO Mode

The Advanced TCO functionalities through the SMLink are listed in [Table 5-4](#).

**Table 5-4. Advanced TCO Functionality**

Power State	TCO Controller Functionality
D0 nominal	Transmit Set Receive TCO Packets Receive TCO Packets Read Intel® ICH7 status (PM & Link state) Force TCO Mode
Dx (x>0)	D0 functionality plus: Read PHY registers
Force TCO Mode	Dx functionality plus: Configuration commands Read/Write PHY registers

**Note:** For a complete description on various commands, see the *Total Cost of Ownership (TCO) System Management Bus Interface Application Note (AP-430)*.

#### Transmit Command during Normal Operation

To serve a transmit request from the TCO controller, the ICH7 LAN controller first completes the current transmit DMA, sets the TCO request bit in the PMDR register (see [Section 8.2](#)), and then responds to the TCO controller's transmit request. Following the completion of the TCO transmit DMA, the LAN controller increments the Transmit TCO statistic counter (described in [Section 8.2.14](#)). Following the completion of the transmit operation, the ICH7 increments the nominal transmit statistic counters, clears the TCO request bit in the PMDR register, and resumes its normal transmit flow. The receive flow is not affected during this entire period of time.

#### Receive TCO

The ICH7 LAN controller supports receive flow towards the TCO controller. The ICH7 can transfer only TCO packets, or all packets that passed MAC address filtering according to its configuration and mode of operation as detailed below. While configured to transfer only TCO packets, it supports Ethernet type II packets with optional VLAN tagging.

**Force TCO Mode:** While the ICH7 is in the force TCO mode, it may receive packets (TCO or all) directly from the TCO controller. Receiving TCO packets and filtering level is controlled by the set Receive enable command from the TCO controller. Following a reception of a TCO packet, the ICH7 increments its nominal Receive statistic counters as well as the Receive TCO counter.



**Dx>0 Power State:** While the ICH7 is in a powerdown state, it may receive TCO packets or all directly to the TCO controller. Receiving TCO packets is enabled by the set Receive enable command from the TCO controller. Although TCO packet might match one of the other wake up filters, once it is transferred to the TCO controller, no further matching is searched for and PME is not issued. While receive to TCO is not enabled, a TCO packet may cause a PME if configured to do so (setting TCO to 1 in the filter type).

**D0 Power State:** At D0 power state, the ICH7 may transfer TCO packets to the TCO controller. At this state, TCO packets are posted first to the host memory, then read by the ICH7, and then posted back to the TCO controller. After the packet is posted to TCO, the receive memory structure (that is occupied by the TCO packet) is reclaimed. Other than providing the necessary receive resources, there is no required device driver intervention with this process. Eventually, the ICH7 increments the receive TCO static counter, clears the TCO request bit, and resumes normal control.

### Read Intel® ICH7 Status (PM and Link State)

The TCO controller is capable of reading the ICH7 power state and link status. Following a status change, the ICH7 asserts LINKALERT# and then the TCO can read its new power state.

### Set Force TCO Mode

The TCO controller put the ICH7 into the Force TCO mode. The ICH7 is set back to the nominal operation following a PCIRST#. Following the transition from nominal mode to a TCO mode, the ICH7 aborts transmission and reception and loses its memory structures. The TCO may configure the ICH7 before it starts transmission and reception if required.

**Warning:** The Force TCO is a destructive command. It causes the ICH7 to lose its memory structures, and during the Force TCO mode the ICH7 ignores any PCI accesses. Therefore, it is highly recommended to use this command by the TCO controller at system emergency only.

## 5.4 Alert Standard Format (ASF) (Desktop and Mobile Only)

The ASF controller collects information from various components in the system (including the processor, chipset, BIOS, and sensors on the motherboard) and sends this information via the LAN controller to a remote server running a management console. The controller also accepts commands back from the management console and drives the execution of those commands on the local system.

The ASF controller is responsible for monitoring sensor devices and sending packets through the LAN controller SMBus (System Management Bus) interface. These ASF controller alerting capabilities include system health information such as BIOS messages, POST alerts, operating system failure notifications, and heartbeat signals to indicate the system is accessible to the server. Also included are environmental notification (e.g., thermal, voltage and fan alerts) that send proactive warnings that something is wrong with the hardware. The packets are used as Alert (S.O.S.) packets or as "heartbeat" status packets. In addition, asset security is provided by messages (e.g., "cover tamper" and "CPU missing") that notify of potential system break-ins and processor or memory theft.

The ASF controller is also responsible for receiving and responding to RMCP (Remote Management and Control Protocol) packets. RMCP packets are used to perform various system APM commands (e.g., reset, power-up, power-cycle, and power-down). RMCP can also be used to ping the system to ensure that it is on the network and running



correctly and for capability reporting. A major advantage of ASF is that it provides these services during the time that software is unable to do so (e.g., during a low-power state, during boot-up, or during an operating system hang) but are not precluded from running in the working state.

The ASF controller communicates to the system and the LAN controller logic through the SMBus connections. The first SMBus connects to the host SMBus controller (within the ICH7) and any SMBus platform sensors. The SMBus host is accessible by the system software, including software running on the operating system and the BIOS. Note that the host side bus may require isolation if there are non-auxiliary devices that can pull down the bus when un-powered. The second SMBus connects to the LAN controller. This second SMBus is used to provide a transmit/receive network interface.

The stimulus for causing the ASF controller to send packets can be either internal or external to the ASF controller. External stimuli are link status changes or polling data from SMBus sensor devices; internal events come from, among others, a set of timers or an event caused by software.

The ASF controller provides three local configuration protocols via the host SMBus. The first one is the SMBus ARP interface that is used to identify the SMBus device and allow dynamic SMBus address assignment. The second protocol is the ASF controller command set that allows software to manage an ASF controller compliant interface for retrieving info, sending alerts, and controlling timers.

ICH7 provides an input and an output EEPROM interface. The EEPROM contains the LAN controller configuration and the ASF controller configuration/packet information.

### 5.4.1 ASF Management Solution Features/Capabilities

- Alerting
  - Transmit SOS packets from S0–S5 states
  - System Health Heartbeats
  - SOS Hardware Events
    - System Boot Failure (Watchdog Expires on boot)
    - LAN Link Loss
    - Entity Presence (on ASF power-up)
    - SMBus Hung
    - Maximum of eight Legacy Sensors
    - Maximum of 128 ASF Sensor events
  - Watchdog Timer for operating system lockup/System Hang/Failure to Boot
  - General Push support for BIOS (POST messages)
- Remote Control
  - Presence Ping Response
  - Configurable Boot Options
  - Capabilities Reporting
  - Auto-ARP Support
  - System Remote Control
    - Power-Down
    - Power-Up
    - Power Cycle
    - System Reset
  - State-Based Security – Conditional Action on WatchDog Expire



- ASF Compliance
  - Compliant with the *Alert Standard Format (ASF) Specification, Version 1.03*
    - PET Compliant Packets
    - RMCP
    - Legacy Sensor Polling
    - ASF Sensor Polling
    - Remote Control Sensor Support
- Advanced Features / Miscellaneous
  - SMBus 2.0 compliant
  - Optional reset extension logic (for use with a power-on reset)

## 5.4.2 ASF Hardware Support

ASF requires additional hardware to make a complete solution.

**Note:** If an ASF compatible device is externally connected and properly configured, the internal ICH7 ASF controller will be disabled. The external ASF device will have access to the SMBus controller.

### 5.4.2.1 Intel® 82562EM/EX

The 82562EM/EX Ethernet LAN controller is necessary. This LAN controller provides the means of transmitting and receiving data on the network, as well as adding the Ethernet CRC to the data from the ASF.

### 5.4.2.2 EEPROM (256x16, 1 MHz)

To support the ICH7 ASF solution, a larger, 256x16 1 MHz, EEPROM is necessary to configure defaults on reset and on hard power losses (software un-initiated). The ASF controller shares this EEPROM with the LAN controller and provides a pass through interface to achieve this. The ASF controller expects to have exclusive access to words 40h through F7h. The LAN controller can use the other EEPROM words. The ASF controller will default to safe defaults if the EEPROM is not present or not configured properly (both cause an invalid CRC).

### 5.4.2.3 Legacy Sensor SMBus Devices

The ASF controller is capable of monitoring up to eight sensor devices on the main SMBus. These sensors are expected to be compliant with the Legacy Sensor Characteristics defined in the *Alert Standard Format (ASF) Specification, Version 1.03*.

### 5.4.2.4 Remote Control SMBus Devices

The ASF controller is capable of causing remote control actions to Remote Control devices via SMBus. These remote control actions include Power-Up, Power-Down, Power-Cycle, and Reset. The ASF controller supports devices that conform to the *Alert Standard Format (ASF) Specification, Version 1.03, Remote Control Devices*.

### 5.4.2.5 ASF Sensor SMBus Devices

The ASF controller is capable of monitoring up to 128 ASF sensor devices on the main SMBus. However, ASF is restricted by the number of total events which may reduce the number of SMBus devices supported. The maximum number of events supported by ASF is 128. The ASF sensors are expected to operate as defined in the *Alert Standard Format (ASF) Specification, Version 1.03*.

### 5.4.3 ASF Software Support

ASF requires software support to make a complete solution. The following software is used as part of the complete solution.

- ASF Configuration driver / application
- Network Driver
- BIOS Support for SMBIOS, SMBus ARP, ACPI
- Sensor Configuration driver / application

**Note:** Contact your Intel Field Representative for the Client ASF Software Development Kit (SDK) that includes additional documentation and a copy of the client ASF software drivers. Intel also provides an ASF Console SDK to add ASF support to a management console.

## 5.5 LPC Bridge (w/ System and Management Functions) (D31:F0)

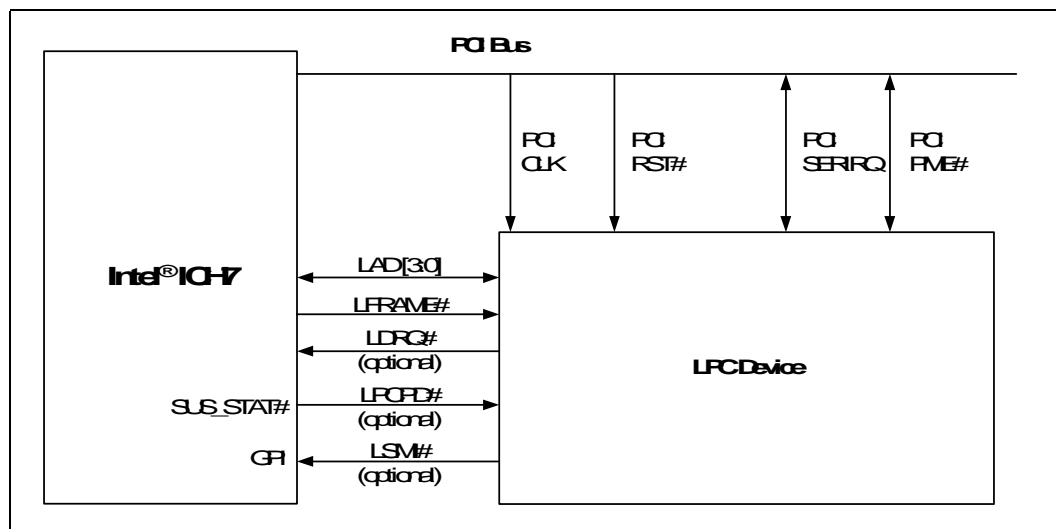
**Note:** LPC DMA is not supported on the Ultra Mobile component (ICH7-U).

The LPC bridge function of the ICH7 resides in PCI Device 31:Function 0. In addition to the LPC bridge function, D31:F0 contains other functional units including DMA (Desktop and Mobile only), Interrupt controllers, Timers, Power Management, System Management, GPIO, and RTC. In this chapter, registers and functions associated with other functional units (power management, GPIO, USB, IDE, etc.) are described in their respective sections.

### 5.5.1 LPC Interface

The ICH7 implements an LPC interface as described in the *Low Pin Count Interface Specification*, Revision 1.1. The LPC interface to the ICH7 is shown in Figure 5-3. Note that the ICH7 implements all of the signals that are shown as optional, but peripherals are not required to do so.

Figure 5-3. LPC Interface Diagram





### 5.5.1.1 LPC Cycle Types

The ICH7 implements the following cycle types as described in Table 5-5

**Table 5-5. LPC Cycle Types Supported**

Cycle Type	Comment
I/O Read	1 byte only. Intel® ICH7 breaks up 16- and 32-bit processor cycles into multiple 8-bit transfers.
I/O Write	1 byte only. ICH7 breaks up 16- and 32-bit processor cycles into multiple 8-bit transfers.
DMA Read (Desktop and Mobile Only)	Can be 1, or 2 bytes
DMA Write (Desktop and Mobile Only)	Can be 1, or 2 bytes
Bus Master Read	Can be 1, 2, or 4 bytes. (See Note 1 below)
Bus Master Write	Can be 1, 2, or 4 bytes. (See Note 1 below)

**NOTES:**

1. Bus Master Read or Write cycles must be naturally aligned. For example, a 1-byte transfer can be to any address. However, the 2-byte transfer must be word-aligned (i.e., with an address where A0=0). A dword transfer must be dword-aligned (i.e., with an address where A1 and A0 are both 0)

### 5.5.1.2 Start Field Definition

**Table 5-6. Start Field Bit Definitions**

Bits[3:0] Encoding	Definition
0000	Start of cycle for a generic target
0010	Grant for bus master 0
0011	Grant for bus master 1
1111	Stop/Abort: End of a cycle for a target.

**NOTE:** All other encodings are RESERVED.



### 5.5.1.3 Cycle Type / Direction (CYCTYPE + DIR)

The ICH7 drives bit 0 of this field to 0. Peripherals running bus master cycles must also drive bit 0 to 0. [Table 5-7](#) shows the valid bit encodings.

**Table 5-7. Cycle Type Bit Definitions**

Bits[3:2]	Bit1	Definition
00	0	I/O Read
00	1	I/O Write
10	0	Desktop and Mobile: DMA Read Ultra Mobile: Reserved
10	1	Desktop and Mobile: DMA Write Ultra Mobile: Reserved
11	x	Reserved. If a peripheral performing a bus master cycle generates this value, the Intel® ICH7 aborts the cycle.

**NOTE:** All other encodings are RESERVED.

### 5.5.1.4 SIZE

Bits[3:2] are reserved. The ICH7 drives them to 00. Peripherals running bus master cycles are also supposed to drive 00 for bits 3:2; however, the ICH7 ignores those bits. Bits[1:0] are encoded as listed in [Table 5-8](#).

**Table 5-8. Transfer Size Bit Definition**

Bits[1:0]	Size
00	8-bit transfer (1 byte)
01	16-bit transfer (2 bytes)
10	Reserved. The Intel® ICH7 does not drive this combination. If a peripheral running a bus master cycle drives this combination, the ICH7 may abort the transfer.
11	32-bit transfer (4 bytes)





### 5.5.1.5 SYNC

Valid values for the SYNC field are shown in Table 5-9.

**Table 5-9. SYNC Bit Definition**

Bits[3:0] <sup>1,2</sup>	Indication
0000	<b>Ready:</b> SYNC achieved with no error. For DMA transfers on desktop and mobile components, this also indicates DMA request deassertion and no more transfers desired for that channel.
0101	<b>Short Wait:</b> Part indicating wait-states. For bus master cycles, the Intel® ICH7 does not use this encoding. Instead, the ICH7 uses the Long Wait encoding (see next encoding below).
0110	<b>Long Wait:</b> Part indicating wait-states, and many wait-states will be added. This encoding driven by the ICH7 for bus master cycles, rather than the Short Wait (0101).
1001	<b>Ready More (Used only by peripheral for DMA cycle):</b> SYNC achieved with no error and more DMA transfers desired to continue after this transfer. This value is valid only on DMA transfers and is not allowed for any other type of cycle. Ultra Mobile: Reserved
1010	<b>Error:</b> Sync achieved with error. This is generally used to replace the SERR# or IOCHK# signal on the PCI/ISA bus. It indicates that the data is to be transferred, but there is a serious error in this transfer. For DMA transfers on desktop and mobile components, this not only indicates an error, but also indicates DMA request deassertion and no more transfers desired for that channel.

**NOTES:**

1. All other combinations are RESERVED.
2. If the LPC controller receives any SYNC returned from the device other than short (0101), long wait (0110), or ready (0000) when running a FWH cycle, indeterminate results may occur. A FWH device is not allowed to assert an Error SYNC.

### 5.5.1.6 SYNC Time-Out

There are several error cases that can occur on the LPC interface. The ICH7 responds as defined in section 4.2.1.9 of the *Low Pin Count Interface Specification*, Revision 1.1 to the stimuli described therein. There may be other peripheral failure conditions; however, these are not handled by the ICH7.

### 5.5.1.7 SYNC Error Indication

The ICH7 responds as defined in section 4.2.1.10 of the *Low Pin Count Interface Specification*, Revision 1.1.

Upon recognizing the SYNC field indicating an error, the ICH7 treats this as an SERR by reporting this into the Device 31 Error Reporting Logic.

### 5.5.1.8 LFRAME# Usage

The ICH7 follows the usage of LFRAME# as defined in the *Low Pin Count Interface Specification*, Revision 1.1.

The ICH7 performs an abort for the following cases (possible failure cases):

- ICH7 starts a Memory, I/O, or DMA cycle, but no device drives a valid SYNC after four consecutive clocks.
- ICH7 starts a Memory, I/O, or DMA cycle, and the peripheral drives an invalid SYNC pattern.
- A peripheral drives an invalid address when performing bus master cycles.
- A peripheral drives an invalid value.

### 5.5.1.9 I/O Cycles

For I/O cycles targeting registers specified in the ICH7's decode ranges, the ICH7 performs I/O cycles as defined in the *Low Pin Count Interface Specification*, Revision 1.1. These are 8-bit transfers. If the processor attempts a 16-bit or 32-bit transfer, the ICH7 breaks the cycle up into multiple 8-bit transfers to consecutive I/O addresses.

**Note:** If the cycle is not claimed by any peripheral (and subsequently aborted), the ICH7 returns a value of all 1s (FFh) to the processor. This is to maintain compatibility with ISA I/O cycles where pull-up resistors would keep the bus high if no device responds.

### 5.5.1.10 Bus Master Cycles

The ICH7 supports Bus Master cycles and requests (using LDRQ#) as defined in the *Low Pin Count Interface Specification*, Revision 1.1. The ICH7 has two LDRQ# inputs, and thus supports two separate bus master devices. It uses the associated START fields for Bus Master 0 (0010b) or Bus Master 1 (0011b).

**Note:** The ICH7 does not support LPC Bus Masters performing I/O cycles. LPC Bus Masters should only perform memory read or memory write cycles.

### 5.5.1.11 LPC Power Management

#### CLKRUN# Protocol (Mobile/Ultra Mobile Only)

The CLKRUN# protocol is same as in the *PCI Local Bus Specification*. Stopping the PCI clock stops the LPC clock.

#### LPCPD# Protocol

Same timings as for SUS\_STAT#. Upon driving SUS\_STAT# low, LPC peripherals drive LDRQ# low or tri-state it. ICH7 shuts off the LDRQ# input buffers. After driving SUS\_STAT# active, the ICH7 drives LFRAME# low, and tri-states (or drive low) LAD[3:0].

**Note:** The *Low Pin Count Interface Specification*, Revision 1.1 defines the LPCPD# protocol where there is at least 30  $\mu$ s from LPCPD# assertion to LRST# assertion. This specification explicitly states that this protocol only applies to entry/exit of low power states which does not include asynchronous reset events. The ICH7 asserts both SUS\_STAT# (connects to LPCPD#) and PLTRST# (connects to LRST#) at the same time when the core logic is reset (via CF9h, PWROK, or SYS\_RESET#, etc.). This is not inconsistent with the LPC LPCPD# protocol.



### 5.5.1.12 Configuration and Intel® ICH7 Implications

#### LPC Interface Decoders

To allow the I/O cycles and memory mapped cycles to go to the LPC interface, the ICH7 includes several decoders. During configuration, the ICH7 must be programmed with the same decode ranges as the peripheral. The decoders are programmed via the Device 31:Function 0 configuration space.

**Note:** The ICH7 cannot accept PCI write cycles from PCI-to-PCI bridges or devices with similar characteristics (specifically those with a “Retry Read” feature which is enabled) to an LPC device if there is an outstanding LPC read cycle towards the same PCI device or bridge. These cycles are not part of normal system operation, but may be encountered as part of platform validation testing using custom test fixtures.

#### Bus Master Device Mapping and START Fields

Bus Masters must have a unique START field. In the case of the ICH7 that supports two LPC bus masters, it drives 0010 for the START field for grants to bus master #0 (requested via LDRQ0#) and 0011 for grants to bus master #1 (requested via LDRQ1#.). Thus, no registers are needed to configure the START fields for a particular bus master.

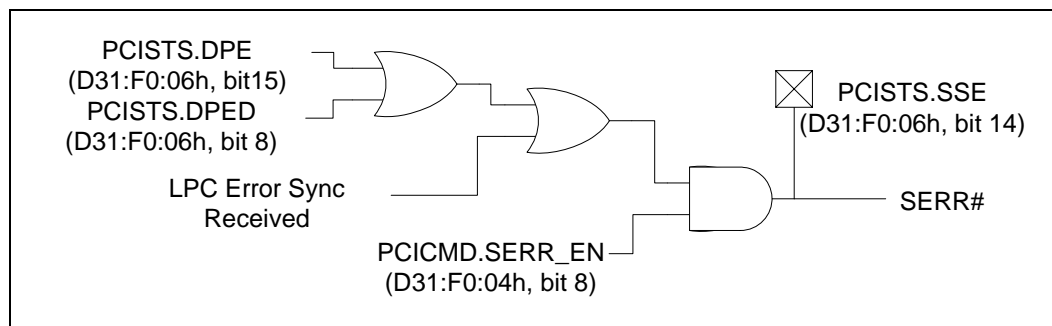
### 5.5.2 SERR# Generation

Several internal and external sources of the LPC Bridge can cause SERR#, as described below.

The first class of errors is parity errors related to the backbone. The LPC Bridge captures generic data parity errors (errors it finds on the backbone) as well as errors returned on the backbone cycles where the bridge was the master and parity error response is enabled. If either of these two conditions is met, and with SERR# enable (PCICMD.SERR\_EN) set, SERR# will be captured.

Additionally, if the LPC Bridge receives an error SYNC on LPC bus, an SERR# will also be generated.

Figure 5-4. LPC Bridge SERR# Generation



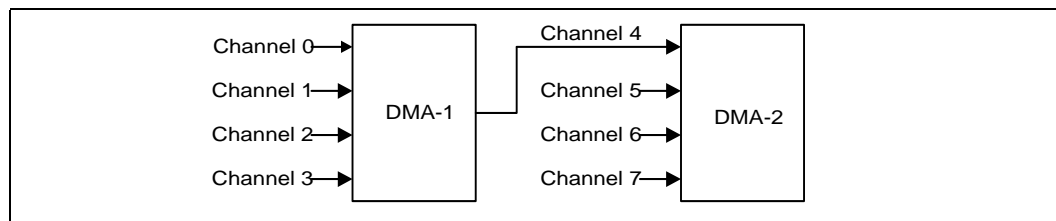
## 5.6 DMA Operation (D31:F0)

**Note:** For ICH7-U Ultra Mobile, LPC DMA is not supported.

The ICH7 supports LPC DMA using the ICH7's DMA controller. The DMA controller has registers that are fixed in the lower 64 KB of I/O space. The DMA controller is configured using registers in the PCI configuration space. These registers allow configuration of the channels for use by LPC DMA.

The DMA circuitry incorporates the functionality of two 82C37 DMA controllers with seven independently programmable channels (Figure 5-5). DMA controller 1 (DMA-1) corresponds to DMA channels 0–3 and DMA controller 2 (DMA-2) corresponds to channels 5–7. DMA channel 4 is used to cascade the two controllers and defaults to cascade mode in the DMA Channel Mode (DCM) Register. Channel 4 is not available for any other purpose. In addition to accepting requests from DMA slaves, the DMA controller also responds to requests that software initiates. Software may initiate a DMA service request by setting any bit in the DMA Channel Request Register to a 1.

Figure 5-5. Intel® ICH7 DMA Controller



Each DMA channel is hardwired to the compatible settings for DMA device size: channels [3:0] are hardwired to 8-bit, count-by-bytes transfers, and channels [7:5] are hardwired to 16-bit, count-by-words (address shifted) transfers.

ICH7 provides 24-bit addressing in compliance with the ISA-Compatible specification. Each channel includes a 16-bit ISA-Compatible Current Register which holds the 16 least-significant bits of the 24-bit address, an ISA-Compatible Page Register which contains the eight next most significant bits of address.

The DMA controller also features refresh address generation, and autoinitialization following a DMA termination.

### 5.6.1 Channel Priority

For priority resolution, the DMA consists of two logical channel groups: channels 0–3 and channels 4–7. Each group may be in either fixed or rotate mode, as determined by the DMA Command Register.

DMA I/O slaves normally assert their DREQ line to arbitrate for DMA service. However, a software request for DMA service can be presented through each channel's DMA Request Register. A software request is subject to the same prioritization as any hardware request. See the detailed register description for Request Register programming information in Section 10.2.



### 5.6.1.1 Fixed Priority

The initial fixed priority structure is as follows:

High priority	Low priority
0, 1, 2, 3	5, 6, 7

The fixed priority ordering is 0, 1, 2, 3, 5, 6, and 7. In this scheme, channel 0 has the highest priority, and channel 7 has the lowest priority. Channels [3:0] of DMA-1 assume the priority position of channel 4 in DMA-2, thus taking priority over channels 5, 6, and 7.

### 5.6.1.2 Rotating Priority

Rotation allows for “fairness” in priority resolution. The priority chain rotates so that the last channel serviced is assigned the lowest priority in the channel group (0–3, 5–7).

Channels 0–3 rotate as a group of 4. They are placed between channel 5 and channel 7 in the priority list.

Channel 5–7 rotate as part of a group of 4. That is, channels (5–7) form the first three positions in the rotation, while channel group (0–3) comprises the fourth position in the arbitration.

## 5.6.2 Address Compatibility Mode

When the DMA is operating, the addresses do not increment or decrement through the High and Low Page Registers. Therefore, if a 24-bit address is 01FFFFh and increments, the next address is 010000h, not 020000h. Similarly, if a 24-bit address is 020000h and decrements, the next address is 02FFFFh, not 01FFFFh. However, when the DMA is operating in 16-bit mode, the addresses still do not increment or decrement through the High and Low Page Registers but the page boundary is now 128 K. Therefore, if a 24-bit address is 01FFFEh and increments, the next address is 000000h, not 0100000h. Similarly, if a 24-bit address is 020000h and decrements, the next address is 03FFFEh, not 02FFFEh. This is compatible with the 82C37 and Page Register implementation used in the PC-AT. This mode is set after CPURST is valid.

## 5.6.3 Summary of DMA Transfer Sizes

Table 5-10 lists each of the DMA device transfer sizes. The column labeled “Current Byte/Word Count Register” indicates that the register contents represents either the number of bytes to transfer or the number of 16-bit words to transfer. The column labeled “Current Address Increment/Decrement” indicates the number added to or taken from the Current Address register after each DMA transfer cycle. The DMA Channel Mode Register determines if the Current Address Register will be incremented or decremented.

### 5.6.3.1 Address Shifting When Programmed for 16-Bit I/O Count by Words

Table 5-10. DMA Transfer Size

DMA Device Data Size And Word Count	Current Byte/Word Count Register	Current Address Increment/Decrement
8-Bit I/O, Count By Bytes	Bytes	1
16-Bit I/O, Count By Words (Address Shifted)	Words	1

The ICH7 maintains compatibility with the implementation of the DMA in the PC AT that used the 82C37. The DMA shifts the addresses for transfers to/from a 16-bit device count-by-words.

**Note:** The least significant bit of the Low Page Register is dropped in 16-bit shifted mode. When programming the Current Address Register (when the DMA channel is in this mode), the Current Address must be programmed to an even address with the address value shifted right by one bit.

The address shifting is shown in Table 5-11.

Table 5-11. Address Shifting in 16-Bit I/O DMA Transfers

Output Address	8-Bit I/O Programmed Address (Ch 0–3)	16-Bit I/O Programmed Address (Ch 5–7) (Shifted)
A0 A[16:1] A[23:17]	A0 A[16:1] A[23:17]	0 A[15:0] A[23:17]

**NOTE:** The least significant bit of the Page Register is dropped in 16-bit shifted mode.

### 5.6.4 Autoinitialize

By programming a bit in the DMA Channel Mode Register, a channel may be set up as an autoinitialize channel. When a channel undergoes autoinitialization, the original values of the Current Page, Current Address and Current Byte/Word Count Registers are automatically restored from the Base Page, Address, and Byte/Word Count Registers of that channel following TC. The Base Registers are loaded simultaneously with the Current Registers by the microprocessor when the DMA channel is programmed and remain unchanged throughout the DMA service. The mask bit is not set when the channel is in autoinitialize. Following autoinitialize, the channel is ready to perform another DMA service, without processor intervention, as soon as a valid DREQ is detected.

### 5.6.5 Software Commands

There are three additional special software commands that the DMA controller can execute. The three software commands are:

- Clear Byte Pointer Flip-Flop
- Master Clear
- Clear Mask Register

They do not depend on any specific bit pattern on the data bus.



## 5.7 LPC DMA (Desktop and Mobile Only)

DMA on LPC is handled through the use of the LDRQ# lines from peripherals and special encodings on LAD[3:0] from the host. Single, Demand, Verify, and Increment modes are supported on the LPC interface. Channels 0–3 are 8 bit channels. Channels 5–7 are 16-bit channels. Channel 4 is reserved as a generic bus master request.

### 5.7.1 Asserting DMA Requests

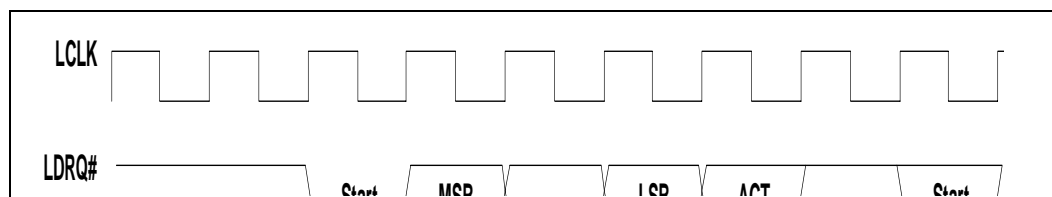
Peripherals that need DMA service encode their requested channel number on the LDRQ# signal. To simplify the protocol, each peripheral on the LPC I/F has its own dedicated LDRQ# signal (they may not be shared between two separate peripherals). The ICH7 has two LDRQ# inputs, allowing at least two devices to support DMA or bus mastering.

LDRQ# is synchronous with LCLK (PCI clock). As shown in Figure 5-6, the peripheral uses the following serial encoding sequence:

- Peripheral starts the sequence by asserting LDRQ# low (start bit). LDRQ# is high during idle conditions.
- The next three bits contain the encoded DMA channel number (MSB first).
- The next bit (ACT) indicates whether the request for the indicated DMA channel is active or inactive. The ACT bit is 1 (high) to indicate if it is active and 0 (low) if it is inactive. The case where ACT is low is rare, and is only used to indicate that a previous request for that channel is being abandoned.
- After the active/inactive indication, the LDRQ# signal must go high for at least 1 clock. After that one clock, LDRQ# signal can be brought low to the next encoding sequence.

If another DMA channel also needs to request a transfer, another sequence can be sent on LDRQ#. For example, if an encoded request is sent for channel 2, and then channel 3 needs a transfer before the cycle for channel 2 is run on the interface, the peripheral can send the encoded request for channel 3. This allows multiple DMA agents behind an I/O device to request use of the LPC interface, and the I/O device does not need to self-arbitrate before sending the message.

Figure 5-6. DMA Request Assertion through LDRQ#



### 5.7.2 Abandoning DMA Requests

DMA Requests can be deasserted in two fashions: on error conditions by sending an LDRQ# message with the 'ACT' bit set to 0, or normally through a SYNC field during the DMA transfer. This section describes boundary conditions where the DMA request needs to be removed prior to a data transfer.

There may be some special cases where the peripheral desires to abandon a DMA transfer. The most likely case of this occurring is due to a floppy disk controller which has overrun or underrun its FIFO, or software stopping a device prematurely.

In these cases, the peripheral wishes to stop further DMA activity. It may do so by sending an LDRQ# message with the ACT bit as 0. However, since the DMA request was seen by the ICH7, there is no assurance that the cycle has not been granted and will shortly run on LPC. Therefore, peripherals must take into account that a DMA cycle may still occur. The peripheral can choose not to respond to this cycle, in which case the host will abort it, or it can choose to complete the cycle normally with any random data.

This method of DMA deassertion should be prevented whenever possible, to limit boundary conditions both on the ICH7 and the peripheral.

### 5.7.3 General Flow of DMA Transfers

Arbitration for DMA channels is performed through the 8237 within the host. Once the host has won arbitration on behalf of a DMA channel assigned to LPC, it asserts LFRAME# on the LPC I/F and begins the DMA transfer. The general flow for a basic DMA transfer is as follows:

1. ICH7 starts transfer by asserting 0000b on LAD[3:0] with LFRAME# asserted.
2. ICH7 asserts 'cycle type' of DMA, direction based on DMA transfer direction.
3. ICH7 asserts channel number and, if applicable, terminal count.
4. ICH7 indicates the size of the transfer: 8 or 16 bits.
5. If a DMA read...
  - The ICH7 drives the first 8 bits of data and turns the bus around.
  - The peripheral acknowledges the data with a valid SYNC.
  - If a 16-bit transfer, the process is repeated for the next 8 bits.
6. If a DMA write...
  - The ICH7 turns the bus around and waits for data.
  - The peripheral indicates data ready through SYNC and transfers the first byte.
  - If a 16-bit transfer, the peripheral indicates data ready and transfers the next byte.
7. The peripheral turns around the bus.

### 5.7.4 Terminal Count

Terminal count is communicated through LAD[3] on the same clock that DMA channel is communicated on LAD[2:0]. This field is the CHANNEL field. Terminal count indicates the last byte of transfer, based upon the size of the transfer.

For example, on an 8-bit transfer size (SIZE field is 00b), if the TC bit is set, then this is the last byte. On a 16-bit transfer (SIZE field is 01b), if the TC bit is set, then the second byte is the last byte. The peripheral, therefore, must internalize the TC bit when the CHANNEL field is communicated, and only signal TC when the last byte of that transfer size has been transferred.

### 5.7.5 Verify Mode

Verify mode is supported on the LPC interface. A verify transfer to the peripheral is similar to a DMA write, where the peripheral is transferring data to main memory. The indication from the host is the same as a DMA write, so the peripheral will be driving data onto the LPC interface. However, the host will not transfer this data into main memory.





### 5.7.6 DMA Request Deassertion

An end of transfer is communicated to the ICH7 through a special SYNC field transmitted by the peripheral. An LPC device must not attempt to signal the end of a transfer by deasserting LDREQ#. If a DMA transfer is several bytes (e.g., a transfer from a demand mode device) the ICH7 needs to know when to deassert the DMA request based on the data currently being transferred.

The DMA agent uses a SYNC encoding on each byte of data being transferred, which indicates to the ICH7 whether this is the last byte of transfer or if more bytes are requested. To indicate the last byte of transfer, the peripheral uses a SYNC value of 0000b (ready with no error), or 1010b (ready with error). These encodings tell the ICH7 that this is the last piece of data transferred on a DMA read (ICH7 to peripheral), or the byte that follows is the last piece of data transferred on a DMA write (peripheral to ICH7).

When the ICH7 sees one of these two encodings, it ends the DMA transfer after this byte and deasserts the DMA request to the 8237. Therefore, if the ICH7 indicated a 16-bit transfer, the peripheral can end the transfer after one byte by indicating a SYNC value of 0000b or 1010b. The ICH7 does not attempt to transfer the second byte, and deasserts the DMA request internally.

If the peripheral indicates a 0000b or 1010b SYNC pattern on the last byte of the indicated size, then the ICH7 only deasserts the DMA request to the 8237 since it does not need to end the transfer.

If the peripheral wishes to keep the DMA request active, then it uses a SYNC value of 1001b (ready plus more data). This tells the 8237 that more data bytes are requested after the current byte has been transferred, so the ICH7 keeps the DMA request active to the 8237. Therefore, on an 8-bit transfer size, if the peripheral indicates a SYNC value of 1001b to the ICH7, the data will be transferred and the DMA request will remain active to the 8237. At a later time, the ICH7 will then come back with another START-CYCTYPE-CHANNEL-SIZE etc. combination to initiate another transfer to the peripheral.

The peripheral must not assume that the next START indication from the ICH7 is another grant to the peripheral if it had indicated a SYNC value of 1001b. On a single mode DMA device, the 8237 will re-arbitrate after every transfer. Only demand mode DMA devices can be ensured that they will receive the next START indication from the ICH7.

**Note:** Indicating a 0000b or 1010b encoding on the SYNC field of an odd byte of a 16-bit channel (first byte of a 16-bit transfer) is an error condition.

**Note:** The host stops the transfer on the LPC bus as indicated, fills the upper byte with random data on DMA writes (peripheral to memory), and indicates to the 8237 that the DMA transfer occurred, incrementing the 8237's address and decrementing its byte count.

### 5.7.7 SYNC Field / LDRQ# Rules

Since DMA transfers on LPC are requested through an LDRQ# assertion message, and are ended through a SYNC field during the DMA transfer, the peripheral must obey the following rule when initiating back-to-back transfers from a DMA channel.

The peripheral must not assert another message for eight LCLKs after a deassertion is indicated through the SYNC field. This is needed to allow the 8237, that typically runs off a much slower internal clock, to see a message deasserted before it is re-asserted so that it can arbitrate to the next agent.



Under default operation, the host only performs 8-bit transfers on 8-bit channels and 16-bit transfers on 16-bit channels.

The method by which this communication between host and peripheral through system BIOS is performed is beyond the scope of this specification. Since the LPC host and LPC peripheral are motherboard devices, no “plug-n-play” registry is required.

The peripheral must not assume that the host is able to perform transfer sizes that are larger than the size allowed for the DMA channel, and be willing to accept a SIZE field that is smaller than what it may currently have buffered.

To that end, it is recommended that future devices that may appear on the LPC bus, that require higher bandwidth than 8-bit or 16-bit DMA allow, do so with a bus mastering interface and not rely on the 8237.

## 5.8 8254 Timers (D31:F0)

The ICH7 contains three counters that have fixed uses. All registers and functions associated with the 8254 timers are in the core well. The 8254 unit is clocked by a 14.31818 MHz clock.

### Counter 0, System Timer

This counter functions as the system timer by controlling the state of IRQ0 and is typically programmed for Mode 3 operation. The counter produces a square wave with a period equal to the product of the counter period (838 ns) and the initial count value. The counter loads the initial count value 1 counter period after software writes the count value to the counter I/O address. The counter initially asserts IRQ0 and decrements the count value by two each counter period. The counter negates IRQ0 when the count value reaches 0. It then reloads the initial count value and again decrements the initial count value by two each counter period. The counter then asserts IRQ0 when the count value reaches 0, reloads the initial count value, and repeats the cycle, alternately asserting and negating IRQ0.

### Counter 1, Refresh Request Signal

This counter provides the refresh request signal and is typically programmed for Mode 2 operation and only impacts the period of the REF\_TOGGLE bit in Port 61. The initial count value is loaded one counter period after being written to the counter I/O address. The REF\_TOGGLE bit will have a square wave behavior (alternate between 0 and 1) and will toggle at a rate based on the value in the counter. Programming the counter to anything other than Mode 2 will result in undefined behavior for the REF\_TOGGLE bit.

### Counter 2, Speaker Tone

This counter provides the speaker tone and is typically programmed for Mode 3 operation. The counter provides a speaker frequency equal to the counter clock frequency (1.193 MHz) divided by the initial count value. The speaker must be enabled by a write to port 061h (see NMI Status and Control ports).



## 5.8.1 Timer Programming

The counter/timers are programmed in the following fashion:

1. Write a control word to select a counter.
2. Write an initial count for that counter.
3. Load the least and/or most significant bytes (as required by Control Word bits 5, 4) of the 16-bit counter.
4. Repeat with other counters.

Only two conventions need to be observed when programming the counters. First, for each counter, the control word must be written before the initial count is written. Second, the initial count must follow the count format specified in the control word (least significant byte only, most significant byte only, or least significant byte and then most significant byte).

A new initial count may be written to a counter at any time without affecting the counter's programmed mode. Counting is affected as described in the mode definitions. The new count must follow the programmed count format.

If a counter is programmed to read/write two-byte counts, the following precaution applies: A program must not transfer control between writing the first and second byte to another routine which also writes into that same counter. Otherwise, the counter will be loaded with an incorrect count.

The Control Word Register at port 43h controls the operation of all three counters. Several commands are available:

- **Control Word Command.** Specifies which counter to read or write, the operating mode, and the count format (binary or BCD).
- **Counter Latch Command.** Latches the current count so that it can be read by the system. The countdown process continues.
- **Read Back Command.** Reads the count value, programmed mode, the current state of the OUT pins, and the state of the Null Count Flag of the selected counter.

Table 5-12 lists the six operating modes for the interval counters.

**Table 5-12. Counter Operating Modes**

Mode	Function	Description
0	Out signal on end of count (=0)	Output is 0. When count goes to 0, output goes to 1 and stays at 1 until counter is reprogrammed.
1	Hardware retriggerable one-shot	Output is 0. When count goes to 0, output goes to 1 for one clock time.
2	Rate generator (divide by n counter)	Output is 1. Output goes to 0 for one clock time, then back to 1 and counter is reloaded.
3	Square wave output	Output is 1. Output goes to 0 when counter rolls over, and counter is reloaded. Output goes to 1 when counter rolls over, and counter is reloaded, etc.
4	Software triggered strobe	Output is 1. Output goes to 0 when count expires for one clock time.
5	Hardware triggered strobe	Output is 1. Output goes to 0 when count expires for one clock time.



## 5.8.2 Reading from the Interval Timer

It is often desirable to read the value of a counter without disturbing the count in progress. There are three methods for reading the counters: a simple read operation, counter Latch command, and the Read-Back command. Each is explained below.

With the simple read and counter latch command methods, the count must be read according to the programmed format; specifically, if the counter is programmed for two byte counts, two bytes must be read. The two bytes do not have to be read one right after the other. Read, write, or programming operations for other counters may be inserted between them.

### 5.8.2.1 Simple Read

The first method is to perform a simple read operation. The counter is selected through port 40h (counter 0), 41h (counter 1), or 42h (counter 2).

**Note:** Performing a direct read from the counter does not return a determinate value, because the counting process is asynchronous to read operations. However, in the case of counter 2, the count can be stopped by writing to the GATE bit in port 61h.

### 5.8.2.2 Counter Latch Command

The Counter Latch command, written to port 43h, latches the count of a specific counter at the time the command is received. This command is used to ensure that the count read from the counter is accurate, particularly when reading a two-byte count. The count value is then read from each counter's Count register as was programmed by the Control register.

The count is held in the latch until it is read or the counter is reprogrammed. The count is then unlatched. This allows reading the contents of the counters on the fly without affecting counting in progress. Multiple Counter Latch Commands may be used to latch more than one counter. Counter Latch commands do not affect the programmed mode of the counter in any way.

If a Counter is latched and then, some time later, latched again before the count is read, the second Counter Latch command is ignored. The count read is the count at the time the first Counter Latch command was issued.

### 5.8.2.3 Read Back Command

The Read Back command, written to port 43h, latches the count value, programmed mode, and current states of the OUT pin and Null Count flag of the selected counter or counters. The value of the counter and its status may then be read by I/O access to the counter address.

The Read Back command may be used to latch multiple counter outputs at one time. This single command is functionally equivalent to several counter latch commands, one for each counter latched. Each counter's latched count is held until it is read or reprogrammed. Once read, a counter is unlatched. The other counters remain latched until they are read. If multiple count Read Back commands are issued to the same counter without reading the count, all but the first are ignored.

The Read Back command may additionally be used to latch status information of selected counters. The status of a counter is accessed by a read from that counter's I/O port address. If multiple counter status latch operations are performed without reading the status, all but the first are ignored.



Both count and status of the selected counters may be latched simultaneously. This is functionally the same as issuing two consecutive, separate Read Back commands. If multiple count and/or status Read Back commands are issued to the same counters without any intervening reads, all but the first are ignored.

If both count and status of a counter are latched, the first read operation from that counter returns the latched status, regardless of which was latched first. The next one or two reads, depending on whether the counter is programmed for one or two type counts, returns the latched count. Subsequent reads return unlatched count.

## 5.9 8259 Interrupt Controllers (PIC) (D31:F0)

The ICH7 incorporates the functionality of two 8259 interrupt controllers that provide system interrupts for the ISA compatible interrupts. These interrupts are: system timer, keyboard controller, serial ports, parallel ports, floppy disk, IDE, mouse, and DMA channels. In addition, this interrupt controller can support the PCI based interrupts, by mapping the PCI interrupt onto the compatible ISA interrupt line. Each 8259 core supports eight interrupts, numbered 0–7. Table 5-13 shows how the cores are connected.

**Table 5-13. Interrupt Controller Core Connections**

8259	8259 Input	Typical Interrupt Source	Connected Pin / Function
Master	0	Internal	Internal Timer / Counter 0 output / HPET #0
	1	Keyboard	IRQ1 via SERIRQ
	2	Internal	Slave controller INTR output
	3	Serial Port A	IRQ3 via SERIRQ, PIRQ#
	4	Serial Port B	IRQ4 via SERIRQ, PIRQ#
	5	Parallel Port / Generic	IRQ5 via SERIRQ, PIRQ#
	6	Floppy Disk	IRQ6 via SERIRQ, PIRQ#
	7	Parallel Port / Generic	IRQ7 via SERIRQ, PIRQ#
Slave	0	Internal Real Time Clock	Internal RTC / HPET #1
	1	Generic	IRQ9 via SERIRQ, SCI, TCO, or PIRQ#
	2	Generic	IRQ10 via SERIRQ, SCI, TCO, or PIRQ#
	3	Generic	IRQ11 via SERIRQ, SCI, TCO, or PIRQ#
	4	PS/2 Mouse	IRQ12 via SERIRQ, SCI, TCO, or PIRQ#
	5	Internal	State Machine output based on processor FERR# assertion. May optionally be used for SCI or TCO interrupt if FERR# not needed.
	6	IDE cable, SATA	IDEIRQ (legacy mode, non-combined or combined mapped as primary), SATA Primary (legacy mode), or via SERIRQ or PIRQ#
	7	IDE cable, SATA	IDEIRQ (legacy mode — combined, mapped as secondary), SATA Secondary (legacy mode) or via SERIRQ or PIRQ#

The ICH7 cascades the slave controller onto the master controller through master controller interrupt input 2. This means there are only 15 possible interrupts for the ICH7 PIC.



Interrupts can individually be programmed to be edge or level, except for IRQ0, IRQ2, IRQ8#, and IRQ13.

**Note:** Active-low interrupt sources (e.g., the PIRQ#s) are inverted inside the ICH7. In the following descriptions of the 8259s, the interrupt levels are in reference to the signals at the internal interface of the 8259s, after the required inversions have occurred. Therefore, the term “high” indicates “active,” which means “low” on an originating PIRQ#.

## 5.9.1 Interrupt Handling

### 5.9.1.1 Generating Interrupts

The PIC interrupt sequence involves three bits, from the IRR, ISR, and IMR, for each interrupt level. These bits are used to determine the interrupt vector returned, and status of any other pending interrupts. Table 5-14 defines the IRR, ISR, and IMR.

**Table 5-14. Interrupt Status Registers**

Bit	Description
IRR	<b>Interrupt Request Register.</b> This bit is set on a low to high transition of the interrupt line in edge mode, and by an active high level in level mode. This bit is set whether or not the interrupt is masked. However, a masked interrupt will not generate INTR.
ISR	<b>Interrupt Service Register.</b> This bit is set, and the corresponding IRR bit cleared, when an interrupt acknowledge cycle is seen, and the vector returned is for that interrupt.
IMR	<b>Interrupt Mask Register.</b> This bit determines whether an interrupt is masked. Masked interrupts will not generate INTR.

### 5.9.1.2 Acknowledging Interrupts

The processor generates an interrupt acknowledge cycle that is translated by the host bridge into a PCI Interrupt Acknowledge Cycle to the ICH7. The PIC translates this command into two internal INTA# pulses expected by the 8259 cores. The PIC uses the first internal INTA# pulse to freeze the state of the interrupts for priority resolution. On the second INTA# pulse, the master or slave sends the interrupt vector to the processor with the acknowledged interrupt code. This code is based upon bits [7:3] of the corresponding ICW2 register, combined with three bits representing the interrupt within that controller.

**Table 5-15. Content of Interrupt Vector Byte**

Master, Slave Interrupt	Bits [7:3]	Bits [2:0]
IRQ7,15	ICW2[7:3]	111
IRQ6,14		110
IRQ5,13		101
IRQ4,12		100
IRQ3,11		011
IRQ2,10		010
IRQ1,9		001
IRQ0,8		000



### 5.9.1.3 Hardware/Software Interrupt Sequence

1. One or more of the Interrupt Request lines (IRQ) are raised high in edge mode, or seen high in level mode, setting the corresponding IRR bit.
2. The PIC sends INTR active to the processor if an asserted interrupt is not masked.
3. The processor acknowledges the INTR and responds with an interrupt acknowledge cycle. The cycle is translated into a PCI interrupt acknowledge cycle by the host bridge. This command is broadcast over PCI by the ICH7.
4. Upon observing its own interrupt acknowledge cycle on PCI, the ICH7 converts it into the two cycles that the internal 8259 pair can respond to. Each cycle appears as an interrupt acknowledge pulse on the internal INTA# pin of the cascaded interrupt controllers.
5. Upon receiving the first internally generated INTA# pulse, the highest priority ISR bit is set and the corresponding IRR bit is reset. On the trailing edge of the first pulse, a slave identification code is broadcast by the master to the slave on a private, internal three bit wide bus. The slave controller uses these bits to determine if it must respond with an interrupt vector during the second INTA# pulse.
6. Upon receiving the second internally generated INTA# pulse, the PIC returns the interrupt vector. If no interrupt request is present because the request was too short in duration, the PIC returns vector 7 from the master controller.
7. This completes the interrupt cycle. In AEOI mode the ISR bit is reset at the end of the second INTA# pulse. Otherwise, the ISR bit remains set until an appropriate EOI command is issued at the end of the interrupt subroutine.

## 5.9.2 Initialization Command Words (ICWx)

Before operation can begin, each 8259 must be initialized. In the ICH7, this is a four byte sequence. The four initialization command words are referred to by their acronyms: ICW1, ICW2, ICW3, and ICW4.

The base address for each 8259 initialization command word is a fixed location in the I/O memory space: 20h for the master controller, and A0h for the slave controller.

### 5.9.2.1 ICW1

An I/O write to the master or slave controller base address with data bit 4 equal to 1 is interpreted as a write to ICW1. Upon sensing this write, the ICH7 PIC expects three more byte writes to 21h for the master controller, or A1h for the slave controller, to complete the ICW sequence.

A write to ICW1 starts the initialization sequence during which the following automatically occur:

1. Following initialization, an interrupt request (IRQ) input must make a low-to-high transition to generate an interrupt.
2. The Interrupt Mask Register is cleared.
3. IRQ7 input is assigned priority 7.
4. The slave mode address is set to 7.
5. Special mask mode is cleared and Status Read is set to IRR.

### 5.9.2.2 ICW2

The second write in the sequence (ICW2) is programmed to provide bits [7:3] of the interrupt vector that will be released during an interrupt acknowledge. A different base is selected for each interrupt controller.

### 5.9.2.3 ICW3

The third write in the sequence (ICW3) has a different meaning for each controller.

- For the master controller, ICW3 is used to indicate which IRQ input line is used to cascade the slave controller. Within the ICH7, IRQ2 is used. Therefore, bit 2 of ICW3 on the master controller is set to a 1, and the other bits are set to 0s.
- For the slave controller, ICW3 is the slave identification code used during an interrupt acknowledge cycle. On interrupt acknowledge cycles, the master controller broadcasts a code to the slave controller if the cascaded interrupt won arbitration on the master controller. The slave controller compares this identification code to the value stored in its ICW3, and if it matches, the slave controller assumes responsibility for broadcasting the interrupt vector.

### 5.9.2.4 ICW4

The final write in the sequence (ICW4) must be programmed for both controllers. At the very least, bit 0 must be set to a 1 to indicate that the controllers are operating in an Intel Architecture-based system.

## 5.9.3 Operation Command Words (OCW)

These command words reprogram the Interrupt controller to operate in various interrupt modes.

- OCW1 masks and unmask interrupt lines.
- OCW2 controls the rotation of interrupt priorities when in rotating priority mode, and controls the EOI function.
- OCW3 sets up ISR/IRR reads, enables/disables the special mask mode (SMM), and enables/disables polled interrupt mode.

## 5.9.4 Modes of Operation

### 5.9.4.1 Fully Nested Mode

In this mode, interrupt requests are ordered in priority from 0 through 7, with 0 being the highest. When an interrupt is acknowledged, the highest priority request is determined and its vector placed on the bus. Additionally, the ISR for the interrupt is set. This ISR bit remains set until: the processor issues an EOI command immediately before returning from the service routine; or if in AEIOI mode, on the trailing edge of the second INTA#. While the ISR bit is set, all further interrupts of the same or lower priority are inhibited, while higher levels generate another interrupt. Interrupt priorities can be changed in the rotating priority mode.





#### 5.9.4.2 Special Fully-Nested Mode

This mode is used in the case of a system where cascading is used, and the priority has to be conserved within each slave. In this case, the special fully-nested mode is programmed to the master controller. This mode is similar to the fully-nested mode with the following exceptions:

- When an interrupt request from a certain slave is in service, this slave is not locked out from the master's priority logic and further interrupt requests from higher priority interrupts within the slave are recognized by the master and initiate interrupts to the processor. In the normal-nested mode, a slave is masked out when its request is in service.
- When exiting the Interrupt Service routine, software has to check whether the interrupt serviced was the only one from that slave. This is done by sending a Non-Specific EOI command to the slave and then reading its ISR. If it is 0, a non-specific EOI can also be sent to the master.

#### 5.9.4.3 Automatic Rotation Mode (Equal Priority Devices)

In some applications, there are a number of interrupting devices of equal priority. Automatic rotation mode provides for a sequential 8-way rotation. In this mode, a device receives the lowest priority after being serviced. In the worst case, a device requesting an interrupt has to wait until each of seven other devices are serviced at most once.

There are two ways to accomplish automatic rotation using OCW2; the Rotation on Non-Specific EOI Command (R=1, SL=0, EOI=1) and the rotate in automatic EOI mode which is set by (R=1, SL=0, EOI=0).

#### 5.9.4.4 Specific Rotation Mode (Specific Priority)

Software can change interrupt priorities by programming the bottom priority. For example, if IRQ5 is programmed as the bottom priority device, then IRQ6 is the highest priority device. The Set Priority Command is issued in OCW2 to accomplish this, where: R=1, SL=1, and LO–L2 is the binary priority level code of the bottom priority device.

In this mode, internal status is updated by software control during OCW2. However, it is independent of the EOI command. Priority changes can be executed during an EOI command by using the Rotate on Specific EOI Command in OCW2 (R=1, SL=1, EOI=1 and LO–L2=IRQ level to receive bottom priority).

#### 5.9.4.5 Poll Mode

Poll mode can be used to conserve space in the interrupt vector table. Multiple interrupts that can be serviced by one interrupt service routine do not need separate vectors if the service routine uses the poll command. Poll mode can also be used to expand the number of interrupts. The polling interrupt service routine can call the appropriate service routine, instead of providing the interrupt vectors in the vector table. In this mode, the INTR output is not used and the microprocessor internal Interrupt Enable flip-flop is reset, disabling its interrupt input. Service to devices is achieved by software using a Poll command.

The Poll command is issued by setting P=1 in OCW3. The PIC treats its next I/O read as an interrupt acknowledge, sets the appropriate ISR bit if there is a request, and reads the priority level. Interrupts are frozen from the OCW3 write to the I/O read. The byte returned during the I/O read contains a 1 in bit 7 if there is an interrupt, and the binary code of the highest priority level in bits 2:0.



#### 5.9.4.6 Cascade Mode

The PIC in the ICH7 has one master 8259 and one slave 8259 cascaded onto the master through IRQ2. This configuration can handle up to 15 separate priority levels. The master controls the slaves through a three bit internal bus. In the ICH7, when the master drives 010b on this bus, the slave controller takes responsibility for returning the interrupt vector. An EOI command must be issued twice: once for the master and once for the slave.

#### 5.9.4.7 Edge and Level Triggered Mode

In ISA systems this mode is programmed using bit 3 in ICW1, which sets level or edge for the entire controller. In the ICH7, this bit is disabled and a new register for edge and level triggered mode selection, per interrupt input, is included. This is the Edge/Level control Registers ELCR1 and ELCR2.

If an ELCR bit is 0, an interrupt request will be recognized by a low-to-high transition on the corresponding IRQ input. The IRQ input can remain high without generating another interrupt. If an ELCR bit is 1, an interrupt request will be recognized by a high level on the corresponding IRQ input and there is no need for an edge detection. The interrupt request must be removed before the EOI command is issued to prevent a second interrupt from occurring.

In both the edge and level triggered modes, the IRQ inputs must remain active until after the falling edge of the first internal INTA#. If the IRQ input goes inactive before this time, a default IRQ7 vector is returned.

#### 5.9.4.8 End of Interrupt (EOI) Operations

An EOI can occur in one of two fashions: by a command word write issued to the PIC before returning from a service routine, the EOI command; or automatically when AEOI bit in ICW4 is set to 1.

#### 5.9.4.9 Normal End of Interrupt

In normal EOI, software writes an EOI command before leaving the interrupt service routine to mark the interrupt as completed. There are two forms of EOI commands: Specific and Non-Specific. When a Non-Specific EOI command is issued, the PIC clears the highest ISR bit of those that are set to 1. Non-Specific EOI is the normal mode of operation of the PIC within the ICH7, as the interrupt being serviced currently is the interrupt entered with the interrupt acknowledge. When the PIC is operated in modes that preserve the fully nested structure, software can determine which ISR bit to clear by issuing a Specific EOI. An ISR bit that is masked is not cleared by a Non-Specific EOI if the PIC is in the special mask mode. An EOI command must be issued for both the master and slave controller.

#### 5.9.4.10 Automatic End of Interrupt Mode

In this mode, the PIC automatically performs a Non-Specific EOI operation at the trailing edge of the last interrupt acknowledge pulse. From a system standpoint, this mode should be used only when a nested multi-level interrupt structure is not required within a single PIC. The AEOI mode can only be used in the master controller and not the slave controller.



## 5.9.5 Masking Interrupts

### 5.9.5.1 Masking on an Individual Interrupt Request

Each interrupt request can be masked individually by the Interrupt Mask Register (IMR). This register is programmed through OCW1. Each bit in the IMR masks one interrupt channel. Masking IRQ2 on the master controller masks all requests for service from the slave controller.

### 5.9.5.2 Special Mask Mode

Some applications may require an interrupt service routine to dynamically alter the system priority structure during its execution under software control. For example, the routine may wish to inhibit lower priority requests for a portion of its execution but enable some of them for another portion.

The special mask mode enables all interrupts not masked by a bit set in the Mask register. Normally, when an interrupt service routine acknowledges an interrupt without issuing an EOI to clear the ISR bit, the interrupt controller inhibits all lower priority requests. In the special mask mode, any interrupts may be selectively enabled by loading the Mask Register with the appropriate pattern. The special mask mode is set by OCW3 where: SSMM=1, SMM=1, and cleared where SSMM=1, SMM=0.

## 5.9.6 Steering PCI Interrupts

The ICH7 can be programmed to allow PIRQA#-PIRQH# (PIRQE#-PIRQH# on Ultra Mobile) to be internally routed to interrupts 3-7, 9-12, 14 or 15. The assignment is programmable through the through the PIRQx Route Control registers, located at 60-63h and 68-6Bh in Device 31:Function 0. One or more PIRQx# lines can be routed to the same IRQx input. If interrupt steering is not required, the Route registers can be programmed to disable steering.

The PIRQx# lines are defined as active low, level sensitive to allow multiple interrupts on a PCI board to share a single line across the connector. When a PIRQx# is routed to specified IRQ line, software must change the IRQ's corresponding ELCR bit to level sensitive mode. The ICH7 internally inverts the PIRQx# line to send an active high level to the PIC. When a PCI interrupt is routed onto the PIC, the selected IRQ can no longer be used by an active high device (through SERIRQ). However, active low interrupts can share their interrupt with PCI interrupts.

Internal sources of the PIRQs, including SCI and TCO interrupts, cause the external PIRQ to be asserted. The ICH7 receives the PIRQ input, like all of the other external sources, and routes it accordingly.



## 5.10 Advanced Programmable Interrupt Controller (APIC) (D31:F0)

In addition to the standard ISA-compatible PIC described in the previous chapter, the ICH7 incorporates the APIC. While the standard interrupt controller is intended for use in a uni-processor system, APIC can be used in either a uni-processor or multi-processor system.

### 5.10.1 Interrupt Handling

The I/O APIC handles interrupts very differently than the 8259. Briefly, these differences are:

- **Method of Interrupt Transmission.** The I/O APIC transmits interrupts through memory writes on the normal datapath to the processor, and interrupts are handled without the need for the processor to run an interrupt acknowledge cycle.
- **Interrupt Priority.** The priority of interrupts in the I/O APIC is independent of the interrupt number. For example, interrupt 10 can be given a higher priority than interrupt 3.
- **More Interrupts.** The I/O APIC in the ICH7 supports a total of 24 interrupts.
- **Multiple Interrupt Controllers.** The I/O APIC architecture allows for multiple I/O APIC devices in the system with their own interrupt vectors.

### 5.10.2 Interrupt Mapping

The I/O APIC within the ICH7 supports 24 APIC interrupts. Each interrupt has its own unique vector assigned by software. The interrupt vectors are mapped as follows, and match “Config 6” of the *Multi-Processor Specification*.

Table 5-16. APIC Interrupt Mapping (Sheet 1 of 2)

IRQ # <sup>1</sup>	Via SERIRQ	Direct from Pin	Via PCI Message	Internal Modules
0	No	No	No	Cascade from 8259 #1
1	Yes	No	Yes	
2	No	No	No	8254 Counter 0, HPET #0 (legacy mode)
3	Yes	No	Yes	
4	Yes	No	Yes	
5	Yes	No	Yes	
6	Yes	No	Yes	
7	Yes	No	Yes	
8	No	No	No	RTC, HPET #1 (legacy mode)
9	Yes	No	Yes	Option for SCI, TCO
10	Yes	No	Yes	Option for SCI, TCO
11	Yes	No	Yes	HPET #2, Option for SCI, TCO <sup>2</sup>
12	Yes	No	Yes	
13	No	No	No	FERR# logic
14	Yes	Yes <sup>3</sup>	Yes	IDEIRQ (legacy mode, non-combined or combined mapped as primary), SATA Primary (legacy mode)
15	Yes	Yes	Yes	IDEIRQ (legacy mode — combined, mapped as secondary), SATA Secondary (legacy mode)



Table 5-16. APIC Interrupt Mapping (Sheet 2 of 2)

IRQ # <sup>1</sup>	Via SERIRQ	Direct from Pin	Via PCI Message	Internal Modules
16	PIRQA#	PIRQA#	Yes	Internal devices are routable; see Section 7.1.41 through Section 7.1.50. <b>NOTE:</b> PIRQA#–PIRQD# are not on Ultra Mobile.
17	PIRQB#	PIRQB#		
18	PIRQC#	PIRQC#		
19	PIRQD#	PIRQD#		
20	N/A	PIRQE#	Yes	Option for SCI, TCO, HPET #0,1,2. Other internal devices are routable; see Section 7.1.41 through Section 7.1.50.
21	N/A	PIRQF#		
22	N/A	PIRQG#		
23	N/A	PIRQH#		

**NOTES:**

- When programming the polarity of internal interrupt sources on the APIC, interrupts 0 through 15 receive active-high internal interrupt sources, while interrupts 16 through 23 receive active-low internal interrupt sources.
- If IRQ 11 is used for HPET #2, software should ensure IRQ 11 is not shared with any other devices to ensure the proper operation of HPET #2. ICH7 hardware does not prevent sharing of IRQ 11.
- IDEIRQ can only be driven directly from the pin when in legacy IDE mode.

### 5.10.3 PCI / PCI Express\* Message-Based Interrupts

When external devices through PCI / PCI Express wish to generate an interrupt, they will send the message defined in the *PCI Express\* Base Specification*, Revision 1.0a for generating INTA# – INTD#. These will be translated internal assertions/de-assertions of INTA# – INTD#.

### 5.10.4 Front Side Bus Interrupt Delivery

For processors that support Front Side Bus (FSB) interrupt delivery, the ICH7 requires that the I/O APIC deliver interrupt messages to the processor in a parallel manner, rather than using the I/O APIC serial scheme.

This is done by the ICH7 writing (via DMI) to a memory location that is snooped by the processor(s). The processor(s) snoop the cycle to know which interrupt goes active.

The following sequence is used:

- When the ICH7 detects an interrupt event (active edge for edge-triggered mode or a change for level-triggered mode), it sets or resets the internal IRR bit associated with that interrupt.
- Internally, the ICH7 requests to use the bus in a way that automatically flushes upstream buffers. This can be internally implemented similar to a DMA device request.
- The ICH7 then delivers the message by performing a write cycle to the appropriate address with the appropriate data. The address and data formats are described below in Section 5.10.4.4.

**Note:** FSB Interrupt Delivery compatibility with processor clock control depends on the processor, not the ICH7.



#### 5.10.4.1 Edge-Triggered Operation

In this case, the “Assert Message” is sent when there is an inactive-to-active edge on the interrupt.

#### 5.10.4.2 Level-Triggered Operation

In this case, the “Assert Message” is sent when there is an inactive-to-active edge on the interrupt. If after the EOI the interrupt is still active, then another “Assert Message” is sent to indicate that the interrupt is still active.

#### 5.10.4.3 Registers Associated with Front Side Bus Interrupt Delivery

**Capabilities Indication:** The capability to support Front Side Bus interrupt delivery is indicated via ACPI configuration techniques. This involves the BIOS creating a data structure that gets reported to the ACPI configuration software.

#### 5.10.4.4 Interrupt Message Format

The ICH7 writes the message to PCI (and to the Host controller) as a 32-bit memory write cycle. It uses the formats shown in [Table 5-17](#) and [Table 5-18](#) for the address and data.

The local APIC (in the processor) has a delivery mode option to interpret Front Side Bus messages as a SMI in which case the processor treats the incoming interrupt as a SMI instead of as an interrupt. This does not mean that the ICH7 has any way to have a SMI source from ICH7 power management logic cause the I/O APIC to send an SMI message (there is no way to do this). The ICH7’s I/O APIC can only send interrupts due to interrupts which do not include SMI, NMI or INIT. This means that in IA32/IA64 based platforms, Front Side Bus interrupt message format delivery modes 010 (SMI/PMI), 100 (NMI), and 101 (INIT) as indicated in this section, must not be used and is not supported. Only the hardware pin connection is supported by ICH7.

**Table 5-17. Interrupt Message Address Format**

Bit	Description
31:20	Will always be FEEh
19:12	<b>Destination ID:</b> This is the same as bits 63:56 of the I/O Redirection Table entry for the interrupt associated with this message.
11:4	<b>Extended Destination ID:</b> This is the same as bits 55:48 of the I/O Redirection Table entry for the interrupt associated with this message.
3	<b>Redirection Hint:</b> This bit is used by the processor host bridge to allow the interrupt message to be redirected. 0 = The message will be delivered to the agent (processor) listed in bits 19:12. 1 = The message will be delivered to an agent with a lower interrupt priority This can be derived from bits 10:8 in the Data Field (see below). The Redirection Hint bit will be a 1 if bits 10:8 in the delivery mode field associated with corresponding interrupt are encoded as 001 (Lowest Priority). Otherwise, the Redirection Hint bit will be 0
2	<b>Destination Mode:</b> This bit is used only the Redirection Hint bit is set to 1. If the Redirection Hint bit and the Destination Mode bit are both set to 1, then the logical destination mode is used, and the redirection is limited only to those processors that are part of the logical group as based on the logical ID.
1:0	Will always be 00.



Table 5-18. Interrupt Message Data Format

Bit	Description
31:16	Will always be 0000h.
15	<b>Trigger Mode:</b> 1 = Level, 0 = Edge. Same as the corresponding bit in the I/O Redirection Table for that interrupt.
14	<b>Delivery Status:</b> 1 = Assert, 0 = Deassert. Only Assert messages are sent. This bit is always 1.
13:12	Will always be 00
11	<b>Destination Mode:</b> 1 = Logical. 0 = Physical. Same as the corresponding bit in the I/O Redirection Table for that interrupt.
10:8	<b>Delivery Mode:</b> This is the same as the corresponding bits in the I/O Redirection Table for that interrupt. 000 = Fixed 100 = NMI 001 = Lowest Priority 101 = INIT 010 = SMI/PMI 110 = Reserved 011 = Reserved 111 = ExtINT
7:0	<b>Vector:</b> This is the same as the corresponding bits in the I/O Redirection Table for that interrupt.

## 5.11 Serial Interrupt (D31:F0)

The ICH7 supports a serial IRQ scheme. This allows a single signal to be used to report interrupt requests. The signal used to transmit this information is shared between the host, the ICH7, and all peripherals that support serial interrupts. The signal line, SERIRQ, is synchronous to PCI clock, and follows the sustained tri-state protocol that is used by all PCI signals. This means that if a device has driven SERIRQ low, it will first drive it high synchronous to PCI clock and release it the following PCI clock. The serial IRQ protocol defines this sustained tri-state signaling in the following fashion:

- **S – Sample Phase.** Signal driven low
- **R – Recovery Phase.** Signal driven high
- **T – Turn-around Phase.** Signal released

The ICH7 supports a message for 21 serial interrupts. These represent the 15 ISA interrupts (IRQ0–1, 2–15), the four PCI interrupts, and the control signals SMI# and IOCHK#. The serial IRQ protocol does not support the additional APIC interrupts (20–23).

**Note:** When the IDE controller is enabled or the SATA controller (Desktop and Mobile Only) is configured for legacy IDE mode, IRQ14 and IRQ15 are expected to behave as ISA legacy interrupts, which cannot be shared, i.e. through the Serial Interrupt pin. If IRQ14 and IRQ15 are shared with Serial Interrupt pin then abnormal system behavior may occur. For example, IRQ14/15 may not be detected by ICH7's interrupt controller.

### 5.11.1 Start Frame

The serial IRQ protocol has two modes of operation which affect the start frame. These two modes are: Continuous, where the ICH7 is solely responsible for generating the start frame; and Quiet, where a serial IRQ peripheral is responsible for beginning the start frame.



The mode that must first be entered when enabling the serial IRQ protocol is continuous mode. In this mode, the ICH7 asserts the start frame. This start frame is 4, 6, or 8 PCI clocks wide based upon the Serial IRQ Control Register, bits 1:0 at 64h in Device 31:Function 0 configuration space. This is a polling mode.

When the serial IRQ stream enters quiet mode (signaled in the Stop Frame), the SERIRQ line remains inactive and pulled up between the Stop and Start Frame until a peripheral drives the SERIRQ signal low. The ICH7 senses the line low and continues to drive it low for the remainder of the Start Frame. Since the first PCI clock of the start frame was driven by the peripheral in this mode, the ICH7 drives the SERIRQ line low for 1 PCI clock less than in continuous mode. This mode of operation allows for a quiet, and therefore lower power, operation.

### 5.11.2 Data Frames

Once the Start frame has been initiated, all of the SERIRQ peripherals must start counting frames based on the rising edge of SERIRQ. Each of the IRQ/DATA frames has exactly 3 phases of 1 clock each:

- **Sample Phase.** During this phase, the SERIRQ device drives SERIRQ low if the corresponding interrupt signal is low. If the corresponding interrupt is high, then the SERIRQ devices tri-state the SERIRQ signal. The SERIRQ line remains high due to pull-up resistors (there is no internal pull-up resistor on this signal, an external pull-up resistor is required). A low level during the IRQ0–1 and IRQ2–15 frames indicates that an active-high ISA interrupt is not being requested, but a low level during the PCI INT[A:D], SMI#, and IOCHK# frame indicates that an active-low interrupt is being requested.
- **Recovery Phase.** During this phase, the device drives the SERIRQ line high if in the Sample Phase it was driven low. If it was not driven in the sample phase, it is tri-stated in this phase.
- **Turn-around Phase.** The device tri-states the SERIRQ line

### 5.11.3 Stop Frame

After all data frames, a Stop Frame is driven by the ICH7. The SERIRQ signal is driven low by the ICH7 for 2 or 3 PCI clocks. The number of clocks is determined by the SERIRQ configuration register. The number of clocks determines the next mode:

Table 5-19. Stop Frame Explanation

Stop Frame Width	Next Mode
2 PCI clocks	<b>Quiet Mode.</b> Any SERIRQ device may initiate a Start Frame
3 PCI clocks	<b>Continuous Mode.</b> Only the host (Intel® ICH7) may initiate a Start Frame

### 5.11.4 Specific Interrupts Not Supported via SERIRQ

There are three interrupts seen through the serial stream that are not supported by the ICH7. These interrupts are generated internally, and are not sharable with other devices within the system. These interrupts are:

- IRQ0. Heartbeat interrupt generated off of the internal 8254 counter 0.
- IRQ8#. RTC interrupt can only be generated internally.
- IRQ13. Floating point error interrupt generated off of the processor assertion of FERR#.

The ICH7 ignores the state of these interrupts in the serial stream, and does not adjust their level based on the level seen in the serial stream.





### 5.11.5 Data Frame Format

Table 5-20 shows the format of the data frames. For the PCI interrupts (A-D), the output from the ICH7 is ANDed with the PCI input signal. This way, the interrupt can be signaled via both the PCI interrupt input signal and via the SERIRQ signal (they are shared).

Table 5-20. Data Frame Format

Data Frame #	Interrupt	Clocks Past Start Frame	Comment
1	IRQ0	2	Ignored. IRQ0 can only be generated via the internal 8524
2	IRQ1	5	
3	SMI#	8	Causes SMI# if low. Will set the SERIRQ_SMI_STS bit.
4	IRQ3	11	
5	IRQ4	14	
6	IRQ5	17	
7	IRQ6	20	
8	IRQ7	23	
9	IRQ8	26	Ignored. IRQ8# can only be generated internally.
10	IRQ9	29	
11	IRQ10	32	
12	IRQ11	35	
13	IRQ12	38	
14	IRQ13	41	Ignored. IRQ13 can only be generated from FERR#
15	IRQ14	44	Not attached to PATA or SATA logic
16	IRQ15	47	Not attached to PATA or SATA logic
17	IOCHCK#	50	Same as ISA IOCHCK# going active.
18	PCI INTA#	53	Drive PIRQA#
19	PCI INTB#	56	Drive PIROB#
20	PCI INTC#	59	Drive PIROC#
21	PCI INTD#	62	Drive PIROD#

## 5.12 Real Time Clock (D31:F0)

The Real Time Clock (RTC) module provides a battery backed-up date and time keeping device with two banks of static RAM with 128 bytes each, although the first bank has 114 bytes for general purpose usage. Three interrupt features are available: time of day alarm with once a second to once a month range, periodic rates of 122  $\mu$ s to 500 ms, and end of update cycle notification. Seconds, minutes, hours, days, day of week, month, and year are counted. Daylight savings compensation is available. The hour is represented in twelve or twenty-four hour format, and data can be represented in BCD or binary format. The design is functionally compatible with the Motorola MS146818B. The time keeping comes from a 32.768 kHz oscillating source, which is divided to achieve an update every second. The lower 14 bytes on the lower RAM block has very specific functions. The first ten are for time and date information. The next four (0Ah to 0Dh) are registers, which configure and report RTC functions.

The time and calendar data should match the data mode (BCD or binary) and hour mode (12 or 24 hour) as selected in register B. It is up to the programmer to make sure that data stored in these locations is within the reasonable values ranges and represents a possible date and time. The exception to these ranges is to store a value of C0–FFh in the Alarm bytes to indicate a don't care situation. All Alarm conditions must match to trigger an Alarm Flag, which could trigger an Alarm Interrupt if enabled. The SET bit must be 1 while programming these locations to avoid clashes with an update cycle. Access to time and date information is done through the RAM locations. If a RAM read from the ten time and date bytes is attempted during an update cycle, the value read do not necessarily represent the true contents of those locations. Any RAM writes under the same conditions are ignored.

**Note:** The leap year determination for adding a 29th day to February does not take into account the end-of-the-century exceptions. The logic simply assumes that all years divisible by 4 are leap years. According to the Royal Observatory Greenwich, years that are divisible by 100 are typically not leap years. In every fourth century (years divisible by 400, like 2000), the 100-year-exception is over-ridden and a leap-year occurs. Note that the year 2100 will be the first time in which the current RTC implementation would incorrectly calculate the leap-year.

The ICH7 does not implement month/year alarms.

### 5.12.1 Update Cycles

An update cycle occurs once a second, if the SET bit of register B is not asserted and the divide chain is properly configured. During this procedure, the stored time and date are incremented, overflow is checked, a matching alarm condition is checked, and the time and date are rewritten to the RAM locations. The update cycle will start at least 488  $\mu$ s after the UIP bit of register A is asserted, and the entire cycle does not take more than 1984  $\mu$ s to complete. The time and date RAM locations (0–9) are disconnected from the external bus during this time.

To avoid update and data corruption conditions, external RAM access to these locations can safely occur at two times. When a updated-ended interrupt is detected, almost 999 ms is available to read and write the valid time and date data. If the UIP bit of Register A is detected to be low, there is at least 488  $\mu$ s before the update cycle begins.

**Warning:** The overflow conditions for leap years and daylight savings adjustments are based on more than one date or time item. To ensure proper operation when adjusting the time, the new time and data values should be set at least two seconds before one of these conditions (leap year, daylight savings time adjustments) occurs.



## 5.12.2 Interrupts

The real-time clock interrupt is internally routed within the ICH7 both to the I/O APIC and the 8259. It is mapped to interrupt vector 8. This interrupt does not leave the ICH7, nor is it shared with any other interrupt. IRQ8# from the SERIRQ stream is ignored. However, the High Performance Event Timers can also be mapped to IRQ8#; in this case, the RTC interrupt is blocked.

## 5.12.3 Lockable RAM Ranges

The RTC's battery-backed RAM supports two 8-byte ranges that can be locked via the configuration space. If the locking bits are set, the corresponding range in the RAM will not be readable or writable. A write cycle to those locations will have no effect. A read cycle to those locations will not return the location's actual value (resultant value is undefined).

Once a range is locked, the range can be unlocked only by a hard reset, which will invoke the BIOS and allow it to relock the RAM range.

## 5.12.4 Century Rollover

The ICH7 detects a rollover when the Year byte (RTC I/O space, index offset 09h) transitions from 99 to 00. Upon detecting the rollover, the ICH7 sets the NEWCENTURY\_STS bit (TCOBASE + 04h, bit 7). If the system is in an S0 state, this causes an SMI#. The SMI# handler can update registers in the RTC RAM that are associated with century value. If the system is in a sleep state (S1–S5) when the century rollover occurs, the ICH7 also sets the NEWCENTURY\_STS bit, but no SMI# is generated. When the system resumes from the sleep state, BIOS should check the NEWCENTURY\_STS bit and update the century value in the RTC RAM.

## 5.12.5 Clearing Battery-Backed RTC RAM

Clearing CMOS RAM in an ICH7-based platform can be done by using a jumper on RTCRST# or GPI. Implementations should not attempt to clear CMOS by using a jumper to pull VccRTC low.

### Using RTCRST# to Clear CMOS

A jumper on RTCRST# can be used to clear CMOS values, as well as reset to default, the state of those configuration bits that reside in the RTC power well. When the RTCRST# is strapped to ground, the RTC\_PWR\_STS bit (D31:F0:A4h bit 2) will be set and those configuration bits in the RTC power well will be set to their default state. BIOS can monitor the state of this bit, and manually clear the RTC CMOS array once the system is booted. The normal position would cause RTCRST# to be pulled up through a weak pull-up resistor. [Table 5-21](#) shows which bits are set to their default state when RTCRST# is asserted. This RTCRST# jumper technique allows the jumper to be moved and then replaced—all while the system is powered off. Then, once booted, the RTC\_PWR\_STS can be detected in the set state.



**Table 5-21. Configuration Bits Reset by RTCRST# Assertion (Sheet 1 of 2)**

Bit Name	Register	Location	Bit(s)	Default State
Alarm Interrupt Enable (AIE)	Register B (General Configuration) (RTC_REGB)	I/O space (RTC Index + 0Bh)	5	X
Alarm Flag (AF)	Register C (Flag Register) (RTC_REGC)	I/O space (RTC Index + 0Ch)	5	X
SWSMI_RATE_SEL	General PM Configuration 3 Register (GEN_PMCON_3)	D31:F0:A4h	7:6	0
SLP_S4# Minimum Assertion Width	General PM Configuration 3 Register (GEN_PMCON_3)	D31:F0:A4h	5:4	0
SLP_S4# Assertion Stretch Enable	General PM Configuration 3 Register (GEN_PMCON_3)	D31:F0:A4h	3	0
RTC Power Status (RTC_PWR_STS)	General PM Configuration 3 Register (GEN_PMCON_3)	D31:F0:A4h	2	0
Power Failure (PWR_FLR)	General PM Configuration 3 Register (GEN_PMCON_3)	D31:F0:A4h	1	0
AFTERG3_EN	General PM Configuration 3 Register (GEN_PMCON_3)	D31:F0:A4h	0	0
Power Button Override Status (PRBTNOR_STS)	Power Management 1 Status Register (PM1_STS)	PMBase + 00h	11	0
RTC Event Enable (RTC_EN)	Power Management 1 Enable Register (PM1_EN)	PMBase + 02h	10	0
Sleep Type (SLP_TYP)	Power Management 1 Control (PM1_CNT)	PMBase + 04h	12:10	0
PME_EN	General Purpose Event 0 Enables Register (GPE0_EN)	PMBase + 2Ch	11	0
BATLOW_EN (Mobile/Ultra Mobile Only)	General Purpose Event 0 Enables Register (GPE0_EN)	PMBase + 2Ch	10	0
RI_EN	General Purpose Event 0 Enables Register (GPE0_EN)	PMBase + 2Ch	8	0



Table 5-21. Configuration Bits Reset by RTCRST# Assertion (Sheet 2 of 2)

Bit Name	Register	Location	Bit(s)	Default State
NEWCENTURY_STS	TCO1 Status Register (TCO1_STS)	TCOBase + 04h	7	0
Intruder Detect (INTRD_DET)	TCO2 Status Register (TCO2_STS)	TCOBase + 06h	0	0
Top Swap (TS)	Backed Up Control Register (BUC)	Chipset Config Registers: Offset 3414h	0	X
PATA Reset State (PRS) (Mobile/Ultra Mobile Only)	Backed Up Control Register (BUC)	Chipset Config Registers: Offset 3414h	1	1

### Using a GPI to Clear CMOS

A jumper on a GPI can also be used to clear CMOS values. BIOS would detect the setting of this GPI on system boot-up, and manually clear the CMOS array.

**Note:** The GPI strap technique to clear CMOS requires multiple steps to implement. The system is booted with the jumper in new position, then powered back down. The jumper is replaced back to the normal position, then the system is rebooted again.

**Warning:** Clearing CMOS, using a jumper on VccRTC, must **not** be implemented.

## 5.13 Processor Interface (D31:F0)

The ICH7 interfaces to the processor with a variety of signals

- Standard Outputs to processor: A20M#, SMI#, NMI, INIT#, INTR, STPCLK#, IGNNE#, CPUSLP# (supported only on desktop platforms), CPUPWRGD
- Standard Input from processor: FERR#
- Intel SpeedStep® technology output to processor: CPUPWRGOOD (In mobile/Ultra Mobile configurations)

Most ICH7 outputs to the processor use standard buffers. The ICH7 has separate V\_CPU\_IO signals that are pulled up at the system level to the processor voltage, and thus determines VOH for the outputs to the processor.

### 5.13.1 Processor Interface Signals

This section describes each of the signals that interface between the ICH7 and the processor(s). Note that the behavior of some signals may vary during processor reset, as the signals are used for frequency strapping.

#### 5.13.1.1 A20M# (Mask A20)

The A20M# signal is active (low) when both of the following conditions are true:

- The ALT\_A20\_GATE bit (Bit 1 of PORT92 register) is a 0
- The A20GATE input signal is a 0

The A20GATE input signal is expected to be generated by the external microcontroller (KBC).



### 5.13.1.2 INIT# (Initialization)

The INIT# signal is active (driven low) based on any one of several events described in Table 5-22. When any of these events occur, INIT# is driven low for 16 PCI clocks, then driven high.

**Note:** The 16-clock counter for INIT# assertion halts while STPCLK# is active. Therefore, if INIT# is supposed to go active while STPCLK# is asserted, it actually goes active after STPCLK# goes inactive.

This section refers to INIT#, but applies to two signals: INIT# and INIT3\_3V#, as INIT3\_3V# is functionally identical to INIT#, but signaling at 3.3 V.

Table 5-22. INIT# Going Active

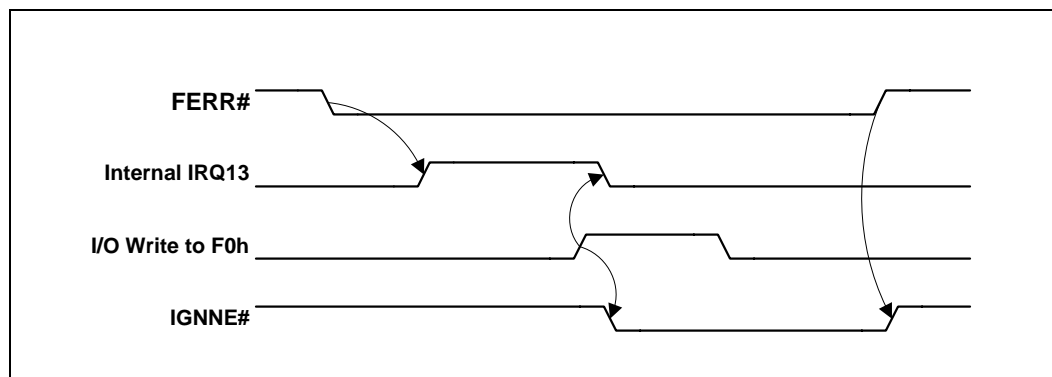
Cause of INIT# Going Active	Comment
Shutdown special cycle from processor.	
PORT92 write, where INIT_NOW (bit 0) transitions from a 0 to a 1.	
PORTCF9 write, where SYS_RST (bit 1) was a 0 and RST_CPU (bit 2) transitions from 0 to 1.	
RCIN# input signal goes low. RCIN# is expected to be driven by the external microcontroller (KBC).	0 to 1 transition on RCIN# must occur before the Intel® ICH7 will arm INIT# to be generated again.  <b>NOTE:</b> RCIN# signal is expected to be high during S3 <sub>HOT</sub> and low during S3 <sub>COLD</sub> , S4, and S5 states. Transition on the RCIN# signal in those states (or the transition to those states) may not necessarily cause the INIT# signal to be generated to the processor.
CPU BIST	To enter BIST, software sets CPU_BIST_EN bit and then does a full processor reset using the CF9 register.

### 5.13.1.3 FERR#/IGNNE# (Numeric Coprocessor Error/ Ignore Numeric Error)

The ICH7 supports the coprocessor error function with the FERR#/IGNNE# pins. The function is enabled via the COPROC\_ERR\_EN bit (Chipset Config Registers: Offset 31FFh: bit 1). FERR# is tied directly to the Coprocessor Error signal of the processor. If FERR# is driven active by the processor, IRQ13 goes active (internally). When it detects a write to the COPROC\_ERR register (I/O Register F0h), the ICH7 negates the internal IRQ13 and drives IGNNE# active. IGNNE# remains active until FERR# is driven inactive. IGNNE# is not driven active unless FERR# is active.



Figure 5-7. Coprocessor Error Timing Diagram



If COPROC\_ERR\_EN is not set, the assertion of FERR# will have not generate an internal IRQ13, nor will the write to F0h generate IGNNE#.

### 5.13.1.4 NMI (Non-Maskable Interrupt)

Non-Maskable Interrupts (NMIs) can be generated by several sources, as described in Table 5-23.

Table 5-23. NMI Sources

Cause of NMI	Comment
SERR# goes active (either internally, externally via SERR# signal, or via message from (G)MCH)	Can instead be routed to generate an SCI, through the NMI2SCI_EN bit (Device 31:Function 0, TCO Base + 08h, bit 11).
IOCHK# goes active via SERIRQ# stream (ISA system Error)	Can instead be routed to generate an SCI, through the NMI2SCI_EN bit (Device 31:Function 0, TCO Base + 08h, bit 11).

### 5.13.1.5 Stop Clock Request and CPU Sleep (STPCLK# and CPUSLP#)

The ICH7 power management logic controls these active-low signals. Refer to Section 5.14 for more information on the functionality of these signals.

**Note:** CPU Sleep (CPUSLP#) is supported only on desktop platforms.

### 5.13.1.6 CPU Power Good (CPUPWRGOOD)

This signal is connected to the processor’s PWRGOOD input. This signal represents a logical AND of the ICH7’s PWROK and VRMPWRGD signals.

### 5.13.1.7 Deeper Sleep (DPSLP#) (Mobile/Ultra Mobile Only)

This active-low signal controls the internal gating of the processor’s core clock. This signal asserts before and deasserts after the STP\_CPU# signal to effectively stop the processor’s clock (internally) in the states in which STP\_CPU# can be used to stop the processor’s clock externally.



## 5.13.2 Dual-Processor Issues (Desktop Only)

### 5.13.2.1 Signal Differences

In dual-processor designs, some of the processor signals are unused or used differently than for uniprocessor designs.

Table 5-24. DP Signal Differences

Signal	Difference
A20M# / A20GATE	Generally not used, but still supported by Intel® ICH7.
STPCLK#	Used for S1 State as well as preparation for entry to S3–S5 Also allows for THERM# based throttling (not via ACPI control methods). Should be connected to both processors.
FERR# / IGNNE#	Generally not used, but still supported by ICH7.

### 5.13.2.2 Power Management

For multiple-processor (or Multiple-core) configurations in which more than one Stop Grant cycle may be generated, the (G)MCH is expected to count Stop Grant cycles and only pass the last one through to the ICH7. This prevents the ICH7 from getting out of sync with the processor on multiple STPCLK# assertions.

Because the S1 state will have the STPCLK# signal active, the STPCLK# signal can be connected to both processors. However, for ACPI implementations, the BIOS must indicate that the ICH7 only supports the C1 state for dual-processor designs.

In going to the S1 state for desktop, multiple Stop-Grant cycles will be generated by the processors. The ICH7 also has the option to assert the processor's SLP# signal (CPUSLP#). It is assumed that prior to setting the SLP\_EN bit (which causes the transition to the S1 state), the processors will not be executing code that is likely to delay the Stop-Grant cycles.

In going to the S3, S4, or S5 states, the system will appear to pass through the S1 state; thus, STPCLK# and SLP# are also used. During the S3, S4, and S5 states, both processors will lose power. Upon exit from those states, the processors will have their power restored.





## 5.14 Power Management (D31:F0)

### 5.14.1 Features

- Support for *Advanced Configuration and Power Interface, Version 2.0 (ACPI)* providing power and thermal management
  - ACPI 24-Bit Timer
  - Software initiated throttling of processor performance for Thermal and Power Reduction
  - Hardware Override to throttle processor performance if system too hot
  - SCI and SMI# Generation
- PCI PME# signal for Wake Up from Low-Power states
- System Clock Control
  - (Mobile/Ultra Mobile Only) ACPI C2 state: Stop Grant (using STPCLK# signal) halts processor's instruction stream
  - (Mobile/Ultra Mobile Only) ACPI C3 State: Ability to halt processor clock (but not memory clock)
  - (Mobile/Ultra Mobile Only) ACPI C4 State: Ability to lower processor voltage.
  - (Mobile/Ultra Mobile Only) CLKRUN# Protocol for PCI Clock Starting/Stopping
- System Sleep State Control
  - ACPI S1 state: Stop Grant (using STPCLK# signal) halts processor's instruction stream (only STPCLK# active, and CPUSLP# optional)
  - ACPI S3 state — Suspend to RAM (STR)
  - ACPI S4 state — Suspend-to-Disk (STD)
  - ACPI G2/S5 state — Soft Off (SOFF)
  - Power Failure Detection and Recovery
- Streamlined Legacy Power Management for APM-Based Systems

### 5.14.2 Intel® ICH7 and System Power States

Table 5-25 shows the power states defined for ICH7-based platforms. The state names generally match the corresponding ACPI states.

**Table 5-25. General Power States for Systems Using Intel® ICH7 (Sheet 1 of 2)**

State/ Substates	Legacy Name / Description
G0/S0/C0	<b>Full On:</b> Processor operating. Individual devices may be shut down to save power. The different processor operating levels are defined by Cx states, as shown in Table 5-26. Within the C0 state, the Intel® ICH7 can throttle the processor using the STPCLK# signal to reduce power consumption. The throttling can be initiated by software or by the operating system or BIOS.
G0/S0/C1	<b>Auto-Halt:</b> Processor has executed an AutoHalt instruction and is not executing code. The processor snoops the bus and maintains cache coherency.
G0/S0/C2 (Mobile/Ultra Mobile Only)	<b>Stop-Grant:</b> The STPCLK# signal goes active to the processor. The processor performs a Stop-Grant cycle, halts its instruction stream, and remains in that state until the STPCLK# signal goes inactive. In the Stop-Grant state, the processor snoops the bus and maintains cache coherency.

Table 5-25. General Power States for Systems Using Intel® ICH7 (Sheet 2 of 2)

State/ Substates	Legacy Name / Description
G0/S0/C3 (Mobile/Ultra Mobile Only)	<b>Stop-Clock:</b> The STPCLK# signal goes active to the processor. The processor performs a Stop-Grant cycle, halts its instruction stream. ICH7 then asserts DPSLP# followed by STP_CPU#, which forces the clock generator to stop the processor clock. This is also used for Intel SpeedStep® technology support. Accesses to memory (by graphics, PCI, or internal units) is not permitted while in a C3 state.
G0/S0/C4 (Mobile/Ultra Mobile Only)	<b>Stop-Clock with Lower Processor Voltage:</b> This closely resembles the G0/S0/C3 state. However, after the ICH7 has asserted STP_CPU#, it then lowers the voltage to the processor. This reduces the leakage on the processor. Prior to exiting the C4 state, the ICH7 increases the voltage to the processor.
G1/S1	<b>Stop-Grant:</b> Similar to G0/S0/C2 state. ICH7 also has the option to assert the CPUSLP# signal to further reduce processor power consumption (Desktop only). Note: The behavior for this state is slightly different when supporting IA64 processors.
G1/S3	<b>Suspend-To-RAM (STR):</b> The system context is maintained in system DRAM, but power is shut off to non-critical circuits. Memory is retained, and refreshes continue. All clocks stop except RTC clock.
G1/S4	<b>Suspend-To-Disk (STD):</b> The context of the system is maintained on the disk. All power is then shut off to the system except for the logic required to resume.
G2/S5	<b>Soft Off (SOFF):</b> System context is not maintained. All power is shut off except for the logic required to restart. A full boot is required when waking.
G3	<b>Mechanical OFF (MOFF):</b> System context not maintained. All power is shut off except for the RTC. No "Wake" events are possible, because the system does not have any power. This state occurs if the user removes the batteries, turns off a mechanical switch, or if the system power supply is at a level that is insufficient to power the "waking" logic. When system power returns, transition will depend on the state just prior to the entry to G3 and the AFTERG3 bit in the GEN_PMC0N3 register (D31:F0, offset A4). Refer to Table 5-33 for more details.

Table 5-26 shows the transitions rules among the various states. Note that transitions among the various states may appear to temporarily transition through intermediate states. For example, in going from S0 to S1, it may appear to pass through the G0/S0/C2 states. These intermediate transitions and states are not listed in the table.



Table 5-26. State Transition Rules for Intel® ICH7

Present State	Transition Trigger	Next State
G0/S0/C0	<ul style="list-style-type: none"> <li>Processor halt instruction</li> <li>Level 2 Read</li> <li>Level 3 Read (Mobile/Ultra Mobile Only)</li> <li>Level 4 Read (Mobile/Ultra Mobile Only)</li> <li>SLP_EN bit set</li> <li>Power Button Override</li> <li>Mechanical Off/Power Failure</li> </ul>	<ul style="list-style-type: none"> <li>G0/S0/C1</li> <li>G0/S0/C2</li> <li>G0/S0/C2, G0/S0/C3 or G0/S0/C4 - depending on C4onC3_EN bit (D31:F0: Offset A0h: bit 7) and BM_STS_ZERO_EN bit (D31:F0: Offset A9h: bit 2) (Mobile/Ultra Mobile Only)</li> <li>G1/Sx or G2/S5 state</li> <li>G2/S5</li> <li>G3</li> </ul>
G0/S0/C1	<ul style="list-style-type: none"> <li>Any Enabled Break Event</li> <li>STPCLK# goes active</li> <li>Power Button Override</li> <li>Power Failure</li> </ul>	<ul style="list-style-type: none"> <li>G0/S0/C0</li> <li>G0/S0/C2</li> <li>G2/S5</li> <li>G3</li> </ul>
G0/S0/C2 (Mobile/ Ultra Mobile Only)	<ul style="list-style-type: none"> <li>Any Enabled Break Event</li> <li>Power Button Override</li> <li>Power Failure</li> <li>Previously in C3/C4 and bus masters idle</li> </ul>	<ul style="list-style-type: none"> <li>G0/S0/C0</li> <li>G2/S5</li> <li>G3</li> <li>C3 or C4 - depending on PDME bit (D31:F0: Offset A9h: bit 4)</li> </ul>
G0/S0/C3 (Mobile/ Ultra Mobile Only)	<ul style="list-style-type: none"> <li>Any Enabled Break Event</li> <li>Any Bus Master Event</li> <li>Power Button Override</li> <li>Power Failure</li> <li>Previously in C4 and bus masters idle</li> </ul>	<ul style="list-style-type: none"> <li>G0/S0/C0</li> <li>G0/S0/C2 - if PUME bit (D31:F0: Offset A9h: bit 3) is set, else G0/S0/C0</li> <li>G2/S5</li> <li>G3</li> <li>C4 - depending on PDME bit (D31:F0: Offset A9h: bit 4)</li> </ul>
G0/S0/C4 (Mobile/ Ultra Mobile Only)	<ul style="list-style-type: none"> <li>Any Enabled Break Event</li> <li>Any Bus Master Event</li> <li>Power Button Override</li> <li>Power Failure</li> </ul>	<ul style="list-style-type: none"> <li>G0/S0/C0</li> <li>G0/S0/C2 - if PUME bit (D31:F0: Offset A9h: bit 3) is set, else G0/S0/C0</li> <li>G2/S5</li> <li>G3</li> </ul>
G1/S1, G1/S3, or G1/S4	<ul style="list-style-type: none"> <li>Any Enabled Wake Event</li> <li>Power Button Override</li> <li>Power Failure</li> </ul>	<ul style="list-style-type: none"> <li>G0/S0/C0 (See Note 2)</li> <li>G2/S5</li> <li>G3</li> </ul>
G2/S5	<ul style="list-style-type: none"> <li>Any Enabled Wake Event</li> <li>Power Failure</li> </ul>	<ul style="list-style-type: none"> <li>G0/S0/C0 (See Note 2)</li> <li>G3</li> </ul>
G3	<ul style="list-style-type: none"> <li>Power Returns</li> </ul>	<ul style="list-style-type: none"> <li>Optional to go to S0/C0 (reboot) or G2/S5 (stay off until power button pressed or other wake event). (See Note 1 and 2)</li> </ul>

**NOTES:**

- Some wake events can be preserved through power failure.
- Transitions from the S1–S5 or G3 states to the S0 state are deferred until BATLOW# is inactive in mobile/Ultra Mobile configurations.

### 5.14.3 System Power Planes

The system has several independent power planes, as described in Table 5-27. Note that when a particular power plane is shut off, it should go to a 0 V level.

Table 5-27. System Power Plane

Plane	Controlled By	Description
CPU	SLP_S3# signal	<p>The SLP_S3# signal can be used to cut the power to the processor completely. For mobile/Ultra Mobile systems, the DPRSLPVR support allows lowering the processor's voltage during the C4 state.</p> <p>S3<sub>HOT</sub>: The new S3<sub>HOT</sub> state keeps more of the platform logic, including the Intel® ICH7 core well, powered to reduce the cost of external power plane logic. SLP_S3# is only used to remove power to the processor and to shut system clocks. This impacts the board design, but there is no specific ICH7 bit or strap needed to indicate which option is selected.</p>
MAIN	SLP_S3# signal (S3 <sub>COLD</sub> ) or SLP_S4# signal (S3 <sub>HOT</sub> )	<p>S3<sub>COLD</sub>: When SLP_S3# goes active, power can be shut off to any circuit not required to wake the system from the S3 state. Since the S3 state requires that the memory context be preserved, power must be retained to the main memory.</p> <p>The processor, devices on the PCI bus, LPC I/F, and graphics will typically be shut off when the Main power plane is shut, although there may be small subsections powered.</p> <p>S3<sub>HOT</sub>: SLP_S4# is used to cut the main power well, rather than using SLP_S3#. This impacts the board design, but there is no specific ICH7 bit or strap needed to indicate which option is selected.</p>
MEMORY	SLP_S4# signal SLP_S5# signal	<p>When the SLP_S4# goes active, power can be shut off to any circuit not required to wake the system from the S4. Since the memory context does not need to be preserved in the S4 state, the power to the memory can also be shut down.</p> <p>When SLP_S5# goes active, power can be shut to any circuit not required to wake the system from the S5 state. Since the memory context does not need to be preserved in the S5 state, the power to the memory can also be shut.</p>
DEVICE[n]	GPIO	Individual subsystems may have their own power plane. For example, GPIO signals may be used to control the power to disk drives, audio amplifiers, or the display screen.

### 5.14.4 SMI#/SCI Generation

On any SMI# event taking place, ICH7 asserts SMI# to the processor, which causes it to enter SMM space. SMI# remains active until the EOS bit is set. When the EOS bit is set, SMI# goes inactive for a minimum of 4 PCICLK. If another SMI event occurs, SMI# is driven active again.

The SCI is a level-mode interrupt that is typically handled by an ACPI-aware operating system. In non-APIC systems (which is the default), the SCI IRQ is routed to one of the 8259 interrupts (IRQ 9, 10, or 11). The 8259 interrupt controller must be programmed to level mode for that interrupt.



In systems using the APIC, the SCI can be routed to interrupts 9, 10, 11, 20, 21, 22, or 23. The interrupt polarity changes depending on whether it is on an interrupt shareable with a PIRQ or not (see [Section 10.1.14](#)). The interrupt remains asserted until all SCI sources are removed.

[Table 5-28](#) shows which events can cause an SMI# and SCI. Note that some events can be programmed to cause either an SMI# or SCI. The usage of the event for SCI (instead of SMI#) is typically associated with an ACPI-based system. Each SMI# or SCI source has a corresponding enable and status bit.

**Table 5-28. Causes of SMI# and SCI (Sheet 1 of 2)**

Cause <sup>1-5</sup>	SCI	SMI	Additional Enables	Where Reported
PME#	Yes	Yes	PME_EN=1	PME_STS
PME_B0 (internal EHCI controller)	Yes	Yes	PME_B0_EN=1	PME_B0_STS
PCI Express* PME Messages (Desktop and Mobile)	Yes	Yes	PCI_EXP_EN=1 (Not enabled for SMI)	PCI_EXP_STS
PCI Express Hot Plug Message (Desktop and Mobile)	Yes	Yes	HOT_PLUG_EN=1 (Not enabled for SMI)	HOT_PLUG_STS
Power Button Press	Yes	Yes	PWRBTN_EN=1	PWRBTN_STS
Power Button Override <sup>6</sup> )	Yes	No	None	PRBTNOR_STS
RTC Alarm	Yes	Yes	RTC_EN=1	RTC_STS
Ring Indicate	Yes	Yes	RI_EN=1	RI_STS
AC '97 wakes (Desktop and Mobile)	Yes	Yes	AC97_EN=1	AC97_STS
USB#1 wakes	Yes	Yes	USB1_EN=1	USB1_STS
USB#2 wakes	Yes	Yes	USB2_EN=1	USB2_STS
USB#3 wakes	Yes	Yes	USB3_EN=1	USB3_STS
USB#4 wakes	Yes	Yes	USB4_EN=1	USB4_STS
THRM# pin active	Yes	Yes	THRM_EN=1	THRM_STS
ACPI Timer overflow (2.34 sec.)	Yes	Yes	TMROF_EN=1	TMROF_STS
Any GPI <sup>7</sup>	Yes	Yes	GPI[x]_Route=10 (SCI) GPI[x]_Route=01 (SMI) GPE0[x]_EN=1	GPI[x]_STS GPE0_STS
TCO SCI Logic	Yes	No	TCOSCI_EN=1	TCOSCI_STS
TCO SCI message from (G)MCH	Yes	No	none	MCHSCI_STS
TCO SMI Logic	No	Yes	TCO_EN=1	TCO_STS
TCO SMI — Year 2000 Rollover	No	Yes	none	NEWCENTURY_STS
TCO SMI — TCO TIMEROUT	No	Yes	none	TIMEOUT
TCO SMI — OS writes to TCO_DAT_IN register	No	Yes	none	OS_TCO_SMI
TCO SMI — Message from (G)MCH	No	Yes	none	MCHSMI_STS



Table 5-28. Causes of SMI# and SCI (Sheet 2 of 2)

Cause <sup>1-5</sup>	SCI	SMI	Additional Enables	Where Reported
TCO SMI — NMI occurred (and NMIs mapped to SMI)	No	Yes	NMI2SMI_EN=1	NMI2SMI_STS
TCO SMI — INTRUDER# signal goes active	No	Yes	INTRD_SEL=10	INTRD_DET
TCO SMI — Change of the BIOSWP bit from 0 to 1	No	Yes	BLD=1	BIOSWR_STS
TCO SMI — Write attempted to BIOS	No	Yes	BIOSWP=1	BIOSWR_STS
BIOS_RLS written to	Yes	No	GBL_EN=1	GBL_STS
GBL_RLS written to	No	Yes	BIOS_EN=1	BIOS_STS
Write to B2h register	No	Yes	APMC_EN = 1	APM_STS
Periodic timer expires	No	Yes	PERIODIC_EN=1	PERIODIC_STS
64 ms timer expires	No	Yes	SWSMI_TMR_EN=1	SWSMI_TMR_STS
Enhanced USB Legacy Support Event	No	Yes	LEGACY_USB2_EN = 1	LEGACY_USB2_STS
Enhanced USB Intel Specific Event	No	Yes	INTEL_USB2_EN = 1	INTEL_USB2_STS
UHCI USB Legacy logic	No	Yes	LEGACY_USB_EN=1	LEGACY_USB_STS
Serial IRQ SMI reported	No	Yes	none	SERIRQ_SMI_STS
Device monitors match address in its range	No	Yes	none	DEVMON_STS, DEVACT_STS
SMBus Host Controller	No	Yes	SMB_SMI_EN Host Controller Enabled	SMBus host status reg.
SMBus Slave SMI message	No	Yes	none	SMBUS_SMI_STS
SMBus SMBALERT# signal active	No	Yes	none	SMBUS_SMI_STS
SMBus Host Notify message received	No	Yes	HOST_NOTIFY_INTREN	SMBUS_SMI_STS HOST_NOTIFY_STS
(Mobile/Ultra Mobile Only) BATLOW# assertion	Yes	Yes	BATLOW_EN=1.	BATLOW_STS
Access microcontroller 62h/66h	No	Yes	MCSMI_EN	MCSMI_STS
SLP_EN bit written to 1	No	Yes	SMI_ON_SLP_EN=1	SMI_ON_SLP_EN_STS

**NOTES:**

1. SCI\_EN must be 1 to enable SCI. SCI\_EN must be 0 to enable SMI.
2. SCI can be routed to cause interrupt 9:11 or 20:23 (20:23 only available in APIC mode).
3. GBL\_SMI\_EN must be 1 to enable SMI.
4. EOS must be written to 1 to re-enable SMI for the next 1.
5. IICH7 must have SMI# fully enabled when ICH7 is also enabled to trap cycles. If SMI# is not enabled in conjunction with the trap enabling, then hardware behavior is undefined.
6. When a power button override first occurs, the system will transition immediately to S5. The SCI will only occur after the next wake to S0 if the residual status bit (PRBTNOR\_STS) is not cleared prior to setting SCI\_EN.
7. Only GPI[15:0] may generate an SMI# or SCI.



#### 5.14.4.1 PCI Express\* SCI (Desktop and Mobile Only)

PCI Express ports and the (G)MCH (via DMI) have the ability to cause PME using messages. When a PME message is received, the ICH7 will set the PCI\_EXP\_STS bit. If the PCI\_EXP\_EN bit is also set, the ICH7 can cause an SCI via the GPE1\_STS register.

#### 5.14.4.2 PCI Express\* Hot-Plug (Desktop and Mobile Only)

PCI Express has a Hot-Plug mechanism and is capable of generating a SCI via the GPE1 register. It is also capable of generating an SMI. However, it is not capable of generating a wake event.

### 5.14.5 Dynamic Processor Clock Control

The ICH7 has extensive control for dynamically starting and stopping system clocks. The clock control is used for transitions among the various S0/Cx states, and processor throttling. Each dynamic clock control method is described in this section. The various sleep states may also perform types of non-dynamic clock control.

The ICH7 supports the ACPI C0 and C1 states (in desktop) or C0, C1, C2, C3 and C4 (in mobile/Ultra Mobile) states.

The Dynamic Processor Clock control is handled using the following signals:

- STPCLK#: Used to halt processor instruction stream.
- (Mobile/Ultra Mobile Only) STP\_CPU#: Used to stop processor's clock
- (Mobile/Ultra Mobile Only) DPSLP#: Used to force Deeper Sleep for processor.
- (Mobile/Ultra Mobile Only) DPRSLPVR: Used to lower voltage of VRM during C4 state.
- (Mobile/Ultra Mobile Only) DPRSTP#: Used to lower voltage of VRM during C4 state

The C1 state is entered based on the processor performing an auto halt instruction.

(Mobile/Ultra Mobile Only) The C2 state is entered based on the processor reading the Level 2 register in the ICH7. It can also be entered from C3 or C4 states if bus masters require snoops and the PUME bit (D31:F0: Offset A9h: bit 3) is set.

(Mobile/Ultra Mobile Only) The C3 state is entered based on the processor reading the Level 3 register in the ICH7 and when the C4onC3\_EN bit is clear (D31:F0: Offset A0: bit 7). This state can also be entered after a temporary return to C2 from a prior C3 or C4 state.

(Mobile/Ultra Mobile Only) The C4 state is entered based on the processor reading the Level 4 register in the ICH7, or by reading the Level 3 register when the C4onC3\_EN bit is set. This state can also be entered after a temporary return to C2 from a prior C4 state.

A C1 state in desktop only or a C1, C2, C3, or C4 state in mobile/Ultra Mobile only ends due to a Break event. Based on the break event, the ICH7 returns the system to C0 state.

(Mobile/Ultra Mobile Only) [Table 5-29](#) lists the possible break events from C2, C3, or C4. The break events from C1 are indicated in the processor's datasheet.

**Table 5-29. Break Events (Mobile/Ultra Mobile Only)**

Event	Breaks from	Comment
Any unmasked interrupt goes active	C2, C3, C4	IRQ[0:15] when using the 8259s, IRQ[0:23] for I/O APIC. Since SCI is an interrupt, any SCI will also be a break event.
Any internal event that cause an NMI or SMI#	C2, C3, C4	Many possible sources
Any internal event that cause INIT# to go active	C2, C3, C4	Could be indicated by the keyboard controller via the RCIN input signal.
Any bus master request (internal, external or DMA, or BM_BUSY#) goes active and BM_RLD=1 (D31:F0:Offset PMBASE+04h: bit 1)	C3, C4	Need to wake up processor so it can do snoops <b>NOTE:</b> If the PUME bit (D31:F0: Offset A9h: bit 3) is set, then bus master activity will NOT be treated as a break event. Instead, there will be a return only to the C2 state.
Processor Pending Break Event Indication	C2, C3, C4	Only available if FERR# enabled for break event indication (See FERR# Mux Enable in GCS, Chipset Config Registers: Offset 3410h: bit 6)

#### 5.14.5.1 Transition Rules among S0/Cx and Throttling States

The following priority rules and assumptions apply among the various S0/Cx and throttling states:

- Entry to any S0/Cx state is mutually exclusive with entry to any S1–S5 state. This is because the processor can only perform one register access at a time and Sleep states have higher priority than thermal throttling.
- When the SLP\_EN bit is set (system going to a S1–S5 sleep state), the THTL\_EN and FORCE\_THTL bits can be internally treated as being disabled (no throttling while going to sleep state).
- (Mobile/Ultra Mobile Only) If the THTL\_EN or FORCE\_THTL bits are set, and a Level 2, Level 3, or Level 4 read then occurs, the system should immediately go and stay in a C2, C3, or C4 state until a break event occurs. A Level 2, Level 3, or Level 4 read has higher priority than the software initiated throttling.
- (Mobile/Ultra Mobile Only) After an exit from a C2, C3, or C4 state (due to a Break event), and if the THTL\_EN or FORCE\_THTL bits are still set the system will continue to throttle STPCLK#. Depending on the time of break event, the first transition on STPCLK# active can be delayed by up to one THRM period (1024 PCI clocks = 30.72  $\mu$ s).
- The Host controller must post Stop-Grant cycles in such a way that the processor gets an indication of the end of the special cycle prior to the ICH7 observing the Stop-Grant cycle. This ensures that the STPCLK# signals stays active for a sufficient period after the processor observes the response phase.
- (Mobile/Ultra Mobile Only) If in the C1 state and the STPCLK# signal goes active, the processor will generate a Stop-Grant cycle, and the system should go to the C2 state. When STPCLK# goes inactive, it should return to the C1 state.





#### 5.14.5.2 Deferred C3/C4 (Mobile/Ultra Mobile Only)

Due to the new DMI protocol, if there is any bus master activity (other than true isoch), then the C0-to-C3 transition will pause at the C2 state. ICH7 will keep the processor in a C2 state until:

- ICH7 does not detect bus master activity.
- A break event occurs. In this case, the ICH7 will perform the C2 to C0 sequence. Note that bus master traffic is not a break event in this case.

To take advantage of the Deferred C3/C4 mode, the BM\_STS\_ZERO\_EN bit must be set. This will cause the BM\_STS bit to read as 0 even if some bus master activity is present. If this is not done, then the software may avoid even attempting to go to the C3 or C4 state if it sees the BM\_STS bit as 1.

If the PUME bit (D31:F0: Offset A9h: bit 3) is 0, then the ICH7 will treat bus master activity as a break event. When reaching the C2 state, if there is any bus master activity, the ICH7 will return the processor to a C0 state.

#### 5.14.5.3 POPUP (Auto C3/C4 to C2) (Mobile/Ultra Mobile Only)

When the PUME bit (D31:F0: Offset A9h: bit 3) is set, the ICH7 enables a mode of operation where standard (non-isoch) bus master activity will not be treated as a full break event from the C3 or C4 states. Instead, these will be treated merely as bus master events and return the platform to a C2 state, and thus allow snoops to be performed.

After returning to the C2 state, the bus master cycles will be sent to the (G)MCH, even if the ARB\_DIS bit is set.

#### 5.14.5.4 POPDOWN (Auto C2 to C3/C4) (Mobile/Ultra Mobile Only)

After returning to the C2 state from C3/C4, if the PDME bit (D31:F0: Offset A9h: bit 4) is set, the platform can return to a C3 or C4 state (depending on where it was prior to going back up to C2). This behaves similar to the Deferred C3/C4 transition, and will keep the processor in a C2 state until:

- Bus masters are no longer active.
- A break event occurs. Note that bus master traffic is not a break event in this case.

#### 5.14.6 Dynamic PCI Clock Control (Mobile/Ultra Mobile Only)

The PCI clock can be dynamically controlled independent of any other low-power state. This control is accomplished using the CLKRUN# protocol as described in the *PCI Mobile Design Guide*, and is transparent to software.

The Dynamic PCI Clock control is handled using the following signals:

- CLKRUN#: Used by PCI and LPC peripherals to request the system PCI clock to run
- STP\_PCI#: Used to stop the system PCI clock

**Note:** The 33 MHz clock to the ICH7 is “free-running” and is not affected by the STP\_PCI# signal.

#### 5.14.6.1 Conditions for Checking the PCI Clock

When there is a lack of PCI activity the ICH7 has the capability to stop the PCI clocks to conserve power. "PCI activity" is defined as any activity that would require the PCI clock to be running.

Any of the following conditions will indicate that it is **not okay** to stop the PCI clock:

- Cycles on PCI or LPC
- Cycles of any internal device that would need to go on the PCI bus
- SERIRQ activity

#### Behavioral Description

- When there is a lack of activity (as defined above) for 29 PCI clocks, the ICH7 deasserts (drive high) CLKRUN# for 1 clock and then tri-states the signal.

#### 5.14.6.2 Conditions for Maintaining the PCI Clock

PCI masters or LPC devices that wish to maintain the PCI clock running will observe the CLKRUN# signal deasserted, and then must re-assert if (drive it low) within 3 clocks.

- When the ICH7 has tri-stated the CLKRUN# signal after deasserting it, the ICH7 then checks to see if the signal has been re-asserted (externally).
- After observing the CLKRUN# signal asserted for 1 clock, the ICH7 again starts asserting the signal.
- If an internal device needs the PCI bus, the ICH7 asserts the CLKRUN# signal.

#### 5.14.6.3 Conditions for Stopping the PCI Clock

- If no device re-asserts CLKRUN# once it has been deasserted for at least 6 clocks, the ICH7 stops the PCI clock by asserting the STP\_PCI# signal to the clock synthesizer.

#### 5.14.6.4 Conditions for Re-Starting the PCI Clock

- A peripheral asserts CLKRUN# to indicate that it needs the PCI clock re-started.
- When the ICH7 observes the CLKRUN# signal asserted for 1 (free running) clock, the ICH7 deasserts the STP\_PCI# signal to the clock synthesizer within 4 (free running) clocks.
- Observing the CLKRUN# signal asserted externally for 1 (free running) clock, the ICH7 again starts driving CLKRUN# asserted.

If an internal source requests the clock to be re-started, the ICH7 re-asserts CLKRUN#, and simultaneously deasserts the STP\_PCI# signal.

#### 5.14.6.5 LPC Devices and CLKRUN# (Mobile and Ultra Mobile Only)

If an LPC device (of any type) needs the 33 MHz PCI clock, such as for LPC DMA (Mobile only) or LPC serial interrupt, then it can assert CLKRUN#. Note that LPC devices running DMA or bus master cycles will not need to assert CLKRUN#, since the ICH7 asserts it on their behalf.

The LDRQ# inputs are ignored by the ICH7 when the PCI clock is stopped to the LPC devices in order to avoid misinterpreting the request. The ICH7 assumes that only one more rising PCI clock edge occurs at the LPC device after the assertion of STP\_PCI#. Upon deassertion of STP\_PCI#, the ICH7 assumes that the LPC device receives its first clock rising edge corresponding to the ICH7's second PCI clock rising edge after the deassertion.



## 5.14.7 Sleep States

### 5.14.7.1 Sleep State Overview

The ICH7 directly supports different sleep states (S1–S5) that are entered by setting the SLP\_EN bit, or due to a Power Button press. The entry to the Sleep states are based on several assumptions:

- Entry to a Cx state is mutually exclusive with entry to a Sleep state. This is because the processor can only perform one register access at a time. A request to Sleep has higher priority than throttling.
- Prior to setting the SLP\_EN bit, the software turns off processor-controlled throttling. Note that thermal throttling cannot be disabled, but setting the SLP\_EN bit disables thermal throttling (since S1–S5 sleep state has higher priority).
- The G3 state cannot be entered via any software mechanism. The G3 state indicates a complete loss of power.

### 5.14.7.2 Initiating Sleep State

Sleep states (S1–S5) are initiated by:

- Masking interrupts, turning off all bus master enable bits, setting the desired type in the SLP\_TYP field, and then setting the SLP\_EN bit. The hardware then attempts to gracefully put the system into the corresponding Sleep state.
- Pressing the PWRBTN# Signal for more than 4 seconds to cause a Power Button Override event. In this case the transition to the S5 state is less graceful, since there are no dependencies on observing Stop-Grant cycles from the processor or on clocks other than the RTC clock.

**Table 5-30. Sleep Types**

Sleep Type	Comment
S1	Intel® ICH7 asserts the STPCLK# signal. It also has the option to assert CPUSLP# signal (only supported on desktop platforms). This lowers the processor's power consumption. No snooping is possible in this state.
S3	ICH7 asserts SLP_S3#. The SLP_S3# signal controls the power to non-critical circuits. Power is only retained to devices needed to wake from this sleeping state, as well as to the memory.
S4	ICH7 asserts SLP_S3# and SLP_S4#. The SLP_S4# signal shuts off the power to the memory subsystem. Only devices needed to wake from this state should be powered.
S5	Same power state as S4. ICH7 asserts SLP_S3#, SLP_S4# and SLP_S5#.

### 5.14.7.3 Exiting Sleep States

Sleep states (S1–S5) are exited based on Wake events. The Wake events forces the system to a full on state (S0), although some non-critical subsystems might still be shut off and have to be brought back manually. For example, the hard disk may be shut off during a sleep state, and have to be enabled via a GPIO pin before it can be used.

Upon exit from the ICH7-controlled Sleep states, the WAK\_STS bit is set. The possible causes of Wake Events (and their restrictions) are shown in [Table 5-31](#).

**Note:** (Mobile/Ultra Mobile Only) If the BATLOW# signal is asserted, ICH7 does not attempt to wake from an S1–S5 state, even if the power button is pressed. This prevents the system from waking when the battery power is insufficient to wake the system. Wake events that occur while BATLOW# is asserted are latched by the ICH7, and the system wakes after BATLOW# is de-asserted.

Table 5-31. Causes of Wake Events

Cause	States Can Wake From <sup>1</sup>	How Enabled
RTC Alarm	S1–S5 <sup>2</sup>	Set RTC_EN bit in PM1_EN register
Power Button	S1–S5	Always enabled as Wake event
GPI[0:15]	S1–S5 <sup>2</sup>	GPE0_EN register <b>NOTE:</b> GPIs that are in the core well are not capable of waking the system from sleep states where the core well is not powered.
Classic USB	S1–S5	Set USB1_EN, USB 2_EN, USB3_EN, and USB4_EN bits in GPE0_EN register
LAN (Desktop and Mobile only)	S1–S5	Will use PME#. Wake enable set with LAN logic.
RI#	S1–S5 <sup>2</sup>	Set RI_EN bit in GPE0_EN register
AC '97 / Intel <sup>®</sup> High Definition Audio	S1–S5 <sup>2</sup>	Set AC97_EN bit in GPE0_EN register
Primary PME#	S1–S5	PME_B0_EN bit in GPE0_EN register
Secondary PME#	S1–S5	Set PME_EN bit in GPE0_EN register.
PCI_EXP_WAKE# (Desktop and Mobile only)	S1–S5	PCI_EXP_WAKE bit <sup>3</sup>
PCI_EXP PME Message (Desktop and Mobile only)	S1	Must use the PCI Express* WAKE# pin rather than messages for wake from S3, S4, or S5.
SMBALERT#	S1–S5	Always enabled as Wake event
SMBus Slave Message	S1–S5	Wake/SMI# command always enabled as a Wake event. Note: SMBus Slave Message can wake the system from S1–S5, as well as from S5 due to Power Button Override.
SMBus Host Notify message received	S1–S5	HOST_NOTIFY_WKEN bit SMBus Slave Command register. Reported in the SMB_WAK_STS bit in the GPE0_STS register.

**NOTES:**

1. If in the S5 state due to a powerbutton override or THRMTRIP#, the possible wake events are due to Power Button, Hard Reset Without Cycling (See Command Type 3 in [Table 5-55](#)), and Hard Reset System (See Command Type 4 in [Table 5-55](#)).
2. This is a wake event from S5 only if the sleep state was entered by setting the SLP\_EN and SLP\_TYP bits via software, or if there is a power failure.
3. When the WAKE# pin is active and the PCI Express device is enabled to wake the system, the ICH7 will wake the platform.



It is important to understand that the various GPIs have different levels of functionality when used as wake events. The GPIs that reside in the core power well can only generate wake events from sleep states where the core well is powered. Also, only certain GPIs are “ACPI Compliant,” meaning that their Status and Enable bits reside in ACPI I/O space. Table 5-32 summarizes the use of GPIs as wake events.

**Table 5-32. GPI Wake Events**

GPI	Power Well	Wake From	Notes
GPI[12, 7:0]	Core	S1	ACPI Compliant
GPI[15:13, 11:8]	Resume	S1–S5	ACPI Compliant

The latency to exit the various Sleep states varies greatly and is heavily dependent on power supply design, so much so that the exit latencies due to the ICH7 are insignificant.

#### 5.14.7.4 PCI Express\* WAKE# Signal and PME Event Message (Desktop and Mobile only)

PCI Express ports can wake the platform from any sleep state (S1, S3, S4, or S5) using the WAKE# pin. WAKE# is treated as a wake event, but does not cause any bits to go active in the GPE\_STS register.

PCI Express ports and the (G)MCH (via DMI) have the ability to cause PME using messages. When a PME message is received, ICH7 will set the PCI\_EXP\_STS bit.

#### 5.14.7.5 Sx-G3-Sx, Handling Power Failures

Depending on when the power failure occurs and how the system is designed, different transitions could occur due to a power failure.

The AFTER\_G3 bit provides the ability to program whether or not the system should boot once power returns after a power loss event. If the policy is to not boot, the system remains in an S5 state (unless previously in S4). There are only three possible events that will wake the system after a power failure.

- PWRBTN#:** PWRBTN# is always enabled as a wake event. When RSMRST# is low (G3 state), the PWRBTN\_STS bit is reset. When the ICH7 exits G3 after power returns (RSMRST# goes high), the PWRBTN# signal is already high (because V<sub>CC</sub>-standby goes high before RSMRST# goes high) and the PWRBTN\_STS bit is 0.
- RI#:** RI# does not have an internal pull-up. Therefore, if this signal is enabled as a wake event, it is important to keep this signal powered during the power loss event. If this signal goes low (active), when power returns the RI\_STS bit is set and the system interprets that as a wake event.
- RTC Alarm:** The RTC\_EN bit is in the RTC well and is preserved after a power loss. Like PWRBTN\_STS the RTC\_STS bit is cleared when RSMRST# goes low.

The ICH7 monitors both PWROK and RSMRST# to detect for power failures. If PWROK goes low, the PWROK\_FLR bit is set. If RSMRST# goes low, PWR\_FLR is set.

**Note:** Although PME\_EN is in the RTC well, this signal cannot wake the system after a power loss. PME\_EN is cleared by RTCRST#, and PME\_STS is cleared by RSMRST#.

**Table 5-33. Transitions Due to Power Failure**

State at Power Failure	AFTERG3_EN bit	Transition When Power Returns
S0, S1, S3	1	S5
	0	S0
S4	1	S4
	0	S0
S5	1	S5
	0	S0

## 5.14.8 Thermal Management

The ICH7 has mechanisms to assist with managing thermal problems in the system.

### 5.14.8.1 THRM# Signal

The THRM# signal is used as a status input for a thermal sensor. Based on the THRM# signal going active, the ICH7 generates an SMI# or SCI (depending on SCI\_EN).

If the THRM\_POL bit is set low, when the THRM# signal goes low, the THRM\_STS bit will be set. This is an indicator that the thermal threshold has been exceeded. If the THRM\_EN bit is set, then when THRM\_STS goes active, either an SMI# or SCI will be generated (depending on the SCI\_EN bit being set).

The power management software (BIOS or ACPI) can then take measures to start reducing the temperature. Examples include shutting off unwanted subsystems, or halting the processor.

By setting the THRM\_POL bit to high, another SMI# or SCI can optionally be generated when the THRM# signal goes back high. This allows the software (BIOS or ACPI) to turn off the cooling methods.

**Note:** THRM# assertion does not cause a TCO event message in S3 or S4. The level of the signal is not reported in the heartbeat message.

### 5.14.8.2 Processor Initiated Passive Cooling

This mode is initiated by software setting the THTL\_EN (PMBASE+10h:bit 4) or FORCE\_THTL (PMBASE+10h:bit 8) bits.

Software sets the THTL\_DTY (PMBASE+10h:bits 3:1) or THRM\_DTY (PMBASE+10h:bits 7:5) bits to select throttle ratio and THTL\_EN or FORCE\_THTL bits to enable the throttling.

Throttling results in STPCLK# active for a minimum time of 12.5% and a maximum of 87.5%. The period is 1024 PCI clocks. Thus, the STPCLK# signal can be active for as little as 128 PCI clocks or as much as 896 PCI clocks. The actual slowdown (and cooling) of the processor depends on the instruction stream, because the processor is allowed to finish the current instruction. Furthermore, the ICH7 waits for the STOP-GRANT cycle before starting the count of the time the STPCLK# signal is active.



### 5.14.8.3 THRM# Override Software Bit

The FORCE\_THTL bit allows the BIOS to force passive cooling, independent of the ACPI software (which uses the THTL\_EN and THTL\_DTY bits). If this bit is set, the ICH7 starts throttling using the ratio in the THRM\_DTY field.

When this bit is cleared the ICH7 stops throttling, unless the THTL\_EN bit is set (indicating that ACPI software is attempting throttling).

If both the THTL\_EN and FORCE\_THTL bits are set, then the ICH7 should use the duty cycle defined by the THRM\_DTY field, not the THTL\_DTY field.

### 5.14.8.4 Active Cooling

Active cooling involves fans. The GPIO signals from the ICH7 can be used to turn on/off a fan.

## 5.14.9 Event Input Signals and Their Usage

The ICH7 has various input signals that trigger specific events. This section describes those signals and how they should be used.

### 5.14.9.1 PWRBTN# (Power Button)

The ICH7 PWRBTN# signal operates as a “Fixed Power Button” as described in the *Advanced Configuration and Power Interface, Version 2.0b*. PWRBTN# signal has a 16 ms de-bounce on the input. The state transition descriptions are included in [Table 5-34](#). Note that the transitions start as soon as the PWRBTN# is pressed (but after the debounce logic), and does not depend on when the Power Button is released.

**Note:** During the time that the SLP\_S4# signal is stretched for the minimum assertion width (if enabled), the Power Button is not a wake event. Refer to Power Button Override Function section below for further detail.

**Table 5-34. Transitions Due to Power Button**

Present State	Event	Transition/Action	Comment
S0/Cx	PWRBTN# goes low	SMI# or SCI generated (depending on SCI_EN)	Software typically initiates a Sleep state
S1–S5	PWRBTN# goes low	Wake Event. Transitions to S0 state	Standard wakeup
G3	PWRBTN# pressed	None	No effect since no power Not latched nor detected
S0–S4	PWRBTN# held low for at least 4 consecutive seconds	Unconditional transition to S5 state	No dependence on processor (e.g., Stop-Grant cycles) or any other subsystem



### Power Button Override Function

If PWRBTN# is observed active for at least four consecutive seconds, the state machine should unconditionally transition to the G2/S5 state, regardless of present state (S0–S4), even if PWROK is not active. In this case, the transition to the G2/S5 state should not depend on any particular response from the processor (e.g., a Stop-Grant cycle), nor any similar dependency from any other subsystem.

The PWRBTN# status is readable to check if the button is currently being pressed or has been released. The status is taken after the de-bounce, and is readable via the PWRBTN\_LVL bit.

**Note:** The 4-second PWRBTN# assertion should only be used if a system lock-up has occurred. The 4-second timer starts counting when the ICH7 is in a S0 state. If the PWRBTN# signal is asserted and held active when the system is in a suspend state (S1–S5), the assertion causes a wake event. Once the system has resumed to the S0 state, the 4-second timer starts.

**Note:** During the time that the SLP\_S4# signal is stretched for the minimum assertion width (if enabled by D31:F0:A4h bit 3), the Power Button is not a wake event. As a result, it is conceivable that the user will press and continue to hold the Power Button waiting for the system to awake. Since a 4-second press of the Power Button is already defined as an Unconditional Power down, the power button timer will be forced to inactive while the power-cycle timer is in progress. Once the power-cycle timer has expired, the Power Button awakes the system. Once the minimum SLP\_S4# power cycle expires, the Power Button must be pressed for another 4 to 5 seconds to create the Override condition to S5.

### Sleep Button

The *Advanced Configuration and Power Interface, Version 2.0b* defines an optional Sleep button. It differs from the power button in that it only is a request to go from S0 to S1–S4 (not S5). Also, in an S5 state, the Power Button can wake the system, but the Sleep Button cannot.

Although the ICH7 does not include a specific signal designated as a Sleep Button, one of the GPIO signals can be used to create a “Control Method” Sleep Button. See the *Advanced Configuration and Power Interface, Version 2.0b* for implementation details.

#### 5.14.9.2 RI# (Ring Indicator)

The Ring Indicator can cause a wake event (if enabled) from the S1–S5 states. [Table 5-35](#) shows when the wake event is generated or ignored in different states. If in the G0/S0/Cx states, the ICH7 generates an interrupt based on RI# active, and the interrupt will be set up as a Break event.

**Table 5-35. Transitions Due to RI# Signal**

Present State	Event	RI_EN	Event
S0	RI# Active	X	Ignored
S1–S5	RI# Active	0	Ignored
		1	Wake Event

**Note:** Filtering/Debounce on RI# will not be done in ICH7. It can be in modem or external.





#### 5.14.9.3 PME# (PCI Power Management Event)

The PME# signal comes from a PCI device to request that the system be restarted. The PME# signal can generate an SMI#, SCI, or optionally a Wake event. The event occurs when the PME# signal goes from high to low. No event is caused when it goes from low to high.

There is also an internal PME\_B0 bit. This is separate from the external PME# signal and can cause the same effect.

#### 5.14.9.4 SYS\_RESET# Signal

When the SYS\_RESET# pin is detected as active after the 16 ms debounce logic, the ICH7 attempts to perform a "graceful" reset, by waiting up to 25 ms for the SMBus to go idle. If the SMBus is idle when the pin is detected active, the reset occurs immediately; otherwise, the counter starts. If at any point during the count the SMBus goes idle the reset occurs. If, however, the counter expires and the SMBus is still active, a reset is forced upon the system even though activity is still occurring.

Once the reset is asserted, it remains asserted for 5 to 6 ms regardless of whether the SYSRESET# input remains asserted or not. It cannot occur again until SYS\_RESET# has been detected inactive after the debounce logic, and the system is back to a full S0 state with PLTRST# inactive. Note that if bit 3 of the CF9h I/O register is set then SYS\_RESET# will result in a full power cycle reset.

#### 5.14.9.5 THRMTRIP# Signal

If THRMTRIP# goes active, the processor is indicating an overheat condition, and the ICH7 immediately transitions to an S5 state. However, since the processor has overheated, it does not respond to the ICH7's STPCLK# pin with a stop grant special cycle. Therefore, the ICH7 does not wait for one. Immediately upon seeing THRMTRIP# low, the ICH7 initiates a transition to the S5 state, drive SLP\_S3#, SLP\_S4#, SLP\_S5# low, and set the CTS bit. The transition looks like a power button override.

It is extremely important that when a THRMTRIP# event occurs, the ICH7 power down immediately without following the normal S0 -> S5 path. This path may be taken in parallel, but ICH7 must immediately enter a power down state. It does this by driving SLP\_S3#, SLP\_S4#, and SLP\_S5# immediately after sampling THRMTRIP# active.

If the processor is running extremely hot and is heating up, it is possible (although very unlikely) that components around it, such as the ICH7, are no longer executing cycles properly. Therefore, if THRMTRIP# goes active, and the ICH7 is relying on state machine logic to perform the power down, the state machine may not be working, and the system will not power down.

The ICH7 follows this flow for THRMTRIP#.

1. At boot (PLTRST# low), THRMTRIP# ignored.
2. After power-up (PLTRST# high), if THRMTRIP# sampled active, SLP\_S3#, SLP\_S4#, and SLP\_S5# assert, and normal sequence of sleep machine starts.
3. Until sleep machine enters the S5 state, SLP\_S3#, SLP\_S4#, and SLP\_S5# stay active, even if THRMTRIP# is now inactive. This is the equivalent of "latching" the thermal trip event.
4. If S5 state reached, go to step #1, otherwise stay here. If the ICH7 does not reach S5, the ICH7 does not reboot until power is cycled.



During boot, THRMTRIP# is ignored until SLP\_S3#, PWROK, VRMPWRGD/VGATE, and PLTRST# are all '1'. During entry into a powered-down state (due to S3, S4, S5 entry, power cycle reset, etc.) THRMTRIP# is ignored until either SLP\_S3# = 0, or PWROK = 0, or VRMPWRGD/VGATE = 0.

**Note:**

A thermal trip event will:

- Set the AFTERG3\_EN bit
- Clear the PWRBTN\_STS bit
- Clear all the GPE0\_EN register bits
- Clear the SMB\_WAK\_STS bit only if SMB\_SAK\_STS was set due to SMBus slave receiving message and not set due to SMBAlert

#### 5.14.9.6 BM\_BUSY# (Mobile/Ultra Mobile Only)

The BM\_BUSY# signal is an input from a graphics component to indicate if it is busy. If prior to going to the C3 state, the BM\_BUSY# signal is active, then the BM\_STS bit will be set. If after going to the C3 state, the BM\_BUSY# signal goes back active, the ICH7 will treat this as if one of the PCI REQ# signals went active. This is treated as a break event.

#### 5.14.10 ALT Access Mode

Before entering a low power state, several registers from powered down parts may need to be saved. In the majority of cases, this is not an issue, as registers have read and write paths. However, several of the ISA compatible registers are either read only or write only. To get data out of write-only registers, and to restore data into read-only registers, the ICH7 implements an ALT access mode.

If the ALT access mode is entered and exited after reading the registers of the ICH7 timer (8254), the timer starts counting faster (13.5 ms). The following steps listed below can cause problems:

1. BIOS enters ALT access mode for reading the ICH7 timer related registers.
2. BIOS exits ALT access mode.
3. BIOS continues through the execution of other needed steps and passes control to the operating system.

After getting control in step #3, if the operating system does not reprogram the system timer again, the timer ticks may be happening faster than expected. For example DOS and its associated software assume that the system timer is running at 54.6 ms and as a result the time-outs in the software may be happening faster than expected.

Operating systems (e.g., Microsoft Windows\* 98, Windows\* 2000, and Windows NT\*) reprogram the system timer and therefore do not encounter this problem.

For some other loss (e.g., Microsoft MS-DOS\*) the BIOS should restore the timer back to 54.6 ms before passing control to the operating system. If the BIOS is entering ALT access mode before entering the suspend state it is not necessary to restore the timer contents after the exit from ALT access mode.



### 5.14.10.1 Write Only Registers with Read Paths in ALT Access Mode

The registers described in Table 5-36 have read paths in ALT access mode. The access number field in the table indicates which register will be returned per access to that port.

**Table 5-36. Write Only Registers with Read Paths in ALT Access Mode (Sheet 1 of 2)**

Restore Data				Restore Data			
I/O Addr	# of Rds	Access	Data	I/O Addr	# of Rds	Access	Data
00h	2	1	DMA Chan 0 base address low byte	40h	7	1	Timer Counter 0 status, bits [5:0]
		2	DMA Chan 0 base address high byte			2	Timer Counter 0 base count low byte
01h	2	1	DMA Chan 0 base count low byte			3	Timer Counter 0 base count high byte
		2	DMA Chan 0 base count high byte			4	Timer Counter 1 base count low byte
02h	2	1	DMA Chan 1 base address low byte			5	Timer Counter 1 base count high byte
		2	DMA Chan 1 base address high byte			6	Timer Counter 2 base count low byte
03h	2	1	DMA Chan 1 base count low byte			7	Timer Counter 2 base count high byte
		2	DMA Chan 1 base count high byte	41h	1	Timer Counter 1 status, bits [5:0]	
04h	2	1	DMA Chan 2 base address low byte	42h	1	Timer Counter 2 status, bits [5:0]	
		2	DMA Chan 2 base address high byte	70h	1	Bit 7 = NMI Enable, Bits [6:0] = RTC Address	
05h	2	1	DMA Chan 2 base count low byte	C4h	2	1	DMA Chan 5 base address low byte
		2	DMA Chan 2 base count high byte			2	DMA Chan 5 base address high byte
06h	2	1	DMA Chan 3 base address low byte	C6h	2	1	DMA Chan 5 base count low byte
		2	DMA Chan 3 base address high byte			2	DMA Chan 5 base count high byte
07h	2	1	DMA Chan 3 base count low byte	C8h	2	1	DMA Chan 6 base address low byte
		2	DMA Chan 3 base count high byte			2	DMA Chan 6 base address high byte



Table 5-36. Write Only Registers with Read Paths in ALT Access Mode (Sheet 2 of 2)

Restore Data				Restore Data				
I/O Addr	# of Rds	Access	Data	I/O Addr	# of Rds	Access	Data	
08h	6	1	DMA Chan 0–3 Command <sup>2</sup>	CAh	2	1	DMA Chan 6 base count low byte	
		2	DMA Chan 0–3 Request			2	DMA Chan 6 base count high byte	
		3	DMA Chan 0 Mode: Bits(1:0) = 00	CCh	2	1	DMA Chan 7 base address low byte	
		4	DMA Chan 1 Mode: Bits(1:0) = 01			2	DMA Chan 7 base address high byte	
		5	DMA Chan 2 Mode: Bits(1:0) = 10	CEh	2	1	DMA Chan 7 base count low byte	
		6	DMA Chan 3 Mode: Bits(1:0) = 11.			2	DMA Chan 7 base count high byte	
20h	12	1	PIC ICW2 of Master controller	D0h	6	1	DMA Chan 4–7 Command <sup>1</sup>	
		2	PIC ICW3 of Master controller			2	DMA Chan 4–7 Request	
		3	PIC ICW4 of Master controller			3	DMA Chan 4 Mode: Bits(1:0) = 00	
		4	PIC OCW1 of Master controller <sup>2</sup>			4	DMA Chan 5 Mode: Bits(1:0) = 01	
		5	PIC OCW2 of Master controller			5	DMA Chan 6 Mode: Bits(1:0) = 10	
		6	PIC OCW3 of Master controller			6	DMA Chan 7 Mode: Bits(1:0) = 11.	
		7	PIC ICW2 of Slave controller					
		8	PIC ICW3 of Slave controller					
		9	PIC ICW4 of Slave controller					
		10	PIC OCW1 of Slave controller <sup>1</sup>					
		11	PIC OCW2 of Slave controller					
		12	PIC OCW3 of Slave controller					

**NOTES:**

1. Bits 5, 3, 1, and 0 return 0.
2. The OCW1 register must be read before entering ALT access mode.



### 5.14.10.2 PIC Reserved Bits

Many bits within the PIC are reserved, and must have certain values written in order for the PIC to operate properly. Therefore, there is no need to return these values in ALT access mode. When reading PIC registers from 20h and A0h, the reserved bits shall return the values listed in [Table 5-37](#).

**Table 5-37. PIC Reserved Bits Return Values**

PIC Reserved Bits	Value Returned
ICW2(2:0)	000
ICW4(7:5)	000
ICW4(3:2)	00
ICW4(0)	0
OCW2(4:3)	00
OCW3(7)	0
OCW3(5)	Reflects bit 6
OCW3(4:3)	01

### 5.14.10.3 Read Only Registers with Write Paths in ALT Access Mode

The registers described in [Table 5-38](#) have write paths to them in ALT access mode. Software restores these values after returning from a powered down state. These registers must be handled special by software. When in normal mode, writing to the base address/count register also writes to the current address/count register. Therefore, the base address/count must be written first, then the part is put into ALT access mode and the current address/count register is written.

**Table 5-38. Register Write Accesses in ALT Access Mode**

I/O Address	Register Write Value
08h	DMA Status Register for channels 0–3.
D0h	DMA Status Register for channels 4–7.

## 5.14.11 System Power Supplies, Planes, and Signals

### 5.14.11.1 Power Plane Control with SLP\_S3#, SLP\_S4# and SLP\_S5#

The usage of SLP\_S3# and SLP\_S4# depends on whether the platform is configured for S3<sub>HOT</sub> and S3<sub>COLD</sub>.

#### S3<sub>HOT</sub>

The SLP\_S3# output signal is used to cut power only to the processor and associated subsystems and to optionally stop system clocks.

#### S3<sub>COLD</sub>

The SLP\_S3# output signal can be used to cut power to the system core supply, since it only goes active for the STR state (typically mapped to ACPI S3). Power must be maintained to the ICH7 resume well, and to any other circuits that need to generate Wake signals from the STR state.



Cutting power to the core may be done via the power supply, or by external FETs to the motherboard.

The SLP\_S4# or SLP\_S5# output signal can be used to cut power to the system core supply, as well as power to the system memory, since the context of the system is saved on the disk. Cutting power to the memory may be done via the power supply, or by external FETs to the motherboard.

The SLP\_S4# output signal is used to remove power to additional subsystems that are powered during SLP\_S3#.

SLP\_S5# output signal can be used to cut power to the system core supply, as well as power to the system memory, since the context of the system is saved on the disk. Cutting power to the memory may be done via the power supply, or by external FETs to the motherboard.

#### 5.14.11.2 SLP\_S4# and Suspend-To-RAM Sequencing

The system memory suspend voltage regulator is controlled by the Glue logic. The SLP\_S4# signal should be used to remove power to system memory rather than the SLP\_S5# signal. The SLP\_S4# logic in the ICH7 provides a mechanism to fully cycle the power to the DRAM and/or detect if the power is not cycled for a minimum time.

**Note:** To utilize the minimum DRAM power-down feature that is enabled by the SLP\_S4# Assertion Stretch Enable bit (D31:F0:A4h bit 3), the DRAM power must be controlled by the SLP\_S4# signal.

#### 5.14.11.3 PWROK Signal

The PWROK input should go active based on the core supply voltages becoming valid. PWROK should go active no sooner than 100 ms after Vcc3\_3 and Vcc1\_5 have reached their nominal values.

**Note:**

1. SYSRESET# is recommended for implementing the system reset button. This saves external logic that is needed if the PWROK input is used. Additionally, it allows for better handling of the SMBus and processor resets, and avoids improperly reporting power failures.
2. If the PWROK input is used to implement the system reset button, the ICH7 does not provide any mechanism to limit the amount of time that the processor is held in reset. The platform must externally ensure that maximum reset assertion specifications are met.
3. If a design has an active-low reset button electrically AND'd with the PWROK signal from the power supply and the processor's voltage regulator module the ICH7 PWROK\_FLR bit will be set. The ICH7 treats this internally as if the RSMRST# signal had gone active. However, it is not treated as a full power failure. If PWROK goes inactive and then active (but RSMRST# stays high), then the ICH7 reboots (regardless of the state of the AFTERG3 bit). If the RSMRST# signal also goes low before PWROK goes high, then this is a full power failure, and the reboot policy is controlled by the AFTERG3 bit.
4. PWROK and RSMRST# are sampled using the RTC clock. Therefore, low times that are less than one RTC clock period may not be detected by the ICH7.
5. In the case of true PWROK failure, PWROK goes low first before the VRMPWRGD.



#### 5.14.11.4 CPUPWRGD Signal

This signal is connected to the processor's VRM via the VRMPWRGD signal and is internally AND'd with the PWROK signal that comes from the system power supply.

#### 5.14.11.5 VRMPWRGD Signal

VRMPWRGD is an input from the regulator indicating that all of the outputs from the regulator are on and within specification. VRMPWRGD may go active before or after the PWROK from the main power supply. ICH7 has no dependency on the order in which these two signals go active or inactive.

#### 5.14.11.6 BATLOW# (Battery Low) (Mobile/Ultra Mobile Only)

The BATLOW# input can inhibit waking from S3, S4, and S5 states if there is not sufficient power. It also causes an SMI# if the system is already in an S0 state.

#### 5.14.11.7 Controlling Leakage and Power Consumption during Low-Power States

To control leakage in the system, various signals tri-state or go low during some low-power states.

General principles:

- All signals going to powered down planes (either internally or externally) must be either tri-stated or driven low.
- Signals with pull-up resistors should not be low during low-power states. This is to avoid the power consumed in the pull-up resistor.
- Buses should be halted (and held) in a known state to avoid a floating input (perhaps to some other device). Floating inputs can cause extra power consumption.

Based on the above principles, the following measures are taken:

- During S3 (STR), all signals attached to powered down planes are tri-stated or driven low.

### 5.14.12 Clock Generators

The clock generator is expected to provide the frequencies shown in Table 5-39.

Table 5-39. Intel® ICH7 Clock Inputs

Clock Domain	Frequency	Source	Usage
SATA_CLK (Desktop and Mobile Only)	100 MHz Differential	Main Clock Generator	Used by SATA controller. Stopped in S3 ~ S5 based on SLP_S3# assertion.
DMI_CLK	100 MHz Differential	Main Clock Generator	Used by DMI and PCI Express*. Stopped in S3 ~ S5 based on SLP_S3# assertion.
PCICLK	33 MHz	Main Clock Generator	Desktop Only: Free-running PCI Clock to Intel® ICH7. Stopped in S3 ~ S5 based on SLP_S3# assertion. Mobile Only: Free-running (not affected by STP_PCI# PCI Clock to ICH7. This is not the system PCI clock. This clock must keep running in S0 while the system PCI clock may stop based on CLKRUN# protocol. Stopped in S3 ~ S5 based on SLP_S3# assertion.
CLK48	48.000 MHz	Main Clock Generator	Used by USB controllers and Intel® High Definition Audio controller. Stopped in S3 ~ S5 based on SLP_S3# assertion.
CLK14	14.318 MHz	Main Clock Generator	Used by ACPI timers. Stopped in S3 ~ S5 based on SLP_S3# assertion.
ACZ_BIT_CLK (Desktop and Mobile)	12.288 MHz	AC '97 Codec	AC-link. Control policy is determined by the clock source. <b>NOTE:</b> Becomes clock output when Intel High Definition Audio is enabled.
LAN_CLK (Desktop and Mobile Only)	0.8 to 50 MHz	LAN Connect	LAN Connect Interface. Control policy is determined by the clock source.

#### 5.14.12.1 Clock Control Signals from Intel® ICH7 to Clock Synthesizer (Mobile/Ultra Mobile Only)

The clock generator is assumed to have a direct connection from the following ICH7 signals:

- STP\_CPU#: Stops processor clocks in C3 and C4 states
- STP\_PCI#: Stops system PCI clocks (not the ICH7 free-running 33 MHz clock) due to CLKRUN# protocol
- SLP\_S3#: Expected to drive clock chip PWRDOWN (through inverter), to stop clocks in S3<sub>HOT</sub> and on the way to S3<sub>COLD</sub> to S5.





### 5.14.13 Legacy Power Management Theory of Operation

Instead of relying on ACPI software, legacy power management uses BIOS and various hardware mechanisms. The scheme relies on the concept of detecting when individual subsystems are idle, detecting when the whole system is idle, and detecting when accesses are attempted to idle subsystems.

However, the operating system is assumed to be at least APM enabled. Without APM calls, there is no quick way to know when the system is idle between keystrokes. The ICH7 does not support burst modes.

#### 5.14.13.1 APM Power Management (Desktop Only)

The ICH7 has a timer that, when enabled by the 1MIN\_EN bit in the SMI Control and Enable register, generates an SMI# once per minute. The SMI handler can check for system activity by reading the DEVACT\_STS register. If none of the system bits are set, the SMI handler can increment a software counter. When the counter reaches a sufficient number of consecutive minutes with no activity, the SMI handler can then put the system into a lower power state.

If there is activity, various bits in the DEVACT\_STS register will be set. Software clears the bits by writing a 1 to the bit position.

The DEVACT\_STS register allows for monitoring various internal devices, or Super I/O devices (SP, PP, FDC) on LPC or PCI, keyboard controller accesses, or audio functions on LPC or PCI. Other PCI activity can be monitored by checking the PCI interrupts.

#### 5.14.13.2 Mobile APM Power Management (Mobile/Ultra Mobile Only)

In mobile/ultra mobile systems, there are additional requirements associated with device power management. To handle this, the ICH7 has specific SMI# traps available. The following algorithm is used:

1. The periodic SMI# timer checks if a device is idle for the required time. If so, it puts the device into a low-power state and sets the associated SMI# trap.
2. When software (not the SMI# handler) attempts to access the device, a trap occurs (the cycle does not really go to the device and an SMI# is generated).
3. The SMI# handler turns on the device and turns off the trap

The SMI# handler exits with an I/O restart. This allows the original software to continue.

## 5.15 System Management (D31:F0)

The ICH7 provides various functions to make a system easier to manage and to lower the Total Cost of Ownership (TCO) of the system. In addition, ICH7 provides integrated ASF Management support. Features and functions can be augmented via external A/D converters and GPIO, as well as an external microcontroller.

The following features and functions are supported by the ICH7:

- Processor present detection
  - Detects if processor fails to fetch the first instruction after reset
- Various Error detection (such as ECC Errors) Indicated by host controller
  - Can generate SMI#, SCI, SERR, NMI, or TCO interrupt
- Intruder Detect input
  - Can generate TCO interrupt or SMI# when the system cover is removed
  - INTRUDER# allowed to go active in any power state, including G3
- Detection of bad Firmware Hub programming
  - Detects if data on first read is FFh (indicates unprogrammed Firmware Hub)
- Ability to hide a PCI device
  - Allows software to hide a PCI device in terms of configuration space through the use of a device hide register (See [Section 7.1.56](#))
- Integrated ASF Management support (Desktop and Mobile Only)

**Note:** Voltage ID from the processor can be read via GPI signals.

### 5.15.1 Theory of Operation

The System Management functions are designed to allow the system to diagnose failing subsystems. The intent of this logic is that some of the system management functionality be provided without the aid of an external microcontroller.

#### 5.15.1.1 Detecting a System Lockup

When the processor is reset, it is expected to fetch its first instruction. If the processor fails to fetch the first instruction after reset, the TCO timer times out twice and the ICH7 asserts PLTRST#.

#### 5.15.1.2 Handling an Intruder

The ICH7 has an input signal, INTRUDER#, that can be attached to a switch that is activated by the system's case being open. This input has a two RTC clock debounce. If INTRUDER# goes active (after the debouncer), this will set the INTRD\_DET bit in the TCO\_STS register. The INTRD\_SEL bits in the TCO\_CNT register can enable the ICH7 to cause an SMI# or interrupt. The BIOS or interrupt handler can then cause a transition to the S5 state by writing to the SLP\_EN bit.

The software can also directly read the status of the INTRUDER# signal (high or low) by clearing and then reading the INTRD\_DET bit. This allows the signal to be used as a GPI if the intruder function is not required.



If the INTRUDER# signal goes inactive some point after the INTRD\_DET bit is written as a 1, then the INTRD\_DET signal will go to a 0 when INTRUDER# input signal goes inactive. Note that this is slightly different than a classic sticky bit, since most sticky bits would remain active indefinitely when the signal goes active and would immediately go inactive when a 1 is written to the bit.

**Note:** The INTRD\_DET bit resides in the ICH7's RTC well, and is set and cleared synchronously with the RTC clock. Thus, when software attempts to clear INTRD\_DET (by writing a 1 to the bit location) there may be as much as two RTC clocks (about 65  $\mu$ s) delay before the bit is actually cleared. Also, the INTRUDER# signal should be asserted for a minimum of 1 ms to ensure that the INTRD\_DET bit will be set.

**Note:** If the INTRUDER# signal is still active when software attempts to clear the INTRD\_DET bit, the bit remains set and the SMI is generated again immediately. The SMI handler can clear the INTRD\_SEL bits to avoid further SMIs. However, if the INTRUDER# signal goes inactive and then active again, there will not be further SMIs, since the INTRD\_SEL bits would select that no SMI# be generated.

### 5.15.1.3 Detecting Improper Firmware Hub Programming

The ICH7 can detect the case where the Firmware Hub is not programmed. This results in the first instruction fetched to have a value of FFh. If this occurs, the ICH7 sets the BAD\_BIOS bit, which can then be reported via the Heartbeat and Event reporting using an external, Alert on LAN\* enabled LAN controller (See [Section 5.15.2](#)).

## 5.15.2 Heartbeat and Event Reporting via SMBus (Desktop and Mobile Only)

The ICH7 integrated LAN controller supports ASF heartbeat and event reporting functionality when used with the 82562EM or 82562EX Platform LAN Connect component. This allows the integrated LAN controller to report messages to a network management console without the aid of the system processor. This is crucial in cases where the processor is malfunctioning or cannot function due to being in a low-power state.

All heartbeat and event messages are sent on the SMBus interface. This allows an external LAN controller to act upon these messages if the internal LAN controller is not used.

The basic scheme is for the ICH7 integrated LAN controller to send a prepared Ethernet message to a network management console. The prepared message is stored in the non-volatile EEPROM that is connected to the ICH7.

Messages are sent by the LAN controller either because a specific event has occurred, or they are sent periodically (also known as a heartbeat). The event and heartbeat messages have the exact same format. The event messages are sent based on events occurring. The heartbeat messages are sent every 30 to 32 seconds. When an event occurs, the ICH7 sends a new message and increments the SEQ[3:0] field. For heartbeat messages, the sequence number does not increment.



The following rules/steps apply if the system is in a G0 state and the policy is for the ICH7 **to reboot** the system after a hardware lockup:

1. On detecting the lockup, the SECOND\_TO\_STS bit is set. The ICH7 may send up to 1 Event message to the LAN controller. The ICH7 then attempts to reboot the processor.
2. If the reboot at step 1 is successful then the BIOS should clear the SECOND\_TO\_STS bit. This prevents any further Heartbeats from being sent. The BIOS may then perform addition recovery/boot steps. (See note 2, below.)
3. If the reboot attempt in step 1 is not successful, the timer will timeout a third time. At this point the system has locked up and was unsuccessful in rebooting. The ICH7 does not attempt to automatically reboot again. The ICH7 starts sending a message every heartbeat period (30–32 seconds). The heartbeats continue until some external intervention occurs (reset, power failure, etc.).
4. After step 3 (unsuccessful reboot after third timeout), if the user does a Power Button Override, the system goes to an S5 state. The ICH7 continues sending the messages every heartbeat period.
5. After step 4 (power button override after unsuccessful reboot) if the user presses the Power Button again, the system should wake to an S0 state and the processor should start executing the BIOS.
6. If step 5 (power button press) is successful in waking the system, the ICH7 continues sending messages every heartbeat period until the BIOS clears the SECOND\_TO\_STS bit. (See note 2)
7. If step 5 (power button press) is unsuccessful in waking the system, the ICH7 continues sending a message every heartbeat period. The ICH7 does not attempt to automatically reboot again. The ICH7 starts sending a message every heartbeat period (30–32 seconds). The heartbeats continue until some external intervention occurs (reset, power failure, etc.). (See note 3)
8. After step 3 (unsuccessful reboot after third timeout), if a reset is attempted (using a button that pulses PWROK low or via the message on the SMBus slave I/F), the ICH7 attempts to reset the system.
9. After step 8 (reset attempt) if the reset is successful, the BIOS is run. The ICH7 continues sending a message every heartbeat period until the BIOS clears the SECOND\_TO\_STS bit. (See note 2)
10. After step 8 (reset attempt), if the reset is unsuccessful, the ICH7 continues sending a message every heartbeat period. The ICH7 does not attempt to reboot the system again without external intervention. (See note 3)

The following rules/steps apply if the system is in a G0 state and the policy is for the ICH7 **to not reboot** the system after a hardware lockup.

1. On detecting the lockup the SECOND\_TO\_STS bit is set. The ICH7 sends a message with the Watchdog (WD) Event status bit set (and any other bits that must also be set). This message is sent as soon as the lockup is detected, and is sent with the next (incremented) sequence number.
2. After step 1, the ICH7 sends a message every heartbeat period until some external intervention occurs.
3. Rules/steps 4–10 apply if no user intervention (resets, power button presses, SMBus reset messages) occur after a third timeout of the watchdog timer. If the intervention occurs before the third timeout, then jump to rule/step 11.
4. After step 3 (third timeout), if the user does a Power Button Override, the system goes to an S5 state. The ICH7 continues sending heartbeats at this point.



5. After step 4 (power button override), if the user presses the power button again, the system should wake to an S0 state and the processor should start executing the BIOS.
6. If step 5 (power button press) is successful in waking the system, the ICH7 continues sending heartbeats until the BIOS clears the SECOND\_TO\_STS bit. (See note 2)
7. If step 5 (power button press) is unsuccessful in waking the system, the ICH7 continues sending heartbeats. The ICH7 does not attempt to reboot the system again until some external intervention occurs (reset, power failure, etc.). (See note 3)
8. After step 3 (third timeout), if a reset is attempted (using a button that pulses PWROK low or via the message on the SMBus slave I/F), the ICH7 attempts to reset the system.
9. If step 8 (reset attempt) is successful, the BIOS is run. The ICH7 continues sending heartbeats until the BIOS clears the SECOND\_TO\_STS bit. (See note 2)
10. If step 8 (reset attempt), is unsuccessful, the ICH7 continues sending heartbeats. The ICH7 does not attempt to reboot the system again without external intervention. **Note:** A system that has locked up and can not be restarted with power button press is probably broken (bad power supply, short circuit on some bus, etc.)
11. This and the following rules/steps apply if the user intervention (power button press, reset, SMBus message, etc.) occur prior to the third timeout of the watchdog timer.
12. After step 1 (second timeout), if the user does a Power Button Override, the system goes to an S5 state. The ICH7 continues sending heartbeats at this point.
13. After step 12 (power button override), if the user presses the power button again, the system should wake to an S0 state and the processor should start executing the BIOS.
14. If step 13 (power button press) is successful in waking the system, the ICH7 continues sending heartbeats until the BIOS clears the SECOND\_TO\_STS bit. (See note 2)
15. If step 13 (power button press) is unsuccessful in waking the system, the ICH7 continues sending heartbeats. The ICH7 does not attempt to reboot the system again until some external intervention occurs (reset, power failure, etc.). (See note 3)
16. After step 1 (second timeout), if a reset is attempted (using a button that pulses PWROK low or via the message on the SMBus slave I/F), the ICH7 attempts to reset the system.
17. If step 16 (reset attempt) is successful, the BIOS is run. The ICH7 continues sending heartbeats until the BIOS clears the SECOND\_TO\_STS bit. (See note 2)
18. If step 16 (reset attempt), is unsuccessful, the ICH7 continues sending heartbeats. The ICH7 does not attempt to reboot the system again without external intervention. (See note 3)

If the system is in a G1 (S1–S4) state, the ICH7 sends a heartbeat message every 30–32 seconds. If an event occurs prior to the system being shutdown, the ICH7 immediately sends an event message with the next incremented sequence number. After the event message, the ICH7 resumes sending heartbeat messages.



**Note:** Notes for previous two numbered lists.

1. Normally, the ICH7 does not send heartbeat messages while in the G0 state (except in the case of a lockup). However, if a hardware event (or heartbeat) occurs just as the system is transitioning into a G0 state, the hardware continues to send the message even though the system is in a G0 state (and the status bits may indicate this).

These messages are sent via the SMBus. The ICH7 abides by the SMBus rules associated with collision detection. It delays starting a message until the bus is idle, and detects collisions. If a collision is detected the ICH7 waits until the bus is idle, and tries again.

2. **WARNING:** It is important the BIOS clears the SECOND\_TO\_STS bit, as the alerts interfere with the LAN device driver from working properly. The alerts reset part of the LAN controller and would prevent an operating system's device driver from sending or receiving some messages.
3. A system that has locked up and can not be restarted with power button press is assumed to have broken hardware (bad power supply, short circuit on some bus, etc.), and is beyond ICH7's recovery mechanisms.
4. A spurious alert could occur in the following sequence:
  - The processor has initiated an alert using the SEND\_NOW bit
  - During the alert, the THRM#, INTRUDER# or GPIO11 changes state
  - The system then goes to a non-S0 state.

Once the system transitions to the non-S0 state, it may send a single alert with an incremental SEQUENCE number.

5. An inaccurate alert message can be generated in the following scenario
  - The system successfully boots after a second watchdog Timeout occurs.
  - PWROK goes low (typically due to a reset button press) or a power button override occurs (before the SECOND\_TO\_STS bit is cleared).
  - An alert message indicating that the processor is missing or locked up is generated with a new sequence number.

Table 5-40 shows the data included in the Alert on LAN messages.

**Table 5-40. Heartbeat Message Data (Sheet 1 of 2)**

Field	Comment
Cover Tamper Status	1 = This bit is set if the intruder detect bit is set (INTRD_DET).
Temp Event Status	1 = This bit is set if the Intel® ICH7 THERM# input signal is asserted.
Processor Missing Event Status	1 = This bit is set if the processor failed to fetch its first instruction.
TCO Timer Event Status	1 = This bit is set when the TCO timer expires.
Software Event Status	1 = This bit is set when software writes a 1 to the SEND_NOW bit.
Unprogrammed Firmware Hub Event Status	1 = First BIOS fetch returned a value of FFh, indicating that the Firmware Hub has not yet been programmed (still erased).
GPIO Status	1 = This bit is set when GPIO11 signal is high. 0 = This bit is cleared when GPIO11 signal is low. An event message is triggered on an transition of GPIO11.



Table 5-40. Heartbeat Message Data (Sheet 2 of 2)

Field	Comment
SEQ[3:0]	This is a sequence number. It initially is 0, and increments each time the ICH7 sends a new message. Upon reaching 1111, the sequence number rolls over to 0000. MSB (SEQ3) sent first.
System Power State	00 = G0, 01 = G1, 10 = G2, 11 = Pre-Boot. MSB sent first
MESSAGE1	Will be the same as the MESSAGE1 Register. MSB sent first.
MESSAGE2	Will be the same as the MESSAGE2 Register. MSB sent first.
WDSTATUS	Will be the same as the WDSTATUS Register. MSB sent first.

## 5.16 IDE Controller (D31:F1)

The ICH7 IDE controller features one sets of interface signals that can be enabled, tri-stated or driven low.

The IDE interfaces of the ICH7 can support several types of data transfers:

- **Programmed I/O (PIO):** Processor is in control of the data transfer.
- **8237 style DMA:** DMA protocol that resembles the DMA on the ISA bus, although it does not use the 8237 in the ICH7. This protocol off loads the processor from moving data. This allows higher transfer rate of up to 16 MB/s.
- **Ultra ATA/33:** DMA protocol that redefines signals on the IDE cable to allow both host and target throttling of data and transfer rates of up to 33 MB/s.
- **Ultra ATA/66:** DMA protocol that redefines signals on the IDE cable to allow both host and target throttling of data and transfer rates of up to 66 MB/s.
- **Ultra ATA/100:** DMA protocol that redefines signals on the IDE cable to allow both host and target throttling of data and transfer rates of up to 100 MB/s.

**Note:** ICH7-U Ultra Mobile only supports one IDE device.

### 5.16.1 PIO Transfers

The ICH7 IDE controller includes both compatible and fast timing modes. The fast timing modes can be enabled only for the IDE data ports. All other transactions to the IDE registers are run in single transaction mode with compatible timings.

Up to two IDE devices may be attached to the IDE connector (drive 0 and drive 1); one device (connector drive 0) on ICH7-U Ultra Mobile. The IDE\_TIMP and IDE\_TIMS Registers permit different timing modes to be programmed for drive 0 and drive 1 of the same connector.

The Ultra ATA/33/66/100 synchronous DMA timing modes can also be applied to each drive by programming the IDE I/O Configuration register and the Synchronous DMA Control and Timing registers. When a drive is enabled for synchronous DMA mode operation, the DMA transfers are executed with the synchronous DMA timings. The PIO transfers are executed using compatible timings or fast timings if also enabled.

### 5.16.1.1 PIO IDE Timing Modes

IDE data port transaction latency consists of startup latency, cycle latency, and shutdown latency. Startup latency is incurred when a PCI master cycle targeting the IDE data port is decoded and the DA[2:0] and CSxx# lines are not set up. Startup latency provides the setup time for the DA[2:0] and CSxx# lines prior to assertion of the read and write strobes (DIOR# and DIOW#).

Cycle latency consists of the I/O command strobe assertion length and recovery time. Recovery time is provided so that transactions may occur back-to-back on the IDE interface (without incurring startup and shutdown latency) without violating minimum cycle periods for the IDE interface. The command strobe assertion width for the enhanced timing mode is selected by the IDE\_TIM Register and may be set to 2, 3, 4, or 5 PCI clocks. The recovery time is selected by the IDE\_TIM Register and may be set to 1, 2, 3, or 4 PCI clocks.

If IORDY is asserted when the initial sample point is reached, no wait-states are added to the command strobe assertion length. If IORDY is negated when the initial sample point is reached, additional wait-states are added. Since the rising edge of IORDY must be synchronized, at least two additional PCI clocks are added.

Shutdown latency is incurred after outstanding scheduled IDE data port transactions (either a non-empty write post buffer or an outstanding read prefetch cycles) have completed and before other transactions can proceed. It provides hold time on the DA[2:0] and CSxx# lines with respect to the read and write strobes (DIOR# and DIOW#). Shutdown latency is two PCI clocks in duration.

The IDE timings for various transaction types are shown in [Table 5-41](#).

**Table 5-41. IDE Transaction Timings (PCI Clocks)**

IDE Transaction Type	Startup Latency	IORDY Sample Point (ISP)	Recovery Time (RCT)	Shutdown Latency
Non-Data Port Compatible	4	11	22	2
Data Port Compatible	3	6	14	2
Fast Timing Mode	2	2–5	1–4	2

### 5.16.1.2 IORDY Masking

The IORDY signal can be ignored and assumed asserted at the first IORDY Sample Point (ISP) on a drive by drive basis via the IDETIM Register.

### 5.16.1.3 PIO 32-Bit IDE Data Port Accesses

A 32-bit PCI transaction run to the IDE data address (01F0h primary) results in two back to back 16-bit transactions to the IDE data port. The 32-bit data port feature is enabled for all timings, not just enhanced timing. For compatible timings, a shutdown and startup latency is incurred between the two, 16-bit halves of the IDE transaction. This ensures that the chip selects are deasserted for at least two PCI clocks between the two cycles.





#### 5.16.1.4 PIO IDE Data Port Prefetching and Posting

The ICH7 can be programmed via the IDETIM registers to allow data to be posted to and prefetched from the IDE data ports.

Data prefetching is initiated when a data port read occurs. The read prefetch eliminates latency to the IDE data ports and allows them to be performed back to back for the highest possible PIO data transfer rates. The first data port read of a sector is called the demand read. Subsequent data port reads from the sector are called prefetch reads. The demand read and all prefetch reads must be of the same size (16 or 32 bits) – software must not mix 32-bit and 16-bit reads.

Data posting is performed for writes to the IDE data ports. The transaction is completed on the PCI bus after the data is received by the ICH7. The ICH7 then runs the IDE cycle to transfer the data to the drive. If the ICH7 write buffer is non-empty and an unrelated (non-data or opposite channel) IDE transaction occurs, that transaction will be stalled until all current data in the write buffer is transferred to the drive. Only 16-bit buffer writes are supported.

### 5.16.2 Bus Master Function

The ICH7 can act as a PCI Bus master on behalf of an IDE device. One PCI Bus master channel is provided for the IDE connector. By performing the IDE data transfer as a PCI Bus master, the ICH7 off-loads the processor and improves system performance in multitasking environments. For Desktop and Mobile, both devices attached to the connector can be programmed for bus master transfers, but only one device can be active at a time.

#### 5.16.2.1 Physical Region Descriptor Format

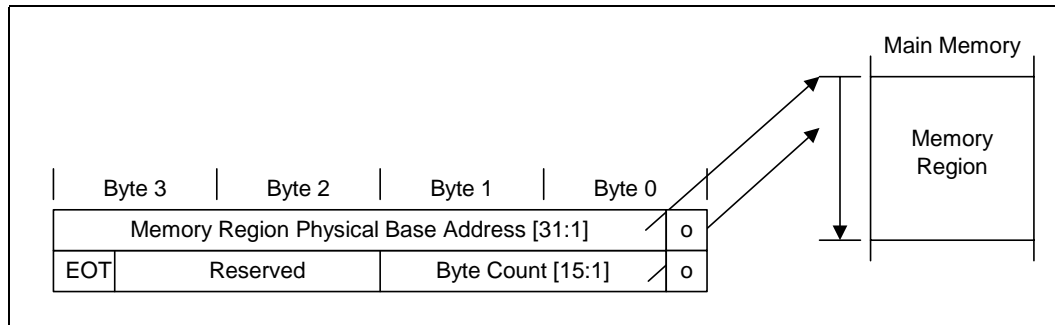
The physical memory region to be transferred is described by a Physical Region Descriptor (PRD). The PRDs are stored sequentially in a Descriptor Table in memory. The data transfer proceeds until all regions described by the PRDs in the table have been transferred.

Descriptor Tables must not cross a 64-KB boundary. Each PRD entry in the table is 8 bytes in length. The first 4 bytes specify the byte address of a physical memory region. This memory region must be DWord-aligned and must not cross a 64-KB boundary. The next two bytes specify the size or transfer count of the region in bytes (64-KB limit per region). A value of 0 in these two bytes indicates 64-KB (thus the minimum transfer count is 1). If bit 7 (EOT) of the last byte is a 1, it indicates that this is the final PRD in the Descriptor table. Bus master operation terminates when the last descriptor has been retired.

When the Bus Master IDE controller is reading data from the memory regions, bit 1 of the Base Address is masked and byte enables are asserted for all read transfers. When writing data, bit 1 of the Base Address is not masked and if set, will cause the lower Word byte enables to be deasserted for the first DWord transfer. The write to PCI typically consists of a 32-byte cache line. If valid data ends prior to end of the cache line, the byte enables will be deasserted for invalid data.

The total sum of the byte counts in every PRD of the descriptor table must be equal to or greater than the size of the disk transfer request. If greater than the disk transfer request, the driver must terminate the bus master transaction (by setting bit 0 in the Bus Master IDE Command Register to 0) when the drive issues an interrupt to signal transfer completion.

Figure 5-8. Physical Region Descriptor Table Entry



### 5.16.2.2 Bus Master IDE Timings

The timing modes used for Bus Master IDE transfers are identical to those for PIO transfers. The DMA Timing Enable Only bits in IDE Timing register can be used to program fast timing mode for DMA transactions only. This is useful for IDE devices whose DMA transfer timings are faster than its PIO transfer timings. The IDE device DMA request signal is sampled on the same PCI clock that DIOR# or DIOW# is deasserted. If inactive, the DMA Acknowledge signal is deasserted on the next PCI clock and no more transfers take place until DMA request is asserted again.

### 5.16.2.3 Interrupts

The ICH7 can generate interrupts based upon a signal coming from the PATA device, or due to the completion of a PRD with the 'I' bit set. The interrupt is edge triggered and active high. The PATA host controller generates IDEIRQ.

When the ICH7 IDE controller is operating independently from the SATA controller (D31:F2), IDEIRQ will generate IRQ14. When operating in conjunction with the SATA controller (combined mode), IDE interrupts will still generate IDEIRQ, but this may in turn generate either IRQ14 or IRQ15, depending upon the value of the MAP.MV (D31:F2:90h:bits 1:0) register. When in combined mode and the SATA controller is emulating the logical secondary channel (MAP.MV = 1h), the PATA channel will emulate the logical primary channel and IDEIRQ will generate IRQ14. Conversely, if the SATA controller in combined mode is emulating the logical primary channel (MAP.MV=2h), IDEIRQ will generate IRQ15.

**Note:** IDE interrupts cannot be communicated through PCI devices or the serial IRQ stream.

**Note:** The combined mode is not supported on ICH7-U Ultra Mobile. ICH7-U does not contain a SATA controller.



#### 5.16.2.4 Bus Master IDE Operation

To initiate a bus master transfer between memory and an IDE device, the following steps are required:

1. Software prepares a PRD table in system memory. The PRD table must be DWord-aligned and must not cross a 64-KB boundary.
2. Software provides the starting address of the PRD Table by loading the PRD Table Pointer Register. The direction of the data transfer is specified by setting the Read/Write Control bit. The interrupt bit and Error bit in the Status register are cleared.
3. Software issues the appropriate DMA transfer command to the disk device.
4. The bus master function is engaged by software writing a 1 to the Start bit in the Command Register. The first entry in the PRD table is fetched and loaded into two registers which are not visible by software, the Current Base and Current Count registers. These registers hold the current value of the address and byte count loaded from the PRD table. The value in these registers is only valid when there is an active command to an IDE device.
5. Once the PRD is loaded internally, the IDE device will receive a DMA acknowledge.
6. The controller transfers data to/from memory responding to DMA requests from the IDE device. The IDE device and the host controller may or may not throttle the transfer several times. When the last data transfer for a region has been completed on the IDE interface, the next descriptor is fetched from the table. The descriptor contents are loaded into the Current Base and Current Count registers.
7. At the end of the transfer, the IDE device signals an interrupt.
8. In response to the interrupt, software resets the Start/Stop bit in the command register. It then reads the controller status followed by the drive status to determine if the transfer completed successfully.

The last PRD in a table has the End of List (EOL) bit set. The PCI bus master data transfers terminate when the physical region described by the last PRD in the table has been completely transferred. The active bit in the Status Register is reset and the DDRQ signal is masked.

The buffer is flushed (when in the write state) or invalidated (when in the read state) when a terminal count condition exists; that is, the current region descriptor has the EOL bit set and that region has been exhausted. The buffer is also flushed (write state) or invalidated (read state) when the Interrupt bit in the Bus Master IDE Status register is set. Software that reads the status register and finds the Error bit reset, and either the Active bit reset or the Interrupt bit set, can be assured that all data destined for system memory has been transferred and that data is valid in system memory. [Table 5-42](#) describes how to interpret the Interrupt and Active bits in the Status Register after a DMA transfer has started.

**Table 5-42. Interrupt/Active Bit Interaction Definition**

Interrupt	Active	Description
0	1	DMA transfer is in progress. No interrupt has been generated by the IDE device.
1	0	The IDE device generated an interrupt. The controller exhausted the Physical Region Descriptors. This is the normal completion case where the size of the physical memory regions was equal to the IDE device transfer size.
1	1	The IDE device generated an interrupt. The controller has not reached the end of the physical memory regions. This is a valid completion case where the size of the physical memory regions was larger than the IDE device transfer size.
0	0	This bit combination signals an error condition. If the Error bit in the status register is set, then the controller has some problem transferring data to/from memory. Specifics of the error have to be determined using bus-specific information. If the Error bit is not set, then the PRD's specified a smaller size than the IDE transfer size.

### 5.16.2.5 Error Conditions

IDE devices are sector based mass storage devices. The drivers handle errors on a sector basis; either a sector is transferred successfully or it is not. A sector is 512 bytes.

If the IDE device does not complete the transfer due to a hardware or software error, the command will eventually be stopped by the driver setting Command Start bit to 0 when the driver times out the disk transaction. Information in the IDE device registers help isolate the cause of the problem.

If the controller encounters an error while doing the bus master transfers it will stop the transfer (i.e., reset the Active bit in the Command register) and set the Error bit in the Bus Master IDE Status register. The controller does not generate an interrupt when this happens. The device driver can use device specific information (PCI Configuration Space Status register and IDE Drive Register) to determine what caused the error.

Whenever a requested transfer does not complete properly, information in the IDE device registers (Sector Count) can be used to determine how much of the transfer was completed and to construct a new PRD table to complete the requested operation. In most cases the existing PRD table can be used to complete the operation.

### 5.16.3 Ultra ATA/100/66/33 Protocol

The ICH7 supports Ultra ATA/100/66/33 bus mastering protocol, providing support for a variety of transfer speeds with IDE devices. Ultra ATA/33 provides transfers up to 33 MB/s, Ultra ATA/66 provides transfers at up to 44 MB/s or 66 MB/s, and Ultra ATA/100 can achieve read transfer rates up to 100 MB/s and write transfer rates up to 88.9 MB/s.

The Ultra ATA/100/66/33 definition also incorporates a Cyclic Redundancy Checking (CRC-16) error checking protocol.



### 5.16.3.1 Operation

Initial setup programming consists of enabling and performing the proper configuration of the ICH7 and the IDE device for Ultra ATA/100/66/33 operation. For the ICH7, this consists of enabling synchronous DMA mode and setting up appropriate Synchronous DMA timings.

When ready to transfer data to or from an IDE device, the Bus Master IDE programming model is followed. Once programmed, the drive and ICH7 control the transfer of data via the Ultra ATA/100/66/33 protocol. The actual data transfer consists of three phases, a start-up phase, a data transfer phase, and a burst termination phase.

The IDE device begins the start-up phase by asserting DMARQ signal. When ready to begin the transfer, the ICH7 asserts DMACK# signal. When DMACK# signal is asserted, the host controller drives CS0# and CS1# inactive, DA0–DA2 low. For write cycles, the ICH7 deasserts STOP, waits for the IDE device to assert DMARDY#, and then drives the first data word and STROBE signal. For read cycles, the ICH7 tri-states the DD lines, deasserts STOP, and asserts DMARDY#. The IDE device then sends the first data word and STROBE.

The data transfer phase continues the burst transfers with the data transmitter (ICH7 – writes, IDE device – reads) providing data and toggling STROBE. Data is transferred (latched by receiver) on each rising and falling edge of STROBE. The transmitter can pause the burst by holding STROBE high or low, resuming the burst by again toggling STROBE. The receiver can pause the burst by deasserting DMARDY# and resumes the transfers by asserting DMARDY#. The ICH7 pauses a burst transaction to prevent an internal line buffer over or under flow condition, resuming once the condition has cleared. It may also pause a transaction if the current PRD byte count has expired, resuming once it has fetched the next PRD.

The current burst can be terminated by either the transmitter or receiver. A burst termination consists of a Stop Request, Stop Acknowledge and transfer of CRC data. The ICH7 can stop a burst by asserting STOP, with the IDE device acknowledging by deasserting DMARQ. The IDE device stops a burst by deasserting DMARQ and the ICH7 acknowledges by asserting STOP. The transmitter then drives the STROBE signal to a high level. The ICH7 then drives the CRC value onto the DD lines and deassert DMACK#. The IDE device latches the CRC value on rising edge of DMACK#. The ICH7 terminates a burst transfer if it needs to service the opposite IDE channel, if a Programmed I/O (PIO) cycle is executed to the IDE channel currently running the burst, or upon transferring the last data from the final PRD.

#### 5.16.4 Ultra ATA/33/66/100 Timing

The timings for Ultra ATA/33/66/100 modes are programmed via the Synchronous DMA Timing register and the IDE Configuration register. Different timings can be programmed for each drive in the system. The Base Clock frequency for each drive is selected in the IDE Configuration register. The Cycle Time (CT) and Ready to Pause (RP) time (defined as multiples of the Base Clock) are programmed in the Synchronous DMA Timing Register. The Cycle Time represents the minimum pulse width of the data strobe (STROBE) signal. The Ready to Pause time represents the number of Base Clock periods that the ICH7 waits from deassertion of DMARDY# to the assertion of STOP when it desires to stop a burst read transaction.

**Note:** The internal Base Clock for Ultra ATA/100 (Mode 5) runs at 133 MHz, and the Cycle Time (CT) must be set for three Base Clocks. The ICH7 thus toggles the write strobe signal every 22.5 ns, transferring two bytes of data on each strobe edge. This means that the ICH7 performs Mode 5 write transfers at a maximum rate of 88.9 MB/s. For read transfers, the read strobe is driven by the ATA/100 device, and the ICH7 supports reads at the maximum rate of 100 MB/s.

#### 5.16.5 ATA Swap Bay

To support PATA swap bay, the ICH7 allows the IDE output signals to be tri-stated and input buffers to be turned off. This should be done prior to the removal of the drive. The output signals can also be driven low. This can be used to remove charge built up on the signals. Configuration bits are included in the IDE I/O Configuration register, offset 54h in the IDE PCI configuration space.

In a PATA swap bay operation, an IDE device is removed and a new one inserted while the IDE interface is powered down and the rest of the system is in a fully powered-on state (SO). During a PATA swap bay operation, if the operating system executes cycles to the IDE interface after it has been powered down it will cause the ICH7 to hang the system that is waiting for IORDY to be asserted from the drive.

To correct this issue, the following BIOS procedures are required for performing an IDE swap:

1. Program IDE SIG\_MODE (Configuration register at offset 54h) to 10b (drive low mode).
2. Clear IORDY Sample Point Enable (bits 1 or 5 of IDE Timing reg.). This prevents the ICH7 from waiting for IORDY assertion when the operating system accesses the IDE device after the IDE drive powers down, and ensures that 0s are always be returned for read cycles that occur during swap operation.

**Warning:** Software should **not** attempt to control the outputs (either tri-state or driving low), while an IDE transfer is in progress. Unpredictable results could occur, including a system lockup.

#### 5.16.6 SMI Trapping

Device 31:Function 1: Offset C0h (see [Section 15.1.26](#)) contain control for generating SMI# on accesses to the IDE I/O spaces. These bits map to the legacy ranges (1F0–1F7h and 3F6h). Accesses to one of these ranges with the appropriate bit set causes the cycle to not be forwarded to the IDE controller, and for an SMI# to be generated. If an access to the Bus-Master IDE registers occurs while trapping is enabled for the device being accessed, then the register is updated, an SMI# is generated, and the device activity status bits (Device 31:Function 1:Offset C4h) are updated indicating that a trap occurred.



## 5.17 SATA Host Controller (D31:F2) (Desktop and Mobile Only)

The SATA function in the ICH7 has dual modes of operation to support different operating system conditions. In the case of Native IDE enabled operating systems, the ICH7 has separate PCI functions for serial and parallel ATA (“enhanced mode”). To support legacy operating systems, there is only one PCI function for both the serial and parallel ATA ports if functionality from both SATA and PATA devices is desired (“combined mode”).

The MAP register, [Section 12.1.33](#), provides the ability to share PCI functions. When sharing is enabled, all decode of I/O is done through the SATA registers. Device 31, Function 1 (IDE controller) is hidden by software writing to the Function Disable Register (D31, F0, offset F2h, bit 1), and its configuration registers are not used.

The ICH7 SATA controller features four (desktop only) / two (mobile only) sets of interface signals (ports) that can be independently enabled or disabled (they cannot be tri-stated or driven low). Each interface is supported by an independent DMA controller.

The ICH7 SATA controller interacts with an attached mass storage device through a register interface that is equivalent to that presented by a traditional IDE host adapter. The host software follows existing standards and conventions when accessing the register interface and follows standard command protocol conventions.

[Table 5-43](#) lists ICH7 SATA Feature support information. [Table 5-44](#) contains descriptions for the SATA features listed in [Table 5-43](#).

**Note:** SATA interface transfer rates are independent of UDMA mode settings. SATA interface transfer rates will operate at the bus’s maximum speed, regardless of the UDMA mode reported by the SATA device or the system BIOS.

**Table 5-43. SATA Features Support in Intel® ICH7**

Feature	ICH7 & ICH7-M (AHCI/RAID Disabled)	ICH7 & ICH7-M (AHCI/RAID Enabled)
Native Command Queing (NCQ)	N/A	Supported
Auto Activate for DMA	N/A	Supported
Hot Plug Support	N/A	Supported
Asynchronous Signal Recovery	N/A	Supported
3 Gb/s Transfer Rate	Supported (Desktop Only)	Supported (Desktop Only)
ATAPI Asynchronous Notification	N/A	Supported
Host Initiated Power Management	N/A	Supported (Mobile Only)
Staggered Spin-Up	Supported	Supported
Command Completion Coalescing	N/A	N/A
Port Multiplier	N/A	N/A
External SATA	N/A	N/A

Table 5-44. SATA Feature Description

Feature	Description
Native Command Queing (NCQ)	Allows the device to reorder commands for more efficient data transfers
Auto Activate for DMA	Collapses a DMA Setup then DMA Activate sequence into a DMA Setup only
Hot Plug Support	Allows for device detection without power being applied and ability to connect and disconnect devices without prior notification to the system
Asynchronous Signal Recovery	Provides a recovery from a loss of signal or establishing communication after hot plug
3 Gb/s Transfer Rate	Capable of data transfers up to 3Gb/s
ATAPI Asynchronous Notification	A mechanism for a device to send a notification to the host that the device requires attention
Host Initiated Power Management	Capability for the host controller to request Partial and Slumber interface power states
Staggered Spin-Up	Enables the host the ability to spin up hard drives sequentially to prevent power load problems on boot
Command Completion Coalescing	Reduces interrupt and completion overhead by allowing a specified number of commands to complete and then generating an interrupt to process the commands
Port Multiplier	A mechanism for one active host connection to communicate with multiple devices
External SATA	Technology that allows for an outside the box connection of up to 2 meters (when using the cable defined in SATA-IO)

## 5.17.1 Theory of Operation

### 5.17.1.1 Standard ATA Emulation

The ICH7 contains a set of registers that shadow the contents of the legacy IDE registers. The behavior of the Command and Control Block registers, PIO, and DMA data transfers, resets, and interrupts are all emulated.

**Note:** The ICH7 will assert INTR when the master device completes the EDD command regardless of the command completion status of the slave device. If the master completes EDD first, an INTR is generated and BSY will remain '1' until the slave completes the command. If the slave completes EDD first, BSY will be '0' when the master completes the EDD command and asserts INTR. Software must wait for busy to clear (0) before completing an EDD command, as required by the ATA5 through ATA7 (T13) industry standards.

### 5.17.1.2 48-Bit LBA Operation

The SATA host controller supports 48-bit LBA through the host-to-device register FIS when accesses are performed via writes to the task file. The SATA host controller will ensure that the correct data is put into the correct byte of the host-to-device FIS.

There are special considerations when reading from the task file to support 48-bit LBA operation. Software may need to read all 16-bits. Since the registers are only 8-bits wide and act as a FIFO, a bit must be set in the device/control register, which is at offset 3F6h for primary and 376h for secondary (or their native counterparts).





If software clears bit 7 of the control register before performing a read, the last item written will be returned from the FIFO. If software sets bit 7 of the control register before performing a read, the first item written will be returned from the FIFO.

### 5.17.2 SATA Swap Bay Support

Dynamic Hot-Plug (e.g., surprise removal) is not supported by the SATA host controller without special support from AHCI and the proper board hardware. However, the ICH7 does provide for basic SATA swap bay support using the PSC register configuration bits and power management flows. A device can be powered down by software and the port can then be disabled, allowing removal and insertion of a new device.

**Note:** This SATA swap bay operation requires board hardware (implementation specific), BIOS, and operating system support.

### 5.17.3 Intel® Matrix Storage Technology Configuration (Intel® ICH7R, ICH7DH, and ICH7-M DH Only)

The Intel® Matrix Storage Technology offers several diverse options for RAID (redundant array of independent disks) to meet the needs of the end user. AHCI support provides higher performance and alleviates disk bottlenecks by taking advantage of the independent DMA engines that each SATA port offers in ICH7.

- RAID Level 0 performance scaling up to 4 drives, enabling higher throughput for data intensive applications such as video editing.
- Data security is offered thru RAID Level 1, which performs mirroring.
- RAID Level 10 (ICH7R/ICH7DH only) provides high levels of storage performance with data protection, combining the fault-tolerance of RAID Level 1 with the performance of RAID Level 0. By striping RAID Level 1 segments, high I/O rates can be achieved on systems that require both performance and fault-tolerance. RAID Level 10 requires 4 hard drives, and provides the capacity of two drives.
- RAID Level 5 (ICH7R/ICH7DH only) provides highly efficient storage while maintaining fault-tolerance on 3 or more drives. By striping parity, and rotating it across all disks, fault tolerance of any single drive is achieved while only consuming 1 drive worth of capacity. That is, a 3 drive RAID 5 has the capacity of 2 drives, or a 4 drive RAID 5 has the capacity of 3 drives. RAID 5 has high read transaction rates, with a medium write rate. RAID 5 is well suited for applications that require high amounts of storage while maintaining fault tolerance.

By using the ICH7's built-in Intel Matrix Storage Technology, there is no loss of PCI resources (request/grant pair) or add-in card slot.

Intel Matrix Storage Technology is not available in all ICH7 components. ICH7-M DH supports RAID Level 0, 1. See [Section 1.2](#).

Intel Matrix Storage Technology functionality requires the following items:

1. ICH7 component enabled for Intel Matrix Storage Technology (see [Section 1.2](#))
2. Intel® Matrix Storage Manager RAID Option ROM must be on the platform
3. Intel® Matrix Storage Manager drivers, most recent revision.
4. At least two SATA hard disk drives (minimum depends on RAID configuration).

Intel Matrix Storage Technology is not available in the following configurations:

1. The SATA controller in compatible mode.



### 5.17.3.1 Intel® Matrix Storage Manager RAID Option ROM

The Intel Matrix Storage Manager RAID Option ROM is a standard PnP Option ROM that is easily integrated into any System BIOS. When in place, it provides the following three primary functions:

- Provides a text mode user interface that allows the user to manage the RAID configuration on the system in a pre-operating system environment. Its feature set is kept simple to keep size to a minimum, but allows the user to create & delete RAID volumes and select recovery options when problems occur.
- Provides boot support when using a RAID volume as a boot disk. It does this by providing Int13 services when a RAID volume needs to be accessed by DOS applications (such as NTLDR) and by exporting the RAID volumes to the System BIOS for selection in the boot order.
- At each boot up, provides the user with a status of the RAID volumes and the option to enter the user interface by pressing CTRL-I.

### 5.17.4 Power Management Operation

Power management of the ICH7 SATA controller and ports will cover operations of the host controller and the SATA wire.

#### 5.17.4.1 Power State Mappings

The D0 PCI power management state for device is supported by the ICH7 SATA controller.

SATA devices may also have multiple power states. From parallel ATA, three device states are supported through ACPI. They are:

- **D0** – Device is working and instantly available.
- **D1** – device enters when it receives a STANDBY IMMEDIATE command. Exit latency from this state is in seconds
- **D3** – from the SATA device's perspective, no different than a D1 state, in that it is entered via the STANDBY IMMEDIATE command. However, an ACPI method is also called which will reset the device and then cut its power.

Each of these device states are subsets of the host controller's D0 state.

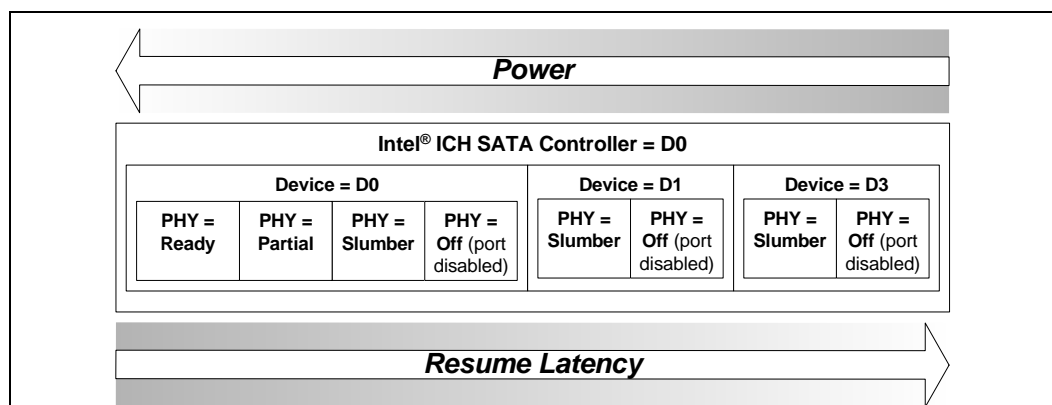
Finally, SATA defines three PHY layer power states, which have no equivalent mappings to parallel ATA. They are:

- **PHY READY** – PHY logic and PLL are both on and active
- **Partial** – PHY logic is powered, but in a reduced state. Exit latency is no longer than 10 ns
- **Slumber** – PHY logic is powered, but in a reduced state. Exit latency can be up to 10 ms.

Since these states have much lower exit latency than the ACPI D1 and D3 states, the SATA controller defines these states as sub-states of the device D0 state.



Figure 5-9. SATA Power States



### 5.17.4.2 Power State Transitions

#### 5.17.4.2.1 Partial and Slumber State Entry/Exit

The partial and slumber states save interface power when the interface is idle. It would be most analogous to PCI CLKRUN# (in power savings, not in mechanism), where the interface can have power saved while no commands are pending. The SATA controller defines PHY layer power management (as performed via primitives) as a driver operation from the host side, and a device proprietary mechanism on the device side. The SATA controller accepts device transition types, but does not issue any transitions as a host. All received requests from a SATA device will be ACKed.

When an operation is performed to the SATA controller such that it needs to use the SATA cable, the controller must check whether the link is in the Partial or Slumber states, and if so, must issue a COM\_WAKE to bring the link back online. Similarly, the SATA device must perform the same action.

#### 5.17.4.2.2 Device D1, D3 States

These states are entered after some period of time when software has determined that no commands will be sent to this device for some time. The mechanism for putting a device in these states does not involve any work on the host controller, other than sending commands over the interface to the device. The command most likely to be used in ATA/ATAPI is the "STANDBY IMMEDIATE" command.

#### 5.17.4.2.3 Host Controller D3<sub>HOT</sub> State

After the interface and device have been put into a low power state, the SATA host controller may be put into a low power state. This is performed via the PCI power management registers in configuration space. There are two very important aspects to note when using PCI power management.

1. When the power state is D3, only accesses to configuration space are allowed. Any attempt to access the memory or I/O spaces will result in master abort.
2. When the power state is D3, no interrupts may be generated, even if they are enabled. If an interrupt status bit is pending when the controller transitions to D0, an interrupt may be generated.

When the controller is put into D3, it is assumed that software has properly shut down the device and disabled the ports. Therefore, there is no need to sustain any values on the port wires. The interface will be treated as if no device is present on the cable, and power will be minimized.

When returning from a D3 state, an internal reset will not be performed.



#### 5.17.4.2.4 Non-AHCI Mode PME# Generation

When in non-AHCI mode (legacy mode) of operation, the SATA controller does not generate PME#. This includes attach events (since the port must be disabled), or interlock switch events (via the SATAGP pins).

#### 5.17.4.3 SMI Trapping (APM)

Device 31:Function2:Offset C0h (see [Section 12.1.40](#)) contain control for generating SMI# on accesses to the IDE I/O spaces. These bits map to the legacy ranges (1F0–1F7h, 3F6h, 170–177h, and 376h). If the SATA controller is in legacy mode and is using these addresses, accesses to one of these ranges with the appropriate bit set causes the cycle to not be forwarded to the SATA controller, and for an SMI# to be generated. If an access to the Bus-Master IDE registers occurs while trapping is enabled for the device being accessed, then the register is updated, an SMI# is generated, and the device activity status bits ([Section 12.1.41](#)) are updated indicating that a trap occurred.

### 5.17.5 SATA LED

The SATALED# output is driven whenever the BSY bit is set in any SATA port. The SATALED# is an active-low open-collector output. When SATALED# is low, the LED should be active. When SATALED# is high, the LED should be inactive.

### 5.17.6 AHCI Operation (Intel® ICH7R, ICH7DH, and Mobile Only)

The ICH7 provides hardware support for Advanced Host Controller Interface (AHCI), a programming interface for SATA host controllers developed thru a joint industry effort (AHCI not available on all ICH7 components; see [Section 1.2](#)). AHCI defines transactions between the SATA controller and software and enables advanced performance and usability with SATA. Platforms supporting AHCI may take advantage of performance features such as no master/slave designation for SATA devices—each device is treated as a master—and hardware assisted native command queuing. AHCI also provides usability enhancements such as Hot-Plug. AHCI requires appropriate software support (e.g., an AHCI driver) and for some features, hardware support in the SATA device or additional platform hardware.

The ICH7 supports all of the mandatory features of the *Serial ATA Advanced Host Controller Interface Specification*, Revision 1.0 and many optional features, such as hardware assisted native command queuing, aggressive power management, LED indicator support, and Hot-Plug thru the use of interlock switch support (additional platform hardware and software may be required depending upon the implementation).

**Note:** For reliable device removal notification while in AHCI operation without the use of interlock switches (surprise removal), interface power management should be disabled for the associated port. See Section 7.3.1 of the *AHCI Specification* for more information.

**Note:** When there are more than two PRD entries for a PIO data transfer that spans multiple DATA FISes, the ICH7 does not support intermediate PRD entries that are less than 144 Words in size when the ICH7 is operating in AHCI mode at 1.5 Gb/s.



### 5.17.7 Serial ATA Reference Clock Low Power Request (SATACLKREQ#)

The 100 MHz Serial ATA Reference Clock (SATACLKP, SATACLKN) is implemented on the system as a ground-terminated low-voltage differential signal pair driven by the system Clock Chip. When all the SATA links are in Slumber or disabled, the SATA Reference Clock is not needed and may be stopped and tri-stated at the clock chip allowing system-level power reductions.

The ICH7 uses the SATACLKREQ# output signal to communicate with the system Clock Chip to request either SATA clock running or to tell the system clock chip that it can stop the SATA Reference Clock. ICH7 drives this signal low to request clock running, and tristates the signal to indicate that the SATA Reference Clock may be stopped (the ICH7 does not drive the pin high). When the SATACLKREQ# is tristated by the ICH7, the clock chip may stop the SATA Reference Clock within 100 ns, anytime after 100 ns, or not at all. If the SATA Reference Clock is not already running, it will start within 100 ns after a SATACLKREQ# is driven low by the ICH7.

To enable SATA Reference Clock Low Power Request:

1. Configure GPIO35 to native function
2. Set SATA Clock Request Enable (SCRE) bit to '1' (Dev 31:F2:Offset 94h:bit 28).

**Note:** The reset default for SATACLKREQ# is low to insure that the SATA Reference Clock is running after system reset.

## 5.18 High Precision Event Timers

This function provides a set of timers that can be used by the operating system. The timers are defined such that in the future, the operating system may be able to assign specific timers to used directly by specific applications. Each timer can be configured to cause a separate interrupt.

ICH7 provides three timers. The three timers are implemented as a single counter each with its own comparator and value register. This counter increases monotonically. Each individual timer can generate an interrupt when the value in its value register matches the value in the main counter.

The registers associated with these timers are mapped to a memory space (much like the I/O APIC). However, it is not implemented as a standard PCI function. The BIOS reports to the operating system the location of the register space. The hardware can support an assignable decode space; however, the BIOS sets this space prior to handing it over to the operating system (See [Section 6.4](#)). It is not expected that the operating system will move the location of these timers once it is set by the BIOS.

### 5.18.1 Timer Accuracy

1. The timers are accurate over any 1 ms period to within 0.05% of the time specified in the timer resolution fields.
2. Within any 100 microsecond period, the timer reports a time that is up to two ticks too early or too late. Each tick is less than or equal to 100 ns, so this represents an error of less than 0.2%.
3. The timer is monotonic. It does not return the same value on two consecutive reads (unless the counter has rolled over and reached the same value).



The main counter is clocked by the 14.31818 MHz clock, synchronized into the 66.666 MHz domain. This results in a non-uniform duty cycle on the synchronized clock, but does have the correct average period. The accuracy of the main counter is as accurate as the 14.3818 MHz clock.

## 5.18.2 Interrupt Mapping

### Mapping Option #1 (Legacy Replacement Option)

In this case, the Legacy Replacement Rout bit (LEG\_RT\_CNF) is set. This forces the mapping found in [Table 5-45](#).

**Table 5-45. Legacy Replacement Routing**

Timer	8259 Mapping	APIC Mapping	Comment
0	IRQ0	IRQ2	In this case, the 8254 timer will not cause any interrupts
1	IRQ8	IRQ8	In this case, the RTC will not cause any interrupts.
2	Per IRQ Routing Field.	Per IRQ Routing Field	

### Mapping Option #2 (Standard Option)

In this case, the Legacy Replacement Rout bit (LEG\_RT\_CNF) is 0. Each timer has its own routing control. The supported interrupt values are IRQ 20, 21, 22, and 23.

## 5.18.3 Periodic vs. Non-Periodic Modes

### Non-Periodic Mode

Timer 0 is configurable to 32 (default) or 64-bit mode, whereas Timers 1 and 2 only support 32-bit mode (See [Section 20.1.5](#)).

All three timers support non-periodic mode.

Consult Section 2.3.9.2.1 of the IA-PC HPET Specification for a description of this mode.

### Periodic Mode

Timer 0 is the only timer that supports periodic mode. Consult Section 2.3.9.2.2 of the *IA-PC HPET Specification* for a description of this mode.

The following usage model is expected:

1. Software clears the ENABLE\_CNF bit to prevent any interrupts
2. Software Clears the main counter by writing a value of 00h to it.
3. Software sets the TIMER0\_VAL\_SET\_CNF bit.
4. Software writes the new value in the TIMER0\_COMPARATOR\_VAL register
5. Software sets the ENABLE\_CNF bit to enable interrupts.



The Timer 0 Comparator Value register cannot be programmed reliably by a single 64-bit write in a 32-bit environment except if only the periodic rate is being changed during run-time. If the actual Timer 0 Comparator Value needs to be reinitialized, then the following software solution will always work regardless of the environment:

1. Set TIMERO\_VAL\_SET\_CNF bit
2. Set the lower 32 bits of the Timer0 Comparator Value register
3. Set TIMERO\_VAL\_SET\_CNF bit
4. Set the upper 32 bits of the Timer0 Comparator Value register

#### 5.18.4 Enabling the Timers

The BIOS or operating system PnP code should route the interrupts. This includes the Legacy Rout bit, Interrupt Rout bit (for each timer), interrupt type (to select the edge or level type for each timer)

The Device Driver code should do the following for an available timer:

1. Set the Overall Enable bit (Offset 04h, bit 0).
2. Set the timer type field (selects one-shot or periodic).
3. Set the interrupt enable
4. Set the comparator value

#### 5.18.5 Interrupt Levels

Interrupts directed to the internal 8259s are active high. See [Section 5.10](#) for information regarding the polarity programming of the I/O APIC for detecting internal interrupts.

If the interrupts are mapped to the I/O APIC and set for level-triggered mode, they can be shared with PCI interrupts. This may be shared although it's unlikely for the operating system to attempt to do this.

If more than one timer is configured to share the same IRQ (using the TIMERN\_INT\_ROUT\_CNF fields), then the software must configure the timers to level-triggered mode. Edge-triggered interrupts cannot be shared.

#### 5.18.6 Handling Interrupts

If each timer has a unique interrupt and the timer has been configured for edge-triggered mode, then there are no specific steps required. No read is required to process the interrupt.

If a timer has been configured to level-triggered mode, then its interrupt must be cleared by the software. This is done by reading the interrupt status register and writing a 1 back to the bit position for the interrupt to be cleared.

Independent of the mode, software can read the value in the main counter to see how time has passed between when the interrupt was generated and when it was first serviced.

If Timer 0 is set up to generate a periodic interrupt, the software can check to see how much time remains until the next interrupt by checking the timer value register.

### 5.18.7 Issues Related to 64-Bit Timers with 32-Bit Processors

A 32-bit timer can be read directly using processors that are capable of 32-bit or 64-bit instructions. However, a 32-bit processor may not be able to directly read 64-bit timer. A race condition comes up if a 32-bit processor reads the 64-bit register using two separate 32-bit reads. The danger is that just after reading one half, the other half rolls over and changes the first half.

If a 32-bit processor needs to access a 64-bit timer, it must first halt the timer before reading both the upper and lower 32-bits of the timer. If a 32-bit processor does not want to halt the timer, it can use the 64-bit timer as a 32-bit timer by setting the `TIMERn_32MODE_CNF` bit. This causes the timer to behave as a 32-bit timer. The upper 32-bits are always 0.

## 5.19 USB UHCI Host Controllers (D29:F0, F1, F2, and F3)

The ICH7 contains four USB 2.0 full/low-speed host controllers that support the standard Universal Host Controller Interface (UHCI), Revision 1.1. Each UHCI Host Controller (UHC) includes a root hub with two separate USB ports each, for a total of eight USB ports.

- Overcurrent detection on all eight USB ports is supported. The overcurrent inputs are *not* 5 V tolerant, and can be used as GPIOs if not needed.
- The ICH7's UHCI host controllers are arbitrated differently than standard PCI devices to improve arbitration latency.
- The UHCI controllers use the Analog Front End (AFE) embedded cell that allows support for USB full-speed signaling rates, instead of USB I/O buffers.

### 5.19.1 Data Structures in Main Memory

Section 3.1 - 3.3 of the *Universal Host Controller Interface Specification, Revision 1.1* details the data structures used to communicate control, status, and data between software and the ICH7.

### 5.19.2 Data Transfers to/from Main Memory

Section 3.4 of the *Universal Host Controller Interface Specification, Revision 1.1* describes the details on how HCD and the ICH7 communicate via the Schedule data structures.

### 5.19.3 Data Encoding and Bit Stuffing

The ICH7 USB employs NRZI data encoding (Non-Return to Zero Inverted) when transmitting packets. Full details on this implementation are given in the *Universal Serial Bus Specification, Revision 2.0*.

### 5.19.4 Bus Protocol

#### 5.19.4.1 Bit Ordering

Bits are sent out onto the bus least significant bit (LSb) first, followed by next LSb, through to the most significant bit (MSb) last.





#### 5.19.4.2 SYNC Field

All packets begin with a synchronization (SYNC) field, which is a coded sequence that generates a maximum edge transition density. The SYNC field appears on the bus as IDLE followed by the binary string "KJKJKJKK," in its NRZI encoding. It is used by the input circuitry to align incoming data with the local clock and is defined to be 8 bits in length. SYNC serves only as a synchronization mechanism and is not shown in the following packet diagrams. The last two bits in the SYNC field are a marker that is used to identify the first bit of the PID. All subsequent bits in the packet must be indexed from this point.

#### 5.19.4.3 Packet Field Formats

All packets have distinct start and end of packet delimiters. Full details are given in the *Universal Serial Bus Specification, Revision 2.0*, in Section 8.3.1.

#### 5.19.4.4 Address Fields

Function endpoints are addressed using the function address field and the endpoint field. Full details on this are given in the *Universal Serial Bus Specification, Revision 2.0*, in Section 8.3.2.

#### 5.19.4.5 Frame Number Field

The frame number field is an 11-bit field that is incremented by the host on a per frame basis. The frame number field rolls over upon reaching its maximum value of 7FFh, and is sent only for SOF tokens at the start of each frame.

#### 5.19.4.6 Data Field

The data field may range from 0 to 1023 bytes and must be an integral numbers of bytes. Data bits within each byte are shifted out LSB first.

#### 5.19.4.7 Cyclic Redundancy Check (CRC)

CRC is used to protect the all non-PID fields in token and data packets. In this context, these fields are considered to be protected fields. Full details on this are given in the *Universal Serial Bus Specification, Revision 2.0*, in Section 8.3.5.

### 5.19.5 Packet Formats

The USB protocol calls out several packet types: token, data, and handshake packets. Full details on this are given in the *Universal Serial Bus Specification, Revision 2.0*, in section 8.4.

### 5.19.6 USB Interrupts

There are two general groups of USB interrupt sources, those resulting from execution of transactions in the schedule, and those resulting from an ICH7 operation error. All transaction-based sources can be masked by software through the ICH7's Interrupt Enable register. Additionally, individual transfer descriptors can be marked to generate an interrupt on completion.

When the ICH7 drives an interrupt for USB, it internally drives the PIRQA# pin for USB function #0 and USB function #3, PIRQD# pin for USB function #1, and the PIRQC# pin for USB function #2, until all sources of the interrupt are cleared. In order to accommodate some operating systems, the Interrupt Pin register must contain a different value for each function of this new multi-function device.



### 5.19.6.1 Transaction-Based Interrupts

These interrupts are not signaled until after the status for the last complete transaction in the frame has been written back to host memory. This ensures that software can safely process through (Frame List Current Index -1) when it is servicing an interrupt.

#### CRC Error / Time-Out

A CRC/Time-Out error occurs when a packet transmitted from the ICH7 to a USB device or a packet transmitted from a USB device to the ICH7 generates a CRC error. The ICH7 is informed of this event by a time-out from the USB device or by the ICH7's CRC checker generating an error on reception of the packet. Additionally, a USB bus time-out occurs when USB devices do not respond to a transaction phase within 19-bit times of an EOP. Either of these conditions causes the C\_ERR field of the TD to decrement.

When the C\_ERR field decrements to 0, the following occurs:

- The Active bit in the TD is cleared
- The Stalled bit in the TD is set
- The CRC/Time-out bit in the TD is set.
- At the end of the frame, the USB Error Interrupt bit is set in the HC status register.

If the CRC/Time out interrupt is enabled in the Interrupt Enable register, a hardware interrupt will be signaled to the system.

#### Interrupt on Completion

Transfer Descriptors contain a bit that can be set to cause an interrupt on their completion. The completion of the transaction associated with that block causes the USB Interrupt bit in the HC Status Register to be set at the end of the frame in which the transfer completed. When a TD is encountered with the IOC bit set to 1, the IOC bit in the HC Status register is set to 1 at the end of the frame if the active bit in the TD is set to 0 (even if it was set to 0 when initially read).

If the IOC Enable bit of Interrupt Enable register (bit 2 of I/O offset 04h) is set, a hardware interrupt is signaled to the system. The USB Interrupt bit in the HC status register is set either when the TD completes successfully or because of errors. If the completion is because of errors, the USB Error bit in the HC status register is also set.

#### Short Packet Detect

A transfer set is a collection of data which requires more than one USB transaction to completely move the data across the USB. An example might be a large print file which requires numerous TDs in multiple frames to completely transfer the data. Reception of a data packet that is less than the endpoint's Max Packet size during Control, Bulk or Interrupt transfers signals the completion of the transfer set, even if there are active TDs remaining for this transfer set. Setting the SPD bit in a TD indicates to the HC to set the USB Interrupt bit in the HC status register at the end of the frame in which this event occurs. This feature streamlines the processing of input on these transfer types. If the Short Packet Interrupt Enable bit in the Interrupt Enable register is set, a hardware interrupt is signaled to the system at the end of the frame where the event occurred.



### Serial Bus Babble

When a device transmits on the USB for a time greater than its assigned Max Length, it is said to be babbling. Since isochrony can be destroyed by a babbling device, this error results in the Active bit in the TD being cleared to 0 and the Stalled and Babble bits being set to 1. The C\_ERR field is not decremented for a babble. The USB Error Interrupt bit in the HC Status register is set to 1 at the end of the frame. A hardware interrupt is signaled to the system.

If an EOF babble was caused by the ICH7 (due to incorrect schedule for instance), the ICH7 forces a bit stuff error followed by an EOP and the start of the next frame.

### Stalled

This event indicates that a device/endpoint returned a STALL handshake during a transaction or that the transaction ended in an error condition. The TDs Stalled bit is set and the Active bit is cleared. Reception of a STALL does not decrement the error counter. A hardware interrupt is signaled to the system.

### Data Buffer Error

This event indicates that an overrun of incoming data or a under-run of outgoing data has occurred for this transaction. This would generally be caused by the ICH7 not being able to access required data buffers in memory within necessary latency requirements. Either of these conditions causes the C\_ERR field of the TD to be decremented.

When C\_ERR decrements to 0, the Active bit in the TD is cleared, the Stalled bit is set, the USB Error Interrupt bit in the HC Status register is set to 1 at the end of the frame and a hardware interrupt is signaled to the system.

### Bit Stuff Error

A bit stuff error results from the detection of a sequence of more than six 1s in a row within the incoming data stream. This causes the C\_ERR field of the TD to be decremented. When the C\_ERR field decrements to 0, the Active bit in the TD is cleared to 0, the Stalled bit is set to 1, the USB Error Interrupt bit in the HC Status register is set to 1 at the end of the frame and a hardware interrupt is signaled to the system.

## 5.19.6.2 Non-Transaction Based Interrupts

If an ICH7 process error or system error occur, the ICH7 halts and immediately issues a hardware interrupt to the system.

### Resume Received

This event indicates that the ICH7 received a RESUME signal from a device on the USB bus during a global suspend. If this interrupt is enabled in the Interrupt Enable register, a hardware interrupt is signaled to the system allowing the USB to be brought out of the suspend state and returned to normal operation.

### ICH7 Process Error

The HC monitors certain critical fields during operation to ensure that it does not process corrupted data structures. These include checking for a valid PID and verifying that the MaxLength field is less than 1280. If it detects a condition that would indicate that it is processing corrupted data structures, it immediately halts processing, sets the HC Process Error bit in the HC Status register and signals a hardware interrupt to the system.

This interrupt cannot be disabled through the Interrupt Enable register.

## Host System Error

The ICH7 sets this bit to 1 when a Parity error, Master Abort, or Target Abort occur. When this error occurs, the ICH7 clears the Run/Stop bit in the Command register to prevent further execution of the scheduled TDs. This interrupt cannot be disabled through the Interrupt Enable register.

### 5.19.7 USB Power Management

The Host controller can be put into a suspended state and its power can be removed. This requires that certain bits of information are retained in the resume power plane of the ICH7 so that a device on a port may wake the system. Such a device may be a fax-modem, which will wake up the machine to receive a fax or take a voice message. The settings of the following bits in I/O space will be maintained when the ICH7 enters the S3, S4, or S5 states.

Table 5-46. Bits Maintained in Low Power States

Register	Offset	Bit	Description
Command	00h	3	Enter Global Suspend Mode (EGSM)
Status	02h	2	Resume Detect
Port Status and Control	10h & 12h	2	Port Enabled/Disabled
		6	Resume Detect
		8	Low-speed Device Attached
		12	Suspend

When the ICH7 detects a resume event on any of its ports, it sets the corresponding USB\_STS bit in ACPI space. If USB is enabled as a wake/break event, the system wakes up and an SCI generated.

### 5.19.8 USB Legacy Keyboard Operation

When a USB keyboard is plugged into the system, and a standard keyboard is not, the system may not boot, and MS-DOS legacy software will not run, because the keyboard will not be identified. The ICH7 implements a series of trapping operations which will snoop accesses that go to the keyboard controller, and put the expected data from the USB keyboard into the keyboard controller.

**Note:** The scheme described below assumes that the keyboard controller (8042 or equivalent) is on the LPC bus.

This legacy operation is performed through SMM space. Figure 5-10 shows the Enable and Status path. The latched SMI source (60R, 60W, 64R, 64W) is available in the Status Register. Because the enable is after the latch, it is possible to check for other events that didn't necessarily cause an SMI. It is the software's responsibility to logically AND the value with the appropriate enable bits.

Note also that the SMI is generated before the PCI cycle completes (e.g., before TRDY# goes active) to ensure that the processor doesn't complete the cycle before the SMI is observed. This method is used on MPIIX and has been validated.

The logic also needs to block the accesses to the 8042. If there is an external 8042, then this is simply accomplished by not activating the 8042 CS. This is simply done by logically ANDing the four enables (60R, 60W, 64R, 64W) with the 4 types of accesses to determine if 8042CS should go active. An additional term is required for the "pass-through" case.

The state table for the diagram is shown in Table 5-47.



Figure 5-10. USB Legacy Keyboard Flow Diagram

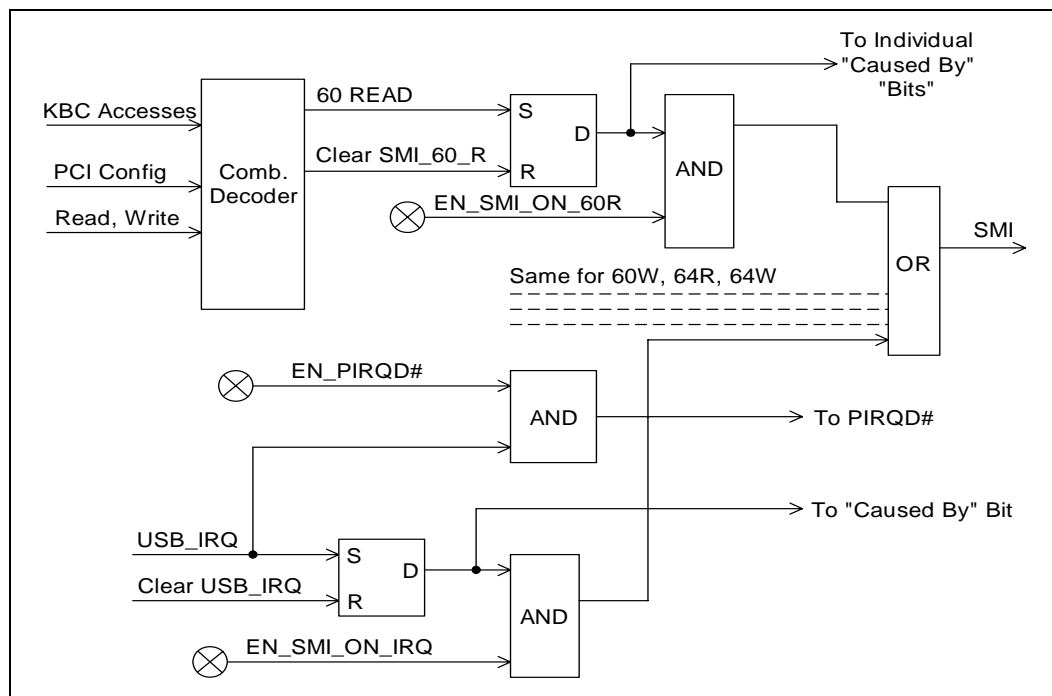


Table 5-47. USB Legacy Keyboard State Transitions (Sheet 1 of 2)

Current State	Action	Data Value	Next State	Comment
IDLE	64h / Write	D1h	GateState1	Standard D1 command. Cycle passed through to 8042. SMI# doesn't go active. PSTATE (offset C0, bit 6) goes to 1.
IDLE	64h / Write	Not D1h	IDLE	Bit 3 in Config Register determines if cycle passed through to 8042 and if SMI# generated.
IDLE	64h / Read	N/A	IDLE	Bit 2 in Config Register determines if cycle passed through to 8042 and if SMI# generated.
IDLE	60h / Write	Don't Care	IDLE	Bit 1 in Config Register determines if cycle passed through to 8042 and if SMI# generated.
IDLE	60h / Read	N/A	IDLE	Bit 0 in Config Register determines if cycle passed through to 8042 and if SMI# generated.
GateState1	60h / Write	XXh	GateState2	Cycle passed through to 8042, even if trap enabled in Bit 1 in Config Register. No SMI# generated. PSTATE remains 1. If data value is not DFh or DDh then the 8042 may chose to ignore it.



Table 5-47. USB Legacy Keyboard State Transitions (Sheet 2 of 2)

Current State	Action	Data Value	Next State	Comment
GateState1	64h / Write	D1h	GateState1	Cycle passed through to 8042, even if trap enabled via Bit 3 in Config Register. No SMI# generated. PSTATE remains 1. Stay in GateState1 because this is part of the double-trigger sequence.
GateState1	64h / Write	Not D1h	ILDE	Bit 3 in Config space determines if cycle passed through to 8042 and if SMI# generated. PSTATE goes to 0. If Bit 7 in Config Register is set, then SMI# should be generated.
GateState1	60h / Read	N/A	IDLE	This is an invalid sequence. Bit 0 in Config Register determines if cycle passed through to 8042 and if SMI# generated. PSTATE goes to 0. If Bit 7 in Config Register is set, then SMI# should be generated.
GateState1	64h / Read	N/A	GateState1	Just stay in same state. Generate an SMI# if enabled in Bit 2 of Config Register. PSTATE remains 1.
GateState2	64 / Write	FFh	IDLE	Standard end of sequence. Cycle passed through to 8042. PSTATE goes to 0. Bit 7 in Config Space determines if SMI# should be generated.
GateState2	64h / Write	Not FFh	IDLE	Improper end of sequence. Bit 3 in Config Register determines if cycle passed through to 8042 and if SMI# generated. PSTATE goes to 0. If Bit 7 in Config Register is set, then SMI# should be generated.
GateState2	64h / Read	N/A	GateState2	Just stay in same state. Generate an SMI# if enabled in Bit 2 of Config Register. PSTATE remains 1.
GateState2	60h / Write	XXh	IDLE	Improper end of sequence. Bit 1 in Config Register determines if cycle passed through to 8042 and if SMI# generated. PSTATE goes to 0. If Bit 7 in Config Register is set, then SMI# should be generated.
GateState2	60h / Read	N/A	IDLE	Improper end of sequence. Bit 0 in Config Register determines if cycle passed through to 8042 and if SMI# generated. PSTATE goes to 0. If Bit 7 in Config Register is set, then SMI# should be generated.



## 5.20 USB EHCI Host Controller (D29:F7)

The ICH7 contains an Enhanced Host Controller Interface (EHCI) host controller which supports up to eight USB 2.0 high-speed root ports. USB 2.0 allows data transfers up to 480 Mb/s using the same pins as the eight USB full-speed/low-speed ports. The ICH7 contains port-routing logic that determines whether a USB port is controlled by one of the UHCI controllers or by the EHCI controller. USB 2.0 based Debug Port is also implemented in the ICH7.

A summary of the key architectural differences between the USB UHCI host controllers and the EHCI host controller are shown in [Table 5-48](#).

**Table 5-48. UHCI vs. EHCI**

Parameter	USB UHCI	USB EHCI
Accessible by	I/O space	Memory Space
Memory Data Structure	Single linked list	Separated in to Periodic and Asynchronous lists
Differential Signaling Voltage	3.3 V	400 mV
Ports per Controller	2	8

### 5.20.1 EHC Initialization

The following descriptions step through the expected ICH7 Enhanced Host Controller (EHC) initialization sequence in chronological order, beginning with a complete power cycle in which the suspend well and core well have been off.

#### 5.20.1.1 BIOS Initialization

BIOS performs a number of platform customization steps after the core well has powered up. Contact your Intel Field Representative for additional ICH7 BIOS information.

#### 5.20.1.2 Driver Initialization

See Chapter 4 of the *Enhanced Host Controller Interface Specification for Universal Serial Bus*, Revision 1.0.



### 5.20.1.3 EHC Resets

In addition to the standard ICH7 hardware resets, portions of the EHC are reset by the HCRESET bit and the transition from the D3<sub>HOT</sub> device power management state to the D0 state. The effects of each of these resets are:

Reset	Does Reset	Does not Reset	Comments
HCRESET bit set.	Memory space registers except Structural Parameters (which is written by BIOS).	Configuration registers.	The HCRESET must only affect registers that the EHCI driver controls. PCI Configuration space and BIOS-programmed parameters can not be reset.
Software writes the Device Power State from D3 <sub>HOT</sub> (11b) to D0 (00b).	Core well registers (except BIOS-programmed registers).	Suspend well registers; BIOS-programmed core well registers.	The D3-to-D0 transition must not cause wake information (suspend well) to be lost. It also must not clear BIOS-programmed registers because BIOS may not be invoked following the D3-to-D0 transition.

If the detailed register descriptions give exceptions to these rules, those exceptions override these rules. This summary is provided to help explain the reasons for the reset policies.

### 5.20.2 Data Structures in Main Memory

See Section 3 and Appendix B of the *Enhanced Host Controller Interface Specification for Universal Serial Bus*, Revision 1.0 for details.

### 5.20.3 USB 2.0 Enhanced Host Controller DMA

The ICH7 USB 2.0 EHC implements three sources of USB packets. They are, in order of priority on USB during each microframe:

1. The USB 2.0 Debug Port (see Section USB 2.0 Based Debug Port),
2. The Periodic DMA engine, and
3. The Asynchronous DMA engine. The ICH7 always performs any currently-pending debug port transaction at the beginning of a microframe, followed by any pending periodic traffic for the current microframe. If there is time left in the microframe, then the EHC performs any pending asynchronous traffic until the end of the microframe (EOF1). Note that the debug port traffic is only presented on one port (Port #0), while the other ports are idle during this time.

### 5.20.4 Data Encoding and Bit Stuffing

See Chapter 8 of the *Universal Serial Bus Specification, Revision 2.0*.

### 5.20.5 Packet Formats

See Chapter 8 of the *Universal Serial Bus Specification, Revision 2.0*.

The ICH7 EHCI allows entrance to USB test modes, as defined in the USB 2.0 specification, including Test J, Test Packet, etc. However, note that the ICH7 Test Packet test mode interpacket gap timing may not meet the USB 2.0 specification.





## 5.20.6 USB 2.0 Interrupts and Error Conditions

Section 4 of the *Enhanced Host Controller Interface Specification for Universal Serial Bus*, Revision 1.0 goes into detail on the EHC interrupts and the error conditions that cause them. All error conditions that the EHC detects can be reported through the EHCI Interrupt status bits. Only ICH7-specific interrupt and error-reporting behavior is documented in this section. The EHCI Interrupts Section must be read first, followed by this section of the datasheet to fully comprehend the EHC interrupt and error-reporting functionality.

- Based on the EHC's Buffer sizes and buffer management policies, the Data Buffer Error can not occur on the ICH7.
- Master Abort and Target Abort responses from hub interface on EHC-initiated read packets will be treated as Fatal Host Errors. The EHC halts when these conditions are encountered.
- The ICH7 may assert the interrupts which are based on the interrupt threshold as soon as the status for the last complete transaction in the interrupt interval has been posted in the internal write buffers. The requirement in the *Enhanced Host Controller Interface Specification for Universal Serial Bus*, Revision 1.0 (that the status is written to memory) is met internally, even though the write may not be seen on DMI before the interrupt is asserted.
- Since the ICH7 supports the 1024-element Frame List size, the Frame List Rollover interrupt occurs every 1024 milliseconds.
- The ICH7 delivers interrupts using PIRQ#.
- The ICH7 does not modify the CERR count on an Interrupt IN when the "Do Complete-Split" execution criteria are not met.
- For complete-split transactions in the Periodic list, the "Missed Microframe" bit does not get set on a control-structure-fetch that fails the late-start test. If subsequent accesses to that control structure do not fail the late-start test, then the "Missed Microframe" bit will get set and written back.

### 5.20.6.1 Aborts on USB 2.0-Initiated Memory Reads

If a read initiated by the EHC is aborted, the EHC treats it as a fatal host error. The following actions are taken when this occurs:

- The Host System Error status bit is set
- The DMA engines are halted after completing up to one more transaction on the USB interface
- If enabled (by the Host System Error Enable), then an interrupt is generated
- If the status is Master Abort, then the Received Master Abort bit in configuration space is set
- If the status is Target Abort, then the Received Target Abort bit in configuration space is set
- If enabled (by the SERR Enable bit in the function's configuration space), then the Signaled System Error bit in configuration bit is set.



## 5.20.7 USB 2.0 Power Management

### 5.20.7.1 Pause Feature

This feature allows platforms (especially mobile systems) to dynamically enter low-power states during brief periods when the system is idle (i.e., between keystrokes). This is useful for enabling power management features like Intel SpeedStep technology in the ICH7 mobile/ultra mobile only. The policies for entering these states typically are based on the recent history of system bus activity to incrementally enter deeper power management states. Normally, when the EHC is enabled, it regularly accesses main memory while traversing the DMA schedules looking for work to do; this activity is viewed by the power management software as a non-idle system, thus preventing the power managed states to be entered. Suspending all of the enabled ports can prevent the memory accesses from occurring, but there is an inherent latency overhead with entering and exiting the suspended state on the USB ports that makes this unacceptable for the purpose of dynamic power management. As a result, the EHCI software drivers are allowed to pause the EHC's DMA engines when it knows that the traffic patterns of the attached devices can afford the delay. The pause only prevents the EHC from generating memory accesses; the SOF packets continue to be generated on the USB ports (unlike the suspended state).

### 5.20.7.2 Suspend Feature

The *Enhanced Host Controller Interface (EHCI) For Universal Serial Bus Specification*, Section 4.3 describes the details of Port Suspend and Resume.

### 5.20.7.3 ACPI Device States

The USB 2.0 function only supports the D0 and D3 PCI Power Management states. Notes regarding the ICH7 implementation of the Device States:

1. The EHC hardware does not inherently consume any more power when it is in the D0 state than it does in the D3 state. However, software is required to suspend or disable all ports prior to entering the D3 state such that the maximum power consumption is reduced.
2. In the D0 state, all implemented EHC features are enabled.
3. In the D3 state, accesses to the EHC memory-mapped I/O range will master abort. Note that, since the Debug Port uses the same memory range, the Debug Port is only operational when the EHC is in the D0 state.
4. In the D3 state, the EHC interrupt must not assert for any reason. The internal PME# signal is used to signal wake events, etc.
5. When the Device Power State field is written to D0 from D3, an internal reset is generated. See section EHC Resets for general rules on the effects of this reset.
6. Attempts to write any other value into the Device Power State field other than 00b (D0 state) and 11b (D3 state) will complete normally without changing the current value in this field.



#### 5.20.7.4 ACPI System States

The EHC behavior as it relates to other power management states in the system is summarized in the following list:

- The System is always in the S0 state when the EHC is in the D0 state. However, when the EHC is in the D3 state, the system may be in any power management state (including S0).
- When in D0, the Pause feature (See [Section 5.20.7.1](#)) enables dynamic processor low-power states to be entered.
- The PLL in the EHC is disabled when entering the S3<sub>HOT</sub> state (48 MHz clock stops), or the S3<sub>COLD</sub>/S4/S5 states (core power turns off).
- All core well logic is reset in the S3/S4/S5 states.

#### 5.20.7.5 Mobile/Ultra Mobile Only Considerations

The ICH7 USB 2.0 implementation does not behave differently in the mobile configurations versus the desktop configurations. However, some features may be especially useful for the mobile configurations.

- If a system (e.g., mobile) does not implement all eight USB 2.0 ports, the ICH7 provides mechanisms for changing the structural parameters of the EHC and hiding unused UHCI controllers. See the *Intel<sup>®</sup> ICH7 BIOS Specification* for information on how BIOS should configure the ICH7.
- Mobile/ultra mobile systems may want to minimize the conditions that will wake the system. The ICH7 implements the “Wake Enable” bits in the Port Status and Control registers, as specified in the EHCI spec, for this purpose.
- Mobile/Ultra mobile systems may want to cut suspend well power to some or all USB ports when in a low-power state. The ICH7 implements the optional Port Wake Capability Register in the EHC Configuration Space for this platform-specific information to be communicated to software.

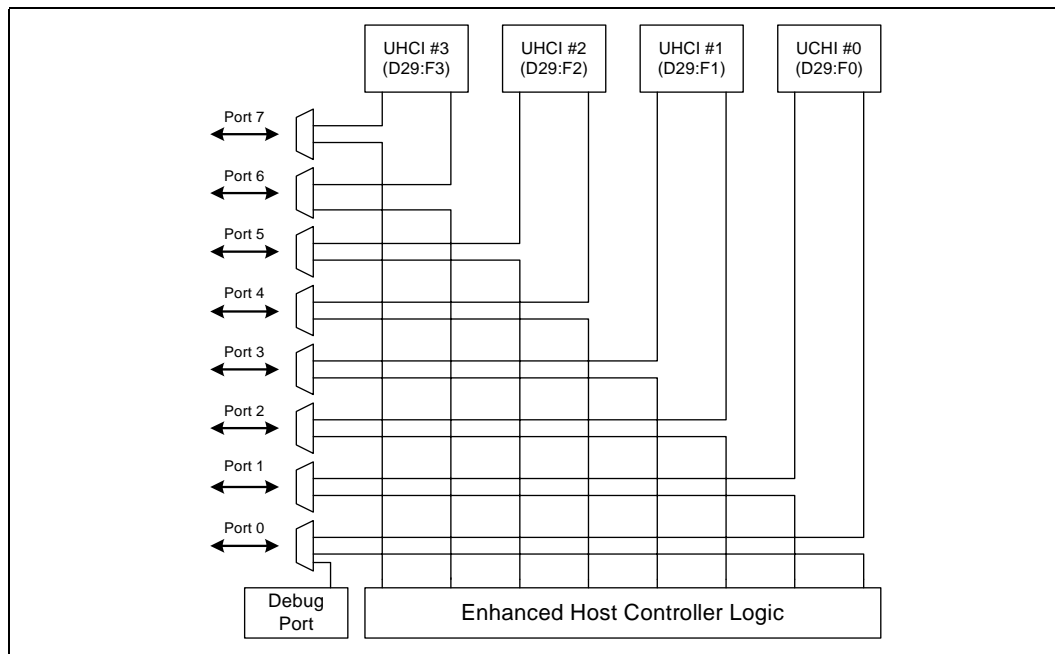
### 5.20.8 Interaction with UHCI Host Controllers

The Enhanced Host controller shares the eight USB ports with four UHCI Host controllers in the ICH7. The UHC at D29:F0 shares ports 0 and 1; the UHC at D29:F1 shares ports 2 and 3; the UHC at D29:F2 shares ports 4 and 5; and the UHC at D29:F3 shares ports 6 and 7 with the EHC. There is very little interaction between the Enhanced and the UHCI controllers other than the muxing control which is provided as part of the EHC. [Figure 5-11](#) shows the USB Port Connections at a conceptual level.

#### 5.20.8.1 Port-Routing Logic

Integrated into the EHC functionality is port-routing logic, which performs the muxing between the UHCI and EHCI host controllers. The ICH7 conceptually implements this logic as described in Section 4.2 of the *Enhanced Host Controller Interface Specification for Universal Serial Bus*, Revision 1.0. If a device is connected that is not capable of USB 2.0's high-speed signaling protocol or if the EHCI software drivers are not present as indicated by the Configured Flag, then the UHCI controller owns the port. Owning the port means that the differential output is driven by the owner and the input stream is only visible to the owner. The host controller that is not the owner of the port internally sees a disconnected port.

Figure 5-11. Intel® ICH7-USB Port Connections



Note that the port-routing logic is the only block of logic within the ICH7 that observes the physical (real) connect/disconnect information. The port status logic inside each of the host controllers observes the electrical connect/disconnect information that is generated by the port-routing logic.

Only the differential signal pairs are multiplexed/demultiplexed between the UHCI and EHCI host controllers. The other USB functional signals are handled as follows:

- The Overcurrent inputs (OC[7:0]#) are directly routed to both controllers. An overcurrent event is recorded in both controllers' status registers.

The Port-Routing logic is implemented in the Suspend power well so that re-enumeration and re-mapping of the USB ports is not required following entering and exiting a system sleep state in which the core power is turned off.

The ICH7 also allows the USB Debug Port traffic to be routed in and out of Port #0. When in this mode, the Enhanced Host controller is the owner of Port #0.



### 5.20.8.2 Device Connects

The *Enhanced Host Controller Interface Specification for Universal Serial Bus*, Revision 1.0 describes the details of handling Device Connects in Section 4.2. There are four general scenarios that are summarized below.

1. Configure Flag = 0 and a full-speed/low-speed-only Device is connected
  - In this case, the UHC is the owner of the port both before and after the connect occurs. The EHC (except for the port-routing logic) does not see the connect occur. The UHCI driver handles the connection and initialization process.
2. Configure Flag = 0 and a high-speed-capable Device is connected
  - In this case, the UHC is the owner of the port both before and after the connect occurs. The EHC (except for the port-routing logic) not see the connect occur. The UHCI driver handles the connection and initialization process. Since the UHC does not perform the high-speed chirp handshake, the device operates in compatible mode.
3. Configure Flag = 1 and a full-speed/low-speed-only Device is connected
  - In this case, the EHC is the owner of the port before the connect occurs. The EHCI driver handles the connection and performs the port reset. After the reset process completes, the EHC hardware has cleared (not set) the Port Enable bit in the EHC's PORTSC register. The EHCI driver then writes a 1 to the Port Owner bit in the same register, causing the UHC to see a connect event and the EHC to see an "electrical" disconnect event. The UHCI driver and hardware handle the connection and initialization process from that point on. The EHCI driver and hardware handle the perceived disconnect.
4. Configure Flag = 1 and a high-speed-capable Device is connected
  - In this case, the EHC is the owner of the port before, and remains the owner after, the connect occurs. The EHCI driver handles the connection and performs the port reset. After the reset process completes, the EHC hardware has set the Port Enable bit in the EHC's PORTSC register. The port is functional at this point. The UHC continues to see an unconnected port.

### 5.20.8.3 Device Disconnects

The *Enhanced Host Controller Interface Specification for Universal Serial Bus*, Revision 1.0 describes the details of handling Device Disconnects in Section 4.2. There are three general scenarios that are summarized below.

1. Configure Flag = 0 and the device is disconnected
  - In this case, the UHC is the owner of the port both before and after the disconnect occurs. The EHC (except for the port-routing logic) not see a device attached. The UHCI driver handles disconnection process.
2. Configure Flag = 1 and a full-speed/low-speed-capable Device is disconnected
  - In this case, the UHC is the owner of the port before the disconnect occurs. The disconnect is reported by the UHC and serviced by the associated UHCI driver. The port-routing logic in the EHC cluster forces the Port Owner bit to 0, indicating that the EHC owns the unconnected port.
3. Configure Flag = 1 and a high-speed-capable Device is disconnected
  - In this case, the EHC is the owner of the port before, and remains the owner after, the disconnect occurs. The EHCI hardware and driver handle the disconnection process. The UHC does not see a device attached.

#### 5.20.8.4 Effect of Resets on Port-Routing Logic

As mentioned above, the Port Routing logic is implemented in the suspend power well so that remuneration and re-mapping of the USB ports is not required following entering and exiting a system sleep state in which the core power is turned off.

Reset Event	Effect on Configure Flag	Effect on Port Owner Bits
Suspend Well Reset	cleared (0)	set (1)
Core Well Reset	no effect	no effect
D3-to-D0 Reset	no effect	no effect
HCRESET	cleared (0)	set (1)

#### 5.20.9 USB 2.0 Legacy Keyboard Operation

The ICH7 must support the possibility of a keyboard downstream from either a full-speed/low-speed or a high-speed port. The description of the legacy keyboard support is unchanged from USB 1.1 (See [Section 5.19.8](#)).

The EHC provides the basic ability to generate SMIs on an interrupt event, along with more sophisticated control of the generation of SMIs.

#### 5.20.10 USB 2.0 Based Debug Port

The ICH7 supports the elimination of the legacy COM ports by providing the ability for new debugger software to interact with devices on a USB 2.0 port.

High-level restrictions and features are:

- Operational before USB 2.0 drivers are loaded.
- Functions even when the port is disabled.
- Works even though non-configured port is default-routed to the UHCI. Note that the Debug Port can not be used to debug an issue that requires a full-speed/low-speed device on Port #0 using the UHCI drivers.
- Allows normal system USB 2.0 traffic in a system that may only have one USB port.
- Debug Port device (DPD) must be high-speed capable and connect directly to Port #0 on ICH7 systems (e.g., the DPD cannot be connected to Port #0 thru a hub).
- Debug Port FIFO always makes forward progress (a bad status on USB is simply presented back to software).
- The Debug Port FIFO is only given one USB access per microframe.

The Debug port facilitates operating system and device driver debug. It allows the software to communicate with an external console using a USB 2.0 connection. Because the interface to this link does not go through the normal USB 2.0 stack, it allows communication with the external console during cases where the operating system is not loaded, the USB 2.0 software is broken, or where the USB 2.0 software is being debugged. Specific features of this implementation of a debug port are:

- Only works with an external USB 2.0 debug device (console)
- Implemented for a specific port on the host controller
- Operational anytime the port is not suspended AND the host controller is in D0 power state.
- Capability is interrupted when port is driving USB RESET



### 5.20.10.1 Theory of Operation

There are two operational modes for the USB debug port:

1. Mode 1 is when the USB port is in a disabled state from the viewpoint of a standard host controller driver. In Mode 1, the Debug Port controller is required to generate a “keepalive” packets less than 2 ms apart to keep the attached debug device from suspending. The keepalive packet should be a standalone 32-bit SYNC field.
2. Mode 2 is when the host controller is running (i.e., host controller’s *Run/Stop#* bit is 1). In Mode 2, the normal transmission of SOF packets will keep the debug device from suspending.

#### Behavioral Rules

1. In both modes 1 and 2, the Debug Port controller must check for software requested debug transactions at least every 125 microseconds.
2. If the debug port is enabled by the debug driver, and the standard host controller driver resets the USB port, USB debug transactions are held off for the duration of the reset and until after the first SOF is sent.
3. If the standard host controller driver suspends the USB port, then USB debug transactions are held off for the duration of the suspend/resume sequence and until after the first SOF is sent.
4. The ENABLED\_CNT bit in the debug register space is independent of the similar port control bit in the associated Port Status and Control register.

Table 5-49 shows the debug port behavior related to the state of bits in the debug registers as well as bits in the associated Port Status and Control register.

Table 5-49. Debug Port Behavior (Sheet 1 of 2)

OWNER_CNT	ENABLED_CT	Port Enable	Run / Stop	Suspend	Debug Port Behavior
0	X	X	X	X	Debug port is not being used. Normal operation.
1	0	X	X	X	Debug port is not being used. Normal operation.
1	1	0	0	X	Debug port in Mode 1. SYNC keepalives sent plus debug traffic
1	1	0	1	X	Debug port in Mode 2. SOF (and only SOF) is sent as keepalive. Debug traffic is also sent. Note that no other normal traffic is sent out this port, because the port is not enabled.
1	1	1	0	0	Invalid. Host controller driver should not put the controller into this state (enabled, not running and not suspended).

**Table 5-49. Debug Port Behavior (Sheet 2 of 2)**

OWNER_CNT	ENABLED_CT	Port Enable	Run / Stop	Suspend	Debug Port Behavior
1	1	1	0	1	Port is suspended. No debug traffic sent.
1	1	1	1	0	Debug port in Mode 2. Debug traffic is interspersed with normal traffic.
1	1	1	1	1	Port is suspended. No debug traffic sent.

### 5.20.10.1.1 OUT Transactions

An Out transaction sends data to the debug device. It can occur only when the following are true:

- The debug port is enabled
- The debug software sets the GO\_CNT bit
- The WRITE\_READ#\_CNT bit is set

The sequence of the transaction is:

1. Software sets the appropriate values in the following bits:
  - USB\_ADDRESS\_CNF
  - USB\_ENDPOINT\_CNF
  - DATA\_BUFFER[63:0]
  - TOKEN\_PID\_CNT[7:0]
  - SEND\_PID\_CNT[15:8]
  - DATA\_LEN\_CNT
  - WRITE\_READ#\_CNT (note: this will always be 1 for OUT transactions)
  - GO\_CNT (note: this will always be 1 to initiate the transaction)
2. The debug port controller sends a token packet consisting of:
  - SYNC
  - TOKEN\_PID\_CNT field
  - USB\_ADDRESS\_CNT field
  - USB\_ENDPOINT\_CNT field
  - 5-bit CRC field
3. After sending the token packet, the debug port controller sends a data packet consisting of:
  - SYNC
  - SEND\_PID\_CNT field
  - The number of data bytes indicated in DATA\_LEN\_CNT from the DATA\_BUFFER
  - 16-bit CRC

NOTE: A DATA\_LEN\_CNT value of 0 is valid in which case no data bytes would be included in the packet.





4. After sending the data packet, the controller waits for a handshake response from the debug device.
  - If a handshake is received, the debug port controller:
    - a. Places the received PID in the RECEIVED\_PID\_STS field
    - b. Resets the ERROR\_GOOD#\_STS bit
    - c. Sets the DONE\_STS bit
  - If no handshake PID is received, the debug port controller:
    - a. Sets the EXCEPTION\_STS field to 001b
    - b. Sets the ERROR\_GOOD#\_STS bit
    - c. Sets the DONE\_STS bit

#### 5.20.10.1.2 IN Transactions

An IN transaction receives data from the debug device. It can occur only when the following are true:

- The debug port is enabled
- The debug software sets the GO\_CNT bit
- The WRITE\_READ#\_CNT bit is reset

The sequence of the transaction is:

1. Software sets the appropriate values in the following bits:
  - USB\_ADDRESS\_CNF
  - USB\_ENDPOINT\_CNF
  - TOKEN\_PID\_CNT[7:0]
  - DATA\_LEN\_CNT
  - WRITE\_READ#\_CNT (note: this will always be 0 for IN transactions)
  - GO\_CNT (note: this will always be 1 to initiate the transaction)
2. The debug port controller sends a token packet consisting of:
  - SYNC
  - TOKEN\_PID\_CNT field
  - USB\_ADDRESS\_CNT field
  - USB\_ENDPOINT\_CNT field
  - 5-bit CRC field.
3. After sending the token packet, the debug port controller waits for a response from the debug device.
 

If a response is received:

  - The received PID is placed into the RECEIVED\_PID\_STS field
  - Any subsequent bytes are placed into the DATA\_BUFFER
  - The DATA\_LEN\_CNT field is updated to show the number of bytes that were received after the PID.
4. If valid packet was received from the device that was one byte in length (indicating it was a handshake packet), then the debug port controller:
  - Resets the ERROR\_GOOD#\_STS bit
  - Sets the DONE\_STS bit

5. If valid packet was received from the device that was more than one byte in length (indicating it was a data packet), then the debug port controller:
  - Transmits an ACK handshake packet
  - Resets the ERROR\_GOOD#\_STS bit
  - Sets the DONE\_STS bit
6. If no valid packet is received, then the debug port controller:
  - Sets the EXCEPTION\_STS field to 001b
  - Sets the ERROR\_GOOD#\_STS bit
  - Sets the DONE\_STS bit.

### 5.20.10.1.3 Debug Software

#### Enabling the Debug Port

There are two mutually exclusive conditions that debug software must address as part of its startup processing:

- The EHCI has been initialized by system software
- The EHCI has not been initialized by system software

Debug software can determine the current 'initialized' state of the EHCI by examining the Configure Flag in the EHCI USB 2.0 Command Register. If this flag is set, then system software has initialized the EHCI. Otherwise the EHCI should not be considered initialized. Debug software will initialize the debug port registers depending on the state the EHCI. However, before this can be accomplished, debug software must determine which root USB port is designated as the debug port.

#### Determining the Debug Port

Debug software can easily determine which USB root port has been designated as the debug port by examining bits 20:23 of the EHCI Host Controller Structural Parameters register. This 4-bit field represents the numeric value assigned to the debug port (i.e., 0001=port 0).

#### Debug Software Startup with Non-Initialized EHCI

Debug software can attempt to use the debug port if after setting the OWNER\_CNT bit, the Current Connect Status bit in the appropriate (See Determining the Debug Port) PORTSC register is set. If the Current Connect Status bit is not set, then debug software may choose to terminate or it may choose to wait until a device is connected.

If a device is connected to the port, then debug software must reset/enable the port. Debug software does this by setting and then clearing the Port Reset bit the PORTSC register. To ensure a successful reset, debug software should wait at least 50 ms before clearing the Port Reset bit. Due to possible delays, this bit may not change to 0 immediately; reset is complete when this bit reads as 0. Software must not continue until this bit reads 0.

If a high-speed device is attached, the EHCI will automatically set the Port Enabled/Disabled bit in the PORTSC register and the debug software can proceed. Debug software should set the ENABLED\_CNT bit in the Debug Port Control/Status register, and then reset (clear) the Port Enabled/Disabled bit in the PORTSC register (so that the system host controller driver does not see an enabled port when it is first loaded).



## Debug Software Startup with Initialized EHCI

Debug software can attempt to use the debug port if the Current Connect Status bit in the appropriate (See Determining the Debug Port) PORTSC register is set. If the Current Connect Status bit is not set, then debug software may choose to terminate or it may choose to wait until a device is connected.

If a device is connected, then debug software must set the OWNER\_CNT bit and then the ENABLED\_CNT bit in the Debug Port Control/Status register.

## Determining Debug Peripheral Presence

After enabling the debug port functionality, debug software can determine if a debug peripheral is attached by attempting to send data to the debug peripheral. If all attempts result in an error (Exception bits in the Debug Port Control/Status register indicates a Transaction Error), then the attached device is not a debug peripheral. If the debug port peripheral is not present, then debug software may choose to terminate or it may choose to wait until a debug peripheral is connected.

## 5.21 SMBus Controller (D31:F3)

The ICH7 provides an System Management Bus (SMBus) 2.0 host controller as well as an SMBus Slave Interface. The host controller provides a mechanism for the processor to initiate communications with SMBus peripherals (slaves). The ICH7 is also capable of operating in a mode in which it can communicate with I<sup>2</sup>C compatible devices.

The ICH7 can perform SMBus messages with either packet error checking (PEC) enabled or disabled. The actual PEC calculation and checking is performed in hardware by the ICH7.

The Slave Interface allows an external master to read from or write to the ICH7. Write cycles can be used to cause certain events or pass messages, and the read cycles can be used to determine the state of various status bits. The ICH7's internal host controller cannot access the ICH7's internal Slave Interface.

The ICH7 SMBus logic exists in Device 31:Function 3 configuration space, and consists of a transmit data path, and host controller. The transmit data path provides the data flow logic needed to implement the seven different SMBus command protocols and is controlled by the host controller. The ICH7 SMBus controller logic is clocked by RTC clock.

The SMBus Address Resolution Protocol (ARP) is supported by using the existing host controller commands through software, except for the new Host Notify command (which is actually a received message).

The programming model of the host controller is combined into two portions: a PCI configuration portion, and a system I/O mapped portion. All static configuration, such as the I/O base address, is done via the PCI configuration space. Real-time programming of the Host interface is done in system I/O space.

The ICH7 SMBus host controller checks for parity errors as a target. If an error is detected, the detected parity error bit in the PCI Status Register (Device 31:Function 3:Offset 06h:bit 15) is set. If bit 6 and bit 8 of the PCI Command Register (Device 31:Function 3:Offset 04h) are set, an SERR# is generated and the signaled SERR# bit in the PCI Status Register (bit 14) is set.



### 5.21.1 Host Controller

The SMBus host controller is used to send commands to other SMBus slave devices. Software sets up the host controller with an address, command, and, for writes, data and optional PEC; and then tells the controller to start. When the controller has finished transmitting data on writes, or receiving data on reads, it generates an SMI# or interrupt, if enabled.

The host controller supports 8 command protocols of the SMBus interface (see *System Management Bus (SMBus) Specification, Version 2.0*): Quick Command, Send Byte, Receive Byte, Write Byte/Word, Read Byte/Word, Process Call, Block Read/Write, Block Write–Block Read Process Call, and Host Notify.

The SMBus host controller requires that the various data and command fields be setup for the type of command to be sent. When software sets the START bit, the SMBus Host controller performs the requested transaction, and interrupts the processor (or generates an SMI#) when the transaction is completed. Once a START command has been issued, the values of the “active registers” (Host Control, Host Command, Transmit Slave Address, Data 0, Data 1) should not be changed or read until the interrupt status bit (INTR) has been set (indicating the completion of the command). Any register values needed for computation purposes should be saved prior to issuing of a new command, as the SMBus host controller updates all registers while completing the new command.

Using the SMB host controller to send commands to the ICH7's SMB slave port is supported. The ICH7 supports the *System Management Bus (SMBus) Specification, Version 2.0*. Slave functionality, including the Host Notify protocol, is available on the SMBus pins. The SMLink and SMBus signals should not be tied together externally.

#### 5.21.1.1 Command Protocols

In all of the following commands, the Host Status Register (offset 00h) is used to determine the progress of the command. While the command is in operation, the HOST\_BUSY bit is set. If the command completes successfully, the INTR bit will be set in the Host Status Register. If the device does not respond with an acknowledge, and the transaction times out, the DEV\_ERR bit is set. If software sets the KILL bit in the Host Control Register while the command is running, the transaction will stop and the FAILED bit will be set.

##### Quick Command

When programmed for a Quick Command, the Transmit Slave Address Register is sent. The PEC byte is not appended to the Quick Protocol. Software should force the PEC\_EN bit to 0 when performing the Quick Command. Software must force the I2C\_EN bit to 0 when running this command. See section 5.5.1 of the *System Management Bus (SMBus) Specification, Version 2.0* for the format of the protocol.

##### Send Byte / Receive Byte

For the Send Byte command, the Transmit Slave Address and Device Command Registers are sent

For the Receive Byte command, the Transmit Slave Address Register is sent. The data received is stored in the DATA0 register. Software must force the I2C\_EN bit to 0 when running this command.

The Receive Byte is similar to a Send Byte, the only difference is the direction of data transfer. See sections 5.5.2 and 5.5.3 of the *System Management Bus (SMBus) Specification, Version 2.0* for the format of the protocol.



## Write Byte/Word

The first byte of a Write Byte/Word access is the command code. The next 1 or 2 bytes are the data to be written. When programmed for a Write Byte/Word command, the Transmit Slave Address, Device Command, and Data0 Registers are sent. In addition, the Data1 Register is sent on a Write Word command. Software must force the I2C\_EN bit to 0 when running this command. See section 5.5.4 of the *System Management Bus (SMBus) Specification*, Version 2.0 for the format of the protocol.

## Read Byte/Word

Reading data is slightly more complicated than writing data. First the ICH7 must write a command to the slave device. Then it must follow that command with a repeated start condition to denote a read from that device's address. The slave then returns 1 or 2 bytes of data. Software must force the I2C\_EN bit to 0 when running this command.

When programmed for the read byte/word command, the Transmit Slave Address and Device Command Registers are sent. Data is received into the DATA0 on the read byte, and the DATA0 and DATA1 registers on the read word. See section 5.5.5 of the *System Management Bus (SMBus) Specification*, Version 2.0 for the format of the protocol.

## Process Call

The process call is so named because a command sends data and waits for the slave to return a value dependent on that data. The protocol is simply a Write Word followed by a Read Word, but without a second command or stop condition.

When programmed for the Process Call command, the ICH7 transmits the Transmit Slave Address, Host Command, DATA0 and DATA1 registers. Data received from the device is stored in the DATA0 and DATA1 registers. The Process Call command with I2C\_EN set and the PEC\_EN bit set produces undefined results. Software must force either I2C\_EN or PEC\_EN to 0 when running this command. See section 5.5.6 of the *System Management Bus (SMBus) Specification*, Version 2.0 for the format of the protocol.

**Note:** For process call command, the value written into bit 0 of the Transmit Slave Address Register (SMB I/O register, offset 04h) needs to be 0.

**Note:** If the I2C\_EN bit is set, the protocol sequence changes slightly: the Command Code (bits 18:11 in the bit sequence) are not sent - as a result, the slave will not acknowledge (bit 19 in the sequence).

## Block Read/Write

The ICH7 contains a 32-byte buffer for read and write data which can be enabled by setting bit 1 of the Auxiliary Control register at offset 0Dh in I/O space, as opposed to a single byte of buffering. This 32-byte buffer is filled with write data before transmission, and filled with read data on reception. In the ICH7, the interrupt is generated only after a transmission or reception of 32 bytes, or when the entire byte count has been transmitted/received.

The byte count field is transmitted but ignored by the ICH7 as software will end the transfer after all bytes it cares about have been sent or received.

For a Block Write, software must either force the I2C\_EN bit or both the PEC\_EN and AAC bits to 0 when running this command.



The block write begins with a slave address and a write condition. After the command code the ICH7 issues a byte count describing how many more bytes will follow in the message. If a slave had 20 bytes to send, the first byte would be the number 20 (14h), followed by 20 bytes of data. The byte count may not be 0. A Block Read or Write is allowed to transfer a maximum of 32 data bytes.

When programmed for a block write command, the Transmit Slave Address, Device Command, and Data0 (count) registers are sent. Data is then sent from the Block Data Byte register; the total data sent being the value stored in the Data0 Register. On block read commands, the first byte received is stored in the Data0 register, and the remaining bytes are stored in the Block Data Byte register. See section 5.5.7 of the *System Management Bus (SMBus) Specification, Version 2.0* for the format of the protocol.

**Note:** For Block Write, if the I2C\_EN bit is set, the format of the command changes slightly. The ICH7 will still send the number of bytes (on writes) or receive the number of bytes (on reads) indicated in the DATA0 register. However, it will not send the contents of the DATA0 register as part of the message. Also, the Block Write protocol sequence changes slightly: the Byte Count (bits 27:20 in the bit sequence) are not sent - as a result, the slave will not acknowledge (bit 28 in the sequence).

### I<sup>2</sup>C Read

This command allows the ICH7 to perform block reads to certain I<sup>2</sup>C devices, such as serial E<sup>2</sup>PROMs. The SMBus Block Read supports the 7-bit addressing mode only.

However, this does not allow access to devices using the I<sup>2</sup>C "Combined Format" that has data bytes after the address. Typically these data bytes correspond to an offset (address) within the serial memory chips.

**Note:** This command is supported independent of the setting of the I2C\_EN bit. The I<sup>2</sup>C Read command with the PEC\_EN bit set produces undefined results. Software must force both the PEC\_EN and AAC bit to 0 when running this command.

For I<sup>2</sup>C Read command, the value written into bit 0 of the Transmit Slave Address Register (SMB I/O register, offset 04h) needs to be 0.



The format that is used for the command is shown in [Table 5-50](#).

**Table 5-50. I<sup>2</sup>C Block Read**

Bit	Description
1	Start
8:2	Slave Address — 7 bits
9	Write
10	Acknowledge from slave
18:11	Send DATA1 register
19	Acknowledge from slave
20	Repeated Start
27:21	Slave Address — 7 bits
28	Read
29	Acknowledge from slave
37:30	Data byte 1 from slave — 8 bits
38	Acknowledge
46:39	Data byte 2 from slave — 8 bits
47	Acknowledge
–	Data bytes from slave / Acknowledge
–	Data byte N from slave — 8 bits
–	NOT Acknowledge
–	Stop

The ICH7 will continue reading data from the peripheral until the NAK is received.

### Block Write–Block Read Process Call

The block write-block read process call is a two-part message. The call begins with a slave address and a write condition. After the command code the host issues a write byte count (*M*) that describes how many more bytes will be written in the first part of the message. If a master has 6 bytes to send, the byte count field will have the value 6 (0000 0110b), followed by the 6 bytes of data. The write byte count (*M*) cannot be 0.

The second part of the message is a block of read data beginning with a repeated start condition followed by the slave address and a Read bit. The next byte is the read byte count (*N*), which may differ from the write byte count (*M*). The read byte count (*N*) cannot be 0.

The combined data payload must not exceed 32 bytes. The byte length restrictions of this process call are summarized as follows:

- $M \geq 1$  byte
- $N \geq 1$  byte
- $M + N \leq 32$  bytes

The read byte count does not include the PEC byte. The PEC is computed on the total message beginning with the first slave address and using the normal PEC computational rules. It is highly recommended that a PEC byte be used with the Block Write-Block Read Process Call. Software must do a read to the command register (offset 2h) to reset the 32 byte buffer pointer prior to reading the block data register.



Note that there is no STOP condition before the repeated START condition, and that a NACK signifies the end of the read transfer.

**Note:** E32B bit in the Auxiliary Control register must be set when using this protocol.

See section 5.5.8 of the *System Management Bus (SMBus) Specification, Version 2.0* for the format of the protocol.

## 5.21.2 Bus Arbitration

Several masters may attempt to get on the bus at the same time by driving the SMBDATA line low to signal a start condition. The ICH7 continuously monitors the SMBDATA line. When the ICH7 is attempting to drive the bus to a 1 by letting go of the SMBDATA line, and it samples SMBDATA low, then some other master is driving the bus and the ICH7 will stop transferring data.

If the ICH7 sees that it has lost arbitration, the condition is called a collision. The ICH7 will set the BUS\_ERR bit in the Host Status Register, and if enabled, generate an interrupt or SMI#. The processor is responsible for restarting the transaction.

When the ICH7 is a SMBus master, it drives the clock. When the ICH7 is sending address or command as an SMBus master, or data bytes as a master on writes, it drives data relative to the clock it is also driving. It will not start toggling the clock until the start or stop condition meets proper setup and hold time. The ICH7 will also provide minimum time between SMBus transactions as a master.

**Note:** The ICH7 supports the same arbitration protocol for both the SMBus and the System Management (SMLINK) interfaces.

## 5.21.3 Bus Timing

### 5.21.3.1 Clock Stretching

Some devices may not be able to handle their clock toggling at the rate that the ICH7 as an SMBus master would like. They have the capability of stretching the low time of the clock. When the ICH7 attempts to release the clock (allowing the clock to go high), the clock will remain low for an extended period of time.

The ICH7 monitors the SMBus clock line after it releases the bus to determine whether to enable the counter for the high time of the clock. While the bus is still low, the high time counter must not be enabled. Similarly, the low period of the clock can be stretched by an SMBus master if it is not ready to send or receive data.

### 5.21.3.2 Bus Time Out (Intel® ICH7 as SMBus Master)

If there is an error in the transaction, such that an SMBus device does not signal an acknowledge, or holds the clock lower than the allowed time-out time, the transaction will time out. The ICH7 will discard the cycle and set the DEV\_ERR bit. The time out minimum is 25 ms (800 RTC clocks). The time-out counter inside the ICH7 will start after the last bit of data is transferred by the ICH7 and it is waiting for a response.

The 25 ms timeout counter will not count under the following conditions:

1. BYTE\_DONE\_STATUS bit (SMBus I/O Offset 00h, bit 7) is set
2. The SECOND\_TO\_STS bit (TCO I/O Offset 06h, bit 1) is not set (this indicates that the system has not locked up).





### 5.21.4 Interrupts / SMI #

The ICH7 SMBus controller uses PIRQB# as its interrupt pin. However, the system can alternatively be set up to generate SMI# instead of an interrupt, by setting the SMBUS\_SMI\_EN bit (Device 31:Function 0:Offset 40h:bit 1).

Table 5-52 and Table 5-53 specify how the various enable bits in the SMBus function control the generation of the interrupt, Host and Slave SMI, and Wake internal signals. The rows in the tables are additive, which means that if more than one row is true for a particular scenario then the Results for all of the activated rows will occur.

**Table 5-51. Enable for SMBALERT#**

Event	INTREN (Host Control I/O Register, Offset 02h, Bit 0)	SMB_SMI_EN (Host Configuration Register, D31:F3:Offset 40h, Bit 1)	SMBALERT_DIS (Slave Command I/O Register, Offset 11h, Bit 2)	Result
SMBALERT# asserted low (always reported in Host Status Register, Bit 5)	X	X	X	Wake generated
	X	1	0	Slave SMI# generated (SMBUS_SMI_STS)
	1	0	0	Interrupt generated

**Table 5-52. Enables for SMBus Slave Write and SMBus Host Events**

Event	INTREN (Host Control I/O Register, Offset 02h, Bit 0)	SMB_SMI_EN (Host Configuration Register, D31:F3:Offset 40h, Bit1)	Event
Slave Write to Wake/SMI# Command	X	X	Wake generated when asleep. Slave SMI# generated when awake (SMBUS_SMI_STS).
Slave Write to SMLINK_SLAVE_SMI Command	X	X	Slave SMI# generated when in the S0 state (SMBUS_SMI_STS)
Any combination of Host Status Register [4:1] asserted	0	X	None
	1	0	Interrupt generated
	1	1	Host SMI# generated

**Table 5-53. Enables for the Host Notify Command**

HOST_NOTIFY_INTREN (Slave Control I/O Register, Offset 11h, bit 0)	SMB_SMI_EN (Host Config Register, D31:F3:Off40h, Bit 1)	HOST_NOTIFY_WKEN (Slave Control I/O Register, Offset 11h, bit 1)	Result
0	X	0	None
X	X	1	Wake generated
1	0	X	Interrupt generated
1	1	X	Slave SMI# generated (SMBUS_SMI_STS)

### 5.21.5 SMBALERT#

SMBALERT# is multiplexed with GPIO11. When enable and the signal is asserted, The ICH7 can generate an interrupt, an SMI#, or a wake event from S1–S5.

**Note:** Any event on SMBALERT# (regardless whether it is programmed as a GPI or not), causes the event message to be sent in heartbeat mode.

### 5.21.6 SMBus CRC Generation and Checking

If the AAC bit is set in the Auxiliary Control register, the ICH7 automatically calculates and drives CRC at the end of the transmitted packet for write cycles, and will check the CRC for read cycles. It will not transmit the contents of the PEC register for CRC. The PEC bit must not be set in the Host Control register if this bit is set, or unspecified behavior will result.

If the read cycle results in a CRC error, the DEV\_ERR bit and the CRCE bit in the Auxiliary Status register at offset 0Ch will be set.

### 5.21.7 SMBus Slave Interface

The ICH7's SMBus Slave interface is accessed via the SMBus. The SMBus slave logic will not generate or handle receiving the PEC byte and will only act as a Legacy Alerting Protocol device. The slave interface allows the ICH7 to decode cycles, and allows an external microcontroller to perform specific actions. Key features and capabilities include:

- Supports decode of three types of messages: Byte Write, Byte Read, and Host Notify.
- Receive Slave Address register: This is the address that the ICH7 decodes. A default value is provided so that the slave interface can be used without the processor having to program this register.
- Receive Slave Data register in the SMBus I/O space that includes the data written by the external microcontroller.
- Registers that the external microcontroller can read to get the state of the ICH7.
- Status bits to indicate that the SMBus slave logic caused an interrupt or SMI# due to the reception of a message that matched the slave address.
  - Bit 0 of the Slave Status Register for the Host Notify command
  - Bit 16 of the SMI Status Register (Section 10.8.3.13) for all others



**Note:** The external microcontroller should not attempt to access the ICH7's SMBus slave logic until either:

- 800 milliseconds after both: RTEST# is high and RSMRST# is high, OR
- the PLTRST# de-asserts

The 800 ms case is based on the scenario where the RTC Battery is dead or missing such that the RTC Power Well comes up simultaneously with Suspend Well. In this case, the RTC clock may take a while to stabilize. The ICH7 uses the RTC clock to extend the internal RSMRST# by ~100 ms. Therefore, if the clock is slow to toggle, this time could be extended. 800 ms is assumed to be sufficient guardband for this.

If a master leaves the clock and data bits of the SMBus interface at 1 for 50  $\mu$ s or more in the middle of a cycle, the ICH7 slave logic's behavior is undefined. This is interpreted as an unexpected idle and should be avoided when performing management activities to the slave logic.

**Note:** When an external microcontroller accesses the SMBus Slave Interface over the SMBus a translation in the address is needed to accommodate the least significant bit used for read/write control. For example, if the ICH7 slave address (RCV\_SLVA) is left at 44h (default), the external micro controller would use an address of 88h/89h (write/read).

### 5.21.7.1 Format of Slave Write Cycle

The external master performs Byte Write commands to the ICH7 SMBus Slave I/F. The "Command" field (bits 11:18) indicate which register is being accessed. The Data field (bits 20:27) indicate the value that should be written to that register.

**Note:** If the ICH7 is sent a 'Hard Reset Without Cycling' command on SMBus while the system is in S4 or S5, the reset command will not be executed until the next wake event. SMBus write commands sent after the Hard Reset Without Cycling command and before the wake event will be NAKed by the ICH7. This also applies to any SMBus wake commands sent after a Hard Reset Without Cycling command, such that the SMBus wake command will not cause the system to wake. Any SMBus read that is accepted by the ICH7 will complete normally. Intel<sup>®</sup> Active Management Technology is not impacted as Intel AMT does not use the Hard Reset Without Cycling command while the system is in S4 or S5.

Table 5-54 has the values associated with the registers.

**Table 5-54. Slave Write Registers**

Register	Function
0	Command Register. See Table 5-55 below for legal values written to this register.
1-3	Reserved
4	Data Message Byte 0
5	Data Message Byte 1
6-7	Reserved
8	Reserved
9-FFh	Reserved

**NOTE:** The external microcontroller is responsible to make sure that it does not update the contents of the data byte registers until they have been read by the system processor. The ICH7 overwrites the old value with any new value received. A race condition is possible where the new value is being written to the register just at the time it is being read. ICH7 will not attempt to cover this race condition (i.e., unpredictable results in this case).



Table 5-55. Command Types

Command Type	Description
0	Reserved
1	<b>WAKE/SMI#.</b> This command wakes the system if it is not already awake. If system is already awake, an SMI# is generated. <b>NOTE:</b> The SMB_WAK_STS bit will be set by this command, even if the system is already awake. The SMI handler should then clear this bit.
2	<b>Unconditional Powerdown.</b> This command sets the PWRBTNOR_STS bit, and has the same effect as the Powerbutton Override occurring.
3	<b>HARD RESET WITHOUT CYCLING:</b> This command causes a hard reset of the system (does not include cycling of the power supply). This is equivalent to a write to the CF9h register with bits 2:1 set to 1, but bit 3 set to 0.
4	<b>HARD RESET SYSTEM.</b> This command causes a hard reset of the system (including cycling of the power supply). This is equivalent to a write to the CF9h register with bits 3:1 set to 1.
5	<b>Disable the TCO Messages.</b> This command will disable the Intel® ICH7 from sending Heartbeat and Event messages (as described in <a href="#">Section 5.15.2</a> ). Once this command has been executed, Heartbeat and Event message reporting can only be re-enabled by assertion and deassertion of the RSMRST# signal.
6	<b>WD RELOAD:</b> Reload watchdog timer.
7	Reserved
8	<b>SMLINK_SLV_SMI.</b> When ICH7 detects this command type while in the S0 state, it sets the SMLINK_SLV_SMI_STS bit (see <a href="#">Section 10.9.5</a> ). This command should only be used if the system is in an S0 state. If the message is received during S1–S5 states, the ICH7 acknowledges it, but the SMLINK_SLV_SMI_STS bit does not get set.  Note: It is possible that the system transitions out of the S0 state at the same time that the SMLINK_SLV_SMI command is received. In this case, the SMLINK_SLV_SMI_STS bit may get set but not serviced before the system goes to sleep. Once the system returns to S0, the SMI associated with this bit would then be generated. Software must be able to handle this scenario.
9–FFh	Reserved



### 5.21.7.2 Format of Read Command

The external master performs Byte Read commands to the ICH7 SMBus Slave I/F. The “Command” field (bits 18:11) indicate which register is being accessed. The Data field (bits 30:37) contain the value that should be read from that register. Table [Table 5-56](#) shows the Read Cycle Format. [Table 5-57](#) shows the register mapping for the data byte.

**Table 5-56. Read Cycle Format**

Bit	Description	Driven by	Comment
1	Start	External Microcontroller	
8:2	Slave Address - 7 bits	External Microcontroller	Must match value in Receive Slave Address register
9	Write	External Microcontroller	Always 0
10	ACK	Intel® ICH7	
18:11	Command code - 8 bits	External Microcontroller	Indicates which register is being accessed See <a href="#">Table 5-57</a>
19	ACK	ICH7	
20	Repeated Start	External Microcontroller	
27:21	Slave Address - 7 bits	External Microcontroller	Must match value in Receive Slave Address register
28	Read	External Microcontroller	Always 1
29	ACK	ICH7	
37:30	Datay Byte	ICH7	Value depends on register being accessed. See <a href="#">Table 5-57</a>
38	NOT ACK	External Microcontroller	
39	Stop	External Microcontroller	

**Table 5-57. Data Values for Slave Read Registers**

Register	Bits	Description
0	7:0	Reserved
1	2:0	System Power State 000 = S0 001 = S1 010 = Reserved 011 = S3 100 = S4 101 = S5 110 = Reserved 111 = Reserved
1	7:3	Reserved
2	3:0	Frequency Strap Register
2	7:4	Reserved
3	5:0	Watchdog Timer current value
3	7:6	Reserved

**Table 5-57. Data Values for Slave Read Registers**

Register	Bits	Description
4	0	1 = The Intruder Detect (INTRD_DET) bit is set. This indicates that the system cover has probably been opened.
4	1	1 = BTI Temperature Event occurred. This bit will be set if the Intel® ICH7's THRM# input signal is active. Need to take after polarity control.
4	2	Boot-status. This bit will be 1 when the processor does not fetch the first instruction.
4	3	This bit will be set after the TCO timer times out a second time (Both TIMEOUT and SECOND_TO_STS bits set).
4	6:4	Reserved
4	7	The bit will reflect the state of the GPI11/SMBALERT# signal, and will depend on the GP_INV11 bit. It does not matter if the pin is configured as GPI11 or SMBALERT#. <ul style="list-style-type: none"> <li>• If the GP_INV11 bit is 1, the value of register 4 bit 7 will equal the level of the GPI11/SMBALERT# pin (high = 1, low = 0).</li> <li>• If the GP_INV11 bit is 0, the value of register 4 bit 7 will equal the inverse of the level of the GPI11/SMBALERT# pin (high = 1, low = 0).</li> </ul>
5	0	Unprogrammed flash BIOS bit. This bit will be 1 to indicate that the first BIOS fetch returned FFh, that indicates that the flash BIOS is probably blank.
5	1	Reserved (Desktop Only) Battery Low Status (Mobile/Ultra Mobile Only). 1 if BATLOW# is '0'
5	2	Processor Power Failure Status. 1 if the CPUPWR_FLR bit in the GEN_PMCON_2 register is set.
5	3	INIT# due to receiving Shutdown message. This event is visible from the reception of the shutdown message until a platform reset is done. Events on signal will not create an event message.
5	4	LT Range: LT reset indication. Events on signal will not create an event message.
5	5	POWER_OK_BAD: Indicates the failure core power well ramp during boot/resume. This bit will be active if the SLP_S3# pin is de-asserted and PWROK pin is not asserted.
5	6	Thermal Trip: This bit will shadow the state of CPU Thermal Trip status bit (CTS). Events on signal will not create an event message.
5	7	Reserved
6	7:0	Contents of the Message 1 register.
7	7:0	Contents of the Message 2 register.
8	7:0	Contents of the WDSTATUS register.
9-FFh	7:0	Reserved

#### 5.21.7.2.1 Behavioral Notes

According to SMBus protocol, Read and Write messages always begin with a Start bit – Address– Write bit sequence. When the ICH7 detects that the address matches the value in the Receive Slave Address register, it will assume that the protocol is always followed and ignore the Write bit (bit 9) and signal an Acknowledge during bit 10. In



other words, if a Start–Address–Read occurs (which is invalid for SMBus Read or Write protocol), and the address matches the ICH7's Slave Address, the ICH7 will still grab the cycle.

Also according to SMBus protocol, a Read cycle contains a Repeated Start–Address–Read sequence beginning at bit 20. Once again, if the Address matches the ICH7's Receive Slave Address, it will assume that the protocol is followed, ignore bit 28, and proceed with the Slave Read cycle.

**Note:** An external microcontroller must not attempt to access the ICH7's SMBus Slave logic until at least 1 second after both RTCRST# and RSMRST# are deasserted (high).

### 5.21.7.3 Format of Host Notify Command

The ICH7 tracks and responds to the standard Host Notify command as specified in the *System Management Bus (SMBus) Specification, Version 2.0*. The host address for this command is fixed to 0001000b. If the ICH7 already has data for a previously-received host notify command which has not been serviced yet by the host software (as indicated by the HOST\_NOTIFY\_STS bit), then it will NACK following the host address byte of the protocol. This allows the host to communicate non-acceptance to the master and retain the host notify address and data values for the previous cycle until host software completely services the interrupt.

**Note:** Host software must always clear the HOST\_NOTIFY\_STS bit after completing any necessary reads of the address and data registers.

Table 5-58 shows the Host Notify format.

**Table 5-58. Host Notify Format**

Bit	Description	Driven By	Comment
1	Start	External Master	
8:2	SMB Host Address — 7 bits	External Master	Always 0001_000
9	Write	External Master	Always 0
10	ACK (or NACK)	Intel® ICH7	ICH7 NACKs if HOST_NOTIFY_STS is 1
17:11	Device Address – 7 bits	External Master	Indicates the address of the master; loaded into the Notify Device Address Register
18	Unused — Always 0	External Master	7-bit-only address; this bit is inserted to complete the byte
19	ACK	ICH7	
27:20	Data Byte Low — 8 bits	External Master	Loaded into the Notify Data Low Byte Register
28	ACK	ICH7	
36:29	Data Byte High — 8 bits	External Master	Loaded into the Notify Data High Byte Register
37	ACK	ICH7	
38	Stop	External Master	



## 5.22 AC '97 Controller (Audio D30:F2, Modem D30:F3) (Desktop and Mobile Only)

**Note:** All references to AC '97 in this document refer to the *AC '97 Specification, Version 2.3*. For further information on the operation of the AC-link protocol, see the *AC '97 Specification, Version 2.3*.

The ICH7 AC '97 controller features include:

- Independent PCI functions for audio and modem.
- Independent bus master logic for dual Microphone input, dual PCM Audio input (2-channel stereo per input), PCM audio output (2-, 4- or 6-channel audio), Modem input, Modem output and S/PDIF output.
- 20-bit sample resolution
- Multiple sample rates up to 48 kHz
- Support for 16 codec-implemented GPIOs
- Single modem line
- Configure up to three codecs with three ACZ\_SDIN pins

Table 5-59 shows a detailed list of features supported by the ICH7 AC '97 digital controller

**Table 5-59. Features Supported by Intel® ICH7 (Sheet 1 of 2)**

Feature	Description
System Interface	<ul style="list-style-type: none"> <li>• Isochronous low latency bus master memory interface</li> <li>• Scatter/gather support for word-aligned buffers in memory (all mono or stereo 20-bit and 16-bit data types are supported, no 8-bit data types are supported)</li> <li>• Data buffer size in system memory from 3 to 65535 samples per input</li> <li>• Data buffer size in system memory from 0 to 65535 samples per output</li> <li>• Independent PCI audio and modem functions with configuration and I/O spaces</li> <li>• AC '97 codec registers are shadowed in system memory via driver</li> <li>• AC '97 codec register accesses are serialized via semaphore bit in PCI I/O space (new accesses are not allowed while a prior access is still in progress)</li> </ul>
Power Management	<ul style="list-style-type: none"> <li>• Power management via PCI Power Management</li> </ul>
PCI Audio Function	<ul style="list-style-type: none"> <li>• Read/write access to audio codec registers 00h–3Ah and vendor registers 5Ah–7Eh</li> <li>• 20-bit stereo PCM output, up to 48 kHz (L,R, Center, Sub-woofer, L-rear and R-rear channels on slots 3,4,6,7,8,9,10,11)</li> <li>• 16-bit stereo PCM input, up to 48 kHz (L,R channels on slots 3,4)</li> <li>• 16-bit mono mic in w/ or w/o mono mix, up to 48 kHz (L,R channel, slots 3,4) (mono mix supports mono hardware AEC reference for speakerphone)</li> <li>• 16-bit mono PCM input, up to 48 kHz from dedicated mic ADC (slot 6) (supports speech recognition or stereo hardware AEC ref for speakerphone)</li> <li>• During cold reset ACZ_RST# is held low until after POST and software deassertion of ACZ_RST# (supports passive PC_BEEP to speaker connection during POST)</li> </ul>
PCI Modem function	<ul style="list-style-type: none"> <li>• Read/write access to modem codec registers 3Ch–58h and vendor registers 5Ah–7Eh</li> <li>• 16-bit mono modem line 1 output and input, up to 48 kHz (slot 5)</li> <li>• Low latency GPIO[15:0] via hardwired update between slot 12 and PCI I/O register</li> <li>• Programmable PCI interrupt on modem GPIO input changes via slot 12 GPIO_INT</li> <li>• SCI event generation on ACZ_SDIN[2:0] wake-up signal</li> </ul>





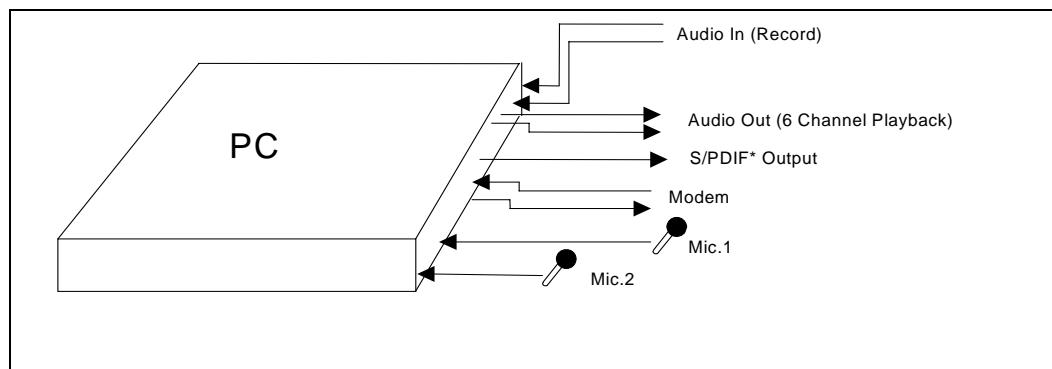
**Table 5-59. Features Supported by Intel® ICH7 (Sheet 2 of 2)**

Feature	Description
AC-link	<ul style="list-style-type: none"> <li>AC '97 2.3 AC-link interface</li> <li>Variable sample rate output support via AC '97 SLOTREQ protocol (slots 3,4,5,6,7,8,9,10,11)</li> <li>Variable sample rate input support via monitoring of slot valid tag bits (slots 3,4,5,6)</li> <li>3.3 V digital operation meets AC '97 2.3 DC switching levels</li> <li>AC-link I/O driver capability meets AC '97 2.3 triple codec specifications</li> <li>Codec register status reads must be returned with data in the next AC-link frame, per <i>AC '97 Specification, Version 2.3</i>.</li> </ul>
Multiple Codec	<ul style="list-style-type: none"> <li>Triple codec addressing: All AC '97 Audio codec register accesses are addressable to codec ID 00 (primary), codec ID 01 (secondary), or codec ID 10 (tertiary).</li> <li>Modem codec addressing: All AC '97 Modem codec register accesses are addressable to codec ID 00 (primary) or codec ID 01 (secondary).</li> <li>Triple codec receive capability via ACZ_SDIN[2:0] pins (ACZ_SDIN[2:0] frames are internally validated, synchronized, and OR'd depending on the Steer Enable bit status in the SDM register)</li> <li>ACZ_SDIN mapping to DMA engine mapping capability allows for simultaneous input from two different audio codecs.</li> </ul> <p><b>NOTES:</b></p> <ol style="list-style-type: none"> <li>Audio Codec IDs are remappable and not limited to 00,01,10.</li> <li>Modem Codec IDs are remappable and limited to 00, 01.</li> <li>When using multiple codecs, the Modem Codec must be ID 01.</li> </ol>

**Note:** Throughout this document, references to D31:F5 indicate that the audio function exists in PCI Device 31, Function 5. References to D31:F6 indicate that the modem function exists in PCI Device 31, Function 6.

**Note:** Throughout this document references to tertiary, third, or triple codecs refer to the third codec in the system connected to the ACZ\_SDIN2 pin. The *AC '97 Specification, Version 2.3* refers to non-primary codecs as multiple secondary codecs. To avoid confusion and excess verbiage, this datasheet refers to it as the third or tertiary codec.

**Figure 5-12. Intel® ICH7-Based Audio Codec '97 Specification, Version 2.3**



## 5.22.1 PCI Power Management

This Power Management section applies for all AC '97 controller functions. After a power management event is detected, the AC '97 controller wakes the host system. The following sections describe these events and the AC '97 controller power states.

### Device Power States

The AC '97 controller supports D0 and D3 PCI Power Management states. The following are notes regarding the AC '97 controller implementation of the Device States:

1. The AC '97 controller hardware does not inherently consume any more power when it is in the D0 state than it does in D3 state. However, software can halt the DMA engine prior to entering these low power states such that the maximum power consumption is reduced.
2. In the D0 state, all implemented AC '97 controller features are enabled.
3. In D3 state, accesses to the AC '97 controller memory-mapped or I/O range results in master abort.
4. In D3 state, the AC '97 controller interrupt will not assert for any reason. The internal PME# signal is used to signal wake events, etc.
5. When the Device Power State field is written from D3<sub>HOT</sub> to D0, an internal reset is generated. See [Section 17.1](#) for general rules on the effects of this reset.
6. AC97 STS bit is set only when the audio or modem resume events were detected and their respective PME enable bits were set.
7. GPIO Status change interrupt no longer has a direct path to the AC97 STS bit. This causes a wake up event only if the modem controller was in D3
8. Resume events on ACZ\_SDIN[2:0] cause resume interrupt status bits to be set only if their respective controllers are not in D3.
9. Edge detect logic prevents the interrupts from being asserted in case the AC97 controller is switched from D3 to D0 after a wake event.
10. Once the interrupt status bits are set, they will cause PIRQB# if their respective enable bits were set. One of the audio or the modem drivers will handle the interrupt.

## 5.22.2 AC-Link Overview

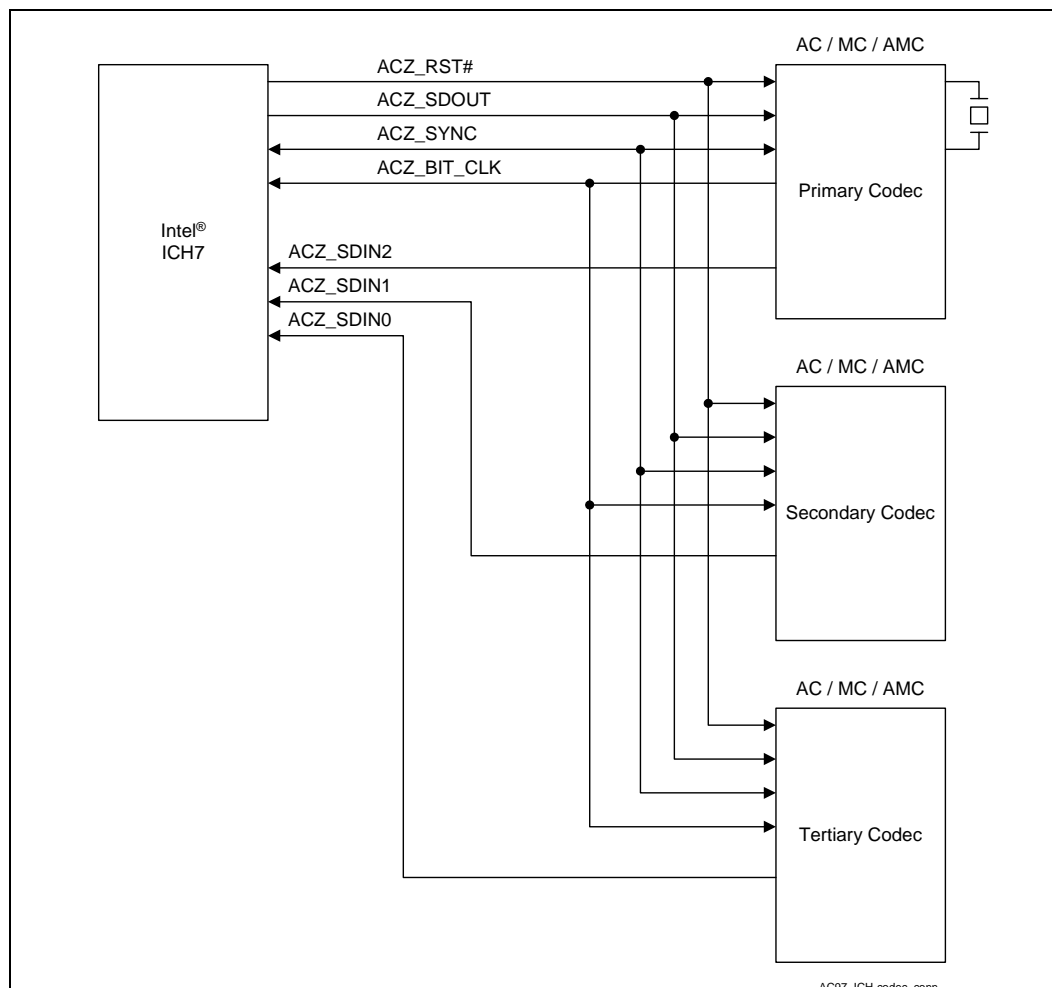
The ICH7 is an AC '97 2.3 controller that communicates with companion codecs via a digital serial link called the AC-link. All digital audio/modem streams and command/status information is communicated over the AC-link.

The AC-link is a bi-directional, serial PCM digital stream. It handles multiple input and output data streams, as well as control register accesses, employing a time division multiplexed (TDM) scheme. The AC-link architecture provides for data transfer through individual frames transmitted in a serial fashion. Each frame is divided into 12 outgoing and 12 incoming data streams, or slots. The architecture of the ICH7 AC-link allows a maximum of three codecs to be connected. [Figure 5-13](#) shows a three codec topology of the AC-link for the ICH7. The AC-link consists of a five signal interface between the ICH7 and codec(s).

**Note:** The ICH7's AC '97 controller shares the signal interface with the Intel High Definition Audio controller. However, only one controller may be enabled at a time.



Figure 5-13. AC '97 2.3 Controller-Codec Connection



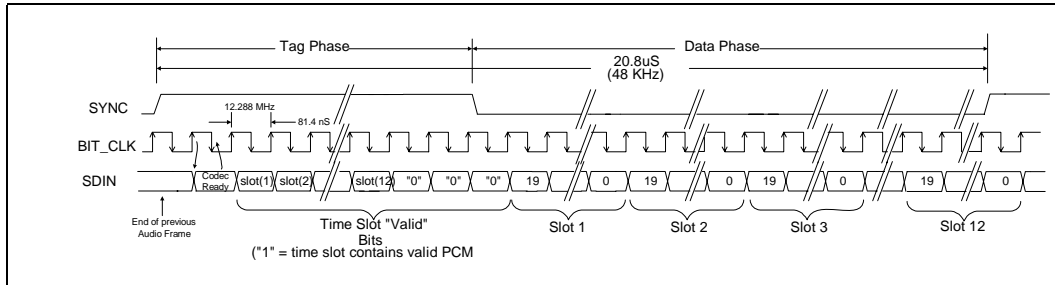
ICH7 core well outputs may be used as strapping options for the ICH7, sampled during system reset. These signals may have weak pullups/pulldowns; however, this will not interfere with link operation. ICH7 inputs integrate weak pulldowns to prevent floating traces when a secondary and/or tertiary codec is not attached. When the Shut Off bit in the control register is set, all buffers will be turned off and the pins will be held in a steady state, based on these pullups/pulldowns.

ACZ\_BIT\_CLK is fixed at 12.288 MHz and is sourced by the primary codec. It provides the necessary clocking to support the twelve 20-bit time slots. AC-link serial data is transitioned on each rising edge of ACZ\_BIT\_CLK. The receiver of AC-link data samples each serial bit on the falling edge of ACZ\_BIT\_CLK.

If ACZ\_BIT\_CLK makes no transitions for four consecutive PCI clocks, the ICH7 assumes the primary codec is not present or not working. It sets bit 28 of the Global Status Register (I/O offset 30h). All accesses to codec registers with this bit set will return data of FFh to prevent system hangs.

Synchronization of all AC-link data transactions is signaled by the AC '97 controller via the ACZ\_SYNC signal, as shown in Figure 5-14. The primary codec drives the serial bit clock onto the AC-link, which the AC '97 controller then qualifies with the ACZ\_SYNC signal to construct data frames. ACZ\_SYNC, fixed at 48 kHz, is derived by dividing down ACZ\_BIT\_CLK. ACZ\_SYNC remains high for a total duration of 16 ACZ\_BIT\_CLK at the beginning of each frame. The portion of the frame where ACZ\_SYNC is high is defined as the tag phase. The remainder of the frame where ACZ\_SYNC is low is defined as the data phase. Each data bit is sampled on the falling edge of ACZ\_BIT\_CLK.

Figure 5-14. AC-Link Protocol



The ICH7 has three ACZ\_SDIN pins allowing a single, dual, or triple codec configuration. When multiple codecs are connected, the primary, secondary, and tertiary codecs can be connected to any ACZ\_SDIN line. The ICH7 does not distinguish between codecs on its ACZ\_SDIN[2:0] pins, however the registers do distinguish between ACZ\_SDIN[0], ACZ\_SDIN[1], and ACZ\_SDIN[2] for wake events, etc. If using a Modem Codec it is recommended to connect it to ACZ\_SDIN1.

The ICH7 does not support optional test modes as outlined in the *AC '97 Specification*, Version 2.3.

### 5.22.2.1 Register Access

In the ICH7 implementation of the AC-link, up to three codecs can be connected to the SDOOUT pin. The following mechanism is used to address the primary, secondary, and tertiary codecs individually.

The primary device uses bit 19 of slot 1 as the direction bit to specify read or write. Bits [18:12] of slot 1 are used for the register index. For I/O writes to the primary codec, the valid bits [14:13] for slots 1 and 2 must be set in slot 0, as shown in Table 5-60. Slot 1 is used to transmit the register address, and slot 2 is used to transmit data. For I/O reads to the primary codec, only slot 1 should be valid since only an address is transmitted. For I/O reads only slot 1 valid bit is set, while for I/O writes both slots 1 and 2 valid bits are set.

The secondary and tertiary codec registers are accessed using slots 1 and 2 as described above, however the slot valid bits for slots 1 and 2 are marked invalid in slot 0 and the codec ID bits [1:0] (bit 0 and bit 1 of slot 0) is set to a non-zero value. This allows the secondary or tertiary codec to monitor the slot valid bits of slots 1 and 2, and bits [1:0] of slot 0 to determine if the access is directed to the secondary or tertiary codec. If the register access is targeted to the secondary or tertiary codec, slot 1 and 2 will contain the address and data for the register access. Since slots 1 and 2 are marked invalid, the primary codec will ignore these accesses.



**Table 5-60. Output Tag Slot 0**

Bit	Primary Access Example	Secondary Access Example	Description
15	1	1	Frame Valid
14	1	0	Slot 1 Valid, Command Address bit (Primary codec only)
13	1	0	Slot 2 Valid, Command Data bit (Primary codec only)
12:3	X	X	Slot 3–12 Valid
2	0	0	Reserved
1:0	00	01	Codec ID (00 reserved for primary; 01 indicate secondary; 10 indicate tertiary)

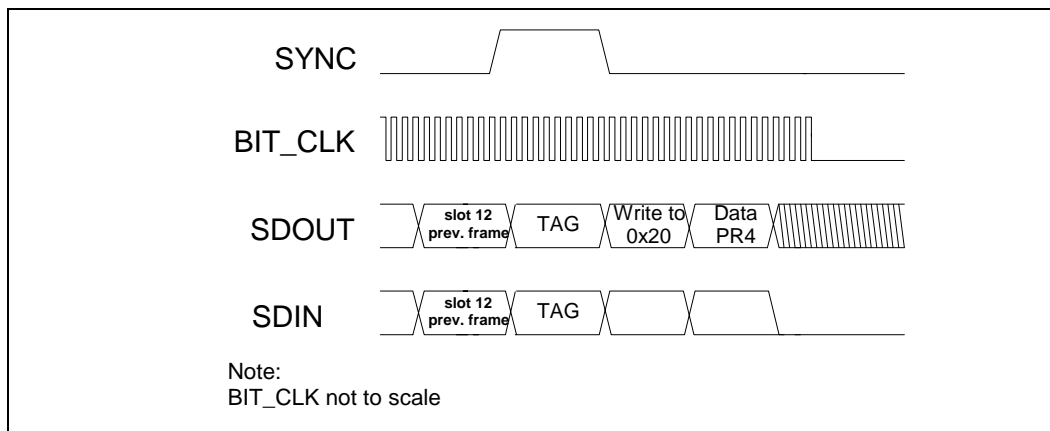
When accessing the codec registers, only one I/O cycle can be pending across the AC-link at any time. The ICH7 implements write posting on I/O writes across the AC-link (i.e., writes across the link are indicated as complete before they are actually sent across the link). In order to prevent a second I/O write from occurring before the first one is complete, software must monitor the CAS bit in the Codec Access Semaphore register which indicates that a codec access is pending. Once the CAS bit is cleared, then another codec access (read or write) can go through. The exception to this being reads to offset 54h/D4h/154h (slot 12) which are returned immediately with the most recently received slot 12 data. Writes to offset 54h, D4h, and 154h (primary, secondary and tertiary codecs), get transmitted across the AC-link in slots 1 and 2 as a normal register access. Slot 12 is also updated immediately to reflect the data being written.

The controller does not issue back to back reads. It must get a response to the first read before issuing a second. In addition, codec reads and writes are only executed once across the link, and are not repeated.

### 5.22.3 AC-Link Low Power Mode

The AC-link signals can be placed in a low-power mode. When the AC '97 Powerdown register (26h), is programmed to the appropriate value, both ACZ\_BIT\_CLK and ACZ\_SDIN will be brought to, and held at a logic low voltage level.

**Figure 5-15. AC-Link Powerdown Timing**



ACZ\_BIT\_CLK and ACZ\_SDIN transition low immediately after a write to the Powerdown Register (26h) with PR4 enabled. When the AC '97 controller driver is at the point where it is ready to program the AC-link into its low-power mode, slots 1 and 2 are assumed to be the only valid stream in the audio output frame.

The AC '97 controller also drives ACZ\_SYNC, and ACZ\_SDOOUT low after programming AC '97 to this low power, halted mode

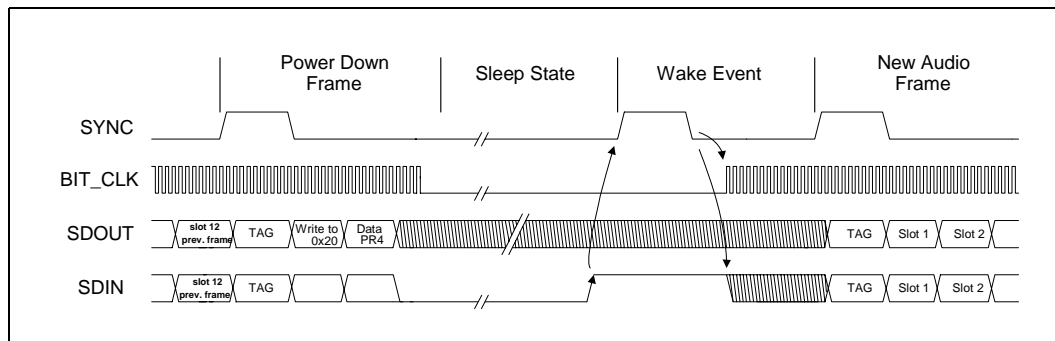
Once the codec has been instructed to halt, ACZ\_BIT\_CLK, a special wake up protocol must be used to bring the AC-link to the active mode since normal output and input frames can not be communicated in the absence of ACZ\_BIT\_CLK. Once in a low-power mode, the ICH7 provides three methods for waking up the AC-link; external wake event, cold reset and warm reset.

**Note:** Before entering any low-power mode where the link interface to the codec is expected to be powered down while the rest of the system is awake, the software must set the "Shut Off" bit in the control register.

### 5.22.3.1 External Wake Event

Codecs can signal the controller to wake the AC-link, and wake the system using ACZ\_SDIN.

Figure 5-16. SDIN Wake Signaling



The minimum ACZ\_SDIN wake up pulse width is 1 us. The rising edge of ACZ\_SDIN0, ACZ\_SDIN1 or ACZ\_SDIN2 causes the ICH7 to sequence through an AC-link warm reset and set the AC97\_STS bit in the GPE0\_STS register to wake the system. The primary codec must wait to sample ACZ\_SYNC high and low before restarting ACZ\_BIT\_CLK as diagrammed in Figure 5-16. The codec that signaled the wake event must keep its ACZ\_SDIN high until it has sampled ACZ\_SYNC having gone high, and then low.

The AC-link protocol provides for a cold reset and a warm reset. The type of reset used depends on the system's current power down state. Unless a cold or register reset (a write to the Reset register in the codec) is performed, wherein the AC '97 codec registers are initialized to their default values, registers are required to keep state during all power down modes.

Once powered down, activation of the AC-link via re-assertion of the ACZ\_SYNC signal must not occur for a minimum of four audio frame times following the frame in which the power down was triggered. When AC-link powers up, it indicates readiness via the codec ready bit.



#### 5.22.4 AC '97 Cold Reset

A cold reset is achieved by asserting ACZ\_RST# for 1  $\mu$ s. By driving ACZ\_RST# low, ACZ\_BIT\_CLK, and ACZ\_SDOOUT will be activated and all codec registers will be initialized to their default power on reset values. ACZ\_RST# is an asynchronous AC '97 input to the codec.

#### 5.22.5 AC '97 Warm Reset

A warm reset re-activates the AC-link without altering the current codec register values. A warm reset is signaled by driving ACZ\_SYNC high for a minimum of 1  $\mu$ s in the absence of ACZ\_BIT\_CLK.

Within normal frames, ACZ\_SYNC is a synchronous AC '97 input to the codec. However, in the absence of ACZ\_BIT\_CLK, ACZ\_SYNC is treated as an asynchronous input to the codec used in the generation of a warm reset.

The codec must not respond with the activation of ACZ\_BIT\_CLK until ACZ\_SYNC has been sampled low again by the codec. This prevents the false detection of a new frame.

**Note:** On receipt of wake up signaling from the codec, the digital controller issues an interrupt if enabled. Software then has to issue a warm or cold reset to the codec by setting the appropriate bit in the Global Control Register.

#### 5.22.6 Hardware Assist to Determine ACZ\_SDIN Used Per Codec

Software first performs a read to one of the audio codecs. The read request goes out on ACZ\_SDOOUT. Since the ICH7 allows one read to be performed at a time on the link, eventually the read data will come back in on one of the ACZ\_SDIN[2:0] lines.

The codec does this by indicating that status data is valid in its TAG, then echoes the read address in slot 1 followed by the read data in slot 2.

The new function of the ICH7 hardware is to notice which ACZ\_SDIN line contains the read return data, and to set new bits in the new register indicating which ACZ\_SDIN line the register read data returned on. If it returned on ACZ\_SDIN[0], bits [1:0] contain the value 00. If it returned on ACZ\_SDIN[1], the bits contain the value 01, etc.

ICH7 hardware can set these bits every time register read data is returned from a function 5 read. No special command is necessary to cause the bits to be set. The new driver/BIOS software reads the bits from this register when it cares to, and can ignore it otherwise. When software is attempting to establish the codec-to-ACZ\_SDIN mapping, it will single feed the read request and not pipeline to ensure it gets the right mapping, we cannot ensure the serialization of the access.



## 5.23 Intel® High Definition Audio Overview

The ICH7's Intel High Definition Audio controller shares pins with the AC '97 controller. However, only one controller may be enabled at a time.

**Note:** The ICH7-U Ultra Mobile component does not contain an AC '97 controller.

The ICH7's controller communicates with the external codec(s) over the Intel High Definition Audio serial link. The controller consists of a set of DMA engines that are used to move samples of digitally encoded data between system memory and an external codec(s). The ICH7 implements four output DMA engines and 4 input DMA engines. The output DMA engines move digital data from system memory to a D-A converter in a codec. ICH7 implements a single Serial Data Output signal (ACZ\_SDOOUT) that is connected to all external codecs. The input DMA engines move digital data from the A-D converter in the codec to system memory. The ICH7 implements three Serial Digital Input signals (ACZ\_SDI[2:0]) supporting up to three codecs.

Audio software renders outbound and processes inbound data to/from buffers in system memory. The location of individual buffers is described by a Buffer Descriptor List (BDL) that is fetched and processed by the controller. The data in the buffers is arranged in a predefined format. The output DMA engines fetch the digital data from memory and reformat it based on the programmed sample rate, bit/sample and number of channels. The data from the output DMA engines is then combined and serially sent to the external codecs over the Intel High Definition Audio link. The input DMA engines receive data from the codecs over the Intel High Definition Audio link and format the data based on the programmable attributes for that stream. The data is then written to memory in the predefined format for software to process. Each DMA engine moves one stream of data. A single codec can accept or generate multiple streams of data, one for each A-D or D-A converter in the codec. Multiple codecs can accept the same output stream processed by a single DMA engine.

Codec commands and responses are also transported to and from the codecs via DMA engines.

### 5.23.1 Intel® High Definition Audio Docking (Mobile Only)

#### 5.23.1.1 Dock Sequence

Note that this sequence is followed when the system is running and a docking event occurs.

1. Since the ICH7 supports docking, the Docking Supported (DCKSTS.DS) bit defaults to a 1. POST BIOS and ACPI BIOS software uses this bit to determine if the HD Audio controller supports docking. BIOS may write a 0 to this RWO bit during POST to effectively turn off the docking feature.
2. After reset in the undocked quiescent state, the Dock Attach (DCKCTL.DA) bit and the Dock Mate (DCKSTS.DM) bit are both de-asserted. The AZ\_DOCK\_EN# signal is de-asserted and AZ\_DOCK\_RST# is asserted. BCLK, SYNC and SDO signals may or may not be running at the point in time that the docking event occurs.
3. The physical docking event is signaled to ACPI BIOS software via ACPI control methods. This is normally accomplished through a GPIO signal on the ICH7 and is outside the scope of this section.
4. ACPI BIOS software first checks that the docking is supported via DCKSTS.DS=1 and that the DCKSTS.DM=0 and then initiates the docking sequence by writing a 1 to the DCKCTL.DA bit.





5. The HD Audio controller then asserts the AZ\_DOCK\_EN# signal so that the BCLK signal begins toggling to the dock codec. AZ\_DOCK\_EN# shall be asserted synchronously to BCLK and timed such that BCLK is low, SYNC is low, and SDO is low. Pull-down resistors on these signals in the docking station discharge the signals low so that the state of the signal on both sides of the switch is the same when the switch is turned on. This reduces the potential for charge coupling glitches on these signals. Note that in the ICH7 the first 8 bits of the Command field are "reserved" and always driven to 0s. This creates a predictable point in time to assert AZ\_DOCK\_EN#. Note that the HD Audio link reset exit specification that requires that SYNC and SDO be driven low during BCLK startup is not ensured. Note also that the SDO and BCLK signals may not be low while AZ\_DOCK\_RST# is asserted which also does not comply with the specification.
6. After the controller asserts AZ\_DOCK\_EN# it waits for a minimum of 2400 BCLKs (100 us) and then de-asserts AZ\_DOCK\_RST#. This is accomplished in such a way to meet the HD Audio link reset exit specification. AZ\_DOCK\_RST# de-assertion should be synchronous to BCLK and timed such that there are least 4 full BCLKs from the de-assertion of AZ\_DOCK\_RST# to the first frame SYNC assertion.
7. The Connect/Turnaround/Address Frame hardware initialization sequence will now occur on the dock codecs' SDI signals. A dock codec is detected when SDI is high on the last BCLK cycle of the Frame Sync of a Connect Frame. The appropriate bit(s) in the State Change Status (STATESTS) register will be set. The Turnaround and Address Frame initialization sequence then occurs on the dock codec's SDI(s).
8. After this hardware initialization sequence is complete (approximately 32 frames), the controller hardware sets the DCKSTS.DM bit to 1 indicating that the dock is now mated. ACPI BIOS polls the DCKSTS.DM bit and when it detects it is set to 1, conveys this to the OS through a plug-N-play IRP. This eventually invokes the HD Audio Bus Driver, which then begins its codec discovery, enumeration, and configuration process.
9. Alternatively to step #8, the HD Audio Bus Driver may choose to enable an interrupt by setting the WAKEEN bits for SDINs that didn't originally have codecs attached to them. When a corresponding STATESTS bit gets set, an interrupt is generated. In this case the HD Audio Bus Driver is called directly by this interrupt instead of being notified by the plug-N-play IRP.
10. HD Audio Bus Driver software "discovers" the dock codecs by comparing the bits now set in the STATESTS register with the bits that were set prior to the docking event.

### 5.23.1.2 Exiting D3/CRST# when Docked

1. In D3/CRST#, CRST# is asserted by the HD Audio Bus Driver. CRST# asserted resets the dock state machines, but does not reset the DCKCTL.DA bit. Because the dock state machines are reset, the dock is electrically isolated (AZ\_DOCK\_EN# de-asserted) and DOCK\_RST# is asserted.
2. The Bus Driver clears the STATESTS bits, then de-asserts CRST#, waits approximately 7ms, then checks the STATESTS bits to see which codecs are present.
3. When CRST# is de-asserted, the dock state machine detects that DCKCTL.DA is still set and the controller hardware sequences through steps to electrically connect the dock by asserting AZ\_DOCK\_EN# and then eventually de-asserts DOCK\_RST#. This completes within the 7 ms mentioned in step 2).
4. The Bus Driver enumerates the codecs present as indicated via the STATESTS bits.
5. Note that this process did not require BIOS or ACPI BIOS to set the DCKCTL.DA bit.

### 5.23.1.3 Cold Boot/Resume from S3 When Docked

1. When booting and resuming from S3, PLTRST# switches from asserted to de-asserted. This clears the DCKCTL.DA bit and the dock state machines. Because the dock state machines are reset, the dock is electrically isolated (AZ\_DOCK\_EN# de-asserted) and DOCK\_RST# is asserted.
2. POST BIOS detects that the dock is attached and sets the DCKCTL.DA bit to 1. Note that at this point CRST# is still asserted so the dock state machine will remain in its reset state.
3. The Bus Driver clears the STATESTS bits, then de-asserts CRST#, waits approximately 7 ms, then checks the STATESTS bits to see which codecs are present.
4. When CRST# is de-asserted, the dock state machine detects that DCKCTL.DA is still set and the controller hardware sequences through steps to electrically connect the dock by asserting AZ\_DOCK\_EN# and then eventually de-asserts DOCK\_RST#. This completes within the 7 ms mentioned in step 3).
5. The Bus Driver enumerates the codecs present as indicated via the STATESTS bits.

### 5.23.1.4 Undock Sequence

There are two possible undocking scenarios. The first is the one that is initiated by the user that invokes software and gracefully shuts down the dock codecs before they are undocked. The second is referred to as the “surprise undock” where the user undocks while the dock codec is running. Both of these situations appear the same to the controller as it is not cognizant of the “surprise removal”. But both sequences will be discussed here.

#### 5.23.1.4.1 Normal Undock

1. In the docked quiescent state, the Dock Attach (DCKCTL.DA) bit and the Dock Mate (DCKSTS.DM) bit are both asserted. The AZ\_DOCK\_EN# signal is asserted and AZ\_DOCK\_RST# is de-asserted.
2. The user initiates an undock event through the GUI interface or by pushing a button. This mechanism is outside the scope of this section of the document. Either way ACPI BIOS software will be invoked to manage the undock process.
3. ACPI BIOS will call the HD Audio Bus Driver software in order to halt the stream to the dock codec(s) prior to electrical undocking. If the HD Audio Bus Driver is not capable of halting the stream to the docked codec, ACPI BIOS will initiate the hardware undocking sequence as described in the next step while the dock stream is still running. From this standpoint, the result is similar to the “surprise undock” scenario where an audio glitch may occur to the docked codec(s) during the undock process.
4. The ACPI BIOS initiates the hardware undocking sequence by writing a 0 to the DCKCTL.DA bit.
5. The HD Audio controller asserts AZ\_DOCK\_RST#. AZ\_DOCK\_RST# assertion shall be synchronous to BCLK. There are no other timing requirements for AZ\_DOCK\_RST# assertion. Note that the HD Audio link reset specification requirement that the last Frame sync be skipped will not be met.
6. A minimum of 4 BCLKs after AZ\_DOCK\_RST# the controller will de-assert AZ\_DOCK\_EN# to isolate the dock codec signals from the ICH7 HD Audio link signals. AZ\_DOCK\_EN# is de-asserted synchronously to BCLK and timed such that BCLK, SYNC, and SDO are low.
7. After this hardware undocking sequence is complete (a maximum of TBD from DCKCTL.DA being written from “1” to “0”), the controller hardware clears the DCKSTS.DM bit to 0 indicating that the dock is now un-mated. ACPI BIOS software polls DCKSTS.DM and when it sees DM set, conveys to the end user that physical undocking can proceed. The controller is now ready for a subsequent docking event.



#### 5.23.1.4.2 Surprise Undock

1. In the surprise undock case the user undocks before software has had the opportunity to gracefully halt the stream to the dock codec and initiate the hardware undock sequence.
2. A signal on the docking connector is connected to the switch that isolates the dock codec signals from the ICH7 HD Audio link signals (DOCK\_DET# in the conceptual diagram). When the undock event begins to occur the switch will be put into isolate mode.
3. The undock event is communicated to the ACPI BIOS via ACPI control methods that are outside the scope of this section of the document.
4. ACPI BIOS software writes a 0 to the DCKCTL.DA bit. ACPI BIOS then calls the HD Audio Bus Driver via plug-N-play IRP. The Bus Driver then posthumously cleans up the dock codec stream.
5. The HD Audio controller hardware is oblivious to the fact that a surprise undock occurred. The flow from this point on is identical to the normal undocking sequence described in section 0 starting at step 3). It finishes with the hardware clearing the DCKSTS.DM bit set to 0 indicating that the dock is now un-mated. The controller is now ready for a subsequent docking event.

#### 5.23.1.5 Interaction Between Dock/Undock and Power Management States

When exiting from S3, PLTRST# will be asserted. The POST BIOS is responsible for initiating the docking sequence if the dock is already attached when PLTRST# is de-asserted. POST BIOS writes a 1 to the DCKCTL.DA bit prior to the HD Audio driver de-asserting CRTS# and detecting and enumerating the codecs attached to the AZ\_DOCK\_RST# signal. The HD Audio controller does not directly monitor a hardware signal indicating that a dock is attached. Therefore, a method outside the scope of this document must be used to cause the POST BIOS to initiate the docking sequence.

When exiting from D3, CRST# will be asserted. When CRST# bit is "0" (asserted), the DCKCTL.DA bit is not cleared. The dock state machine will be reset such that AZ\_DOCK\_EN# will be de-asserted, AZ\_DOCK\_RST# will be asserted and the DCKSTS.DM bit will be cleared to reflect this state. When the CRST# bit is de-asserted, the dock state machine will detect that DCKCTL.DA is set to "1" and will begin sequencing through the dock process. Note that this does not require any software intervention.

#### 5.23.1.6 Relationship between AZ\_DOCK\_RST# and AZ\_RST#

AZ\_RST# will be asserted when a PLTRST# occurs or when the CRST# bit is 0. As long as AZ\_RST# is asserted, the DOCK\_RST# signal will also be asserted.

When PLTRST# is asserted, the DCKCTL.DA and DCKSTS.DM bits will be get cleared to their default state (0's), and the dock state machine will be reset such that AZ\_DOCK\_EN# will be de-asserted, and AZ\_DOCK\_RST# will be asserted. After any PLTRST#, POST BIOS software is responsible for detecting that a dock is attached and then writing a "1" to the DCKCTL.DA bit prior to the HD Audio Bus Driver de-asserting CRST#.

When CRST# bit is "0" (asserted), the DCKCTL.DA bit is not cleared. The dock state machine will be reset such that AZ\_DOCK\_EN# will be de-asserted, AZ\_DOCK\_RST# will be asserted and the DCKSTS.DM bit will be cleared to reflect this state. When the CRST# bit is de-asserted, the dock state machine will detect that DCKCTL.DA is set to "1" and will begin sequencing through the dock process. Note that this does not require any software intervention.



## 5.24 Intel® Active Management Technology (Intel® AMT) (Desktop and Mobile Only)

Intel Active Management Technology is a set of advanced manageability features developed as a direct result of IT customer feedback gained through Intel market research. Reducing the Total Cost of Ownership (TCO) through improved asset tracking, remote manageability, and fewer desk-side visits were identified as key IT priorities. PT extends the capabilities of existing management solutions by making the asset information, remote diagnostics, and recovery capabilities always available, or Out of Band (OOB), even when the system is in a low-power “off” state or the OS is hung.

### 5.24.1 Intel® AMT Features

- E-Asset Tag
- OOB HW and SW Inventory Logs
- OOB Alerts
- IDE Redirect
- Serial over LAN for Remote Control
- Remote Diagnostics Execution
- OS Lock-Up Alert
- OS Repair
- Remote BIOS Recovery and Update

### 5.24.2 Intel® AMT Requirements

Intel AMT is a platform-level solution that uses multiple system components including:

- Intel AMT-Ready ICH7 component for the SMBus, PCI Express, SPI flash bus, and system sensors
- Intel® PRO 82573E Gigabit Ethernet Controller with Intel® Active Management Technology for remote access
- An embedded microcontroller to run OOB firmware/software
- SPI flash memory (4 Mb for Intel AMT) to store asset information, management software code, and logs
- BIOS to provide asset detection and POST diagnostics (BIOS and Intel AMT can optionally share same flash memory device)
- Familiar ISV software packages to take advantage of Intel AMT’s platform management capabilities



## 5.25 Serial Peripheral Interface (SPI) (Desktop and Mobile Only)

The Serial Peripheral Interface (SPI) is a 4-pin interface that provides a potentially lower-cost alternative for system flash versus the Firmware Hub on the LPC bus.

The 4-pin SPI interface consists of clock (CLK), master data out (Master Out Slave In (MOSI)), master data in (Master In Slave Out (MISO)) and an active low chip select (CS#).

Communication on the SPI bus is done with a Master – Slave protocol. The typical bus topology consists of a single SPI Master (ICH7) with a single SPI Slave (flash device). The Slave is connected to the ICH7 and is implemented as a tri-state bus.

Arbitration has been added that enables an optional shared flash configuration where the ICH7 shares access to the SPI flash device with the PCI Express based Intel PRO 82573E Gigabit Ethernet Controller. This configuration allows a single larger density flash device to replace two smaller density flash devices on the motherboard to potentially reduce bill of material (BOM) costs.

**Note:** When SPI is selected by the Boot BIOS Destination Strap and a SPI device is detected by the ICH7, LPC based BIOS flash is disabled.

### 5.25.1 SPI Arbitration between Intel® ICH7 and Intel PRO 82573E

The Shared Flash implementation consists of two SPI masters (ICH7 and Intel PRO 82573E) that arbitrate for access to a single shared SPI Device. This allows for consolidation of Non-Volatile memory required by the Intel PRO 82573E GbE device with the system BIOS offering the potential for BOM and board real estate savings.

The arbitration between Intel PRO 82573E and ICH7 occurs with the addition of an ARB signal. The SPI flash device is connected to both the Intel PRO 82573E and ICH7 chips and implemented as a shared tri-state bus; the ARB signal is connected directly from Intel PRO 82573E to ICH7 and not to the SPI device.

The Shared Flash configuration allows each master to complete write and erase commands to the SPI Flash, before allowing the other master to take ownership of the bus

### 5.25.2 Flash Device Configurations

The ICH7, Intel PRO 82573E GbE LAN with Intel® Active Management Technology, and SPI flash may be used in multiple configurations. [Table 5-61](#) focuses on these various configurations involving the ICH7.

**Table 5-61. SPI Implementation Options**

Configuration	Intel PRO 82573E with Intel AMT Present	Intel PRO 82573E Firmware with Intel AMT	System BIOS Location	System BIOS and Intel AMT Shared Flash	FWH Present	Number of SPI Device(s)
1	No	No	FWH	No	Yes	0
2	No	No	SPI	No	No	1
3	Yes	SPI	FWH	No	Yes	1
4	Yes	SPI	SPI	No	No	2
5	Yes	SPI	SPI	Yes	No	1

**Note:** The ICH7 SPI interface supports a single Chip Select pin for a single SPI device.

### 5.25.3 SPI Device Compatibility Requirements

A variety of SPI flash devices exist in the market. In order for a SPI device to be compatible with the ICH7 it must meet the minimum requirements detailed in the following sections.

#### 5.25.3.1 Intel® ICH7 SPI Based BIOS Only Configuration Requirements (Non-Shared Flash Configuration)

A SPI flash device must meet the following minimum requirements to be compatible with the ICH7 in a non-shared flash configuration:

- Erase size capability of at least one of the following: 64 KB, 32 KB, 4 KB, 2 KB, 512 bytes, or 256 bytes.
- Required command set and associated opcodes (Refer to [Section 5.25.4.1](#)).
- Device identification command (Refer to [Section 5.25.4.2](#)).
- Device must support multiple writes to a page without requiring a preceding erase cycle (Refer to [Section 5.25.4.3](#)).
- Serial flash device must ignore the upper address bits such that an address of FFFFFFFh simply aliases to the top of the flash memory.
- SPI Compatible Mode 0 support (clock phase is 0 and data is latched on the rising edge of the clock).
- If the device receives a command that is not supported, the device must complete the cycle gracefully without any impact on the flash content.
- An erase command (page, sector, block, chip, or etc.) must set to 1 (FFh) all bits inside the designated area (page, sector, block, chip, or etc.).
- Minimum density of 4 Mb (Platform dependent based on size of BIOS).

**Note:** The ICH7 only supports Mode 0 on SPI flash devices

#### 5.25.3.2 Intel® ICH7 with Intel® PRO 82573E with Intel AMT Firmware Configuration Requirements (Shared Flash Configuration)

A SPI flash device must meet the following minimum requirements to be compatible with the ICH7 and the Intel PRO 82573E GbE with Intel AMT device in a shared flash configuration:

The following are requirements that are in common with the BIOS only configuration listed in [Section 5.25.3.1](#):

- Required command set and associated opcodes (Refer to [Section 5.25.4.1](#))
- Device identification command (Refer to [Section 5.25.4.2](#))
- Device must support multiple writes to a page without requiring a preceding erase cycle (Refer to [Section 5.25.4.3](#))
- Serial flash device must ignore the upper address bits such that an address of FFFFFFFh simply aliases to the top of the flash memory.
- SPI Compatible Mode 0 support (clock phase is 0 and data is latched on the rising edge of the clock).
- If the device receives a command that is not supported, the device must complete the cycle gracefully without any impact on the flash content.
- An erase command (page, sector, block, chip, or etc.) must set to 1 (FFh) all bits inside the designated area (page, sector, block, chip, or etc.).



The following is a list of additional requirements specific to the ICH7 with Intel PRO 82573E configuration:

- Erase size capability of at least one of the following: 4 KBytes (preferred) or 256 bytes.
- Byte write must be supported.
- A serial flash device that requires the Write Enable command must automatically clear the Write Enable Latch at the end of Data Program instructions
- Status Register bit 0 must be set to 1 when a write or erase is in progress and cleared to 0 when a write or erase is **not** in progress.
- Minimum density of 4 Mb for non-BIOS data storage
- Minimum density of 8 Mb for shared flash configurations (4 Mb for non-BIOS data + 4 Mb for BIOS - platform dependant based on size of BIOS)

**Note:** The ICH7 only supports Mode 0 on SPI flash devices.

## 5.25.4 Intel® ICH7 Compatible Command Set

### 5.25.4.1 Required Command Set for Inter Operability

Table 5-62 contains a list of commands and the associated opcodes that a SPI based serial flash device must support in order to be interoperable with the serial flash interface.

**Table 5-62. Required Commands and Opcodes**

Commands	OPCODE
Program Data	02h
Read Data	03h
Read Status	05h

### 5.25.4.2 Recommended Standard Commands

The following table contains a list of standard commands that a SPI device should support to be compatible with the ICH7. This list only contains standard commands and is not meant to be an all inclusive list of commands that SPI devices can support.

**Table 5-63. Intel® ICH7 Standard SPI Commands**

Commands	OPCODE	Notes
Write Status	01h	If command is supported by a device, 01h must be supported.
Write Disable	04h	
Write Enable	06h	If command is supported by a device, 06h must be supported.
Fast Read	0Bh	Intel® ICH7 does not support this command.
JEDEC ID	9Fh	Either JEDEC ID (9Fh) or an Identify Device with ABh is required, not both.
Identify Device	ABh	Either JEDEC ID (9Fh) or an Identify Device with ABh is required, not both



### 5.25.4.3 Multiple Page Write Usage Model

The system BIOS and Intel® Active Management Technology firmware usage models require that the serial flash device support multiple writes (minimum of 512 writes) to a page (256 bytes) without requiring a preceding erase command. BIOS commonly uses capabilities such as counters that are typically implemented by using byte writes to 'increment' the bits within a page that have been designated as the counter. The Intel AMT firmware usage model requires the capability for multiple data updates within any given page. These data updates occur via byte writes without executing a preceding erase to the given page. Both the BIOS and Intel AMT firmware multiple page write usage models apply to sequential and non-sequential data writes.

**Note:** This usage model requirement is based on any given bit only being written once from a '1' to a '0' without requiring the preceding erase. An erase would be required to change bits back to the '1' state.

### 5.25.5 Flash Protection

There are three types of Flash Protection mechanisms:

1. BIOS Range Write Protection
2. SMI#-Based Global Write Protection
3. Shared Flash Address Range Protection

The three mechanisms are conceptually OR'd together such that if any of the mechanisms indicate that the access should be blocked, then it is blocked. Table 5-64 provides a summary of the Three Mechanisms.

Table 5-64. Flash Protection Mechanism Summary

Mechanism	Accesses Blocked	Range Specific ?	Reset-Override or SMI #-Override?	Equivalent Function on FWH
BIOS Range Write Protection	Writes	Yes	Reset Override	FWH Sector Protection
Write Protect	Writes	No	SMI# Override	Same as Write Protect in previous ICH components for FWH
BIOS BAR	Reads and Writes	Yes	Reset Override	Not Applicable- Specific to Flash Sharing

A blocked command will appear to software to finish, except that the Blocked Access status bit is set in this case.

#### 5.25.5.1 BIOS Range Write Protection

The ICH7 provides a method for blocking writes to specific ranges in the SPI flash when the Protected BIOS Ranges are enabled. This is achieved by checking the Opcode type information (which can be locked down by the initial Boot BIOS) and the address of the requested command against the base and limit fields of a Write Protected BIOS range.

**Note:** Once BIOS has locked down the Protected BIOS Range registers, this mechanism remains in place until the next system reset.





### 5.25.5.2 SMI# Based Global Write Protection

The ICH7 provides a method for blocking writes to the SPI flash when the Write Protect bit is cleared (i.e., protected). This is achieved by checking the Opcode type information (which can be locked down by the initial Boot BIOS) of the requested command.

The Write Protect and Lock Enable bits interact in the same manner for SPI BIOS as they do for the FWH BIOS.

### 5.25.5.3 Shared Flash Address Range Protection

The System Flash (BIOS) occupies the top part of the SPI Flash Memory Device when sharing this space with the LAN and Manageability functions. To prevent the system from inappropriately accessing or modifying information in the LAN and Manageability areas, the ICH7 checks outgoing addresses with the BIOS Base Address register and blocks any cycles with addresses below that value. This includes Direct Memory Reads to the SPI flash.

**Note:** Once BIOS has locked down the BIOS BAR, this mechanism remains in place until the next system reset.

## 5.26 Intel® Quick Resume Technology (Digital Home Only)

ICH7 implements the following Intel® Quick Resume Technology (QRT) features:

- Visual Off
- Consumer Electronics (CE) like On/Off

### 5.26.1 Visual Off

Intel Quick Resume Technology provides a new functional state called Visual Off. In Visual Off the PC appears to be Off but is actually active and able to run program tasks. The Visual Off state is transparent to the user. It is entered by simply pressing the power button when the system is On. This turns off the display, sound, front panel lights and HID devices (e.g. keyboard and mouse) but the PC stays active. Perceptually to the user, the system appears Off in this state. Pressing the power button again will turn back On the perceptual components that were “muted” in Visual Off.

From the Visual Off state, the system's power management can place the PC in a low power suspend state (S3) using existing mechanisms. Again, this is transparent to the end user.

### 5.26.2 CE-like On/Off

Intel Quick Resume Technology redefines the PC's power button behavior to switch between user perceived On and Off states like a consumer electronics (CE) device. For example when a television is turned off there is no shutdown procedure. The viewer simply turns it Off. Likewise when a modern television is turned On it returns to the same channel, volume level, color balance, etc. as when it was turned Off. Intel Quick Resume Technology gives the PC this similar functionality. A simple press of the power button turns it On or Off. There is no user visible lengthy boot up or shutdown process as the Visual Off state is used. Therefore, there is no need to exit running applications.



Just as televisions may have multiple power buttons (e.g., on the TV and on a remote control) so may the PC (e.g., a power button on the system unit and another on the keyboard). However, all power buttons behave the same — On/Off. The PC will not turn On (wake up) when any key is pressed or the mouse moved just as pressing the volume button or TV channel button does not cause the TV to turn On. Only a power button press turns it On and Off.

### 5.26.3 Intel® Quick Resume Technology Signals (ICH7DH Only)

To provide the end user notification of the system power state, it is recommended that the front panel LED be used to indicate Visual Off in the same way that the front panel LED is used to indicate the S3 system state. For example, if in the S3 state the front panel LED is solid amber, also set the front panel LED to be solid amber upon entrance into Visual Off.

To provide for platform implementation flexibility, the ICH7DH implements two Intel Quick Resume Technology (QRT) signals that are multiplexed with GPIOs: EL\_STATE0/GPIO27 and EL\_STATE1/GPIO28. The EL\_STATE[1:0] pins may be used to control LED(s) to provide end-user notification of the current system state or may be used as GPIO pins (independently or combined). See [Chapter 14](#) for further details on controlling these signals.

The ICH7DH has an additional Intel QRT pin: EL\_RSVD/GPIO26. When Intel QRT is enabled, this signal is used exclusively as EL\_RSVD and should be left as no connect.

**Note:** EL\_RSVD should be left as a no connect on motherboards that will implement Intel QRT.

### 5.26.4 Power Button Sequence (ICH7DH Only)

When Intel Quick Resume Technology (QRT) is enabled and the user presses the PWRBTN# to put the system into the Visual Off state, the following sequence is assumed:

1. User presses the Power Button, which causes the PWRBTN# signal to go low.
2. Intel QRT logic sets the EL\_PB\_STS bit. If the PWRBTN\_INT\_EN bit is set, the ICH7 does NOT set the PWRBTN\_STS bit at this point.
3. Intel QRT logic causes an SMI or SCI (depending on the SMI\_OPTION\_CNT bit.)
4. If the Intel QRT logic was set to cause an SMI, the SMI handler executes and then sets the SCI\_NOW\_CNT bit.
5. The Intel QRT SCI handler executes.
6. The Intel QRT SCI handler needs to cause the PWRBTN\_STS bit to be set, it can do so by setting the PWRBTN\_EVENT bit.

**Note:** When PWRBTN\_STS is set, the ICH7 causes an SCI and the normal OS handler for PWRBTN\_STS is called.



## 5.27 Feature Capability Mechanism

A new set of registers have been added into ICH7 LPC Interface (Device 31, Function 0, offset E0h - EBh) that allows the system software or BIOS to easily determine the features supported by ICH7. These registers can be accessed through LPC PCI configuration space; thus allowing for convenient single point access mechanism for chipset feature detection.

This set of registers consists of:

- Capability ID (FDCAP)
- Capability Length (FDLEN)
- Capability Version and Vendor-Specific Capability ID (FDVER)
- Feature Vector (FVECT)

§





## 6 Register and Memory Mapping

---

The ICH7 contains registers that are located in the processor's I/O space and memory space and sets of PCI configuration registers that are located in PCI configuration space. This chapter describes the ICH7 I/O and memory maps at the register-set level. Register access is also described. Register-level address maps and Individual register bit descriptions are provided in the following chapters. The following notations and definitions are used in the register/instruction description chapters.

<b>RO</b>	Read Only. In some cases, If a register is read only, writes to this register location have no effect. However, in other cases, two separate registers are located at the same location where a read accesses one of the registers and a write accesses the other register. See the I/O and memory map tables for details.
<b>WO</b>	Write Only. In some cases, If a register is write only, reads to this register location have no effect. However, in other cases, two separate registers are located at the same location where a read accesses one of the registers and a write accesses the other register. See the I/O and memory map tables for details.
<b>R/W</b>	Read/Write. A register with this attribute can be read and written.
<b>R/WC</b>	Read/Write Clear. A register bit with this attribute can be read and written. However, a write of 1 clears (sets to 0) the corresponding bit and a write of 0 has no effect.
<b>R/WO</b>	Read/Write-Once. A register bit with this attribute can be written only once after power up. After the first write, the bit becomes read only.
<b>R/WLO</b>	Read/Write, Lock-Once. A register bit with this attribute can be written to the non-locked value multiple times, but to the locked value only once. After the locked value has been written, the bit becomes read only.
<b>Default</b>	When ICH7 is reset, it sets its registers to predetermined default states. The default state represents the minimum functionality feature set required to successfully bring up the system. Hence, it does not represent the optimal system configuration. It is the responsibility of the system initialization software to determine configuration, operating parameters, and optional system features that are applicable, and to program the ICH7 registers accordingly.
<b>Bold</b>	Register bits that are highlighted in bold text indicate that the bit is implemented in the ICH7. Register bits that are not implemented or are hardwired will remain in plain text.

All bit(s) or bit-fields must be correctly dealt with by software. On reads, software must use appropriate masks to extract the defined bits and not rely on reserved bits being any particular value. On writes, software must ensure that the values of reserved bit locations are preserved. Any ICH7 configuration register or I/O or memory mapped location not explicitly indicated in this document must be considered reserved.



## 6.1 PCI Devices and Functions

The ICH7 incorporates a variety of PCI functions as shown in [Table 6-1](#). These functions are divided into six logical devices (B0:D30, B0:D31, B0:D29, B0:D28, B0:D27 and B1:D8). D30 contains the DMI interface-to-PCI bridge and the AC '97 Audio and Modem controller. D31 contains the PCI-to-LPC bridge, IDE controller, SATA controller, and the SMBus controller. D29 contains the four USB UHCI controllers and one USB EHCI controller. D27 contains the Intel High Definition Audio controller. B1:D8 is the integrated LAN controller.

**Note:** From a software perspective, the integrated LAN controller resides on the ICH7's external PCI bus. This is typically Bus 1, but may be assigned a different number depending on system configuration.

If for some reason, the particular system platform does not want to support any one of the Device Functions, with the exception of D30:F0, they can individually be disabled. The integrated LAN controller will be disabled if no Platform LAN Connect component is detected (See [Chapter 5.3](#)). When a function is disabled, it does not appear at all to the software. A disabled function will not respond to any register reads or writes, insuring that these devices appear hidden to software.

**Table 6-1. PCI Devices and Functions**

Bus:Device:Function <sup>1</sup>	Function Description
Bus 0:Device 30:Function 0	PCI-to-PCI Bridge
Bus 0:Device 30:Function 2	AC '97 Audio Controller (Desktop and Mobile Only)
Bus 0:Device 30:Function 3	AC '97 Modem Controller (Desktop and Mobile Only)
Bus 0:Device 31:Function 0	LPC Controller <sup>1</sup>
Bus 0:Device 31:Function 1	IDE Controller
Bus 0:Device 31:Function 2	SATA Controller (Desktop and Mobile Only)
Bus 0:Device 31:Function 3	SMBus Controller
Bus 0:Device 29:Function 0	USB UHCI Controller #1
Bus 0:Device 29:Function 1	USB UHCI Controller #2
Bus 0:Device 29:Function 2	USB UHCI Controller #3
Bus 0:Device 29:Function 3	USB UHCI Controller #4
Bus 0:Device 29:Function 7	USB 2.0 EHCI Controller
Bus 0:Device 28:Function 0	PCI Express* Port 1 (Desktop and Mobile Only)
Bus 0:Device 28:Function 1	PCI Express Port 2 (Desktop and Mobile Only)
Bus 0:Device 28:Function 2	PCI Express Port 3 (Desktop and Mobile Only)
Bus 0:Device 28:Function 3	PCI Express Port 4 (Desktop and Mobile Only)
Bus 0:Device 28:Function 4	PCI Express Port 5 (Intel® ICH7R, and ICH7DH, and ICH7-M Only)
Bus 0:Device 28:Function 5	PCI Express Port 6 (Intel® ICH7R, and ICH7DH, and ICH7-M Only)
Bus 0:Device 27:Function 0	Intel® High Definition Audio Controller
Bus n:Device 8:Function 0	LAN Controller (Desktop and Mobile Only)

**NOTES:**

1. The LPC controller contains registers that control LPC, Power Management, System Management, GPIO, processor Interface, RTC, Interrupts, Timers, DMA.



## 6.2 PCI Configuration Map

Each PCI function on the ICH7 has a set of PCI configuration registers. The register address map tables for these register sets are included at the beginning of the chapter for the particular function. Configuration Space registers are accessed through configuration cycles on the PCI bus by the Host bridge using configuration mechanism #1 detailed in the *PCI Local Bus Specification, Revision 2.3*.

Some of the PCI registers contain reserved bits. Software must deal correctly with fields that are reserved. On reads, software must use appropriate masks to extract the defined bits and not rely on reserved bits being any particular value. On writes, software must ensure that the values of reserved bit positions are preserved. That is, the values of reserved bit positions must first be read, merged with the new values for other bit positions and then written back. Note the software does not need to perform read, merge, write operation for the configuration address register.

In addition to reserved bits within a register, the configuration space contains reserved locations. Software should not write to reserved PCI configuration locations in the device-specific region (above address offset 3Fh).

## 6.3 I/O Map

The I/O map is divided into Fixed and Variable address ranges. Fixed ranges cannot be moved, but in some cases can be disabled. Variable ranges can be moved and can also be disabled.

### 6.3.1 Fixed I/O Address Ranges

Table 6-2 shows the Fixed I/O decode ranges from the processor perspective. Note that for each I/O range, there may be separate behavior for reads and writes. DMI (Direct Media Interface) cycles that go to target ranges that are marked as "Reserved" will not be decoded by the ICH7, and will be passed to PCI unless the Subtractive Decode Policy bit is set (D31:F0:Offset 42h, bit 0). If a PCI master targets one of the fixed I/O target ranges, it will be positively decoded by the ICH7 in medium speed.

Address ranges that are not listed or marked "Reserved" are **not** decoded by the ICH7 (unless assigned to one of the variable ranges).



Table 6-2. Fixed I/O Ranges Decoded by Intel® ICH7 (Sheet 1 of 2)

I/O Address	Read Target	Write Target	Internal Unit
00h–08h	DMA Controller	DMA Controller	DMA
09h–0Eh	RESERVED	DMA Controller	DMA
0Fh	DMA Controller	DMA Controller	DMA
10h–18h	DMA Controller	DMA Controller	DMA
19h–1Eh	RESERVED	DMA Controller	DMA
1Fh	DMA Controller	DMA Controller	DMA
20h–21h	Interrupt Controller	Interrupt Controller	Interrupt
24h–25h	Interrupt Controller	Interrupt Controller	Interrupt
28h–29h	Interrupt Controller	Interrupt Controller	Interrupt
2Ch–2Dh	Interrupt Controller	Interrupt Controller	Interrupt
2E–2F	LPC SIO	LPC SIO	Forwarded to LPC
30h–31h	Interrupt Controller	Interrupt Controller	Interrupt
34h–35h	Interrupt Controller	Interrupt Controller	Interrupt
38h–39h	Interrupt Controller	Interrupt Controller	Interrupt
3Ch–3Dh	Interrupt Controller	Interrupt Controller	Interrupt
40h–42h	Timer/Counter	Timer/Counter	PIT (8254)
43h	RESERVED	Timer/Counter	PIT
4E–4F	LPC SIO	LPC SIO	Forwarded to LPC
50h–52h	Timer/Counter	Timer/Counter	PIT
53h	RESERVED	Timer/Counter	PIT
60h	Microcontroller	Microcontroller	Forwarded to LPC
61h	NMI Controller	NMI Controller	Processor I/F
62h	Microcontroller	Microcontroller	Forwarded to LPC
64h	Microcontroller	Microcontroller	Forwarded to LPC
66h	Microcontroller	Microcontroller	Forwarded to LPC
70h	RESERVED	NMI and RTC Controller	RTC
71h	RTC Controller	RTC Controller	RTC
72h	RTC Controller	NMI and RTC Controller	RTC
73h	RTC Controller	RTC Controller	RTC
74h	RTC Controller	NMI and RTC Controller	RTC
75h	RTC Controller	RTC Controller	RTC
76h	RTC Controller	NMI and RTC Controller	RTC
77h	RTC Controller	RTC Controller	RTC
80h	DMA Controller, or LPC, or PCI	DMA Controller and LPC or PCI	DMA
81h–83h	DMA Controller	DMA Controller	DMA





Table 6-2. Fixed I/O Ranges Decoded by Intel® ICH7 (Sheet 2 of 2)

I/O Address	Read Target	Write Target	Internal Unit
84h–86h	DMA Controller	DMA Controller and LPC or PCI	DMA
87h	DMA Controller	DMA Controller	DMA
88h	DMA Controller	DMA Controller and LPC or PCI	DMA
89h–8Bh	DMA Controller	DMA Controller	DMA
8Ch–8Eh	DMA Controller	DMA Controller and LPC or PCI	DMA
08Fh	DMA Controller	DMA Controller	DMA
90h–91h	DMA Controller	DMA Controller	DMA
92h	Reset Generator	Reset Generator	Processor I/F
93h–9Fh	DMA Controller	DMA Controller	DMA
A0h–A1h	Interrupt Controller	Interrupt Controller	Interrupt
A4h–A5h	Interrupt Controller	Interrupt Controller	Interrupt
A8h–A9h	Interrupt Controller	Interrupt Controller	Interrupt
ACh–ADh	Interrupt Controller	Interrupt Controller	Interrupt
B0h–B1h	Interrupt Controller	Interrupt Controller	Interrupt
B2h–B3h	Power Management	Power Management	Power Management
B4h–B5h	Interrupt Controller	Interrupt Controller	Interrupt
B8h–B9h	Interrupt Controller	Interrupt Controller	Interrupt
BCh–BDh	Interrupt Controller	Interrupt Controller	Interrupt
C0h–D1h	DMA Controller	DMA Controller	DMA
D2h–DDh	RESERVED	DMA Controller	DMA
DEh–DFh	DMA Controller	DMA Controller	DMA
F0h	FERR#/IGNNE# / Interrupt Controller	FERR#/IGNNE# / Interrupt Controller	Processor I/F
170h–177h	IDE Controller, SATA Controller, or PCI	IDE Controller, SATA Controller, or PCI	Forwarded to IDE or SATA
1F0h–1F7h	IDE Controller, SATA Controller, or PCI <sup>1</sup>	IDE Controller, SATA Controller, or PCI	Forwarded to IDE or SATA
376h	IDE Controller, SATA Controller, or PCI	IDE Controller, SATA Controller, or PCI	Forwarded to IDE or SATA
3F6h	IDE Controller, SATA Controller, or PCI <sup>1</sup>	IDE Controller, SATA Controller, or PCI	Forwarded IDE or SATA
4D0h–4D1h	Interrupt Controller	Interrupt Controller	Interrupt
CF9h	Reset Generator	Reset Generator	Processor I/F

**NOTES:**

1. Only if IDE I/O space is enabled (D31:F1:40 bit 15) and the IDE controller is in legacy mode. Otherwise, the target is PCI.



### 6.3.2 Variable I/O Decode Ranges

Table 6-3 shows the Variable I/O Decode Ranges. They are set using Base Address Registers (BARs) or other configuration bits in the various PCI configuration spaces. The PNP software (PCI or ACPI) can use their configuration mechanisms to set and adjust these values.

**Warning:** The Variable I/O Ranges should not be set to conflict with the Fixed I/O Ranges. Unpredictable results if the configuration software allows conflicts to occur. The ICH7 does not perform any checks for conflicts.

Table 6-3. Variable I/O Decode Ranges

Range Name	Mappable	Size (Bytes)	Target
ACPI	Anywhere in 64 KB I/O Space	64	Power Management
IDE Bus Master	Anywhere in 64 KB I/O Space	16	IDE Unit
Native IDE Command	Anywhere in 64 KB I/O Space	8	IDE Unit
Native IDE Control	Anywhere in 64 KB I/O Space	4	IDE Unit
USB UHCI Controller #1	Anywhere in 64 KB I/O Space	32	USB Unit 1
USB UHCI Controller #2	Anywhere in 64 KB I/O Space	32	USB Unit 2
USB UHCI Controller #3	Anywhere in 64 KB I/O Space	32	USB Unit 3
USB UHCI Controller #4	Anywhere in 64 KB I/O Space	32	USB Unit 4
SMBus	Anywhere in 64 KB I/O Space	32	SMB Unit
AC '97 Audio Mixer	Anywhere in 64 KB I/O Space	256	AC '97 Unit
AC '97 Audio Bus Master	Anywhere in 64 KB I/O Space	64	AC '97 Unit
AC '97 Modem Mixer	Anywhere in 64 KB I/O Space	256	AC '97 Unit
AC '97 Modem Bus Master	Anywhere in 64 KB I/O Space	128	AC '97 Unit
TCO	96 Bytes above ACPI Base	32	TCO Unit
GPIO	Anywhere in 64 KB I/O Space	64	GPIO Unit
Parallel Port	3 Ranges in 64 KB I/O Space	8	LPC Peripheral
Serial Port 1	8 Ranges in 64 KB I/O Space	8	LPC Peripheral
Serial Port 2	8 Ranges in 64 KB I/O Space	8	LPC Peripheral
Floppy Disk Controller	2 Ranges in 64 KB I/O Space	8	LPC Peripheral



Table 6-3. Variable I/O Decode Ranges

Range Name	Mappable	Size (Bytes)	Target
LAN	Anywhere in 64 KB I/O Space	64	LAN Unit
LPC Generic 1	Anywhere in 64 KB I/O Space	4 to 256	LPC Peripheral
LPC Generic 2 <sup>1</sup>	Anywhere in 64 KB I/O Space	4 to 256	LPC Peripheral
LPC Generic 3	Anywhere in 64 KB I/O Space	4 to 256	LPC Peripheral
LPC Generic 4	Anywhere in 64 KB I/O Space	4 to 256	LPC Peripheral
I/O Trapping Ranges	Anywhere in 64 KB I/O Space	1 to 256	Trap on Backbone

**NOTE:**

1. Decode range size determined by D31:F0:ADh:bits 5:4

## 6.4 Memory Map

Table 6-4 shows (from the processor perspective) the memory ranges that the ICH7 decodes. Cycles that arrive from DMI that are not directed to any of the internal memory targets that decode directly from DMI will be driven out on PCI unless the Subtractive Decode Policy bit is set (D31:F0:Offset 42h, bit 0). The ICH7 may then claim the cycle for the internal LAN controller.

PCI cycles generated by external PCI masters will be positively decoded unless they fall in the PCI-to-PCI bridge memory forwarding ranges (those addresses are reserved for PCI peer-to-peer traffic). If the cycle is not in the internal LAN controller's range, it will be forwarded up to DMI. Software must not attempt locks to the ICH7's memory-mapped I/O ranges for EHCI and HPET. If attempted, the lock is not honored which means potential deadlock conditions may occur.

Table 6-4. Memory Decode Ranges from Processor Perspective (Sheet 1 of 2)

Memory Range	Target	Dependency/Comments
0000 0000h–000D FFFFh 0010 0000h–TOM (Top of Memory)	Main Memory	TOM registers in Host controller
000E 0000h–000E FFFFh	Firmware Hub	Bit 6 in Firmware Hub Decode Enable register is set
000F 0000h–000F FFFFh	Firmware Hub	Bit 7 in Firmware Hub Decode Enable register is set
FEC0 0000h–FEC0 0100h	I/O APIC inside Intel® ICH7	
FED4 0000h–FED4 0FFFh	TPM on LPC	
FFC0 0000h–FFC7 FFFFh FF80 0000h–FF87 FFFFh	Firmware Hub (or PCI) <sup>1</sup>	Bit 8 in Firmware Hub Decode Enable register is set
FFC8 0000h–FFCF FFFFh FF88 0000h–FF8F FFFFh	Firmware Hub (or PCI) <sup>1</sup>	Bit 9 in Firmware Hub Decode Enable register is set



Table 6-4. Memory Decode Ranges from Processor Perspective (Sheet 2 of 2)

Memory Range	Target	Dependency/Comments
FFD0 0000h–FFD7 FFFFh FF90 0000h–FF97 FFFFh	Firmware Hub (or PCI) <sup>1</sup>	Bit 10 in Firmware Hub Decode Enable register is set
FFD8 0000h–FFDF FFFFh FF98 0000h–FF9F FFFFh	Firmware Hub (or PCI) <sup>1</sup>	Bit 11 in Firmware Hub Decode Enable register is set
FFE0 000h–FFE7 FFFFh FFA0 0000h–FFA7 FFFFh	Firmware Hub (or PCI) <sup>1</sup>	Bit 12 in Firmware Hub Decode Enable register is set
FFE8 0000h–FFEF FFFFh FFA8 0000h–FFAF FFFFh	Firmware Hub (or PCI) <sup>1</sup>	Bit 13 in Firmware Hub Decode Enable register is set
FFFO 0000h–FFF7 FFFFh FFB0 0000h–FFB7 FFFFh	Firmware Hub (or PCI) <sup>1</sup>	Bit 14 in Firmware Hub Decode Enable register is set
FFF8 0000h–FFFF FFFFh FFB8 0000h–FFBF FFFFh	Firmware Hub (or PCI) <sup>1</sup>	Always enabled. The top two, 64 KB blocks of this range can be swapped, as described in <a href="#">Section 7.4.1</a> .
FF70 0000h–FF7F FFFFh FF30 0000h–FF3F FFFFh	Firmware Hub (or PCI) <sup>1</sup>	Bit 3 in Firmware Hub Decode Enable register is set
FF60 0000h–FF6F FFFFh FF20 0000h–FF2F FFFFh	Firmware Hub (or PCI) <sup>1</sup>	Bit 2 in Firmware Hub Decode Enable register is set
FF50 0000h–FF5F FFFFh FF10 0000h–FF1F FFFFh	Firmware Hub (or PCI) <sup>1</sup>	Bit 1 in Firmware Hub Decode Enable register is set
FF40 0000h–FF4F FFFFh FF00 0000h–FF0F FFFFh	Firmware Hub (or PCI) <sup>1</sup>	Bit 0 in Firmware Hub Decode Enable register is set
4 KB anywhere in 4-GB range	Integrated LAN Controller <sup>2</sup>	Enable via BAR in Device 29:Function 0 (Integrated LAN Controller)
1 KB anywhere in 4-GB range	USB EHCI Controller <sup>2</sup>	Enable via standard PCI mechanism (Device 29, Function 7)
512 B anywhere in 4-GB range	AC '97 Host Controller (Mixer)	Enable via standard PCI mechanism (Device 30, Function 2)
256 B anywhere in 4-GB range	AC '97 Host Controller (Bus Master)	Enable via standard PCI mechanism (Device 30, Function 3)
512 B anywhere in 64-bit addressing space	Intel® High Definition Audio Host Controller	Enable via standard PCI mechanism (Device 30, Function 1)
FED0 X000h–FED0 X3FFh	High Precision Event Timers <sup>3</sup>	BIOS determines the “fixed” location which is one of four, 1-KB ranges where X (in the first column) is 0h, 1h, 2h, or 3h.
All other	PCI	None

**NOTES:**

1. PCI is the target when the Boot BIOS Destination selection bit is low (Chipset Config Registers: Offset 3401: bit 3). When PCI selected, the Firmware Hub Decode Enable bits have no effect.
2. Only LAN cycles can be seen on PCI.
3. Software must not attempt locks to memory mapped I/O ranges for USB EHCI or High Precision Event Timers. If attempted, the lock is not honored, which means potential deadlock conditions may occur.



## 6.4.1 Boot-Block Update Scheme

The ICH7 supports a “top-block swap” mode that has the ICH7 swap the top block in the Firmware Hub (the boot block) with another location. This allows for safe update of the Boot Block (even if a power failure occurs). When the “TOP\_SWAP” Enable bit is set, the ICH7 will invert A16 for cycles targeting Firmware Hub space. When this bit is 0, the ICH7 will not invert A16. This bit is automatically set to 0 by RTCRST#, but not by PLTRST#.

The scheme is based on the concept that the top block is reserved as the “boot” block, and the block immediately below the top block is reserved for doing boot-block updates.

The algorithm is:

1. Software copies the top block to the block immediately below the top
2. Software checks that the copied block is correct. This could be done by performing a checksum calculation.
3. Software sets the TOP\_SWAP bit. This will invert A16 for cycles going to the Firmware Hub. processor access to FFFF\_0000h through FFFF\_FFFFh will be directed to FFFE\_0000h through FFFE\_FFFFh in the Firmware Hub, and processor accesses to FFFE\_0000h through FFFE\_FFFF will be directed to FFFF\_0000h through FFFF\_FFFFh.
4. Software erases the top block
5. Software writes the new top block
6. Software checks the new top block
7. Software clears the TOP\_SWAP bit
8. Software sets the Top\_Swap Lock-Down bit

If a power failure occurs at any point after step 3, the system will be able to boot from the copy of the boot block that is stored in the block below the top. This is because the TOP\_SWAP bit is backed in the RTC well.

**Note:** The top-block swap mode may be forced by an external strapping option (See [Section 2.24.1](#)). When top-block swap mode is forced in this manner, the TOP\_SWAP bit cannot be cleared by software. A re-boot with the strap removed will be required to exit a forced top-block swap mode.

**Note:** Top-block swap mode only affects accesses to the Firmware Hub space, not feature space.

**Note:** The top-block swap mode has no effect on accesses below FFFE\_0000h.

§





## 7 Chipset Configuration Registers

This chapter describes all registers and base functionality that is related to chipset configuration and not a specific interface (e.g., LPC, PCI, or PCI Express\*). It contains the root complex register block that describes the behavior of the upstream internal link.

This block is mapped into memory space, using register RCBA of the PCI-to-LPC bridge. Accesses in this space must be limited to 32-(DWORD) bit quantities. Burst accesses are not allowed.

### 7.1 Chipset Configuration Registers (Memory Space)

**Note:** Address locations that are not shown should be treated as Reserved (see Section 6.2 for details).

**Table 7-1. Chipset Configuration Register Memory Map (Memory Space) (Sheet 1 of 3)**

Offset	Mnemonic	Register Name	Default	Type
0000–0003h	VCH	Virtual Channel Capability Header	10010002h	RO
0004–0007h	VCAP1	Virtual Channel Capability #1	00000801h	RO
0008–000Bh	VCAP2	Virtual Channel Capability #2	00000001h	RO
000C–000Dh	PVC	Port Virtual Channel Control	0000h	R/W, RO
000E–000Fh	PVS	Port Virtual Channel Status	0000h	RO
0010–0013h	VOCAP	Virtual Channel 0 Resource Capability	00000001h	RO
0014–0017h	VOCTL	Virtual Channel 0 Resource Control	800000FFh	R/W, RO
001A–001Bh	VOSTS	Virtual Channel 0 Resource Status	0000h	RO
001C–001Fh	V1CAP	Virtual Channel 1 Resource Capability	30008010h	R/WO, RO
0020–0023h	V1CTL	Virtual Channel 1 Resource Control	00000000h	R/W, RO
0026–0027h	V1STS	Virtual Channel 1 Resource Status	0000h	RO
0100–0103h	RCTCL	Root Complex Topology Capability List	1A010005h	RO
0104–0107h	ESD	Element Self Description	00000602h	R/WO, RO
0110–0113h	ULD	Upstream Link Descriptor	00000001h	R/WO, RO
0118–011Fh	ULBA	Upstream Link Base Address	0000000000000000h	R/WO
0120–0123h	RP1D	Root Port 1 Descriptor	01xx0002h	R/WO, RO
0128–012Fh	RP1BA	Root Port 1 Base Address	00000000000E0000h	RO
0130–0133h	RP2D	Root Port 2 Descriptor	02xx0002h	R/WO, RO
0138–013Fh	RP2BA	Root Port 2 Base Address	00000000000E1000h	RO
0140–0143h	RP3D	Root Port 3 Descriptor	03xx0002h	R/WO, RO



Table 7-1. Chipset Configuration Register Memory Map (Memory Space) (Sheet 2 of 3)

Offset	Mnemonic	Register Name	Default	Type
0148–014Fh	RP3BA	Root Port 3 Base Address	000000000000E2000h	RO
0150–0153h	RP4D	Root Port 4 Descriptor	04xx0002h	R/WO, RO
0158–015Fh	RP4BA	Root Port 4 Base Address	000000000000E3000h	RO
0160–0163h	HDD	Intel® High Definition Audio Descriptor	05xx0002h	R/WO, RO
0168–016Fh	HDBA	Intel® High Definition Audio Base Address	000000000000D8000h	RO
0170–0173h	RP5D	Root Port 5 Descriptor	05xx0002h	R/WO, RO
0178–017Fh	RP5BA	Root Port 5 Base Address	000000000000E4000h	RO
0180–0183h	RP6D	Root Port 6 Descriptor	06xx0002h	R/WO, RO
0188–018Fh	RP6BA	Root Port 6 Base Address	000000000000E5000h	RO
01A0–01A3h	ILCL	Internal Link Capability List	00010006h	RO
01A4–01A7h	LCAP	Link Capabilities	00012441h	RO, R/WO
01A8–01A9h	LCTL	Link Control	0000h	R/W
01AA–01ABh	LSTS	Link Status	0041h	RO
0224–0227h	RPC	Root Port Configuration	0000000xh	R/W, RO
0238–023Bh	RPFN	Root Port Function Number for PCI Express Root Ports (Desktop and Mobile only)	00543210h	R/WO, RO
1E00–1E03h	TRSR	Trap Status Register	00h	R/WC, RO
1E10–1E17h	TRCR	Trapped Cycle Register	0000000000000000h	RO
1E18–1E1Fh	TWDR	Trapped Write Data Register	0000000000000000h	RO
1E80–1E87h	IOTR0	I/O Trap Register 0	0000000000000000h	R/W, RO
1E88–1E8Fh	IOTR1	I/O Trap Register 1	0000000000000000h	R/W, RO
1E90–1E97h	IOTR2	I/O Trap Register 2	0000000000000000h	R/W, RO
1E98–1E9Fh	IOTR3	I/O Trap Register 3	0000000000000000h	R/W, RO
3000–3001h	TCTL	TCO Control	00h	R/W
3100–3103h	D31IP	Device 31 Interrupt Pin	00042210h	R/W, RO
3104–3107h	D30IP	Device 30 Interrupt Pin	00002100h	R/W, RO
3108–310Bh	D29IP	Device 29 Interrupt Pin	10004321h	R/W
310C–310Fh	D28IP	Device 28 Interrupt Pin	00004321h	R/W
3110–3113h	D27IP	Device 27 Interrupt Pin	00000001h	R/W
3140–3141h	D31IR	Device 31 Interrupt Route	3210h	R/W
3142–3143h	D30IR	Device 30 Interrupt Route	3210h	R/W
3144–3145h	D29IR	Device 29 Interrupt Route	3210h	R/W
3146–3147h	D28IR	Device 28 Interrupt Route	3210h	R/W
3148–3149h	D27IR	Device 27 Interrupt Route	3210h	R/W
31FF–31FFh	OIC	Other Interrupt Control	00h	R/W
3400–3403h	RC	RTC Configuration	00000000h	R/W, R/WLO
3404–3407h	HPTC	High Precision Timer Configuration	00000000h	R/W





Table 7-1. Chipset Configuration Register Memory Map (Memory Space) (Sheet 3 of 3)

Offset	Mnemonic	Register Name	Default	Type
3410–3413h	GCS	General Control and Status	0000000xh	R/W, R/WLO
3414–3414h	BUC	Backed Up Control	0000001xb (Mobile/Ultra Mobile Only) 0000000xb (Desktop Only)	R/W
3418–341Bh	FD	Function Disable	See bit description	R/W, RO
341C–341Fh	CG	Clock Gating (Mobile/Ultra Mobile Only)	00000000h	R/W, RO

### 7.1.1 VCH—Virtual Channel Capability Header Register

Offset Address: 0000–0003h  
Default Value: 10010002h

Attribute: RO  
Size: 32-bit

Bit	Description
31:20	Next Capability Offset (NCO) — RO. This field indicates the next item in the list.
19:16	Capability Version (CV) — RO. This field indicates support as a version 1 capability structure.
15:0	Capability ID (CID) — RO. This field indicates this is the Virtual Channel capability item.

### 7.1.2 VCAP1—Virtual Channel Capability #1 Register

Offset Address: 0004–0007h  
Default Value: 00000801h

Attribute: RO  
Size: 32-bit

Bit	Description
31:12	Reserved
11:10	Port Arbitration Table Entry Size (PATS) — RO. This field indicates the size of the port arbitration table is 4 bits (to allow up to 8 ports).
9:8	Reference Clock (RC) — RO. Fixed at 100 ns.
7	Reserved
6:4	Low Priority Extended VC Count (LPEVC) — RO. This field indicates that there are no additional VCs of low priority with extended capabilities.
3	Reserved
2:0	Extended VC Count (EVC) — RO. This field indicates that there is one additional VC (VC1) that exists with extended capabilities.



### 7.1.3 VCAP2—Virtual Channel Capability #2 Register

Offset Address: 0008–000Bh                      Attribute: RO  
Default Value: 00000001h                      Size: 32-bit

Bit	Description
31:24	VC Arbitration Table Offset (ATO) — RO. This field indicates that no table is present for VC arbitration since it is fixed.
23:8	Reserved
7:0	VC Arbitration Capability (AC) — RO. This field indicates that the VC arbitration is fixed in the root complex. VC1 is highest priority and VC0 is lowest priority.

### 7.1.4 PVC—Port Virtual Channel Control Register

Offset Address: 000C–000Dh                      Attribute: R/W, RO  
Default Value: 0000h                      Size: 16-bit

Bit	Description
15:04	Reserved
3:1	VC Arbitration Select (AS) — RO. This field indicates which VC should be programmed in the VC arbitration table. The root complex takes no action on the setting of this field since there is no arbitration table.
0	Load VC Arbitration Table (LAT) — RO. This bit indicates that the table programmed should be loaded into the VC arbitration table. This bit is defined as read/write with always returning 0 on reads.

### 7.1.5 PVS—Port Virtual Channel Status Register

Offset Address: 000E–000Fh                      Attribute: RO  
Default Value: 0000h                      Size: 16-bit

Bit	Description
15:01	Reserved
0	VC Arbitration Table Status (VAS) — RO. This bit indicates the coherency status of the VC Arbitration table when it is being updated. This field is always 0 in the root complex since there is no VC arbitration table.



### 7.1.6 VOCAP—Virtual Channel 0 Resource Capability Register

Offset Address: 0010–0013h                      Attribute: RO  
 Default Value: 00000001h                      Size: 32-bit

Bit	Description
31:24	Port Arbitration Table Offset (AT) — RO. This VC implements no port arbitration table since the arbitration is fixed.
23	Reserved
22:16	Maximum Time Slots (MTS) — RO. This VC implements fixed arbitration, and therefore this field is not used.
15	Reject Snoop Transactions (RTS) — RO. This VC must be able to take snoopable transactions.
14	Advanced Packet Switching (APS) — RO. This VC is capable of all transactions, not just advanced packet switching transactions.
13:8	Reserved
7:0	Port Arbitration Capability (PAC) — RO. This field indicates that this VC uses fixed port arbitration.

### 7.1.7 VOCTL—Virtual Channel 0 Resource Control Register

Offset Address: 0014–0017h                      Attribute: R/W, RO  
 Default Value: 800000FFh                      Size: 32-bit

Bit	Description
31	Virtual Channel Enable (EN) — RO. Always set to 1. VCO is always enabled and cannot be disabled.
30:27	Reserved
26:24	Virtual Channel Identifier (ID) — RO. This field indicates the ID to use for this virtual channel.
23:20	Reserved
19:17	<b>Port Arbitration Select (PAS)</b> — R/W. This field indicates which port table is being programmed. The root complex takes no action on this setting since the arbitration is fixed and there is no arbitration table.
16	Load Port Arbitration Table (LAT) — RO. The root complex does not implement an arbitration table for this virtual channel.
15:8	Reserved
7:1	<b>Transaction Class / Virtual Channel Map (TVM)</b> — R/W. This field indicates which transaction classes are mapped to this virtual channel. When a bit is set, this transaction class is mapped to the virtual channel.
0	Reserved



### 7.1.8 VOSTS—Virtual Channel 0 Resource Status Register

Offset Address: 001A–001Bh                      Attribute:                      RO  
Default Value: 0000h                              Size:                              16-bit

Bit	Description
15:02	Reserved
1	<b>VC Negotiation Pending (NP)</b> — RO. When set, this bit indicates the virtual channel is still being negotiated with ingress ports.
0	Port Arbitration Tables Status (ATS) — RO. There is no port arbitration table for this VC, so this bit is reserved at 0.

### 7.1.9 V1CAP—Virtual Channel 1 Resource Capability Register

Offset Address: 001C–001Fh                      Attribute:                      R/WO, RO  
Default Value: 30008010h                      Size:                              32-bit

Bit	Description
31:24	Port Arbitration Table Offset (AT) — RO. This field indicates the location of the port arbitration table in the root complex. A value of 3h indicates the table is at offset 30h.
23	Reserved
22:16	<b>Maximum Time Slots (MTS)</b> — R/WO. This value is updated by platform BIOS based upon the determination of the number of time slots available in the platform.
15	Reject Snoop Transactions (RTS) — RO. All snoopable transactions on VC1 are rejected. This VC is for isochronous transfers only.
14	Advanced Packet Switching (APS) — RO. This VC is capable of all transactions, not just advanced packet switching transactions.
13:8	Reserved
7:0	Port Arbitration Capability (PAC) — RO. This field indicates the port arbitration capability is time-based WRR of 128 phases.



### 7.1.10 V1CTL—Virtual Channel 1 Resource Control Register

Offset Address: 0020–0023h      Attribute: R/W, RO  
 Default Value: 00000000h      Size: 32-bit

Bit	Description
31	<b>Virtual Channel Enable (EN)</b> — R/W. 0 = Disables the VC. 1 = Enables the VC.
30:27	Reserved
26:24	<b>Virtual Channel Identifier (ID)</b> — R/W. This field indicates the ID to use for this virtual channel.
23:20	Reserved
19:17	<b>Port Arbitration Select (PAS)</b> — R/W. This field indicates which port table is being programmed. The only permissible value of this field is 4h for the time-based WRR entries.
16	<b>Load Port Arbitration Table (LAT)</b> — RO/W. When set, the port arbitration table loaded is based upon the PAS field in this register. This bit always returns 0 when read.
15:8	Reserved
7:1	<b>Transaction Class / Virtual Channel Map (TVM)</b> — R/W. This field indicates which transaction classes are mapped to this virtual channel. When a bit is set, this transaction class is mapped to the virtual channel.
0	Reserved

### 7.1.11 V1STS—Virtual Channel 1 Resource Status Register

Offset Address: 0026–0027h      Attribute: RO  
 Default Value: 0000h      Size: 16-bit

Bit	Description
15:02	Reserved
1	<b>VC Negotiation Pending (NP)</b> — RO. 0 = Virtual channel is <b>Not</b> being negotiated with ingress ports. 1 = The virtual channel is still being negotiated with ingress ports.
0	<b>Port Arbitration Tables Status (ATS)</b> — RO. This field indicates the coherency status of the port arbitration table. This bit is set when LAT (offset 000Ch:bit 0) is written with value 1 and PAS (offset 0014h:bits19:17) has value of 4h. This bit is cleared after the table has been updated.



### 7.1.12 RCTCL—Root Complex Topology Capabilities List Register

Offset Address: 0100–0103h                      Attribute: RO  
 Default Value: 1A010005h                      Size: 32-bit

Bit	Description
31:20	Next Capability (NEXT) — RO. This field indicates the next item in the list.
19:16	Capability Version (CV) — RO. This field indicates the version of the capability structure.
15:0	Capability ID (CID) — RO. This field indicates this is a PCI Express* link capability section of an RCRB.

### 7.1.13 ESD—Element Self Description Register

Offset Address: 0104–0107h                      Attribute: R/WO, RO  
 Default Value: 00000602h                      Size: 32-bit

Bit	Description
31:24	Port Number (PN) — RO. A value of 0 to indicate the egress port for the Intel® ICH7.
23:16	<b>Component ID (CID)</b> — R/WO. This field indicates the component ID assigned to this element by software. This is written once by platform BIOS and is locked until a platform reset.
15:8	Number of Link Entries (NLE) — RO. This field indicates that one link entry (corresponding to DMI), 6 root port entries (for the downstream ports), and the Intel® High Definition Audio device are described by this RCRB.
7:4	Reserved
3:0	Element Type (ET) — RO. This field indicates that the element type is a root complex internal link.

### 7.1.14 ULD—Upstream Link Descriptor Register

Offset Address: 0110–0113h                      Attribute: R/WO, RO  
 Default Value: 00000001h                      Size: 32-bit

Bit	Description
31:24	<b>Target Port Number (PN)</b> — R/WO. This field is programmed by platform BIOS to match the port number of the (G)MCH RCRB that is attached to this RCRB.
23:16	<b>Target Component ID (TCID)</b> — R/WO. This field is programmed by platform BIOS to match the component ID of the (G)MCH RCRB that is attached to this RCRB.
15:2	Reserved
1	<b>Link Type (LT)</b> — RO. This bit indicates that the link points to the (G)MCH RCRB.
0	<b>Link Valid (LV)</b> — RO. This bit indicates that the link entry is valid.



### 7.1.15 ULBA—Upstream Link Base Address Register

Offset Address: 0118–011Fh      Attribute: R/WO  
 Default Value: 0000000000000000h      Size: 64-bit

Bit	Description
63:32	<b>Base Address Upper (BAU)</b> — R/WO. This field is programmed by platform BIOS to match the upper 32-bits of base address of the (G)MCH RCRB that is attached to this RCRB.
31:0	<b>Base Address Lower (BAL)</b> — R/WO. This field is programmed by platform BIOS to match the lower 32-bits of base address of the (G)MCH RCRB that is attached to this RCRB.

### 7.1.16 RP1D—Root Port 1 Descriptor Register

Offset Address: 0120–0123h      Attribute: R/WO, RO  
 Default Value: 01xx0002h      Size: 32-bit

Bit	Description
31:24	<b>Target Port Number (PN)</b> — RO. This field indicates that the target port number is 1h (root port #1).
23:16	<b>Target Component ID (TCID)</b> — R/WO. This field returns the value of the ESD.CID (offset 0104h, bits 23:16) field programmed by platform BIOS, since the root port is in the same component as the RCRB.
15:2	Reserved
1	<b>Link Type (LT)</b> — RO. This bit indicates that the link points to a root port.
0	<b>Link Valid (LV)</b> — RO. When FD.PE1D (offset 3418h, bit 16) is set, this link is not valid (returns 0). When FD.PE1D is cleared, this link is valid (returns 1).

### 7.1.17 RP1BA—Root Port 1 Base Address Register

Offset Address: 0128–012Fh      Attribute: RO  
 Default Value: 000000000000E0000h      Size: 64-bit

Bit	Description
63:32	Reserved
31:28	Reserved
27:20	<b>Bus Number (BN)</b> — RO. This field indicates the root port is on bus #0.
19:15	<b>Device Number (DN)</b> — RO. This field indicates the root port is on device #28.
14:12	<b>Function Number (FN)</b> — RO. This field indicates the root port is on function #0.
11:0	Reserved



### 7.1.18 RP2D—Root Port 2 Descriptor Register

Offset Address: 0130–0133h                      Attribute:                      R/WO, RO  
 Default Value: 02xx0002h                      Size:                              32-bit

Bit	Description
31:24	Target Port Number (PN) — RO. This field indicates the target port number is 2h (root port #2).
23:16	<b>Target Component ID (TCID)</b> — R/WO. This field returns the value of the ESD.CID (offset 0104h, bits 23:16) field programmed by platform BIOS, since the root port is in the same component as the RCRB.
15:2	Reserved
1	Link Type (LT) — RO. This bit indicates that the link points to a root port.
0	<b>Link Valid (LV)</b> — RO. When RPC.PC (offset 0224h, bits 1:0) is '01', '10', or '11', or FD.PE2D (offset 3418h, bit 17) is set, the link for this root port is not valid (return 0). When RPC.PC is '00' and FD.PE2D is cleared, the link for this root port is valid (return 1).

### 7.1.19 RP2BA—Root Port 2 Base Address Register

Offset Address: 0138–013Fh                      Attribute:                      RO  
 Default Value: 000000000000E1000h                      Size:                              64-bit

Bit	Description
63:32	Reserved
31:28	Reserved
27:20	Bus Number (BN) — RO. This field indicates the root port is on bus #0.
19:15	Device Number (DN) — RO. This field indicates the root port is on device #28.
14:12	Function Number (FN) — RO. This field indicates the root port is on function #1.
11:0	Reserved

### 7.1.20 RP3D—Root Port 3 Descriptor Register

Offset Address: 0140–0143h                      Attribute:                      R/WO, RO  
 Default Value: 03xx0002h                      Size:                              32-bit

Bit	Description
31:24	Target Port Number (PN) — RO. This field indicates the target port number is 3h (root port #3).
23:16	<b>Target Component ID (TCID)</b> — R/WO. This field returns the value of the ESD.CID (offset 0104h, bits 23:16) field programmed by platform BIOS, since the root port is in the same component as the RCRB.
15:2	Reserved
1	Link Type (LT) — RO. This bit indicates that the link points to a root port.
0	<b>Link Valid (LV)</b> — RO. When RPC.PC (offset 0224h, bits 1:0) is '11', or FD.PE3D (offset 3418h, bit 18) is set, the link for this root port is not valid (return 0). When RPC.PC is '00', '01', or '10', and FD.PE3D is cleared, the link for this root port is valid (return 1).





### 7.1.21 RP3BA—Root Port 3 Base Address Register

Offset Address: 0148–014Fh      Attribute: RO  
 Default Value: 00000000000E2000h      Size: 64-bit

Bit	Description
63:32	Reserved
31:28	Reserved
27:20	Bus Number (BN) — RO. This field indicates the root port is on bus #0.
19:15	Device Number (DN) — RO. This field indicates the root port is on device #28.
14:12	Function Number (FN) — RO. This field indicates the root port is on function #2.
11:0	Reserved

### 7.1.22 RP4D—Root Port 4 Descriptor Register

Offset Address: 0150–0153h      Attribute: R/WO, RO  
 Default Value: 04xx0002h      Size: 32-bit

Bit	Description
31:24	Target Port Number (PN) — RO. This field indicates the target port number is 4h (root port #4).
23:16	<b>Target Component ID (TCID)</b> — R/WO. This field returns the value of the ESD.CID (offset 0104h, bits 23:16) field programmed by platform BIOS, since the root port is in the same component as the RCRB.
15:2	Reserved
1	Link Type (LT) — RO. This bit indicates that the link points to a root port.
0	<b>Link Valid (LV)</b> — RO. When RPC.PC (offset 0224h, bits 1:0) is '10' or '11', or FD.PE4D (offset 3418h, bit 19) is set, the link for this root port is not valid (return 0). When RPC.PC is '00' or '01' and FD.PE4D is cleared, the link for this root port is valid (return 1).

### 7.1.23 RP4BA—Root Port 4 Base Address Register

Offset Address: 0158–015Fh      Attribute: RO  
 Default Value: 00000000000E3000h      Size: 64-bit

Bit	Description
63:32	Reserved
31:28	Reserved
27:20	Bus Number (BN) — RO. This field indicates the root port is on bus #0.
19:15	Device Number (DN) — RO. This field indicates the root port is on device #28.
14:12	Function Number (FN) — RO. This field indicates the root port is on function #3.
11:0	Reserved



### 7.1.24 HDD—Intel® High Definition Audio Descriptor Register

Offset Address: 0160–0163h                      Attribute: R/WO, RO  
 Default Value: 15xx0002h                      Size: 32-bit

Bit	Description
31:24	Target Port Number (PN) — RO. This field indicates the target port number is 15h (Intel® High Definition Audio).
23:16	<b>Target Component ID (TCID)</b> — R/WO. This field returns the value of the ESD.CID (offset 0104h, bits 23:16) field programmed by platform BIOS, since the root port is in the same component as the RCRB.
15:2	Reserved
1	Link Type (LT) — RO. This bit indicates that the link points to a root port.
0	<b>Link Valid (LV)</b> — RO. When FD.ZD (offset 3418h, bit 4) is set, the link to Intel High Definition Audio is not valid (return 0). When FD.ZD is cleared, the link to Intel High Definition Audio is valid (return 1).

### 7.1.25 HDBA—Intel® High Definition Audio Base Address Register

Offset Address: 0168–016Fh                      Attribute: RO  
 Default Value: 0000000000D8000h                      Size: 64-bit

Bit	Description
63:32	Reserved
31:28	Reserved
27:20	Bus Number (BN) — RO. This field indicates the root port is on bus #0.
19:15	Device Number (DN) — RO. This field indicates the root port is on device #27.
14:12	Function Number (FN) — RO. This field indicates the root port is on function #0.
11:0	Reserved

### 7.1.26 RP5D—Root Port 5 Descriptor Register

Offset Address: 0170–0173h                      Attribute: R/WO, RO  
 Default Value: 05xx0002h                      Size: 32-bit

Bit	Description
31:24	Target Port Number (PN) — RO. This field indicates the target port number is 5h (root port #5).
23:16	<b>Target Component ID (TCID)</b> — R/WO. This field returns the value of the ESD.CID (offset 0104h, bits 23:16) field programmed by platform BIOS, since the root port is in the same component as the RCRB.
15:2	Reserved
1	Link Type (LT) — RO. This bit indicates that the link points to a root port.
0	<b>Link Valid (LV)</b> — RO. When FD.PE5D (offset 3418h, bit 20) is set, the link for this root port is not valid (return 0). When FD.PE5D is cleared, the link for this root port is valid (return 1).



### 7.1.27 RP5BA—Root Port 5 Base Address Register

Offset Address: 0178–017Fh      Attribute: RO  
 Default Value: 00000000000E4000h      Size: 64-bit

Bit	Description
63:32	Reserved
31:28	Reserved
27:20	Bus Number (BN) — RO. This field indicates the root port is on bus #0.
19:15	Device Number (DN) — RO. This field indicates the root port is on device #28.
14:12	Function Number (FN) — RO. This field indicates the root port is on function #4.
11:0	Reserved

### 7.1.28 RP6D—Root Port 6 Descriptor Register

Offset Address: 0180–0183h      Attribute: R/WO, RO  
 Default Value: 06xx0002h      Size: 32-bit

Bit	Description
31:24	Target Port Number (PN) — RO. This field indicates the target port number is 6h (root port #6).
23:16	<b>Target Component ID (TCID)</b> — R/WO. This field returns the value of the ESD.CID (offset 0104h, bits 23:16) field programmed by platform BIOS, since the root port is in the same component as the RCRB.
15:2	Reserved
1	Link Type (LT) — RO. This bit indicates that the link points to a root port.
0	<b>Link Valid (LV)</b> — RO. When RPC.PC2 (offset 0224h, bits 1:0) is '01' or FD.PE6D (offset 3418h, bit 21) is set, the link for this root port is not valid (return 0). When RPC.PC is '00' and FD.PE6D is cleared, the link for this root port is valid (return 1).

### 7.1.29 RP6BA—Root Port 6 Base Address Register

Offset Address: 0188–018Fh      Attribute: RO  
 Default Value: 00000000000E5000h      Size: 64-bit

Bit	Description
63:32	Reserved
31:28	Reserved
27:20	Bus Number (BN) — RO. This field indicates the root port is on bus #0.
19:15	Device Number (DN) — RO. This field indicates the root port is on device #28.
14:12	Function Number (FN) — RO. This field indicates the root port is on function #5.
11:0	Reserved



### 7.1.30 ILCL—Internal Link Capabilities List Register

Offset Address: 01A0–01A3h                      Attribute: RO  
 Default Value: 00010006h                      Size: 32-bit

Bit	Description
31:20	Next Capability Offset (NEXT) — RO. Indicates this is the last item in the list.
19:16	Capability Version (CV) — RO. This field indicates the version of the capability structure.
15:0	Capability ID (CID) — RO. This field indicates this is capability for DMI.

### 7.1.31 LCAP—Link Capabilities Register

Offset Address: 01A4–01A7h                      Attribute: RO/ R/WO  
 Default Value: 00012441h                      Size: 32-bit

Bit	Description
31:18	Reserved
17:15 Desktop Only	L1 Exit Latency (EL1) — L1 not supported on DMI.
17:15 Mobile/ Ultra Mobile Only	L1 Exit Latency (EL1) — RO. This field is set to 010b to indicate an exit latency of 2 us to 4 us.
14:12	L0s Exit Latency (ELO) — R/WO. This field indicates that exit latency is 128 ns to less than 256 ns.
11:10 Desktop Only	Active State Link PM Support (ASPM) — R/WO. This field indicates that L0s is supported on DMI.
11:10 Mobile/ Ultra Mobile Only	Active State Link PM Support (ASPM) — R/WO. This field indicates the level of active state power management on DMI. 00 = Neither L0s nor L1s are supported 01 = L0s Entry supported on DMI 10 = L1 Entry supported on DMI 11 = Both L0s and L1 supported on DMI
9:4	Maximum Link Width (MLW) — Indicates the maximum link width is 4 ports.
3:0	Maximum Link Speed (MLS) — Indicates the link speed is 2.5 Gb/s.



### 7.1.32 LCTL—Link Control Register

Offset Address: 01A8–01A9h      Attribute: R/W  
 Default Value: 0000h      Size: 16-bit

Bit	Description
15:8	Reserved
7	<b>Extended Synch (ES)</b> — R/W. When set, this bit forces extended transmission of FTS ordered sets when exiting L0s prior to entering L0 and extra sequences (Mobile/ Ultra Mobile Only) at exit from L1 prior to entering L0.
6:2	Reserved
1:0 Desktop Only	<b>Active State Link PM Control (APMC)</b> — R/W. This field indicates whether DMI should enter L0s. 00 = Disabled 01 = L0s entry enabled 10 = Reserved 11 = Reserved
1:0 Mobile/ Ultra Mobile Only	<b>Active State Link PM Control (APMC)</b> — R/W. This field indicates whether DMI should enter L0s or L1 or both. 00 = Disabled 01 = L0s entry enabled 10 = L1 Entry enabled 11 = L0s and L1 Entry enabled

### 7.1.33 LSTS—Link Status Register

Offset Address: 01AA–01ABh      Attribute: RO  
 Default Value: 0041h      Size: 16-bit

Bit	Description
15:10	Reserved
9:4	<b>Negotiated Link Width (NLW)</b> — RO. Negotiated link width is x4 (000100b). Mobile/ Ultra Mobile only: The ICH7 may also indicate x2 (000010b), depending on (G)MCH configuration.
3:0	<b>Link Speed (LS)</b> — RO. Link is 2.5 Gb/s.



### 7.1.34 RPC—Root Port Configuration Register

Offset Address: 0224–0227h      Attribute: R/W, RO  
 Default Value: 0000000yh (y = 00xxb)      Size: 32-bit

Bit	Description
31:8	Reserved
7	<b>High Priority Port Enable (HPE)</b> — R/W. 0 = The high priority path is not enabled. 1 = The port selected by the HPP field in this register is enabled for high priority. It will be arbitrated above all other VCO (including integrated VCO) devices.
6:4	<b>High Priority Port (HPP)</b> — R/W. This field controls which port is enabled for high priority when the HPE bit in this register is set. 111 = Reserved 110 = Reserved 101 = Port 6 100 = Port 5 100 = Port 4 010 = Port 3 001 = Port 2 000 = Port 1
3	Reserved
2	<b>Port Configuration2 (PC2)</b> — RO. This bit controls how the PCI bridges are organized in various modes of operation for Ports 5 and 6. 1 = Reserved 0 = 2 x1s, Port 5 (x1), Port 6 (x1) This bit is in the resume well and is only reset by RSMRST#.
1:0	<b>Port Configuration (PC)</b> — RO. This field controls how the PCI bridges are organized in various modes of operation. For the following mappings, if a port is not shown, it is considered a x1 port with no connection. These bits represent the strap values of ACZ_SDOUT (bit 1) and ACZ_SYNC (bit 0) when TP3 is not pulled low at the rising edge of PWROK. 11 = 1 x4, Port 1 (x4) 10 = Reserved 01 = Reserved 00 = 4 x1s, Port 1 (x1), Port 2 (x1), Port 3 (x1), Port 4 (x1) These bits live in the resume well and are only reset by RSMRST#.



### 7.1.35 RPFN—Root Port Function Number for PCI Express Root Ports (Desktop and Mobile only)

Offset Address: 0238–023Bh                      Attribute: R/WO, RO  
 Default Value: 00543210h                      Size: 32-bit

For the PCI Express root ports, the assignment of a function number to a root port is not fixed. BIOS may re-assign the function numbers on a port by port basis. This capability will allow BIOS to disable/hide any root port and have still have functions 0 thru N-1 where N is the total number of enabled root ports.

Port numbers will remain fixed to a physical root port.

The existing root port Function Disable registers operate on physical ports (not functions).

Port Configuration (1x4, 4x1, etc.) is not affected by the logical function number assignment and is associated with physical ports.

Bit	Description
31:23	Reserved
22:20	<b>Root Port 6 Function Number (RP6FN)</b> — R/WO. These bits set the function number for PCI Express Root Port 6. This root port function number must be a unique value from the other root port function numbers.
19	Reserved
18:16	<b>Root Port 5 Function Number (RP5FN)</b> — R/WO. These bits set the function number for PCI Express Root Port 5. This root port function number must be a unique value from the other root port function numbers.
15	Reserved
14:12	<b>Root Port 4 Function Number (RP4FN)</b> — R/WO. These bits set the function number for PCI Express Root Port 4. This root port function number must be a unique value from the other root port function numbers.
11	Reserved
10:8	<b>Root Port 3 Function Number (RP3FN)</b> — R/WO. These bits set the function number for PCI Express Root Port 3. This root port function number must be a unique value from the other root port function numbers.
7	Reserved
6:4	<b>Root Port 2 Function Number (RP2FN)</b> — R/WO. These bits set the function number for PCI Express Root Port 2. This root port function number must be a unique value from the other root port function numbers.
3	Reserved
2:0	<b>Root Port 1 Function Number (RP1FN)</b> — R/WO. These bits set the function number for PCI Express Root Port 1. This root port function number must be a unique value from the other root port function numbers.



### 7.1.36 TRSR—Trap Status Register

Offset Address: 1E00–1E03h      Attribute: R/WC, RO  
 Default Value: 00000000h      Size: 32-bit

Bit	Description
31:4	Reserved
3:0	<p><b>Cycle Trap SMI# Status (CTSS)</b> — R/WC. These bits are set by hardware when the corresponding Cycle Trap register is enabled and a matching cycle is received (and trapped). These bits are OR'ed together to create a single status bit in the Power Management register space.</p> <p>Note that the SMI# and trapping must be enabled in order to set these bits. These bits are set before the completion is generated for the trapped cycle, thereby ensuring that the processor can enter the SMI# handler when the instruction completes. Each status bit is cleared by writing a 1 to the corresponding bit location in this register.</p>

### 7.1.37 TRCR—Trapped Cycle Register

Offset Address: 1E10–1E17h      Attribute: RO  
 Default Value: 0000000000000000h      Size: 64-bit

This register saves information about the I/O Cycle that was trapped and generated the SMI# for software to read.

Bit	Description
63:25	Reserved
24	<p><b>Read/Write# (RWI)</b> — RO.            0 = Trapped cycle was a write cycle.            1 = Trapped cycle was a read cycle.</p>
23:20	Reserved
19:16	<p><b>Active-high Byte Enables (AHBE)</b> — RO. This is the DWord-aligned byte enables associated with the trapped cycle. A 1 in any bit location indicates that the corresponding byte is enabled in the cycle.</p>
15:2	<p><b>Trapped I/O Address (TIOA)</b> — RO. This is the DWord-aligned address of the trapped cycle.</p>
1:0	Reserved

### 7.1.38 TWDR—Trapped Write Data Register

Offset Address: 1E18–1E1Fh      Attribute: RO  
 Default Value: 0000000000000000h      Size: 64-bit

This register saves the data from I/O write cycles that are trapped for software to read.

Bit	Description
63:32	Reserved
31:0	<p><b>Trapped I/O Data (TIOD)</b> — RO. DWord of I/O write data. This field is undefined after trapping a read cycle.</p>





### 7.1.39 IOTRn — I/O Trap Register (0-3)

Offset Address:	1E80–1E87h Register 0 1E88–1E8Fh Register 1 1E90–1E97h Register 2 1E98–1E9Fh Register 3	Attribute:	R/W, RO
Default Value:	0000000000000000h	Size:	64-bit

These registers are used to specify the set of I/O cycles to be trapped and to enable this functionality.

Bit	Description
63:50	Reserved
49	<b>Read/Write Mask (RWM)</b> — R/W. 0 = The cycle must match the type specified in bit 48. 1 = Trapping logic will operate on both read and write cycles.
48	<b>Read/Write# (RWIO)</b> — R/W. 0 = Write 1 = Read <b>NOTE:</b> The value in this field does not matter if bit 49 is set.
47:40	Reserved
39:36	<b>Byte Enable Mask (BEM)</b> — R/W. A 1 in any bit position indicates that any value in the corresponding byte enable bit in a received cycle will be treated as a match. The corresponding bit in the Byte Enables field, below, is ignored.
35:32	<b>Byte Enables (TBE)</b> — R/W. Active-high DWord-aligned byte enables.
31:24	Reserved
23:18	<b>Address[7:2] Mask (ADMA)</b> — R/W. A 1 in any bit position indicates that any value in the corresponding address bit in a received cycle will be treated as a match. The corresponding bit in the Address field, below, is ignored. The mask is only provided for the lower 6 bits of the DWord address, allowing for traps on address ranges up to 256 bytes in size.
17:16	Reserved
15:2	<b>I/O Address[15:2] (IOAD)</b> — R/W. DWord-aligned address
1	Reserved
0	<b>Trap and SMI# Enable (TRSE)</b> — R/W. 0 = Trapping and SMI# logic disabled. 1 = The trapping logic specified in this register is enabled.



### 7.1.40 TCTL—TCO Configuration Register

Offset Address: 3000–3000h  
Default Value: 00h

Attribute: R/W  
Size: 8-bit

Bit	Description
7	<b>TCO IRQ Enable (IE)</b> — R/W. 0 = TCO IRQ is disabled. 1 = TCO IRQ is enabled, as selected by the TCO_IRQ_SEL field.
6:3	Reserved
2:0	<b>TCO IRQ Select (IS)</b> — R/W. Specifies on which IRQ the TCO will internally appear. If not using the APIC, the TCO interrupt must be routed to IRQ9-11, and that interrupt is not sharable with the SERIRQ stream, but is shareable with other PCI interrupts. If using the APIC, the TCO interrupt can also be mapped to IRQ20-23, and can be shared with other interrupt. 000 = IRQ 9 001 = IRQ 10 010 = IRQ 11 011 = Reserved 100 = IRQ 20 (only if APIC enabled) 101 = IRQ 21 (only if APIC enabled) 110 = IRQ 22 (only if APIC enabled) 111 = IRQ 23 (only if APIC enabled)  <b>NOTE:</b> When setting the these bits, the IE bit should be cleared to prevent glitching. <b>NOTE:</b> When the interrupt is mapped to APIC interrupts 9, 10 or 11, the APIC should be programmed for active-high reception. When the interrupt is mapped to APIC interrupts 20 through 23, the APIC should be programmed for active-low reception.



### 7.1.41 D31IP—Device 31 Interrupt Pin Register

Offset Address: 3100–3103h  
 Default Value: 00042210h

Attribute: R/W, RO  
 Size: 32-bit

Bit	Description
31:16	Reserved
15:12	<p><b>SM Bus Pin (SMIP)</b> — R/W. This field indicates which pin the SMBus controller drives as its interrupt.</p> <p>0h = No interrupt            1h = INTA#            2h = INTB# (Default)            3h = INTC#            4h = INTD#            5h–Fh = Reserved</p>
11:8	<p><b>SATA Pin (SIP)</b> — R/W. This field indicates which pin the SATA controller drives as its interrupt.</p> <p>0h = No interrupt            1h = INTA#            2h = INTB# (Default)            3h = INTC#            4h = INTD#            5h–Fh = Reserved</p>
7:4	<p><b>PATA Pin (PIP)</b> — R/W. This field indicates which pin the PATA controller drives as its interrupt.</p> <p>0h = No interrupt            1h = INTA# (Default)            2h = INTB#            3h = INTC#            4h = INTD#            5h–Fh = Reserved</p>
3:0	<p>PCI Bridge Pin (PCIP) — RO. Currently, the PCI bridge does not generate an interrupt, so this field is read-only and 0.</p>



### 7.1.42 D30IP—Device 30 Interrupt Pin Register

Offset Address: 3104–3107h  
Default Value: 00002100h

Attribute: R/W, RO  
Size: 32-bit

Bit	Description
31:16	Reserved
15:12 (Desktop and Mobile Only)	<b>AC '97 Modem Pin (AMIP)</b> — R/W. This field indicates which pin the AC '97 Modem controller drives as its interrupt. 0h = No interrupt 1h = INTA# 2h = INTB# (Default) 3h = INTC# 4h = INTD# 5h–Fh = Reserved
15:12 (Ultra Mobile Only)	Reserved
11:8 (Desktop and Mobile Only)	<b>AC '97 Audio Pin (AAIP)</b> — R/W. This field indicates which pin the AC '97 audio controller drives as its interrupt. 0h = No interrupt 1h = INTA# (Default) 2h = INTB# 3h = INTC# 4h = INTD# 5h–Fh = Reserved
11:8 (Ultra Mobile Only)	Reserved
7:4	Reserved
3:0	LPC Bridge Pin (LIP) — RO. Currently, the LPC bridge does not generate an interrupt, so this field is read-only and 0.



### 7.1.43 D29IP—Device 29 Interrupt Pin Register

Offset Address: 3108–310Bh  
 Default Value: 10004321h

Attribute: R/W  
 Size: 32-bit

Bit	Description
31:28	<p><b>EHCI Pin (EIP)</b> — R/W. This field indicates which pin the EHCI controller drives as its interrupt.</p> <p>0h = No interrupt            1h = INTA# (Default)            2h = INTB#            3h = INTC#            4h = INTD#            5h–Fh = Reserved</p>
27:16	Reserved
15:12	<p><b>UHCI #3 Pin (U3P)</b> — R/W. This field indicates which pin the UHCI controller #3 (ports 6 and 7) drives as its interrupt.</p> <p>0h = No interrupt            1h = INTA#            2h = INTB#            3h = INTC#            4h = INTD# (Default)            5h–Fh = Reserved</p>
11:8	<p><b>UHCI #2 Pin (U2P)</b> — R/W. This field indicates which pin the UHCI controller #2 (ports 4 and 5) drives as its interrupt.</p> <p>0h = No interrupt            1h = INTA#            2h = INTB#            3h = INTC# (Default)            4h = INTD#            5h–Fh = Reserved</p>
7:4	<p><b>UHCI #1 Pin (U1P)</b> — R/W. This field indicates which pin the UHCI controller #1 (ports 2 and 3) drives as its interrupt.</p> <p>0h = No interrupt            1h = INTA#            2h = INTB# (Default)            3h = INTC#            4h = INTD#            5h–Fh = Reserved</p>
3:0	<p><b>UHCI #0 Pin (U0P)</b> — R/W. This field indicates which pin the UHCI controller #0 (ports 0 and 1) drives as its interrupt.</p> <p>0h = No interrupt            1h = INTA# (Default)            2h = INTB#            3h = INTC#            4h = INTD#            5h–Fh = Reserved</p>



### 7.1.44 D28IP—Device 28 Interrupt Pin Register (Desktop and Mobile Only)

Offset Address: 310C–310Fh  
 Default Value: 00214321h

Attribute: R/W  
 Size: 32-bit

Bit	Description
31:24	Reserved
23:20	<p><b>PCI Express #6 Pin (P6IP)</b> — R/W. This field indicates which pin the PCI Express* port #6 drives as its interrupt.</p> <p>0h = No interrupt            1h = INTA#            2h = INTB# (Default)            3h = INTC#            4h = INTD#            5h–Fh = Reserved</p>
19:16	<p><b>PCI Express #5 Pin (P5IP)</b> — R/W. This field indicates which pin the PCI Express port #5 drives as its interrupt.</p> <p>0h = No interrupt            1h = INTA# (Default)            2h = INTB#            3h = INTC#            4h = INTD#            5h–Fh = Reserved</p>
15:12	<p><b>PCI Express #4 Pin (P4IP)</b> — R/W. This field indicates which pin the PCI Express* port #4 drives as its interrupt.</p> <p>0h = No interrupt            1h = INTA#            2h = INTB#            3h = INTC#            4h = INTD# (Default)            5h–Fh = Reserved</p>
11:8	<p><b>PCI Express #3 Pin (P3IP)</b> — R/W. This field indicates which pin the PCI Express port #3 drives as its interrupt.</p> <p>0h = No interrupt            1h = INTA#            2h = INTB#            3h = INTC# (Default)            4h = INTD#            5h–Fh = Reserved</p>
7:4	<p><b>PCI Express #2 Pin (P2IP)</b> — R/W. This field indicates which pin the PCI Express port #2 drives as its interrupt.</p> <p>0h = No interrupt            1h = INTA#            2h = INTB# (Default)            3h = INTC#            4h = INTD#            5h–Fh = Reserved</p>



Bit	Description
3:0	<b>PCI Express #1 Pin (P1IP)</b> — R/W. This field indicates which pin the PCI Express port #1 drives as its interrupt. 0h = No interrupt 1h = INTA# (Default) 2h = INTB# 3h = INTC# 4h = INTD# 5h–Fh = Reserved

### 7.1.45 D27IP—Device 27 Interrupt Pin Register

Offset Address: 3110–3113h                      Attribute: R/W  
 Default Value: 00000001h                      Size: 32-bit

Bit	Description
31:4	Reserved
3:0	<b>Intel® High Definition Audio Pin (ZIP)</b> — R/W. This field indicates which pin the Intel High Definition Audio controller drives as its interrupt. 0h = No interrupt 1h = INTA# (Default) 2h = INTB# 3h = INTC# 4h = INTD# 5h–Fh = Reserved

### 7.1.46 D31IR—Device 31 Interrupt Route Register

Offset Address: 3140–3141h                      Attribute: R/W  
 Default Value: 3210h                              Size: 16-bit

Bit	Description
15	Reserved
14:12	<b>Interrupt D Pin Route (IDR)</b> — R/W. This field indicates which physical pin on the Intel® ICH7 is connected to the INTD# pin reported for device 31 functions. 0h = PIRQA# 1h = PIRQB# 2h = PIRQC# 3h = PIRQD# (Default) 4h = PIRQE# 5h = PIRQF# 6h = PIRQG# 7h = PIRQH#  <b>NOTE:</b> Ultra Mobile. PIRQA#–PIRQD# are not on the ICH7U. Eventhough the register defaults to a non-ICH7U pin routing, BIOS default sets the register for PIRQE#–PIRQH#.
11	Reserved



Bit	Description
10:8	<p><b>Interrupt C Pin Route (ICR)</b> — R/W. This field indicates which physical pin on the ICH7 is connected to the INTC# pin reported for device 31 functions.</p> <p>0h = PIRQA#            1h = PIRQB#            2h = PIRQC# (Default)            3h = PIRQD#            4h = PIRQE#            5h = PIRQF#            6h = PIRQG#            7h = PIRQH#</p> <p><b>NOTE:</b> PIRQA#–PIRQD# are not on Ultra Mobile. Eventhough the register defaults to a non-ICH7U pin routing, BIOS default sets the register for PIRQE#–PIRQH#.</p>
7	Reserved
6:4	<p><b>Interrupt B Pin Route (IBR)</b> — R/W. This field indicates which physical pin on the Intel® ICH7 is connected to the INTB# pin reported for device 31 functions.</p> <p>0h = PIRQA#            1h = PIRQB# (Default)            2h = PIRQC#            3h = PIRQD#            4h = PIRQE#            5h = PIRQF#            6h = PIRQG#            7h = PIRQH#</p> <p><b>NOTE:</b> PIRQA#–PIRQD# are not on Ultra Mobile. Eventhough the register defaults to a non-ICH7U pin routing, BIOS default sets the register for PIRQE#–PIRQH#.</p>
3	Reserved
2:0	<p><b>Interrupt A Pin Route (IAR)</b> — R/W. This field indicates which physical pin on the ICH7 is connected to the INTA# pin reported for device 31 functions.</p> <p>0h = PIRQA# (Default)            1h = PIRQB#            2h = PIRQC#            3h = PIRQD#            4h = PIRQE#            5h = PIRQF#            6h = PIRQG#            7h = PIRQH#</p> <p><b>NOTE:</b> PIRQA#–PIRQD# are not on Ultra Mobile. Eventhough the register defaults to a non-ICH7U pin routing, BIOS default sets the register for PIRQE#–PIRQH#.</p>





### 7.1.47 D30IR—Device 30 Interrupt Route Register

Offset Address: 3142–3143h  
 Default Value: 3210h

Attribute: R/W  
 Size: 16-bit

Bit	Description
15	Reserved
14:12	<p><b>Interrupt D Pin Route (IDR)</b> — R/W. This field indicates which physical pin on the Intel® ICH7 is connected to the INTD# pin reported for device 30 functions.</p> <p>0h = PIRQA#            1h = PIRQB#            2h = PIRQC#            3h = PIRQD# (Default)            4h = PIRQE#            5h = PIRQF#            6h = PIRQG#            7h = PIRQH#</p> <p>PIRQA#–PIRQD# are not on Ultra Mobile. Eventhough the register defaults to a non-ICH7U pin routing, BIOS default sets the register for PIRQE#–PIRQH#.</p>
11	Reserved
10:8	<p><b>Interrupt C Pin Route (ICR)</b> — R/W. This field indicates which physical pin on the ICH7 is connected to the INTC# pin reported for device 30 functions.</p> <p>0h = PIRQA#            1h = PIRQB#            2h = PIRQC# (Default)            3h = PIRQD#            4h = PIRQE#            5h = PIRQF#            6h = PIRQG#            7h = PIRQH#</p> <p><b>NOTE:</b> PIRQA#–PIRQD# are not on Ultra Mobile. Eventhough the register defaults to a non-ICH7U pin routing, BIOS default sets the register for PIRQE#–PIRQH#.</p>
7	Reserved
6:4	<p><b>Interrupt B Pin Route (IBR)</b> — R/W. This field indicates which physical pin on the ICH7 is connected to the INTB# pin reported for device 30 functions.</p> <p>0h = PIRQA#            1h = PIRQB# (Default)            2h = PIRQC#            3h = PIRQD#            4h = PIRQE#            5h = PIRQF#            6h = PIRQG#            7h = PIRQH#</p> <p><b>NOTE:</b> PIRQA#–PIRQD# are not on Ultra Mobile. Eventhough the register defaults to a non-ICH7U pin routing, BIOS default sets the register for PIRQE#–PIRQH#.</p>
3	Reserved



Bit	Description
2:0	<p><b>Interrupt A Pin Route (IAR)</b> — R/W. This field indicates which physical pin on the ICH7 is connected to the INTA# pin reported for device 30 functions.</p> <p>0h = PIRQA# (Default)            1h = PIRQB#            2h = PIRQC#            3h = PIRQD#            4h = PIRQE#            5h = PIRQF#            6h = PIRQG#            7h = PIRQH#</p> <p><b>NOTE:</b> PIRQA#–PIRQD# are not on Ultra Mobile. Eventhough the register defaults to a non-ICH7U pin routing, BIOS default sets the register for PIRQE#–PIRQH#.</p>

### 7.1.48 D29IR—Device 29 Interrupt Route Register

Offset Address: 3144–3145h                      Attribute: R/W  
 Default Value: 3210h                              Size: 16-bit

Bit	Description
15	Reserved
14:12	<p><b>Interrupt D Pin Route (IDR)</b> — R/W. This field indicates which physical pin on the Intel® ICH7 is connected to the INTD# pin reported for device 29 functions.</p> <p>0h = PIRQA#            1h = PIRQB#            2h = PIRQC#            3h = PIRQD# (Default)            4h = PIRQE#            5h = PIRQF#            6h = PIRQG#            7h = PIRQH#</p> <p><b>NOTE:</b> PIRQA#–PIRQD# are not on Ultra Mobile. Eventhough the register defaults to a non-ICH7U pin routing, BIOS default sets the register for PIRQE#–PIRQH#.</p>
11	Reserved
10:8	<p><b>Interrupt C Pin Route (ICR)</b> — R/W. This field indicates which physical pin on the ICH7 is connected to the INTC# pin reported for device 29 functions.</p> <p>0h = PIRQA#            1h = PIRQB#            2h = PIRQC# (Default)            3h = PIRQD#            4h = PIRQE#            5h = PIRQF#            6h = PIRQG#            7h = PIRQH#</p> <p><b>NOTE:</b> PIRQA#–PIRQD# are not on Ultra Mobile. Eventhough the register defaults to a non-ICH7U pin routing, BIOS default sets the register for PIRQE#–PIRQH#.</p>
7	Reserved



Bit	Description
6:4	<p><b>Interrupt B Pin Route (IBR)</b> — R/W. This field indicates which physical pin on the ICH7 is connected to the INTB# pin reported for device 29 functions.</p> <p>0h = PIRQA#            1h = PIRQB# (Default)            2h = PIRQC#            3h = PIRQD#            4h = PIRQE#            5h = PIRQF#            6h = PIRQG#            7h = PIRQH#</p> <p><b>NOTE:</b> PIRQA#–PIRQD# are not on Ultra Mobile. Eventhough the register defaults to a non-ICH7U pin routing, BIOS default sets the register for PIRQE#–PIRQH#.</p>
3	Reserved
2:0	<p><b>Interrupt A Pin Route (IAR)</b> — R/W. This field indicates which physical pin on the ICH7 is connected to the INTA# pin reported for device 29 functions.</p> <p>0h = PIRQA# (Default)            1h = PIRQB#            2h = PIRQC#            3h = PIRQD#            4h = PIRQE#            5h = PIRQF#            6h = PIRQG#            7h = PIRQH#</p> <p><b>NOTE:</b> PIRQA#–PIRQD# are not on Ultra Mobile. Eventhough the register defaults to a non-ICH7U pin routing, BIOS default sets the register for PIRQE#–PIRQH#.</p>



### 7.1.49 D28IR—Device 28 Interrupt Route Register

Offset Address: 3146–3147h                      Attribute: R/W  
 Default Value: 3210h                              Size: 16-bit

Bit	Description
15	Reserved
14:12	<p><b>Interrupt D Pin Route (IDR)</b> — R/W. This field indicates which physical pin on the Intel® ICH7 is connected to the INTD# pin reported for device 28 functions.</p> <p>0h = PIRQA#            1h = PIRQB#            2h = PIRQC#            3h = PIRQD# (Default)            4h = PIRQE#            5h = PIRQF#            6h = PIRQG#            7h = PIRQH#</p> <p><b>NOTE:</b> PIRQA#–PIRQD# are not on Ultra Mobile. Eventhough the register defaults to a non-ICH7U pin routing, BIOS default sets the register for PIRQE#–PIRQH#.</p>
11	Reserved
10:8	<p><b>Interrupt C Pin Route (ICR)</b> — R/W. This field indicates which physical pin on the ICH7 is connected to the INTC# pin reported for device 28 functions.</p> <p>0h = PIRQA#            1h = PIRQB#            2h = PIRQC# (Default)            3h = PIRQD#            4h = PIRQE#            5h = PIRQF#            6h = PIRQG#            7h = PIRQH#</p> <p><b>NOTE:</b> PIRQA#–PIRQD# are not on Ultra Mobile. Eventhough the register defaults to a non-ICH7U pin routing, BIOS default sets the register for PIRQE#–PIRQH#.</p>
7	Reserved
6:4	<p><b>Interrupt B Pin Route (IBR)</b> — R/W. This field indicates which physical pin on the ICH7 is connected to the INTB# pin reported for device 28 functions.</p> <p>0h = PIRQA#            1h = PIRQB# (Default)            2h = PIRQC#            3h = PIRQD#            4h = PIRQE#            5h = PIRQF#            6h = PIRQG#            7h = PIRQH#</p> <p><b>NOTE:</b> PIRQA#–PIRQD# are not on Ultra Mobile. Eventhough the register defaults to a non-ICH7U pin routing, BIOS default sets the register for PIRQE#–PIRQH#.</p>
3	Reserved



Bit	Description
2:0	<p><b>Interrupt A Pin Route (IAR)</b> — R/W. This field indicates which physical pin on the ICH7 is connected to the INTA# pin reported for device 28 functions.</p> <p>0h = PIRQA# (Default)            1h = PIRQB#            2h = PIRQC#            3h = PIRQD#            4h = PIRQE#            5h = PIRQF#            6h = PIRQG#            7h = PIRQH#</p> <p><b>NOTE:</b> PIRQA#–PIRQD# are not on Ultra Mobile. Eventhough the register defaults to a non-ICH7U pin routing, BIOS default sets the register for PIRQE#–PIRQH#.</p>

### 7.1.50 D27IR—Device 27 Interrupt Route Register

Offset Address: 3148–3149h  
 Default Value: 3210h

Attribute: R/W  
 Size: 16-bit

Bit	Description
15	Reserved
14:12	<p><b>Interrupt D Pin Route (IDR)</b> — R/W. This field indicates which physical pin on the Intel® ICH7 is connected to the INTD# pin reported for device 27 functions.</p> <p>0h = PIRQA#            1h = PIRQB#            2h = PIRQC#            3h = PIRQD# (Default)            4h = PIRQE#            5h = PIRQF#            6h = PIRQG#            7h = PIRQH#</p> <p><b>NOTE:</b> PIRQA#–PIRQD# are not on Ultra Mobile. Eventhough the register defaults to a non-ICH7U pin routing, BIOS default sets the register for PIRQE#–PIRQH#.</p>
11	Reserved
10:8	<p><b>Interrupt C Pin Route (ICR)</b> — R/W. This field indicates which physical pin on the ICH7 is connected to the INTC# pin reported for device 27 functions.</p> <p>0h = PIRQA#            1h = PIRQB#            2h = PIRQC# (Default)            3h = PIRQD#            4h = PIRQE#            5h = PIRQF#            6h = PIRQG#            7h = PIRQH#</p> <p><b>NOTE:</b> PIRQA#–PIRQD# are not on Ultra Mobile. Eventhough the register defaults to a non-ICH7U pin routing, BIOS default sets the register for PIRQE#–PIRQH#.</p>
7	Reserved



Bit	Description
6:4	<p><b>Interrupt B Pin Route (IBR)</b> — R/W. This field indicates which physical pin on the ICH7 is connected to the INTB# pin reported for device 27 functions.</p> <p>0h = PIRQA#            1h = PIRQB# (Default)            2h = PIRQC#            3h = PIRQD#            4h = PIRQE#            5h = PIRQF#            6h = PIRQG#            7h = PIRQH#</p> <p><b>NOTE:</b> PIRQA#–PIRQD# are not on Ultra Mobile. Eventhough the register defaults to a non-ICH7U pin routing, BIOS default sets the register for PIRQE#–PIRQH#.</p>
3	Reserved
2:0	<p><b>Interrupt A Pin Route (IAR)</b> — R/W. This field indicates which physical pin on the ICH7 is connected to the INTA# pin reported for device 27 functions.</p> <p>0h = PIRQA# (Default)            1h = PIRQB#            2h = PIRQC#            3h = PIRQD#            4h = PIRQE#            5h = PIRQF#            6h = PIRQG#            7h = PIRQH#</p> <p><b>NOTE:</b> PIRQA#–PIRQD# are not on Ultra Mobile. Eventhough the register defaults to a non-ICH7U pin routing, BIOS default sets the register for PIRQE#–PIRQH#.</p>

### 7.1.51 OIC—Other Interrupt Control Register

Offset Address: 31FF–31FFh                      Attribute: R/W  
 Default Value: 00h                                Size: 8-bit

Bit	Description
7:2	Reserved
1	<p><b>Coprocessor Error Enable (CEN)</b> — R/W.</p> <p>0 = FERR# will not generate IRQ13 nor IGNNE#.            1 = If FERR# is low, the Intel® ICH7 generates IRQ13 internally and holds it until an I/O port F0h write. It will also drive IGNNE# active.</p>
0	<p><b>APIC Enable (AEN)</b> — R/W.</p> <p>0 = The internal IOxAPIC is disabled.            1 = Enables the internal IOxAPIC and its address decode.</p>



### 7.1.52 RC—RTC Configuration Register

Offset Address: 3400–3403h      Attribute: R/W, R/WLO  
 Default Value: 00000000h      Size: 32-bit

Bit	Description
31:5	Reserved
4	<b>Upper 128 Byte Lock (UL)</b> — R/WLO. 0 = Bytes not locked. 1 = Bytes 38h–3Fh in the upper 128-byte bank of RTC RAM are locked and cannot be accessed. Writes will be dropped and reads will not return valid data. This bit is reset on system reset.
3	<b>Lower 128 Byte Lock (LL)</b> — R/WLO. 0 = Bytes not locked. 1 = Bytes 38h–3Fh in the lower 128-byte bank of RTC RAM are locked and cannot be accessed. Writes will be dropped and reads will not return valid data. Bit reset on system reset.
2	<b>Upper 128 Byte Enable (UE)</b> — R/W. 0 = Bytes locked. 1 = The upper 128-byte bank of RTC RAM can be accessed.
1:0	Reserved

### 7.1.53 HPTC—High Precision Timer Configuration Register

Offset Address: 3404–3407h      Attribute: R/W  
 Default Value: 00000000h      Size: 32-bit

Bit	Description
31:8	Reserved
7	<b>Address Enable (AE)</b> — R/W. 0 = Address disabled. 1 = The Intel® ICH7 will decode the High Precision Timer memory address range selected by bits 1:0 below.
6:2	Reserved
1:0	<b>Address Select (AS)</b> — R/W. This field selects 1 of 4 possible memory address ranges for the High Precision Timer functionality. The encodings are: 00 = FED0_0000h – FED0_03FFh 01 = FED0_1000h – FED0_13FFh 10 = FED0_2000h – FED0_23FFh 11 = FED0_3000h – FED0_33FFh



### 7.1.54 GCS—General Control and Status Register

Offset Address: 3410–3413h Attribute: R/W, R/WLO  
 Default Value: 00000yy0h (yy = xx0000x0b) Size: 32-bit

Bit	Description										
31:12	Reserved										
11:10	<p><b>Boot BIOS Straps (BBS):</b> This field determines the destination of accesses to the BIOS memory range. The default values for these bits represent the strap values of GNT5#/GPIO17 (bit 11) and GNT4#/GPIO48 (bit 10) (active-high logic levels) at the rising edge of PWROK.</p> <table border="1"> <thead> <tr> <th>Bits 11:10</th> <th>Description</th> </tr> </thead> <tbody> <tr> <td>00b</td> <td>Reserved</td> </tr> <tr> <td>01b</td> <td>SPI (supports shared flash with LAN)</td> </tr> <tr> <td>10b</td> <td>PCI</td> </tr> <tr> <td>11b</td> <td>LPC</td> </tr> </tbody> </table> <p>When PCI is selected, the top 16 MB of memory below 4 GB (FF00_0000h to FFFF_FFFFh) is accepted by the primary side of the PCI-to-PCI bridge and forwarded to the PCI bus. This allows systems with corrupted or unprogrammed flash to boot from a PCI device. The PCI-to-PCI bridge Memory Space Enable bit does not need to be set (nor any other bits) for these cycles to go to PCI. Note that BIOS decode range bits and the other BIOS protection bits have no effect when PCI is selected.</p> <p>When SPI or LPC is selected, the range that is decoded is further qualified by other configuration bits described in the respective sections.</p> <p>The value in this field can be overwritten by software as long as the BIOS Interface Lock-Down (bit 0) is not set.</p>	Bits 11:10	Description	00b	Reserved	01b	SPI (supports shared flash with LAN)	10b	PCI	11b	LPC
Bits 11:10	Description										
00b	Reserved										
01b	SPI (supports shared flash with LAN)										
10b	PCI										
11b	LPC										
9	<p><b>Server Error Reporting Mode (SERM) — R/W.</b></p> <p>0 = The Intel® ICH7 is the final target of all errors. The (G)MCH sends a messages to the ICH7 for the purpose of generating NMI.</p> <p>1 = The (G)MCH is the final target of all errors from PCI Express* and DMI. In this mode, if the ICH7 detects a fatal, non-fatal, or correctable error on DMI or its downstream ports, it sends a message to the (G)MCH. If the ICH7 receives an ERR_* message from the downstream port, it sends that message to the (G)MCH.</p>										
8	Reserved										
7 (Mobile/ Ultra Mobile Only)	<p><b>Mobile IDE Configuration Lock Down (MICLD) — R/WLO.</b></p> <p>0 = Disabled.</p> <p>1 = BUC.PRS (offset 3414h, bit 1) is locked and cannot be written until a system reset occurs. This prevents rogue software from changing the default state of the PATA pins during boot after BIOS configures them. This bit is write once, and is cleared by system reset and when returning from the S3/S4/S5 states.</p>										
7 (Desktop Only)	Reserved										
6 (Mobile/ Ultra Mobile Only)	<p><b>FERR# MUX Enable (FME) — R/W.</b> This bit enables FERR# to be a processor break event indication.</p> <p>0 = Disabled.</p> <p>1 = The ICH7-M examines FERR# during a C2, C3, or C4 state as a break event. See <a href="#">Chapter 5.14.5</a> for a functional description.</p>										





Bit	Description
6 (Desktop Only)	Reserved
5	<p><b>No Reboot (NR)</b> — R/W. This bit is set when the “No Reboot” strap (SPKR pin on Intel® ICH7) is sampled high on PWROK. This bit may be set or cleared by software if the strap is sampled low but may not override the strap when it indicates “No Reboot”.</p> <p>0 = System will reboot upon the second timeout of the TCO timer. 1 = The TCO timer will count down and generate the SMI# on the first timeout, but will not reboot on the second timeout.</p>
4	<p><b>Alternate Access Mode Enable (AME)</b> — R/W.</p> <p>0 = Disabled. 1 = Alternate access read only registers can be written, and write only registers can be read. Before entering a low power state, several registers from powered down parts may need to be saved. In the majority of cases, this is not an issue, as registers have read and write paths. However, several of the ISA compatible registers are either read only or write only. To get data out of write-only registers, and to restore data into read-only registers, the ICH7 implements an alternate access mode. For a list of these registers see <a href="#">Section 5.14.10</a>.</p>
3	Reserved.
2	<p><b>Reserved Page Route (RPR)</b> — R/W. This bit determines where to send the reserved page registers. These addresses are sent to PCI or LPC for the purpose of generating POST codes. The I/O addresses modified by this field are: 80h, 84h, 85h, 86h, 88h, 8Ch, 8Dh, and 8Eh.</p> <p>0 = Writes will be forwarded to LPC, shadowed within the ICH7, and reads will be returned from the internal shadow 1 = Writes will be forwarded to PCI, shadowed within the ICH7, and reads will be returned from the internal shadow.</p> <p><b>NOTE:</b> If some writes are completed to LPC/PCI to these I/O ranges, and then this bit is flipped such that writes will now go to the other interface, the reads will not return what was last written. Shadowing is performed on each interface. The aliases for these registers, at 90h, 94h, 95h, 96h, 98h, 9Ch, 9Dh, and 9Eh, are always decoded to LPC.</p>
1	Reserved
0	<p><b>BIOS Interface Lock-Down (BILD)</b> — R/WLO.</p> <p>0 = Disabled. 1 = Prevents BUC.TS (offset 3414, bit 0) and GCS.BBS (offset 3410h, bits 11:10) from being changed. This bit can only be written from 0 to 1 once.</p>



### 7.1.55 BUC—Backed Up Control Register

Offset Address: 3414–3414h Attribute: R/W  
 Default Value: 0000000xb (Desktop Only) Size: 8-bit  
 0000001xb (Mobile/Ultra Mobile Only)

All bits in this register are in the RTC well and only cleared by RTCRST#.

Bit	Description
7:3	Reserved
2	<b>CPU BIST Enable (CBE)</b> — R/W. This bit is in the resume well and is reset by RSMRST#, but not PLTRST# nor CF9h writes. 0 = Disabled. 1 = The INIT# signals will be driven active when CPURST# is active. INIT# and INIT3_3V# will go inactive with the same timings as the other processor I/F signals (hold time after CPURST# inactive).
1 (Mobile/ Ultra Mobile Only)	<b>PATA Reset State (PRS)</b> — R/W. 0 = Disabled. 1 = The reset state of the PATA pins will be driven/tri-state.
1 (Desktop Only)	Reserved
0	<b>Top Swap (TS)</b> — R/W. 0 = Intel® ICH7 will not invert A16. 1 = ICH7 will invert A16 for cycles going to the BIOS space (but not the feature space) in the FWH. If the ICH7 is strapped for Top-Swap (GNT3# is low at rising edge of PWROK), then this bit cannot be cleared by software. The strap jumper should be removed and the system rebooted.



## 7.1.56 FD—Function Disable Register

Offset Address: 3418–341Bh      Attribute: R/W, RO  
 Default Value: See bit description      Size: 32-bit

The UHCI functions must be disabled from highest function number to lowest. For example, if only three UHCIs are wanted, software must disable UHCI #4 (UD4 bit set). When disabling UHCIs, the EHCI Structural Parameters Registers must be updated with coherent information in “Number of Companion Controllers” and “N\_Ports” fields.

When disabling a function, only the configuration space is disabled. Software must ensure that all functionality within a controller that is not desired (such as memory spaces, I/O spaces, and DMA engines) is disabled prior to disabling the function.

When a function is disabled, software must not attempt to re-enable it. A disabled function can only be re-enabled by a platform reset.

Bit	Description
31:22	Reserved
21	<p><b>PCI Express 6 Disable (PE6D)</b> — R/W. When disabled, the link for this port is put into the “link down” state.            0 = PCI Express* port #6 is enabled. (Default)            1 = PCI Express port #6 is disabled.</p> <p><b>NOTE:</b> For ICH7-U Ultra Mobile, this bit must be set to 1.</p>
20	<p><b>PCI Express 5 Disable (PE5D)</b> — R/W. When disabled, the link for this port is put into the link down state.            0 = PCI Express port #5 is enabled. (Default)            1 = PCI Express port #5 is disabled.</p> <p><b>NOTE:</b> For ICH7-U Ultra Mobile, this bit must be set to 1.</p>
19	<p><b>PCI Express 4 Disable (PE4D)</b> — R/W. DWhen disabled, the link for this port is put into the “link down” state.            0 = PCI Express* port #4 is enabled. (Default)            1 = PCI Express port #4 is disabled.</p> <p><b>NOTE:</b> For ICH7-U Ultra Mobile, this bit must be set to 1.</p>
18	<p><b>PCI Express 3 Disable (PE3D)</b> — R/W. When disabled, the link for this port is put into the link down state.            0 = PCI Express port #3 is enabled. (Default)            1 = PCI Express port #3 is disabled.</p> <p><b>NOTE:</b> For ICH7-U Ultra Mobile, this bit must be set to 1.</p>
17	<p><b>PCI Express 2 Disable (PE2D)</b> — R/W. When disabled, the link for this port is put into the link down state.            0 = PCI Express port #2 is enabled. (Default)            1 = PCI Express port #2 is disabled.</p> <p><b>NOTE:</b> For ICH7-U Ultra Mobile, this bit must be set to 1.</p>
16	<p><b>PCI Express 1 Disable (PE1D)</b> — R/W. When disabled, the link for this port is put into the link down state.            0 = PCI Express port #1 is enabled. (Default)            1 = PCI Express port #1 is disabled.</p> <p><b>NOTE:</b> For ICH7-U Ultra Mobile, this bit must be set to 1.</p>



Bit	Description
15	<p><b>EHCI Disable (EHCID)</b> — R/W.</p> <p>0 = The EHCI is enabled. (Default) 1 = The EHCI is disabled.</p>
14	<p><b>LPC Bridge Disable (LBD)</b> — R/W.</p> <p>0 = The LPC bridge is enabled. (Default) 1 = The LPC bridge is disabled. Unlike the other disables in this register, the following additional spaces will no longer be decoded by the LPC bridge:</p> <ul style="list-style-type: none"> <li>• Memory cycles below 16 MB (1000000h)</li> <li>• I/O cycles below 64 KB (10000h)</li> <li>• The Internal I/OxAPIC at FEC0_0000 to FECF_FFFF</li> </ul> <p>Memory cycles in the LPC BIOS range below 4 GB will still be decoded when this bit is set, but the aliases at the top of 1 MB (the E and F segment) no longer will be decoded.</p>
13:12	Reserved
11	<p><b>UHCI #4 Disable (U4D)</b> — R/W.</p> <p>0 = The 4th UHCI (ports 6 and 7) is enabled. (Default) 1 = The 4th UHCI (ports 6 and 7) is disabled.</p>
10	<p><b>UHCI #3 Disable (U3D)</b> — R/W.</p> <p>0 = The 3rd UHCI (ports 4 and 5) is enabled. (Default) 1 = The 3rd UHCI (ports 4 and 5) is disabled.</p>
9	<p><b>UHCI #2 Disable (U2D)</b> — R/W.</p> <p>0 = The 2nd UHCI (ports 2 and 3) is enabled. (Default) 1 = The 2nd UHCI (ports 2 and 3) is disabled.</p>
8	<p><b>UHCI #1 Disable (U1D)</b> — R/W.</p> <p>0 = The 1st UHCI (ports 0 and 1) is enabled. (Default) 1 = The 1st UHCI (ports 0 and 1) is disabled.</p>
7	<p><b>Hide Internal LAN (HIL)</b> — R/W.</p> <p>0 = The LAN controller is enabled. (Default) 1 = The LAN controller is disabled and will not decode configuration cycles off of PCI</p> <p><b>NOTE:</b> For ICH7-U Ultra Mobile, this bit must be set to 1. .</p>
6	<p><b>AC '97 Modem Disable (AMD)</b> — R/W.</p> <p>0 = The AC '97 modem function is enabled. (Default) 1 = The AC '97 modem function is disabled.</p> <p><b>NOTE:</b> For ICH7-U Ultra Mobile, this bit must be set to 1.</p>
5	<p><b>AC '97 Audio Disable (AAD)</b> — R/W.</p> <p>0 = The AC '97 audio function is enabled. (Default) 1 = The AC '97 audio function is disabled.</p> <p><b>NOTE:</b> For ICH7-U Ultra Mobile, this bit must be set to 1.</p>
4	<p><b>Intel® High Definition Audio Disable (ZD)</b> — R/W.</p> <p>0 = The Intel High Definition Audio controller is enabled. (Default) 1 = The Intel High Definition Audio controller is disabled and its PCI configuration space is not accessible.</p>
3	<p><b>SM Bus Disable (SD)</b> — R/W.</p> <p>0 = The SM Bus controller is enabled. (Default) 1 = The SM Bus controller is disabled. In ICH5 and previous, this also disabled the I/O space. In the Intel® ICH7, it only disables the configuration space.</p>



Bit	Description
2	<p><b>Serial ATA Disable (SAD)</b> — R/W. Default is 0.            0 = The SATA controller is enabled.            1 = The SATA controller is disabled.</p> <p><b>NOTE:</b> For ICH7-U Ultra Mobile, this bit must be set to 1.</p>
1	<p><b>Parallel ATA Disable (PAD)</b> — R/W.            0 = The PATA controller is enabled. (Default)            1 = The PATA controller is disabled and its PCI configuration space is not accessible.</p>
0	Reserved

### 7.1.57 CG—Clock Gating (Mobile/Ultra Mobile Only)

Offset Address: 341C–341Fh                      Attribute: R/W, RO  
 Default Value: 00000000h                      Size: 32-bit

Bit	Description
31	<p><b>Legacy (LPC) Dynamic Clock Gate Enable</b> — R/W.            0 = Legacy Dynamic Clock Gating is Disabled            1 = Legacy Dynamic Clock Gating is Enabled</p>
30	<p><b>PATA Dynamic Clock Gate Enable</b> — R/W.            0 = PATA Dynamic Clock Gating is Disabled            1 = PATA Dynamic Clock Gating is Enabled</p>
29:28	<p><b>USB UHCI Dynamic Clock Gate Enable</b> — R/W.            0 = USB UHCI Dynamic Clock Gating is Disabled            1 = USB UHCI Dynamic Clock Gating is Enabled            0 = Reserved            1 = Reserved</p>
27	<p><b>SATA Port 3 Dynamic Clock Gate Enable</b> — R/W.            0 = SATA Port 3 Dynamic Clock Gating is Disabled            1 = SATA Port 3 Dynamic Clock Gating is Enabled</p> <p><b>NOTE:</b> For ICH7-U Ultra Mobile, this bit must be set to 0.</p>
26	<p><b>SATA Port 2 Dynamic Clock Gate Enable</b> — R/W.            0 = SATA Port 2 Dynamic Clock Gating is Disabled            1 = SATA Port 2 Dynamic Clock Gating is Enabled</p> <p><b>NOTE:</b> For ICH7-U Ultra Mobile, this bit must be set to 0.</p>
25	<p><b>SATA Port 1 Dynamic Clock Gate Enable</b> — R/W.            0 = SATA Port 1 Dynamic Clock Gating is Disabled            1 = SATA Port 1 Dynamic Clock Gating is Enabled</p> <p><b>NOTE:</b> For ICH7-U Ultra Mobile, this bit must be set to 0.</p>
24	<p><b>SATA Port 0 Dynamic Clock Gate Enable</b> — R/W.            0 = SATA Port 0 Dynamic Clock Gating is Disabled            1 = SATA Port 0 Dynamic Clock Gating is Enabled</p> <p><b>NOTE:</b> For ICH7-U Ultra Mobile, this bit must be set to 0.</p>



Bit	Description
23	<p><b>AC '97 Static Clock Gate Enable</b> — R/W.            0 = AC '97 Static Clock Gating is Disabled            1 = AC '97 Static Clock Gating is Enabled</p> <p><b>NOTE:</b> For ICH7-U Ultra Mobile, this bit must be set to 0.</p>
27:23	Reserved
22	<p><b>High Definition Audio Dynamic Clock Gate Enable</b> — R/W.            0 = High Definition Audio Dynamic Clock Gating is Disabled            1 = High Definition Audio Dynamic Clock Gating is Enabled</p>
21	<p><b>High Definition Audio Static Clock Gate Enable</b> — R/W.            0 = High Definition Audio Static Clock Gating is Disabled            1 = High Definition Audio Static Clock Gating is Enabled</p>
20	<p><b>USB EHCI Static Clock Gate Enable</b> — R/W.            0 = USB EHCI Static Clock Gating is Disabled            1 = USB EHCI Static Clock Gating is Enabled</p>
19	<p><b>USB EHCI Dynamic Clock Gate Enable</b> — R/W.            0 = USB EHCI Dynamic Clock Gating is Disabled            1 = USB EHCI Dynamic Clock Gating is Enabled</p>
18:17	Reserved
16	<p><b>PCI Dynamic Gate Enable</b> — R/W. Functionality reserved. BIOS must ensure bit is 0.</p>
15:4	Reserved
3	<p><b>DMI and PCI Express* RX Dynamic Clock Gate Enable</b> — R/W.            0 = DMI and PCI Express root port RX Dynamic Clock Gating is Disabled            1 = DMI and PCI Express root port RX Dynamic Clock Gating is Enabled</p>
2	<p><b>PCI Express TX Dynamic Clock Gate Enable</b> — R/W.            0 = PCI Express root port TX Dynamic Clock Gating is Disabled            1 = PCI Express root port TX Dynamic Clock Gating is Enabled</p> <p><b>NOTE:</b> For ICH7-U Ultra Mobile, this bit must be set to 0.</p>
1	<p><b>DMI TX Dynamic Clock Gate Enable</b> — R/W.            0 = DMI TX Dynamic Clock Gating is Disabled            1 = DMI TX Dynamic Clock Gating is Enabled</p>
0	<p><b>PCI Express Root Port Static Clock Gate Enable</b> — R/W.            0 = PCI Express root port Static Clock Gating is Disabled            1 = PCI Express root port Static Clock Gating is Enabled</p> <p><b>NOTE:</b> For ICH7-U Ultra Mobile, this bit must be set to 0.</p>

§



## 8 LAN Controller Registers (B1:D8:F0) (Desktop and Mobile Only)

**Note:** LAN is not supported on ICH7-U Ultra Mobile.

The ICH7 integrated LAN controller appears to reside at PCI Device 8, Function 0 on the secondary side of the ICH7's virtual PCI-to-PCI bridge. This is typically Bus 1, but may be assigned a different number depending upon system configuration. The LAN controller acts as both a master and a slave on the PCI bus. As a master, the LAN controller interacts with the system main memory to access data for transmission or deposit received data. As a slave, some of the LAN controller's control structures are accessed by the host processor to read or write information to the on-chip registers. The processor also provides the LAN controller with the necessary commands and pointers that allow it to process receive and transmit data.

### 8.1 PCI Configuration Registers (LAN Controller—B1:D8:F0)

**Note:** Address locations that are not shown should be treated as Reserved (See Section 6.2 for details).

**Table 8-1. LAN Controller PCI Register Address Map (LAN Controller—B1:D8:F0) (Sheet 1 of 2)**

Offset	Mnemonic	Register Name	Default	Type
00h–01h	VID	Vendor Identification	8086h	RO
02h–03h	DID	Device Identification	See register description.	RO
04h–05h	PCICMD	PCI Command	0000h	RO, R/W
06h–07h	PCISTS	PCI Status	0290h	RO, R/WC
08h	RID	Revision Identification	See register description.	RO
0Ah	SCC	Sub Class Code	00h	RO
0Bh	BCC	Base Class Code	02	RO
0Ch	CLS	Cache Line Size	00h	R/W
0Dh	PMLT	Primary Master Latency Timer	00h	R/W
0Eh	HEADTYP	Header Type	00h	RO
10h–13h	CSR_MEM_BASE	CSR Memory-Mapped Base Address	00000008h	R/W, RO
14h–17h	CSR_IO_BASE	CSR I/O-Mapped Base Address	00000001h	R/W, RO
2Ch–2Dh	SVID	Subsystem Vendor Identification	0000h	RO
2Eh–2Fh	SID	Subsystem Identification	0000h	RO
34h	CAP_PTR	Capabilities Pointer	DCh	RO
3Ch	INT_LN	Interrupt Line	00h	R/W
3Dh	INT_PN	Interrupt Pin	01h	RO
3Eh	MIN_GNT	Minimum Grant	08h	RO







### 8.1.3 PCICMD—PCI Command Register (LAN Controller—B1:D8:F0)

Offset Address: 04h–05h  
Default Value: 0000h

Attribute: RO, R/W  
Size: 16 bits

Bit	Description
15:11	Reserved
10	<b>Interrupt Disable</b> — R/W. 0 = Enable. 1 = Disables LAN controller to assert its INTA signal.
9	Fast Back to Back Enable (FBE) — RO. Hardwired to 0. The integrated LAN controller will not run fast back-to-back PCI cycles.
8	<b>SERR# Enable (SERR_EN)</b> — R/W. 0 = Disable. 1 = Enable. Allow SERR# to be asserted.
7	Wait Cycle Control (WCC) — RO. Hardwired to 0. Not implemented.
6	<b>Parity Error Response (PER)</b> — R/W. 0 = The LAN controller will ignore PCI parity errors. 1 = The integrated LAN controller will take normal action when a PCI parity error is detected and will enable generation of parity on DMI.
5	VGA Palette Snoop (VPS) — RO. Hardwired to 0. Not Implemented.
4	<b>Memory Write and Invalidate Enable (MWIE)</b> — R/W. 0 = Disable. The LAN controller will not use the Memory Write and Invalidate command. 1 = Enable.
3	Special Cycle Enable (SCE) — RO. Hardwired to 0. The LAN controller ignores special cycles.
2	<b>Bus Master Enable (BME)</b> — R/W. 0 = Disable. 1 = Enable. The Intel® ICH7's integrated LAN controller may function as a PCI bus master.
1	<b>Memory Space Enable (MSE)</b> — R/W. 0 = Disable. 1 = Enable. The ICH7's integrated LAN controller will respond to the memory space accesses.
0	<b>I/O Space Enable (IOSE)</b> — R/W. 0 = Disable. 1 = Enable. The ICH7's integrated LAN controller will respond to the I/O space accesses.























## 8.2 LAN Control / Status Registers (CSR) (LAN Controller—B1:D8:F0)

Table 8-4. Intel® ICH7 Integrated LAN Controller CSR Space Register Address Map

Offset	Mnemonic	Register Name	Default	Type
00h–01h	SCB_STA	System Control Block Status Word	0000h	R/WC, RO
02h–03h	SCB_CMD	System Control Block Command Word	0000h	R/W, WO
04h–07h	SCB_GENPNT	System Control Block General Pointer	0000 0000h	R/W
08h–0Bh	Port	PORT Interface	0000 0000h	R/W (special)
0Ch–0Dh	—	Reserved	—	—
0Eh	EEPROM_CNTL	EEPROM Control	00	R/W, RO, WO
0Fh	—	Reserved	—	—
10h–13h	MDI_CNTL	Management Data Interface Control	0000 0000h	R/W (special)
14h–17h	REC_DMA_BC	Receive DMA Byte Count	0000 0000h	RO
18h	EREC_INTR	Early Receive Interrupt	00h	R/W
19–1Ah	FLOW_CNTL	Flow Control	0000h	RO, R/W (special)
1Bh	PMDR	Power Management Driver	00h	R/WC
1Ch	GENCNTL	General Control	00h	R/W
1Dh	GENSTA	General Status	00h	RO
1Eh	—	Reserved	—	—
1Fh	SMB_PCI	SMB via PCI	27h	R/W
20h–3Ch	—	Reserved	—	—







Bit	Description
9	<p><b>Software Generated Interrupt (SI)</b> — WO.</p> <p>0 = No Effect. 1 = Setting this bit causes the LAN controller to generate an interrupt.</p>
8	<p><b>Interrupt Mask (IM)</b> — R/W. This bit enables or disables the LAN controller's assertion of the INTA# signal. This bit has higher precedence than the Specific Interrupt Mask bits and the SI bit.</p> <p>0 = Enable the assertion of INTA#. 1 = Disable the assertion of INTA#.</p>
7:4	<p><b>Command Unit Command (CUC)</b> — R/W. Valid values are listed below. All other values are Reserved.</p> <p>0000 = <b>NOP</b>: Does not affect the current state of the unit.</p> <p>0001 = <b>CU Start</b>: Start execution of the first command on the CBL. A pointer to the first CB of the CBL should be placed in the SCB General Pointer before issuing this command. The CU Start command should only be issued when the CU is in the Idle or Suspended states (not when the CU is in the active state), and all of the previously issued Command Blocks have been processed and completed by the CU. Sometimes it is only possible to determine that all Command Blocks are completed by checking that the Complete bit is set in all previously issued Command Blocks.</p> <p>0010 = <b>CU Resume</b>: Resume operation of the Command unit by executing the next command. This command will be ignored if the CU is idle.</p> <p>0011 = <b>CU HPQ Start</b>: Start execution of the first command on the high priority CBL. A pointer to the first CB of the HPQ CBL should be placed in the SCB General Pointer before issuing this command.</p> <p>0100 = <b>Load Dump Counters Address</b>: Indicates to the device where to write dump data when using the Dump Statistical Counters or Dump and Reset Statistical Counters commands. This command must be executed at least once before any usage of the Dump Statistical Counters or Dump and Reset Statistical Counters commands. The address of the dump area must be placed in the General Pointer register.</p> <p>0101 = <b>Dump Statistical Counters</b>: Tells the device to dump its statistical counters to the area designated by the Load Dump Counters Address command.</p> <p>0110 = <b>Load CU Base</b>: The device's internal CU Base Register is loaded with the value in the CSB General Pointer.</p> <p>0111 = <b>Dump and Reset Statistical Counters</b>: Indicates to the device to dump its statistical counters to the area designated by the Load Dump Counters Address command, and then to clear these counters.</p> <p>1010 = <b>CU Static Resume</b>: Resume operation of the Command unit by executing the next command. This command will be ignored if the CU is idle. This command should be used only when the CU is in the Suspended state and has no pending CU Resume commands.</p> <p>1011 = <b>CU HPQ Resume</b>: Resume execution of the first command on the HPQ CBL. this command will be ignored if the HPQ was not started.</p>
3	Reserved



Bit	Description
2:0	<p><b>Receive Unit Command (RUC)</b> — R/W. Valid values are:</p> <p>000 = <b>NOP</b>: Does not affect the current state of the unit.</p> <p>001 = <b>RU Start</b>: Enables the receive unit. The pointer to the RFA must be placed in the SCB General Pointer before using this command. The device pre-fetches the first RFD and the first RBD (if in flexible mode) in preparation to receive incoming frames that pass its address filtering.</p> <p>010 = <b>RU Resume</b>: Resume frame reception (only when in suspended state).</p> <p>011 = <b>RCV DMA Redirect</b>: Resume the RCV DMA when configured to “Direct DMA Mode.” The buffers are indicated by an RBD chain which is pointed to by an offset stored in the General Pointer Register (this offset will be added to the RU Base).</p> <p>100 = <b>RU Abort</b>: Abort RU receive operation immediately.</p> <p>101 = <b>Load Header Data Size (HDS)</b>: This value defines the size of the Header portion of the RFDs or Receive buffers. The HDS value is defined by the lower 14 bits of the SCB General Pointer, so bits 31:15 should always be set to 0’s when using this command. Once a Load HDS command is issued, the device expects only to find Header RFDs, or be used in “RCV Direct DMA mode” until it is reset. Note that the value of HDS should be an even, non-zero number.</p> <p>110 = <b>Load RU Base</b>: The device’s internal RU Base Register is loaded with the value in the SCB General Pointer.</p> <p>111 = <b>RBD Resume</b>: Resume frame reception into the RFA. This command should only be used when the RU is already in the “No Resources due to no RBDs” state or the “Suspended with no more RBDs” state.</p>

### 8.2.3 SCB\_GENPNT—System Control Block General Pointer Register (LAN Controller—B1:D8:F0)

Offset Address: 04h–07h                      Attribute: R/W  
 Default Value: 0000 0000h                  Size: 32 bits

Bit	Description
15:0	<p><b>SCB General Pointer</b> — R/W. The SCB General Pointer register is programmed by software to point to various data structures in main memory depending on the current SCB Command word.</p>

### 8.2.4 PORT—PORT Interface Register (LAN Controller—B1:D8:F0)

Offset Address: 08h–0Bh                      Attribute: R/W (special)  
 Default Value: 0000 0000h                  Size: 32 bits

The PORT interface allows the processor to reset the ICH7’s internal LAN controller, or perform an internal self test. The PORT DWord may be written as a 32-bit entity, two 16-bit entities, or four 8-bit entities. The LAN controller will only accept the command after the high byte (offset 0Bh) is written; therefore, the high byte must be written last.



Bit	Description
31:4	<b>Pointer Field (PORT_PTR)</b> — R/W (special). A 16-byte aligned address must be written to this field when issuing a Self-Test command to the PORT interface. The results of the Self Test will be written to the address specified by this field.
3:0	<p><b>PORT Function Selection (PORT_FUNC)</b> — R/W (special). Valid values are listed below. All other values are reserved.</p> <p>0000 = <b>PORT Software Reset</b>: Completely resets the LAN controller (all CSR and PCI registers). This command should not be used when the device is active. If a PORT Software Reset is desired, software should do a Selective Reset (described below), wait for the PORT register to be cleared (completion of the Selective Reset), and then issue the PORT Software Reset command. Software should wait approximately 10 μs after issuing this command before attempting to access the LAN controller's registers again.</p> <p>0001 = <b>Self Test</b>: The Self-Test begins by issuing an internal Selective Reset followed by a general internal self-test of the LAN controller. The results of the self-test are written to memory at the address specified in the Pointer field of this register. The format of the self-test result is shown in <a href="#">Table 8-5</a>. After completing the self-test and writing the results to memory, the LAN controller will execute a full internal reset and will re-initialize to the default configuration. Self-Test does not generate an interrupt of similar indicator to the host processor upon completion.</p> <p>0010 = <b>Selective Reset</b>: Sets the CU and RU to the Idle state, but otherwise maintains the current configuration parameters (RU and CU Base, HDSSize, Error Counters, Configure information and Individual/Multicast Addresses are preserved). Software should wait approximately 10 μs after issuing this command before attempting to access the LAN controller's registers again.</p>

Table 8-5. Self-Test Results Format

Bit	Description
31:13	Reserved
12	<b>General Self-Test Result (SELF_TST)</b> — R/W (special). 0 = Pass 1 = Fail
11:6	Reserved
5	<b>Diagnose Result (DIAG_RSLT)</b> — R/W (special). This bit provides the result of an internal diagnostic test of the Serial Subsystem. 0 = Pass 1 = Fail
4	Reserved
3	<b>Register Result (REG_RSLT)</b> — R/W (special). This bit provides the result of a test of the internal Parallel Subsystem registers. 0 = Pass 1 = Fail
2	<b>ROM Content Result (ROM_RSLT)</b> — R/W (special). This bit provides the result of a test of the internal microcode ROM. 0 = Pass 1 = Fail
1:0	Reserved







### 8.2.6 MDI\_CNTL—Management Data Interface (MDI) Control Register (LAN Controller—B1:D8:F0)

Offset Address: 10h–13h                      Attribute: R/W (special)  
 Default Value: 0000 0000h                  Size: 32 bits

The Management Data Interface (MDI) Control register is a 32-bit field and is used to read and write bits from the LAN Connect component. This register may be written as a 32-bit entity, two 16-bit entities, or four 8-bit entities. The LAN controller will only accept the command after the high byte (offset 13h) is written; therefore, the high byte must be written last.

Bit	Description
31:30	These bits are reserved and should be set to 00b.
29	<b>Interrupt Enable</b> — R/W (special). 0 = Disable. 1 = Enables the LAN controller to assert an interrupt to indicate the end of an MDI cycle.
28	<b>Ready</b> — R/W (special). 0 = Expected to be reset by software at the same time the command is written. 1 = Set by the LAN controller at the end of an MDI transaction.
27:26	<b>Opcode</b> — R/W (special). These bits define the opcode: 00 = Reserved 01 = MDI write 10 = MDI read 11 = Reserved
25:21	<b>LAN Connect Address</b> — R/W (special). This field of bits contains the LAN Connect address.
20:16	<b>LAN Connect Register Address</b> — R/W (special). This field contains the LAN Connect Register Address.
15:0	<b>Data</b> — R/W (special). In a write command, software places the data bits in this field, and the LAN controller transfers the data to the external LAN Connect component. During a read command, the LAN controller reads these bits serially from the LAN Connect, and software reads the data from this location.

### 8.2.7 REC\_DMA\_BC—Receive DMA Byte Count Register (LAN Controller—B1:D8:F0)

Offset Address: 14h–17h                      Attribute: RO  
 Default Value: 0000 0000h                  Size: 32 bits

Bit	Description
31:0	<b>Receive DMA Byte Count</b> — RO. This field keeps track of how many bytes of receive data have been passed into host memory via DMA.











## 8.2.14 Statistical Counters (LAN Controller—B1:D8:F0)

The ICH7's integrated LAN controller provides information for network management statistics by providing on-chip statistical counters that count a variety of events associated with both transmit and receive. The counters are updated by the LAN controller when it completes the processing of a frame (that is, when it has completed transmitting a frame on the link or when it has completed receiving a frame). The Statistical Counters are reported to the software on demand by issuing the Dump Statistical Counters command or Dump and Reset Statistical Counters command in the SCB Command Unit Command (CUC) field.

**Table 8-6. Statistical Counters (Sheet 1 of 2)**

ID	Counter	Description
0	Transmit Good Frames	This counter contains the number of frames that were transmitted properly on the link. It is updated only after the actual transmission on the link is completed, not when the frame was read from memory as is done for the Transmit Command Block status.
4	Transmit Maximum Collisions (MAXCOL) Errors	This counter contains the number of frames that were not transmitted because they encountered the configured maximum number of collisions.
8	Transmit Late Collisions (LATECOL) Errors	This counter contains the number of frames that were not transmitted since they encountered a collision later than the configured slot time.
12	Transmit Underrun Errors	A transmit underrun occurs because the system bus cannot keep up with the transmission. This counter contains the number of frames that were either not transmitted or retransmitted due to a transmit DMA underrun. If the LAN controller is configured to retransmit on underrun, this counter may be updated multiple times for a single frame.
16	Transmit Lost Carrier Sense (CRS)	This counter contains the number of frames that were transmitted by the LAN controller despite the fact that it detected the de-assertion of CRS during the transmission.
20	Transmit Deferred	This counter contains the number of frames that were deferred before transmission due to activity on the link.
24	Transmit Single Collisions	This counter contains the number of transmitted frames that encountered one collision.
28	Transmit Multiple Collisions	This counter contains the number of transmitted frames that encountered more than one collision.
32	Transmit Total Collisions	This counter contains the total number of collisions that were encountered while attempting to transmit. This count includes late collisions and frames that encountered MAXCOL.
36	Receive Good Frames	This counter contains the number of frames that were received properly from the link. It is updated only after the actual reception from the link is completed and all the data bytes are stored in memory.
40	Receive CRC Errors	This counter contains the number of aligned frames discarded because of a CRC error. This counter is updated, if needed, regardless of the Receive Unit state. The Receive CRC Errors counter is mutually exclusive of the Receive Alignment Errors and Receive Short Frame Errors counters.



Table 8-6. Statistical Counters (Sheet 2 of 2)

ID	Counter	Description
44	Receive Alignment Errors	This counter contains the number of frames that are both misaligned (for example, CRS de-asserts on a non-octal boundary) and contain a CRC error. The counter is updated, if needed, regardless of the Receive Unit state. The Receive Alignment Errors counter is mutually exclusive of the Receive CRC Errors and Receive Short Frame Errors counters.
48	Receive Resource Errors	This counter contains the number of good frames discarded due to unavailability of resources. Frames intended for a host whose Receive Unit is in the No Resources state fall into this category. If the LAN controller is configured to Save Bad Frames and the status of the received frame indicates that it is a bad frame, the Receive Resource Errors counter is not updated.
52	Receive Overrun Errors	This counter contains the number of frames known to be lost because the local system bus was not available. If the traffic problem persists for more than one frame, the frames that follow the first are also lost; however, because there is no lost frame indicator, they are not counted.
56	Receive Collision Detect (CDT)	This counter contains the number of frames that encountered collisions during frame reception.
60	Receive Short Frame Errors	This counter contains the number of received frames that are shorter than the minimum frame length. The Receive Short Frame Errors counter is mutually exclusive to the Receive Alignment Errors and Receive CRC Errors counters. A short frame will always increment only the Receive Short Frame Errors counter.
64	Flow Control Transmit Pause	This counter contains the number of Flow Control frames transmitted by the LAN controller. This count includes both the Xoff frames transmitted and Xon (PAUSE(0)) frames transmitted.
68	Flow Control Receive Pause	This counter contains the number of Flow Control frames received by the LAN controller. This count includes both the Xoff frames received and Xon (PAUSE(0)) frames received.
72	Flow Control Receive Unsupported	This counter contains the number of MAC Control frames received by the LAN controller that are not Flow Control Pause frames. These frames are valid MAC control frames that have the predefined MAC control Type value and a valid address but has an unsupported opcode.
76	Receive TCO Frames	This counter contains the number of TCO packets received by the LAN controller.
78	Transmit TCO Frames	This counter contains the number of TCO packets transmitted.

The Statistical Counters are initially set to 0 by the ICH7's integrated LAN controller after reset. They cannot be preset to anything other than 0. The LAN controller increments the counters by internally reading them, incrementing them and writing them back. This process is invisible to the processor and PCI bus. In addition, the counters adhere to the following rules:

- The counters are wrap-around counters. After reaching FFFFFFFFh the counters wrap around to 0.
- The LAN controller updates the required counters for each frame. It is possible for more than one counter to be updated as multiple errors can occur in a single frame.
- The counters are 32 bits wide and their behavior is fully compatible with the IEEE 802.1 standard. The LAN controller supports all mandatory and recommend





statistics functions through the status of the receive header and directly through these Statistical Counters.

The processor can access the counters by issuing a Dump Statistical Counters SCB command. This provides a “snapshot”, in main memory, of the internal LAN controller statistical counters. The LAN controller supports 21 counters. The dump could consist of the either 16, 19, or all 21 counters, depending on the status of the Extended Statistics Counters and TCO Statistics configuration bits in the Configuration command.

### 8.3 ASF Configuration Registers (LAN Controller—B1:D8:F0)

The ASF registers in this table are accessible through the ICH7 SMBus slave interface.

**Table 8-7. ASF Register Address Map**

Offset	Mnemonic	Register Name	Default	Type
E0h	ASF_RID	ASF Revision Identification	ECh	RO
E1h	SMB_CNTL	SMBus Control	40h	R/W
E2h	ASF_CNTL	ASF Control	00h	R/W, RO
E3h	ASF_CNTL_EN	ASF Control Enable	00h	R/W
E4h	ENABLE	Enable	00h	R/W
E5h	APM	APM	08h	R/W
E6h–E7h	—	Reserved	—	—
E8h	WTIM_CONF	Watchdog Timer Configuration	00h	R/W
E9h	HEART_TIM	Heartbeat Timer	02h	R/W
EAh	RETRAN_INT	Retransmission Interval	02h	R/W
EBh	RETRAN_PCL	Retransmission Packet Count Limit	03h	R/W
ECh	ASF_WTIM1	ASF Watchdog Timer 1	01h	R/W
EDh	ASF_WTIM2	ASF Watchdog Timer 2	00h	R/W
F0h	PET_SEQ1	PET Sequence 1	00h	R/W
F1h	PET_SEQ2	PET Sequence 2	00h	R/W
F2h	STA	Status	40h	R/W
F3h	FOR_ACT	Forced Actions	02h	R/W
F4h	RMCP_SNUM	RMCP Sequence Number	00h	R/W
F5h	SP_MODE	Special Modes	x0h	R/WC, RO
F6h	INPOLL_TCONF	Inter-Poll Timer Configuration	10h	R/W
F7h	PHIST_CLR	Poll History Clear	00h	R/WC
F8h	PMSK1	Polling Mask 1	XXh	R/W
F9h	PMSK2	Polling Mask 2	XXh	R/W
FAh	PMSK3	Polling Mask 3	XXh	R/W
FBh	PMSK4	Polling Mask 4	XXh	R/W
FCh	PMSK5	Polling Mask 5	XXh	R/W
FDh	PMSK6	Polling Mask 6	XXh	R/W
FEh	PMSK7	Polling Mask 7	XXh	R/W
FFh	PMSK8	Polling Mask 8	XXh	R/W





































## 9 PCI-to-PCI Bridge Registers (D30:F0)

The ICH7 PCI bridge resides in PCI Device 30, Function 0 on bus #0. This implements the buffering and control logic between PCI and the backbone. The arbitration for the PCI bus is handled by this PCI device.

### 9.1 PCI Configuration Registers (D30:F0)

**Note:** Address locations that are not shown should be treated as Reserved (see [Section 6.2](#) for details).

**Table 9-1. PCI Bridge Register Address Map (PCI-PCI—D30:F0)**

Offset	Mnemonic	Register Name	Default	Type
00h–01h	VID	Vendor Identification	8086h	RO
02h–03h	DID	Device Identification	See register description	RO
04h–05h	PCICMD	PCI Command	0000h	R/W, RO
06h–07h	PSTS	PCI Status	0010h	R/WC, RO
08h	RID	Revision Identification	See register description	RO
09h–0Bh	CC	Class Code	00060401h	RO
0Dh	PMLT	Primary Master Latency Timer	00h	RO
0Eh	HEADTYP	Header Type	81h	RO
18h–1Ah	BNUM	Bus Number	000000h	R/W, RO
1Bh	SMLT	Secondary Master Latency Timer	00h	R/W, RO
1Ch–1Dh	IOBASE_LIMIT	I/O Base and Limit	0000h	R/W, RO
1Eh–1Fh	SECSTS	Secondary Status	0280h	R/WC, RO
20h–23h	MEMBASE_LIMIT	Memory Base and Limit	00000000h	R/W, RO
24h–27h	PREF_MEM_BASE_LIMIT	Prefetchable Memory Base and Limit	00010001h	R/W, RO
28h–2Bh	PMBU32	Prefetchable Memory Upper 32 Bits	00000000h	R/W
2Ch–2Fh	PMLU32	Prefetchable Memory Limit Upper 32 Bits	00000000h	R/W
34h	CAPP	Capability List Pointer	50h	RO
3Ch–3Dh	INTR	Interrupt Information	0000h	R/W, RO
3Eh–3Fh	BCTRL	Bridge Control	0000h	R/WC, RO
40h–41h	SPDH	Secondary PCI Device Hiding	00h	R/W, RO
44h–47h	DTC	Delayed Transaction Control	00000000h	R/W, RO
48h–4Bh	BPS	Bridge Proprietary Status	00000000h	R/WC, RO
4Ch–4Fh	BPC	Bridge Policy Configuration	00001200h	R/W, RO
50–51h	SVCAP	Subsystem Vendor Capability Pointer	000Dh	RO
54h–57h	SVID	Subsystem Vendor IDs	00000000	R/WO



### 9.1.1 VID— Vendor Identification Register (PCI-PCI—D30:F0)

Offset Address: 00h–01h                      Attribute: RO  
 Default Value: 8086h                      Size: 16 bits

Bit	Description
15:0	Vendor ID — RO. This is a 16-bit value assigned to Intel. Intel VID = 8086h.

### 9.1.2 DID— Device Identification Register (PCI-PCI—D30:F0)

Offset Address: 02h–03h                      Attribute: RO  
 Default Value: See bit description                      Size: 16 bits

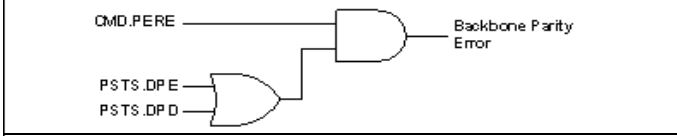
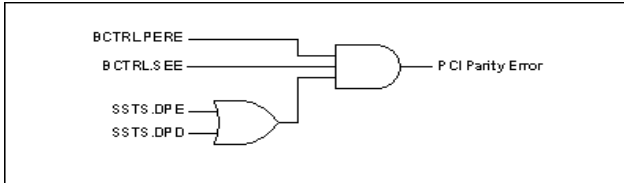
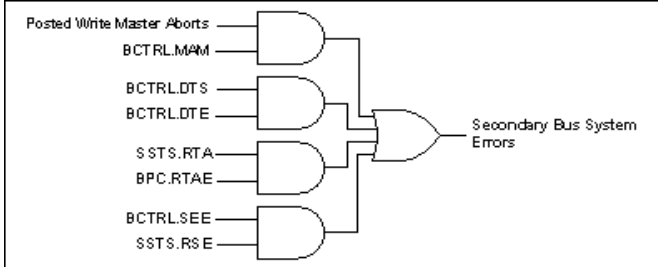
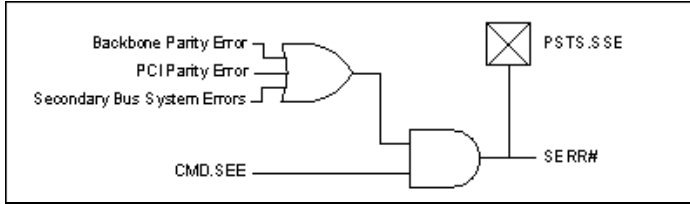
Bit	Description
15:0	Device ID — RO. This is a 16-bit value assigned to the PCI bridge. Refer to the Intel® I/O Controller Hub 7 (ICH7) Family Specification Update for the value of the Device ID Register.

### 9.1.3 PCICMD—PCI Command (PCI-PCI—D30:F0)

Offset Address: 04h–05h                      Attribute: R/W, RO  
 Default Value: 0000h                      Size: 16 bits

Bit	Description
15:11	Reserved
10	Interrupt Disable (ID) — RO. Hardwired to 0. The PCI bridge has no interrupts to disable
9	Fast Back to Back Enable (FBE) — RO. Hardwired to 0, per the <i>PCI Express* Base Specification, Revision 1.0a</i> .
8	<b>SERR# Enable (SERR_EN)</b> — R/W. 0 = Disable. 1 = Enable the Intel® ICH7 to generate an NMI (or SMI# if NMI routed to SMI#) when the D30:F0 SSE bit (offset 06h, bit 14) is set.
7	Wait Cycle Control (WCC) — RO. Hardwired to 0, per the <i>PCI Express* Base Specification, Revision 1.0a</i> .
6	<b>Parity Error Response (PER)</b> — R/W. 0 = The ICH7 ignores parity errors on the PCI bridge. 1 = The ICH7 will set the SSE bit (D30:F0, offset 06h, bit 14) when parity errors are detected on the PCI bridge.
5	VGA Palette Snoop (VPS) — RO. Hardwired to 0, per the <i>PCI Express* Base Specification, Revision 1.0a</i> .
4	Memory Write and Invalidate Enable (MWE) — RO. Hardwired to 0, per the <i>PCI Express* Base Specification, Revision 1.0a</i>
3	Special Cycle Enable (SCE) — RO. Hardwired to 0, per the <i>PCI Express* Base Specification, Revision 1.0a</i> and the <i>PCI- to-PCI Bridge Specification</i> .



Bit	Description
	<p><b>Signaled System Error (SSE)</b> — R/WC. Several internal and external sources of the bridge can cause SERR#. The first class of errors is parity errors related to the backbone. The PCI bridge captures generic data parity errors (errors it finds on the backbone) as well as errors returned on backbone cycles where the bridge was the master. If either of these two conditions is met, and the primary side of the bridge is enabled for parity error response, SERR# will be captured as shown below.</p>  <p>As with the backbone, the PCI bus captures the same sets of errors. The PCI bridge captures generic data parity errors (errors it finds on PCI) as well as errors returned on PCI cycles where the bridge was the master. If either of these two conditions is met, and the secondary side of the bridge is enabled for parity error response, SERR# will be captured as shown below.</p>  <p>14 The final class of errors is system bus errors. There are three status bits associated with system bus errors, each with a corresponding enable. The diagram capturing this is shown below.</p>  <p>After checking for the three above classes of errors, an SERR# is generated, and PSTS.SSE logs the generation of SERR#, if CMD.SEE (D30:F0:04, bit 8) is set, as shown below.</p> 
13	<p><b>Received Master Abort (RMA)</b> — R/WC.            0 = No master abort received.            1 = Set when the bridge receives a master abort status from the backbone.</p>
12	<p><b>Received Target Abort (RTA)</b> — R/WC.            0 = No target abort received.            1 = Set when the bridge receives a target abort status from the backbone.</p>













### 9.1.13 MEMBASE\_LIMIT—Memory Base and Limit Register (PCI-PCI—D30:F0)

Offset Address: 20h–23h                      Attribute: R/W, RO  
 Default Value: 00000000h                  Size: 32 bits

This register defines the base and limit, aligned to a 1-MB boundary, of the non-prefetchable memory area of the bridge. Accesses that are within the ranges specified in this register will be sent to PCI if CMD.MSE is set. Accesses from PCI that are outside the ranges specified will be accepted by the bridge if CMD.BME is set.

Bit	Description
31-20	<b>Memory Limit (ML)</b> — R/W. These bits are compared with bits 31:20 of the incoming address to determine the upper 1-MB aligned value (exclusive) of the range. The incoming address must be less than this value.
19-16	Reserved
15:4	<b>Memory Base (MB)</b> — R/W. These bits are compared with bits 31:20 of the incoming address to determine the lower 1-MB aligned value (inclusive) of the range. The incoming address must be greater than or equal to this value.
3:0	Reserved

### 9.1.14 PREF\_MEM\_BASE\_LIMIT—Prefetchable Memory Base and Limit Register (PCI-PCI—D30:F0)

Offset Address: 24h–27h                      Attribute: R/W, RO  
 Default Value: 00010001h                  Size: 32-bit

Defines the base and limit, aligned to a 1-MB boundary, of the prefetchable memory area of the bridge. Accesses that are within the ranges specified in this register will be sent to PCI if CMD.MSE is set. Accesses from PCI that are outside the ranges specified will be accepted by the bridge if CMD.BME is set.

Bit	Description
31-20	<b>Prefetchable Memory Limit (PML)</b> — R/W. These bits are compared with bits 31:20 of the incoming address to determine the upper 1-MB aligned value (exclusive) of the range. The incoming address must be less than this value.
19-16	64-bit Indicator (I64L) — RO. Indicates support for 64-bit addressing.
15:4	<b>Prefetchable Memory Base (PMB)</b> — R/W. These bits are compared with bits 31:20 of the incoming address to determine the lower 1-MB aligned value (inclusive) of the range. The incoming address must be greater than or equal to this value.
3:0	64-bit Indicator (I64B) — RO. Indicates support for 64-bit addressing.



### 9.1.15 PMBU32—Prefetchable Memory Base Upper 32 Bits Register (PCI-PCI—D30:F0)

Offset Address: 28h–2Bh                      Attribute: R/W  
Default Value: 00000000h                  Size: 32 bits

Bit	Description
31:0	<b>Prefetchable Memory Base Upper Portion (PMBU)</b> — R/W. Upper 32-bits of the prefetchable address base.

### 9.1.16 PMLU32—Prefetchable Memory Limit Upper 32 Bits Register (PCI-PCI—D30:F0)

Offset Address: 2C–2Fh                      Attribute: R/W  
Default Value: 00000000h                  Size: 32 bits

Bit	Description
31:0	<b>Prefetchable Memory Limit Upper Portion (PMLU)</b> — R/W. Upper 32-bits of the prefetchable address limit.

### 9.1.17 CAPP—Capability List Pointer Register (PCI-PCI—D30:F0)

Offset Address: 34h                          Attribute: RO  
Default Value: 50h                          Size: 8 bits

Bit	Description
7:0	Capabilities Pointer (PTR) — RO. Indicates that the pointer for the first entry in the capabilities list is at 50h in configuration space.

### 9.1.18 INTR—Interrupt Information Register (PCI-PCI—D30:F0)

Offset Address: 3Ch–3Dh                      Attribute: R/W, RO  
Default Value: 0000h                      Size: 16 bits

Bit	Description
15:8	Interrupt Pin (IPIN) — RO. The PCI bridge does not assert an interrupt.
7:0	<b>Interrupt Line (ILINE)</b> — R/W. Software written value to indicate which interrupt line (vector) the interrupt is connected to. No hardware action is taken on this register. Since the bridge does not generate an interrupt, BIOS should program this value to FFh as per the PCI bridge specification.









Bit	Description
3	<b>Never Prefetch (NP)</b> — R/W. 0 = Prefetch enabled 1 = The ICH7 will only fetch a single DW and will not enable prefetching, regardless of the command being an Memory read (MR), Memory read line (MRL), or Memory read multiple (MRM).
2	<b>Memory Read Multiple Prefetch Disable (MRMPD)</b> — R/W. 0 = MRM commands will fetch multiple cache lines as defined by the prefetch algorithm. 1 = Memory read multiple (MRM) commands will fetch only up to a single, 64-byte aligned cache line.
1	<b>Memory Read Line Prefetch Disable (MRLPD)</b> — R/W. 0 = MRL commands will fetch multiple cache lines as defined by the prefetch algorithm. 1 = Memory read line (MRL) commands will fetch only up to a single, 64-byte aligned cache line.
0	<b>Memory Read Prefetch Disable (MRPD)</b> — R/W. 0 = MR commands will fetch up to a 64-byte aligned cache line. 1 = Memory read (MR) commands will fetch only a single DW.





### 9.1.23 BPC—Bridge Policy Configuration Register (PCI-PCI—D30:F0)

Offset Address: 4Ch–4Fh                      Attribute: R/W, RO  
 Default Value: 00001200h                  Size: 32 bits

Bit	Description
31:14	Reserved
13:8	<p><b>Upstream Read Latency Threshold (URLT)</b> — R/W: This field specifies the number of PCI clocks after internally enqueueing an upstream memory read request at which point the PCI target logic should insert wait states in order to optimize lead-off latency. When the master returns after this threshold has been reached and data has not arrived in the Delayed Transaction completion queue, then the PCI target logic will insert wait states instead of immediately retrying the cycle. The PCI target logic will insert up to 16 clocks of target initial latency (from FRAME# assertion to TRDY# or STOP# assertion) before retrying the PCI read cycle (if the read data has not arrived yet).</p> <p>Note that the starting event for this Read Latency Timer is not explicitly visible externally.</p> <p>A value of 0h disables this policy completely such that wait states will not be inserted on the read lead-off data phase.</p> <p>The default value (12h) specifies 18 PCI clocks (540 ns) and is approximately 4 clocks less than the typical idle lead-off latency expected for desktop Intel® ICH7 systems. This value may need to be changed by BIOS, depending on the platform.</p>
7	<p><b>Subtractive Decode Policy (SDP)</b> — R/W.</p> <p>0 = The PCI bridge always forwards memory and I/O cycles that are not claimed by any other device on the backbone (primary interface) to the PCI bus (secondary interface).</p> <p>1 = The PCI bridge will not claim and forward memory or I/O cycles at all unless the corresponding Space Enable bit is set in the Command register.</p> <p><b>NOTE:</b> The Boot BIOS Destination Selection strap can force the BIOS accesses to PCI.</p>
6	<p><b>PERR#-to-SERR# Enable (PSE)</b> — R/W. When this bit is set, a 1 in the PERR# Assertion status bit (in the Bridge Proprietary Status register) will result in an internal SERR# assertion on the primary side of the bridge (if also enabled by the SERR# Enable bit in the primary Command register). SERR# is a source of NMI.</p>
5	<p><b>Secondary Discard Timer Testmode (SDTT)</b> — R/W.</p> <p>0 = The secondary discard timer expiration will be defined in BCTRL.SDT (D30:F0:3E, bit 9)</p> <p>1 = The secondary discard timer will expire after 128 PCI clocks.</p>
4:3	Reserved
2	<p><b>Peer Decode Enable (PDE)</b> — R/W.</p> <p>0 = The PCI bridge assumes that all memory cycles target main memory, and all I/O cycles are not claimed.</p> <p>1 = The PCI bridge will perform peer decode on any memory or I/O cycle from PCI that falls outside of the memory and I/O window registers</p>
1	Reserved
0	<p><b>Received Target Abort SERR# Enable (RTAE)</b> — R/W. When set, the PCI bridge will report SERR# when PSTS.RTA (D30:F0:06 bit 12) or SSTS.RTA (D30:F0:1E bit 12) are set, and CMD.SEE (D30:F0:04 bit 8) is set.</p>









# 10 LPC Interface Bridge Registers (D31:F0)

The LPC bridge function of the ICH7 resides in PCI Device 31:Function 0. This function contains many other functional units, such as DMA and Interrupt controllers, Timers, Power Management, System Management, GPIO, RTC, and LPC Configuration Registers.

Registers and functions associated with other functional units (EHCI, UHCI, IDE, etc.) are described in their respective sections.

## 10.1 PCI Configuration Registers (LPC I/F—D31:F0)

**Note:** Address locations that are not shown should be treated as Reserved.

**Table 10-1. LPC Interface PCI Register Address Map (LPC I/F—D31:F0) (Sheet 1 of 2)**

Offset	Mnemonic	Register Name	Default	Type
00h–01h	VID	Vendor Identification	8086h	RO
02h–03h	DID	Device Identification	See register description.	RO
04h–05h	PCICMD	PCI Command	0007h	R/W, RO
06h–07h	PCISTS	PCI Status	0200h	R/WC, RO
08h	RID	Revision Identification	See register description.	RO
09h	PI	Programming Interface	00h	RO
0Ah	SCC	Sub Class Code	01h	RO
0Bh	BCC	Base Class Code	06h	RO
0Dh	PLT	Primary Latency Timer	00h	RO
0Eh	HEADTYP	Header Type	80h	RO
2Ch–2Fh	SS	Sub System Identifiers	00000000h	R/WO
34h	CAPP	Capability List Pointer	E0h	RO
40h–43h	PMBASE	ACPI Base Address	00000001h	R/W, RO
44h	ACPI_CNTL	ACPI Control	00h	R/W
48h–4Bh	GPIOBASE	GPIO Base Address	00000001h	R/W, RO
4C	GC	GPIO Control	00h	R/W
60h–63h	PIRQ[n]_ROUT	PIRQ[A–D] Routing Control (Desktop and Mobile Only)	80h	R/W
64h	SIRQ_CNTL	Serial IRQ Control	10h	R/W, RO
68h–6Bh	PIRQ[n]_ROUT	PIRQ[E–H] Routing Control	80h	R/W
80h	LPC_I/O_DEC	I/O Decode Ranges	0000h	R/W
82h–83h	LPC_EN	LPC Interface Enables	0000h	R/W











### 10.1.11 SS—Sub System Identifiers Register (LPC I/F—D31:F0)

Offset Address: 2Ch–2Fh                      Attribute: R/WO  
 Default Value: 00000000h                  Size: 32 bits

This register is initialized to logic 0 by the assertion of PLTRST#. This register can be written only once after PLTRST# de-assertion.

Bit	Description
31:16	<b>Subsystem ID (SSID)</b> — R/WO This is written by BIOS. No hardware action taken on this value.
15:0	<b>Subsystem Vendor ID (SSVID)</b> — R/WO This is written by BIOS. No hardware action taken on this value.

### 10.1.12 CAPP—Capability List Pointer (LPC I/F—D31:F0)

Offset Address: 34h                              Attribute: RO  
 Default Value: E0h                              Size: 8 bits  
     Power Well: Core

Bit	Description
7:0	<b>Capability Pointer (CP)</b> — RO. Indicates the offset of the first item.

### 10.1.13 PMBASE—ACPI Base Address Register (LPC I/F—D31:F0)

Offset Address: 40h–43h                      Attribute: R/W, RO  
 Default Value: 00000001h                  Size: 32 bit  
 Lockable: No                                      Usage: ACPI, Legacy  
     Power Well: Core

Sets base address for ACPI I/O registers, GPIO registers and TCO I/O registers. These registers can be mapped anywhere in the 64-K I/O space on 128-byte boundaries.

Bit	Description
31:16	Reserved
15:7	<b>Base Address</b> — R/W. This field provides 128 bytes of I/O space for ACPI, GPIO, and TCO logic. This is placed on a 128-byte boundary.
6:1	Reserved
0	Resource Type Indicator (RTE) — RO. Hardwired to 1 to indicate I/O space.





### 10.1.14 ACPI\_CNTL—ACPI Control Register (LPC I/F — D31:F0)

Offset Address:	44h	Attribute:	R/W
Default Value:	00h	Size:	8 bit
Lockable:	No	Usage:	ACPI, Legacy
		Power Well:	Core

Bit	Description																		
7	<p><b>ACPI Enable (ACPI_EN)</b> — R/W.</p> <p>0 = Disable.</p> <p>1 = Decode of the I/O range pointed to by the ACPI base register is enabled, and the ACPI power management function is enabled. Note that the APM power management ranges (B2/B3h) are always enabled and are not affected by this bit.</p>																		
6:3	Reserved																		
2:0	<p><b>SCI IRQ Select (SCI_IRQ_SEL)</b> — R/W.</p> <p>Specifies on which IRQ the SCI will internally appear. If not using the APIC, the SCI must be routed to IRQ9–11, and that interrupt is not sharable with the SERIRQ stream, but is shareable with other PCI interrupts. If using the APIC, the SCI can also be mapped to IRQ20–23, and can be shared with other interrupts.</p> <table> <thead> <tr> <th>Bits</th> <th>SCI Map</th> </tr> </thead> <tbody> <tr> <td>000b</td> <td>IRQ9</td> </tr> <tr> <td>001b</td> <td>IRQ10</td> </tr> <tr> <td>010b</td> <td>IRQ11</td> </tr> <tr> <td>011b</td> <td>Reserved</td> </tr> <tr> <td>100b</td> <td>IRQ20 (Only available if APIC enabled)</td> </tr> <tr> <td>101b</td> <td>IRQ21 (Only available if APIC enabled)</td> </tr> <tr> <td>110b</td> <td>IRQ22 (Only available if APIC enabled)</td> </tr> <tr> <td>111b</td> <td>IRQ23 (Only available if APIC enabled)</td> </tr> </tbody> </table> <p><b>NOTE:</b> When the interrupt is mapped to APIC interrupts 9, 10 or 11, the APIC should be programmed for active-high reception. When the interrupt is mapped to APIC interrupts 20 through 23, the APIC should be programmed for active-low</p>	Bits	SCI Map	000b	IRQ9	001b	IRQ10	010b	IRQ11	011b	Reserved	100b	IRQ20 (Only available if APIC enabled)	101b	IRQ21 (Only available if APIC enabled)	110b	IRQ22 (Only available if APIC enabled)	111b	IRQ23 (Only available if APIC enabled)
Bits	SCI Map																		
000b	IRQ9																		
001b	IRQ10																		
010b	IRQ11																		
011b	Reserved																		
100b	IRQ20 (Only available if APIC enabled)																		
101b	IRQ21 (Only available if APIC enabled)																		
110b	IRQ22 (Only available if APIC enabled)																		
111b	IRQ23 (Only available if APIC enabled)																		

### 10.1.15 GPIOBASE—GPIO Base Address Register (LPC I/F — D31:F0)

Offset Address:	48h–4Bh	Attribute:	R/W, RO
Default Value:	00000001h	Size:	32 bit

Bit	Description
31:16	Reserved. Always 0.
15:6	<b>Base Address (BA)</b> — R/W. Provides the 64 bytes of I/O space for GPIO.
5:1	Reserved. Always 0.
0	RO. Hardwired to 1 to indicate I/O space.







### 10.1.19 PIRQ[n]\_ROUT—PIRQ[E,F,G,H] Routing Control Register (LPC I/F—D31:F0)

Offset Address: PIRQE – 68h, PIRQF – 69h, Attribute: R/W  
 PIRQG – 6Ah, PIRQH – 6Bh  
 Default Value: 80h Size: 8 bit  
 Lockable: No Power Well: Core

Bit	Description																																				
7	<p><b>Interrupt Routing Enable (IRQEN)</b> — R/W.</p> <p>0 = The corresponding PIRQ is routed to one of the ISA-compatible interrupts specified in bits[3:0].</p> <p>1 = The PIRQ is not routed to the 8259.</p> <p><b>NOTE:</b> BIOS must program this bit to 0 during POST for any of the PIRQs that are being used. The value of this bit may subsequently be changed by the OS when setting up for I/O APIC interrupt delivery mode.</p>																																				
6:4	Reserved																																				
3:0	<p><b>IRQ Routing</b> — R/W. (ISA compatible.)</p> <table border="1"> <thead> <tr> <th>Value</th> <th>IRQ</th> <th>Value</th> <th>IRQ</th> </tr> </thead> <tbody> <tr> <td>0000b</td> <td>Reserved</td> <td>1000b</td> <td>Reserved</td> </tr> <tr> <td>0001b</td> <td>Reserved</td> <td>1001b</td> <td>IRQ9</td> </tr> <tr> <td>0010b</td> <td>Reserved</td> <td>1010b</td> <td>IRQ10</td> </tr> <tr> <td>0011b</td> <td>IRQ3</td> <td>1011b</td> <td>IRQ11</td> </tr> <tr> <td>0100b</td> <td>IRQ4</td> <td>1100b</td> <td>IRQ12</td> </tr> <tr> <td>0101b</td> <td>IRQ5</td> <td>1101b</td> <td>Reserved</td> </tr> <tr> <td>0110b</td> <td>IRQ6</td> <td>1110b</td> <td>IRQ14</td> </tr> <tr> <td>0111b</td> <td>IRQ7</td> <td>1111b</td> <td>IRQ15</td> </tr> </tbody> </table>	Value	IRQ	Value	IRQ	0000b	Reserved	1000b	Reserved	0001b	Reserved	1001b	IRQ9	0010b	Reserved	1010b	IRQ10	0011b	IRQ3	1011b	IRQ11	0100b	IRQ4	1100b	IRQ12	0101b	IRQ5	1101b	Reserved	0110b	IRQ6	1110b	IRQ14	0111b	IRQ7	1111b	IRQ15
Value	IRQ	Value	IRQ																																		
0000b	Reserved	1000b	Reserved																																		
0001b	Reserved	1001b	IRQ9																																		
0010b	Reserved	1010b	IRQ10																																		
0011b	IRQ3	1011b	IRQ11																																		
0100b	IRQ4	1100b	IRQ12																																		
0101b	IRQ5	1101b	Reserved																																		
0110b	IRQ6	1110b	IRQ14																																		
0111b	IRQ7	1111b	IRQ15																																		



## 10.1.20 LPC\_I/O\_DEC—I/O Decode Ranges Register (LPC I/F—D31:F0)

Offset Address: 80h  
Default Value: 0000h

Attribute: R/W  
Size: 16 bit

Bit	Description
15:13	Reserved
12	<b>FDD Decode Range</b> — R/W. Determines which range to decode for the FDD Port 0 = 3F0h – 3F5h, 3F7h (Primary) 1 = 370h – 375h, 377h (Secondary)
11:10	Reserved
9:8	<b>LPT Decode Range</b> — R/W. This field determines which range to decode for the LPT Port. 00 = 378h – 37Fh and 778h – 77Fh 01 = 278h – 27Fh (port 279h is read only) and 678h – 67Fh 10 = 3BCh – 3BEh and 7BCh – 7BEh 11 = Reserved
7	Reserved
6:4	<b>COMB Decode Range</b> — R/W. This field determines which range to decode for the COMB Port. 000 = 3F8h – 3FFh (COM1) 001 = 2F8h – 2FFh (COM2) 010 = 220h – 227h 011 = 228h – 22Fh 100 = 238h – 23Fh 101 = 2E8h – 2EFh (COM4) 110 = 338h – 33Fh 111 = 3E8h – 3EFh (COM3)
3	Reserved
2:0	<b>COMA Decode Range</b> — R/W. This field determines which range to decode for the COMA Port. 000 = 3F8h – 3FFh (COM1) 001 = 2F8h – 2FFh (COM2) 010 = 220h – 227h 011 = 228h – 22Fh 100 = 238h – 23Fh 101 = 2E8h – 2EFh (COM4) 110 = 338h – 33Fh 111 = 3E8h – 3EFh (COM3)







### 10.1.24 GEN3\_DEC—LPC I/F Generic Decode Range 3 Register (LPC I/F—D31:F0)

Offset Address: 8Ch – 8Eh  
Default Value: 00000000h

Attribute: R/W  
Size: 32 bit  
Power Well: Core

Bit	Description
31:24	Reserved
23:18	<b>Generic I/O Decode Range Address[7:2] Mask:</b> A '1' in any bit position indicates that any value in the corresponding address bit in a received cycle will be treated as a match. The corresponding bit in the Address field, below, is ignored. The mask is only provided for the lower 6 bits of the DWord address, allowing for decoding blocks up to 256 bytes in size.
17:16	Reserved
15:2	<b>Generic I/O Decode Range 3Base Address (GEN3_BASE)</b> — R/W. <b>NOTE:</b> The Intel® ICH7 does not provide decode down to the word or byte level.
1	Reserved
0	<b>Generic Decode Range 3Enable (GEN3_EN)</b> — R/W. 0 = Disable. 1 = Enable the GEN3 I/O range to be forwarded to the LPC I/F

### 10.1.25 GEN4\_DEC—LPC I/F Generic Decode Range 4 Register (LPC I/F—D31:F0)

Offset Address: 90h – 93h  
Default Value: 00000000h

Attribute: R/W  
Size: 32 bit  
Power Well: Core

Bit	Description
31:24	Reserved
23:18	<b>Generic I/O Decode Range Address[7:2] Mask:</b> A '1' in any bit position indicates that any value in the corresponding address bit in a received cycle will be treated as a match. The corresponding bit in the Address field, below, is ignored. The mask is only provided for the lower 6 bits of the DWord address, allowing for decoding blocks up to 256 bytes in size.
17:16	Reserved
15:2	<b>Generic I/O Decode Range 4Base Address (GEN4_BASE)</b> — R/W. <b>NOTE:</b> The Intel® ICH7 does not provide decode down to the word or byte level.
1	Reserved
0	<b>Generic Decode Range 4Enable (GEN4_EN)</b> — R/W. 0 = Disable. 1 = Enable the GEN4 I/O range to be forwarded to the LPC I/F





### 10.1.26 FWH\_SEL1—Firmware Hub Select 1 Register (LPC I/F—D31:F0)

Offset Address: D0h–D3h  
Default Value: 00112233h

Attribute: R/W, RO  
Size: 32 bits

Bit	Description
31:28	<b>FWH_F8_IDSEL</b> — RO. IDSEL for two 512-KB Firmware Hub memory ranges and one 128-KB memory range. This field is fixed at 0000. The IDSEL programmed in this field addresses the following memory ranges: FFF8 0000h – FFFF FFFFh FFB8 0000h – FFBF FFFFh 000E 0000h – 000F FFFFh
27:24	<b>FWH_F0_IDSEL</b> — R/W. IDSEL for two 512-KB Firmware Hub memory ranges. The IDSEL programmed in this field addresses the following memory ranges: FFF0 0000h – FFF7 FFFFh FFB0 0000h – FFB7 FFFFh
23:20	<b>FWH_E8_IDSEL</b> — R/W. IDSEL for two 512-KB Firmware Hub memory ranges. The IDSEL programmed in this field addresses the following memory ranges: FFE8 0000h – FFEF FFFFh FFA8 0000h – FFAF FFFFh
19:16	<b>FWH_E0_IDSEL</b> — R/W. IDSEL for two 512-KB Firmware Hub memory ranges. The IDSEL programmed in this field addresses the following memory ranges: FFE0 0000h – FFE7 FFFFh FFA0 0000h – FFA7 FFFFh
15:12	<b>FWH_D8_IDSEL</b> — R/W. IDSEL for two 512-KB Firmware Hub memory ranges. The IDSEL programmed in this field addresses the following memory ranges: FFD8 0000h – FFD7 FFFFh FF98 0000h – FF9F FFFFh
11:8	<b>FWH_D0_IDSEL</b> — R/W. IDSEL for two 512-KB Firmware Hub memory ranges. The IDSEL programmed in this field addresses the following memory ranges: FFD0 0000h – FFD7 FFFFh FF90 0000h – FF97 FFFFh
7:4	<b>FWH_C8_IDSEL</b> — R/W. IDSEL for two 512-KB Firmware Hub memory ranges. The IDSEL programmed in this field addresses the following memory ranges: FFC8 0000h – FFC7 FFFFh FF88 0000h – FF8F FFFFh
3:0	<b>FWH_C0_IDSEL</b> — R/W. IDSEL for two 512-KB Firmware Hub memory ranges. The IDSEL programmed in this field addresses the following memory ranges: FFC0 0000h – FFC7 FFFFh FF80 0000h – FF87 FFFFh





Bit	Description
12	<p><b>FWH_EO_EN</b> — R/W. This bit enables decoding two 512-KB Firmware Hub memory ranges.</p> <p>0 = Disable.            1 = Enable the following ranges for the Firmware Hub:                FFE00000h – FFE7FFFFh                FFA00000h – FFA7FFFFh</p>
11	<p><b>FWH_D8_EN</b> — R/W. This bit enables decoding two 512-KB Firmware Hub memory ranges.</p> <p>0 = Disable.            1 = Enable the following ranges for the Firmware Hub:                FFD80000h – FFDFFFFFFh                FF980000h – FF9FFFFFFh</p>
10	<p><b>FWH_DO_EN</b> — R/W. This bit enables decoding two 512-KB Firmware Hub memory ranges.</p> <p>0 = Disable.            1 = Enable the following ranges for the Firmware Hub:                FFD00000h – FFD7FFFFh                FF900000h – FF97FFFFh</p>
9	<p><b>FWH_C8_EN</b> — R/W. This bit enables decoding two 512-KB Firmware Hub memory ranges.</p> <p>0 = Disable.            1 = Enable the following ranges for the Firmware Hub:                FFC80000h – FFCFFFFFFh                FF880000h – FF8FFFFFFh</p>
8	<p><b>FWH_CO_EN</b> — R/W. This bit enables decoding two 512-KB Firmware Hub memory ranges.</p> <p>0 = Disable.            1 = Enable the following ranges for the Firmware Hub:                FFC00000h – FFC7FFFFh                FF800000h – FF87FFFFh</p>
7	<p><b>FWH_Legacy_F_EN</b> — R/W. This enables the decoding of the legacy 128-K range at F0000h – FFFFFh.</p> <p>0 = Disable.            1 = Enable the following legacy ranges for the Firmware Hub:                F0000h – FFFFFh</p>
6	<p><b>FWH_Legacy_E_EN</b> — R/W. This enables the decoding of the legacy 128-K range at E0000h – EFFFFh.</p> <p>0 = Disable.            1 = Enable the following legacy ranges for the Firmware Hub:                E0000h – EFFFFh</p>
5:4	Reserved
3	<p><b>FWH_70_EN</b> — R/W. Enables decoding two 1-M Firmware Hub memory ranges.</p> <p>0 = Disable.            1 = Enable the following ranges for the Firmware Hub:                FF70 0000h – FF7F FFFFh                FF30 0000h – FF3F FFFFh</p>



Bit	Description
2	<b>FWH_60_EN</b> — R/W. Enables decoding two 1-M Firmware Hub memory ranges. 0 = Disable. 1 = Enable the following ranges for the Firmware Hub FF60 0000h – FF6F FFFFh FF20 0000h – FF2F FFFFh
1	<b>FWH_50_EN</b> — R/W. Enables decoding two 1-M Firmware Hub memory ranges. 0 = Disable. 1 = Enable the following ranges for the Firmware Hub FF50 0000h – FF5F FFFFh FF10 0000h – FF1F FFFFh
0	<b>FWH_40_EN</b> — R/W. Enables decoding two 1-M Firmware Hub memory ranges. 0 = Disable. 1 = Enable the following ranges for the Firmware Hub FF40 0000h – FF4F FFFFh FF00 0000h – FF0F FFFFh

**Note:** This register effects the BIOS decode regardless of whether the BIOS is resident on LPC or SPI (Desktop and Mobile Only). The concept of Feature Space does not apply to SPI-based flash. The ICH7 simply decodes these ranges as memory accesses when enabled for the SPI flash interface.





### 10.1.30 FDCAP—Feature Detection Capability ID (LPC I/F—D31:F0)

Offset Address: E0h-E1h                      Attribute: RO  
Default Value: 0009h                      Size: 16 bit  
Power Well: Core

Bit	Description
15:8	Next Item Pointer (NEXT): Configuration offset of the next Capability Item. 00h indicates the last item in the Capability List.
7:0	Capability ID: Indicates a Vendor Specific Capability

### 10.1.31 FDLEN—Feature Detection Capability Length (LPC I/F—D31:F0)

Offset Address: E2h                              Attribute: RO  
Default Value: 0Ch                              Size: 8 bit  
Power Well: Core

Bit	Description
7:0	Capability Length: Indicates the length of this Vendor Specific capability, as required by PCI Spec.

### 10.1.32 FDVER—Feature Detection Version (LPC I/F—D31:F0)

Offset Address: E3h                              Attribute: RO  
Default Value: 10h                              Size: 8 bit  
Power Well: Core

Bit	Description
7:4	Vendor-Specific Capability ID: A value of 1h in this 4-bit field identifies this Capability as Feature Detection Type. This field allows software to differentiate the Feature Detection Capability from other Vendor-Specific capabilities
3:0	Capability Version: This field indicates the version of the Feature Detection capability









## 10.2 DMA I/O Registers (LPC I/F—D31:F0)

Table 10-2. DMA Registers (Sheet 1 of 2)

Port	Alias	Register Name	Default	Type
00h	10h	Channel 0 DMA Base & Current Address	Undefined	R/W
01h	11h	Channel 0 DMA Base & Current Count	Undefined	R/W
02h	12h	Channel 1 DMA Base & Current Address	Undefined	R/W
03h	13h	Channel 1 DMA Base & Current Count	Undefined	R/W
04h	14h	Channel 2 DMA Base & Current Address	Undefined	R/W
05h	15h	Channel 2 DMA Base & Current Count	Undefined	R/W
06h	16h	Channel 3 DMA Base & Current Address	Undefined	R/W
07h	17h	Channel 3 DMA Base & Current Count	Undefined	R/W
08h	18h	Channel 0–3 DMA Command	Undefined	WO
		Channel 0–3 DMA Status	Undefined	RO
0Ah	1Ah	Channel 0–3 DMA Write Single Mask	000001XXb	WO
0Bh	1Bh	Channel 0–3 DMA Channel Mode	000000XXb	WO
0Ch	1Ch	Channel 0–3 DMA Clear Byte Pointer	Undefined	WO
0Dh	1Dh	Channel 0–3 DMA Master Clear	Undefined	WO
0Eh	1Eh	Channel 0–3 DMA Clear Mask	Undefined	WO
0Fh	1Fh	Channel 0–3 DMA Write All Mask	0Fh	R/W
80h	90h	Reserved Page	Undefined	R/W
81h	91h	Channel 2 DMA Memory Low Page	Undefined	R/W
82h	—	Channel 3 DMA Memory Low Page	Undefined	R/W
83h	93h	Channel 1 DMA Memory Low Page	Undefined	R/W
84h–86h	94h–96h	Reserved Pages	Undefined	R/W
87h	97h	Channel 0 DMA Memory Low Page	Undefined	R/W
88h	98h	Reserved Page	Undefined	R/W
89h	99h	Channel 6 DMA Memory Low Page	Undefined	R/W
8Ah	9Ah	Channel 7 DMA Memory Low Page	Undefined	R/W
8Bh	9Bh	Channel 5 DMA Memory Low Page	Undefined	R/W
8Ch–8Eh	9Ch–9Eh	Reserved Page	Undefined	R/W
8Fh	9Fh	Refresh Low Page	Undefined	R/W
C0h	C1h	Channel 4 DMA Base & Current Address	Undefined	R/W
C2h	C3h	Channel 4 DMA Base & Current Count	Undefined	R/W
C4h	C5h	Channel 5 DMA Base & Current Address	Undefined	R/W
C6h	C7h	Channel 5 DMA Base & Current Count	Undefined	R/W
C8h	C9h	Channel 6 DMA Base & Current Address	Undefined	R/W
CAh	CBh	Channel 6 DMA Base & Current Count	Undefined	R/W
CCh	CDh	Channel 7 DMA Base & Current Address	Undefined	R/W



Table 10-2. DMA Registers (Sheet 2 of 2)

Port	Alias	Register Name	Default	Type
CEh	CFh	Channel 7 DMA Base & Current Count	Undefined	R/W
D0h	D1h	Channel 4–7 DMA Command	Undefined	WO
		Channel 4–7 DMA Status	Undefined	RO
D4h	D5h	Channel 4–7 DMA Write Single Mask	000001XXb	WO
D6h	D7h	Channel 4–7 DMA Channel Mode	000000XXb	WO
D8h	D9h	Channel 4–7 DMA Clear Byte Pointer	Undefined	WO
DAh	DBh	Channel 4–7 DMA Master Clear	Undefined	WO
DCh	DDh	Channel 4–7 DMA Clear Mask	Undefined	WO
DEh	DFh	Channel 4–7 DMA Write All Mask	0Fh	R/W

### 10.2.1 DMABASE\_CA—DMA Base and Current Address Registers (LPC I/F—D31:F0)

I/O Address: Ch. #0 = 00h; Ch. #1 = 02h Attribute: R/W  
 Ch. #2 = 04h; Ch. #3 = 06h Size: 16 bit (per channel),  
 Ch. #5 = C4h Ch. #6 = C8h but accessed in two 8-bit  
 Ch. #7 = CCh; quantities  
 Default Value: Undef  
 Lockable: No Power Well: Core

Bit	Description
15:0	<p><b>Base and Current Address</b> — R/W. This register determines the address for the transfers to be performed. The address specified points to two separate registers. On writes, the value is stored in the <i>Base Address</i> register and copied to the <i>Current Address</i> register. On reads, the value is returned from the <i>Current Address</i> register. The address increments/decrements in the Current Address register after each transfer, depending on the mode of the transfer. If the channel is in auto-initialize mode, the Current Address register will be reloaded from the Base Address register after a terminal count is generated.</p> <p>For transfers to/from a 16-bit slave (channel's 5-7), the address is shifted left one bit location. Bit 15 will be shifted into Bit 16.</p> <p>The register is accessed in 8 bit quantities. The byte is pointed to by the current byte pointer flip/flop. Before accessing an address register, the byte pointer flip/flop should be cleared to ensure that the low byte is accessed first.</p>



## 10.2.2 DMABASE\_CC—DMA Base and Current Count Registers (LPC I/F—D31:F0)

I/O Address: Ch. #0 = 01h; Ch. #1 = 03h Attribute: R/W  
 Ch. #2 = 05h; Ch. #3 = 07h Size: 16-bit (per channel),  
 Ch. #5 = C6h; Ch. #6 = CAh but accessed in two 8-bit  
 Ch. #7 = CEh; quantities  
 Default Value: Undefined  
 Lockable: No Power Well: Core

Bit	Description
15:0	<p><b>Base and Current Count</b> — R/W. This register determines the number of transfers to be performed. The address specified points to two separate registers. On writes, the value is stored in the <i>Base Count</i> register and copied to the <i>Current Count</i> register. On reads, the value is returned from the <i>Current Count</i> register.</p> <p>The actual number of transfers is one more than the number programmed in the Base Count Register (i.e., programming a count of 4h results in 5 transfers). The count is decrements in the Current Count register after each transfer. When the value in the register rolls from 0 to FFFFh, a terminal count is generated. If the channel is in auto-initialize mode, the Current Count register will be reloaded from the Base Count register after a terminal count is generated.</p> <p>For transfers to/from an 8-bit slave (channels 0–3), the count register indicates the number of bytes to be transferred. For transfers to/from a 16-bit slave (channels 5–7), the count register indicates the number of words to be transferred.</p> <p>The register is accessed in 8 bit quantities. The byte is pointed to by the current byte pointer flip/flop. Before accessing a count register, the byte pointer flip/flop should be cleared to ensure that the low byte is accessed first.</p>

## 10.2.3 DMAMEM\_LP—DMA Memory Low Page Registers (LPC I/F—D31:F0)

I/O Address: Ch. #0 = 87h; Ch. #1 = 83h  
 Ch. #2 = 81h; Ch. #3 = 82h  
 Ch. #5 = 8Bh; Ch. #6 = 89h  
 Ch. #7 = 8Ah; Attribute: R/W  
 Default Value: Undefined Size: 8-bit  
 Lockable: No Power Well: Core

Bit	Description
7:0	<p><b>DMA Low Page</b> (ISA Address bits [23:16]) — R/W. This register works in conjunction with the DMA controller's Current Address Register to define the complete 24-bit address for the DMA channel. This register remains static throughout the DMA transfer. Bit 16 of this register is ignored when in 16 bit I/O count by words mode as it is replaced by the bit 15 shifted out from the current address register.</p>



### 10.2.4 DMACMD—DMA Command Register (LPC I/F—D31:F0)

I/O Address: Ch. #0–3 = 08h;  
 Ch. #4–7 = D0h  
 Attribute: WO  
 Default Value: Undefined  
 Size: 8-bit  
 Lockable: No  
 Power Well: Core

Bit	Description
7:5	Reserved. Must be 0.
4	<b>DMA Group Arbitration Priority</b> — WO. Each channel group is individually assigned either fixed or rotating arbitration priority. At part reset, each group is initialized in fixed priority. 0 = Fixed priority to the channel group 1 = Rotating priority to the group.
3	Reserved. Must be 0.
2	<b>DMA Channel Group Enable</b> — WO. Both channel groups are enabled following part reset. 0 = Enable the DMA channel group. 1 = Disable. Disabling channel group 4–7 also disables channel group 0–3, which is cascaded through channel 4.
1:0	Reserved. Must be 0.

### 10.2.5 DMASTA—DMA Status Register (LPC I/F—D31:F0)

I/O Address: Ch. #0–3 = 08h;  
 Ch. #4–7 = D0h  
 Attribute: RO  
 Default Value: Undefined  
 Size: 8-bit  
 Lockable: No  
 Power Well: Core

Bit	Description
7:4	<b>Channel Request Status</b> — RO. When a valid DMA request is pending for a channel, the corresponding bit is set to 1. When a DMA request is not pending for a particular channel, the corresponding bit is set to 0. The source of the DREQ may be hardware or a software request. Note that channel 4 is the cascade channel, so the request status of channel 4 is a logical OR of the request status for channels 0 through 3. 4 = Channel 0 5 = Channel 1 (5) 6 = Channel 2 (6) 7 = Channel 3 (7)
3:0	<b>Channel Terminal Count Status</b> — RO. When a channel reaches terminal count (TC), its status bit is set to 1. If TC has not been reached, the status bit is set to 0. Channel 4 is programmed for cascade, so the TC bit response for channel 4 is irrelevant: 0 = Channel 0 1 = Channel 1 (5) 2 = Channel 2 (6) 3 = Channel 3 (7)



## 10.2.6 DMA\_WRSMSK—DMA Write Single Mask Register (LPC I/F—D31:F0)

I/O Address: Ch. #0–3 = 0Ah;  
                   Ch. #4–7 = D4h  
 Default Value: 0000 01xx  
 Lockable: No

Attribute: WO  
 Size: 8-bit  
 Power Well: Core

Bit	Description
7:3	Reserved. Must be 0.
2	<b>Channel Mask Select</b> — WO. 0 = Enable DREQ for the selected channel. The channel is selected through bits [1:0]. Therefore, only one channel can be masked / unmasked at a time. 1 = Disable DREQ for the selected channel.
1:0	<b>DMA Channel Select</b> — WO. These bits select the DMA Channel Mode Register to program. 00 = Channel 0 (4) 01 = Channel 1 (5) 10 = Channel 2 (6) 11 = Channel 3 (7)



### 10.2.7 DMACH\_MODE—DMA Channel Mode Register (LPC I/F—D31:F0)

I/O Address:	Ch. #0–3 = 0Bh;	Attribute:	WO
	Ch. #4–7 = D6h	Size:	8-bit
Default Value:	0000 00xx	Power Well:	Core
Lockable:	No		

Bit	Description
7:6	<b>DMA Transfer Mode</b> — WO. Each DMA channel can be programmed in one of four different modes: 00 = Demand mode 01 = Single mode 10 = Reserved 11 = Cascade mode
5	<b>Address Increment/Decrement Select</b> — WO. This bit controls address increment/decrement during DMA transfers. 0 = Address increment. (default after part reset or Master Clear) 1 = Address decrement.
4	<b>Autoinitialize Enable</b> — WO. 0 = Autoinitialize feature is disabled and DMA transfers terminate on a terminal count. A part reset or Master Clear disables autoinitialization. 1 = DMA restores the Base Address and Count registers to the current registers following a terminal count (TC).
3:2	<b>DMA Transfer Type</b> — WO. These bits represent the direction of the DMA transfer. When the channel is programmed for cascade mode, (bits[7:6] = 11) the transfer type is irrelevant. 00 = Verify – No I/O or memory strobes generated 01 = Write – Data transferred from the I/O devices to memory 10 = Read – Data transferred from memory to the I/O device 11 = Invalid
1:0	<b>DMA Channel Select</b> — WO. These bits select the DMA Channel Mode Register that will be written by bits [7:2]. 00 = Channel 0 (4) 01 = Channel 1 (5) 10 = Channel 2 (6) 11 = Channel 3 (7)



## 10.2.8 DMA Clear Byte Pointer Register (LPC I/F—D31:F0)

I/O Address: Ch. #0–3 = 0Ch;  
 Ch. #4–7 = D8h  
 Attribute: WO  
 Default Value: xxxx xxxx  
 Size: 8-bit  
 Lockable: No  
 Power Well: Core

Bit	Description
7:0	<b>Clear Byte Pointer</b> — WO. No specific pattern. Command enabled with a write to the I/O port address. Writing to this register initializes the byte pointer flip/flop to a known state. It clears the internal latch used to address the upper or lower byte of the 16-bit Address and Word Count Registers. The latch is also cleared by part reset and by the Master Clear command. This command precedes the first access to a 16-bit DMA controller register. The first access to a 16-bit register will then access the significant byte, and the second access automatically accesses the most significant byte.

## 10.2.9 DMA Master Clear Register (LPC I/F—D31:F0)

I/O Address: Ch. #0–3 = 0Dh;  
 Ch. #4–7 = DAh  
 Attribute: WO  
 Default Value: xxxx xxxx  
 Size: 8-bit

Bit	Description
7:0	<b>Master Clear</b> — WO. No specific pattern. Enabled with a write to the port. This has the same effect as the hardware Reset. The Command, Status, Request, and Byte Pointer flip/flop registers are cleared and the Mask Register is set.

## 10.2.10 DMA\_CLMSK—DMA Clear Mask Register (LPC I/F—D31:F0)

I/O Address: Ch. #0–3 = 0Eh;  
 Ch. #4–7 = DCh  
 Attribute: WO  
 Default Value: xxxx xxxx  
 Size: 8-bit  
 Lockable: No  
 Power Well: Core

Bit	Description
7:0	<b>Clear Mask Register</b> — WO. No specific pattern. Command enabled with a write to the port.



### 10.2.11 DMA\_WRMSK—DMA Write All Mask Register (LPC I/F—D31:F0)

I/O Address: Ch. #0–3 = 0Fh;  
 Ch. #4–7 = DEh                      Attribute: R/W  
 Default Value: 0000 1111              Size: 8-bit  
 Lockable: No                              Power Well: Core

Bit	Description
7:4	Reserved. Must be 0.
3:0	<p><b>Channel Mask Bits</b> — R/W. This register permits all four channels to be simultaneously enabled/disabled instead of enabling/disabling each channel individually, as is the case with the Mask Register – Write Single Mask Bit. In addition, this register has a read path to allow the status of the channel mask bits to be read. A channel's mask bit is automatically set to 1 when the Current Byte/Word Count Register reaches terminal count (unless the channel is in auto-initialization mode). Setting the bit(s) to a 1 disables the corresponding DREQ(s). Setting the bit(s) to a 0 enables the corresponding DREQ(s). Bits [3:0] are set to 1 upon part reset or Master Clear. When read, bits [3:0] indicate the DMA channel [3:0] ([7:4]) mask status.</p> <p>Bit 0 = Channel 0 (4)1 = Masked, 0 = Not Masked            Bit 1 = Channel 1 (5)1 = Masked, 0 = Not Masked            Bit 2 = Channel 2 (6)1 = Masked, 0 = Not Masked            Bit 3 = Channel 3 (7)1 = Masked, 0 = Not Masked</p> <p><b>NOTE:</b> Disabling channel 4 also disables channels 0–3 due to the cascade of channel's 0 – 3 through channel 4.</p>

### 10.3 Timer I/O Registers (LPC I/F—D31:F0)

Port	Aliases	Register Name	Default Value	Type
40h	50h	Counter 0 Interval Time Status Byte Format	0XXXXXXb	RO
		Counter 0 Counter Access Port	Undefined	R/W
41h	51h	Counter 1 Interval Time Status Byte Format	0XXXXXXb	RO
		Counter 1 Counter Access Port	Undefined	R/W
42h	52h	Counter 2 Interval Time Status Byte Format	0XXXXXXb	RO
		Counter 2 Counter Access Port	Undefined	R/W
43h	53h	Timer Control Word	Undefined	WO
		Timer Control Word Register	XXXXXX0b	WO
		Counter Latch Command	X0h	WO







to 0. If both are latched, the first read operation from that counter returns the latched status. The next one or two reads, depending on whether the counter is programmed for one or two byte counts, returns the latched count. Subsequent reads return an unlatched count.

Bit	Description
7:6	<b>Read Back Command.</b> Must be 11 to select the Read Back Command
5	<b>Latch Count of Selected Counters.</b> 0 = Current count value of the selected counters will be latched 1 = Current count will not be latched
4	<b>Latch Status of Selected Counters.</b> 0 = Status of the selected counters will be latched 1 = Status will not be latched
3	<b>Counter 2 Select.</b> 1 = Counter 2 count and/or status will be latched
2	<b>Counter 1 Select.</b> 1 = Counter 1 count and/or status will be latched
1	<b>Counter 0 Select.</b> 1 = Counter 0 count and/or status will be latched.
0	Reserved. Must be 0.

**LTCH\_CMD—Counter Latch Command (LPC I/F—D31:F0)**

The Counter Latch Command latches the current count value. This command is used to insure that the count read from the counter is accurate. The count value is then read from each counter's count register through the Counter Ports Access Ports Register (40h for counter 0, 41h for counter 1, and 42h for counter 2). The count must be read according to the programmed format, i.e., if the counter is programmed for two byte counts, two bytes must be read. The two bytes do not have to be read one right after the other (read, write, or programming operations for other counters may be inserted between the reads). If a counter is latched once and then latched again before the count is read, the second Counter Latch Command is ignored.

Bit	Description
7:6	<b>Counter Selection.</b> These bits select the counter for latching. If "11" is written, then the write is interpreted as a read back command. 00 = Counter 0 01 = Counter 1 10 = Counter 2
5:4	<b>Counter Latch Command.</b> 00 = Selects the Counter Latch Command.
3:0	Reserved. Must be 0.



### 10.3.2 SBYTE\_FMT—Interval Timer Status Byte Format Register (LPC I/F—D31:F0)

I/O Address: Counter 0 = 40h,  
Counter 1 = 41h, Attribute: RO  
Counter 2 = 42h Size: 8 bits per counter  
Default Value: Bits[6:0] undefined, Bit 7=0

Each counter's status byte can be read following a Read Back Command. If latch status is chosen (bit 4=0, Read Back Command) as a read back option for a given counter, the next read from the counter's Counter Access Ports Register (40h for counter 0, 41h for counter 1, and 42h for counter 2) returns the status byte. The status byte returns the following:

Bit	Description
7	<b>Counter OUT Pin State</b> — RO. 0 = OUT pin of the counter is also a 0 1 = OUT pin of the counter is also a 1
6	<b>Count Register Status</b> — RO. This bit indicates when the last count written to the Count Register (CR) has been loaded into the counting element (CE). The exact time this happens depends on the counter mode, but until the count is loaded into the counting element (CE), the count value will be incorrect. 0 = Count has been transferred from CR to CE and is available for reading. 1 = Null Count. Count has not been transferred from CR to CE and is not yet available for reading.
5:4	<b>Read/Write Selection Status</b> — RO. These bits reflect the read/write selection made through bits[5:4] of the control register. The binary codes returned during the status read match the codes used to program the counter read/write selection. 00 = Counter Latch Command 01 = Read/Write Least Significant Byte (LSB) 10 = Read/Write Most Significant Byte (MSB) 11 = Read/Write LSB then MSB
3:1	<b>Mode Selection Status</b> — RO. These bits return the counter mode programming. The binary code returned matches the code used to program the counter mode, as listed under the bit function above. 000 = Mode 0 — Out signal on end of count (=0) 001 = Mode 1 — Hardware retriggerable one-shot x10 = Mode 2 — Rate generator (divide by n counter) x11 = Mode 3 — Square wave output 100 = Mode 4 — Software triggered strobe 101 = Mode 5 — Hardware triggered strobe
0	<b>Countdown Type Status</b> — RO. This bit reflects the current countdown type. 0 = Binary countdown 1 = Binary Coded Decimal (BCD) countdown.



### 10.3.3 Counter Access Ports Register (LPC I/F—D31:F0)

I/O Address: Counter 0 – 40h,  
 Counter 1 – 41h, Attribute: R/W  
 Counter 2 – 42h  
 Default Value: All bits undefined Size: 8 bit

Bit	Description
7:0	<b>Counter Port</b> — R/W. Each counter port address is used to program the 16-bit Count Register. The order of programming, either LSB only, MSB only, or LSB then MSB, is defined with the Interval Counter Control Register at port 43h. The counter port is also used to read the current count from the Count Register, and return the status of the counter programming following a Read Back Command.

## 10.4 8259 Interrupt Controller (PIC) Registers (LPC I/F—D31:F0)

### 10.4.1 Interrupt Controller I/O MAP (LPC I/F—D31:F0)

The interrupt controller registers are located at 20h and 21h for the master controller (IRQ 0–7), and at A0h and A1h for the slave controller (IRQ 8–13). These registers have multiple functions, depending upon the data written to them. [Table 10-3](#) shows the different register possibilities for each address.

**Table 10-3. PIC Registers (LPC I/F—D31:F0)**

Port	Aliases	Register Name	Default Value	Type
20h	24h, 28h, 2Ch, 30h, 34h, 38h, 3Ch	Master PIC ICW1 Init. Cmd Word 1	Undefined	WO
		Master PIC OCW2 Op Ctrl Word 2	001XXXXXb	WO
		Master PIC OCW3 Op Ctrl Word 3	X01XXX10b	WO
21h	25h, 29h, 2Dh, 31h, 35h, 39h, 3Dh	Master PIC ICW2 Init. Cmd Word 2	Undefined	WO
		Master PIC ICW3 Init. Cmd Word 3	Undefined	WO
		Master PIC ICW4 Init. Cmd Word 4	01h	WO
		Master PIC OCW1 Op Ctrl Word 1	00h	R/W
A0h	A4h, A8h, ACh, B0h, B4h, B8h, BCh	Slave PIC ICW1 Init. Cmd Word 1	Undefined	WO
		Slave PIC OCW2 Op Ctrl Word 2	001XXXXXb	WO
		Slave PIC OCW3 Op Ctrl Word 3	X01XXX10b	WO
A1h	A5h, A9h, ADh, B1h, B5h, B9h, BDh	Slave PIC ICW2 Init. Cmd Word 2	Undefined	WO
		Slave PIC ICW3 Init. Cmd Word 3	Undefined	WO
		Slave PIC ICW4 Init. Cmd Word 4	01h	WO
		Slave PIC OCW1 Op Ctrl Word 1	00h	R/W
4D0h	–	Master PIC Edge/Level Triggered	00h	R/W
4D1h	–	Slave PIC Edge/Level Triggered	00h	R/W

**Note:** Refer to note addressing active-low interrupt sources in 8259 Interrupt Controllers section ([Chapter 5.9](#)).



## 10.4.2 ICW1—Initialization Command Word 1 Register (LPC I/F—D31:F0)

Offset Address: Master Controller – 20h      Attribute:      WO  
 Slave Controller – A0h      Size:      8 bit /controller  
 Default Value: All bits undefined

A write to Initialization Command Word 1 starts the interrupt controller initialization sequence, during which the following occurs:

1. The Interrupt Mask register is cleared.
2. IRQ7 input is assigned priority 7.
3. The slave mode address is set to 7.
4. Special mask mode is cleared and Status Read is set to IRR.

Once this write occurs, the controller expects writes to ICW2, ICW3, and ICW4 to complete the initialization sequence.

Bit	Description
7:5	<b>ICW/OCW Select</b> — WO. These bits are MCS-85 specific, and not needed. 000 = Should be programmed to “000”
4	<b>ICW/OCW Select</b> — WO. 1 = This bit must be a 1 to select ICW1 and enable the ICW2, ICW3, and ICW4 sequence.
3	<b>Edge/Level Bank Select (LTIM)</b> — WO. Disabled. Replaced by the edge/level triggered control registers (ELCR, D31:F0:4D0h, D31:F0:4D1h).
2	ADI — WO. 0 = Ignored for the Intel® ICH7. Should be programmed to 0.
1	<b>Single or Cascade (SNGL)</b> — WO. 0 = Must be programmed to a 0 to indicate two controllers operating in cascade mode.
0	<b>ICW4 Write Required (IC4)</b> — WO. 1 = This bit must be programmed to a 1 to indicate that ICW4 needs to be programmed.



### 10.4.3 ICW2—Initialization Command Word 2 Register (LPC I/F—D31:F0)

Offset Address: Master Controller – 21h      Attribute:      WO  
 Slave Controller – A1h      Size:      8 bit /controller  
 Default Value: All bits undefined

ICW2 is used to initialize the interrupt controller with the five most significant bits of the interrupt vector address. The value programmed for bits[7:3] is used by the processor to define the base address in the interrupt vector table for the interrupt routines associated with each IRQ on the controller. Typical ISA ICW2 values are 08h for the master controller and 70h for the slave controller.

Bit	Description																											
7:3	<b>Interrupt Vector Base Address</b> — WO. Bits [7:3] define the base address in the interrupt vector table for the interrupt routines associated with each interrupt request level input.																											
2:0	<p><b>Interrupt Request Level</b> — WO. When writing ICW2, these bits should all be 0. During an interrupt acknowledge cycle, these bits are programmed by the interrupt controller with the interrupt to be serviced. This is combined with bits [7:3] to form the interrupt vector driven onto the data bus during the second INTA# cycle. The code is a three bit binary code:</p> <table border="1"> <thead> <tr> <th>Code</th> <th>Master Interrupt</th> <th>Slave Interrupt</th> </tr> </thead> <tbody> <tr> <td>000b</td> <td>IRQ0</td> <td>IRQ8</td> </tr> <tr> <td>001b</td> <td>IRQ1</td> <td>IRQ9</td> </tr> <tr> <td>010b</td> <td>IRQ2</td> <td>IRQ10</td> </tr> <tr> <td>011b</td> <td>IRQ3</td> <td>IRQ11</td> </tr> <tr> <td>100b</td> <td>IRQ4</td> <td>IRQ12</td> </tr> <tr> <td>101b</td> <td>IRQ5</td> <td>IRQ13</td> </tr> <tr> <td>110b</td> <td>IRQ6</td> <td>IRQ14</td> </tr> <tr> <td>111b</td> <td>IRQ7</td> <td>IRQ15</td> </tr> </tbody> </table>	Code	Master Interrupt	Slave Interrupt	000b	IRQ0	IRQ8	001b	IRQ1	IRQ9	010b	IRQ2	IRQ10	011b	IRQ3	IRQ11	100b	IRQ4	IRQ12	101b	IRQ5	IRQ13	110b	IRQ6	IRQ14	111b	IRQ7	IRQ15
Code	Master Interrupt	Slave Interrupt																										
000b	IRQ0	IRQ8																										
001b	IRQ1	IRQ9																										
010b	IRQ2	IRQ10																										
011b	IRQ3	IRQ11																										
100b	IRQ4	IRQ12																										
101b	IRQ5	IRQ13																										
110b	IRQ6	IRQ14																										
111b	IRQ7	IRQ15																										

### 10.4.4 ICW3—Master Controller Initialization Command Word 3 Register (LPC I/F—D31:F0)

Offset Address: 21h      Attribute:      WO  
 Default Value: All bits undefined      Size:      8 bits

Bit	Description
7:3	0 = These bits must be programmed to 0.
2	<p><b>Cascaded Interrupt Controller IRQ Connection</b> — WO. This bit indicates that the slave controller is cascaded on IRQ2. When IRQ8#–IRQ15 is asserted, it goes through the slave controller’s priority resolver. The slave controller’s INTR output onto IRQ2. IRQ2 then goes through the master controller’s priority solver. If it wins, the INTR signal is asserted to the processor, and the returning interrupt acknowledge returns the interrupt vector for the slave controller.</p> <p>1 = This bit must always be programmed to a 1.</p>
1:0	0 = These bits must be programmed to 0.





### 10.4.7 OCW1—Operational Control Word 1 (Interrupt Mask) Register (LPC I/F—D31:F0)

Offset Address: Master Controller – 021h    Attribute: R/W  
 Slave Controller – 0A1h    Size: 8 bits  
 Default Value: 00h

Bit	Description
7:0	<b>Interrupt Request Mask</b> — R/W. When a 1 is written to any bit in this register, the corresponding IRQ line is masked. When a 0 is written to any bit in this register, the corresponding IRQ mask bit is cleared, and interrupt requests will again be accepted by the controller. Masking IRQ2 on the master controller will also mask the interrupt requests from the slave controller.

### 10.4.8 OCW2—Operational Control Word 2 Register (LPC I/F—D31:F0)

Offset Address: Master Controller – 020h    Attribute: WO  
 Slave Controller – 0A0h    Size: 8 bits  
 Default Value: Bit[4:0]=undefined, Bit[7:5]=001

Following a part reset or ICW initialization, the controller enters the fully nested mode of operation. Non-specific EOI without rotation is the default. Both rotation mode and specific EOI mode are disabled following initialization.

Bit	Description																				
7:5	<b>Rotate and EOI Codes</b> (R, SL, EOI) — WO. These three bits control the Rotate and End of Interrupt modes and combinations of the two. 000 = Rotate in Auto EOI Mode (Clear) 001 = Non-specific EOI command 010 = No Operation 011 = *Specific EOI Command 100 = Rotate in Auto EOI Mode (Set) 101 = Rotate on Non-Specific EOI Command 110 = *Set Priority Command 111 = *Rotate on Specific EOI Command *L0 – L2 Are Used																				
4:3	<b>OCW2 Select</b> — WO. When selecting OCW2, bits 4:3 = "00"																				
2:0	<b>Interrupt Level Select</b> (L2, L1, L0) — WO. L2, L1, and L0 determine the interrupt level acted upon when the SL bit is active. A simple binary code, outlined below, selects the channel for the command to act upon. When the SL bit is inactive, these bits do not have a defined function; programming L2, L1 and L0 to 0 is sufficient in this case.																				
	<table border="0"> <thead> <tr> <th>Code</th> <th>Interrupt Level</th> <th>Code</th> <th>Interrupt Level</th> </tr> </thead> <tbody> <tr> <td>000b</td> <td>IRQ0/8</td> <td>000b</td> <td>IRQ4/12</td> </tr> <tr> <td>001b</td> <td>IRQ1/9</td> <td>001b</td> <td>IRQ5/13</td> </tr> <tr> <td>010b</td> <td>IRQ2/10</td> <td>010b</td> <td>IRQ6/14</td> </tr> <tr> <td>011b</td> <td>IRQ3/11</td> <td>011b</td> <td>IRQ7/15</td> </tr> </tbody> </table>	Code	Interrupt Level	Code	Interrupt Level	000b	IRQ0/8	000b	IRQ4/12	001b	IRQ1/9	001b	IRQ5/13	010b	IRQ2/10	010b	IRQ6/14	011b	IRQ3/11	011b	IRQ7/15
Code	Interrupt Level	Code	Interrupt Level																		
000b	IRQ0/8	000b	IRQ4/12																		
001b	IRQ1/9	001b	IRQ5/13																		
010b	IRQ2/10	010b	IRQ6/14																		
011b	IRQ3/11	011b	IRQ7/15																		





### 10.4.9 OCW3—Operational Control Word 3 Register (LPC I/F—D31:F0)

Offset Address: Master Controller – 020h    Attribute:            WO  
 Slave Controller – 0A0h            Size:                    8 bits  
 Default Value: Bit[6,0]=0, Bit[7,4:2]=undefined,  
 Bit[5,1]=1

Bit	Description
7	Reserved. Must be 0.
6	<b>Special Mask Mode (SMM)</b> — WO. 1 = The Special Mask Mode can be used by an interrupt service routine to dynamically alter the system priority structure while the routine is executing, through selective enabling/disabling of the other channel's mask bits. Bit 5, the ESMM bit, must be set for this bit to have any meaning.
5	<b>Enable Special Mask Mode (ESMM)</b> — WO. 0 = Disable. The SMM bit becomes a "don't care". 1 = Enable the SMM bit to set or reset the Special Mask Mode.
4:3	<b>OCW3 Select</b> — WO. When selecting OCW3, bits 4:3 = 01
2	<b>Poll Mode Command</b> — WO. 0 = Disable. Poll Command is not issued. 1 = Enable. The next I/O read to the interrupt controller is treated as an interrupt acknowledge cycle. An encoded byte is driven onto the data bus, representing the highest priority level requesting service.
1:0	<b>Register Read Command</b> — WO. These bits provide control for reading the In-Service Register (ISR) and the Interrupt Request Register (IRR). When bit 1=0, bit 0 will not affect the register read selection. When bit 1=1, bit 0 selects the register status returned following an OCW3 read. If bit 0=0, the IRR will be read. If bit 0=1, the ISR will be read. Following ICW initialization, the default OCW3 port address read will be "read IRR". To retain the current selection (read ISR or read IRR), always write a 0 to bit 1 when programming this register. The selected register can be read repeatedly without reprogramming OCW3. To select a new status register, OCW3 must be reprogrammed prior to attempting the read. 00 = No Action 01 = No Action 10 = Read IRQ Register 11 = Read IS Register





### 10.4.11 ELCR2—Slave Controller Edge/Level Triggered Register (LPC I/F—D31:F0)

Offset Address: 4D1h  
Default Value: 00h

Attribute: R/W  
Size: 8 bits

In edge mode, (bit[x] = 0), the interrupt is recognized by a low to high transition. In level mode (bit[x] = 1), the interrupt is recognized by a high level. The real time clock, IRQ8#, and the floating point error interrupt, IRQ13, cannot be programmed for level mode.

Bit	Description
7	<b>IRQ15 ECL</b> — R/W. 0 = Edge 1 = Level
6	<b>IRQ14 ECL</b> — R/W. 0 = Edge 1 = Level
5	Reserved. Must be 0.
4	<b>IRQ12 ECL</b> — R/W. 0 = Edge 1 = Level
3	<b>IRQ11 ECL</b> — R/W. 0 = Edge 1 = Level
2	<b>IRQ10 ECL</b> — R/W. 0 = Edge 1 = Level
1	<b>IRQ9 ECL</b> — R/W. 0 = Edge 1 = Level
0	Reserved. Must be 0.



## 10.5 Advanced Programmable Interrupt Controller (APIC) (D31:F0)

### 10.5.1 APIC Register Map (LPC I/F—D31:F0)

The APIC is accessed via an indirect addressing scheme. Two registers are visible by software for manipulation of most of the APIC registers. These registers are mapped into memory space. The registers are shown in [Table 10-4](#).

**Table 10-4. APIC Direct Registers (LPC I/F—D31:F0)**

Address	Mnemonic	Register Name	Size	Type
FECO_0000h	IND	Index	8 bits	R/W
FECO_0010h	DAT	Data	32 bits	R/W
FECO_0040h	EOIR	EOI	32 bits	WO

[Table 10-5](#) lists the registers which can be accessed within the APIC via the Index Register. When accessing these registers, accesses must be done one DWord at a time. For example, software should not access byte 2 from the Data register before accessing bytes 0 and 1. The hardware will not attempt to recover from a bad programming model in this case.

**Table 10-5. APIC Indirect Registers (LPC I/F—D31:F0)**

Index	Mnemonic	Register Name	Size	Type
00	ID	Identification	32 bits	R/W
01	VER	Version	32 bits	RO
02–0F	—	Reserved	—	RO
10–11	REDIR_TBL0	Redirection Table 0	64 bits	R/W, RO
12–13	REDIR_TBL1	Redirection Table 1	64 bits	R/W, RO
...	...	...	...	...
3E–3F	REDIR_TBL23	Redirection Table 23	64 bits	R/W, RO
40–FF	—	Reserved	—	RO

### 10.5.2 IND—Index Register (LPC I/F—D31:F0)

Memory Address FEC0\_0000h                      Attribute:                      R/W  
 Default Value: 00h                                      Size:                                      8 bits

The Index Register will select which APIC indirect register to be manipulated by software. The selector values for the indirect registers are listed in [Table 10-5](#). Software will program this register to select the desired APIC internal register

Bit	Description
7:0	<b>APIC Index</b> — R/W. This is an 8-bit pointer into the I/O APIC register table.



### 10.5.3 DAT—Data Register (LPC I/F—D31:F0)

Memory Address FEC0\_0010h                      Attribute:              R/W  
 Default Value:    00000000h                      Size:                      32 bits

This is a 32-bit register specifying the data to be read or written to the register pointed to by the Index register. This register can only be accessed in DWord quantities.

Bit	Description
7:0	<b>APIC Data</b> — R/W. This is a 32-bit register for the data to be read or written to the APIC indirect register (Figure 10-5) pointed to by the Index register (Memory Address FEC0_0000h).

### 10.5.4 EOIR—EOI Register (LPC I/F—D31:F0)

Memory Address FEC0h\_0040h                      Attribute:              WO  
 Default Value:    N/A                                      Size:                      32 bits

The EOI register is present to provide a mechanism to maintain the level triggered semantics for level-triggered interrupts issued on the parallel bus.

When a write is issued to this register, the I/O APIC will check the lower 8 bits written to this register, and compare it with the vector field for each entry in the I/O Redirection Table. When a match is found, the Remote\_IRR bit (Index Offset 10h, bit 14) for that I/O Redirection Entry will be cleared.

**Note:** If multiple I/O Redirection entries, for any reason, assign the same vector for more than one interrupt input, each of those entries will have the Remote\_IRR bit reset to 0. The interrupt which was prematurely reset will not be lost because if its input remained active when the Remote\_IRR bit is cleared, the interrupt will be reissued and serviced at a later time. Note: Only bits 7:0 are actually used. Bits 31:8 are ignored by the ICH7.

**Note:** To provide for future expansion, the processor should always write a value of 0 to Bits 31:8.

Bit	Description
31:8	Reserved. To provide for future expansion, the processor should always write a value of 0 to Bits 31:8.
7:0	<b>Redirection Entry Clear</b> — WO. When a write is issued to this register, the I/O APIC will check this field, and compare it with the vector field for each entry in the I/O Redirection Table. When a match is found, the Remote_IRR bit for that I/O Redirection Entry will be cleared.





## 10.5.7 REDIR\_TBL—Redirection Table (LPC I/F—D31:F0)

Index Offset:	10h–11h (vector 0) through 3E–3Fh (vector 23)	Attribute: R/W, RO
Default Value:	Bit 16 = 1, . All other bits undefined	Size: 64 bits each, (accessed as two 32 bit quantities)

The Redirection Table has a dedicated entry for each interrupt input pin. The information in the Redirection Table is used to translate the interrupt manifestation on the corresponding interrupt pin into an APIC message.

The APIC will respond to an edge triggered interrupt as long as the interrupt is held until after the acknowledge cycle has begun. Once the interrupt is detected, a delivery status bit internally to the I/O APIC is set. The state machine will step ahead and wait for an acknowledgment from the APIC unit that the interrupt message was sent. Only then will the I/O APIC be able to recognize a new edge on that interrupt pin. That new edge will only result in a new invocation of the handler if its acceptance by the destination APIC causes the Interrupt Request Register bit to go from 0 to 1. (In other words, if the interrupt was not already pending at the destination.)

Bit	Description
63:56	<b>Destination</b> — R/W. If bit 11 of this entry is 0 (Physical), then bits 59:56 specifies an APIC ID. In this case, bits 63:59 should be programmed by software to 0. If bit 11 of this entry is 1 (Logical), then bits 63:56 specify the logical destination address of a set of processors.
55:48	<b>Extended Destination ID (EDID)</b> — RO. These bits are sent to a local APIC only when in Processor System Bus mode. They become bits 11:4 of the address.
47:17	Reserved
16	<b>Mask</b> — R/W. 0 = Not masked: An edge or level on this interrupt pin results in the delivery of the interrupt to the destination. 1 = Masked: Interrupts are not delivered nor held pending. Setting this bit after the interrupt is accepted by a local APIC has no effect on that interrupt. This behavior is identical to the device withdrawing the interrupt before it is posted to the processor. It is software's responsibility to deal with the case where the mask bit is set after the interrupt message has been accepted by a local APIC unit but before the interrupt is dispensed to the processor.
15	<b>Trigger Mode</b> — R/W. This field indicates the type of signal on the interrupt pin that triggers an interrupt. 0 = Edge triggered. 1 = Level triggered.
14	<b>Remote IRR</b> — R/W. This bit is used for level triggered interrupts; its meaning is undefined for edge triggered interrupts. 0 = Reset when an EOI message is received from a local APIC. 1 = Set when Local APIC/s accept the level interrupt sent by the I/O APIC.
13	<b>Interrupt Input Pin Polarity</b> — R/W. This bit specifies the polarity of each interrupt signal connected to the interrupt pins. 0 = Active high. 1 = Active low.
12	<b>Delivery Status</b> — RO. This field contains the current status of the delivery of this interrupt. Writes to this bit have no effect. 0 = Idle. No activity for this interrupt. 1 = Pending. Interrupt has been injected, but delivery is not complete.



Bit	Description
11	<b>Destination Mode</b> — R/W. This field determines the interpretation of the Destination field. 0 = Physical. Destination APIC ID is identified by bits 59:56. 1 = Logical. Destinations are identified by matching bit 63:56 with the Logical Destination in the Destination Format Register and Logical Destination Register in each Local APIC.
10:8	<b>Delivery Mode</b> — R/W. This field specifies how the APICs listed in the destination field should act upon reception of this signal. Certain Delivery Modes will only operate as intended when used in conjunction with a specific trigger mode. These encodings are listed in the note below:
7:0	<b>Vector</b> — R/W. This field contains the interrupt vector for this interrupt. Values range between 10h and FEh.

**NOTE:** Delivery Mode encoding:

- 000 = Fixed. Deliver the signal on the INTR signal of all processor cores listed in the destination. Trigger Mode can be edge or level.
- 001 = Lowest Priority. Deliver the signal on the INTR signal of the processor core that is executing at the lowest priority among all the processors listed in the specified destination. Trigger Mode can be edge or level.
- 010 = SMI (System Management Interrupt). Requires the interrupt to be programmed as edge triggered. The vector information is ignored but must be programmed to all 0's for future compatibility: **not supported**
- 011 = Reserved
- 100 = NMI. Deliver the signal on the NMI signal of all processor cores listed in the destination. Vector information is ignored. NMI is treated as an edge triggered interrupt even if it is programmed as level triggered. For proper operation this redirection table entry must be programmed to edge triggered. The NMI delivery mode does not set the RIRR bit. If the redirection table is incorrectly set to level, the loop count will continue counting through the redirection table addresses. Once the count for the NMI pin is reached again, the interrupt will be sent again: **not supported**
- 101 = INIT. Deliver the signal to all processor cores listed in the destination by asserting the INIT signal. All addressed local APICs will assume their INIT state. INIT is always treated as an edge triggered interrupt even if programmed as level triggered. For proper operation this redirection table entry must be programmed to edge triggered. The INIT delivery mode does not set the RIRR bit. If the redirection table is incorrectly set to level, the loop count will continue counting through the redirection table addresses. Once the count for the INIT pin is reached again, the interrupt will be sent again: **not supported**
- 110 = Reserved
- 111 = ExtINT. Deliver the signal to the INTR signal of all processor cores listed in the destination as an interrupt that originated in an externally connected 8259A compatible interrupt controller. The INTA cycle that corresponds to this ExtINT delivery will be routed to the external controller that is expected to supply the vector. Requires the interrupt to be programmed as edge triggered.





## 10.6 Real Time Clock Registers (LPC I/F—D31:F0)

### 10.6.1 I/O Register Address Map (LPC I/F—D31:F0)

The RTC internal registers and RAM are organized as two banks of 128 bytes each, called the standard and extended banks. The first 14 bytes of the standard bank contain the RTC time and date information along with four registers, A–D, that are used for configuration of the RTC. The extended bank contains a full 128 bytes of battery backed SRAM, and will be accessible even when the RTC module is disabled (via the RTC configuration register). Registers A–D do not physically exist in the RAM.

All data movement between the host processor and the real-time clock is done through registers mapped to the standard I/O space. The register map appears in [Table 10-6](#).

**Table 10-6. RTC I/O Registers (LPC I/F—D31:F0)**

I/O Locations	If U128E bit = 0	Function
70h and 74h	Also alias to 72h and 76h	Real-Time Clock (Standard RAM) Index Register
71h and 75h	Also alias to 73h and 77h	Real-Time Clock (Standard RAM) Target Register
72h and 76h		Extended RAM Index Register (if enabled)
73h and 77h		Extended RAM Target Register (if enabled)

**NOTES:**

1. I/O locations 70h and 71h are the standard legacy location for the real-time clock. The map for this bank is shown in [Table 10-7](#). Locations 72h and 73h are for accessing the extended RAM. The extended RAM bank is also accessed using an indexed scheme. I/O address 72h is used as the address pointer and I/O address 73h is used as the data register. Index addresses above 127h are not valid. If the extended RAM is not needed, it may be disabled.
2. Software must preserve the value of bit 7 at I/O addresses 70h and 74h. When writing to this address, software must first read the value, and then write the same value for bit 7 during the sequential address write. Note that port 70h is not directly readable. The only way to read this register is through Alt Access mode. Although RTC Index bits 6:0 are readable from port 74h, bit 7 will always return 0. If the NMI# enable is not changed during normal operation, software can alternatively read this bit once and then retain the value for all subsequent writes to port 70h.



### 10.6.2 Indexed Registers (LPC I/F—D31:F0)

The RTC contains two sets of indexed registers that are accessed using the two separate Index and Target registers (70/71h or 72/73h), as shown in [Table 10-7](#).

**Table 10-7. RTC (Standard) RAM Bank (LPC I/F—D31:F0)**

Index	Name
00h	Seconds
01h	Seconds Alarm
02h	Minutes
03h	Minutes Alarm
04h	Hours
05h	Hours Alarm
06h	Day of Week
07h	Day of Month
08h	Month
09h	Year
0Ah	Register A
0Bh	Register B
0Ch	Register C
0Dh	Register D
0Eh–7Fh	114 Bytes of User RAM



### 10.6.2.1 RTC\_REGA—Register A (LPC I/F—D31:F0)

RTC Index:	0A	Attribute:	R/W
Default Value:	Undefined	Size:	8-bit
Lockable:	No	Power Well:	RTC

This register is used for general configuration of the RTC functions. None of the bits are affected by RSMRST# or any other Intel® ICH7 reset signal.

Bit	Description
7	<p><b>Update In Progress (UIP)</b> — R/W. This bit may be monitored as a status flag.</p> <p>0 = The update cycle will not start for at least 488 <math>\mu</math>s. The time, calendar, and alarm information in RAM is always available when the UIP bit is 0.</p> <p>1 = The update is soon to occur or is in progress.</p>
6:4	<p><b>Division Chain Select (DV[2:0])</b> — R/W. These three bits control the divider chain for the oscillator, and are not affected by RSMRST# or any other reset signal. DV2 corresponds to bit 6.</p> <p>010 = Normal Operation</p> <p>11X = Divider Reset</p> <p>101 = Bypass 15 stages (test mode only)</p> <p>100 = Bypass 10 stages (test mode only)</p> <p>011 = Bypass 5 stages (test mode only)</p> <p>001 = Invalid</p> <p>000 = Invalid</p>
3:0	<p><b>Rate Select (RS[3:0])</b> — R/W. Selects one of 13 taps of the 15 stage divider chain. The selected tap can generate a periodic interrupt if the PIE bit is set in Register B. Otherwise this tap will set the PF flag of Register C. If the periodic interrupt is not to be used, these bits should all be set to 0. RS3 corresponds to bit 3.</p> <p>0000 = Interrupt does not toggle</p> <p>0001 = 3.90625 ms</p> <p>0010 = 7.8125 ms</p> <p>0011 = 122.070 <math>\mu</math>s</p> <p>0100 = 244.141 <math>\mu</math>s</p> <p>0101 = 488.281 <math>\mu</math>s</p> <p>0110 = 976.5625 <math>\mu</math>s</p> <p>0111 = 1.953125 ms</p> <p>1000 = 3.90625 ms</p> <p>1001 = 7.8125 ms</p> <p>1010 = 15.625 ms</p> <p>1011 = 31.25 ms</p> <p>1100 = 62.5 ms</p> <p>1101 = 125 ms</p> <p>1110 = 250 ms</p> <p>1111 = 500 ms</p>



### 10.6.2.2 RTC\_REGB—Register B (General Configuration) (LPC I/F—D31:F0)

RTC Index: 0Bh Attribute: R/W  
 Default Value: U0U0UUU (U: Undefined) Size: 8-bit  
 Lockable: No Power Well: RTC

Bit	Description
7	<p><b>Update Cycle Inhibit (SET)</b> — R/W. Enables/Inhibits the update cycles. This bit is not affected by RSMRST# nor any other reset signal.</p> <p>0 = Update cycle occurs normally once each second.            1 = A current update cycle will abort and subsequent update cycles will not occur until SET is returned to 0. When set is one, the BIOS may initialize time and calendar bytes safely.</p> <p><b>NOTE:</b> This bit should be set then cleared early in BIOS POST after each powerup directly after coin-cell battery insertion.</p>
6	<p><b>Periodic Interrupt Enable (PIE)</b> — R/W. This bit is cleared by RSMRST#, but not on any other reset.</p> <p>0 = Disable.            1 = Enable. Allows an interrupt to occur with a time base set with the RS bits of register A.</p>
5	<p><b>Alarm Interrupt Enable (AIE)</b> — R/W. This bit is cleared by RTCRST#, but not on any other reset.</p> <p>0 = Disable.            1 = Enable. Allows an interrupt to occur when the AF is set by an alarm match from the update cycle. An alarm can occur once a second, one an hour, once a day, or one a month.</p>
4	<p><b>Update-Ended Interrupt Enable (UIE)</b> — R/W. This bit is cleared by RSMRST#, but not on any other reset.</p> <p>0 = Disable.            1 = Enable. Allows an interrupt to occur when the update cycle ends.</p>
3	<p><b>Square Wave Enable (SQWE)</b> — R/W. This bit serves no function in the Intel® ICH7. It is left in this register bank to provide compatibility with the Motorola 146818B. The ICH7 has no SQW pin. This bit is cleared by RSMRST#, but not on any other reset.</p>



Bit	Description
2	<b>Data Mode (DM)</b> — R/W. This bit specifies either binary or BCD data representation. This bit is not affected by RSMRST# nor any other reset signal. 0 = BCD 1 = Binary
1	<b>Hour Format (HOURFORM)</b> — R/W. This bit indicates the hour byte format. This bit is not affected by RSMRST# nor any other reset signal. 0 = Twelve-hour mode. In twelve-hour mode, the seventh bit represents AM as 0 and PM as one. 1 = Twenty-four hour mode.
0	<b>Daylight Savings Enable (DSE)</b> — R/W. This bit triggers two special hour updates per year. The days for the hour adjustment are those specified in United States federal law as of 1987, which is different than previous years. This bit is not affected by RSMRST# nor any other reset signal. 0 = Daylight Savings Time updates do not occur. 1 = a) Update on the first Sunday in April, where time increments from 1:59:59 AM to 3:00:00 AM. b) Update on the last Sunday in October when the time first reaches 1:59:59 AM, it is changed to 1:00:00 AM. The time must increment normally for at least two update cycles (seconds) previous to these conditions for the time change to occur properly.

### 10.6.2.3 RTC\_REGC—Register C (Flag Register) (LPC I/F—D31:F0)

RTC Index:	0Ch	Attribute:	RO
Default Value:	00U00000 (U: Undefined)	Size:	8-bit
Lockable:	No	Power Well:	RTC

Writes to Register C have no effect.

Bit	Description
7	<b>Interrupt Request Flag (IRQF)</b> — RO. $IRQF = (PF * PIE) + (AF * AIE) + (UF * UFE)$ . This bit also causes the RTC Interrupt to be asserted. This bit is cleared upon RSMRST# or a read of Register C.
6	<b>Periodic Interrupt Flag (PF)</b> — RO. This bit is cleared upon RSMRST# or a read of Register C. 0 = If no taps are specified via the RS bits in Register A, this flag will not be set. 1 = Periodic interrupt Flag will be 1 when the tap specified by the RS bits of register A is 1.
5	<b>Alarm Flag (AF)</b> — RO. 0 = This bit is cleared upon RTCRST# or a read of Register C. 1 = Alarm Flag will be set after all Alarm values match the current time.
4	<b>Update-Ended Flag (UF)</b> — RO. 0 = The bit is cleared upon RSMRST# or a read of Register C. 1 = Set immediately following an update cycle for each second.
3:0	Reserved. Will always report 0.



### 10.6.2.4 RTC\_REGD—Register D (Flag Register) (LPC I/F—D31:F0)

RTC Index: 0Dh Attribute: R/W  
Default Value: 10UUUUUU (U: Undefined) Size: 8-bit  
Lockable: No Power Well: RTC

Bit	Description
7	<b>Valid RAM and Time Bit (VRT)</b> — R/W. 0 = This bit should always be written as a 0 for write cycle, however it will return a 1 for read cycles. 1 = This bit is hardwired to 1 in the RTC power well.
6	Reserved. This bit always returns a 0 and should be set to 0 for write cycles.
5:0	<b>Date Alarm</b> — R/W. These bits store the date of month alarm value. If set to 000000b, then a don't care state is assumed. The host must configure the date alarm for these bits to do anything, yet they can be written at any time. If the date alarm is not enabled, these bits will return 0's to mimic the functionality of the Motorola 146818B. These bits are not affected by any reset assertion.



## 10.7 Processor Interface Registers (LPC I/F—D31:F0)

Table 10-8 is the register address map for the processor interface registers.

**Table 10-8. Processor Interface PCI Register Address Map (LPC I/F—D31:F0)**

Offset	Mnemonic	Register Name	Default	Type
61h	NMI_SC	NMI Status and Control	00h	R/W, RO
70h	NMI_EN	NMI Enable	80h	R/W (special)
92h	PORT92	Fast A20 and Init	00h	R/W
F0h	COPROC_ERR	Coprocessor Error	00h	R/W
CF9h	RST_CNT	Reset Control	00h	R/W

### 10.7.1 NMI\_SC—NMI Status and Control Register (LPC I/F—D31:F0)

I/O Address:	61h	Attribute:	R/W, RO
Default Value:	00h	Size:	8-bit
Lockable:	No	Power Well:	Core

Bit	Description
7	<p><b>SERR# NMI Source Status (SERR#_NMI_STS)</b> — RO. 1 = Bit is set if a PCI agent detected a system error and pulses the PCI SERR# line and if bit 2 (PCI_SERR_EN) is cleared. This interrupt source is enabled by setting bit 2 to 0. To reset the interrupt, set bit 2 to 1 and then set it to 0. When writing to port 61h, this bit must be 0.</p> <p><b>NOTE:</b> This bit is set by any of the Intel® ICH7 internal sources of SERR; this includes SERR assertions forwarded from the secondary PCI bus, errors on a PCI Express* port, or other internal functions that generate SERR#.</p>
6	<p><b>IOCHK# NMI Source Status (IOCHK_NMI_STS)</b> — RO. 1 = Bit is set if an LPC agent (via SERIRQ) asserted IOCHK# and if bit 3 (IOCHK_NMI_EN) is cleared. This interrupt source is enabled by setting bit 3 to 0. To reset the interrupt, set bit 3 to 1 and then set it to 0. When writing to port 61h, this bit must be a 0.</p>
5	<p><b>Timer Counter 2 OUT Status (TMR2_OUT_STS)</b> — RO. This bit reflects the current state of the 8254 counter 2 output. Counter 2 must be programmed following any PCI reset for this bit to have a determinate value. When writing to port 61h, this bit must be a 0.</p>
4	<p><b>Refresh Cycle Toggle (REF_TOGGLE)</b> — RO. This signal toggles from either 0 to 1 or 1 to 0 at a rate that is equivalent to when refresh cycles would occur. When writing to port 61h, this bit must be a 0.</p>
3	<p><b>IOCHK# NMI Enable (IOCHK_NMI_EN)</b> — R/W. 0 = Enabled. 1 = Disabled and cleared.</p>







### 10.7.4 COPROC\_ERR—Coprocessor Error Register (LPC I/F—D31:F0)

I/O Address: F0h Attribute: R/W  
 Default Value: 00h Size: 8-bits  
 Lockable: No Power Well: Core

Bits	Description
7:0	<b>Coprocessor Error (COPROC_ERR)</b> — R/W. Any value written to this register will cause IGNNE# to go active, if FERR# had generated an internal IRQ13. For FERR# to generate an internal IRQ13, the COPROC_ERR_EN bit (Device 31:Function 0, Offset D0, Bit 13) must be 1. Reads to this register always return 00h.

### 10.7.5 RST\_CNT—Reset Control Register (LPC I/F—D31:F0)

I/O Address: CF9h Attribute: R/W  
 Default Value: 00h Size: 8-bit  
 Lockable: No Power Well: Core

Bit	Description
7:4	Reserved
3	<b>Full Reset (FULL_RST)</b> — R/W. This bit is used to determine the states of SLP_S3#, SLP_S4#, and SLP_S5# after a CF9 hard reset (SYS_RST = 1 and RST_CPU is set to 1), after PWROK going low (with RSMRST# high), or after two TCO timeouts. 0 = Intel® ICH7 will keep SLP_S3#, SLP_S4# and SLP_S5# high. 1 = ICH7 will drive SLP_S3#, SLP_S4# and SLP_S5# low for 3 – 5 seconds.  <b>NOTE:</b> When this bit is set, it also causes the full power cycle (SLP_S3/4/5# assertion) in response to SYSRESET#, PWROK#, and Watchdog timer reset sources.
2	<b>Reset CPU (RST_CPU)</b> — R/W. When this bit transitions from a 0 to a 1, it initiates a hard or soft reset, as determined by the SYS_RST bit (bit 1 of this register).
1	<b>System Reset (SYS_RST)</b> — R/W. This bit is used to determine a hard or soft reset to the processor. 0 = When RST_CPU bit goes from 0 to 1, the ICH7 performs a soft reset by activating INIT# for 16 PCI clocks. 1 = When RST_CPU bit goes from 0 to 1, the ICH7 performs a hard reset by activating PLTRST# and SUS_STAT# active for about 5-6 milliseconds, however the SLP_S3#, SLP_S4# and SLP_S5# will NOT go active. The ICH7 main power well is reset when this bit is 1. It also resets the resume well bits (except for those noted throughout the datasheet).
0	Reserved



## 10.8 Power Management Registers (PM—D31:F0)

The power management registers are distributed within the PCI Device 31: Function 0 space, as well as a separate I/O range. Each register is described below. Unless otherwise indicate, bits are in the main (core) power well.

Bits not explicitly defined in each register are assumed to be reserved. When writing to a reserved bit, the value should always be 0. Software should not attempt to use the value read from a reserved bit, as it may not be consistently 1 or 0.

### 10.8.1 Power Management PCI Configuration Registers (PM—D31:F0)

Table 10-9 shows a small part of the configuration space for PCI Device 31: Function 0. It includes only those registers dedicated for power management. Some of the registers are only used for Legacy Power management schemes.

**Table 10-9. Power Management PCI Register Address Map (PM—D31:F0)**

Offset	Mnemonic	Register Name	Default	Type
A0h	GEN_PMCON_1	General Power Management Configuration 1	0000h	R/W, RO, R/WO
A2h	GEN_PMCON_2	General Power Management Configuration 2	00h	R/W, R/WC
A4h	GEN_PMCON_3	General Power Management Configuration 3	00h	R/W, R/WC
A9h	Cx-STATE_CNF	Cx State Configuration (Mobile/Ultra Mobile Only).	00h	R/W
AAh	C4-TIMING_CNT	C4 Timing Control (Mobile/Ultra Mobile Only).	00h	R/W
ABh	BM_BREAK_EN	BM_BREAK_EN	00h	R/W
ADh	MSC_FUN	Miscellaneous Functionality	00h	R/W
B0h	EL_STS	Intel® Quick Resume Technology Status Register (Digital Home Only)	00h	R/WC, RO
B1h-B2h	EL_CNTL1	Intel Quick Resume Technology Control 1 Register (Digital Home Only)	F000h	R/W, RO, WO
B3h	EL_CNTL2	Intel Quick Resume Technology Control 2 Register (Digital Home Only)	00h	R/W, RO
B8–BBh	GPI_ROUT	GPI Route Control	00000000h	R/W





Bit	Description
3 (Mobile/ Ultra Mobile Only)	<b>Intel SpeedStep Enable (SS_EN)</b> — R/W. 0 = Intel SpeedStep technology logic is disabled and the SS_CNT register will not be visible (reads to SS_CNT will return 00h and writes will have no effect). 1 = Intel SpeedStep technology logic is enabled.
2 (Mobile/ Ultra Mobile Only)	<b>PCI CLKRUN# Enable (CLKRUN_EN)</b> — R/W. 0 = Disable. Intel® ICH7-M/ICH7-U drives the CLKRUN# signal low. 1 = Enable CLKRUN# logic to control the system PCI clock via the CLKRUN# and STP_PCI# signals.  <b>NOTE:</b> when the SLP_EN# bit is set, the ICH7 drives the CLKRUN# signal low regardless of the state of the CLKRUN_EN bit. This ensures that the PCI and LPC clocks continue running during a transition to a sleep state.
1:0	<b>Periodic SMI# Rate Select (PER_SMI_SEL)</b> — R/W. Set by software to control the rate at which periodic SMI# is generated. 00 = 1 minute 01 = 32 seconds 10 = 16 seconds 11 = 8 seconds

### 10.8.1.2 GEN\_PMCON\_2—General PM Configuration 2 Register (PM—D31:F0)

Offset Address:	A2h	Attribute:	R/W, R/WC
Default Value:	00h	Size:	8-bit
Lockable:	No	Usage:	ACPI, Legacy
		Power Well:	Resume

Bit	Description
7	<b>DRAM Initialization Bit</b> — R/W. This bit does not effect hardware functionality in any way. BIOS is expected to set this bit prior to starting the DRAM initialization sequence and to clear this bit after completing the DRAM initialization sequence. BIOS can detect that a DRAM initialization sequence was interrupted by a reset by reading this bit during the boot sequence. <ul style="list-style-type: none"> <li>If the bit is 1, then the DRAM initialization was interrupted.</li> <li>This bit is reset by the assertion of the RSMRST# pin.</li> </ul>
6:5	<b>CPU PLL Lock Time (CPLT)</b> — R/W. This field indicates the amount of time that the processor needs to lock its PLLs. This is used wherever timing t270 (Chapter 23) applies. 00 = min 30.7 μs (Default) 01 = min 61.4 μs 10 = min 122.8 μs 11 = min 245.6 μs  It is the responsibility of the BIOS to program the correct value in this field prior to the first transition to C3 or C4 states (or performing Intel SpeedStep® technology transitions).  <b>NOTE:</b> The new DPSP-LP-TO-SLP bits (D31:F0:AAh, bits 1:0) act as an override to these bits. <b>NOTE:</b> These bits are not cleared by any type of reset except RSMRST# or a CF9 write



Bit	Description
4	<p><b>System Reset Status (SRS)</b> — R/WC. Software clears this bit by writing a 1 to it.</p> <p>0 = SYS_RESET# button Not pressed. 1 = ICH7 sets this bit when the SYS_RESET# button is pressed. BIOS is expected to read this bit and clear it, if it is set.</p> <p><b>NOTE:</b> This bit is also reset by RSMRST# and CF9h resets.</p>
3	<p><b>CPU Thermal Trip Status (CTS)</b> — R/WC.</p> <p>0 = Software clears this bit by writing a 1 to it. 1 = This bit is set when PLTRST# is inactive and THRMTRIP# goes active while the system is in an S0 or S1 state.</p> <p><b>NOTES:</b></p> <ol style="list-style-type: none"> <li>This bit is also reset by RSMRST#, and CF9h resets. It is not reset by the shutdown and reboot associated with the CPUTHRMTRIP# event.</li> <li>The CF9h reset in the description refers to CF9h type core well reset which includes SYS_RST#, PWROK/VRMPWRGD low, SMBus hard reset, TCO Timeout. This type of reset will clear CTS bit.</li> </ol>
2	<p><b>Minimum SLP_S4# Assertion Width Violation Status</b> — R/WC.</p> <p>0 = Software clears this bit by writing a 1 to it. 1 = Hardware sets this bit when the SLP_S4# assertion width is less than the time programmed in the SLP_S4# Minimum Assertion Width field (D31:F0:Offset A4h:bits 5:4). The ICH7 begins the timer when SLP_S4# is asserted during S4/S5 entry, or when the RSMRST# input is deasserted during G3 exit. Note that this bit is functional regardless of the value in the SLP_S4# Assertion Stretch Enable (D31:F0:Offset A4h:bit 3).</p> <p><b>NOTE:</b> This bit is reset by the assertion of the RSMRST# pin, but can be set in some cases before the default value is readable.</p>
1	<p><b>CPU Power Failure (CPUPWR_FLR)</b> — R/WC.</p> <p>0 = Software (typically BIOS) clears this bit by writing a 0 to it. 1 = Indicates that the VRMPWRGD signal from the processor's VRM went low while the system was in an S0 or S1 state.</p> <p><b>NOTE:</b> VRMPWRGD is sampled using the RTC clock. Therefore, low times that are less than one RTC clock period may not be detected by the ICH7.</p>
0	<p><b>PWROK Failure (PWROK_FLR)</b> — R/WC.</p> <p>0 = Software clears this bit by writing a 1 to it, or when the system goes into a G3 state. 1 = This bit will be set any time PWROK goes low, when the system was in S0, or S1 state. The bit will be cleared only by software by writing a 1 to this bit or when the system goes to a G3 state.</p> <p><b>NOTE:</b> See <a href="#">Chapter 5.14.11.3</a> for more details about the PWROK pin functionality. <b>NOTE:</b> In the case of true PWROK failure, PWROK will go low first before the VRMPWRGD.</p>

**NOTE:** VRMPWRGD is sampled using the RTC clock. Therefore, low times that are less than one RTC clock period may not be detected by the ICH7.



### 10.8.1.3 GEN\_PMCON\_3—General PM Configuration 3 Register (PM—D31:F0)

Offset Address:	A4h	Attribute:	R/W, R/WC
Default Value:	00h	Size:	8-bit
Lockable:	No	Usage:	ACPI, Legacy
		Power Well:	RTC

Bit	Description
7:6	<p><b>SWSMI_RATE_SEL</b> — R/W. This field indicates when the SWSMI timer will time out.</p> <p>Valid values are:</p> <p>00 = 1.5 ms ± 0.6 ms            01 = 16 ms ± 4 ms            10 = 32 ms ± 4 ms            11 = 64 ms ± 4 ms</p> <p>These bits are not cleared by any type of reset except RTCRST#.</p>
5:4	<p><b>SLP_S4# Minimum Assertion Width</b> — R/W. This field indicates the minimum assertion width of the SLP_S4# signal to ensure that the DRAMs have been safely power-cycled.</p> <p>Valid values are:</p> <p>11 = 1 to 2 seconds            10 = 2 to 3 seconds            01 = 3 to 4 seconds            00 = 4 to 5 seconds</p> <p>This value is used in two ways:</p> <ol style="list-style-type: none"> <li>If the SLP_S4# assertion width is ever shorter than this time, a status bit is set for BIOS to read when S0 is entered.</li> <li>If enabled by bit 3 in this register, the hardware will prevent the SLP_S4# signal from deasserting within this minimum time period after asserting.</li> </ol> <p>RTCRST# forces this field to the conservative default state (00b)</p>
3	<p><b>SLP_S4# Assertion Stretch Enable</b> — R/W.</p> <p>0 = The SLP_S4# minimum assertion time is 1 to 2 RTCCLK.            1 = The SLP_S4# signal minimally assert for the time specified in bits 5:4 of this register.</p> <p>This bit is cleared by RTCRST#</p>



Bit	Description
2	<b>RTC Power Status (RTC_PWR_STS)</b> — R/W. This bit is set when RTCRST# indicates a weak or missing battery. The bit is not cleared by any type of reset. The bit will remain set until the software clears it by writing a 0 back to this bit position.
1	<b>Power Failure (PWR_FLR)</b> — R/WC. This bit is in the RTC well, and is not cleared by any type of reset except RTCRST#. 0 = Indicates that the trickle current has not failed since the last time the bit was cleared. Software clears this bit by writing a 1 to it. 1 = Indicates that the trickle current (from the main battery or trickle supply) was removed or failed.  <b>NOTE:</b> Clearing CMOS in an ICH-based platform can be done by using a jumper on RTCRST# or GPI, or using SAFEMODE strap. Implementations should not attempt to clear CMOS by using a jumper to pull VccRTC low.
0	<b>AFTERG3_EN</b> — R/W. This bit determines what state to go to when power is re-applied after a power failure (G3 state). This bit is in the RTC well and is not cleared by any type of reset except writes to CF9h or RTCRST#. 0 = System will return to S0 state (boot) after power is re-applied. 1 = System will return to the S5 state (except if it was in S4, in which case it will return to S4). In the S5 state, the only enabled wake event is the Power Button or any enabled wake event that was preserved through the power failure.  <b>NOTE:</b> Bit will be set when THRMTRIP#-based shutdown occurs.

**NOTE:** RSMRST# is sampled using the RTC clock. Therefore, low times that are less than one RTC clock period may not be detected by the ICH7.



### 10.8.1.4 Cx-STATE\_CNF—Cx State Configuration Register (PM—D31:F0) (Mobile/Ultra Mobile Only)

Offset Address:	A9h	Attribute:	R/W
Default Value:	00h	Size:	8-bit
Lockable:	No	Usage:	ACPI, Legacy
Power Well:	Core		

This register is used to enable new C-state related modes.

Bit	Description
7	<b>SCRATCHPAD (SP)</b> — R/W.
6:5	Reserved
4	<p><b>Popdown Mode Enable (PDME)</b> — R/W. This bit is used in conjunction with the PUME bit (D31:F0:A9h, bit 3). If PUME is 0, then this bit must also be 0.</p> <p>0 = The Intel® ICH7-M/ICH7-U will not attempt to automatically return to a previous C3 or C4 state.</p> <p>1 = When this bit is a 1 and ICH7-M/ICH7-U observes that there are no bus master requests, it can return to a previous C3 or C4 state.</p> <p><b>NOTE:</b> This bit is separate from the PUME bit to cover cases where latency issues permit POPUP but not POPDOWN.</p>
3	<p><b>Popup Mode Enable (PUME)</b> — R/W. When this bit is a 0, the ICH7-M/ICH7-U behaves like ICH5, in that bus master traffic is a break event, and it will return from C3/C4 to C0 based on a break event. See <a href="#">Chapter 5.14.5</a> for additional details on this mode.</p> <p>0 = The ICH7 will treat Bus master traffic a break event, and will return from C3/C4 to C0 based on a break event.</p> <p>1 = When this bit is a 1 and ICH7 observes a bus master request, it will take the system from a C3 or C4 state to a C2 state and auto enable bus masters. This will let snoops and memory access occur.</p>
2	<p><b>Report Zero for BM_STS (BM_STS_ZERO_EN)</b> — R/W.</p> <p>0 = The ICH7 sets BM_STS (PMBASE + 00h, bit 4) if there is bus master activity from PCI, PCI Express* and internal bus masters.</p> <p>1 = When this bit is a 1, ICH7 will not set the BM_STS if there is bus master activity from PCI, PCI Express and internal bus masters.</p> <p><b>NOTES:</b></p> <ol style="list-style-type: none"> <li>If the BM_STS bit is already set when the BM_STS_ZERO_EN bit is set, the BM_STS bit will remain set. Software will still need to clear the BM_STS bit.</li> <li>It is expected that if the PUME bit (this register, bit 3) is set, the BM_STS_ZERO_EN bit should also be set. Setting one without the other would mainly be for debug or errata workaround.</li> <li>BM_STS will be set by LPC DMA (Mobile Only) or LPC masters, even if BM_STS_ZERO_EN is set.</li> </ol>
1:0	Reserved





### 10.8.1.5 C4-TIMING\_CNT—C4 Timing Control Register (PM—D31:F0) (Mobile/Ultra Mobile Only)

Offset Address:	AAh	Attribute:	R/W
Default Value:	00h	Size:	8-bit
Lockable:	No	Usage:	ACPI, Legacy
Power Well:	Core		

This register is used to enable C-state related modes.

Bit	Description																							
7:4	Reserved																							
3:2	<p><b>DPRSPLVR to STPCPU</b> — R/W. This field selects the amount of time that the Intel® ICH7-M/ICH7-U waits for from the deassertion of DPRSPLVR to the deassertion of STP_CPU#. This provides a programmable time for the processor's voltage to stabilize when exiting from a C4 state. This changes the value for t266.</p> <table> <thead> <tr> <th>Bits</th> <th>t266<sub>min</sub></th> <th>t266<sub>max</sub></th> <th>Comment</th> </tr> </thead> <tbody> <tr> <td>00b</td> <td>95 μs</td> <td>101 μs</td> <td>Default</td> </tr> <tr> <td>01b</td> <td>22 μs</td> <td>28 μs</td> <td>Value used for "Fast" VRMs</td> </tr> <tr> <td>10b</td> <td>34 μs</td> <td>40 μs</td> <td>Recommended Value</td> </tr> <tr> <td>11b</td> <td></td> <td></td> <td>Reserved</td> </tr> </tbody> </table>				Bits	t266 <sub>min</sub>	t266 <sub>max</sub>	Comment	00b	95 μs	101 μs	Default	01b	22 μs	28 μs	Value used for "Fast" VRMs	10b	34 μs	40 μs	Recommended Value	11b			Reserved
Bits	t266 <sub>min</sub>	t266 <sub>max</sub>	Comment																					
00b	95 μs	101 μs	Default																					
01b	22 μs	28 μs	Value used for "Fast" VRMs																					
10b	34 μs	40 μs	Recommended Value																					
11b			Reserved																					
1:0	<p><b>DPSLP-TO-SLP</b> — R/W. This field selects the DPSLP# deassertion to CPU_SLP# deassertion time (t270). Normally this value is determined by the CPU_PLL_LOCK_TIME field in the GEN_PMCON_2 register. When this field is non-zero, then the values in this register have higher priority. It is software's responsibility to program these fields in a consistent manner.</p> <table> <thead> <tr> <th>Bits</th> <th>t270</th> </tr> </thead> <tbody> <tr> <td>00b</td> <td>Use value in CPU_PLL_LOCK_TIME field (default is 30 μs)</td> </tr> <tr> <td>01b</td> <td>20 μs</td> </tr> <tr> <td>10b</td> <td>15 μs (Recommended Value)</td> </tr> <tr> <td>11b</td> <td>10 μs</td> </tr> </tbody> </table>				Bits	t270	00b	Use value in CPU_PLL_LOCK_TIME field (default is 30 μs)	01b	20 μs	10b	15 μs (Recommended Value)	11b	10 μs										
Bits	t270																							
00b	Use value in CPU_PLL_LOCK_TIME field (default is 30 μs)																							
01b	20 μs																							
10b	15 μs (Recommended Value)																							
11b	10 μs																							











## 10.8.2 APM I/O Decode

Table 10-10 shows the I/O registers associated with APM support. This register space is enabled in the PCI Device 31: Function 0 space (APMDEC\_EN), and cannot be moved (fixed I/O location).

Table 10-10. APM Register Map

Address	Mnemonic	Register Name	Default	Type
B2h	APM_CNT	Advanced Power Management Control Port	00h	R/W
B3h	APM_STS	Advanced Power Management Status Port	00h	R/W

### 10.8.2.1 APM\_CNT—Advanced Power Management Control Port Register

I/O Address:	B2h	Attribute:	R/W
Default Value:	00h	Size:	8-bit
Lockable:	No	Usage:	Legacy Only
Power Well:	Core		

Bit	Description
7:0	Used to pass an APM command between the OS and the SMI handler. Writes to this port not only store data in the APMC register, but also generates an SMI# when the APMC_EN bit is set.

### 10.8.2.2 APM\_STS—Advanced Power Management Status Port Register

I/O Address:	B3h	Attribute:	R/W
Default Value:	00h	Size:	8-bit
Lockable:	No	Usage:	Legacy Only
Power Well:	Core		

Bit	Description
7:0	Used to pass data between the OS and the SMI handler. Basically, this is a scratchpad register and is not affected by any other register or function (other than a PCI reset).



### 10.8.3 Power Management I/O Registers

Table 10-11 shows the registers associated with ACPI and Legacy power management support. These registers are enabled in the PCI Device 31: Function 0 space (PM\_IO\_EN), and can be moved to any I/O location (128-byte aligned). The registers are defined to support the ACPI 2.0 specification, and use the same bit names.

**Note:** All reserved bits and registers will always return 0 when read, and will have no effect when written.

**Table 10-11. ACPI and Legacy I/O Register Map (Sheet 1 of 2)**

PMBASE + Offset	Mnemonic	Register Name	ACPI Pointer	Default	Type
00h–01h	PM1_STS	PM1 Status	PM1a_EVT_BLK	0000h	R/WC
02h–03h	PM1_EN	PM1 Enable	PM1a_EVT_BLK+2	0000h	R/W
04h–07h	PM1_CNT	PM1 Control	PM1a_CNT_BLK	00000000h	R/W, WO
08h–0Bh	PM1_TMR	PM1 Timer	PMTMR_BLK	xx000000h	RO
0Ch–0Fh	—	Reserved	—	—	—
10h–13h	PROC_CNT	Processor Control	P_BLK	00000000h	R/W, RO, WO
14h–16h	—	Reserved (Desktop Only)	—	—	—
14h	LV2	Level 2 (Mobile/Ultra Mobile Only)	P_BLK+4	00h	RO
15h	LV3	Level 3 (Mobile/Ultra Mobile Only)	P_BLK+5	00h	RO
16h	LV4	Level 4 (Mobile/Ultra Mobile Only)	P_BLK+6	00h	RO
17h–1Fh	—	Reserved	—	—	—
20h	—	Reserved (Desktop Only)	—	—	—
20h	PM2_CNT	PM2 Control (Mobile/ Ultra Mobile Only)	PM2a_CNT_BLK	00h	R/W
28h–2Bh	GPE0_STS	General Purpose Event 0 Status	GPE0_BLK	00000000h	R/WC
2Ch–2Fh	GPE0_EN	General Purpose Event 0 Enables	GPE0_BLK+4	00000000h	R/W
30h–33h	SMI_EN	SMI# Control and Enable		00000000h	R/W, WO, R/W (special)
34h–37h	SMI_STS	SMI Status		00000000h	R/WC, RO
38h–39h	ALT_GP_SMI_EN	Alternate GPI SMI Enable		0000h	R/W
3Ah–3Bh	ALT_GP_SMI_STS	Alternate GPI SMI Status		0000h	R/WC
3Ch–41h	—	Reserved	—	—	—
42h	GPE_CNTL	General Purpose Event Control		00h	RO, R/W
43h	—	Reserved	—	—	—
44h–45h	DEVACT_STS	Device Activity Status		0000h	R/WC
46h–4Fh	—	Reserved			



Table 10-11. ACPI and Legacy I/O Register Map (Sheet 2 of 2)

PMBASE + Offset	Mnemonic	Register Name	ACPI Pointer	Default	Type
50h	—	Reserved (Desktop Only)			
50h	SS_CNT	Intel SpeedStep® Technology Control (Mobile/Ultra Mobile Only)		01h	R/W (special)
51h–5Fh	—	Reserved	—	—	—
54h–57h	C3_RES	C3-Residency Register (Mobile/Ultra Mobile Only)	—	00000000h	RO, R/W
60h–7Fh	—	Reserved for TCO	—	—	—

### 10.8.3.1 PM1\_STS—Power Management 1 Status Register

I/O Address:	PMBASE + 00h (ACPI PM1a_EVT_BLK)	Attribute:	R/WC
Default Value:	0000h	Size:	16-bit
Lockable:	No	Usage:	ACPI or Legacy
Power Well:	Bits 0–7: Core, Bits 8–15: Resume, except Bit 11 in RTC		

If bit 10 or 8 in this register is set, and the corresponding \_EN bit is set in the PM1\_EN register, then the ICH7 will generate a Wake Event. Once back in an S0 state (or if already in an S0 state when the event occurs), the ICH7 will also generate an SCI if the SCI\_EN bit is set, or an SMI# if the SCI\_EN bit is not set.

**Note:** Bit 5 does not cause an SMI# or a wake event. Bit 0 does not cause a wake event but can cause an SMI# or SCI.





Bit	Description
15	<p><b>Wake Status (WAK_STS)</b> — R/WC. This bit is not affected by hard resets caused by a CF9 write, but is reset by RSMRST#.</p> <p>0 = Software clears this bit by writing a 1 to it.            1 = Set by hardware when the system is in one of the sleep states (via the SLP_EN bit) and an enabled wake event occurs. Upon setting this bit, the Intel® ICH7 will transition the system to the ON state.</p> <p>If the AFTERG3_EN bit is not set and a power failure (such as removed batteries on a mobile/Ultra Mobile platform) occurs without the SLP_EN bit set, the system will return to an S0 state when power returns, and the WAK_STS bit will not be set.</p> <p>If the AFTERG3_EN bit is set and a power failure occurs without the SLP_EN bit having been set, the system will go into an S5 state when power returns, and a subsequent wake event will cause the WAK_STS bit to be set. Note that any subsequent wake event would have to be caused by either a Power Button press, or an enabled wake event that was preserved through the power failure (enable bit in the RTC well).</p>
14 (Desktop and Mobile Only)	<p><b>PCI Express Wake Status (PCIEXPWAK_STS)</b> — R/WC.</p> <p>0 = Software clears this bit by writing a 1 to it. If the WAKE# pin is still active during the write or the PME message received indication has not been cleared in the root port, then the bit will remain active (i.e. all inputs to this bit are level-sensitive).</p> <p>1 = This bit is set by hardware to indicate that the system woke due to a PCI Express wakeup event. This wakeup event can be caused by the PCI Express WAKE# pin being active or receipt of a PCI Express PME message at a root port. This bit is set only when one of these events causes the system to transition from a non-S0 system power state to the S0 system power state. This bit is set independent of the state of the PCIEXP_WAKE_DIS bit.</p> <p><b>NOTE:</b> This bit does not itself cause a wake event or prevent entry to a sleeping state. Thus, if the bit is 1 and the system is put into a sleeping state, the system will not automatically wake.</p>
14 (Ultra Mobile Only)	Reserved
13:12	Reserved
11	<p><b>Power Button Override Status (PRBTNOR_STS)</b> — R/WC.</p> <p>0 = Software clears this bit by writing a 1 to it.            1 = This bit is set any time a Power Button Override occurs (i.e., the power button is pressed for at least 4 consecutive seconds), or due to the corresponding bit in the SMBus slave message. The power button override causes an unconditional transition to the S5 state, as well as sets the AFTERG# bit. The BIOS or SCI handler clears this bit by writing a 1 to it. This bit is not affected by hard resets via CF9h writes, and is not reset by RSMRST#. Thus, this bit is preserved through power failures. Note that if this bit is still asserted when the global SCI_EN is set then an SCI will be generated.</p>
10	<p><b>RTC Status (RTC_STS)</b> — R/WC. This bit is not affected by hard resets caused by a CF9 write, but is reset by RSMRST#.</p> <p>0 = Software clears this bit by writing a 1 to it.            1 = Set by hardware when the RTC generates an alarm (assertion of the IRQ8# signal). Additionally if the RTC_EN bit (PMBASE + 02h, bit 10) is set, the setting of the RTC_STS bit will generate a wake event.</p>
9	Reserved



Bit	Description
8	<p><b>Power Button Status (PWRBTN__STS)</b> — R/WC. This bit is not affected by hard resets caused by a CF9 write.</p> <p>0 = If the PWRBTN# signal is held low for more than 4 seconds, the hardware clears the PWRBTN_STS bit, sets the PWRBTNOR_STS bit, and the system transitions to the S5 state with only PWRBTN# enabled as a wake event.</p> <p>This bit can be cleared by software by writing a one to the bit position.</p> <p>1 = This bit is set by hardware when the PWRBTN# signal is asserted Low, independent of any other enable bit.</p> <p>In the S0 state, while PWRBTN_EN and PWRBTN_STS are both set, an SCI (or SMI# if SCI_EN is not set) will be generated.</p> <p>In any sleeping state S1–S5, while PWRBTN_EN (PMBASE + 02h, bit 8) and PWRBTN_STS are both set, a wake event is generated.</p> <p><b>NOTE:</b> If the PWRBTN_STS bit is cleared by software while the PWRBTN# signal is still asserted, this will not cause the PWRBTN_STS bit to be set. The PWRBTN# signal must go inactive and active again to set the PWRBTN_STS bit.</p>
7:6	Reserved
5	<p><b>Global Status (GBL_STS)</b> — R/WC.</p> <p>0 = The SCI handler should then clear this bit by writing a 1 to the bit location.</p> <p>1 = Set when an SCI is generated due to BIOS wanting the attention of the SCI handler. BIOS has a corresponding bit, BIOS_RLS, which will cause an SCI and set this bit.</p>
4 (Desktop Only)	Reserved
4 (Mobile/ Ultra Mobile Only)	<p><b>Bus Master Status (BM_STS)</b> — R/WC. This bit will not cause a wake event, SCI or SMI#.</p> <p>0 = Software clears this bit by writing a 1 to it.</p> <p>1 = Set by the Intel® ICH7-M/ICH7-U when a bus master requests access to main memory. Bus master activity is detected by any of the PCI Requests being active, any internal bus master request being active, the BM_BUSY# signal being active, or REQ-C2 message received while in C3 or C4 state.</p> <p><b>NOTES:</b></p> <ol style="list-style-type: none"> <li>If the BM_STS_ZERO_EN bit is set, then this bit will generally report as a 0. LPC DMA (Mobile Only) and bus master activity will always set the BM_STS bit, even if the BM_STS_ZERO_EN bit is set.</li> </ol>
3:1	Reserved
0	<p><b>Timer Overflow Status (TMROF_STS)</b> — R/WC.</p> <p>0 = The SCI or SMI# handler clears this bit by writing a 1 to the bit location.</p> <p>1 = This bit gets set any time bit 22 of the 24-bit timer goes high (bits are numbered from 0 to 23). This will occur every 2.3435 seconds. When the TMROF_EN bit (PMBASE + 02h, bit 0) is set, then the setting of the TMROF_STS bit will additionally generate an SCI or SMI# (depending on the SCI_EN).</p>



### 10.8.3.2 PM1\_EN—Power Management 1 Enable Register

I/O Address: PMBASE + 02h  
 (ACPI PM1a\_EVT\_BLK + 2) Attribute: R/W  
 Default Value: 0000h Size: 16-bit  
 Lockable: No Usage: ACPI or Legacy  
 Power Well: Bits 0–7: Core,  
 Bits 8–9, 11–15: Resume,  
 Bit 10: RTC

Bit	Description												
15	Reserved												
14 (Desktop and Mobile Only)	<b>PCI Express Wake Disable (PCIEXPWAK_DIS)</b> — R/W. Modification of this bit has no impact on the value of the PCIEXP_WAKE_STS bit. 0 = Inputs to the PCIEXP_WAKE_STS bit in the PM1 Status register enabled to wake the system. 1 = Inputs to the PCIEXP_WAKE_STS bit in the PM1 Status register disabled from waking the system.												
14 (Ultra Mobile Only)	Reserved												
13:11	Reserved												
10	<b>RTC Event Enable (RTC_EN)</b> — R/W. This bit is in the RTC well to allow an RTC event to wake after a power failure. This bit is not cleared by any reset other than RTCRST# or a Power Button Override event. 0 = No SCI (or SMI#) or wake event is generated then RTC_STS (PMBASE + 00h, bit 10) goes active. 1 = An SCI (or SMI#) or wake event will occur when this bit is set and the RTC_STS bit goes active.												
9	Reserved.												
8	<b>Power Button Enable (PWRBTN_EN)</b> — R/W. This bit is used to enable the setting of the PWRBTN_STS bit to generate a power management event (SMI#, SCI). PWRBTN_EN has no effect on the PWRBTN_STS bit (PMBASE + 00h, bit 8) being set by the assertion of the power button. The Power Button is always enabled as a Wake event. 0 = Disable. 1 = Enable.												
7:6	Reserved.												
5	<b>Global Enable (GBL_EN)</b> — R/W. When both the GBL_EN and the GBL_STS bit (PMBASE + 00h, bit 5) are set, an SCI is raised. 0 = Disable. 1 = Enable SCI on GBL_STS going active.												
4:1	Reserved.												
0	<b>Timer Overflow Interrupt Enable (TMROF_EN)</b> — R/W. Works in conjunction with the SCI_EN bit (PMBASE + 04h, bit 0) as described below: <table border="1" style="margin-left: 20px;"> <thead> <tr> <th>TMROF_EN</th> <th>SCI_EN</th> <th>Effect when TMROF_STS is set</th> </tr> </thead> <tbody> <tr> <td>0</td> <td>X</td> <td>No SMI# or SCI</td> </tr> <tr> <td>1</td> <td>0</td> <td>SMI#</td> </tr> <tr> <td>1</td> <td>1</td> <td>SCI</td> </tr> </tbody> </table>	TMROF_EN	SCI_EN	Effect when TMROF_STS is set	0	X	No SMI# or SCI	1	0	SMI#	1	1	SCI
TMROF_EN	SCI_EN	Effect when TMROF_STS is set											
0	X	No SMI# or SCI											
1	0	SMI#											
1	1	SCI											



### 10.8.3.3 PM1\_CNT—Power Management 1 Control

I/O Address: PMBASE + 04h  
 (ACPI PM1a\_CNT\_BLK) Attribute: R/W, WO  
 Default Value: 00000000h Size: 32-bit  
 Lockable: No Usage: ACPI or Legacy  
 Power Well: Bits 0–7: Core,  
 Bits 8–12: RTC,  
 Bits 13–15: Resume

Bit	Description																
31:14	Reserved.																
13	<b>Sleep Enable (SLP_EN)</b> — WO. Setting this bit causes the system to sequence into the Sleep state defined by the SLP_TYP field.																
12:10	<p><b>Sleep Type (SLP_TYP)</b> — R/W. This 3-bit field defines the type of Sleep the system should enter when the SLP_EN bit is set to 1. These bits are only reset by RTCRST#.</p> <table border="1"> <thead> <tr> <th>Code</th> <th>Master Interrupt</th> </tr> </thead> <tbody> <tr> <td>000b</td> <td>ON: Typically maps to S0 state.</td> </tr> <tr> <td>001b</td> <td>Asserts STPCLK#. Puts processor in Stop-Grant state. Optional to assert CPUSLP# to put processor in sleep state: Typically, maps to S1 state.</td> </tr> <tr> <td>010b</td> <td>Reserved</td> </tr> <tr> <td>011b</td> <td>Reserved</td> </tr> <tr> <td>100b</td> <td>Reserved</td> </tr> <tr> <td>101b</td> <td>Suspend-To-RAM. Assert SLP_S3#: Typically maps to S3 state.</td> </tr> <tr> <td>110b</td> <td>Suspend-To-Disk. Assert SLP_S3#, and SLP_S4#: Typically maps to S4 state.</td> </tr> </tbody> </table>	Code	Master Interrupt	000b	ON: Typically maps to S0 state.	001b	Asserts STPCLK#. Puts processor in Stop-Grant state. Optional to assert CPUSLP# to put processor in sleep state: Typically, maps to S1 state.	010b	Reserved	011b	Reserved	100b	Reserved	101b	Suspend-To-RAM. Assert SLP_S3#: Typically maps to S3 state.	110b	Suspend-To-Disk. Assert SLP_S3#, and SLP_S4#: Typically maps to S4 state.
Code	Master Interrupt																
000b	ON: Typically maps to S0 state.																
001b	Asserts STPCLK#. Puts processor in Stop-Grant state. Optional to assert CPUSLP# to put processor in sleep state: Typically, maps to S1 state.																
010b	Reserved																
011b	Reserved																
100b	Reserved																
101b	Suspend-To-RAM. Assert SLP_S3#: Typically maps to S3 state.																
110b	Suspend-To-Disk. Assert SLP_S3#, and SLP_S4#: Typically maps to S4 state.																
9:3	Reserved.																
2	<p><b>Global Release (GBL_RLS)</b> — WO.</p> <p>0 = This bit always reads as 0.          1 = ACPI software writes a 1 to this bit to raise an event to the BIOS. BIOS software has a corresponding enable and status bits to control its ability to receive ACPI events.</p>																
1 (Desktop Only)	Reserved																
1 (Mobile/ Ultra Mobile Only)	<p><b>Bus Master Reload (BM_RLD)</b> — R/W. This bit is treated as a scratchpad bit. This bit is reset to 0 by PLTRST#</p> <p>0 = Bus master requests will not cause a break from the C3 state.          1 = Enable Bus Master requests (internal, external or BM_BUSY#) to cause a break from the C3 state.</p> <p>If software fails to set this bit before going to C3 state, the Intel® ICH7-M/ICH7-U will still return to a snooperable state from C3 or C4 states due to bus master activity.</p>																
0	<p><b>SCI Enable (SCI_EN)</b> — R/W. Selects the SCI interrupt or the SMI# interrupt for various events including the bits in the PM1_STS register (bit 10, 8, 0), and bits in GPE0_STS.</p> <p>0 = These events will generate an SMI#.          1 = These events will generate an SCI.</p>																



### 10.8.3.4 PM1\_TMR—Power Management 1 Timer Register

I/O Address: PMBASE + 08h  
(ACPI PMTMR\_BLK)

Attribute: RO

Default Value: xx000000h Size: 32-bit

Lockable: No Usage: ACPI

Power Well: Core

Bit	Description
31:24	Reserved
23:0	<p><b>Timer Value (TMR_VAL)</b> — RO. Returns the running count of the PM timer. This counter runs off a 3.579545 MHz clock (14.31818 MHz divided by 4). It is reset to 0 during a PCI reset, and then continues counting as long as the system is in the S0 state. After an S1 state, the counter will not be reset (it will continue counting from the last value in S0 state).</p> <p>Anytime bit 22 of the timer goes HIGH to LOW (bits referenced from 0 to 23), the TMROF_STS bit (PMBASE + 00h, bit 0) is set. The High-to-Low transition will occur every 2.3435 seconds. If the TMROF_EN bit (PMBASE + 02h, bit 0) is set, an SCI interrupt is also generated.</p>

### 10.8.3.5 PROC\_CNT—Processor Control Register

I/O Address: PMBASE + 10h  
(ACPI P\_BLK)

Attribute: R/W, RO, WO

Default Value: 00000000h Size: 32-bit

Lockable: No (bits 7:5 are write once) Usage: ACPI or Legacy

Power Well: Core

Bit	Description
31:18	Reserved
17	<p><b>Throttle Status (THTL_STS)</b> — RO.</p> <p>0 = No clock throttling is occurring (maximum processor performance).</p> <p>1 = Indicates that the clock state machine is throttling the processor performance. This could be due to the THT_EN bit or the FORCE_THTL bit being set.</p>
16:9	Reserved
8	<p><b>Force Thermal Throttling (FORCE_THTL)</b> — R/W. Software can set this bit to force the thermal throttling function.</p> <p>0 = No forced throttling.</p> <p>1 = Throttling at the duty cycle specified in THRM_DTY starts immediately, and no SMI# is generated.</p>



Bit	Description																											
7:5	<p><b>THRM_DTY</b> — WO. This write-once field determines the duty cycle of the throttling when the FORCE_THTL bit is set. The duty cycle indicates the approximate percentage of time the STPCLK# signal is asserted while in the throttle mode. The STPCLK# throttle period is 1024 PCICLKs. Note that the throttling only occurs if the system is in the C0 state. For mobile/Ultra Mobile only, If in the C2, C3, or C4 state, no throttling occurs.</p> <p>Once the THRM_DTY field is written, any subsequent writes will have no effect until PLTRST# goes active.</p> <table border="1"> <thead> <tr> <th>THRM_DTY</th> <th>Throttle Mode</th> <th>PCI Clocks</th> </tr> </thead> <tbody> <tr> <td>000b</td> <td>50% (Default)</td> <td>512</td> </tr> <tr> <td>001b</td> <td>87.5%</td> <td>896</td> </tr> <tr> <td>010b</td> <td>75.0%</td> <td>768</td> </tr> <tr> <td>011b</td> <td>62.5%</td> <td>640</td> </tr> <tr> <td>100b</td> <td>50%</td> <td>512</td> </tr> <tr> <td>101b</td> <td>37.5%</td> <td>384</td> </tr> <tr> <td>110b</td> <td>25%</td> <td>256</td> </tr> <tr> <td>111b</td> <td>12.5%</td> <td>128</td> </tr> </tbody> </table>	THRM_DTY	Throttle Mode	PCI Clocks	000b	50% (Default)	512	001b	87.5%	896	010b	75.0%	768	011b	62.5%	640	100b	50%	512	101b	37.5%	384	110b	25%	256	111b	12.5%	128
THRM_DTY	Throttle Mode	PCI Clocks																										
000b	50% (Default)	512																										
001b	87.5%	896																										
010b	75.0%	768																										
011b	62.5%	640																										
100b	50%	512																										
101b	37.5%	384																										
110b	25%	256																										
111b	12.5%	128																										
4	<p><b>THTL_EN</b> — R/W. When set and the system is in a C0 state, it enables a processor-controlled STPCLK# throttling. The duty cycle is selected in the THTL_DTY field.</p> <p>0 = Disable 1 = Enable</p>																											
3:1	<p><b>THTL_DTY</b> — R/W. This field determines the duty cycle of the throttling when the THTL_EN bit is set. The duty cycle indicates the approximate percentage of time the STPCLK# signal is asserted (low) while in the throttle mode. The STPCLK# throttle period is 1024 PCICLKs.</p> <table border="1"> <thead> <tr> <th>THTL_DTY</th> <th>Throttle Mode</th> <th>PCI Clocks</th> </tr> </thead> <tbody> <tr> <td>000b</td> <td>50% (Default)</td> <td>512</td> </tr> <tr> <td>001b</td> <td>87.5%</td> <td>896</td> </tr> <tr> <td>010b</td> <td>75.0%</td> <td>768</td> </tr> <tr> <td>011b</td> <td>62.5%</td> <td>640</td> </tr> <tr> <td>100b</td> <td>50%</td> <td>512</td> </tr> <tr> <td>101b</td> <td>37.5%</td> <td>384</td> </tr> <tr> <td>110b</td> <td>25%</td> <td>256</td> </tr> <tr> <td>111b</td> <td>12.5%</td> <td>128</td> </tr> </tbody> </table>	THTL_DTY	Throttle Mode	PCI Clocks	000b	50% (Default)	512	001b	87.5%	896	010b	75.0%	768	011b	62.5%	640	100b	50%	512	101b	37.5%	384	110b	25%	256	111b	12.5%	128
THTL_DTY	Throttle Mode	PCI Clocks																										
000b	50% (Default)	512																										
001b	87.5%	896																										
010b	75.0%	768																										
011b	62.5%	640																										
100b	50%	512																										
101b	37.5%	384																										
110b	25%	256																										
111b	12.5%	128																										
0	Reserved																											



### 10.8.3.6 LV2 — Level 2 Register (Mobile/Ultra Mobile Only)

I/O Address:	PMBASE + 14h (ACPI P_BLK+4)	Attribute:	RO
Default Value:	00h	Size:	8-bit
Lockable:	No	Usage:	ACPI or Legacy
Power Well:	Core		

Bit	Description
7:0	Reads to this register return all 0s, writes to this register have no effect. Reads to this register generate a “enter a level 2 power state” (C2) to the clock control logic. This will cause the STPCLK# signal to go active, and stay active until a break event occurs. Throttling (due either to THTL_EN or FORCE_THTL) will be ignored.

**NOTE:** This register should not be used by Intel® iA64 processors or systems with more than 1 logical processor, unless appropriate semaphoring software has been put in place to ensure that all threads/processors are ready for the C2 state when the “read to this register” instruction occurs.

### 10.8.3.7 LV3—Level 3 Register (Mobile/Ultra Mobile Only)

I/O Address:	PMBASE + 15h (ACPI P_BLK + 5)	Attribute:	RO
Default Value:	00h	Size:	8-bit
Lockable:	No	Usage:	ACPI or Legacy
		Power Well:	Core

Bit	Description
7:0	Reads to this register return all 0s, writes to this register have no effect. Reads to this register generate a “enter a C3 power state” to the clock control logic. The C3 state persists until a break event occurs.

**NOTE:** If the C4onC3\_EN bit is set, reads this register will initiate a LVL4 transition rather than a LVL3 transition. In the event that software attempts to simultaneously read the LVL2 and LVL3 registers (which is not permitted), the Intel® ICH7-M/ICH7-U will ignore the LVL3 read, and only perform a C2 transition.

**NOTE:** This register should not be used by iA64 processors or systems with more than 1 logical processor, unless appropriate semaphoring software has been put in place to ensure that all threads/processors are ready for the C3 state when the “read to this register” instruction occurs.

### 10.8.3.8 LV4—Level 4 Register (Mobile/Ultra Mobile Only)

I/O Address:	PMBASE + 16h (ACPI P_BLK + 6)	Attribute:	RO
Default Value:	00h	Size:	8-bit
Lockable:	No	Usage:	ACPI or Legacy
		Power Well:	Core

Bit	Description
7:0	Reads to this register return all 0s, writes to this register have no effect. Reads to this register generate a “enter a C4 power state” to the clock control logic. The C4 state persists until a break event occurs.

**NOTE:** This register should not be used by iA64 processors or systems with more than 1 logical processor, unless appropriate semaphoring software has been put in place to ensure that all threads/processors are ready for the C4 state when the “read to this register” instruction occurs.



### 10.8.3.9 PM2\_CNT—Power Management 2 Control Register (Mobile/Ultra Mobile Only)

I/O Address: PMBASE + 20h (ACPI PM2\_BLK) Attribute: R/W  
 Default Value: 00h Size: 8-bit  
 Lockable: No Usage: ACPI  
 Power Well: Core

Bit	Description
7:1	Reserved
0	<b>Arbiter Disable (ARB_DIS)</b> — R/W. This bit is a scratchpad bit for legacy software compatibility. Software typically sets this bit to 1 prior to entering a C3 or C4 state. When a transition to a C3 or C4 state occurs, Intel® ICH7-M/ICH7-U will automatically prevent any internal or external non-Isoch bus masters from initiating any cycles up to the (G)MCH. This blocking starts immediately upon the ICH7 sending the Go-C3 message to the (G)MCH. The blocking stops when the Ack-C2 message is received. Note that this is not really blocking, in that messages (such as from PCI Express*) are just queued and held pending.

### 10.8.3.10 GPE0\_STS—General Purpose Event 0 Status Register

I/O Address: PMBASE + 28h (ACPI GPE0\_BLK) Attribute: R/WC  
 Default Value: 00000000h Size: 32-bit  
 Lockable: No Usage: ACPI  
 Power Well: Resume

This register is symmetrical to the General Purpose Event 0 Enable Register. Unless indicated otherwise below, if the corresponding \_EN bit is set, then when the \_STS bit get set, the ICH7 will generate a Wake Event. Once back in an S0 state (or if already in an S0 state when the event occurs), the ICH7 will also generate an SCI if the SCI\_EN bit is set, or an SMI# if the SCI\_EN bit (PMBASE + 04h, bit 0) is not set. Bits 31:16 are reset by a CF9h write; bits 15:0 are not. All are reset by RSMRST#.

Bit	Description
31:16	<b>GPIOn_STS</b> — R/WC. 0 = Software clears this bit by writing a 1 to it. 1 = These bits are set any time the corresponding GPIO is set up as an input and the corresponding GPIO signal is high (or low if the corresponding GP_INV bit is set). If the corresponding enable bit is set in the GPE0_EN register, then when the GPIO[n]_STS bit is set: <ul style="list-style-type: none"> <li>• If the system is in an S1–S5 state, the event will also wake the system.</li> <li>• If the system is in an S0 state (or upon waking back to an S0 state), a SCI will be caused depending on the GPIO_ROUT bits (D31:F0:B8h, bits 31:30) for the corresponding GPI.</li> </ul> <b>NOTE:</b> Mapping is as follows: bit 31 corresponds to GPIO15 ... and bit 16 corresponds to GPIO0.
15	Reserved
14	<b>USB4_STS</b> — R/WC. 0 = Disable. 1 = Set by hardware and can be reset by writing a one to this bit position or a resume well reset. This bit is set when USB UHCI controller #4 needs to cause a wake. Additionally if the USB4_EN bit is set, the setting of the USB4_STS bit will generate a wake event.





Bit	Description
13	<p><b>PME_BO_STS</b> — R/WC. This bit will be set to 1 by the Intel® ICH7 when any internal device with PCI Power Management capabilities on bus 0 asserts the equivalent of the PME# signal. Additionally, if the PME_BO_EN bit is set, and the system is in an S0 state, then the setting of the PME_BO_STS bit will generate an SCI (or SMI# if SCI_EN is not set). If the PME_BO_STS bit is set, and the system is in an S1–S4 state (or S5 state due to SLP_TYP and SLP_EN), then the setting of the PME_BO_STS bit will generate a wake event, and an SCI (or SMI# if SCI_EN is not set) will be generated. If the system is in an S5 state due to power button override, then the PME_BO_STS bit will not cause a wake event or SCI.</p> <p>The default for this bit is 0. Writing a 1 to this bit position clears this bit.</p>
12	<p><b>USB3_STS</b> — R/WC.</p> <p>0 = Disable.</p> <p>1 = Set by hardware and can be reset by writing a one to this bit position or a resume well reset. This bit is set when USB UHCI controller #3 needs to cause a wake. Additionally if the USB3_EN bit is set, the setting of the USB3_STS bit will generate a wake event.</p>
11	<p><b>PME_STS</b> — R/WC.</p> <p>0 = Software clears this bit by writing a 1 to it.</p> <p>1 = Set by hardware when the PME# signal goes active. Additionally, if the PME_EN bit is set, and the system is in an S0 state, then the setting of the PME_STS bit will generate an SCI or SMI# (if SCI_EN is not set). If the PME_EN bit is set, and the system is in an S1–S4 state (or S5 state due to setting SLP_TYP and SLP_EN), then the setting of the PME_STS bit will generate a wake event, and an SCI will be generated. If the system is in an S5 state due to power button override or a power failure, then PME_STS will not cause a wake event or SCI.</p>
10 (Desktop Only)	<p><b>Intel® ICH7DH Only:</b></p> <p><b>EL_SCI_STS</b> — R/WC. In Desktop Mode, when Intel Quick Resume Technology feature is enabled, this bit will be set by hardware when the SCI_NOW_CNT or EL_PB_SCI_STS bit goes high. Software clears the bit by writing a 1 to the bit position.</p> <p>In Desktop Mode, when Intel Quick Resume Technology feature is disabled, this bit will be treated as Reserved.</p> <p><b>ICH7 and ICH7R Only:</b></p> <p>Reserved</p>
10 (Mobile/ Ultra Mobile Only)	<p><b>BATLOW_STS</b> — R/WC. (Mobile/Ultra Mobile Only) Software clears this bit by writing a 1 to it.</p> <p>0 = BATLOW# Not asserted</p> <p>1 = Set by hardware when the BATLOW# signal is asserted.</p>



Bit	Description
9	<p><b>PCI_EXP_STS</b> — R/WC.</p> <p>0 = Software clears this bit by writing a 1 to it.            1 = Set by hardware to indicate that:</p> <ul style="list-style-type: none"> <li>• The PME event message was received on one or more of the PCI Express* ports (Desktop and Mobile Only)</li> <li>• An Assert PMEGPE message received from the (G)MCH via DMI</li> </ul> <p><b>NOTES:</b></p> <ol style="list-style-type: none"> <li>1. The PCI WAKE# pin has no impact on this bit.</li> <li>2. If the PCI_EXP_STS bit went active due to an Assert PMEGPE message, then a Deassert PMEGPE message must be received prior to the software write in order for the bit to be cleared.</li> <li>3. If the bit is not cleared and the corresponding PCI_EXP_EN bit is set, the level-triggered SCI will remain active.</li> <li>4. A race condition exists where the PCI Express device sends another PME message because the PCI Express device was not serviced within the time when it must resend the message. This may result in a spurious interrupt, and this is comprehended and approved by the <i>PCI Express* Specification, Revision 1.0a</i>. The window for this race condition is approximately 95–105 milliseconds.</li> </ol>
8	<p><b>RI_STS</b> — R/WC.</p> <p>0 = Software clears this bit by writing a 1 to it.            1 = Set by hardware when the RI# input signal goes active.</p>
7	<p><b>SMBus Wake Status (SMB_WAK_STS)</b> — R/WC. The SMBus controller can independently cause an SMI# or SCI, so this bit does not need to do so (unlike the other bits in this register). Software clears this bit by writing a 1 to it.</p> <p>0 = Wake event Not caused by the ICH7's SMBus logic.            1 = Set by hardware to indicate that the wake event was caused by the ICH7's SMBus logic. This bit will be set by the WAKE/SMI# command type, even if the system is already awake. The SMI handler should then clear this bit.</p> <p><b>NOTES:</b></p> <ol style="list-style-type: none"> <li>1. This bit is set by the SMBus slave command 01h (Wake/SMI#) even when the system is in the S0 state. Therefore, to avoid an instant wake on subsequent transitions to sleep states, software must clear this bit after each reception of the Wake/SMI# command or just prior to entering the sleep state.</li> <li>2. If SMB_WAK_STS is set due to SMBus slave receiving a message, it will be cleared by internal logic when a THRMTRIP# event happens or a Power Button Override event. However, THRMTRIP# or Power Button Override event will not clear SMB_WAK_STS if it is set due to SMBALERT# signal going active.</li> <li>3. The SMBALERT_STS bit (D31:F3: I/O Offset 00h: Bit 5) should be cleared by software before the SMB_WAK_STS bit is cleared.</li> </ol>
6	<p><b>TCOSCI_STS</b> — R/WC. Software clears this bit by writing a 1 to it.</p> <p>0 = TOC logic did Not cause SCI.            1 = Set by hardware when the TCO logic causes an SCI.</p>



Bit	Description
5	<p><b>AC97_STS</b> — R/WC. This bit will be set to 1 when the codecs are attempting to wake the system and the PME events for the codecs are armed for wakeup. A PME is armed by programming the appropriate PMEE bit in the Power Management Control and Status register at bit 8 of offset 54h in each AC '97 function.</p> <p>0 = Software clears this bit by writing a 1 to it.            1 = Set by hardware when the codecs are attempting to wake the system. The AC97_STS bit gets set only from the following two cases:</p> <ol style="list-style-type: none"> <li>1. The PMEE bit for the function is set, and 0 The AC-link bit clock has been shut and the routed ACZ_SDIN line is high (for audio, if routing is disabled, no wake events are allowed).</li> <li>2. For modem, if audio routing is disabled, then the wake event is an OR of all ACZ_SDIN lines. If routing is enabled, then the wake event for modem is the remaining non-routed ACZ_SDIN line), or 0 GPI Status Change Interrupt bit (NABMBAR + 30h, bit 0) is 1.</li> </ol> <p><b>NOTES:</b></p> <ol style="list-style-type: none"> <li>1. This bit is not affected by a hard reset caused by a CF9h write.</li> <li>2. This bit is also used for Intel® High Definition Audio when ICH7 is configured to use the Intel High Definition Audio host controller rather than the AC97 host controller.</li> <li>3. For ICH7 Ultra Mobile, only Intel High Definition is supported, AC '97 is not supported.</li> </ol>
4	<p><b>USB2_STS</b> — R/WC. Software clears this bit by writing a 1 to it.</p> <p>0 = USB UHCI controller 2 does Not need to cause a wake.            1 = Set by hardware when USB UHCI controller 2 needs to cause a wake. Wake event will be generated if the corresponding USB2_EN bit is set.</p>
3	<p><b>USB1_STS</b> — R/WC. Software clears this bit by writing a 1 to it.</p> <p>0 = USB UHCI controller 1 does Not need to cause a wake.            1 = Set by hardware when USB UHCI controller 1 needs to cause a wake. Wake event will be generated if the corresponding USB1_EN bit is set.</p>
2	<p><b>SWGPE_STS</b> — R/WC.</p> <p>The SWGPE_CTRL bit (bit 1 of GPE_CTRL reg) acts as a level input to this bit.</p>
1 (Desktop and Mobile Only)	<p><b>HOT_PLUG_STS</b> — R/WC.</p> <p>0 = This bit is cleared by writing a 1 to this bit position.            1 = When a PCI Express* Hot-Plug event occurs. This will cause an SCI if the HOT_PLUG_EN bit is set in the GEPO_EN register.</p>
1 (Ultra Mobile Only)	Reserved
0	<p><b>Thermal Interrupt Status (THRM_STS)</b> — R/WC. Software clears this bit by writing a 1 to it.</p> <p>0 = THRM# signal Not driven active as defined by the THRM_POL bit            1 = Set by hardware anytime the THRM# signal is driven active as defined by the THRM_POL bit. Additionally, if the THRM_EN bit is set, then the setting of the THRM_STS bit will also generate a power management event (SCI or SMI#).</p>



### 10.8.3.11 GPE0\_EN—General Purpose Event 0 Enables Register

I/O Address: PMBASE + 2Ch  
 (ACPI GPE0\_BLK + 4) Attribute: R/W  
 Default Value: 00000000h Size: 32-bit  
 Lockable: No Usage: ACPI  
 Power Well: Bits 0–7, 9, 12, 14–31 Resume,  
 Bits 8, 10–11, 13 RTC

This register is symmetrical to the General Purpose Event 0 Status Register. All the bits in this register should be cleared to 0 based on a Power Button Override or processor Thermal Trip event. The resume well bits are all cleared by RSMRST#. The RTC sell bits are cleared by RTCRST#.

Bit	Description
31:16	<b>GPI<sub>n</sub>_EN</b> — R/W. These bits enable the corresponding GPI[n]_STS bits being set to cause a SCI, and/or wake event. These bits are cleared by RSMRST#. <b>NOTE:</b> Mapping is as follows: bit 31 corresponds to GPI <sub>15</sub> ... and bit 16 corresponds to GPI <sub>0</sub> .
15	Reserved
14	<b>USB4_EN</b> — R/W. 0 = Disable. 1 = Enable the setting of the USB4_STS bit to generate a wake event. The USB4_STS bit is set anytime USB UHCI controller #4 signals a wake event. Break events are handled via the USB interrupt.
13	<b>PME_B0_EN</b> — R/W. 0 = Disable 1 = Enables the setting of the PME_B0_STS bit to generate a wake event and/or an SCI or SMI#. PME_B0_STS can be a wake event from the S1–S4 states, or from S5 (if entered via SLP_TYP and SLP_EN) or power failure, but not Power Button Override. This bit defaults to 0. <b>NOTE:</b> It is only cleared by Software or RTCRST#. It is not cleared by CF9h writes.
12	<b>USB3_EN</b> — R/W. 0 = Disable. 1 = Enable the setting of the USB3_STS bit to generate a wake event. The USB3_STS bit is set anytime USB UHCI controller #3 signals a wake event. Break events are handled via the USB interrupt.
11	<b>PME_EN</b> — R/W. 0 = Disable. 1 = Enables the setting of the PME_STS to generate a wake event and/or an SCI. PME# can be a wake event from the S1 – S4 state or from S5 (if entered via SLP_EN, but not power button override).
10 (Desktop Only)	<b>ICH7DH Only:</b> <b>EL_SCI_EN</b> — R/W. In Desktop Mode with Intel Quick Resume Technology feature enabled, this bit enables the EL_SCI_STS signal to cause an SCI (depending on the SCI_EN bit) when it is asserted. In Desktop Mode, when Intel Quick Resume Technology feature is disabled, this bit will be treated as Reserved. <b>ICH7 and ICH7R Only:</b> Reserved



Bit	Description
10 (Mobile/ Ultra Mobile Only)	<b>BATLOW_EN</b> — R/W. (Mobile/Ultra Mobile Only) 0 = Disable. 1 = Enables the BATLOW# signal to cause an SMI# or SCI (depending on the SCI_EN bit) when it goes low. This bit does not prevent the BATLOW# signal from inhibiting the wake event.
9 (Desktop and Mobile Only)	<b>PCI_EXP_EN</b> — R/W. 0 = Disable SCI generation upon PCI_EXP_STS bit being set. 1 = Enables Intel® ICH7 to cause an SCI when PCI_EXP_STS bit is set. This is used to allow the PCI Express* ports, including the link to the (G)MCH, to cause an SCI due to wake/PME events.
9 (Ultra Mobile Only)	Reserved. Must be programmed to 0.
8	<b>RI_EN</b> — R/W. The value of this bit will be maintained through a G3 state and is not affected by a hard reset caused by a CF9h write. 0 = Disable. 1 = Enables the setting of the RI_STS to generate a wake event.
7	Reserved
6	<b>TCOSCI_EN</b> — R/W. 0 = Disable. 1 = Enables the setting of the TCOSCI_STS to generate an SCI.
5	<b>AC97_EN</b> — R/W. 0 = Disable. 1 = Enables the setting of the AC97_STS to generate a wake event. <b>NOTE:</b> This bit is also used for Intel® High Definition Audio when the Intel High Definition Audio host controller is enabled rather than the AC97 host controller.
4	<b>USB2_EN</b> — R/W. 0 = Disable. 1 = Enables the setting of the USB2_STS to generate a wake event.
3	<b>USB1_EN</b> — R/W. 0 = Disable. 1 = Enables the setting of the USB1_STS to generate a wake event.
2	<b>SWGPE_EN</b> — R/W. This bit allows software to control the assertion of SWGPE_STS bit. This bit, when set to 1, enables the SW GPE function. If SWGPE_CTRL is written to a 1, hardware will set SWGPE_STS (acts as a level input) If SWGPE_STS, SWGPE_EN, and SCI_EN are all 1s, an SCI will be generated If SWGPE_STS = 1, SWGPE_EN = 1, SCI_EN = 0, and GBL_SMI_EN = 1, then an SMI# will be generated



Bit	Description
1 (Desktop and Mobile Only)	<b>HOT_PLUG_EN</b> — R/W. 0 = Disables SCI generation upon the HOT_PLUG_STS bit being set. 1 = Enables the Intel® ICH7 to cause an SCI when the HOT_PLUG_STS bit is set. This is used to allow the PCI Express ports to cause an SCI due to hot-plug events.
1 (Ultra Mobile Only)	Reserved
0	<b>THRM_EN</b> — R/W. 0 = Disable. 1 = Active assertion of the THRM# signal (as defined by the THRM_POL bit) will set the THRM_STS bit and generate a power management event (SCI or SMI).



### 10.8.3.12 SMI\_EN—SMI Control and Enable Register

I/O Address:	PMBASE + 30h	Attribute:	R/W, R/W (special), WO
Default Value:	00000000h	Size:	32 bit
Lockable:	No	Usage:	ACPI or Legacy
Power Well:	Core		

**Note:** This register is symmetrical to the SMI status register.

Bit	Description
31:26	Reserved
25	<b>Intel® ICH7DH Only:</b> <b>EL_SMI_EN</b> — R/W. 0 = Disable 1 = Software sets this bit to enable Intel Quick Resume Technology logic to cause SMI# <b>ICH7 and ICH7R and Mobile/Ultra Mobile Only:</b> Reserved
24:19	Reserved
18	<b>INTEL_USB2_EN</b> — R/W. 0 = Disable 1 = Enables Intel-Specific USB2 SMI logic to cause SMI#.
17	<b>LEGACY_USB2_EN</b> — R/W. 0 = Disable 1 = Enables legacy USB2 logic to cause SMI#.
16:15	Reserved
14	<b>PERIODIC_EN</b> — R/W. 0 = Disable. 1 = Enables the Intel® ICH7 to generate an SMI# when the PERIODIC_STS bit (PMBASE + 34h, bit 14) is set in the SMI_STS register (PMBASE + 34h).
13	<b>TCO_EN</b> — R/W. 0 = Disables TCO logic generating an SMI#. Note that if the NMI2SMI_EN bit is set, SMIs that are caused by re-routed NMIs will not be gated by the TCO_EN bit. Even if the TCO_EN bit is 0, NMIs will still be routed to cause SMIs. 1 = Enables the TCO logic to generate SMI#.
12	Reserved
11	<b>MCSMI_EN</b> Microcontroller SMI Enable ( <b>MCSMI_EN</b> ) — R/W. 0 = Disable. 1 = Enables ICH7 to trap accesses to the microcontroller range (62h or 66h) and generate an SMI#. Note that “trapped” cycles will be claimed by the ICH7 on PCI, but not forwarded to LPC.
10:8	Reserved



Bit	Description
7	<p><b>BIOS Release (BIOS_RLS)</b> — WO.</p> <p>0 = This bit will always return 0 on reads. Writes of 0 to this bit have no effect.            1 = Enables the generation of an SCI interrupt for ACPI software when a one is written to this bit position by BIOS software.</p> <p><b>NOTE:</b> GBL_STS being set will cause an SCI, even if the SCI_EN bit is not set. Software must take great care not to set the BIOS_RLS bit (which causes GBL_STS to be set) if the SCI handler is not in place.</p>
6	<p><b>Software SMI# Timer Enable (SWSMI_TMR_EN)</b> — R/W.</p> <p>0 = Disable. Clearing the SWSMI_TMR_EN bit before the timer expires will reset the timer and the SMI# will not be generated.            1 = Starts Software SMI# Timer. When the SWSMI timer expires (the timeout period depends upon the SWSMI_RATE_SEL bit setting), SWSMI_TMR_STS is set and an SMI# is generated. SWSMI_TMR_EN stays set until cleared by software.</p>
5	<p><b>APMC_EN</b> — R/W.</p> <p>0 = Disable. Writes to the APM_CNT register will not cause an SMI#.            1 = Enables writes to the APM_CNT register to cause an SMI#.</p>
4	<p><b>SLP_SMI_EN</b> — R/W.</p> <p>0 = Disables the generation of SMI# on SLP_EN. Note that this bit must be 0 before the software attempts to transition the system into a sleep state by writing a 1 to the SLP_EN bit.            1 = A write of 1 to the SLP_EN bit (bit 13 in PM1_CNT register) will generate an SMI#, and the system will not transition to the sleep state based on that write to the SLP_EN bit.</p>
3	<p><b>LEGACY_USB_EN</b> — R/W.</p> <p>0 = Disable.            1 = Enables legacy USB circuit to cause SMI#.</p>
2	<p><b>BIOS_EN</b> — R/W.</p> <p>0 = Disable.            1 = Enables the generation of SMI# when ACPI software writes a 1 to the GBL_RLS bit (D31:F0:PMBase + 04h:bit 2). Note that if the BIOS_STS bit (D31:F0:PMBase + 34h:bit 2), which gets set when software writes 1 to GBL_RLS bit, is already a 1 at the time that BIOS_EN becomes 1, an SMI# will be generated when BIOS_EN gets set.</p>
1	<p><b>End of SMI (EOS)</b> — R/W (special). This bit controls the arbitration of the SMI signal to the processor. This bit must be set for the Intel® ICH7 to assert SMI# low to the processor after SMI# has been asserted previously.</p> <p>0 = Once the ICH7 asserts SMI# low, the EOS bit is automatically cleared.            1 = When this bit is set to 1, SMI# signal will be deasserted for 4 PCI clocks before its assertion. In the SMI handler, the processor should clear all pending SMIs (by servicing them and then clearing their respective status bits), set the EOS bit, and exit SMM. This will allow the SMI arbiter to re-assert SMI upon detection of an SMI event and the setting of a SMI status bit.</p> <p><b>NOTE:</b> ICH7 is able to generate 1st SMI after reset even though EOS bit is not set. Subsequent SMI require EOS bit is set.</p>
0	<p><b>GBL_SMI_EN</b> — R/W.</p> <p>0 = No SMI# will be generated by ICH7. This bit is reset by a PCI reset event.            1 = Enables the generation of SMI# in the system upon any enabled SMI event.</p> <p><b>NOTE:</b> When the SMI_LOCK bit is set, this bit cannot be changed.</p>





### 10.8.3.13 SMI\_STS—SMI Status Register

I/O Address:	PMBASE + 34h	Attribute:	RO, R/WC
Default Value:	00000000h	Size:	32-bit
Lockable:	No	Usage:	ACPI or Legacy
Power Well:	Core		

**Note:** If the corresponding \_EN bit is set when the \_STS bit is set, the ICH7 will cause an SMI# (except bits 8–10 and 12, which do not need enable bits since they are logic ORs of other registers that have enable bits). The ICH7 uses the same GPE0\_EN register (I/O address: PMBase+2Ch) to enable/disable both SMI and ACPI SCI general purpose input events. ACPI OS assumes that it owns the entire GPE0\_EN register per ACPI spec. Problems arise when some of the general-purpose inputs are enabled as SMI by BIOS, and some of the general purpose inputs are enabled for SCI. In this case ACPI OS turns off the enabled bit for any GPIx input signals that are not indicated as SCI general-purpose events at boot, and exit from sleeping states. BIOS should define a dummy control method which prevents the ACPI OS from clearing the SMI GPE0\_EN bits.

Bit	Description
31:27	Reserved
26 (Desktop and Mobile Only)	<b>SPI_STS</b> — RO. This bit will be set if the SPI logic is generating an SMI#. This bit is read only because the sticky status and enable bits associated with this function are located in the SPI registers.
26 (Ultra Mobile Only)	Reserved
25 (Desktop Only)	<b>Intel® ICH7DH Only:</b> <b>EL_SMI_STS</b> — RO. This bit will be set if the Intel Quick Resume Technology logic is generating an SMI#. Writing a 1 to this bit clears this bit to '0'. <b>ICH7 and ICH7R Only:</b> Reserved.
25 (Mobile Only)	Reserved
24:22	Reserved
21	<b>MONITOR_STS</b> — RO. This bit will be set if the Trap/SMI logic has caused the SMI. This will occur when the processor or a bus master accesses an assigned register (or a sequence of accesses). See <a href="#">Section 7.1.36</a> through <a href="#">Section 7.1.39</a> for details on the specific cause of the SMI.
20 (Desktop and Mobile Only)	<b>PCI_EXP_SMI_STS</b> — RO. PCI Express* SMI event occurred. This could be due to a PCI Express PME event or Hot-Plug event.
20 (Ultra Mobile Only)	Reserved
19	Reserved



Bit	Description
18	<b>INTEL_USB2_STS</b> — RO. This non-sticky read-only bit is a logical OR of each of the SMI status bits in the Intel-Specific USB2 SMI Status Register ANDed with the corresponding enable bits. This bit will not be active if the enable bits are not set. Writes to this bit will have no effect.
17	<b>LEGACY_USB2_STS</b> — RO. This non-sticky read-only bit is a logical OR of each of the SMI status bits in the USB2 Legacy Support Register ANDed with the corresponding enable bits. This bit will not be active if the enable bits are not set. Writes to this bit will have no effect.
16	<b>SMBus SMI Status (SMBUS_SMI_STS)</b> — R/WC. Software clears this bit by writing a 1 to it. 0 = This bit is set from the 64 kHz clock domain used by the SMBus. Software must wait at least 15.63 us after the initial assertion of this bit before clearing it. 1 = Indicates that the SMI# was caused by: 1. The SMBus Slave receiving a message that an SMI# should be caused, or 2. The SMBALERT# signal goes active and the SMB_SMI_EN bit is set and the SMBALERT_DIS bit is cleared, or 3. The SMBus Slave receiving a Host Notify message and the HOST_NOTIFY_INTREN and the SMB_SMI_EN bits are set, or 4. The ICH7 detecting the SMLINK_SLAVE_SMI command while in the S0 state.
15	<b>SERIRQ_SMI_STS</b> — RO. 0 = SMI# was not caused by the SERIRQ decoder. 1 = Indicates that the SMI# was caused by the SERIRQ decoder. <b>NOTE:</b> This is not a sticky bit
14	<b>PERIODIC_STS</b> — R/WC. Software clears this bit by writing a 1 to it. 0 = Software clears this bit by writing a 1 to it. 1 = This bit is set at the rate determined by the PER_SMI_SEL bits. If the PERIODIC_EN bit (PMBASE + 30h, bit 14) is also set, the Intel® ICH7 generates an SMI#.
13	<b>TCO_STS</b> — R/WC. Software clears this bit by writing a 1 to it. 0 = SMI# not caused by TCO logic. 1 = Indicates the SMI# was caused by the TCO logic. Note that this is not a wake event.
12	<b>Device Monitor Status (DEVMON_STS)</b> — RO. 0 = SMI# not caused by Device Monitor. 1 = Set if bit 0 of the DEVACT_STS register (PMBASE + 44h) is set. The bit is not sticky, so writes to this bit will have no effect.
11	<b>Microcontroller SMI# Status (MCSMI_STS)</b> — R/WC. Software clears this bit by writing a 1 to it. 0 = Indicates that there has been no access to the power management microcontroller range (62h or 66h). 1 = Set if there has been an access to the power management microcontroller range (62h or 66h) and the Microcontroller Decode Enable #1 bit in the LPC Bridge I/O Enables configuration register is 1 (D31:F0:Offset 82h:bit 11). Note that this implementation assumes that the Microcontroller is on LPC. If this bit is set, and the MCSMI_EN bit is also set, the ICH7 will generate an SMI#.



Bit	Description
10	<p><b>GPI_STS</b> — RO. This bit is a logical OR of the bits in the ALT_GP_SMI_STS register that are also set up to cause an SMI# (as indicated by the GPI_ROUT registers) and have the corresponding bit set in the ALT_GP_SMI_EN register. Bits that are not routed to cause an SMI# will have no effect on this bit.</p> <p>0 = SMI# was not generated by a GPI assertion. 1 = SMI# was generated by a GPI assertion.</p>
9	<p><b>GPE0_STS</b> — RO. This bit is a logical OR of the bits 14:10, 8:2, and 0 in the GPE0_STS register (PMBASE + 28h) that also have the corresponding bit set in the GPE0_EN register (PMBASE + 2Ch).</p> <p>0 = SMI# was not generated by a GPE0 event. 1 = SMI# was generated by a GPE0 event.</p>
8	<p><b>PM1_STS_REG</b> — RO. This is an ORs of the bits in the ACPI PM1 Status Register (offset PMBASE+00h) that can cause an SMI#.</p> <p>0 = SMI# was not generated by a PM1_STS event. 1 = SMI# was generated by a PM1_STS event.</p>
7	Reserved
6	<p><b>SWSMI_TMR_STS</b> — R/WC. Software clears this bit by writing a 1 to it.</p> <p>0 = Software SMI# Timer has Not expired. 1 = Set by the hardware when the Software SMI# Timer expires.</p>
5	<p><b>APM_STS</b> — R/WC. Software clears this bit by writing a 1 to it.</p> <p>0 = No SMI# generated by write access to APM Control register with APMCH_EN bit set. 1 = SMI# was generated by a write access to the APM Control register with the APMC_EN bit set.</p>
4	<p><b>SLP_SMI_STS</b> — R/WC. Software clears this bit by writing a 1 to the bit location.</p> <p>0 = No SMI# caused by write of 1 to SLP_EN bit when SLP_SMI_EN bit is also set. 1 = Indicates an SMI# was caused by a write of 1 to SLP_EN bit when SLP_SMI_EN bit is also set.</p>
3	<p><b>LEGACY_USB_STS</b> — RO. This bit is a logical OR of each of the SMI status bits in the USB Legacy Keyboard/Mouse Control Registers ANDed with the corresponding enable bits. This bit will not be active if the enable bits are not set.</p> <p>0 = SMI# was not generated by USB Legacy event. 1 = SMI# was generated by USB Legacy event.</p>
2	<p><b>BIOS_STS</b> — R/WC.</p> <p>0 = No SMI# generated due to ACPI software requesting attention. 1 = This bit gets set by hardware when a 1 is written by software to the GBL_RLS bit (D31:F0:PMBase + 04h:bit 2). When both the BIOS_EN bit (D31:F0:PMBase + 30h:bit 2) and the BIOS_STS bit are set, an SMI# will be generated. The BIOS_STS bit is cleared when software writes a 1 to its bit position.</p>
1:0	Reserved



### 10.8.3.14 ALT\_GP\_SMI\_EN—Alternate GPI SMI Enable Register

I/O Address:	PMBASE + 38h	Attribute:	R/W
Default Value:	0000h	Size:	16-bit
Lockable:	No	Usage:	ACPI or Legacy
Power Well:	Resume		

Bit	Description
15:0	<p><b>Alternate GPI SMI Enable</b> — R/W. These bits are used to enable the corresponding GPIO to cause an SMI#. For these bits to have any effect, the following must be true.</p> <ul style="list-style-type: none"><li>• The corresponding bit in the ALT_GP_SMI_EN register is set.</li><li>• The corresponding GPI must be routed in the GPI_ROUT register to cause an SMI.</li><li>• The corresponding GPIO must be implemented.</li></ul> <p><b>NOTE:</b> Mapping is as follows: bit 15 corresponds to GPIO15 ... bit 0 corresponds to GPIO0.</p>

### 10.8.3.15 ALT\_GP\_SMI\_STS—Alternate GPI SMI Status Register

I/O Address:	PMBASE + 3Ah	Attribute:	R/WC
Default Value:	0000h	Size:	16-bit
Lockable:	No	Usage:	ACPI or Legacy
Power Well:	Resume		

Bit	Description
15:0	<p><b>Alternate GPI SMI Status</b> — R/WC. These bits report the status of the corresponding GPIOs.</p> <p>0 = Inactive. Software clears this bit by writing a 1 to it. 1 = Active</p> <p>These bits are sticky. If the following conditions are true, then an SMI# will be generated and the GPE0_STS bit set:</p> <ul style="list-style-type: none"><li>• The corresponding bit in the ALT_GPI_SMI_EN register (PMBASE + 38h) is set</li><li>• The corresponding GPIO must be routed in the GPI_ROUT register to cause an SMI.</li><li>• The corresponding GPIO must be implemented.</li></ul> <p>All bits are in the resume well. Default for these bits is dependent on the state of the GPIO pins.</p>



### 10.8.3.16 GPE\_CNTL— General Purpose Control Register

I/O Address:	PMBASE +42h	Attribute:	R/W
Default Value:	00h	Size:	8-bit
Lockable:	No	Usage:	ACPI or Legacy
Power Well:	Resume		

Bit	Description
7:2	Reserved
1	<b>SWGPE_CTRL</b> — R/W. This bit allows software to control the assertion of SWGPE_STS bit. This bit is used by hardware as the level input signal for the SWGPE_STS bit in the GPE0_STS register. When SWGPE_CTRL is 1, SWGPE_STS will be set to 1, and writes to SWGPE_STS with a value of 1 to clear SWGPE_STS will result in SWGPE_STS being set back to 1 by hardware. When SWGPE_CTRL is 0, writes to SWGPE_STS with a value of 1 will clear SWGPE_STS to 0.
0	<b>THRM#_POL</b> — R/W. This bit controls the polarity of the THRM# pin needed to set the THRM_STS bit. 0 = Low value on the THRM# signal will set the THRM_STS bit. 1 = HIGH value on the THRM# signal will set the THRM_STS bit.



### 10.8.3.17 DEVACT\_STS — Device Activity Status Register

I/O Address:	PMBASE + 44h	Attribute:	R/WC
Default Value:	0000h	Size:	16-bit
Lockable:	No	Usage:	Legacy Only
Power Well:	Core		

Each bit indicates if an access has occurred to the corresponding device's trap range, or for bits 6:9 if the corresponding PCI interrupt is active. This register is used in conjunction with the Periodic SMI# timer to detect any system activity for legacy power management. The periodic SMI# timer indicates if it is the right time to read the DEVACT\_STS register (PMBASE + 44h).

**Note:** Software clears bits that are set in this register by writing a 1 to the bit position.

Bit	Description
15:13	Reserved
12	<b>KBC_ACT_STS</b> — R/WC. KBC (60/64h). 0 = Indicates that there has been no access to this device's I/O range. 1 = This device's I/O range has been accessed. Clear this bit by writing a 1 to the bit location.
11:10	Reserved
9	<b>PIRQDH_ACT_STS</b> — R/WC. PIRQ[D or H]. 0 = The corresponding PCI interrupts have not been active. 1 = At least one of the corresponding PCI interrupts has been active. Clear this bit by writing a 1 to the bit location.
8	<b>PIRQCG_ACT_STS</b> — R/WC. PIRQ[C or G]. 0 = The corresponding PCI interrupts have not been active. 1 = At least one of the corresponding PCI interrupts has been active. Clear this bit by writing a 1 to the bit location.
7	<b>PIRQBF_ACT_STS</b> — R/WC. PIRQ[B or F]. 0 = The corresponding PCI interrupts have not been active. 1 = At least one of the corresponding PCI interrupts has been active. Clear this bit by writing a 1 to the bit location.
6	<b>PIRQAE_ACT_STS</b> — R/WC. PIRQ[A or E]. 0 = The corresponding PCI interrupts have not been active. 1 = At least one of the corresponding PCI interrupts has been active. Clear this bit by writing a 1 to the bit location.
5:1	Reserved
0	<b>IDE_ACT_STS</b> — R/WC. IDE Primary Drive 0 and Drive 1. 0 = Indicates that there has been no access to this device's I/O range. 1 = This device's I/O range has been accessed. The enable bit is in the ATC register (D31:F1: Offset C0h). Clear this bit by writing a 1 to the bit location.



### 10.8.3.18 SS\_CNT— Intel SpeedStep® Technology Control Register (Mobile/Ultra Mobile Only)

I/O Address:	PMBASE +50h	Attribute:	R/W (special)
Default Value	01h	Size:	8-bit
Lockable:	No	Usage:	ACPI/Legacy
Power Well:	Core		

**Note:** Writes to this register will initiate an Intel SpeedStep technology transition that involves a temporary transition to a C3-like state in which the STPCLK# signal will go active. An Intel SpeedStep technology transition **always** occur on writes to the SS\_CNT register, even if the value written to SS\_STATE is the same as the previous value (after this “transition” the system would still be in the same Intel SpeedStep technology state). If the SS\_EN bit is 0, then writes to this register will have no effect and reads will return 0.

Bit	Description
7:1	Reserved
0	<p><b>SS_STATE</b> (Intel SpeedStep® technology State) — R/W (Special). When this bit is read, it returns the last value written to this register. By convention, this will be the current Intel SpeedStep technology state. Writes to this register causes a change to the Intel SpeedStep technology state indicated by the value written to this bit. If the new value for SS_STATE is the same as the previous value, then transition will still occur.</p> <p>0 = High power state. 1 = Low power state</p> <p><b>NOTE:</b> This is only a convention because the transition is the same regardless of the value written to this bit.</p>

### 10.8.3.19 C3\_RES— C3 Residency Register (Mobile/Ultra Mobile Only)

I/O Address:	PMBASE +54h	Attribute:	R/W/RO
Default Value	00000000h	Size:	32-bit
Lockable:	No	Usage:	ACPI/Legacy
Power Well:	Core		

The value in this field increments at the same rate as the Power Management Timer. This field increments while STP\_CPU# is active (i.e. the CPU is in a C3 or C4 state). This field will roll over in the same way as the Power Management Timer, however the most significant bit is NOT sticky.

Bit	Description
31:24	Reserved
23:0	<p>C3_RESIDENCY — RO. The value in this field increments at the same rate as the Power Management Timer. If the C3_RESEDENCY_MODE bit is clear, this field automatically resets to 0 at the point when the Lvl3 or Lvl4 read occurs. If the C3_RESIDENCY_MODE bit is set, the register does not reset when the Lvl3 or Lvl4 read occurs. In either mode, it increments while STP_CPU# is active (i.e., the processor is in a C3 or C4 state). This field will roll over in the same way as the PM Timer, however the most significant bit is NOT sticky.</p> <p>Software is responsible for reading this field before performing the Lvl3/4 transition. Software must also check for rollover if the maximum time in C3/C4 could be exceeded.</p> <p><b>NOTE:</b> Hardware reset is the only reset of this counter field.</p>



## 10.9 System Management TCO Registers (D31:F0)

The TCO logic is accessed via registers mapped to the PCI configuration space (Device 31:Function 0) and the system I/O space. For TCO PCI Configuration registers, see LPC Device 31:Function 0 PCI Configuration registers.

### TCO Register I/O Map

The TCO I/O registers reside in a 32-byte range pointed to by a TCOBASE value, which is, PMBASE + 60h in the PCI configuration space. The following table shows the mapping of the registers within that 32-byte range. Each register is described in the following sections.

Table 10-12. TCO I/O Register Address Map

TCOBASE + Offset	Mnemonic	Register Name	Default	Type
00h–01h	TCO_RLD	TCO Timer Reload and Current Value	0000h	R/W
02h	TCO_DAT_IN	TCO Data In	00h	R/W
03h	TCO_DAT_OUT	TCO Data Out	00h	R/W
04h–05h	TCO1_STS	TCO1 Status	0000h	R/WC, RO
06h–07h	TCO2_STS	TCO2 Status	0000h	R/W, R/WC
08h–09h	TCO1_CNT	TCO1 Control	0000h	R/W, R/W (special), R/WC
0Ah–0Bh	TCO2_CNT	TCO2 Control	0008h	R/W
0Ch–0Dh	TCO_MESSAGE1, TCO_MESSAGE2	TCO Message 1 and 2	00h	R/W
0Eh	TCO_WDCNT	Watchdog Control	00h	R/W
0Fh	—	Reserved	—	—
10h	SW_IRQ_GEN	Software IRQ Generation	11h	R/W
11h	—	Reserved	—	—
12h–13h	TCO_TMR	TCO Timer Initial Value	0004h	R/W
14h–1Fh	—	Reserved	—	—

### 10.9.1 TCO\_RLD—TCO Timer Reload and Current Value Register

I/O Address: TCOBASE + 00h      Attribute: R/W  
 Default Value: 0000h      Size: 16-bit  
 Lockable: No      Power Well: Core

Bit	Description
15:10	Reserved
9:0	<b>TCO Timer Value</b> — R/W. Reading this register will return the current count of the TCO timer. Writing any value to this register will reload the timer to prevent the timeout.





### 10.9.2 TCO\_DAT\_IN—TCO Data In Register

I/O Address: TCOBASE +02h      Attribute: R/W  
 Default Value: 00h      Size: 8-bit  
 Lockable: No      Power Well: Core

Bit	Description
7:0	<b>TCO Data In Value</b> — R/W. This data register field is used for passing commands from the OS to the SMI handler. Writes to this register will cause an SMI and set the SW_TCO_SMI bit in the TCO1_STS register (D31:F0:04h).

### 10.9.3 TCO\_DAT\_OUT—TCO Data Out Register

I/O Address: TCOBASE +03h      Attribute: R/W  
 Default Value: 00h      Size: 8-bit  
 Lockable: No      Power Well: Core

Bit	Description
7:0	<b>TCO Data Out Value</b> — R/W. This data register field is used for passing commands from the SMI handler to the OS. Writes to this register will set the TCO_INT_STS bit in the TCO_STS register. It will also cause an interrupt, as selected by the TCO_INT_SEL bits.

### 10.9.4 TCO1\_STS—TCO1 Status Register

I/O Address: TCOBASE +04h      Attribute: R/WC, RO  
 Default Value: 0000h      Size: 16-bit  
 Lockable: No      Power Well: Core  
 (Except bit 7, in RTC)

Bit	Description
15:13	Reserved
12	<b>DMISERR_STS</b> — R/WC. 0 = Software clears this bit by writing a 1 to it. 1 = Intel® ICH7 received a DMI special cycle message via DMI indicating that it wants to cause an SERR#. The software must read the (G)MCH to determine the reason for the SERR#.
11	Reserved
10	<b>DMISMI_STS</b> — R/WC. 0 = Software clears this bit by writing a 1 to it. 1 = ICH7 received a DMI special cycle message via DMI indicating that it wants to cause an SMI. The software must read the (G)MCH to determine the reason for the SMI.
9	<b>DMISCI_STS</b> — R/WC. 0 = Software clears this bit by writing a 1 to it. 1 = ICH7 received a DMI special cycle message via DMI indicating that it wants to cause an SCI. The software must read the (G)MCH to determine the reason for the SCI.



Bit	Description
8	<p><b>BIOSWR_STS</b> — R/WC.</p> <p>0 = Software clears this bit by writing a 1 to it.            1 = ICH7 sets this bit and generates an SMI# to indicate an invalid attempt to write to the BIOS. This occurs when either:            a) The BIOSWP bit is changed from 0 to 1 and the BLD bit is also set, or            b) any write is attempted to the BIOS and the BIOSWP bit is also set.</p> <p><b>NOTE:</b> On write cycles attempted to the 4 MB lower alias to the BIOS space, the BIOSWR_STS will not be set.</p>
7	<p><b>NEWCENTURY_STS</b> — R/WC. This bit is in the RTC well.</p> <p>0 = Cleared by writing a 1 to the bit position or by RTCRST# going active.            1 = This bit is set when the Year byte (RTC I/O space, index offset 09h) rolls over from 99 to 00. Setting this bit will cause an SMI# (but not a wake event).</p> <p><b>NOTE:</b> The NEWCENTURY_STS bit is not valid when the RTC battery is first installed (or when RTC power has not been maintained). Software can determine if RTC power has not been maintained by checking the RTC_PWR_STS bit (D31:F0:A4h, bit 2), or by other means (such as a checksum on RTC RAM). If RTC power is determined to have not been maintained, BIOS should set the time to a legal value and then clear the NEWCENTURY_STS bit.</p> <p>The NEWCENTURY_STS bit may take up to 3 RTC clocks for the bit to be cleared after a 1 is written to the bit to clear it. After writing a 1 to this bit, software should not exit the SMI handler until verifying that the bit has actually been cleared. This will ensure that the SMI is not re-entered.</p>
6:4	Reserved
3	<p><b>TIMEOUT</b> — R/WC.</p> <p>0 = Software clears this bit by writing a 1 to it.            1 = Set by ICH7 to indicate that the SMI was caused by the TCO timer reaching 0.</p>
2	<p><b>TCO_INT_STS</b> — R/WC.</p> <p>0 = Software clears this bit by writing a 1 to it.            1 = SMI handler caused the interrupt by writing to the TCO_DAT_OUT register (TCOBASE + 03h).</p>
1	<p><b>SW_TCO_SMI</b> — R/WC.</p> <p>0 = Software clears this bit by writing a 1 to it.            1 = Software caused an SMI# by writing to the TCO_DAT_IN register (TCOBASE + 02h).</p>
0	<p><b>NMI2SMI_STS</b> — RO.</p> <p>0 = Cleared by clearing the associated NMI status bit.            1 = Set by the ICH7 when an SMI# occurs because an event occurred that would otherwise have caused an NMI (because NMI2SMI_EN is set).</p>



## 10.9.5 TCO2\_STS—TCO2 Status Register

I/O Address:	TCOBASE +06h	Attribute:	R/W, R/WC
Default Value:	0000h	Size:	16-bit
Lockable:	No	Power Well:	Resume (Except Bit 0, in RTC)

Bit	Description
15:5	Reserved
4	<p><b>SMLink Slave SMI Status (SMLINK_SLV_SMI_STS)</b> — R/WC. Allow the software to go directly into pre-determined sleep state. This avoids race conditions. Software clears this bit by writing a 1 to it.</p> <p>0 = The bit is reset by RSMRST#, but not due to the PCI Reset associated with exit from S3–S5 states.</p> <p>1 = Intel® ICH7 sets this bit to 1 when it receives the SMI message on the SMLink's Slave Interface.</p>
3	Reserved
2	<p><b>BOOT_STS</b> — R/WC.</p> <p>0 = Cleared by ICH7 based on RSMRST# or by software writing a 1 to this bit. Note that software should first clear the SECOND_TO_STS bit before writing a 1 to clear the BOOT_STS bit.</p> <p>1 = Set to 1 when the SECOND_TO_STS bit goes from 0 to 1 and the processor has not fetched the first instruction.</p> <p>If rebooting due to a second TCO timer timeout, and if the BOOT_STS bit is set, the ICH7 will reboot using the 'safe' multiplier (1111). This allows the system to recover from a processor frequency multiplier that is too high, and allows the BIOS to check the BOOT_STS bit at boot. If the bit is set and the frequency multiplier is 1111, then the BIOS knows that the processor has been programmed to an invalid multiplier.</p>
1	<p><b>SECOND_TO_STS</b> — R/WC.</p> <p>0 = Software clears this bit by writing a 1 to it, or by a RSMRST#.</p> <p>1 = ICH7 sets this bit to 1 to indicate that the TIMEOUT bit had been (or is currently) set and a second timeout occurred before the TCO_RLD register was written. If this bit is set and the NO_REBOOT config bit is 0, then the ICH7 will reboot the system after the second timeout. The reboot is done by asserting PLTRST#.</p>
0	<p><b>Intruder Detect (INTRD_DET)</b> — R/WC.</p> <p>0 = Software clears this bit by writing a 1 to it, or by RTCRST# assertion.</p> <p>1 = Set by ICH7 to indicate that an intrusion was detected. This bit is set even if the system is in G3 state.</p> <p><b>NOTE:</b> This bit has a recovery time. After writing a 1 to this bit position (to clear it), the bit may be read back as a 1 for up to 65 microseconds before it is read as a 0. Software must be aware of this recovery time when reading this bit after clearing it.</p> <p><b>NOTE:</b> If the INTRUDER# signal is active when the software attempts to clear the INTRD_DET bit, the bit will remain as a 1, and the SMI# will be generated again immediately. The SMI handler can clear the INTRD_SEL bits (TCOBASE + 0Ah, bits 2:1), to avoid further SMIs. However, if the INTRUDER# signal goes inactive and then active again, there will not be further SMI's (because the INTRD_SEL bits would select that no SMI# be generated).</p> <p><b>NOTE:</b> If the INTRUDER# signal goes inactive some point after the INTRD_DET bit is written as a 1, then the INTRD_DET signal will go to a 0 when INTRUDER# input signal goes inactive. Note that this is slightly different than a classic sticky bit, since most sticky bits would remain active indefinitely when the signal goes active and would immediately go inactive when a 1 is written to the bit.</p>



### 10.9.6 TCO1\_CNT—TCO1 Control Register

I/O Address: TCOBASE +08h      Attribute: R/W, R/W (special), R/WC  
 Default Value: 0000h      Size: 16-bit  
 Lockable: No      Power Well: Core

Bit	Description															
15:13	Reserved															
12	<b>TCO_LOCK</b> — R/W (special). When set to 1, this bit prevents writes from changing the TCO_EN bit (in offset 30h of Power Management I/O space). Once this bit is set to 1, it can not be cleared by software writing a 0 to this bit location. A core-well reset is required to change this bit from 1 to 0. This bit defaults to 0.															
11	<b>TCO Timer Halt (TCO_TMR_HLT)</b> — R/W. 0 = The TCO Timer is enabled to count. 1 = The TCO Timer will halt. It will not count, and thus cannot reach a value that will cause an SMI# or set the SECOND_TO_STS bit. When set, this bit will prevent rebooting and prevent Alert On LAN event messages from being transmitted on the SMLINK (but not Alert On LAN* heartbeat messages).															
10	<b>SEND_NOW</b> — R/W (special). 0 = The Intel® ICH7 will clear this bit when it has completed sending the message. Software must not set this bit to 1 again until the ICH7 has set it back to 0. 1 = ICH7 sends an Alert On LAN Event message over the SMLINK interface, with the Software Event bit set. Setting the SEND_NOW bit causes the ICH7 integrated LAN controller to reset, which can have unpredictable side-effects. Unless software protects against these side effects, software should not attempt to set this bit.															
9	<b>NMI2SMI_EN</b> — R/W. 0 = Normal NMI functionality. 1 = Forces all NMIs to instead cause SMIs. The functionality of this bit is dependent upon the settings of the NMI_EN bit and the GBL_SMI_EN bit as detailed in the following table: <table border="1" style="margin-left: 20px;"> <thead> <tr> <th>NMI_EN</th> <th>GBL_SMI_EN</th> <th>Description</th> </tr> </thead> <tbody> <tr> <td>0b</td> <td>0b</td> <td>No SMI# at all because GBL_SMI_EN = 0</td> </tr> <tr> <td>0b</td> <td>1b</td> <td>SMI# will be caused due to NMI events</td> </tr> <tr> <td>1b</td> <td>0b</td> <td>No SMI# at all because GBL_SMI_EN = 0</td> </tr> <tr> <td>1b</td> <td>1b</td> <td>No SMI# due to NMI because NMI_EN = 1</td> </tr> </tbody> </table>	NMI_EN	GBL_SMI_EN	Description	0b	0b	No SMI# at all because GBL_SMI_EN = 0	0b	1b	SMI# will be caused due to NMI events	1b	0b	No SMI# at all because GBL_SMI_EN = 0	1b	1b	No SMI# due to NMI because NMI_EN = 1
NMI_EN	GBL_SMI_EN	Description														
0b	0b	No SMI# at all because GBL_SMI_EN = 0														
0b	1b	SMI# will be caused due to NMI events														
1b	0b	No SMI# at all because GBL_SMI_EN = 0														
1b	1b	No SMI# due to NMI because NMI_EN = 1														
8	<b>NMI_NOW</b> — R/WC. 0 = Software clears this bit by writing a 1 to it. The NMI handler is expected to clear this bit. Another NMI will not be generated until the bit is cleared. 1 = Writing a 1 to this bit causes an NMI. This allows the BIOS or SMI handler to force an entry to the NMI handler.															
7:0	Reserved															



### 10.9.7 TCO2\_CNT—TCO2 Control Register

I/O Address: TCOBASE +0Ah      Attribute: R/W  
 Default Value: 0008h      Size: 16-bit  
 Lockable: No      Power Well: Resume

Bit	Description
15:6	Reserved
5:4	<p><b>OS_POLICY</b> — R/W. OS-based software writes to these bits to select the policy that the BIOS will use after the platform resets due the WDT. The following convention is recommended for the BIOS and OS:</p> <p>00 = Boot normally            01 = Shut down            10 = Don't load OS. Hold in pre-boot state and use LAN to determine next step            11 = Reserved</p> <p><b>NOTE:</b> These are just scratchpad bits. They should not be reset when the TCO logic resets the platform due to Watchdog Timer.</p>
3	<p><b>GPIO11_ALERT_DISABLE</b> — R/W. At reset (via RSMRST# asserted) this bit is set and GPIO11 alerts are disabled.</p> <p>0 = Enable.            1 = Disable GPIO11/SMBALERT# as an alert source for the heartbeats and the SMBus slave.</p>
2:1	<p><b>INTRD_SEL</b> — R/W. This field selects the action to take if the INTRUDER# signal goes active.</p> <p>00 = No interrupt or SMI#            01 = Interrupt (as selected by TCO_INT_SEL).            10 = SMI            11 = Reserved</p>
0	Reserved

### 10.9.8 TCO\_MESSAGE1 and TCO\_MESSAGE2 Registers

I/O Address: TCOBASE +0Ch (Message 1)      Attribute: R/W  
                   TCOBASE +0Dh (Message 2)  
 Default Value: 00h      Size: 8-bit  
 Lockable: No      Power Well: Resume

Bit	Description
7:0	<p><b>TCO_MESSAGE[n]</b> — R/W. The value written into this register will be sent out via the SMLINK interface in the MESSAGE field of the Alert On LAN message. BIOS can write to this register to indicate its boot progress which can be monitored externally.</p>



### 10.9.9 TCO\_WDCNT—TCO Watchdog Control Register

Offset Address: TCOBASE + 0Eh      Attribute: R/W  
Default Value: 00h      Size: 8 bits  
Power Well: Resume

Bit	Description
7:0	<b>Watchdog Status (WDSTATUS)</b> — R/W. The value written to this register will be sent in the Alert On LAN message on the SMLINK interface. It can be used by the BIOS or system management software to indicate more details on the boot progress. This register will be reset to the default of 00h based on RSMRST# (but not PCI reset).

### 10.9.10 SW\_IRQ\_GEN—Software IRQ Generation Register

Offset Address: TCOBASE + 10h      Attribute: R/W  
Default Value: 11h      Size: 8 bits  
Power Well: Core

Bit	Description
7:2	Reserved
1	<b>IRQ12_CAUSE</b> — R/W. The state of this bit is logically ANDed with the IRQ12 signal as received by the Intel® ICH7's SERIRQ logic. This bit must be a 1 (default) if the ICH7 is expected to receive IRQ12 assertions from a SERIRQ device.
0	<b>IRQ1_CAUSE</b> — R/W. The state of this bit is logically ANDed with the IRQ1 signal as received by the ICH7's SERIRQ logic. This bit must be a 1 (default) if the ICH7 is expected to receive IRQ1 assertions from a SERIRQ device.

### 10.9.11 TCO\_TMR—TCO Timer Initial Value Register

I/O Address: TCOBASE + 12h      Attribute: R/W  
Default Value: 0004h      Size: 16-bit  
Lockable: No      Power Well: Core

Bit	Description
15:10	Reserved
9:0	<b>TCO Timer Initial Value</b> — R/W. Value that is loaded into the timer each time the TCO_RLD register is written. Values of 0000h or 0001h will be ignored and should not be attempted. The timer is clocked at approximately 0.6 seconds, and thus allows timeouts ranging from 1.2 second to 613.8 seconds. Note: The timer has an error of $\pm 1$ tick (0.6s). The TCO Timer will only count down in the S0 state.



## 10.10 General Purpose I/O Registers (D31:F0)

The control for the general purpose I/O signals is handled through a separate 64-byte I/O space. The base offset for this space is selected by the GPIOBASE register.

GPIO Register I/O Address Map

**Table 10-13. Registers to Control GPIO Address Map**

GPIOBASE + Offset	Mnemonic	Register Name	Default	Access
<b>General Registers</b>				
00h–03h	GPIO_USE_SEL	GPIO Use Select	1F3FF7FFh (desktop only) / 1F2AF7FFh (mobile/Ultra Mobile only)	R/W
04h–07h	GP_IO_SEL	GPIO Input/Output Select	E0E8FFFFh	R/W
08h–0Bh	—	Reserved	—	—
0Ch–0Fh	GP_LVL	GPIO Level for Input or Output	02FE0000h	R/W
10h–13h	—	Reserved	—	—
<b>Output Control Registers</b>				
14h–17h	—	Reserved	—	—
18h–1Bh	GPO_BLINK	GPIO Blink Enable	00040000h	R/W
1Ch–1Fh	—	Reserved	—	—
<b>Input Control Registers</b>				
20–2Bh	—	Reserved	—	—
2C–2Fh	GPI_INV	GPIO Signal Invert	00000000h	R/W
30h–33h	GPIO_USE_SEL2	GPIO Use Select 2 [63:32]	000300FFh (desktop only) / 000300FEh (mobile/Ultra Mobile only)	R/W
34h–37h	GP_IO_SEL2	GPIO Input/Output Select 2 [63:32]	000000F0h	R/W
38h–3Bh	GP_LVL2	GPIO Level for Input or Output 2 [63:32]	00030003h	R/W







### 10.10.3 GP\_LVL—GPIO Level for Input or Output Register

Offset Address:	GPIOBASE +0Ch	Attribute:	R/W
Default Value:	02FE0000h	Size:	32-bit
Lockable:	No	Power Well:	Core for 0: 7, 16:23, Resume for 8:15, 24:31

Bit	Description
31:0	<p><b>GP_LVL[31:0]</b>— R/W: If GPIO[n] is programmed to be an output (via the corresponding bit in the GP_IO_SEL register), then the corresponding GP_LVL[n] bit can be updated by software to drive a high or low value on the output pin. 1 = high, 0 = low.</p> <p>If GPIO[n] is programmed as an input, then the corresponding GP_LVL bit reflects the state of the input signal (1 = high, 0 = low.) and writes will have no effect.</p> <p>When configured in native mode (GPIO_USE_SEL[n] is 0), writes to these bits have no effect. The value reported in this register is undefined when programmed as native mode.</p>

### 10.10.4 GPO\_BLINK—GPO Blink Enable Register

Offset Address:	GPIOBASE +18h	Attribute:	R/W
Default Value:	00040000h	Size:	32-bit
Lockable:	No	Power Well:	Core for 0: 7, 16:23, Resume for 8:15, 24:31

Bit	Description
31:0	<p><b>GP_BLINK[31:0]</b> — R/W. The setting of this bit has no effect if the corresponding GPIO signal is programmed as an input.</p> <p>0 = The corresponding GPIO will function normally.</p> <p>1 = If the corresponding GPIO is programmed as an output, the output signal will blink at a rate of approximately once per second. The high and low times have approximately 0.5 seconds each. The GP_LVL bit is not altered when this bit is set.</p> <p>The value of the corresponding GP_LVL bit remains unchanged during the blink process, and does not effect the blink in any way. The GP_LVL bit is not altered when programmed to blink. It will remain at its previous value.</p> <p>These bits correspond to GPIO in the Resume well. These bits revert to the default value based on RSMRST# or a write to the CF9h register (but not just on PLTRST#).</p>

**NOTE:** (Desktop Only) GPIO18 will blink by default immediately after reset. This signal could be connected to an LED to indicate a failed boot (by programming BIOS to clear GP\_BLINK18 after successful POST).



### 10.10.5 GPI\_INV—GPIO Signal Invert Register

Offset Address:	GPIOBASE +2Ch	Attribute:	R/W
Default Value:	00000000h	Size:	32-bit
Lockable:	No	Power Well:	Core for 0: 7, 16: 23, Resume for 8: 15, 24: 31

Bit	Description
31:0	<p><b>GP_INV[n]</b> — R/W. <b>Input Inversion:</b> This bit only has effect if the corresponding GPIO is used as an input and used by the GPE logic, where the polarity matters. When set to 1, then the GPI is inverted as it is sent to the GPE logic that is using it. This bit has no effect on the value that is reported in the GP_LVL register.</p> <p>These bits are used to allow both active-low and active-high inputs to cause SMI# or SCI. Note that in the S0 or S1 state, the input signal must be active for at least two PCI clocks to ensure detection by the Intel® ICH7. In the S3, S4 or S5 states the input signal must be active for at least 2 RTC clocks to ensure detection. The setting of these bits has no effect if the corresponding GPIO is programmed as an output. These bits correspond to GPI that are in the resume well, and will be reset to their default values by RSMRST# or by a write to the CF9h register.</p> <p>0 = The corresponding GPI_STS bit is set when the ICH7 detects the state of the input pin to be high. 1 = The corresponding GPI_STS bit is set when the ICH7 detects the state of the input pin to be low.</p>

### 10.10.6 GPIO\_USE\_SEL2—GPIO Use Select 2 Register[63:32]

Offset Address:	GPIOBASE +30h	Attribute:	R/W
Default Value:	000300FFh (Desktop Only) 000300FEh (Mobile/Ultra Mobile Only)	Size:	32-bit
Lockable:	No	Power Well:	CPU I/O for 17, Core for 16, 7:0

Bit	Description
17:16, 7:0	<p><b>GPIO_USE_SEL2[49:48, 39:32] Bits[17:16, 7:0]</b>— R/W. Each bit in this register enables the corresponding GPIO (if it exists) to be used as a GPIO, rather than for the native function.</p> <p>0 = Signal used as native function. 1 = Signal used as a GPIO.</p> <p>After a full reset (RSMRST#), all multiplexed signals in the resume and core wells are configured as a GPIO rather than as their native function. After just a PLTRST#, the GPIO in the core well are configured as GPIO.</p> <p><b>NOTES:</b></p> <ol style="list-style-type: none"> <li>The following bits are not implemented because there is no corresponding GPIO: 31:18, 15:8.</li> <li>The following bits are not implemented because they are determined by the Desktop/Mobile/Ultra Mobile configuration: 0</li> </ol>



### 10.10.7 GP\_IO\_SEL2—GPIO Input/Output Select 2 Register[63:32]

Offset Address:	GPIOBASE +34h	Attribute:	R/W
Default Value:	000000F0h	Size:	32-bit
Lockable:	No	Power Well:	CPU I/O for 17, Core for 16, 7:0

Bit	Description
31:18, 15:8	Always 0. No corresponding GPIO.
17:16, 7:0	<b>GP_IO_SEL2[49:48, 39:32]</b> — R/W. 0 = GPIO signal is programmed as an output. 1 = Corresponding GPIO signal (if enabled in the GPIO_USE_SEL2 register) is programmed as an input.

### 10.10.8 GP\_LVL2—GPIO Level for Input or Output 2 Register[63:32]

Offset Address:	GPIOBASE +38h	Attribute:	R/W
Default Value:	00030003h	Size:	32-bit
Lockable:	No	Power Well:	CPU I/O for 17, Core for 16:0

Bit	Description
31:18, 15:8	Reserved. Read-only 0
17:16, 7:0	<b>GP_LVL[49:48, 39:32]</b> — R/W. If GPIO[n] is programmed to be an output (via the corresponding bit in the GP_IO_SEL register), then the corresponding GP_LVL[n] bit can be updated by software to drive a high or low value on the output pin. 1 = high, 0 = low. If GPIO[n] is programmed as an input, then the corresponding GP_LVL bit reflects the state of the input signal (1 = high, 0 = low.) and writes will have no effect. When configured in native mode (GPIO_USE_SEL[n] is 0), writes to these bits have no effect. The value reported in this register is undefined when programmed as native mode.

§





# 11 UHCI Controllers Registers

## 11.1 PCI Configuration Registers (USB—D29:F0/F1/F2/F3)

**Note:** Register address locations that are not shown in Table 11-1 and should be treated as Reserved (see Section 6.2 for details).

**Table 11-1. UHCI Controller PCI Register Address Map (USB—D29:F0/F1/F2/F3)**

Offset	Mnemonic	Register Name	Function 0 Default	Function 1 Default	Function 2 Default	Function 3 Default	Type
00–01h	VID	Vendor Identification	8086h	8086h	8086h	8086h	RO
02–03h	DID	Device Identification	See register description	See register description	See register description	See register description	RO
04–05h	PCICMD	PCI Command	0000h	0000h	0000h	0000h	R/W, RO
06–07h	PCISTS	PCI Status	0280h	0280h	0280h	0280h	R/WC, RO
08h	RID	Revision Identification	See register description	See register description	See register description	See register description	RO
09h	PI	Programming Interface	00h	00h	00h	00h	RO
0Ah	SCC	Sub Class Code	03h	03h	03h	03h	RO
0Bh	BCC	Base Class Code	0Ch	0Ch	0Ch	0Ch	RO
0Dh	MLT	Master Latency Timer	00h	00h	00h	00h	RO
0Eh	HEADTYP	Header Type	80h	00h	00h	00h	RO
20–23h	BASE	Base Address	00000001h	00000001h	00000001h	00000001h	R/W, RO
2C–2Dh	SVID	Subsystem Vendor Identification	0000h	0000h	0000h	0000h	R/WO
2E–2Fh	SID	Subsystem Identification	0000h	0000h	0000h	0000h	R/WO
3Ch	INT_LN	Interrupt Line	00h	00h	00h	00h	R/W
3Dh	INT_PN	Interrupt Pin	See register description.	See register description.	See register description.	See register description.	RO
60h	USB_RELNUM	Serial Bus Release Number	10h	10h	10h	10h	RO
C0–C1h	USB_LEGKEY	USB Legacy Keyboard/Mouse Control	2000h	2000h	2000h	2000h	R/W, RO R/WC
C4h	USB_RES	USB Resume Enable	00h	00h	00h	00h	R/W
C8h	CWP	Core Well Policy	00h	00h	00h	00h	R/W

**NOTE:** Refer to the *Intel® I/O Controller Hub 7 (ICH7) Family Specification Update* for the value of the Revision ID Register



### 11.1.1 VID—Vendor Identification Register (USB—D29:F0/F1/F2/F3)

Address Offset: 00h–01h Attribute: RO  
 Default Value: 8086h Size: 16 bits

Bit	Description
15:0	Vendor ID — RO. This is a 16-bit value assigned to Intel

### 11.1.2 DID—Device Identification Register (USB—D29:F0/F1/F2/F3)

Address Offset: 02h–03h Attribute: RO  
 Default Value: UHCI #1 = See bit description Size: 16 bits  
 UHCI #2 = See bit description  
 UHCI #3 = See bit description  
 UHCI #4 = See bit description

Bit	Description
15:0	Device ID — RO. This is a 16-bit value assigned to the Intel® ICH7 USB universal host controllers. Refer to the Intel® I/O Controller Hub 7 (ICH7) Family Specification Update for the value of the Device ID Register.

### 11.1.3 PCICMD—PCI Command Register (USB—D29:F0/F1/F2/F3)

Address Offset: 04h–05h Attribute: R/W, RO  
 Default Value: 0000h Size: 16 bits

Bit	Description
15:11	Reserved
10	<b>Interrupt Disable</b> — R/W. 0 = Enable. The function is able to generate its interrupt to the interrupt controller. 1 = Disable. The function is not capable of generating interrupts.  <b>NOTE:</b> The corresponding Interrupt Status bit is not affected by the interrupt enable.
9	Fast Back to Back Enable (FBE) — RO. Hardwired to 0.
8	SERR# Enable — RO. Reserved as 0.
7	Wait Cycle Control (WCC) — RO. Hardwired to 0.
6	Parity Error Response (PER) — RO. Hardwired to 0.
5	VGA Palette Snoop (VPS) — RO. Hardwired to 0.
4	Postable Memory Write Enable (PMWE) — RO. Hardwired to 0.
3	Special Cycle Enable (SCE) — RO. Hardwired to 0.
2	<b>Bus Master Enable (BME)</b> — R/W. 0 = Disable 1 = Enable. Intel® ICH7 can act as a master on the PCI bus for USB transfers.
1	Memory Space Enable (MSE) — RO. Hardwired to 0.
0	<b>I/O Space Enable (IOSE)</b> — R/W. This bit controls access to the I/O space registers. 0 = Disable 1 = Enable accesses to the USB I/O registers. The Base Address register for USB should be programmed before this bit is set.



### 11.1.4 PCISTS—PCI Status Register (USB—D29:F0/F1/F2/F3)

Address Offset: 06h–07h                      Attribute: R/WC, RO  
 Default Value: 0280h                      Size: 16 bits

**Note:** For the writable bits, software must write a 1 to clear bits that are set. Writing a 0 to the bit has no effect.

Bit	Description
15	<b>Detected Parity Error (DPE)</b> — R/WC. 0 = No parity error detected. 1 = Set when a data parity error is detected on writes to the UHCI register space or on read completions returned to the host controller.
14	Reserved as 0b. Read Only.
13	<b>Received Master Abort (RMA)</b> — R/WC. 0 = No master abort generated by USB. 1 = USB, as a master, generated a master abort.
12	Reserved. Always read as 0.
11	<b>Signaled Target Abort (STA)</b> — R/WC. 0 = Intel® ICH7 did Not terminate transaction for USB function with a target abort. 1 = USB function is targeted with a transaction that the ICH7 terminates with a target abort.
10:9	<b>DEVSEL# Timing Status (DEV_STS)</b> — RO. This 2-bit field defines the timing for DEVSEL# assertion. These read only bits indicate the ICH7's DEVSEL# timing when performing a positive decode. ICH7 generates DEVSEL# with medium timing for USB.
8	Data Parity Error Detected (DPED) — RO. Hardwired to 0.
7	Fast Back to Back Capable (FB2BC) — RO. Hardwired to 1.
6	User Definable Features (UDF) — RO. Hardwired to 0.
5	66 MHz Capable — RO. Hardwired to 0.
4	Capabilities List — RO. Hardwired to 0.
3	<b>Interrupt Status</b> — RO. This bit reflects the state of this function's interrupt at the input of the enable/disable logic. 0 = Interrupt is de-asserted. 1 = Interrupt is asserted. The value reported in this bit is independent of the value in the Interrupt Enable bit.
2:0	Reserved

### 11.1.5 RID—Revision Identification Register (USB—D29:F0/F1/F2/F3)

Offset Address: 08h                      Attribute: RO  
 Default Value: See bit description                      Size: 8 bits

Bit	Description
7:0	Revision ID — RO. Refer to the <i>Intel® I/O Controller Hub 7 (ICH7) Family Specification Update</i> for the value of the Revision ID Register.



### 11.1.6 PI—Programming Interface Register (USB—D29:F0/F1/F2/F3)

Address Offset: 09h                      Attribute: RO  
Default Value: 00h                      Size: 8 bits

Bit	Description
7:0	Programming Interface — RO. 00h = No specific register level programming interface defined.

### 11.1.7 SCC—Sub Class Code Register (USB—D29:F0/F1/F2/F3)

Address Offset: 0Ah                      Attribute: RO  
Default Value: 03h                      Size: 8 bits

Bit	Description
7:0	Sub Class Code (SCC) — RO. 03h = USB host controller.

### 11.1.8 BCC—Base Class Code Register (USB—D29:F0/F1/F2/F3)

Address Offset: 0Bh                      Attribute: RO  
Default Value: 0Ch                      Size: 8 bits

Bit	Description
7:0	Base Class Code (BCC) — RO. 0Ch = Serial Bus controller.







### 11.1.11 BASE—Base Address Register (USB—D29:F0/F1/F2/F3)

Address Offset: 20h–23h                      Attribute: R/W, RO  
 Default Value: 00000001h                      Size: 32 bits

Bit	Description
31:16	Reserved
15:5	<b>Base Address</b> — R/W. Bits [15:5] correspond to I/O address signals AD [15:5], respectively. This gives 32 bytes of relocatable I/O space.
4:1	Reserved
0	Resource Type Indicator (RTE) — RO. Hardwired to 1 to indicate that the base address field in this register maps to I/O space.

### 11.1.12 SVID — Subsystem Vendor Identification Register (USB—D29:F0/F1/F2/F3)

Address Offset: 2Ch–2Dh                      Attribute: R/WO  
 Default Value: 0000h                      Size: 16 bits  
 Lockable: No                      Power Well: Core

Bit	Description
15:0	Subsystem Vendor ID (SVID) — R/WO. BIOS sets the value in this register to identify the Subsystem Vendor ID. The USB_SVID register, in combination with the USB Subsystem ID register, enables the operating system to distinguish each subsystem from the others.  <b>NOTE:</b> The software can write to this register only once per core well reset. Writes should be done as a single, 16-bit cycle.

### 11.1.13 SID — Subsystem Identification Register (USB—D29:F0/F1/F2/F3)

Address Offset: 2Eh–2Fh                      Attribute: R/WO  
 Default Value: 0000h                      Size: 16 bits  
 Lockable: No                      Power Well: Core

Bit	Description
15:0	<b>Subsystem ID (SID)</b> — R/WO. BIOS sets the value in this register to identify the Subsystem ID. The SID register, in combination with the SVID register (D29:F0/F1/F2/F3:2C), enables the operating system to distinguish each subsystem from other(s). The value read in this register is the same as what was written to the IDE_SID register.  <b>NOTE:</b> The software can write to this register only once per core well reset. Writes should be done as a single, 16-bit cycle.



### 11.1.14 INT\_LN—Interrupt Line Register (USB—D29:F0/F1/F2/F3)

Address Offset: 3Ch Attribute: R/W  
 Default Value: 00h Size: 8 bits

Bit	Description
7:0	<b>Interrupt Line (INT_LN)</b> — RO. This data is not used by the Intel® ICH7. It is to communicate to software the interrupt line that the interrupt pin is connected to.

### 11.1.15 INT\_PN—Interrupt Pin Register (USB—D29:F0/F1/F2/F3)

Address Offset: 3Dh Attribute: RO  
 Default Value: Function 0: See Description Size: 8 bits  
 Function 1: See Description  
 Function 2: See Description  
 Function 3: See Description

Bit	Description
7:0	<p><b>Interrupt Line (INT_LN)</b> — RO. This value tells the software which interrupt pin each USB host controller uses. The upper 4 bits are hardwired to 0000b; the lower 4 bits are determine by the Interrupt Pin default values that are programmed in the memory-mapped configuration space as follows:</p> <p>Function 0 D29IP.U0P (Chipset Config Registers: Offset 3108: bits 3:0)                      Function 1 D29IP.U1P (Chipset Config Registers: Offset 3108: bits 7:4)                      Function 2 D29IP.U2P (Chipset Config Registers: Offset 3108: bits 11:8)                      Function 3 D29IP.U3P (Chipset Config Registers: Offset 3108: bits 15:12)</p> <p><b>NOTE:</b> This does not determine the mapping to the PIRQ pins.</p>

### 11.1.16 USB\_RELNUM—Serial Bus Release Number Register (USB—D29:F0/F1/F2/F3)

Address Offset: 60h Attribute: RO  
 Default Value: 10h Size: 8 bits

Bit	Description
7:0	<p><b>Serial Bus Release Number</b> — RO.                      10h = USB controller supports the <i>USB Specification</i>, Release 1.0.</p>



### 11.1.17 USB\_LEGKEY—USB Legacy Keyboard/Mouse Control Register (USB—D29:F0/F1/F2/F3)

Address Offset: C0h–C1h      Attribute: R/W, R/WC, RO  
Default Value: 2000h      Size: 16 bits

This register is implemented separately in each of the USB UHCI functions. However, the enable and status bits for the trapping logic are OR'd and shared, respectively, since their functionality is not specific to any one host controller.

Bit	Description
15	<b>SMI Caused by End of Pass-Through (SMIBYENDPS)</b> — R/WC. This bit indicates if the event occurred. Note that even if the corresponding enable bit is not set in bit 7, then this bit will still be active. It is up to the SMM code to use the enable bit to determine the exact cause of the SMI#. 0 = Software clears this bit by writing a 1 to the bit location in any of the controllers. 1 = Event Occurred
14	Reserved
13	<b>PCI Interrupt Enable (USBPIRQEN)</b> — R/W. This bit is used to prevent the USB controller from generating an interrupt due to transactions on its ports. Note that, when disabled, it will probably be configured to generate an SMI using bit 4 of this register. Default to 1 for compatibility with older USB software. 0 = Disable 1 = Enable
12	<b>SMI Caused by USB Interrupt (SMIBYUSB)</b> — RO. This bit indicates if an interrupt event occurred from this controller. The interrupt from the controller is taken before the enable in bit 13 has any effect to create this read-only bit. Note that even if the corresponding enable bit is not set in Bit 4, this bit may still be active. It is up to the SMM code to use the enable bit to determine the exact cause of the SMI#. 0 = Software should clear the interrupts via the USB controllers. Writing a 1 to this bit will have no effect. 1 = Event Occurred.
11	<b>SMI Caused by Port 64 Write (TRAPBY64W)</b> — R/WC. This bit indicates if the event occurred. Note that even if the corresponding enable bit is not set in bit 3, this bit will still be active. It is up to the SMM code to use the enable bit to determine the exact cause of the SMI#. Note that the A20Gate Pass-Through Logic allows specific port 64h writes to complete without setting this bit. 0 = Software clears this bit by writing a 1 to the bit location in any of the controllers. 1 = Event Occurred.
10	<b>SMI Caused by Port 64 Read (TRAPBY64R)</b> — R/WC. This bit indicates if the event occurred. Note that even if the corresponding enable bit is not set in bit 2, this bit will still be active. It is up to the SMM code to use the enable bit to determine the exact cause of the SMI#. 0 = Software clears this bit by writing a 1 to the bit location in any of the controllers. 1 = Event Occurred.
9	<b>SMI Caused by Port 60 Write (TRAPBY60W)</b> — R/WC. This bit indicates if the event occurred. Note that even if the corresponding enable bit is not set in bit 1, this bit will still be active. It is up to the SMM code to use the enable bit to determine the exact cause of the SMI#. Note that the A20Gate Pass-Through Logic allows specific port 64h writes to complete without setting this bit. 0 = Software clears this bit by writing a 1 to the bit location in any of the controllers. 1 = Event Occurred.



Bit	Description
8	<p><b>SMI Caused by Port 60 Read (TRAPBY60R)</b> — R/WC. This bit indicates if the event occurred. Note that even if the corresponding enable bit is not set in the bit 0, then this bit will still be active. It is up to the SMM code to use the enable bit to determine the exact cause of the SMI#.</p> <p>0 = Software clears this bit by writing a 1 to the bit location in any of the controllers. 1 = Event Occurred.</p>
7	<p><b>SMI at End of Pass-Through Enable (SMIATENDPS)</b> — R/W. This bit enables SMI at the end of a pass-through. This can occur if an SMI is generated in the middle of a pass-through, and needs to be serviced later.</p> <p>0 = Disable 1 = Enable</p>
6	<p><b>Pass Through State (PSTATE)</b> — RO.</p> <p>0 = If software needs to reset this bit, it should set bit 5 in all of the host controllers to 0. 1 = Indicates that the state machine is in the middle of an A20GATE pass-through sequence.</p>
5	<p><b>A20Gate Pass-Through Enable (A20PASSEN)</b> — R/W.</p> <p>0 = Disable. 1 = Enable. Allows A20GATE sequence Pass-Through function. A specific cycle sequence involving writes to port 60h and 64h does not result in the setting of the SMI status bits.</p>
4	<p><b>SMI on USB IRQ Enable (USBSMIEN)</b> — R/W.</p> <p>0 = Disable 1 = Enable. USB interrupt will cause an SMI event.</p>
3	<p><b>SMI on Port 64 Writes Enable (64WEN)</b> — R/W.</p> <p>0 = Disable 1 = Enable. A 1 in bit 11 will cause an SMI event.</p>
2	<p><b>SMI on Port 64 Reads Enable (64REN)</b> — R/W.</p> <p>0 = Disable 1 = Enable. A 1 in bit 10 will cause an SMI event.</p>
1	<p><b>SMI on Port 60 Writes Enable (60WEN)</b> — R/W.</p> <p>0 = Disable 1 = Enable. A 1 in bit 9 will cause an SMI event.</p>
0	<p><b>SMI on Port 60 Reads Enable (60REN)</b> — R/W.</p> <p>0 = Disable 1 = Enable. A 1 in bit 8 will cause an SMI event.</p>





## 11.2 USB I/O Registers

Some of the read/write register bits that deal with changing the state of the USB hub ports function such that on read back they reflect the current state of the port, and not necessarily the state of the last write to the register. This allows the software to poll the state of the port and wait until it is in the proper state before proceeding. A host controller reset, global reset, or port reset will immediately terminate a transfer on the affected ports and disable the port. This affects the USBCMD register, bit 4 and the PORTSC registers, bits [12,6,2]. See individual bit descriptions for more detail.

**Table 11-2. USB I/O Registers**

BASE + Offset	Mnemonic	Register Name	Default	Type
00–01h	USBCMD	USB Command	0000h	R/W
02–03h	USBSTS	USB Status	0020h	R/WC
04–05h	USBINTR	USB Interrupt Enable	0000h	R/W
06–07h	FRNUM	Frame Number	0000h	R/W (see Note 1)
08–0Bh	FRBASEADD	Frame List Base Address	Undefined	R/W
0Ch	SOFMOD	Start of Frame Modify	40h	R/W
0D–0Fh	—	Reserved	—	—
10–11h	PORTSC0	Port 0 Status/Control	0080h	R/WC, RO, R/W (see Note 1)
12–13h	PORTSC1	Port 1 Status/Control	0080h	R/WC, RO, R/W (see Note 1)

**NOTES:**

1. These registers are WORD writable only. Byte writes to these registers have unpredictable effects.



### 11.2.1 USBCMD—USB Command Register

I/O Offset: Base + (00h–01h) Attribute: R/W  
 Default Value: 0000h Size: 16 bits

The Command Register indicates the command to be executed by the serial bus host controller. Writing to the register causes a command to be executed. The table following the bit description provides additional information on the operation of the Run/Stop and Debug bits.

Bit	Description
15: 7	Reserved
8	<b>Loop Back Test Mode</b> — R/W. 0 = Disable loop back test mode. 1 = Intel® ICH7 is in loop back test mode. When both ports are connected together, a write to one port will be seen on the other port and the data will be stored in I/O offset 18h.
7	<b>Max Packet (MAXP)</b> — R/W. This bit selects the maximum packet size that can be used for full speed bandwidth reclamation at the end of a frame. This value is used by the host controller to determine whether it should initiate another transaction based on the time remaining in the SOF counter. Use of reclamation packets larger than the programmed size will cause a Babble error if executed during the critical window at frame end. The Babble error results in the offending endpoint being stalled. Software is responsible for ensuring that any packet which could be executed under bandwidth reclamation be within this size limit. 0 = 32 bytes 1 = 64 bytes
6	<b>Configure Flag (CF)</b> — R/W. This bit has no effect on the hardware. It is provided only as a semaphore service for software. 0 = Indicates that software has not completed host controller configuration. 1 = HCD software sets this bit as the last action in its process of configuring the host controller.
5	<b>Software Debug (SWDBG)</b> — R/W. The SWDBG bit must only be manipulated when the controller is in the stopped state. This can be determined by checking the HCHalted bit in the USBSTS register. 0 = Normal Mode. 1 = Debug mode. In SW Debug mode, the host controller clears the Run/Stop bit after the completion of each USB transaction. The next transaction is executed when software sets the Run/Stop bit back to 1.
4	<b>Force Global Resume (FGR)</b> — R/W. 0 = Software resets this bit to 0 after 20 ms has elapsed to stop sending the Global Resume signal. At that time all USB devices should be ready for bus activity. The 1 to 0 transition causes the port to send a low speed EOP signal. This bit will remain a 1 until the EOP has completed. 1 = Host controller sends the Global Resume signal on the USB, and sets this bit to 1 when a resume event (connect, disconnect, or K-state) is detected while in global suspend mode.





Bit	Description
3	<p><b>Enter Global Suspend Mode (EGSM)</b> — R/W.</p> <p>0 = Software resets this bit to 0 to come out of Global Suspend mode. Software writes this bit to 0 at the same time that Force Global Resume (bit 4) is written to 0 or after writing bit 4 to 0.</p> <p>1 = Host controller enters the Global Suspend mode. No USB transactions occur during this time. The Host controller is able to receive resume signals from USB and interrupt the system. Software must ensure that the Run/Stop bit (bit 0) is cleared prior to setting this bit.</p>
2	<p><b>Global Reset (GRESET)</b> — R/W.</p> <p>0 = This bit is reset by the software after a minimum of 10 ms has elapsed as specified in Chapter 7 of the USB Specification.</p> <p>1 = Global Reset. The host controller sends the global reset signal on the USB and then resets all its logic, including the internal hub registers. The hub registers are reset to their power on state. Chip Hardware Reset has the same effect as Global Reset (bit 2), except that the host controller does not send the Global Reset on USB.</p>
1	<p><b>Host Controller Reset (HCRESET)</b> — R/W. The effects of HCRESET on Hub registers are slightly different from Chip Hardware Reset and Global USB Reset. The HCRESET affects bits [8,3:0] of the Port Status and Control Register (PORTSC) of each port. HCRESET resets the state machines of the host controller including the Connect/Disconnect state machine (one for each port). When the Connect/Disconnect state machine is reset, the output that signals connect/disconnect are negated to 0, effectively signaling a disconnect, even if a device is attached to the port. This virtual disconnect causes the port to be disabled. This disconnect and disabling of the port causes bit 1 (connect status change) and bit 3 (port enable/disable change) of the PORTSC (D29:F0/F1/F2/F3:BASE + 10h) to get set. The disconnect also causes bit 8 of PORTSC to reset. About 64 bit times after HCRESET goes to 0, the connect and low-speed detect will take place, and bits 0 and 8 of the PORTSC will change accordingly.</p> <p>0 = Reset by the host controller when the reset process is complete.</p> <p>1 = Reset. When this bit is set, the host controller module resets its internal timers, counters, state machines, etc. to their initial value. Any transaction currently in progress on USB is immediately terminated.</p>
0	<p><b>Run/Stop (RS)</b> — R/W. When set to 1, the ICH7 proceeds with execution of the schedule. The ICH7 continues execution as long as this bit is set. When this bit is cleared, the ICH7 completes the current transaction on the USB and then halts. The HC Halted bit in the status register indicates when the host controller has finished the transaction and has entered the stopped state. The host controller clears this bit when the following fatal errors occur: consistency check failure, PCI Bus errors.</p> <p>0 = Stop 1 = Run</p> <p><b>NOTE:</b> This bit should only be cleared if there are no active Transaction Descriptors in the executable schedule or software will reset the host controller prior to setting this bit again.</p>



Table 11-3. Run/Stop, Debug Bit Interaction SWDBG (Bit 5), Run/Stop (Bit 0) Operation

SWDBG (Bit 5)	Run/Stop (Bit 0)	Description
0	0	If executing a command, the host controller completes the command and then stops. The 1.0 ms frame counter is reset and command list execution resumes from start of frame using the frame list pointer selected by the current value in the FRNUM register. (While Run/Stop=0, the FRNUM register (D29:F0/F1/F2/F3:BASE + 06h) can be reprogrammed).
0	1	Execution of the command list resumes from Start Of Frame using the frame list pointer selected by the current value in the FRNUM register. The host controller remains running until the Run/Stop bit is cleared (by software or hardware).
1	0	If executing a command, the host controller completes the command and then stops and the 1.0 ms frame counter is frozen at its current value. All status are preserved. The host controller begins execution of the command list from where it left off when the Run/Stop bit is set.
1	1	Execution of the command list resumes from where the previous execution stopped. The Run/Stop bit is set to 0 by the host controller when a TD is being fetched. This causes the host controller to stop again after the execution of the TD (single step). When the host controller has completed execution, the HC Halted bit in the Status Register is set.

When the USB host controller is in Software Debug Mode (USBCMD Register bit 5=1), the single stepping software debug operation is as follows:

To Enter Software Debug Mode:

1. HCD puts host controller in Stop state by setting the Run/Stop bit to 0.
2. HCD puts host controller in Debug Mode by setting the SWDBG bit to 1.
3. HCD sets up the correct command list and Start Of Frame value for starting point in the Frame List Single Step Loop.
4. HCD sets Run/Stop bit to 1.
5. Host controller executes next active TD, sets Run/Stop bit to 0, and stops.
6. HCD reads the USBCMD register to check if the single step execution is completed (HCHalted=1).
7. HCD checks results of TD execution. Go to step 4 to execute next TD or step 8 to end Software Debug mode.
8. HCD ends Software Debug mode by setting SWDBG bit to 0.
9. HCD sets up normal command list and Frame List table.
10. HCD sets Run/Stop bit to 1 to resume normal schedule execution.

In Software Debug mode, when the Run/Stop bit is set, the host controller starts. When a valid TD is found, the Run/Stop bit is reset. When the TD is finished, the HCHalted bit in the USBSTS register (bit 5) is set.

The SW Debug mode skips over inactive TDs and only halts after an active TD has been executed. When the last active TD in a frame has been executed, the host controller waits until the next SOF is sent and then fetches the first TD of the next frame before halting.



This HCHalted bit can also be used outside of Software Debug mode to indicate when the host controller has detected the Run/Stop bit and has completed the current transaction. Outside of the Software Debug mode, setting the Run/Stop bit to 0 always resets the SOF counter so that when the Run/Stop bit is set the host controller starts over again from the frame list location pointed to by the Frame List Index (see FRNUM Register description) rather than continuing where it stopped.

## 11.2.2 USBSTS—USB Status Register

I/O Offset: Base + (02h–03h) Attribute: R/WC  
 Default Value: 0020h Size: 16 bits

This register indicates pending interrupts and various states of the host controller. The status resulting from a transaction on the serial bus is not indicated in this register.

Bit	Description
15:6	Reserved
5	<b>HCHalted</b> — R/WC. 0 = Software clears this bit by writing a 1 to it. 1 = The host controller has stopped executing as a result of the Run/Stop bit being set to 0, either by software or by the host controller hardware (debug mode or an internal error). Default.
4	<b>Host Controller Process Error</b> — R/WC. 0 = Software clears this bit by writing a 1 to it. 1 = The host controller has detected a fatal error. This indicates that the host controller suffered a consistency check failure while processing a Transfer Descriptor. An example of a consistency check failure would be finding an invalid PID field while processing the packet header portion of the TD. When this error occurs, the host controller clears the Run/Stop bit in the Command register (D29:F0/F1/F2/F3:BASE + 00h, bit 0) to prevent further schedule execution. A hardware interrupt is generated to the system.
3	<b>Host System Error</b> — R/WC. 0 = Software clears this bit by writing a 1 to it. 1 = A serious error occurred during a host system access involving the host controller module. In a PCI system, conditions that set this bit to 1 include PCI Parity error, PCI Master Abort, and PCI Target Abort. When this error occurs, the host controller clears the Run/Stop bit in the Command register to prevent further execution of the scheduled TDs. A hardware interrupt is generated to the system.
2	<b>Resume Detect (RSM_DET)</b> — R/WC. 0 = Software clears this bit by writing a 1 to it. 1 = The host controller received a "RESUME" signal from a USB device. This is only valid if the Host controller is in a global suspend state (Command register, D29:F0/F1/F2/F3:BASE + 00h, bit 3 = 1).
1	<b>USB Error Interrupt</b> — R/WC. 0 = Software clears this bit by writing a 1 to it. 1 = Completion of a USB transaction resulted in an error condition (e.g., error counter underflow). If the TD on which the error interrupt occurred also had its IOC bit (D29:F0/F1/F2/F3:BASE + 04h, bit 2) set, both this bit and Bit 0 are set.
0	<b>USB Interrupt (USBINT)</b> — R/WC. 0 = Software clears this bit by writing a 1 to it. 1 = The host controller sets this bit when the cause of an interrupt is a completion of a USB transaction whose Transfer Descriptor had its IOC bit set. Also set when a short packet is detected (actual length field in TD is less than maximum length field in TD), and short packet detection is enabled in that TD.



### 11.2.3 USBINTR—USB Interrupt Enable Register

I/O Offset: Base + (04h–05h) Attribute: R/W  
 Default Value: 0000h Size: 16 bits

This register enables and disables reporting of the corresponding interrupt to the software. When a bit is set and the corresponding interrupt is active, an interrupt is generated to the host. Fatal errors (host controller processor error, (D29:F0/F1/F2/F3:BASE + 02h, bit 4, USBSTS Register) cannot be disabled by the host controller. Interrupt sources that are disabled in this register still appear in the Status Register to allow the software to poll for events.

Bit	Description
15:5	Reserved
4	<b>Scratchpad (SP)</b> — R/W.
3	<b>Short Packet Interrupt Enable</b> — R/W. 0 = Disabled. 1 = Enabled.
2	<b>Interrupt on Complete Enable (IOC)</b> — R/W. 0 = Disabled. 1 = Enabled.
1	<b>Resume Interrupt Enable</b> — R/W. 0 = Disabled. 1 = Enabled.
0	<b>Timeout/CRC Interrupt Enable</b> — R/W. 0 = Disabled. 1 = Enabled.

### 11.2.4 FRNUM—Frame Number Register

I/O Offset: Base + (06–07h) Attribute: R/W (Writes must be Word Writes)  
 Default Value: 0000h Size: 16 bits

Bits [10:0] of this register contain the current frame number that is included in the frame SOF packet. This register reflects the count value of the internal frame number counter. Bits [9:0] are used to select a particular entry in the Frame List during scheduled execution. This register is updated at the end of each frame time.

This register must be written as a word. Byte writes are not supported. This register cannot be written unless the host controller is in the STOPPED state as indicated by the HCHalted bit (D29:F0/F1/F2/F3:BASE + 02h, bit 5). A write to this register while the Run/Stop bit is set (D29:F0/F1/F2/F3:BASE + 00h, bit 0) is ignored.

Bit	Description
15:11	Reserved
10:0	<b>Frame List Current Index/Frame Number</b> — R/W. This field provides the frame number in the SOF Frame. The value in this register increments at the end of each time frame (approximately every 1 ms). In addition, bits [9:0] are used for the Frame List current index and correspond to memory address signals [11:2].



### 11.2.5 FRBASEADD—Frame List Base Address Register

I/O Offset: Base + (08h–0Bh) Attribute: R/W  
 Default Value: Undefined Size: 32 bits

This 32-bit register contains the beginning address of the Frame List in the system memory. HCD loads this register prior to starting the schedule execution by the host controller. When written, only the upper 20 bits are used. The lower 12 bits are written as 0's (4-KB alignment). The contents of this register are combined with the frame number counter to enable the host controller to step through the Frame List in sequence. The two least significant bits are always 00. This requires DWord-alignment for all list entries. This configuration supports 1024 Frame List entries.

Bit	Description
31:12	<b>Base Address</b> — R/W. These bits correspond to memory address signals [31:12], respectively.
11:0	Reserved



### 11.2.6 SOFMOD—Start of Frame Modify Register

I/O Offset:	Base + (0Ch)	Attribute:	R/W
Default Value:	40h	Size:	8 bits

This 1-byte register is used to modify the value used in the generation of SOF timing on the USB. Only the 7 least significant bits are used. When a new value is written into these 7 bits, the SOF timing of the next frame will be adjusted. This feature can be used to adjust out any offset from the clock source that generates the clock that drives the SOF counter. This register can also be used to maintain real time synchronization with the rest of the system so that all devices have the same sense of real time. Using this register, the frame length can be adjusted across the full range required by the USB specification. Its initial programmed value is system dependent based on the accuracy of hardware USB clock and is initialized by system BIOS. It may be reprogrammed by USB system software at any time. Its value will take effect from the beginning of the next frame. This register is reset upon a host controller reset or global reset. Software must maintain a copy of its value for reprogramming if necessary.

Bit	Description																				
7	Reserved																				
6:0	<p><b>SOF Timing Value</b> — R/W. Guidelines for the modification of frame time are contained in Chapter 7 of the USB Specification. The SOF cycle time (number of SOF counter clock periods to generate a SOF frame length) is equal to 11936 + value in this field. The default value is decimal 64 which gives a SOF cycle time of 12000. For a 12 MHz SOF counter clock input, this produces a 1 ms Frame period. The following table indicates what SOF Timing Value to program into this field for a certain frame period.</p> <table border="1"> <thead> <tr> <th>Frame Length (# 12 MHz Clocks) (decimal)</th> <th>SOF Timing Value (this register) (decimal)</th> </tr> </thead> <tbody> <tr><td>11936</td><td>0</td></tr> <tr><td>11937</td><td>1</td></tr> <tr><td>—</td><td>—</td></tr> <tr><td>11999</td><td>63</td></tr> <tr><td>12000</td><td>64</td></tr> <tr><td>12001</td><td>65</td></tr> <tr><td>—</td><td>—</td></tr> <tr><td>12062</td><td>126</td></tr> <tr><td>12063</td><td>127</td></tr> </tbody> </table>	Frame Length (# 12 MHz Clocks) (decimal)	SOF Timing Value (this register) (decimal)	11936	0	11937	1	—	—	11999	63	12000	64	12001	65	—	—	12062	126	12063	127
Frame Length (# 12 MHz Clocks) (decimal)	SOF Timing Value (this register) (decimal)																				
11936	0																				
11937	1																				
—	—																				
11999	63																				
12000	64																				
12001	65																				
—	—																				
12062	126																				
12063	127																				



### 11.2.7 PORTSC[0,1]—Port Status and Control Register

I/O Offset: Port 0/2/4/6: Base + (10h–11h) Attribute: R/WC, RO,  
 Port 1/3/5/7: Base + (12h–13h) R/W (Word writes only)  
 Default Value: 0080h Size: 16 bits

**Note:** For Function 0, this applies to ICH7 USB ports 0 and 1; for Function 1, this applies to ICH7 USB ports 2 and 3; for Function 2, this applies to ICH7 USB ports 4 and 5; and for Function 3, this applies to ICH7 USB ports 6 and 7.

After a power-up reset, global reset, or host controller reset, the initial conditions of a port are: no device connected, Port disabled, and the bus line status is 00 (single-ended 0).

#### Port Reset and Enable Sequence

When software wishes to reset a USB device it will assert the Port Reset bit in the Port Status and Control register. The minimum reset signaling time is 10 mS and is enforced by software. To complete the reset sequence, software clears the port reset bit. The Intel UHCI controller must re-detect the port connect after reset signaling is complete before the controller will allow the port enable bit to be set by software. This time is approximately 5.3 uS. Software has several possible options to meet the timing requirement and a partial list is enumerated below:

- Iterate a short wait, setting the port enable bit and reading it back to see if the enable bit is set.
- Poll the connect status bit and wait for the hardware to recognize the connect prior to enabling the port.
- Wait longer than the hardware detect time after clearing the port reset and prior to enabling the port.

Bit	Description								
15:13	Reserved — RO.								
12	<p><b>Suspend</b> — R/W. This bit should not be written to a 1 if global suspend is active (bit 3=1 in the USBCMD register). Bit 2 and bit 12 of this register define the hub states as follows:</p> <table border="1"> <thead> <tr> <th>Bits [12,2]</th> <th>Hub State</th> </tr> </thead> <tbody> <tr> <td>X,0</td> <td>Disable</td> </tr> <tr> <td>0, 1</td> <td>Enable</td> </tr> <tr> <td>1, 1</td> <td>Suspend</td> </tr> </tbody> </table> <p>When in suspend state, downstream propagation of data is blocked on this port, except for single-ended 0 resets (global reset and port reset). The blocking occurs at the end of the current transaction, if a transaction was in progress when this bit was written to 1. In the suspend state, the port is sensitive to resume detection. Note that the bit status does not change until the port is suspended and that there may be a delay in suspending a port if there is a transaction currently in progress on the USB.                      1 = Port in suspend state.                      0 = Port not in suspend state.</p> <p><b>NOTE:</b> Normally, if a transaction is in progress when this bit is set, the port will be suspended when the current transaction completes. However, in the case of a specific error condition (out transaction with babble), the Intel® ICH7 may</p>	Bits [12,2]	Hub State	X,0	Disable	0, 1	Enable	1, 1	Suspend
Bits [12,2]	Hub State								
X,0	Disable								
0, 1	Enable								
1, 1	Suspend								
11	<p><b>Overcurrent Indicator</b> — R/WC. Set by hardware.                      0 = Software clears this bit by writing a 1 to it.                      1 = Overcurrent pin has gone from inactive to active on this port.</p>								



Bit	Description
10	<b>Overcurrent Active</b> — RO. This bit is set and cleared by hardware. 0 = Indicates that the overcurrent pin is inactive (high). 1 = Indicates that the overcurrent pin is active (low).
9	<b>Port Reset</b> — R/W. 0 = Port is not in Reset. 1 = Port is in Reset. When set, the port is disabled and sends the USB Reset signaling.
8	<b>Low Speed Device Attached (LS)</b> — RO. 0 = Full speed device is attached. 1 = Low speed device is attached to this port.
7	Reserved — RO. Always read as 1.
6	<b>Resume Detect (RSM_DET)</b> — R/W. Software sets this bit to a 1 to drive resume signaling. The host controller sets this bit to a 1 if a J-to-K transition is detected for at least 32 microseconds while the port is in the Suspend state. The ICH7 will then reflect the K-state back onto the bus as long as the bit remains a 1, and the port is still in the suspend state (bit 12,2 are '11'). Writing a 0 (from 1) causes the port to send a low speed EOP. This bit will remain a 1 until the EOP has completed. 0 = No resume (K-state) detected/driven on port. 1 = Resume detected/driven on port.
5:4	<b>Line Status</b> — RO. These bits reflect the D+ (bit 4) and D- (bit 5) signals lines' logical levels. These bits are used for fault detect and recovery as well as for USB diagnostics. This field is updated at EOF2 time (See Chapter 11 of the USB Specification).
3	<b>Port Enable/Disable Change</b> — R/WC. For the root hub, this bit gets set only when a port is disabled due to disconnect on that port or due to the appropriate conditions existing at the EOF2 point (See Chapter 11 of the USB Specification). 0 = No change. Software clears this bit by writing a 1 to the bit location. 1 = Port enabled/disabled status has changed.
2	<b>Port Enabled/Disabled (PORT_EN)</b> — R/W. Ports can be enabled by host software only. Ports can be disabled by either a fault condition (disconnect event or other fault condition) or by host software. Note that the bit status does not change until the port state actually changes and that there may be a delay in disabling or enabling a port if there is a transaction currently in progress on the USB. 0 = Disable 1 = Enable
1	<b>Connect Status Change</b> — R/WC. This bit indicates that a change has occurred in the port's Current Connect Status (see bit 0). The hub device sets this bit for any changes to the port device connect status, even if system software has not cleared a connect status change. If, for example, the insertion status changes twice before system software has cleared the changed condition, hub hardware will be setting an already-set bit (i.e., the bit will remain set). However, the hub transfers the change bit only once when the host controller requests a data transfer to the Status Change endpoint. System software is responsible for determining state change history in such a case. 0 = No change. Software clears this bit by writing a 1 to it. 1 = Change in Current Connect Status.
0	<b>Current Connect Status</b> — RO. This value reflects the current state of the port, and may not correspond directly to the event that caused the Connect Status Change bit (Bit 1) to be set. 0 = No device is present. 1 = Device is present on port.

§





# 12 SATA Controller Registers (D31:F2) (Desktop and Mobile Only)

**Note:** SATA is not supported on ICH7-U Ultra Mobile.

## 12.1 PCI Configuration Registers (SATA–D31:F2)

**Note:** Address locations that are not shown should be treated as Reserved.

All of the SATA registers are in the core well. None of the registers can be locked.

**Table 12-1. SATA Controller PCI Register Address Map (SATA–D31:F2) (Sheet 1 of 2)**

Offset	Mnemonic	Register Name	Default	Type
00h–01h	VID	Vendor Identification	8086h	RO
02h–03h	DID	Device Identification	See register description.	RO
04h–05h	PCICMD	PCI Command	0000h	R/W, RO
06h–07h	PCISTS	PCI Status	02B0h	R/WC, RO
08h	RID	Revision Identification	See register description.	RO
09h	PI	Programming Interface	See register description.	See register description
0Ah	SCC	Sub Class Code	See register description	See register description
0Bh	BCC	Base Class Code	01h	RO
0Dh	PMLT	Primary Master Latency Timer	00h	RO
10h–13h	PCMD_BAR	Primary Command Block Base Address	00000001h	R/W, RO
14h–17h	PCNL_BAR	Primary Control Block Base Address	00000001h	R/W, RO
18h–1Bh	SCMD_BAR	Secondary Command Block Base Address	00000001h	R/W, RO
1Ch–1Fh	SCNL_BAR	Secondary Control Block Base Address	00000001h	R/W, RO
20h–23h	BAR	Legacy Bus Master Base Address	00000001h	R/W, RO
24h–27h	ABAR	AHCI Base Address	00000000h	See register description
2Ch–2Dh	SVID	Subsystem Vendor Identification	0000h	R/WO
2Eh–2Fh	SID	Subsystem Identification	0000h	R/WO
34h	CAP	Capabilities Pointer	80h	RO
3Ch	INT_LN	Interrupt Line	00h	R/W



Table 12-1. SATA Controller PCI Register Address Map (SATA-D31:F2) (Sheet 2 of 2)

Offset	Mnemonic	Register Name	Default	Type
3Dh	INT_PN	Interrupt Pin	See register description.	RO
40h–41h	IDE_TIMP	Primary IDE Timing	0000h	R/W
42h–43h	IDE_TIMS	Secondary IDE Timing	0000h	R/W
44h	SIDETIM	Slave IDE Timing	00h	R/W
48h	SDMA_CNT	Synchronous DMA Control	00h	R/W
4Ah–4Bh	SDMA_TIM	Synchronous DMA Timing	0000h	R/W
54h–57h	IDE_CONFIG	IDE I/O Configuration	00000000h	R/W
70h–71h	PID	PCI Power Management Capability ID	See register description	RO
72h–73h	PC	PCI Power Management Capabilities	4002h	RO
74h–75h	PMCS	PCI Power Management Control and Status	0000h	R/W, RO, R/WC
80h–81h	MSICI	Message Signaled Interrupt Capability ID	7005h	RO
82h–83h	MSIMC	Message Signaled Interrupt Message Control	0000h	RO, R/W
84h–87h	MSIMA	Message Signaled Interrupt Message Address	00000000h	RO, R/W
88h–89h	MSIMD	Message Signaled Interrupt Message Data	0000h	R/W
90h	MAP	Address Map	00h	R/W
92h–93h	PCS	Port Control and Status	0000h	R/W, RO, R/WC
94h–97h	SIR	SATA Initialization Register	00000000h	R/W
A0h	SIRI	SATA Indexed Registers Index	00h	R/W
A4h	STRD	SATA Indexed Register Data	XXXXXXXXXh	R/W
A8h–ABh	SCAP0	SATA Capability Register 0	00100012h	RO
ACh–AFh	SCAP1	SATA Capability Register 1	00000048h	RO
C0h	ATC	APM Trapping Control	00h	R/W
C4h	ATS	ATM Trapping Status	00h	R/WC
D0h–D3h	SP	Scratch Pad	00000000h	R/W
E0h–E3h	BFCS	BIST FIS Control/Status	00000000h	R/W, R/WC
E4h–E7h	BFTD1	BIST FIS Transmit Data, DW1	00000000h	R/W
E8h–EBh	BFTD2	BIST FIS Transmit Data, DW2	00000000h	R/W

**NOTE:** The ICH7 SATA controller is not arbitrated as a PCI device; therefore, it does not need a master latency timer.













### 12.1.10 PCMD\_BAR—Primary Command Block Base Address Register (SATA–D31:F2)

Address Offset: 10h–13h                      Attribute: R/W, RO  
Default Value: 00000001h                      Size: 32 bits

Bit	Description
31:16	Reserved
15:3	<b>Base Address</b> — R/W. This field provides the base address of the I/O space (8 consecutive I/O locations).
2:1	Reserved
0	Resource Type Indicator (RTE) — RO. Hardwired to 1 to indicate a request for I/O space.

**NOTE:** This 8-byte I/O space is used in native mode for the Primary Controller's Command Block.

### 12.1.11 PCNL\_BAR—Primary Control Block Base Address Register (SATA–D31:F2)

Address Offset: 14h–17h                      Attribute: R/W, RO  
Default Value: 00000001h                      Size: 32 bits

Bit	Description
31:16	Reserved
15:2	<b>Base Address</b> — R/W. This field provides the base address of the I/O space (4 consecutive I/O locations).
1	Reserved
0	Resource Type Indicator (RTE) — RO. Hardwired to 1 to indicate a request for I/O space.

**NOTE:** This 4-byte I/O space is used in native mode for the Primary Controller's Command Block.

### 12.1.12 SCMD\_BAR—Secondary Command Block Base Address Register (IDE D31:F1)

Address Offset: 18h–1Bh                      Attribute: R/W, RO  
Default Value: 00000001h                      Size: 32 bits

Bit	Description
31:16	Reserved
15:3	<b>Base Address</b> — R/W. This field provides the base address of the I/O space (8 consecutive I/O locations).
2:1	Reserved
0	Resource Type Indicator (RTE) — RO. Hardwired to 1 to indicate a request for I/O space.

**NOTE:** This 4-byte I/O space is used in native mode for the Secondary Controller's Command Block.





### 12.1.13 SCNL\_BAR—Secondary Control Block Base Address Register (IDE D31:F1)

Address Offset: 1Ch–1Fh                      Attribute: R/W, RO  
 Default Value: 00000001h                  Size: 32 bits

Bit	Description
31:16	Reserved
15:2	<b>Base Address</b> — R/W. This field provides the base address of the I/O space (4 consecutive I/O locations).
1	Reserved
0	Resource Type Indicator (RTE) — RO. Hardwired to 1 to indicate a request for I/O space.

**NOTE:** This 4-byte I/O space is used in native mode for the Secondary Controller's Command Block.

### 12.1.14 BAR — Legacy Bus Master Base Address Register (SATA–D31:F2)

Address Offset: 20h–23h                      Attribute: R/W, RO  
 Default Value: 00000001h                  Size: 32 bits

The Bus Master IDE interface function uses Base Address register 5 to request a 16-byte IO space to provide a software interface to the Bus Master functions. Only 12 bytes are actually used (6 bytes for primary, 6 bytes for secondary). Only bits [15:4] are used to decode the address.

Bit	Description
31:16	Reserved
15:4	<b>Base Address</b> — R/W. This field provides the base address of the I/O space (16 consecutive I/O locations).
3:1	Reserved
0	Resource Type Indicator (RTE) — RO. Hardwired to 1 to indicate a request for I/O space.

### 12.1.15 ABAR — AHCI Base Address Register (SATA–D31:F2)

#### 12.1.15.1 Non AHCI Capable (Intel® ICH7 Feature Supported Components Only)

Address Offset: 24h–27h                      Attribute: RO  
 Default Value: 00000000h                  Size: 32 bits

Bit	Description
31:0	Reserved







Bit	Description
15	<p><b>IDE Decode Enable (IDE)</b> — R/W. Individually enable/disable the Primary or Secondary decode.</p> <p>0 = Disable.            1 = Enables the Intel® ICH7 to decode the associated Command Blocks (1F0–1F7h for primary, 170–177h for secondary) and Control Block (3F6h for primary and 376h for secondary).</p> <p>This bit effects the IDE decode ranges for both legacy and native-Mode decoding.</p> <p><b>NOTE:</b> This bit affects SATA operation in both combined and non-combined ATA modes. See <a href="#">Section 5.17</a> for more on ATA modes of operation.</p>
14	<p><b>Drive 1 Timing Register Enable (SITRE)</b> — R/W.</p> <p>0 = Use bits 13:12, 9:8 for both drive 0 and drive 1.            1 = Use bits 13:12, 9:8 for drive 0, and use the Slave IDE Timing register for drive 1</p>
13:12	<p><b>IORDY Sample Point (ISP)</b> — R/W. The setting of these bits determines the number of PCI clocks between IDE IOR#/IOW# assertion and the first IORDY sample point.</p> <p>00 = 5 clocks            01 = 4 clocks            10 = 3 clocks            11 = Reserved</p>
11:10	Reserved
9:8	<p><b>Recovery Time (RCT)</b> — R/W. The setting of these bits determines the minimum number of PCI clocks between the last IORDY sample point and the IOR#/IOW# strobe of the next cycle.</p> <p>00 = 4 clocks            01 = 3 clocks            10 = 2 clocks            11 = 1 clock</p>
7	<p><b>Drive 1 DMA Timing Enable (DTE1)</b> — R/W.</p> <p>0 = Disable.            1 = Enable the fast timing mode for DMA transfers only for this drive. PIO transfers to the IDE data port will run in compatible timing.</p>
6	<p><b>Drive 1 Prefetch/Posting Enable (PPE1)</b> — R/W.</p> <p>0 = Disable.            1 = Enable Prefetch and posting to the IDE data port for this drive.</p>
5	<p><b>Drive 1 IORDY Sample Point Enable (IE1)</b> — R/W.</p> <p>0 = Disable IORDY sampling for this drive.            1 = Enable IORDY sampling for this drive.</p>
4	<p><b>Drive 1 Fast Timing Bank (TIME1)</b> — R/W.</p> <p>0 = Accesses to the data port will use compatible timings for this drive.            1 = When this bit = 1 and bit 14 = 0, accesses to the data port will use bits 13:12 for the IORDY sample point, and bits 9:8 for the recovery time. When this bit = 1 and bit 14 = 1, accesses to the data port will use the IORDY sample point and recover time specified in the slave IDE timing register.</p>
3	<p><b>Drive 0 DMA Timing Enable (DTE0)</b> — R/W.</p> <p>0 = Disable            1 = Enable fast timing mode for DMA transfers only for this drive. PIO transfers to the IDE data port will run in compatible timing.</p>
2	<p><b>Drive 0 Prefetch/Posting Enable (PPE0)</b> — R/W.</p> <p>0 = Disable prefetch and posting to the IDE data port for this drive.            1 = Enable prefetch and posting to the IDE data port for this drive.</p>







### 12.1.24 SDMA\_TIM—Synchronous DMA Timing Register (SATA–D31:F2)

Address Offset: 4Ah–4Bh  
Default Value: 0000h

Attribute: R/W  
Size: 16 bits

**Note:** This register is R/W to maintain software compatibility and enable parallel ATA functionality when the PCI functions are combined. These bits have no effect on SATA operation, unless otherwise noted.

Bit	Description															
15:14	Reserved															
13:12	<p><b>Secondary Drive 1 Cycle Time (SCT1)</b> — R/W. For Ultra ATA mode. The setting of these bits determines the minimum write strobe cycle time (CT). The DMARDY#-to-STOP (RP) time is also determined by the setting of these bits.</p> <table border="0"> <tr> <td style="text-align: center;"><b>SCB1 = 0 (33 MHz clk)</b></td> <td style="text-align: center;"><b>SCB1 = 1 (66 MHz clk)</b></td> <td style="text-align: center;"><b>FAST_SCB1 = 1 (133 MHz clk)</b></td> </tr> <tr> <td>00 = CT 4 clocks, RP 6 clocks</td> <td>00 = Reserved</td> <td>00 = Reserved</td> </tr> <tr> <td>01 = CT 3 clocks, RP 5 clocks</td> <td>01 = CT 3 clocks, RP 8 clocks</td> <td>01 = CT 3 clocks, RP 16 clocks</td> </tr> <tr> <td>10 = CT 2 clocks, RP 4 clocks</td> <td>10 = CT 2 clocks, RP 8 clocks</td> <td>10 = Reserved</td> </tr> <tr> <td>11 = Reserved</td> <td>11 = Reserved</td> <td>11 = Reserved</td> </tr> </table>	<b>SCB1 = 0 (33 MHz clk)</b>	<b>SCB1 = 1 (66 MHz clk)</b>	<b>FAST_SCB1 = 1 (133 MHz clk)</b>	00 = CT 4 clocks, RP 6 clocks	00 = Reserved	00 = Reserved	01 = CT 3 clocks, RP 5 clocks	01 = CT 3 clocks, RP 8 clocks	01 = CT 3 clocks, RP 16 clocks	10 = CT 2 clocks, RP 4 clocks	10 = CT 2 clocks, RP 8 clocks	10 = Reserved	11 = Reserved	11 = Reserved	11 = Reserved
<b>SCB1 = 0 (33 MHz clk)</b>	<b>SCB1 = 1 (66 MHz clk)</b>	<b>FAST_SCB1 = 1 (133 MHz clk)</b>														
00 = CT 4 clocks, RP 6 clocks	00 = Reserved	00 = Reserved														
01 = CT 3 clocks, RP 5 clocks	01 = CT 3 clocks, RP 8 clocks	01 = CT 3 clocks, RP 16 clocks														
10 = CT 2 clocks, RP 4 clocks	10 = CT 2 clocks, RP 8 clocks	10 = Reserved														
11 = Reserved	11 = Reserved	11 = Reserved														
11:10	Reserved															
9:8	<p><b>Secondary Drive 0 Cycle Time (SCT0)</b> — R/W. For Ultra ATA mode. The setting of these bits determines the minimum write strobe cycle time (CT). The DMARDY#-to-STOP (RP) time is also determined by the setting of these bits.</p> <table border="0"> <tr> <td style="text-align: center;"><b>SCB1 = 0 (33 MHz clk)</b></td> <td style="text-align: center;"><b>SCB1 = 1 (66 MHz clk)</b></td> <td style="text-align: center;"><b>FAST_SCB1 = 1 (133 MHz clk)</b></td> </tr> <tr> <td>00 = CT 4 clocks, RP 6 clocks</td> <td>00 = Reserved</td> <td>00 = Reserved</td> </tr> <tr> <td>01 = CT 3 clocks, RP 5 clocks</td> <td>01 = CT 3 clocks, RP 8 clocks</td> <td>01 = CT 3 clocks, RP 16 clocks</td> </tr> <tr> <td>10 = CT 2 clocks, RP 4 clocks</td> <td>10 = CT 2 clocks, RP 8 clocks</td> <td>10 = Reserved</td> </tr> <tr> <td>11 = Reserved</td> <td>11 = Reserved</td> <td>11 = Reserved</td> </tr> </table>	<b>SCB1 = 0 (33 MHz clk)</b>	<b>SCB1 = 1 (66 MHz clk)</b>	<b>FAST_SCB1 = 1 (133 MHz clk)</b>	00 = CT 4 clocks, RP 6 clocks	00 = Reserved	00 = Reserved	01 = CT 3 clocks, RP 5 clocks	01 = CT 3 clocks, RP 8 clocks	01 = CT 3 clocks, RP 16 clocks	10 = CT 2 clocks, RP 4 clocks	10 = CT 2 clocks, RP 8 clocks	10 = Reserved	11 = Reserved	11 = Reserved	11 = Reserved
<b>SCB1 = 0 (33 MHz clk)</b>	<b>SCB1 = 1 (66 MHz clk)</b>	<b>FAST_SCB1 = 1 (133 MHz clk)</b>														
00 = CT 4 clocks, RP 6 clocks	00 = Reserved	00 = Reserved														
01 = CT 3 clocks, RP 5 clocks	01 = CT 3 clocks, RP 8 clocks	01 = CT 3 clocks, RP 16 clocks														
10 = CT 2 clocks, RP 4 clocks	10 = CT 2 clocks, RP 8 clocks	10 = Reserved														
11 = Reserved	11 = Reserved	11 = Reserved														
7:6	Reserved															



Bit	Description															
5:4	<p><b>Primary Drive 1 Cycle Time (PCT1)</b> — R/W. For Ultra ATA mode, the setting of these bits determines the minimum write strobe cycle time (CT). The DMARDY#-to-STOP (RP) time is also determined by the setting of these bits.</p> <table border="0"> <tr> <td><b>PCB1 = 0 (33 MHz clk)</b></td> <td><b>PCB1 = 1 (66 MHz clk)</b></td> <td><b>FAST_PCB1 = 1 (133 MHz clk)</b></td> </tr> <tr> <td>00 = CT 4 clocks, RP 6 clocks</td> <td>00 = Reserved</td> <td>00 = Reserved</td> </tr> <tr> <td>01 = CT 3 clocks, RP 5 clocks</td> <td>01 = CT 3 clocks, RP 8 clocks</td> <td>01 = CT 3 clocks, RP 16 clocks</td> </tr> <tr> <td>10 = CT 2 clocks, RP 4 clocks</td> <td>10 = CT 2 clocks, RP 8 clocks</td> <td>10 = Reserved</td> </tr> <tr> <td>11 = Reserved</td> <td>11 = Reserved</td> <td>11 = Reserved</td> </tr> </table>	<b>PCB1 = 0 (33 MHz clk)</b>	<b>PCB1 = 1 (66 MHz clk)</b>	<b>FAST_PCB1 = 1 (133 MHz clk)</b>	00 = CT 4 clocks, RP 6 clocks	00 = Reserved	00 = Reserved	01 = CT 3 clocks, RP 5 clocks	01 = CT 3 clocks, RP 8 clocks	01 = CT 3 clocks, RP 16 clocks	10 = CT 2 clocks, RP 4 clocks	10 = CT 2 clocks, RP 8 clocks	10 = Reserved	11 = Reserved	11 = Reserved	11 = Reserved
<b>PCB1 = 0 (33 MHz clk)</b>	<b>PCB1 = 1 (66 MHz clk)</b>	<b>FAST_PCB1 = 1 (133 MHz clk)</b>														
00 = CT 4 clocks, RP 6 clocks	00 = Reserved	00 = Reserved														
01 = CT 3 clocks, RP 5 clocks	01 = CT 3 clocks, RP 8 clocks	01 = CT 3 clocks, RP 16 clocks														
10 = CT 2 clocks, RP 4 clocks	10 = CT 2 clocks, RP 8 clocks	10 = Reserved														
11 = Reserved	11 = Reserved	11 = Reserved														
3:2	Reserved															
1:0	<p><b>Primary Drive 0 Cycle Time (PCT0)</b> — R/W. For Ultra ATA mode, the setting of these bits determines the minimum write strobe cycle time (CT). The DMARDY#-to-STOP (RP) time is also determined by the setting of these bits.</p> <table border="0"> <tr> <td><b>PCB1 = 0 (33 MHz clk)</b></td> <td><b>PCB1 = 1 (66 MHz clk)</b></td> <td><b>FAST_PCB1 = 1 (133 MHz clk)</b></td> </tr> <tr> <td>00 = CT 4 clocks, RP 6 clocks</td> <td>00 = Reserved</td> <td>00 = Reserved</td> </tr> <tr> <td>01 = CT 3 clocks, RP 5 clocks</td> <td>01 = CT 3 clocks, RP 8 clocks</td> <td>01 = CT 3 clocks, RP 16 clocks</td> </tr> <tr> <td>10 = CT 2 clocks, RP 4 clocks</td> <td>10 = CT 2 clocks, RP 8 clocks</td> <td>10 = Reserved</td> </tr> <tr> <td>11 = Reserved</td> <td>11 = Reserved</td> <td>11 = Reserved</td> </tr> </table>	<b>PCB1 = 0 (33 MHz clk)</b>	<b>PCB1 = 1 (66 MHz clk)</b>	<b>FAST_PCB1 = 1 (133 MHz clk)</b>	00 = CT 4 clocks, RP 6 clocks	00 = Reserved	00 = Reserved	01 = CT 3 clocks, RP 5 clocks	01 = CT 3 clocks, RP 8 clocks	01 = CT 3 clocks, RP 16 clocks	10 = CT 2 clocks, RP 4 clocks	10 = CT 2 clocks, RP 8 clocks	10 = Reserved	11 = Reserved	11 = Reserved	11 = Reserved
<b>PCB1 = 0 (33 MHz clk)</b>	<b>PCB1 = 1 (66 MHz clk)</b>	<b>FAST_PCB1 = 1 (133 MHz clk)</b>														
00 = CT 4 clocks, RP 6 clocks	00 = Reserved	00 = Reserved														
01 = CT 3 clocks, RP 5 clocks	01 = CT 3 clocks, RP 8 clocks	01 = CT 3 clocks, RP 16 clocks														
10 = CT 2 clocks, RP 4 clocks	10 = CT 2 clocks, RP 8 clocks	10 = Reserved														
11 = Reserved	11 = Reserved	11 = Reserved														

### 12.1.25 IDE\_CONFIG—IDE I/O Configuration Register (SATA-D31:F2)

Address Offset: 54h–57h                      Attribute: R/W  
 Default Value: 00000000h                    Size: 32 bits

**Note:** This register is R/W to maintain software compatibility and enable parallel ATA functionality when the PCI functions are combined. These bits have no effect on SATA operation, unless otherwise noted.

Bit	Description
31:24	Reserved
23:20	Scratchpad (SP2). Intel® ICH7 does not perform any actions on these bits.
19:18	<p><b>SEC_SIG_MODE</b> — R/W. These bits are used to control mode of the Secondary IDE signal pins for mobile swap bay support.</p> <p>If the SRS bit (Chipset Config Registers: Offset 3414h: bit 1) is 1, the reset states of bits 19:18 will be 01 (tri-state) instead of 00 (normal).</p> <p>00 = Normal (Enabled)          01 = Tri-state (Disabled)          10 = Drive low (Disabled)          11 = Reserved</p>





Bit	Description
17:16	<p><b>PRIM_SIG_MODE</b> — R/W. These bits are used to control mode of the Primary IDE signal pins for mobile swap bay support.</p> <p>If the PRS bit (Chipset Config Registers: Offset 3414h: bit 1) is 1, the reset states of bits 17:16 will be 01 (tri-state) instead of 00 (normal).</p> <p>00 = Normal (Enabled)            01 = Tri-state (Disabled)            10 = Drive low (Disabled)            11 = Reserved</p>
15	<p><b>Fast Secondary Drive 1 Base Clock (FAST_SCB1)</b> — R/W. This bit is used in conjunction with the SCT1 bits (D31:F2:4Ah, bits 13:12) to enable/disable Ultra ATA/100 timings for the Secondary Slave drive.</p> <p>0 = Disable Ultra ATA/100 timing for the Secondary Slave drive.            1 = Enable Ultra ATA/100 timing for the Secondary Slave drive (overrides bit 3 in this register).</p>
14	<p><b>Fast Secondary Drive 0 Base Clock (FAST_SCB0)</b> — R/W. This bit is used in conjunction with the SCT0 bits (D31:F2:4Ah, bits 9:8) to enable/disable Ultra ATA/100 timings for the Secondary Master drive.</p> <p>0 = Disable Ultra ATA/100 timing for the Secondary Master drive.            1 = Enable Ultra ATA/100 timing for the Secondary Master drive (overrides bit 2 in this register).</p>
13	<p><b>Fast Primary Drive 1 Base Clock (FAST_PCB1)</b> — R/W. This bit is used in conjunction with the PCT1 bits (D31:F2:4Ah, bits 5:4) to enable/disable Ultra ATA/100 timings for the Primary Slave drive.</p> <p>0 = Disable Ultra ATA/100 timing for the Primary Slave drive.            1 = Enable Ultra ATA/100 timing for the Primary Slave drive (overrides bit 1 in this register).</p>
12	<p><b>Fast Primary Drive 0 Base Clock (FAST_PCB0)</b> — R/W. This bit is used in conjunction with the PCT0 bits (D31:F2:4Ah, bits 1:0) to enable/disable Ultra ATA/100 timings for the Primary Master drive.</p> <p>0 = Disable Ultra ATA/100 timing for the Primary Master drive.            1 = Enable Ultra ATA/100 timing for the Primary Master drive (overrides bit 0 in this register).</p>
11:8	Reserved
7:4	Scratchpad (SP1). ICH7 does not perform any action on these bits.
3	<p><b>Secondary Drive 1 Base Clock (SCB1)</b> — R/W.</p> <p>0 = 33 MHz base clock for Ultra ATA timings.            1 = 66 MHz base clock for Ultra ATA timings</p>
2	<p><b>Secondary Drive 0 Base Clock (SCB0)</b> — R/W.</p> <p>0 = 33 MHz base clock for Ultra ATA timings.            1 = 66 MHz base clock for Ultra ATA timings</p>
1	<p><b>Primary Drive 1 Base Clock (PCB1)</b> — R/W.</p> <p>0 = 33 MHz base clock for Ultra ATA timings.            1 = 66 MHz base clock for Ultra ATA timings</p>
0	<p><b>Primary Drive 0 Base Clock (PCB0)</b> — R/W.</p> <p>0 = 33 MHz base clock for Ultra ATA timings.            1 = 66 MHz base clock for Ultra ATA timings</p>



















### 12.1.37.1 STTT1—SATA Indexed Registers Index 00h (SATA TX Termination Test Register 1)

Address Offset: Index 00h–03h                      Attribute:                      R/W  
 Default Value: 00000000h                      Size:                      32 bits

Bit	Description
31:2	Reserved.
1	<p><b>Port 1 TX Termination Test Enable</b> — R/W:            0 = Port 1 TX termination port testing is disabled.            1 = Enables testing of Port 1 TX termination.</p> <p><b>NOTE:</b> This bit only to be used for system board testing.</p>
0	<p><b>Port 0 TX Termination Test Enable</b> — R/W:            0 = Port 0 TX termination port testing is disabled.            1 = Enables testing of Port 0 TX termination.</p> <p><b>NOTE:</b> This bit only to be used for system board testing.</p>

### 12.1.37.2 STME—SATA Indexed Registers Index C1h (SATA Test Mode Enable Register)

Address Offset: Index 1Ch–1Fh                      Attribute:                      R/W  
 Default Value: 00000000h                      Size:                      32 bits

Bit	Description
31:19	Reserved.
18	<p><b>SATA Test Mode Enable Bit</b> — R/W:            0 = Entrance to Intel® ICH7 SATA test modes are disabled.            1 = This bit allows entrance to ICH7 SATA test modes when set.</p> <p><b>NOTE:</b> This bit only to be used for system board testing.</p>
17:0	Reserved.

**12.1.37.3 STTT2 — SATA Indexed Registers Index 74h (SATA TX Termination Test Register 2)**

Address Offset: Index 74h – 77h                      Attribute: R/W  
 Default Value: 00000000h                      Size: 32 bits

Bit	Description
31:18	Reserved.
17	<p><b>Port 3 TX Termination Test Enable</b> — R/W:            0 = Port 3 TX termination port testing is disabled.            1 = Enables testing of Port 3 TX termination.</p> <p><b>NOTE:</b> This bit only to be used for system board testing.</p>
16	<p><b>Port 2 TX Termination Test Enable</b> — R/W:            0 = Port 2 TX termination port testing is disabled.            1 = Enables testing of Port 2 TX termination.</p> <p><b>NOTE:</b> This bit only to be used for system board testing.</p>
15:0	Reserved.

**12.1.38 SCAPO—SATA Capability Register 0 (SATA–D31:F2)**

Address Offset: A8h–ABh                      Attribute: RO  
 Default Value: 00100012h                      Size: 32 bits

This register is set to 00000000h if the SCRD bit (D31:F2; Offset 94h bit-30) is set.

Bit	Description
31:24	Reserved
23:20	Major Revision (MAJREV) — RO: Major revision number of the SATA Capability Pointer implemented.
19:16	Minor Revision (MINREV) — RO: Minor revision number of the SATA Capability Pointer implemented.
15:8	Next Capability Pointer (NEXT) — RO: Points to the next capability structure. 00h indicates this is the last capability pointer.
7:0	Capability ID (CAP)— RO: This value of 12h has been assigned by the PCI SIG to designate the SATA Capability Structure.









Bits	Description
9 (Mobile Only)	Reserved.
8	<b>Port 0 BIST FIS Initiate (POBFI)</b> — R/W. When a rising edge is detected on this bit field, the ICH7 initiates a BIST FIS to the device on Port 0, using the parameters specified in this register and the data specified in BFTD1 and BFTD2. The BIST FIS will only be initiated if a device on Port 0 is present and ready (not partial/slumber state). After a BIST FIS is successfully completed, software must disable and re-enable the port using the PxE bits at offset 92h prior to attempting additional BIST FISes or to return the ICH7 to a normal operational mode. If the BIST FIS fails to complete, as indicated by the BFF bit in the register, then software can clear then set the POBFI bit to initiate another BIST FIS. This can be retried until the BIST FIS eventually completes successfully
7:2	<b>BIST FIS Parameters.</b> These 6 bits form the contents of the upper 6 bits of the BIST FIS Pattern Definition in any BIST FIS transmitted by the ICH7. This field is not port specific; its contents will be used for any BIST FIS initiated on port 0, port 1, port 2 or port 3. The specific bit definitions are: Bit 7: T – Far End Transmit mode Bit 6: A – Align Bypass mode Bit 5: S – Bypass Scrambling Bit 4: L – Far End Retimed Loopback Bit 3: F – Far End Analog Loopback Bit 2: P – Primitive bit for use with Transmit mode
1:0	Reserved

#### 12.1.44 BFTD1—BIST FIS Transmit Data1 Register (SATA–D31:F2)

Address Offset: E4h–E7h                      Attribute: R/W  
 Default Value: 00000000h                  Size: 32 bits

Bits	Description
31:0	<b>BIST FIS Transmit Data 1</b> — R/W. The data programmed into this register will form the contents of the second DWord of any BIST FIS initiated by the Intel® ICH7. This register is not port specific; its contents will be used for BIST FIS initiated on any port. Although the 2nd and 3rd DWs of the BIST FIS are only meaningful when the “T” bit of the BIST FIS is set to indicate “Far-End Transmit mode”, this register’s contents will be transmitted as the BIST FIS 2nd DW regardless of whether or not the “T” bit is indicated in the BFCS register (D31:F2:E0h).





### 12.2.1 BMIC[P,S]—Bus Master IDE Command Register (D31:F2)

Address Offset: Primary: BAR + 00h      Attribute: R/W  
Secondary: BAR + 08h  
Default Value: 00h      Size: 8 bits

Bit	Description
7:4	Reserved. Returns 0.
3	<b>Read / Write Control (R/WC)</b> — R/W. This bit sets the direction of the bus master transfer: This bit must NOT be changed when the bus master function is active. 0 = Memory reads 1 = Memory writes
2:1	Reserved. Returns 0.
0	<b>Start/Stop Bus Master (START)</b> — R/W. 0 = All state information is lost when this bit is cleared. Master mode operation cannot be stopped and then resumed. If this bit is reset while bus master operation is still active (i.e., the Bus Master IDE Active bit (D31:F2:BAR + 02h, bit 0) of the Bus Master IDE Status register for that IDE channel is set) and the drive has not yet finished its data transfer (the Interrupt bit in the Bus Master IDE Status register for that IDE channel is not set), the bus master command is said to be aborted and data transferred from the drive may be discarded instead of being written to system memory. 1 = Enables bus master operation of the controller. Bus master operation does not actually start unless the Bus Master Enable bit (D31:F1:04h, bit 2) in PCI configuration space is also set. Bus master operation begins when this bit is detected changing from 0 to 1. The controller will transfer data between the IDE device and memory only when this bit is set. Master operation can be halted by writing a 0 to this bit.  <b>NOTE:</b> This bit is intended to be cleared by software after the data transfer is completed, as indicated by either the Bus Master IDE Active bit being cleared or the Interrupt bit of the Bus Master IDE Status register for that IDE channel being set, or both. Hardware does not clear this bit automatically. If this bit is cleared to 0 prior to the DMA data transfer being initiated by the drive in a





## 12.2.2 BMIS[P,S]—Bus Master IDE Status Register (D31:F2)

Address Offset: Primary: BAR + 02h      Attribute: R/W, R/WC, RO  
 Secondary: BAR + 0Ah  
 Default Value: 00h      Size: 8 bits

Bit	Description
7	<b>PRD Interrupt Status (PRDIS)</b> — R/WC. 0 = Software clears this bit by writing a 1 to it. 1 = This bit is set when the host controller execution of a PRD that has its PRD_INT bit set.
6	<b>Drive 1 DMA Capable</b> — R/W. 0 = Not Capable. 1 = Capable. Set by device dependent code (BIOS or device driver) to indicate that drive 1 for this channel is capable of DMA transfers, and that the controller has been initialized for optimum performance. The Intel® ICH7 does not use this bit. It is intended for systems that do not attach BMIDE to the PCI bus.
5	<b>Drive 0 DMA Capable</b> — R/W. 0 = Not Capable 1 = Capable. Set by device dependent code (BIOS or device driver) to indicate that drive 0 for this channel is capable of DMA transfers, and that the controller has been initialized for optimum performance. The ICH7 does not use this bit. It is intended for systems that do not attach BMIDE to the PCI bus.
4:3	Reserved. Returns 0.
2	<b>Interrupt</b> — R/WC. 0 = Software clears this bit by writing a 1 to it. 1 = Set when a device FIS is received with the 'I' bit set, provided that software has not disabled interrupts via the IEN bit of the Device Control Register (see chapter 5 of the <i>Serial ATA Specification</i> , Revision 1.0a).
1	<b>Error</b> — R/WC. 0 = Software clears this bit by writing a 1 to it. 1 = This bit is set when the controller encounters a target abort or master abort when transferring data on PCI.
0	<b>Bus Master IDE Active (ACT)</b> — RO. 0 = This bit is cleared by the ICH7 when the last transfer for a region is performed, where EOT for that region is set in the region descriptor. It is also cleared by the ICH7 when the Start Bus Master bit (D31:F2:BAR+ 00h, bit 0) is cleared in the Command register. When this bit is read as a 0, all data transferred from the drive during the previous bus master command is visible in system memory, unless the bus master command was aborted. 1 = Set by the ICH7 when the Start bit is written to the Command register.



### 12.2.3 BMID[P,S]—Bus Master IDE Descriptor Table Pointer Register (D31:F2)

Address Offset: Primary: BAR + 04h–07h Attribute: R/W  
 Secondary: BAR + 0Ch–0Fh  
 Default Value: All bits undefined Size: 32 bits

Bit	Description
31:2	<b>Address of Descriptor Table (ADDR)</b> — R/W. The bits in this field correspond to A[31:2]. The Descriptor Table must be DWord-aligned. The Descriptor Table must not cross a 64-K boundary in memory.
1:0	Reserved

### 12.2.4 AIR—AHCI Index Register (D31:F2)

Address Offset: Primary: BAR + 10h Attribute: R/W, RO  
 Default Value: 00000000h Size: 32 bits

Bit	Description
31:10	Reserved
9:2	<b>Index (INDEX)</b> — R/W: This Index register is used to select the DWord offset of the Memory Mapped AHCI register to be accessed. A DWord, Word or Byte access is specified by the active byte enables of the I/O access to the Data register.
1:0	Reserved

### 12.2.5 AIDR—AHCI Index Data Register (D31:F2)

Address Offset: Primary: BAR + 14h Attribute: R/W  
 Default Value: All bits undefined Size: 32 bits

Bit	Description
31:0	<b>Data (DATA)</b> — R/W: This Data register is a “window” through which data is read or written to the AHCI memory mapped registers. A read or write to this Data register triggers a corresponding read or write to the memory mapped register pointed to by the Index register. The Index register must be setup prior to the read or write to this Data register. Note that a physical register is not actually implemented as the data is actually stored in the memory mapped registers. Since this is not a physical register, the “default” value is the same as the default value of the register pointed to by Index.



## 12.3 AHCI Registers (D31:F2) (Intel® ICH7R, ICH7DH, ICH7-M, and ICH7-M DH Only)

**Note:** These registers are AHCI-specific and available only on ICH7 components that support AHCI (not on the 82801GB ICH7) and when the ICH7 is properly configured. The Serial ATA Status, Control, and Error registers are special exceptions and may be accessed on all ICH7 components if properly configured (see section [Section 12.1.35](#) for details).

The memory mapped registers within the SATA controller exist in non-cacheable memory space. Additionally, locked accesses are not supported. If software attempts to perform locked transactions to the registers, indeterminate results may occur. Register accesses shall have a maximum size of 64-bits; 64-bit access must not cross an 8-byte alignment boundary.

The registers are divided into two sections – generic host control and port control. The port control registers are the same for all ports, and there are as many registers banks as there are ports.

**Table 12-3. AHCI Register Address Map**

ABAR + Offset	Mnemonic	Register
00–1Fh	GHC	Generic Host Control
20h–FFh	—	Reserved
100h–17Fh	P0PCR	Port 0 port control registers
180h–1FFh	P1PCR	Port 1 port control registers (Intel® ICH7R and ICH7DH Only) Registers are not available and software must not read or write registers. (Mobile Only)
200h–27Fh	P2PCR	Port 2 port control registers
280h–2FFh	P3PCR	Port 3 port control registers (ICH7R and ICH7DH Only) Registers are not available and software must not read or write registers. (Mobile Only)
300h–3FFh	—	Reserved



### 12.3.1 AHCI Generic Host Control Registers (D31:F2)

Table 12-4. Generic Host Controller Register Address Map

ABAR + Offset	Mnemonic	Register	Default	Type
00–03	CAP	Host Capabilities	DE22FF03h (Intel® ICH7R and ICH7DH Only) DE12FF03h (Mobile Only)	R/WO, RO
04–07	GHC	Global ICH7 Control	00000000h	R/W
08–0Bh	IS	Interrupt Status	00000000h	R/WC, RO
0Ch–0Fh	PI	Ports Implemented	00000000h	R/WO, RO
10h–13h	VS	AHCI Version	00010100h	RO

#### 12.3.1.1 CAP—Host Capabilities Register (D31:F2)

Address Offset: ABAR + 00h–03h      Attribute: R/WO, RO  
 Default Value: DE22FF03h (Desktop Only) Size: 32 bits  
 DE12FF03h (Mobile Only)

All bits in this register that are R/WO are reset only by PLTRST#.

Bit	Description
31	<b>Supports 64-bit Addressing (S64A)</b> — RO. Indicates that the SATA controller can access 64-bit data structures. The 32-bit upper bits of the port DMA Descriptor, the PRD Base, and each PRD entry are read/write.
30	<b>Supports Command Queue Acceleration (SCQA)</b> — RO. Hardwired to 1 to indicate that the SATA controller supports SATA command queuing via the DMA Setup FIS. The Intel® ICH7 handles DMA Setup FISes natively, and can handle auto-activate optimization through that FIS.
29	Supports SNotification Register (SSNTF): — RO. The ICH7 SATA Controller does not support the SNotification register.
28	<b>Supports Interlock Switch (SIS)</b> — R/WO. Indicates whether the SATA controller supports interlock switches on its ports for use in Hot-Plug operations. This value is loaded by platform BIOS prior to OS initialization. If this bit is set, BIOS must also map the SATAGP pins to the SATA controller through GPIO space.
27	<b>Supports Staggered Spin-up (SSS)</b> — R/WO. Indicates whether the SATA controller supports staggered spin-up on its ports, for use in balancing power spikes. This value is loaded by platform BIOS prior to OS initialization. 0 = Staggered spin-up not supported. 1 = Staggered spin-up supported.
26	<b>Supports Aggressive Link Power Management (SALP)</b> — R/WO. Indicates the SATA controller supports auto-generating link requests to the partial or slumber states when there are no commands to process. 0 = Aggressive link power management not supported. 1 = Aggressive link power management supported.



Bit	Description
25	<b>Supports Activity LED (SAL)</b> — RO. Indicates that the SATA controller supports a single output pin (SATALED#) which indicates activity.
24	Supports Command List Override (SCLO) — R/WO. When set to 1, indicates that the HBA supports the PxCMD.CLO bit and it's associated function. When cleared to '0', The HBA is not capable of clearing the BSY and DRQ bits in the Status register in order to issue a software reset if these bits are still set from a previous operation.
23:20 (Desktop Only)	<b>Interface Speed Support (ISS)</b> — R/WO. Indicates the maximum speed the SATA controller can support on its ports. 2h = 3.0 Gb/s.
23:20 (Mobile Only)	<b>Interface Speed Support (ISS)</b> — RO. Indicates the maximum speed the SATA controller can support on its ports. 1h = 1.5 Gb/s.
19	Supports Non-Zero DMA Offsets (SNZO) — RO. Reserved, as per the AHCI Revision 1.0 specification
18	Supports Port Selector Acceleration — RO. Port Selectors not supported.
17	<b>Supports Port Multiplier (PMS)</b> — R/WO. ICH7 does not support port multiplier. BIOS/SW shall write this bit to '0' during AHCI initialization.
16	Supports Port Multiplier FIS Based Switching (PMFS) — RO. Reserved, as per the AHCI Revision 1.0 specification.  <b>NOTE:</b> Port Multiplier not supported by ICH7.
15	<b>PIO Multiple DRQ Block (PMD)</b> — R/WO. The SATA controller supports PIO Multiple DRQ Command Block
14	Slumber State Capable (SSC) — RO. The SATA controller supports the slumber state.
13	Partial State Capable (PSC) — RO. The SATA controller supports the partial state.
12:8	Number of Command Slots (NCS) — RO. Hardwired to 1Fh to indicate support for 32 slots.
7:5	Reserved. Returns 0.
4:0	Number of Ports (NPS) — RO. Hardwired to 3h to indicate support for 4 ports. Note that the number of ports indicated in this field may be more than the number of ports indicated in the PI (ABAR + 0Ch) register.



### 12.3.1.2 GHC—Global ICH7 Control Register (D31:F2)

Address Offset: ABAR + 04h–07h      Attribute: R/W  
Default Value: 00000000h      Size: 32 bits

Bit	Description
31	<b>AHCI Enable (AE)</b> — R/W. When set, indicates that an AHCI driver is loaded and the controller will be talked to via AHCI mechanisms. This can be used by an Intel® ICH7 that supports both legacy mechanisms (such as SFF-8038i) and AHCI to know when the controller will not be talked to as legacy. When set, software will only talk to the ICH7 using AHCI. The ICH7 will not have to allow command processing via both AHCI and legacy mechanisms. When cleared, software will only talk to the ICH7 using legacy mechanisms. Software shall set this bit to 1 before accessing other AHCI registers.
30:2	Reserved. Returns 0.
1	<b>Interrupt Enable (IE)</b> — R/W. This global bit enables interrupts from the ICH7. 0 = All interrupt sources from all ports are disabled. 1 = Interrupts are allowed from the AHCI controller.
0	<b>HBA Reset (HR)</b> — R/W. Resets ICH7 AHCI controller. 0 = No effect 1 = Causes an internal reset of the ICH7 AHCI controller. All state machines that relate to data transfers and queuing return to an idle condition, and all ports are re-initialized via COMRESET.  <b>NOTE:</b> For further details, consult section 12.3.3 of the <i>Serial ATA Advanced Host Controller Interface</i> specification.



### 12.3.1.3 IS—Interrupt Status Register (D31:F2)

Address Offset: ABAR + 08h–0Bh      Attribute: R/WC, RO  
 Default Value: 00000000h      Size: 32 bits

This register indicates which of the ports within the controller have an interrupt pending and require service.

Bit	Description
31:4	Reserved. Returns 0.
3 (Mobile Only)	Reserved. Returns 0.
3 (Intel® ICH7R and ICH7DH Only)	<b>Interrupt Pending Status Port[3] (IPS[3])</b> — R/WC. 0 = No interrupt pending. 1 = Port 3 has an interrupt pending. Software can use this information to determine which ports require service after an interrupt.
2	<b>Interrupt Pending Status Port[2] (IPS[2])</b> — R/WC 0 = No interrupt pending. 1 = Port 2 has an interrupt pending. Software can use this information to determine which ports require service after an interrupt.
1 (Mobile Only)	Reserved. Returns 0.
1 (ICH7R and ICH7DH Only)	<b>Interrupt Pending Status Port[1] (IPS[1])</b> — R/WC. 0 = No interrupt pending. 1 = Port 1 has an interrupt pending. Software can use this information to determine which ports require service after an interrupt.
0	<b>Interrupt Pending Status Port[0] (IPS[0])</b> — R/WC. 0 = No interrupt pending. 1 = Port 0 has an interrupt pending. Software can use this information to determine which ports require service after an interrupt.

**12.3.1.4 PI—Ports Implemented Register (D31:F2)**

Address Offset: ABAR + 0Ch–0Fh                      Attribute:                      R/WO, RO  
 Default Value: 00000000h                      Size:                      32 bits

This register indicates which ports are exposed to the ICH7. It is loaded by platform BIOS. It indicates which ports that the device supports are available for software to use. For ports that are not available, software must not read or write to registers within that port.

Bit	Description
31:4	Reserved. Returns 0.
3 (Intel® ICH7R and ICH7DH Only)	<b>Ports Implemented Port 3 (PI3)</b> — R/WO. 0 = The port is not implemented. 1 = The port is implemented.
3 (Mobile Only)	Ports Implemented Port 3 (PI3) — RO. 0 = The port is not implemented.
2	<b>Ports Implemented Port 2 (PI2)</b> — R/WO. 0 = The port is not implemented. 1 = The port is implemented.
1 (ICH7R and ICH7DH Only)	<b>Ports Implemented Port 1 (PI1)</b> — R/WO. 0 = The port is not implemented. 1 = The port is implemented.
1 (Mobile Only)	Ports Implemented Port 1 (PI1) — RO. 0 = The port is not implemented.
0	<b>Ports Implemented Port 0 (PI0)</b> — R/WO. 0 = The port is not implemented. 1 = The port is implemented.

**12.3.1.5 VS—AHCI Version (D31:F2)**

Address Offset: ABAR + 10h–13h                      Attribute:                      RO  
 Default Value: 00010100h                      Size:                      32 bits

This register indicates the major and minor version of the AHCI specification. It is BCD encoded. The upper two bytes represent the major version number, and the lower two bytes represent the minor version number. Example: Version 3.12 would be represented as 00030102h. The current version of the specification is 1.10 (00010100h).

Bit	Description
31:16	Major Version Number (MJR) — RO. Indicates the major version is 1
15:0	Minor Version Number (MNR) — RO. Indicates the minor version is 10.





## 12.3.2 Port Registers (D31:F2)

Table 12-5. Port [3:0] DMA Register Address Map (Sheet 1 of 2)

ABAR + Offset	Mnemonic	Register
100h–103h	POCLB	Port 0 Command List Base Address
104h–107h	POCLBU	Port 0 Command List Base Address Upper 32-Bits
108h–10Bh	P0FB	Port 0 FIS Base Address
10Ch–10Fh	POFBU	Port 0 FIS Base Address Upper 32-Bits
110h–113h	POIS	Port 0 Interrupt Status
114h–117h	P0IE	Port 0 Interrupt Enable
118h–11Ch	POCMD	Port 0 Command
11Ch–11Fh	—	Reserved
120h–123h	POTFD	Port 0 Task File Data
124h–127h	POSIG	Port 0 Signature
128h–12Bh	POSSTS	Port 0 Serial ATA Status
12Ch–12Fh	POSCTL	Port 0 Serial ATA Control
130h–133h	POSERR	Port 0 Serial ATA Error
134h–137h	POSACT	Port 0 Serial ATA Active
138h–13Bh	P0CI	Port 0 Command Issue
13Ch–17Fh	—	Reserved
180h–1FFh (Mobile Only)	—	Reserved Registers are not available and software must not read from or write to registers.
180h–183h	P1CLB	Port 1 Command List Base Address
184h–187h	P1CLBU	Port 1 Command List Base Address Upper 32-Bits
188h–18Bh	P1FB	Port 1 FIS Base Address
18Ch–18Fh	P1FBU	Port 1 FIS Base Address Upper 32-Bits
190h–193h	P1IS	Port 1 Interrupt Status
194h–197h	P1IE	Port 1 Interrupt Enable
198h–19Ch	P1CMD	Port 1 Command
19Ch–19Fh	—	Reserved
1A0h–1A3h	P1TFD	Port 1 Task File Data
1A4h–1A7h	P1SIG	Port 1 Signature
1A8h–1ABh	P1SSTS	Port 1 Serial ATA Status
1ACh–1AFh	P1SCTL	Port 1 Serial ATA Control
1B0h–1B3h	P1SERR	Port 1 Serial ATA Error
1B4h–1B7h	P1SACT	Port 1 Serial ATA Active
1B8h–1BBh	P1CI	Port 1 Command Issue
1BCh–1FFh	—	Reserved
200h–203h	P2CLB	Port 2 Command List Base Address
204h–207h	P2CLBU	Port 2 Command List Base Address Upper 32-Bits
208h–20Bh	P2FB	Port 2 FIS Base Address



Table 12-5. Port [3:0] DMA Register Address Map (Sheet 2 of 2)

ABAR + Offset	Mnemonic	Register
20Ch–20Fh	P2FBU	Port 2 FIS Base Address Upper 32-Bits
210h–213h	P2IS	Port 2 Interrupt Status
214h–217h	P2IE	Port 2 Interrupt Enable
218h–21Ch	P2CMD	Port 2 Command
21Ch–21Fh	—	Reserved
220h–223h	P2TFD	Port 2 Task File Data
224h–227h	P2SIG	Port 2 Signature
228h–22Bh	P2SSTS	Port 2 Serial ATA Status
22Ch–22Fh	P2SCTL	Port 2 Serial ATA Control
230h–233h	P2SERR	Port 2 Serial ATA Error
234h–237h	P2SACT	Port 2 Serial ATA Active
238h–23Bh	P2CI	Port 2 Command Issue
23Ch–27Fh	—	Reserved
280h–2FFh (Mobile Only)	—	Reserved Registers are not available and software must not read from or write to registers.
280h–283h	P3CLB	Port 3 Command List Base Address
284h–287h	P3CLBU	Port 3 Command List Base Address Upper 32-Bits
288h–28Bh	P3FB	Port 3 FIS Base Address
28Ch–28Fh	P3FBU	Port 3 FIS Base Address Upper 32-Bits
290h–293h	P3IS	Port 3 Interrupt Status
294h–297h	P3IE	Port 3 Interrupt Enable
298h–29Ch	P3CMD	Port 3 Command
29Ch–29Fh	—	Reserved
2A0h–2A3h	P3TFD	Port 3 Task File Data
2A4h–2A7h	P3SIG	Port 3 Signature
2A8h–2ABh	P3SSTS	Port 3 Serial ATA Status
2ACh–2AFh	P3SCTL	Port 3 Serial ATA Control
2B0h–2B3h	P3SERR	Port 3 Serial ATA Error
2B4h–2B7h	P3SACT	Port 3 Serial ATA Active
2B8h–2BBh	P3CI	Port 3 Command Issue
2BCh–2FFh	—	Reserved



### 12.3.2.1 PxCLB—Port [3:0] Command List Base Address Register (D31:F2)

Address Offset: Port 0: ABAR + 100h      Attribute: R/W, RO  
 Port 1: ABAR + 180h (ICH7R and ICH7DH Only)  
 Port 2: ABAR + 200h  
 Port 3: ABAR + 280h (ICH7R and ICH7DH Only)  
 Default Value: Undefined      Size: 32 bits

Bit	Description
31:10	<b>Command List Base Address (CLB)</b> — R/W. Indicates the 32-bit base for the command list for this port. This base is used when fetching commands to execute. The structure pointed to by this address range is 1 KB in length. This address must be 1-KB aligned as indicated by bits 31:10 being read/write. Note that these bits are not reset on a HBA reset.
9:0	Reserved — RO

### 12.3.2.2 PxCLBU—Port [3:0] Command List Base Address Upper 32-Bits Register (D31:F2)

Address Offset: Port 0: ABAR + 104h      Attribute: R/W  
 Port 1: ABAR + 184h (ICH7R and ICH7DH Only)  
 Port 2: ABAR + 204h  
 Port 3: ABAR + 284h (ICH7R and ICH7DH Only)  
 Default Value: Undefined      Size: 32 bits

Bit	Description
31:0	<b>Command List Base Address Upper (CLBU)</b> — R/W. Indicates the upper 32-bits for the command list base address for this port. This base is used when fetching commands to execute. Note that these bits are not reset on a HBA reset.

### 12.3.2.3 PxFB—Port [3:0] FIS Base Address Register (D31:F2)

Address Offset: Port 0: ABAR + 108h      Attribute: R/W, RO  
 Port 1: ABAR + 188h (ICH7R and ICH7DH Only)  
 Port 2: ABAR + 208h  
 Port 3: ABAR + 288h (ICH7R and ICH7DH Only)  
 Default Value: Undefined      Size: 32 bits

Bit	Description
31:8	<b>FIS Base Address (FB)</b> — R/W. Indicates the 32-bit base for received FISes. The structure pointed to by this address range is 256 bytes in length. This address must be 256-byte aligned, as indicated by bits 31:3 being read/write. Note that these bits are not reset on a HBA reset.
7:0	Reserved — RO



### 12.3.2.4 PxFBU—Port [3:0] FIS Base Address Upper 32-Bits Register (D31:F2)

Address Offset: Port 0: ABAR + 10Ch      Attribute:      R/W  
                   Port 1: ABAR + 18Ch  
                   Port 2: ABAR + 20Ch  
                   Port 3: ABAR + 28Ch  
 Default Value: Undefined                      Size:                      32 bits

Bit	Description
31:3	<b>FIS Base Address Upper (FBU)</b> — R/W. Indicates the upper 32-bits for the received FIS base for this port. Note that these bits are not reset on a HBA reset.
2:0	Reserved

### 12.3.2.5 PxlS—Port [3:0] Interrupt Status Register (D31:F2)

Address Offset: Port 0: ABAR + 110h      Attribute:      R/WC, RO  
                   Port 1: ABAR + 190h (ICH7R and ICH7DH Only)  
                   Port 2: ABAR + 210h  
                   Port 3: ABAR + 290h (ICH7R and ICH7DH Only)  
 Default Value: 00000000h                      Size:                      32 bits

Bit	Description
31	Cold Port Detect Status (CPDS) — RO. Cold presence not supported.
30	<b>Task File Error Status (TFES)</b> — R/WC. This bit is set whenever the status register is updated by the device and the error bit (PxTFD.bit 0) is set.
29	<b>Host Bus Fatal Error Status (HBFS)</b> — R/WC. Indicates that the Intel® ICH7 encountered an error that it cannot recover from due to a bad software pointer. In PCI, such an indication would be a target or master abort.
28	<b>Host Bus Data Error Status (HBDS)</b> — R/WC. Indicates that the ICH7 encountered a data error (uncorrectable ECC / parity) when reading from or writing to system memory.
27	<b>Interface Fatal Error Status (IFS)</b> — R/WC. Indicates that the ICH7 encountered an error on the SATA interface which caused the transfer to stop.
26	<b>Interface Non-fatal Error Status (INFS)</b> — R/WC. Indicates that the ICH7 encountered an error on the SATA interface but was able to continue operation.
25	Reserved
24	<b>Overflow Status (OFS)</b> — R/WC. Indicates that the ICH7 received more bytes from a device than was specified in the PRD table for the command.
23	<b>Incorrect Port Multiplier Status (IPMS)</b> — R/WC. Indicates that the ICH7 received a FIS from a device whose Port Multiplier field did not match what was expected. <b>NOTE:</b> Port Multiplier not supported by ICH7.
22	<b>PhyRdy Change Status (PRCS)</b> — RO. When set to one indicates the internal PhyRdy signal changed state. This bit reflects the state of PxSERR.DIAG.N. Unlike most of the other bits in the register, this bit is RO and is only cleared when PxSERR.DIAG.N is cleared. Note that the internal PhyRdy signal also transitions when the port interface enters partial or slumber power management states. Partial and slumber must be disabled when Surprise Removal Notification is desired, otherwise the power management state transitions will appear as false insertion and removal events.



Bit	Description
21:8	Reserved
7	<b>Device Interlock Status (DIS)</b> — R/WC. When set, indicates that a platform interlock switch has been opened or closed, which may lead to a change in the connection state of the device. This bit is only valid in systems that support an interlock switch (CAP.SIS [ABAR+00:bit 28] set). For systems that do not support an interlock switch, this bit will always be 0.
6	<b>Port Connect Change Status (PCS)</b> — RO. This bit reflects the state of PxSERR.DIAG.X. (ABAR+130h/1D0h/230h/2D0h, bit 26) Unlike other bits in this register, this bit is only cleared when PxSERR.DIAG.X is cleared. 0 = No change in Current Connect Status. 1 = Change in Current Connect Status.
5	<b>Descriptor Processed (DPS)</b> — R/WC. A PRD with the I bit set has transferred all its data.
4	<b>Unknown FIS Interrupt (UFS)</b> — RO. When set to '1' indicates that an unknown FIS was received and has been copied into system memory. This bit is cleared to '0' by software clearing the PxSERR.DIAG.F bit to '0'. Note that this bit does not directly reflect the PxSERR.DIAG.F bit. PxSERR.DIAG.F is set immediately when an unknown FIS is detected, whereas this bit is set when the FIS is posted to memory. Software should wait to act on an unknown FIS until this bit is set to '1' or the two bits may become out of sync.
3	<b>Set Device Bits Interrupt (SDBS)</b> — R/WC. A Set Device Bits FIS has been received with the I bit set and has been copied into system memory.
2	<b>DMA Setup FIS Interrupt (DSS)</b> — R/WC. A DMA Setup FIS has been received with the I bit set and has been copied into system memory.
1	<b>PIO Setup FIS Interrupt (PSS)</b> — R/WC. A PIO Setup FIS has been received with the I bit set, it has been copied into system memory, and the data related to that FIS has been transferred.
0	<b>Device to Host Register FIS Interrupt (DHRS)</b> — R/WC. A D2H Register FIS has been received with the I bit set, and has been copied into system memory.

### 12.3.2.6 PxIE—Port [3:0] Interrupt Enable Register (D31:F2)

Address Offset: Port 0: ABAR + 114h      Attribute: R/W, RO  
 Port 1: ABAR + 194h (ICH7R and ICH7DH Only)  
 Port 2: ABAR + 214h  
 Port 3: ABAR + 294h (ICH7R and ICH7DH Only)  
 Default Value: 00000000h      Size: 32 bits

This register enables and disables the reporting of the corresponding interrupt to system software. When a bit is set ('1') and the corresponding interrupt condition is active, then an interrupt is generated. Interrupt sources that are disabled ('0') are still reflected in the status registers.

Bit	Description
31	Cold Presence Detect Enable (CPDE) — RO. Cold Presence Detect not supported.
30	<b>Task File Error Enable (TFEE)</b> — R/W. When set, and GHC.IE and PxTFD.STS.ERR (due to a reception of the error register from a received FIS) are set, the Intel® ICH7 will generate an interrupt.
29	<b>Host Bus Fatal Error Enable (HBFE)</b> — R/W. When set, and GHC.IE and PxS.HBFS are set, the ICH7 will generate an interrupt.



Bit	Description
28	<b>Host Bus Data Error Enable (HBDE)</b> — R/W. When set, and GHC.IE and PxS.HBDS are set, the ICH7 will generate an interrupt.
27	<b>Host Bus Data Error Enable (HBDE)</b> — R/W. When set, GHC.IE is set, and PxS.HBDS is set, the ICH7 will generate an interrupt.
26	<b>Interface Non-fatal Error Enable (INFE)</b> — R/W. When set, GHC.IE is set, and PxS.INFS is set, the ICH7 will generate an interrupt.
25	Reserved - Should be written as 0
24	<b>Overflow Error Enable (OFE)</b> — R/W. When set, and GHC.IE and PxS.OFS are set, the ICH7 will generate an interrupt.
23	<b>Incorrect Port Multiplier Enable (IPME)</b> — R/W. When set, and GHC.IE and PxS.IPMS are set, the ICH7 will generate an interrupt. <b>NOTE:</b> Should be written as 0. Port Multiplier not supported by ICH7.
22	<b>PhyRdy Change Interrupt Enable (PRCE)</b> — R/W. When set, and GHC.IE is set, and PxS.PRCS is set, the ICH7 shall generate an interrupt.
21:8	Reserved - Should be written as 0
7	<b>Device Interlock Enable (DIE)</b> — R/W. When set, and PxS.DIS is set, the ICH7 will generate an interrupt. For systems that do not support an interlock switch, this bit shall be a read-only 0.
6	<b>Port Change Interrupt Enable (PCE)</b> — R/W. When set, and GHC.IE and PxS.PCS are set, the ICH7 will generate an interrupt.
5	<b>Descriptor Processed Interrupt Enable (DPE)</b> — R/W. When set, and GHC.IE and PxS.DPS are set, the ICH7 will generate an interrupt
4	<b>Unknown FIS Interrupt Enable (UFIE)</b> — R/W. When set, and GHC.IE is set and an unknown FIS is received, the ICH7 will generate this interrupt.
3	<b>Set Device Bits FIS Interrupt Enable (SDBE)</b> — R/W. When set, and GHC.IE and PxS.SDBS are set, the ICH7 will generate an interrupt.
2	<b>DMA Setup FIS Interrupt Enable (DSE)</b> — R/W. When set, and GHC.IE and PxS.DSS are set, the ICH7 will generate an interrupt.
1	<b>PIO Setup FIS Interrupt Enable (PSE)</b> — R/W. When set, and GHC.IE and PxS.PSS are set, the ICH7 will generate an interrupt.
0	<b>Device to Host Register FIS Interrupt Enable (DHRE)</b> — R/W. When set, and GHC.IE and PxS.DHRS are set, the ICH7 will generate an interrupt.



### 12.3.2.7 PxCMD—Port [3:0] Command Register (D31:F2)

Address Offset: Port 0: ABAR + 118h      Attribute: R/W, RO, R/WO  
 Port 1: ABAR + 198h (ICH7R and ICH7DH Only)  
 Port 2: ABAR + 218h  
 Port 3: ABAR + 298h (ICH7R and ICH7DH Only)  
 Default Value: 0000w00wh      Size: 32 bits  
 where w = 00?0b (for?, see bit description)

Bit	Description														
31:28	<p><b>Interface Communication Control (ICC)</b> — R/W. This is a four bit field which can be used to control reset and power states of the interface. Writes to this field will cause actions on the interface, either as primitives or an OOB sequence, and the resulting status of the interface will be reported in the PxSSTS register (Address offset Port 0: ABAR+124h, Port 1: ABAR+1A4h, Port 2: ABAR+224h, Port 3: ABAR+2A4h).</p> <table border="1"> <thead> <tr> <th>Value</th> <th>Definition</th> </tr> </thead> <tbody> <tr> <td>Fh–7h</td> <td>Reserved</td> </tr> <tr> <td>6h</td> <td>Slumber: This will cause the Intel® ICH7 to request a transition of the interface to the slumber state. The SATA device may reject the request and the interface will remain in its current state</td> </tr> <tr> <td>5h–3h</td> <td>Reserved</td> </tr> <tr> <td>2h</td> <td>Partial: This will cause the ICH7 to request a transition of the interface to the partial state. The SATA device may reject the request and the interface will remain in its current state.</td> </tr> <tr> <td>1h</td> <td>Active: This will cause the ICH7 to request a transition of the interface into the active</td> </tr> <tr> <td>0h</td> <td>No-Op / Idle: When software reads this value, it indicates the ICH7 is not in the process of changing the interface state or sending a device reset, and a new link command may be issued.</td> </tr> </tbody> </table> <p>When system software writes a non-reserved value other than No-Op (0h), the ICH7 will perform the action and update this field back to Idle (0h).            If software writes to this field to change the state to a state the link is already in (e.g. interface is in the active state and a request is made to go to the active state), the ICH7 will take no action and return this field to Idle.  <b>NOTE:</b> When the ALPE bit (bit 26) is set, then this register should not be set to 02h or 06h.</p>	Value	Definition	Fh–7h	Reserved	6h	Slumber: This will cause the Intel® ICH7 to request a transition of the interface to the slumber state. The SATA device may reject the request and the interface will remain in its current state	5h–3h	Reserved	2h	Partial: This will cause the ICH7 to request a transition of the interface to the partial state. The SATA device may reject the request and the interface will remain in its current state.	1h	Active: This will cause the ICH7 to request a transition of the interface into the active	0h	No-Op / Idle: When software reads this value, it indicates the ICH7 is not in the process of changing the interface state or sending a device reset, and a new link command may be issued.
Value	Definition														
Fh–7h	Reserved														
6h	Slumber: This will cause the Intel® ICH7 to request a transition of the interface to the slumber state. The SATA device may reject the request and the interface will remain in its current state														
5h–3h	Reserved														
2h	Partial: This will cause the ICH7 to request a transition of the interface to the partial state. The SATA device may reject the request and the interface will remain in its current state.														
1h	Active: This will cause the ICH7 to request a transition of the interface into the active														
0h	No-Op / Idle: When software reads this value, it indicates the ICH7 is not in the process of changing the interface state or sending a device reset, and a new link command may be issued.														
27	<p><b>Aggressive Slumber / Partial (ASP)</b> — R/W. When set, and the ALPE bit (bit 26) is set, the ICH7 will aggressively enter the slumber state when it clears the PxCI register and the PxSACT register is cleared. When cleared, and the ALPE bit is set, the ICH7 will aggressively enter the partial state when it clears the PxCI register and the PxSACT register is cleared.</p>														
26	<p><b>Aggressive Link Power Management Enable (ALPE)</b> — R/W. When set, the ICH7 will aggressively enter a lower link power state (partial or slumber) based upon the setting of the ASP bit (bit 27).</p>														
25	<p><b>Drive LED on ATAPI Enable (DLAE)</b> — R/W. When set, the ICH7 will drive the LED pin active for ATAPI commands (PxCLB[CHz.A] set) in addition to ATA commands. When cleared, the ICH7 will only drive the LED pin active for ATA commands. See <a href="#">Section 5.17.5</a> for details on the activity LED.</p>														
24	<p><b>HDevice is ATAPI (ATAPI)</b> — R/W. When set, the connected device is an ATAPI device. This bit is used by the ICH7 to control whether or not to generate the desktop LED when commands are active. See <a href="#">Section 5.17.5</a> for details on the activity LED.</p>														
23:20	Reserved														



Bit	Description
19	<p><b>Interlock Switch Attached to Port (ISP)</b> — R/WO. When interlock switches are supported in the platform (CAP.SIS [ABAR+00h:bit 28] set), this indicates whether this particular port has an interlock switch attached. This bit can be used by system software to enable such features as aggressive power management, as disconnects can always be detected regardless of PHY state with an interlock switch. When this bit is set, it is expected that HPCP (bit 18) in this register is also set.</p> <p>The ICH7 takes no action on the state of this bit – it is for system software only. For example, if this bit is cleared, and an interlock switch toggles, the ICH7 still treats it as a proper interlock switch event.</p> <p>Note that these bits are not reset on a HBA reset.</p>
18	<p><b>Hot Plug Capable Port (HPCP)</b> — R/WO.</p> <p>0 = Port is not capable of Hot-Plug. 1 = Port is Hot-Plug capable.</p> <p>This indicates whether the platform exposes this port to a device which can be Hot-Plugged. SATA by definition is hot-pluggable, but not all platforms are constructed to allow the device to be removed (it may be screwed into the chassis, for example). This bit can be used by system software to indicate a feature such as “eject device” to the end-user. The ICH7 takes no action on the state of this bit - it is for system software only. For example, if this bit is cleared, and a Hot-Plug event occurs, the ICH7 still treats it as a proper Hot-Plug event.</p> <p>Note that these bits are not reset on a HBA reset.</p>
17	<p><b>Port Multiplier Attached (PMA)</b> — RO / R/W. When this bit is set, a port multiplier is attached to the ICH7 for this port. When cleared, a port multiplier is not attached to this port.</p> <p>This bit is RO 0 when CAP.PMS (offset ABAR+00h:bit 17) = 0 and R/W when CAP.PMS = 1.</p> <p><b>NOTE:</b> Port Multiplier not supported by ICH7.</p>
16	<p>Port Multiplier FIS Based Switching Enable (PMFSE) — RO. The ICH7 does not support FIS-based switching.</p> <p><b>NOTE:</b> Port Multiplier not supported by ICH7.</p>
15	<p><b>Controller Running (CR)</b> — RO. When this bit is set, the DMA engines for a port are running. See section 5.2.2 of the <i>Serial ATA AHCI Specification</i> for details on when this bit is set and cleared by the ICH7.</p>
14	<p><b>FIS Receive Running (FR)</b> — RO. When set, the FIS Receive DMA engine for the port is running. See section 12.2.2 of the <i>Serial ATA AHCI Specification</i> for details on when this bit is set and cleared by the ICH7.</p>
13	<p><b>Interlock Switch State (ISS)</b> — RO. For systems that support interlock switches (via CAP.SIS [ABAR+00h:bit 28]), if an interlock switch exists on this port (via ISP in this register), this bit indicates the current state of the interlock switch. A 0 indicates the switch is closed, and a 1 indicates the switch is opened.</p> <p>For systems that do not support interlock switches, or if an interlock switch is not attached to this port, this bit reports 0.</p>
12:8	<p><b>Current Command Slot (CCS)</b> — RO. Indicates the current command slot the ICH7 is processing. This field is valid when the ST bit is set in this register, and is constantly updated by the ICH7. This field can be updated as soon as the ICH7 recognizes an active command slot, or at some point soon after when it begins processing the command.</p> <p>This field is used by software to determine the current command issue location of the ICH7. In queued mode, software shall not use this field, as its value does not represent the current command being executed. Software shall only use PxCI and PxSACT when running queued commands.</p>
7:5	Reserved





Bit	Description
4	<p><b>FIS Receive Enable (FRE)</b> — R/W. When set, the ICH7 may post received FISes into the FIS receive area pointed to by PxFB (ABAR+108h/188h/208h/288h) and PxFBU (ABAR+10Ch/18Ch/20Ch/28Ch). When cleared, received FISes are not accepted by the ICH7, except for the first D2H (device-to-host) register FIS after the initialization sequence.</p> <p>System software must not set this bit until PxFB (PxFBU) have been programmed with a valid pointer to the FIS receive area, and if software wishes to move the base, this bit must first be cleared, and software must wait for the FR bit (bit 14) in this register to be cleared.</p>
3	<p>Command List Override (CLO) — R/W. Setting this bit to '1' causes PxTFD.STS.BSY and PxTFD.STS.DRQ to be cleared to '0'. This allows a software reset to be transmitted to the device regardless of whether the BSY and DRQ bits are still set in the PxTFD.STS register. The HBA sets this bit to '0' when PxTFD.STS.BSY and PxTFD.STS.DRQ have been cleared to '0'. A write to this register with a value of '0' shall have no effect.</p> <p>This bit shall only be set to '1' immediately prior to setting the PxCMD.ST bit to '1' from a previous value of '0'. Setting this bit to '1' at any other time is not supported and will result in indeterminate behavior</p>
2	<p>Power On Device (POD) — RO. Cold presence detect not supported. Defaults to 1.</p>
1	<p><b>Spin-Up Device (SUD)</b> — R/W / RO. This bit is R/W and defaults to 0 for systems that support staggered spin-up (R/W when CAP.SSS (ABAR+00h:bit 27) is 1). Bit is RO 1 for systems that do not support staggered spin-up (when CAP.SSS is 0).</p> <p>0 = No action. 1 = On an edge detect from 0 to 1, the ICH7 starts a COMRESET initialization sequence to the device.</p>
0	<p><b>Start (ST)</b> — R/W. When set, the ICH7 may process the command list. When cleared, the ICH7 may not process the command list. Whenever this bit is changed from a 0 to a 1, the ICH7 starts processing the command list at entry 0. Whenever this bit is changed from a 1 to a 0, the PxCI register is cleared by the ICH7 upon the ICH7 putting the controller into an idle state.</p> <p>Refer to section 10.3.1 of the Serial ATA AHCI Specification for important restrictions on when ST can be set to 1.</p>



### 12.3.2.8 PxTFD—Port [3:0] Task File Data Register (D31:F2)

Address Offset: Port 0: ABAR + 120h      Attribute: RO  
 Port 1: ABAR + 1A0h (ICH7R and ICH7DH Only)  
 Port 2: ABAR + 220h  
 Port 3: ABAR + 2A0h (ICH7R and ICH7DH Only)  
 Default Value: 0000007Fh      Size: 32 bits

This is a 32-bit register that copies specific fields of the task file when FISes are received. The FISes that contain this information are:

- D2H Register FIS
- PIO Setup FIS
- Set Device Bits FIS

Bit	Description		
31:16	Reserved		
15:8	<b>Error (ERR)</b> — RO. Contains the latest copy of the task file error register.		
7:0	<b>Status (STS)</b> — RO. Contains the latest copy of the task file status register. Fields of note in this register that affect AHCI.		
	<b>Bit</b> <b>Field</b> <b>Definition</b>		
	7	BSY	Indicates the interface is busy
	6:4	N/A	Not applicable
	3	DRQ	Indicates a data transfer is requested
	2:1	N/A	Not applicable
0	ERR	Indicates an error during the transfer	

### 12.3.2.9 PxSIG—Port [3:0] Signature Register (D31:F2)

Address Offset: Port 0: ABAR + 124h      Attribute: RO  
 Port 1: ABAR + 1A4h (ICH7R and ICH7DH Only)  
 Port 2: ABAR + 224h  
 Port 3: ABAR + 2A4h (ICH7R and ICH7DH Only)  
 Default Value: FFFFFFFFh      Size: 32 bits

This is a 32-bit register which contains the initial signature of an attached device when the first D2H Register FIS is received from that device. It is updated once after a reset sequence.

Bit	Description	
31:0	<b>Signature (SIG)</b> — RO. Contains the signature received from a device on the first D2H register FIS. The bit order is as follows:	
	<b>Bit</b> <b>Field</b>	
	31:24	LBA High Register
	23:16	LBA Mid Register
	15:8	LBA Low Register
7:0	Sector Count Register	



### 12.3.2.10 PxSSTS—Port [3:0] Serial ATA Status Register (D31:F2)

Address Offset:	Port 0: ABAR + 128h	Attribute:	RO
	Port 1: ABAR + 1A8h (Desktop Only)		
	Port 2: ABAR + 228h		
	Port 3: ABAR + 2A8h (Desktop Only)		
Default Value:	00000000h	Size:	32 bits

This is a 32-bit register that conveys the current state of the interface and host. The ICH7 updates it continuously and asynchronously. When the ICH7 transmits a COMRESET to the device, this register is updated to its reset values.

Bit	Description										
31:12	Reserved										
11:8	<p><b>Interface Power Management (IPM)</b> — RO. Indicates the current interface state:</p> <table> <thead> <tr> <th>Value</th> <th>Description</th> </tr> </thead> <tbody> <tr> <td>0h</td> <td>Device not present or communication not established</td> </tr> <tr> <td>1h</td> <td>Interface in active state</td> </tr> <tr> <td>2h</td> <td>Interface in PARTIAL power management state</td> </tr> <tr> <td>6h</td> <td>Interface in SLUMBER power management state</td> </tr> </tbody> </table> <p>All other values reserved.</p>	Value	Description	0h	Device not present or communication not established	1h	Interface in active state	2h	Interface in PARTIAL power management state	6h	Interface in SLUMBER power management state
Value	Description										
0h	Device not present or communication not established										
1h	Interface in active state										
2h	Interface in PARTIAL power management state										
6h	Interface in SLUMBER power management state										
7:4	<p><b>Current Interface Speed (SPD)</b> — RO. Indicates the negotiated interface communication speed.</p> <table> <thead> <tr> <th>Value</th> <th>Description</th> </tr> </thead> <tbody> <tr> <td>0h</td> <td>Device not present or communication not established</td> </tr> <tr> <td>1h</td> <td>Generation 1 communication rate negotiated</td> </tr> <tr> <td>2h</td> <td>Generation 2 communication rate negotiated</td> </tr> </tbody> </table> <p>All other values reserved.</p> <p>Intel® ICH7 supports Generation 1 communication rates (1.5 Gb/sec) and Gen 2 rates (3.0 Gb/s).</p> <p>ICH7 Mobile SKUs support Generation 1 communication rates (1.5 Gb/sec).</p>	Value	Description	0h	Device not present or communication not established	1h	Generation 1 communication rate negotiated	2h	Generation 2 communication rate negotiated		
Value	Description										
0h	Device not present or communication not established										
1h	Generation 1 communication rate negotiated										
2h	Generation 2 communication rate negotiated										
3:0	<p><b>Device Detection (DET)</b> — RO. Indicates the interface device detection and Phy state:</p> <table> <thead> <tr> <th>Value</th> <th>Description</th> </tr> </thead> <tbody> <tr> <td>0h</td> <td>No device detected and Phy communication not established</td> </tr> <tr> <td>1h</td> <td>Device presence detected but Phy communication not established</td> </tr> <tr> <td>3h</td> <td>Device presence detected and Phy communication established</td> </tr> <tr> <td>4h</td> <td>Phy in offline mode as a result of the interface being disabled or running in a BIST loopback mode</td> </tr> </tbody> </table> <p>All other values reserved.</p>	Value	Description	0h	No device detected and Phy communication not established	1h	Device presence detected but Phy communication not established	3h	Device presence detected and Phy communication established	4h	Phy in offline mode as a result of the interface being disabled or running in a BIST loopback mode
Value	Description										
0h	No device detected and Phy communication not established										
1h	Device presence detected but Phy communication not established										
3h	Device presence detected and Phy communication established										
4h	Phy in offline mode as a result of the interface being disabled or running in a BIST loopback mode										



### 12.3.2.11 PxSCTL — Port [3:0] Serial ATA Control Register (D31:F2)

Address Offset: Port 0: ABAR + 12Ch Attribute: R/W, RO  
 Port 1: ABAR + 1ACh (Desktop Only)  
 Port 2: ABAR + 22Ch  
 Port 3: ABAR + 2ACh (Desktop Only)  
 Default Value: 00000004h Size: 32 bits

This is a 32-bit read-write register by which software controls SATA capabilities. Writes to the SControl register result in an action being taken by the ICH7 or the interface. Reads from the register return the last value written to it.

Bit	Description										
31:20	Reserved										
19:16	Port Multiplier Port (PMP) — RO. This field is not used by AHCI <b>NOTE:</b> Port Multiplier not supported by Intel® ICH7.										
15:12	Select Power Management (SPM) — RO. This field is not used by AHCI										
11:8	<b>Interface Power Management Transitions Allowed (IPM)</b> — R/W. Indicates which power states the ICH7 is allowed to transition to: <table border="1"> <thead> <tr> <th>Value</th> <th>Description</th> </tr> </thead> <tbody> <tr> <td>0h</td> <td>No interface restrictions</td> </tr> <tr> <td>1h</td> <td>Transitions to the PARTIAL state disabled</td> </tr> <tr> <td>2h</td> <td>Transitions to the SLUMBER state disabled</td> </tr> <tr> <td>3h</td> <td>Transitions to both PARTIAL and SLUMBER states disabled</td> </tr> </tbody> </table> All other values reserved	Value	Description	0h	No interface restrictions	1h	Transitions to the PARTIAL state disabled	2h	Transitions to the SLUMBER state disabled	3h	Transitions to both PARTIAL and SLUMBER states disabled
Value	Description										
0h	No interface restrictions										
1h	Transitions to the PARTIAL state disabled										
2h	Transitions to the SLUMBER state disabled										
3h	Transitions to both PARTIAL and SLUMBER states disabled										
7:4	<b>Speed Allowed (SPD)</b> — R/W. Indicates the highest allowable speed of the interface. This speed is limited by the CAP.ISS (ABAR+00h:bit 23:20) field. <table border="1"> <thead> <tr> <th>Value</th> <th>Description</th> </tr> </thead> <tbody> <tr> <td>0h</td> <td>No speed negotiation restrictions</td> </tr> <tr> <td>1h</td> <td>Limit speed negotiation to Generation 1 communication rate</td> </tr> <tr> <td>2h</td> <td>Limit speed negotiation to Generation 2 communication rate</td> </tr> </tbody> </table> All other values reserved ICH7 Supports Generation 1 communication rates (1.5 Gb/sec) and Gen 2 rates (3.0 Gb/s). ICH7 Mobile SKUs support Generation 1 communication rates (1.5 Gb/sec).	Value	Description	0h	No speed negotiation restrictions	1h	Limit speed negotiation to Generation 1 communication rate	2h	Limit speed negotiation to Generation 2 communication rate		
Value	Description										
0h	No speed negotiation restrictions										
1h	Limit speed negotiation to Generation 1 communication rate										
2h	Limit speed negotiation to Generation 2 communication rate										
3:0	<b>Device Detection Initialization (DET)</b> — R/W. Controls the ICH7's device detection and interface initialization. <table border="1"> <thead> <tr> <th>Value</th> <th>Description</th> </tr> </thead> <tbody> <tr> <td>0h</td> <td>No device detection or initialization action requested</td> </tr> <tr> <td>1h</td> <td>Perform interface communication initialization sequence to establish communication. This is functionally equivalent to a hard reset and results in the interface being reset and communications re-initialized</td> </tr> <tr> <td>4h</td> <td>Disable the Serial ATA interface and put Phy in offline mode</td> </tr> </tbody> </table> All other values reserved. When this field is written to a 1h, the ICH7 initiates COMRESET and starts the initialization process. When the initialization is complete, this field shall remain 1h until set to another value by software. This field may only be changed to 1h or 4h when PxCMD.ST is 0. Changing this field while the ICH7 is running results in undefined behavior.	Value	Description	0h	No device detection or initialization action requested	1h	Perform interface communication initialization sequence to establish communication. This is functionally equivalent to a hard reset and results in the interface being reset and communications re-initialized	4h	Disable the Serial ATA interface and put Phy in offline mode		
Value	Description										
0h	No device detection or initialization action requested										
1h	Perform interface communication initialization sequence to establish communication. This is functionally equivalent to a hard reset and results in the interface being reset and communications re-initialized										
4h	Disable the Serial ATA interface and put Phy in offline mode										



### 12.3.2.12 PxSERR—Port [3:0] Serial ATA Error Register (D31:F2)

Address Offset: Port 0: ABAR + 130h      Attribute: R/WC  
 Port 1: ABAR + 1B0h (ICH7R and ICH7DH Only)  
 Port 2: ABAR + 230h  
 Port 3: ABAR + 2B0h (ICH7R and ICH7DH Only)  
 Default Value: 00000000h      Size: 32 bits

Bit	Description
	<b>Diagnostics (DIAG)</b> — R/WC. Contains diagnostic error information for use by diagnostic software in validating correct operation or isolating failure modes:
	<b>Bits Description</b>
	31:27 Reserved
	26 <b>Exchanged (X)</b> : When set to one this bit indicates a COMINIT signal was received. This bit is reflected in the interrupt register PxIS.PCS.
	25 <b>Unrecognized FIS Type (F)</b> : Indicates that one or more FISs were received by the Transport layer with good CRC, but had a type field that was not recognized.
	24 <b>Transport state transition error (T)</b> : Indicates that an error has occurred in the transition from one state to another within the Transport layer since the last time this bit was cleared.
	23 <b>Link Sequence Error (S)</b> : Indicates that one or more Link state machine error conditions was encountered. The Link Layer state machine defines the conditions under which the link layer detects an erroneous transition.
31:16	22 <b>Handshake Error (H)</b> : Indicates that one or more R_ERR handshake response was received in response to frame transmission. Such errors may be the result of a CRC error detected by the recipient, a disparity or 8b/10b decoding error, or other error condition leading to a negative handshake on a transmitted frame.
	21 <b>CRC Error (C)</b> : Indicates that one or more CRC errors occurred with the Link Layer.
	20 <b>Disparity Error (D)</b> : This field is not used by AHCI.
	19 <b>10b to 8b Decode Error (B)</b> : Indicates that one or more 10b to 8b decoding errors occurred.
	18 <b>Comm Wake (W)</b> : Indicates that a Comm Wake signal was detected by the Phy.
	17 <b>Phy Internal Error (I)</b> : Indicates that the Phy detected some internal error.
	16 <b>PhyRdy Change (N)</b> : When set to 1 this bit indicates that the internal PhyRdy signal changed state since the last time this bit was cleared. In the Intel® ICH7, this bit will be set when PhyRdy changes from a 0 -> 1 or a 1 -> 0. The state of this bit is then reflected in the PxIS.PRCS interrupt status bit and an interrupt will be generated if enabled. Software clears this bit by writing a 1 to it.



Bit	Description
15:0	<b>Error (ERR)</b> — R/WC. The ERR field contains error information for use by host software in determining the appropriate response to the error condition. If one or more of bits 11:8 of this register are set, the controller will stop the current transfer.
	<b>Bits Description</b>
	15:12 Reserved
	11 <b>Internal Error (E)</b> : The SATA controller failed due to a master or target abort when attempting to access system memory.
	10 <b>Protocol Error (P)</b> : A violation of the Serial ATA protocol was detected. Note: The ICH7 does not set this bit for all protocol violations that may occur on the SATA link.
	9 <b>Persistent Communication or Data Integrity Error (C)</b> : A communication error that was not recovered occurred that is expected to be persistent. Persistent communications errors may arise from faulty interconnect with the device, from a device that has been removed or has failed, or a number of other causes.
	8 <b>Transient Data Integrity Error (T)</b> : A data integrity error occurred that was not recovered by the interface.
	7:2 Reserved
	1 <b>Recovered Communications Error (M)</b> : Communications between the device and host was temporarily lost but was re-established. This can arise from a device temporarily being removed, from a temporary loss of Phy synchronization, or from other causes and may be derived from the PhyNRdy signal between the Phy and Link layers.
	0 <b>Recovered Data Integrity Error (I)</b> : A data integrity error occurred that was recovered by the interface through a retry operation or other recovery action.

**12.3.2.13 PxSACT—Port [3:0] Serial ATA Active (D31:F2)**

Address Offset: Port 0: ABAR + 134h      Attribute: R/W  
 Port 1: ABAR + 1B4h (ICH7R and ICH7DH Only)  
 Port 2: ABAR + 234h  
 Port 3: ABAR + 2B4h (ICH7R and ICH7DH Only)  
 Default Value: 00000000h      Size: 32 bits

Bit	Description
31:0	<b>Device Status (DS)</b> — R/W. System software sets this bit for SATA queuing operations prior to setting the PxCl.CI bit in the same command slot entry. This field is cleared via the Set Device Bits FIS. This field is also cleared when PxCMD.ST (ABAR+118h/198h/218h/298h:bit 0) is cleared by software, and as a result of a COMRESET or SRST.



### 12.3.2.14 PxCI—Port [3:0] Command Issue Register (D31:F2)

Address Offset: Port 0: ABAR + 138h      Attribute: R/W  
 Port 1: ABAR + 1B8h (ICH7R and ICH7DH Only)  
 Port 2: ABAR + 238h  
 Port 3: ABAR + 2B8h (ICH7R and ICH7DH Only)  
 Default Value: 00000000h      Size: 32 bits

Bit	Description
31:0	<p><b>Commands Issued (CI)</b> — R/W. This field is set by software to indicate to the Intel<sup>®</sup> ICH7 that a command has been built-in system memory for a command slot and may be sent to the device. When the ICH7 receives a FIS which clears the BSY and DRQ bits for the command, it clears the corresponding bit in this register for that command slot. This field is also cleared when PxCMD.ST (ABAR+118h/198h/218h/298h:bit 0) is cleared by software.</p>

§







# 13 EHCI Controller Registers (D29:F7)

## 13.1 USB EHCI Configuration Registers (USB EHCI—D29:F7)

**Note:** Register address locations that are not shown in Table 13-1 should be treated as Reserved (see Section 6.2 for details).

**Note:** All configuration registers in this section are in the core well and reset by a core well reset and the D3-to-D0 warm reset, except as noted.

**Table 13-1. USB EHCI PCI Register Address Map (USB EHCI—D29:F7) (Sheet 1 of 2)**

Offset	Mnemonic	Register Name	Default Value	Type
00h–01h	VID	Vendor Identification	8086h	RO
02h–03h	DID	Device Identification	See register description.	RO
04h–05h	PCICMD	PCI Command	0000h	R/W, RO
06h–07h	PCISTS	PCI Status	0290h	R/W, RO
08h	RID	Revision Identification	See register description	RO
09h	PI	Programming Interface	20h	RO
0Ah	SCC	Sub Class Code	03h	RO
0Bh	BCC	Base Class Code	0Ch	RO
0Dh	PMLT	Primary Master Latency Timer	00h	RO
10h–13h	MEM_BASE	Memory Base Address	00000000h	R/W, RO
2Ch–2Dh	SVID	USB EHCI Subsystem Vendor Identification	XXXXh	R/W (special)
2Eh–2Fh	SID	USB EHCI Subsystem Identification	XXXXh	R/W (special)
34h	CAP_PTR	Capabilities Pointer	50h	RO
3Ch	INT_LN	Interrupt Line	00h	R/W
3Dh	INT_PN	Interrupt Pin	See register description	RO
50h	PWR_CAPID	PCI Power Management Capability ID	01h	RO
51h	NXT_PTR1	Next Item Pointer #1	58h	R/W (special)
52h–53h	PWR_CAP	Power Management Capabilities	C9C2h	R/W (special)
54h–55h	PWR_CNTL_STS	Power Management Control/Status	0000h	R/W, R/WC, RO





### 13.1.3 PCICMD—PCI Command Register (USB EHCI—D29:F7)

Address Offset: 0h4–05h  
Default Value: 0000h

Attribute: R/W, RO  
Size: 16 bits

Bit	Description
15:11	Reserved
10	<p><b>Interrupt Disable</b> — R/W.</p> <p>0 = The function is capable of generating interrupts. 1 = The function can not generate its interrupt to the interrupt controller.</p> <p>Note that the corresponding Interrupt Status bit (D29:F7:06h, bit 3) is not affected by the interrupt enable.</p>
9	Fast Back to Back Enable (FBE) — RO. Hardwired to 0.
8	<p>SERR# Enable (SERR_EN) — R/W.</p> <p>0 = Disables EHC's capability to generate an SERR#. 1 = The Enhanced Host controller (EHC) is capable of generating (internally) SERR# when it receive a completion status other than "successful" for one of its DMA-initiated memory reads on DMI (and subsequently on its internal interface).</p>
7	Wait Cycle Control (WCC) — RO. Hardwired to 0.
6	<p>Parity Error Response (PER) — RO.</p> <p>1 = EHCI Host Controller will check for correct parity and halt operation when bad parity is detected during the data phase as recommended by the EHCI specification. If it detects bad parity on the address or command phases when this bit is set to 1, the host controller does not take the cycle, halts the host controller (if currently not halted), and sets the host system error bit in the USBSTS register. Note that this applies to both requests and completions from the system interface.</p> <p>This bit must be set in order for the parity errors to generate SERR#.</p>
5	VGA Palette Snoop (VPS) — RO. Hardwired to 0.
4	Postable Memory Write Enable (PMWE) — RO. Hardwired to 0.
3	Special Cycle Enable (SCE) — RO. Hardwired to 0.
2	<p><b>Bus Master Enable (BME)</b> — R/W.</p> <p>0 = Disables this functionality. 1 = Enables the Intel® ICH7 to act as a master on the PCI bus for USB transfers.</p>
1	<p><b>Memory Space Enable (MSE)</b> — R/W. This bit controls access to the USB 2.0 Memory Space registers.</p> <p>0 = Disables this functionality. 1 = Enables accesses to the USB 2.0 registers. The Base Address register (D29:F7:10h) for USB 2.0 should be programmed before this bit is set.</p>
0	I/O Space Enable (IOSE) — RO. Hardwired to 0.















Bit	Description
4	Reserved
3	<b>PME Clock (PME_CLK)</b> — R/W (special). The ICH7 reports 0, indicating that no PCI clock is required to generate PME#.
2:0	<b>Version (VER)</b> — R/W (special). The ICH7 reports 010b, indicating that it complies with Revision 1.1 of the PCI Power Management Specification.

**NOTES:**

- Normally, this register is read-only to report capabilities to the power management software. To report different power management capabilities, depending on the system in which the ICH7 is used, bits 15:11 and 8:6 in this register are writable when the WRT\_RDONLY bit (D29:F7:80h, bit 0) is set. The value written to this register does not affect the hardware other than changing the value returned during a read.
- Reset: core well, but not D3-to-D0 warm reset.

### 13.1.19 PWR\_CNTL\_STS—Power Management Control/Status Register (USB EHCI—D29:F7)

Address Offset: 54h–55h  
Default Value: 0000h

Attribute: R/W, R/WC, RO  
Size: 16 bits

Bit	Description
15	<p><b>PME Status</b> — R/WC. 0 = Writing a 1 to this bit will clear it and cause the internal PME to deassert (if enabled). 1 = This bit is set when the Intel® ICH7 EHC would normally assert the PME# signal independent of the state of the PME_En bit.</p> <p><b>NOTE:</b> This bit must be explicitly cleared by the operating system each time the operating system is loaded.</p>
14:13	Data Scale — RO. Hardwired to 00b indicating it does not support the associated Data register.
12:9	Data Select — RO. Hardwired to 0000b indicating it does not support the associated Data register.
8	<p><b>PME Enable</b> — R/W. 0 = Disable. 1 = Enable. Enables ICH7 EHC to generate an internal PME signal when PME_Status is 1.</p> <p><b>NOTE:</b> This bit must be explicitly cleared by the operating system each time it is initially loaded.</p>
7:2	Reserved







### 13.1.25 PWAKE\_CAP—Port Wake Capability Register (USB EHCI—D29:F7)

Address Offset: 62–63h                      Attribute: R/W  
 Default Value: 01FFh                      Size: 16 bits

This register is in the suspend power well. The intended use of this register is to establish a policy about which ports are to be used for wake events. Bit positions 1–8 in the mask correspond to a physical port implemented on the current EHCI controller. A 1 in a bit position indicates that a device connected below the port can be enabled as a wake-up device and the port may be enabled for disconnect/connect or overcurrent events as wake-up events. This is an information-only mask register. The bits in this register **do not** affect the actual operation of the EHCI host controller. The system-specific policy can be established by BIOS initializing this register to a system-specific value. System software uses the information in this register when enabling devices and ports for remote wake-up.

These bits are not reset by a D3-to-D0 warm rest or a core well reset.

Bit	Description
15:9	Reserved — RO.
8:1	<b>Port Wake Up Capability Mask</b> — R/W. Bit positions 1 through 8 correspond to a physical port implemented on this host controller. For example, bit position 1 corresponds to port 0, bit position 2 corresponds to port 1, etc.
0	<b>Port Wake Implemented</b> — R/W. A 1 in this bit indicates that this register is implemented to software.

### 13.1.26 LEG\_EXT\_CAP—USB EHCI Legacy Support Extended Capability Register (USB EHCI—D29:F7)

Address Offset: 68–6Bh                      Attribute: R/W, RO  
 Default Value: 00000001h                      Size: 32 bits  
 Power Well: Suspend

**NOTE:** These bits are not reset by a D3-to-D0 warm rest or a core well reset.

Bit	Description
31:25	Reserved — RO. Hardwired to 00h
24	<b>HC OS Owned Semaphore</b> — R/W. System software sets this bit to request ownership of the EHCI controller. Ownership is obtained when this bit reads as 1 and the HC BIOS Owned Semaphore bit reads as clear.
23:17	Reserved — RO. Hardwired to 00h
16	<b>HC BIOS Owned Semaphore</b> — R/W. The BIOS sets this bit to establish ownership of the EHCI controller. System BIOS will clear this bit in response to a request for ownership of the EHCI controller by system software.
15:8	<b>Next EHCI Capability Pointer</b> — RO. Hardwired to 00h to indicate that there are no EHCI Extended Capability structures in this device.
7:0	<b>Capability ID</b> — RO. Hardwired to 01h to indicate that this EHCI Extended Capability is the Legacy Support Capability.





Bit	Description
15	<b>SMI on BAR Enable</b> — R/W. 0 = Disable. 1 = Enable. When this bit is 1 and SMI on BAR (D29:F7:6Ch, bit 31) is 1, then the host controller will issue an SMI.
14	<b>SMI on PCI Command Enable</b> — R/W. 0 = Disable. 1 = Enable. When this bit is 1 and SMI on PCI Command (D29:F7:6Ch, bit 30) is 1, then the host controller will issue an SMI.
13	<b>SMI on OS Ownership Enable</b> — R/W. 0 = Disable. 1 = Enable. When this bit is a 1 AND the OS Ownership Change bit (D29:F7:6Ch, bit 29) is 1, the host controller will issue an SMI.
12:6	Reserved — RO. Hardwired to 00h
5	<b>SMI on Async Advance Enable</b> — R/W. 0 = Disable. 1 = Enable. When this bit is a 1, and the SMI on Async Advance bit (D29:F7:6Ch, bit 21) is a 1, the host controller will issue an SMI immediately.
4	<b>SMI on Host System Error Enable</b> — R/W. 0 = Disable. 1 = Enable. When this bit is a 1, and the SMI on Host System Error (D29:F7:6Ch, bit 20) is a 1, the host controller will issue an SMI.
3	<b>SMI on Frame List Rollover Enable</b> — R/W. 0 = Disable. 1 = Enable. When this bit is a 1, and the SMI on Frame List Rollover bit (D29:F7:6Ch, bit 19) is a 1, the host controller will issue an SMI.
2	<b>SMI on Port Change Enable</b> — R/W. 0 = Disable. 1 = Enable. When this bit is a 1, and the SMI on Port Change Detect bit (D29:F7:6Ch, bit 18) is a 1, the host controller will issue an SMI.
1	<b>SMI on USB Error Enable</b> — R/W. 0 = Disable. 1 = Enable. When this bit is a 1, and the SMI on USB Error bit (D29:F7:6Ch, bit 17) is a 1, the host controller will issue an SMI immediately.
0	<b>SMI on USB Complete Enable</b> — R/W. 0 = Disable. 1 = Enable. When this bit is a 1, and the SMI on USB Complete bit (D29:F7:6Ch, bit 16) is a 1, the host controller will issue an SMI immediately.









## 13.2 Memory-Mapped I/O Registers

The EHCI memory-mapped I/O space is composed of two sets of registers: Capability Registers and Operational Registers.

**Note:** The ICH7 EHCI controller will not accept memory transactions (neither reads nor writes) as a target that are locked transactions. The locked transactions should not be forwarded to PCI as the address space is known to be allocated to USB.

**Note:** When the EHCI function is in the D3 PCI power state, accesses to the USB 2.0 memory range are ignored and result a master abort. Similarly, if the Memory Space Enable (MSE) bit (D29:F7:04h, bit 1) is not set in the Command register in configuration space, the memory range will not be decoded by the ICH7 enhanced host controller (EHC). If the MSE bit is not set, then the ICH7 must default to allowing any memory accesses for the range specified in the BAR to go to PCI. This is because the range may not be valid and, therefore, the cycle must be made available to any other targets that may be currently using that range.

### 13.2.1 Host Controller Capability Registers

These registers specify the limits, restrictions and capabilities of the host controller implementation. Within the host controller capability registers, only the structural parameters register is writable. These registers are implemented in the suspend well and is only reset by the standard suspend-well hardware reset, not by HCRESET or the D3-to-D0 reset.

**Table 13-2. Enhanced Host Controller Capability Registers**

MEM_BASE + Offset	Mnemonic	Register	Default	Type
00h	CAPLENGTH	Capabilities Registers Length	20h	RO
02h–03h	HCVERSION	Host Controller Interface Version Number	0100h	RO
04h–07h	HCCPARAMS	Host Controller Structural Parameters	00104208h	R/W (special), RO
08h–0Bh	HCCPARAMS	Host Controller Capability Parameters	00006871h	RO

**NOTE:** “Read/Write Special” means that the register is normally read-only, but may be written when the WRT\_RDONLY bit is set. Because these registers are expected to be programmed by BIOS during initialization, their contents must not get modified by HCRESET or D3-to-D0 internal reset.

#### 13.2.1.1 CAPLENGTH—Capability Registers Length Register

Offset: MEM\_BASE + 00h      Attribute: RO  
 Default Value: 20h      Size: 8 bits

Bit	Description
7:0	Capability Register Length Value — RO. This register is used as an offset to add to the Memory Base Register (D29:F7:10h) to find the beginning of the Operational Register Space. This field is hardwired to 20h indicating that the Operation Registers begin at offset 20h.



### 13.2.1.2 HCIVERSION—Host Controller Interface Version Number Register

Offset: MEM\_BASE + 02h–03h Attribute: RO  
 Default Value: 0100h Size: 16 bits

Bit	Description
15:0	Host Controller Interface Version Number — RO. This is a two-byte register containing a BCD encoding of the version number of interface that this host controller interface conforms.

### 13.2.1.3 HCSPARAMS—Host Controller Structural Parameters

Offset: MEM\_BASE + 04h–07h Attribute: R/W (special), RO  
 Default Value: 00104208h Size: 32 bits

**Note:** This register is reset by a suspend well reset and not a D3-to-D0 reset or HCRESET.

Bit	Description
31:24	Reserved — RO. Default=0h.
23:20	Debug Port Number (DP_N) — RO (special). Hardwired to 1h indicating that the Debug Port is on the lowest numbered port on the Intel® ICH7.
19:16	Reserved
15:12	<b>Number of Companion Controllers (N_CC)</b> — R/W (special). This field indicates the number of companion controllers associated with this USB EHCI host controller. A 0 in this field indicates there are no companion host controllers. Port-ownership hand-off is not supported. Only high-speed devices are supported on the host controller root ports. A value of 1 or more in this field indicates there are companion USB UHCI host controller(s). Port-ownership hand-offs are supported. High, Full- and Low-speed devices are supported on the host controller root ports. The ICH7 allows the default value of 4h to be over-written by BIOS. When removing classic controllers, they should be disabled in the following order: Function 3, Function 2, Function 1, and Function 0, which correspond to ports 7:6, 5:4, 3:2, and 1:0, respectively.
11:8	<b>Number of Ports per Companion Controller (N_PCC)</b> — RO. Hardwired to 2h. This field indicates the number of ports supported per companion host controller. It is used to indicate the port routing configuration to system software.
7:4	Reserved. These bits are reserved and default to 0.
3:0	<b>N_PORTS</b> — R/W (special). This field specifies the number of physical downstream ports implemented on this host controller. The value of this field determines how many port registers are addressable in the Operational Register Space. Valid values are in the range of 1h to Fh. The ICH7 reports 8h by default. However, software may write a value less than 8 for some platform configurations. A 0 in this field is undefined.

**NOTE:** This register is writable when the WRT\_RDONLY bit is set.



### 13.2.1.4 HCCPARAMS—Host Controller Capability Parameters Register

Offset: MEM\_BASE + 08h-0Bh Attribute: RO  
 Default Value: 00006871h Size: 32 bits

Bit	Description
31:16	Reserved
15:8	EHCI Extended Capabilities Pointer (EECP) — RO. This field is hardwired to 68h, indicating that the EHCI capabilities list exists and begins at offset 68h in the PCI configuration space.
7:4	<p>Isochronous Scheduling Threshold — RO. This field indicates, relative to the current position of the executing host controller, where software can reliably update the isochronous schedule. When bit 7 is 0, the value of the least significant 3 bits indicates the number of micro-frames a host controller hold a set of isochronous data structures (one or more) before flushing the state. When bit 7 is a 1, then host software assumes the host controller may cache an isochronous data structure for an entire frame. Refer to the EHCI specification for details on how software uses this information for scheduling isochronous transfers.</p> <p>This field is hardwired to 7h.</p>
3	Reserved. These bits are reserved and should be set to 0.
2	Asynchronous Schedule Park Capability — RO. This bit is hardwired to 0 indicating that the host controller does not support this optional feature
1	<p>Programmable Frame List Flag — RO.</p> <p>0 = System software must use a frame list length of 1024 elements with this host controller. The USB2.0_CMD register (D29:F7:CAPLENGTH + 20h, bits 3:2) <i>Frame List Size</i> field is a read-only register and must be set to 0.</p> <p>1 = System software can specify and use a smaller frame list and configure the host controller via the USB2.0_CMD register <i>Frame List Size</i> field. The frame list must always be aligned on a 4K page boundary. This requirement ensures that the frame list is always physically contiguous.</p>
0	<p>64-bit Addressing Capability — RO. This field documents the addressing range capability of this implementation. The value of this field determines whether software should use the 32-bit or 64-bit data structures. Values for this field have the following interpretation:</p> <p>0 = Data structures using 32-bit address memory pointers                      1 = Data structures using 64-bit address memory pointers</p> <p>This bit is hardwired to 1.</p> <p><b>NOTE:</b> Intel® ICH7 only implements 44 bits of addressing. Bits 63:44 will always be 0.</p>



### 13.2.2 Host Controller Operational Registers

This section defines the enhanced host controller operational registers. These registers are located after the capabilities registers. The operational register base must be DWord-aligned and is calculated by adding the value in the first capabilities register (CAPLENGTH) to the base address of the enhanced host controller register address space (MEM\_BASE). Since CAPLENGTH is always 20h, Table 13-3 already accounts for this offset. All registers are 32 bits in length.

**Table 13-3. Enhanced Host Controller Operational Register Address Map**

MEM_BASE + Offset	Mnemonic	Register Name	Default	Special Notes	Type
20h–23h	USB2.0_CMD	USB 2.0 Command	00080000h		R/W, RO
24h–27h	USB2.0_STS	USB 2.0 Status	00001000h		R/WC, RO
28h–2Bh	USB2.0_INTR	USB 2.0 Interrupt Enable	00000000h		R/W
2Ch–2Fh	FRINDEX	USB 2.0 Frame Index	00000000h		R/W,
30h–33h	CTRLDSSEGM ENT	Control Data Structure Segment	00000000h		R/W, RO
34h–37h	PERODICLIST BASE	Period Frame List Base Address	00000000h		R/W
38h–3Bh	ASYNCLISTADR	Current Asynchronous List Address	00000000h		R/W
3Ch–5Fh	—	Reserved	0h		RO
60h–63h	CONFIGFLAG	Configure Flag	00000000h	Suspend	R/W
64h–67h	PORT0SC	Port 0 Status and Control	00003000h	Suspend	R/W, R/WC, RO
68h–6Bh	PORT1SC	Port 1 Status and Control	00003000h	Suspend	R/W, R/WC, RO
6Ch–6Fh	PORT2SC	Port 2 Status and Control	00003000h	Suspend	R/W, R/WC, RO
70h–73h	PORT3SC	Port 3 Status and Control	00003000h	Suspend	R/W, R/WC, RO
74h–77h	PORT4SC	Port 4 Status and Control	00003000h	Suspend	R/W, R/WC, RO
78h–7Bh	PORT5SC	Port 5 Status and Control	00003000h	Suspend	R/W, R/WC, RO
7Ch–7Fh	PORT6SC	Port 6 Status and Control	00003000h	Suspend	R/W, R/WC, RO
80h–83h	PORT7SC	Port 7 Status and Control	00003000h	Suspend	R/W, R/WC, RO
84h–9Fh	—	Reserved	Undefined		RO
A0h–B3h	—	Debug Port Registers	Undefined		See register description
B4h–3FFh	—	Reserved	Undefined		RO

**Note:** Software must read and write these registers using only DWord accesses. These registers are divided into two sets. The first set at offsets MEM\_BASE + 00:3Bh are



implemented in the core power well. Unless otherwise noted, the core well registers are reset by the assertion of any of the following:

- Core well hardware reset
- HCRESET
- D3-to-D0 reset

The second set at offsets MEM\_BASE + 60h to the end of the implemented register space are implemented in the Suspend power well. Unless otherwise noted, the suspend well registers are reset by the assertion of either of the following:

- Suspend well hardware reset
- HCRESET

### 13.2.2.1 USB2.0\_CMD—USB 2.0 Command Register

Offset: MEM\_BASE + 20–23h      Attribute: R/W, RO  
 Default Value: 00080000h      Size: 32 bits

Bit	Description																		
31:24	Reserved. These bits are reserved and should be set to 0 when writing this register.																		
23:16	<p><b>Interrupt Threshold Control</b> — R/W. System software uses this field to select the maximum rate at which the host controller will issue interrupts. The only valid values are defined below. If software writes an invalid value to this register, the results are undefined.</p> <table border="1"> <thead> <tr> <th>Value</th> <th>Maximum Interrupt Interval</th> </tr> </thead> <tbody> <tr> <td>00h</td> <td>Reserved</td> </tr> <tr> <td>01h</td> <td>1 micro-frame</td> </tr> <tr> <td>02h</td> <td>2 micro-frames</td> </tr> <tr> <td>04h</td> <td>4 micro-frames</td> </tr> <tr> <td>08h</td> <td>8 micro-frames (default, equates to 1 ms)</td> </tr> <tr> <td>10h</td> <td>16 micro-frames (2 ms)</td> </tr> <tr> <td>20h</td> <td>32 micro-frames (4 ms)</td> </tr> <tr> <td>40h</td> <td>64 micro-frames (8 ms)</td> </tr> </tbody> </table>	Value	Maximum Interrupt Interval	00h	Reserved	01h	1 micro-frame	02h	2 micro-frames	04h	4 micro-frames	08h	8 micro-frames (default, equates to 1 ms)	10h	16 micro-frames (2 ms)	20h	32 micro-frames (4 ms)	40h	64 micro-frames (8 ms)
Value	Maximum Interrupt Interval																		
00h	Reserved																		
01h	1 micro-frame																		
02h	2 micro-frames																		
04h	4 micro-frames																		
08h	8 micro-frames (default, equates to 1 ms)																		
10h	16 micro-frames (2 ms)																		
20h	32 micro-frames (4 ms)																		
40h	64 micro-frames (8 ms)																		
15:8	Reserved. These bits are reserved and should be set to 0 when writing this register.																		
11:8	Unimplemented Asynchronous Park Mode Bits. Hardwired to 000b indicating the host controller does not support this optional feature.																		
7	Light Host Controller Reset — RO. Hardwired to 0. The Intel® ICH7 does not implement this optional reset.																		



Bit	Description
6	<p><b>Interrupt on Async Advance Doorbell</b> — R/W. This bit is used as a doorbell by software to tell the host controller to issue an interrupt the next time it advances asynchronous schedule.</p> <p>0 = The host controller sets this bit to a 0 after it has set the Interrupt on Async Advance status bit (D29:F7:CAPLENGTH + 24h, bit 5) in the USB2.0_STS register to a 1.</p> <p>1 = Software must write a 1 to this bit to ring the doorbell. When the host controller has evicted all appropriate cached schedule state, it sets the Interrupt on Async Advance status bit in the USB2.0_STS register. If the <i>Interrupt on Async Advance Enable</i> bit in the USB2.0_INTR register (D29:F7:CAPLENGTH + 28h, bit 5) is a 1 then the host controller will assert an interrupt at the next interrupt threshold. See the EHCI specification for operational details.</p> <p><b>NOTE:</b> Software should not write a 1 to this bit when the asynchronous schedule is inactive. Doing so will yield undefined results.</p>
5	<p><b>Asynchronous Schedule Enable</b> — R/W. Default 0b. This bit controls whether the host controller skips processing the Asynchronous Schedule.</p> <p>0 = Do not process the Asynchronous Schedule</p> <p>1 = Use the ASYNCLISTADDR register to access the Asynchronous Schedule.</p>
4	<p><b>Periodic Schedule Enable</b> — R/W. Default 0b. This bit controls whether the host controller skips processing the Periodic Schedule.</p> <p>0 = Do not process the Periodic Schedule</p> <p>1 = Use the PERIODICLISTBASE register to access the Periodic Schedule.</p>
3:2	<p><b>Frame List Size</b> — RO. The ICH7 hardwires this field to 00b because it only supports the 1024-element frame list size.</p>
1	<p><b>Host Controller Reset (HCRESET)</b> — R/W. This control bit used by software to reset the host controller. The effects of this on root hub registers are similar to a Chip Hardware Reset (i.e., RSMRST# assertion and PWROK deassertion on the ICH7).</p> <p>When software writes a 1 to this bit, the host controller resets its internal pipelines, timers, counters, state machines, etc. to their initial value. Any transaction currently in progress on USB is immediately terminated. A USB reset is not driven on downstream ports.</p> <p><b>NOTE:</b> PCI configuration registers and Host controller capability registers are not effected by this reset.</p> <p>All operational registers, including port registers and port state machines are set to their initial values. Port ownership reverts to the companion host controller(s), with the side effects described in the EHCI spec. Software must re-initialize the host controller in order to return the host controller to an operational state.</p> <p>This bit is set to 0 by the host controller when the reset process is complete. Software cannot terminate the reset process early by writing a 0 to this register.</p> <p>Software should not set this bit to a 1 when the HCHalted bit (D29:F7:CAPLENGTH + 24h, bit 12) in the USB2.0_STS register is a 0. Attempting to reset an actively running host controller will result in undefined behavior. This reset me be used to leave EHCI port test modes.</p>



Bit	Description															
0	<p><b>Run/Stop (RS)</b> — R/W.                      0 = Stop (default)                      1 = Run. When set to a 1, the Host controller proceeds with execution of the schedule. The Host controller continues execution as long as this bit is set. When this bit is set to 0, the Host controller completes the current transaction on the USB and then halts. The HCHalted bit in the USB2.0_STS register indicates when the Host controller has finished the transaction and has entered the stopped state.</p> <p>Software should not write a 1 to this field unless the host controller is in the Halted state (i.e., HCHalted in the USBSTS register is a 1). The Halted bit is cleared immediately when the Run bit is set.</p> <p>The following table explains how the different combinations of Run and Halted should be interpreted:</p> <table border="1" data-bbox="487 703 1112 892"> <thead> <tr> <th>Run/Stop</th> <th>Halted</th> <th>Interpretation</th> </tr> </thead> <tbody> <tr> <td>0b</td> <td>0b</td> <td>In the process of halting</td> </tr> <tr> <td>0b</td> <td>1b</td> <td>Halted</td> </tr> <tr> <td>1b</td> <td>0b</td> <td>Running</td> </tr> <tr> <td>1b</td> <td>1b</td> <td>Invalid - the HCHalted bit clears immediately</td> </tr> </tbody> </table> <p>Memory read cycles initiated by the EHC that receive any status other than Successful will result in this bit being cleared.</p>	Run/Stop	Halted	Interpretation	0b	0b	In the process of halting	0b	1b	Halted	1b	0b	Running	1b	1b	Invalid - the HCHalted bit clears immediately
Run/Stop	Halted	Interpretation														
0b	0b	In the process of halting														
0b	1b	Halted														
1b	0b	Running														
1b	1b	Invalid - the HCHalted bit clears immediately														

**NOTE:** The Command Register indicates the command to be executed by the serial bus host controller. Writing to the register causes a command to be executed.



### 13.2.2.2 USB2.0\_STS—USB 2.0 Status Register

Offset: MEM\_BASE + 24h–27h Attribute: R/WC, RO  
 Default Value: 00001000h Size: 32 bits

This register indicates pending interrupts and various states of the Host controller. The status resulting from a transaction on the serial bus is not indicated in this register. See the Interrupts description in section 4 of the EHCI specification for additional information concerning USB 2.0 interrupt conditions.

**Note:** For the writable bits, software must write a 1 to clear bits that are set. Writing a 0 has no effect.

Bit	Description
31:16	Reserved. These bits are reserved and should be set to 0 when writing this register.
15	<p><b>Asynchronous Schedule Status</b> — RO. This bit reports the current real status of the Asynchronous Schedule.</p> <p>0 = Status of the Asynchronous Schedule is disabled. (Default)            1 = Status of the Asynchronous Schedule is enabled.</p> <p><b>NOTE:</b> The Host controller is not required to <i>immediately</i> disable or enable the Asynchronous Schedule when software transitions the <i>Asynchronous Schedule Enable</i> bit (D29:F7:CAPLENGTH + 20h, bit 5) in the USB2.0_CMD register. When this bit and the <i>Asynchronous Schedule Enable</i> bit are the same value, the Asynchronous Schedule is either enabled (1) or disabled (0).</p>
14	<p><b>Periodic Schedule Status</b> — RO. This bit reports the current real status of the Periodic Schedule.</p> <p>0 = Status of the Periodic Schedule is disabled. (Default)            1 = Status of the Periodic Schedule is enabled.</p> <p><b>NOTE:</b> The Host controller is not required to <i>immediately</i> disable or enable the Periodic Schedule when software transitions the <i>Periodic Schedule Enable</i> bit (D29:F7:CAPLENGTH + 20h, bit 4) in the USB2.0_CMD register. When this bit and the <i>Periodic Schedule Enable</i> bit are the same value, the Periodic Schedule is either enabled (1) or disabled (0).</p>
13	<p><b>Reclamation</b> — RO. 0=Default. This read-only status bit is used to detect an empty asynchronous schedule. The operational model and valid transitions for this bit are described in Section 4 of the EHCI Specification.</p>
12	<p><b>HCHalted</b> — RO.</p> <p>0 = This bit is a 0 when the Run/Stop bit is a 1.            1 = The Host controller sets this bit to 1 after it has stopped executing as a result of the Run/Stop bit being set to 0, either by software or by the Host controller hardware (e.g., internal error). (Default)</p>
11:6	Reserved
5	<p><b>Interrupt on Async Advance</b> — R/WC. 0=Default. System software can force the host controller to issue an interrupt the next time the host controller advances the asynchronous schedule by writing a 1 to the <i>Interrupt on Async Advance Doorbell</i> bit (D29:F7:CAPLENGTH + 20h, bit 6) in the USB2.0_CMD register. This bit indicates the assertion of that interrupt source.</p>





Bit	Description
4	<p><b>Host System Error</b> — R/WC.</p> <p>0 = No serious error occurred during a host system access involving the Host controller module</p> <p>1 = The Host controller sets this bit to 1 when a serious error occurs during a host system access involving the Host controller module. A hardware interrupt is generated to the system. Memory read cycles initiated by the EHC that receive any status other than Successful will result in this bit being set.</p> <p>When this error occurs, the Host controller clears the Run/Stop bit in the USB2.0_CMDregister (D29:F7:CAPLENGTH + 20h, bit 0) to prevent further execution of the scheduled TDs. A hardware interrupt is generated to the system (if enabled in the Interrupt Enable Register).</p>
3	<p><b>Frame List Rollover</b> — R/WC.</p> <p>0 = No <i>Frame List Index</i> rollover from its maximum value to 0.</p> <p>1 = The Host controller sets this bit to a 1 when the <i>Frame List Index</i> (see Section) rolls over from its maximum value to 0. Since the Intel® ICH7 only supports the 1024-entry Frame List Size, the <i>Frame List Index</i> rolls over every time FRNUM13 toggles.</p>
2	<p><b>Port Change Detect</b> — R/WC. This bit is allowed to be maintained in the Auxiliary power well. Alternatively, it is also acceptable that on a D3 to D0 transition of the EHCI HC device, this bit is loaded with the OR of all of the PORTSC change bits (including: Force port resume, overcurrent change, enable/disable change and connect status change). Regardless of the implementation, when this bit is readable (i.e., in the D0 state), it must provide a valid view of the Port Status registers.</p> <p>0 = No change bit transition from a 0 to 1 or No Force Port Resume bit transition from 0 to 1 as a result of a J-K transition detected on a suspended port.</p> <p>1 = The Host controller sets this bit to 1 when any port for which the <i>Port Owner</i> bit is set to 0 has a change bit transition from a 0 to 1 or a Force Port Resume bit transition from 0 to 1 as a result of a J-K transition detected on a suspended port.</p>
1	<p><b>USB Error Interrupt (USBERRINT)</b> — R/WC.</p> <p>0 = No error condition.</p> <p>1 = The Host controller sets this bit to 1 when completion of a USB transaction results in an error condition (e.g., error counter underflow). If the TD on which the error interrupt occurred also had its IOC bit set, both this bit and Bit 0 are set. See the EHCI specification for a list of the USB errors that will result in this interrupt being asserted.</p>
0	<p><b>USB Interrupt (USBINT)</b> — R/WC.</p> <p>0 = No completion of a USB transaction whose Transfer Descriptor had its IOC bit set. No short packet is detected.</p> <p>1 = The Host controller sets this bit to 1 when the cause of an interrupt is a completion of a USB transaction whose Transfer Descriptor had its IOC bit set. The Host controller also sets this bit to 1 when a short packet is detected (actual number of bytes received was less than the expected number of bytes).</p>



### 13.2.2.3 USB2.0\_INTR—USB 2.0 Interrupt Enable Register

Offset: MEM\_BASE + 28h–2Bh Attribute: R/W  
 Default Value: 00000000h Size: 32 bits

This register enables and disables reporting of the corresponding interrupt to the software. When a bit is set and the corresponding interrupt is active, an interrupt is generated to the host. Interrupt sources that are disabled in this register still appear in the USB2.0\_STS Register to allow the software to poll for events. Each interrupt enable bit description indicates whether it is dependent on the interrupt threshold mechanism (see Section 4 of the EHCI specification), or not.

Bit	Description
31:6	Reserved. These bits are reserved and should be 0 when writing this register.
5	<b>Interrupt on Async Advance Enable</b> — R/W. 0 = Disable. 1 = Enable. When this bit is a 1, and the Interrupt on Async Advance bit (D29:F7:CAPLENGTH + 24h, bit 5) in the USB2.0_STS register is a 1, the host controller will issue an interrupt at the next interrupt threshold. The interrupt is acknowledged by software clearing the Interrupt on Async Advance bit.
4	<b>Host System Error Enable</b> — R/W. 0 = Disable. 1 = Enable. When this bit is a 1, and the Host System Error Status bit (D29:F7:CAPLENGTH + 24h, bit 4) in the USB2.0_STS register is a 1, the host controller will issue an interrupt. The interrupt is acknowledged by software clearing the Host System Error bit.
3	<b>Frame List Rollover Enable</b> — R/W. 0 = Disable. 1 = Enable. When this bit is a 1, and the Frame List Rollover bit (D29:F7:CAPLENGTH + 24h, bit 3) in the USB2.0_STS register is a 1, the host controller will issue an interrupt. The interrupt is acknowledged by software clearing the Frame List Rollover bit.
2	<b>Port Change Interrupt Enable</b> — R/W. 0 = Disable. 1 = Enable. When this bit is a 1, and the Port Change Detect bit (D29:F7:CAPLENGTH + 24h, bit 2) in the USB2.0_STS register is a 1, the host controller will issue an interrupt. The interrupt is acknowledged by software clearing the Port Change Detect bit.
1	<b>USB Error Interrupt Enable</b> — R/W. 0 = Disable. 1 = Enable. When this bit is a 1, and the USBERRINT bit (D29:F7:CAPLENGTH + 24h, bit 1) in the USB2.0_STS register is a 1, the host controller will issue an interrupt at the next interrupt threshold. The interrupt is acknowledged by software by clearing the USBERRINT bit in the USB2.0_STS register.
0	<b>USB Interrupt Enable</b> — R/W. 0 = Disable. 1 = Enable. When this bit is a 1, and the USBINT bit (D29:F7:CAPLENGTH + 24h, bit 0) in the USB2.0_STS register is a 1, the host controller will issue an interrupt at the next interrupt threshold. The interrupt is acknowledged by software by clearing the USBINT bit in the USB2.0_STS register.



### 13.2.2.4 FRINDEX—Frame Index Register

Offset: MEM\_BASE + 2Ch–2Fh Attribute: R/W  
 Default Value: 00000000h Size: 32 bits

The SOF frame number value for the bus SOF token is derived or alternatively managed from this register. Refer to Section 4 of the EHCI specification for a detailed explanation of the SOF value management requirements on the host controller. The value of FRINDEX must be within 125  $\mu$ s (1 micro-frame) ahead of the SOF token value. The SOF value may be implemented as an 11-bit shadow register. For this discussion, this shadow register is 11 bits and is named SOFV. SOFV updates every 8 micro-frames. (1 millisecond). An example implementation to achieve this behavior is to increment SOFV each time the FRINDEX[2:0] increments from 0 to 1.

Software must use the value of FRINDEX to derive the current micro-frame number, both for high-speed isochronous scheduling purposes and to provide the **get** micro-frame number function required to client drivers. Therefore, the value of FRINDEX and the value of SOFV must be kept consistent if chip is reset or software writes to FRINDEX. Writes to FRINDEX must also **write-through** FRINDEX[13:3] to SOFV[10:0]. In order to keep the update as simple as possible, software should not write a FRINDEX value where the three least significant bits are 111b or 000b.

**Note:** This register is used by the host controller to index into the periodic frame list. The register updates every 125 microseconds (once each micro-frame). Bits [12:3] are used to select a particular entry in the Periodic Frame List during periodic schedule execution. The number of bits used for the index is fixed at 10 for the ICH7 since it only supports 1024-entry frame lists. This register must be written as a DWord. Word and byte writes produce undefined results. This register cannot be written unless the Host controller is in the Halted state as indicated by the *HCHalted* bit (D29:F7:CAPLENGTH + 24h, bit 12). A write to this register while the Run/Stop bit (D29:F7:CAPLENGTH + 20h, bit 0) is set to a 1 (USB2.0\_CMD register) produces undefined results. Writes to this register also effect the SOF value. See Section 4 of the EHCI specification for details.

Bit	Description
31:14	Reserved
13:0	<b>Frame List Current Index/Frame Number</b> — R/W. The value in this register increments at the end of each time frame (e.g., micro-frame). Bits [12:3] are used for the Frame List current index. This means that each location of the frame list is accessed 8 times (frames or micro-frames) before moving to the next index.



### 13.2.2.5 CTRLDSSEGMENT—Control Data Structure Segment Register

Offset: MEM\_BASE + 30h–33h Attribute: R/W, RO  
Default Value: 00000000h Size: 32 bits

This 32-bit register corresponds to the most significant address bits [63:32] for all EHCI data structures. Since the ICH7 hardwires the 64-bit Addressing Capability field in HCCPARAMS to 1, then this register is used with the link pointers to construct 64-bit addresses to EHCI control data structures. This register is concatenated with the link pointer from either the PERIODICLISTBASE, ASYNCLISTADDR, or any control data structure link field to construct a 64-bit address. This register allows the host software to locate all control data structures within the same 4 GB memory segment.

Bit	Description
31:12	Upper Address[63:44] — RO. Hardwired to 0s. The Intel® ICH7 EHC is only capable of generating addresses up to 16 terabytes (44 bits of address).
11:0	Upper Address[43:32] — R/W. This 12-bit field corresponds to address bits 43:32 when forming a control data structure address.

### 13.2.2.6 PERIODICLISTBASE—Periodic Frame List Base Address Register

Offset: MEM\_BASE + 34h–37h Attribute: R/W  
Default Value: 00000000h Size: 32 bits

This 32-bit register contains the beginning address of the Periodic Frame List in the system memory. Since the ICH7 host controller operates in 64-bit mode (as indicated by the 1 in the 64-bit Addressing Capability field in the HCCSPARAMS register) (offset 08h, bit 0), then the most significant 32 bits of every control data structure address comes from the CTRLDSSEGMENT register. HCD loads this register prior to starting the schedule execution by the host controller. The memory structure referenced by this physical memory pointer is assumed to be 4-Kbyte aligned. The contents of this register are combined with the Frame Index Register (FRINDEX) to enable the Host controller to step through the Periodic Frame List in sequence.

Bit	Description
31:12	<b>Base Address (Low)</b> — R/W. These bits correspond to memory address signals [31:12], respectively.
11:0	Reserved. Must be written as 0s. During runtime, the value of these bits are undefined.



### 13.2.2.7 ASYNCLISTADDR—Current Asynchronous List Address Register

Offset: MEM\_BASE + 38h–3Bh Attribute: R/W  
 Default Value: 00000000h Size: 32 bits

This 32-bit register contains the address of the next asynchronous queue head to be executed. Since the ICH7 host controller operates in 64-bit mode (as indicated by a 1 in 64-bit Addressing Capability field in the HCCPARAMS register) (offset 08h, bit 0), then the most significant 32 bits of every control data structure address comes from the CTRLDSSEGMENT register (offset 08h). Bits [4:0] of this register cannot be modified by system software and will always return 0's when read. The memory structure referenced by this physical memory pointer is assumed to be 32-byte aligned.

Bit	Description
31:5	<b>Link Pointer Low (LPL)</b> — R/W. These bits correspond to memory address signals [31:5], respectively. This field may only reference a Queue Head (QH).
4:0	Reserved. These bits are reserved and their value has no effect on operation.

### 13.2.2.8 CONFIGFLAG—Configure Flag Register

Offset: MEM\_BASE + 60h–63h Attribute: R/W  
 Default Value: 00000000h Size: 32 bits

This register is in the suspend power well. It is only reset by hardware when the suspend power is initially applied or in response to a host controller reset.

Bit	Description
31:1	Reserved. Read from this field will always return 0.
0	<b>Configure Flag (CF)</b> — R/W. Host software sets this bit as the last action in its process of configuring the Host controller. This bit controls the default port-routing control logic. Bit values and side-effects are listed below. See section 4 of the EHCI spec for operation details. 0 = Port routing control logic default-routes each port to the classic host controllers (default). 1 = Port routing control logic default-routes all ports to this host controller.

### 13.2.2.9 PORTSC—Port N Status and Control Register

Offset: Port 0: MEM\_BASE + 64h–67h  
 Port 1: MEM\_BASE + 68–6Bh  
 Port 2: MEM\_BASE + 6C–6Fh  
 Port 3: MEM\_BASE + 70–73h  
 Port 4: MEM\_BASE + 74–77h  
 Port 5: MEM\_BASE + 78–7Bh  
 Port 6: MEM\_BASE + 7C–7Fh  
 Port 7: MEM\_BASE + 80–83h  
 Attribute: R/W, R/WC, RO  
 Default Value: 00003000h Size: 32 bits

A host controller must implement one or more port registers. Software uses the N\_Port information from the Structural Parameters Register to determine how many ports need to be serviced. All ports have the structure defined below. Software must not write to unreported Port Status and Control Registers.



This register is in the suspend power well. It is only reset by hardware when the suspend power is initially applied or in response to a host controller reset. The initial conditions of a port are:

- No device connected
- Port disabled.

When a device is attached, the port state transitions to the attached state and system software will process this as with any status change notification. Refer to Section 4 of the EHCI specification for operational requirements for how change events interact with port suspend mode.

Bit	Description														
31:23	Reserved. These bits are reserved for future use and will return a value of 0's when read.														
22	<b>Wake on Overcurrent Enable (WKOC_E)</b> — R/W. 0 = Disable. (Default) 1 = Enable. Writing this bit to a 1 enables the setting of the PME Status bit in the Power Management Control/Status Register (offset 54, bit 15) when the overcurrent Active bit (bit 4 of this register) is set.														
21	<b>Wake on Disconnect Enable (WKDSCNNT_E)</b> — R/W. 0 = Disable. (Default) 1 = Enable. Writing this bit to a 1 enables the setting of the PME Status bit in the Power Management Control/Status Register (offset 54, bit 15) when the Current Connect Status changes from connected to disconnected (i.e., bit 0 of this register changes from 1 to 0).														
20	<b>Wake on Connect Enable (WKCNTNT_E)</b> — R/W. 0 = Disable. (Default) 1 = Enable. Writing this bit to a 1 enables the setting of the PME Status bit in the Power Management Control/Status Register (offset 54, bit 15) when the Current Connect Status changes from disconnected to connected (i.e., bit 0 of this register changes from 0 to 1).														
19:16	<b>Port Test Control</b> — R/W. When this field is 0's, the port is NOT operating in a test mode. A non-zero value indicates that it is operating in test mode and the specific test mode is indicated by the specific value. The encoding of the test mode bits are (0110b – 1111b are reserved):  <table border="1"> <thead> <tr> <th>Value</th> <th>Maximum Interrupt Interval</th> </tr> </thead> <tbody> <tr> <td>0000b</td> <td>Test mode not enabled (default)</td> </tr> <tr> <td>0001b</td> <td>Test J_STATE</td> </tr> <tr> <td>0010b</td> <td>Test K_STATE</td> </tr> <tr> <td>0011b</td> <td>Test SE0_NAK</td> </tr> <tr> <td>0100b</td> <td>Test Packet</td> </tr> <tr> <td>0101b</td> <td>FORCE_ENABLE</td> </tr> </tbody> </table> Refer to USB Specification Revision 2.0, Chapter 7 for details on each test mode.	Value	Maximum Interrupt Interval	0000b	Test mode not enabled (default)	0001b	Test J_STATE	0010b	Test K_STATE	0011b	Test SE0_NAK	0100b	Test Packet	0101b	FORCE_ENABLE
Value	Maximum Interrupt Interval														
0000b	Test mode not enabled (default)														
0001b	Test J_STATE														
0010b	Test K_STATE														
0011b	Test SE0_NAK														
0100b	Test Packet														
0101b	FORCE_ENABLE														
15:14	Reserved — R/W. Should be written to =00b.														
13	<b>Port Owner</b> — R/W. Default = 1b. This bit unconditionally goes to a 0 when the Configured Flag bit in the USB2.0_CMD register makes a 0 to 1 transition. System software uses this field to release ownership of the port to a selected host controller (in the event that the attached device is not a high-speed device). Software writes a 1 to this bit when the attached device is not a high-speed device. A 1 in this bit means that a companion host controller owns and controls the port. See Section 4 of the EHCI Specification for operational details.														



Bit	Description												
12	<b>Port Power (PP)</b> — RO. Read-only with a value of 1. This indicates that the port does have power.												
11:10	<p><b>Line Status</b>— RO. These bits reflect the current logical levels of the D+ (bit 11) and D– (bit 10) signal lines. These bits are used for detection of low-speed USB devices prior to the port reset and enable sequence. This field is valid only when the port enable bit is 0 and the current connect status bit is set to a 1.</p> <p>00 = SE0                      10 = J-state                      01 = K-state                      11 = Undefined</p>												
9	Reserved. This bit will return a 0 when read.												
8	<p><b>Port Reset</b> — R/W. Default = 0. When software writes a 1 to this bit (from a 0), the bus reset sequence as defined in the USB Specification, Revision 2.0 is started. Software writes a 0 to this bit to terminate the bus reset sequence. Software must keep this bit at a 1 long enough to ensure the reset sequence completes as specified in the USB Specification, Revision 2.0.</p> <p>1 = Port is in Reset.                      0 = Port is not in Reset.</p> <p><b>NOTE:</b> When software writes a 0 to this bit, there may be a delay before the bit status changes to a 0. The bit status will not read as a 0 until after the reset has completed. If the port is in high-speed mode after reset is complete, the host controller will automatically enable this port (e.g., set the <i>Port Enable</i> bit to a 1). A host controller must terminate the reset and stabilize the state of the port within 2 milliseconds of software transitioning this bit from 0 to 1.</p> <p>For example: if the port detects that the attached device is high-speed during reset, then the host controller must have the port in the enabled state within 2 ms of software writing this bit to a 0. The <i>HCHalted</i> bit (D29:F7:CAPLENGTH + 24h, bit 12) in the USB2.0_STS register should be a 0 before software attempts to use this bit. The host controller may hold Port Reset asserted to a 1 when the <i>HCHalted</i> bit is a 1. This bit is 0 if Port Power is 0</p> <p><b>NOTE:</b> System software should not attempt to reset a port if the <i>HCHalted</i> bit in the USB2.0_STS register is a 1. Doing so will result in undefined behavior.</p>												
7	<p><b>Suspend</b> — R/W.</p> <p>0 = Port not in suspend state. (Default)                      1 = Port in suspend state.</p> <p>Port Enabled Bit and Suspend bit of this register define the port states as follows:</p> <table border="1" data-bbox="516 1444 1019 1570"> <thead> <tr> <th>Port Enabled</th> <th>Suspend</th> <th>Port State</th> </tr> </thead> <tbody> <tr> <td>0</td> <td>X</td> <td>Disabled</td> </tr> <tr> <td>1</td> <td>0</td> <td>Enabled</td> </tr> <tr> <td>1</td> <td>1</td> <td>Suspend</td> </tr> </tbody> </table> <p>When in suspend state, downstream propagation of data is blocked on this port, except for port reset. Note that the bit status does not change until the port is suspended and that there may be a delay in suspending a port depending on the activity on the port. The host controller will unconditionally set this bit to a 0 when software sets the <i>Force Port Resume</i> bit to a 0 (from a 1). A write of 0 to this bit is ignored by the host controller.</p> <p>If host software sets this bit to a 1 when the port is not enabled (i.e., Port enabled bit is a 0) the results are undefined.</p>	Port Enabled	Suspend	Port State	0	X	Disabled	1	0	Enabled	1	1	Suspend
Port Enabled	Suspend	Port State											
0	X	Disabled											
1	0	Enabled											
1	1	Suspend											



Bit	Description
6	<p><b>Force Port Resume</b> — R/W.</p> <p>0 = No resume (K-state) detected/driven on port. (Default)            1 = Resume detected/driven on port. Software sets this bit to a 1 to drive resume signaling. The Host controller sets this bit to a 1 if a J-to-K transition is detected while the port is in the Suspend state. When this bit transitions to a 1 because a J-to-K transition is detected, the Port Change Detect bit (D29:F7:CAPLENGTH + 24h, bit 2) in the USB2.0_STS register is also set to a 1. If software sets this bit to a 1, the host controller must not set the Port Change Detect bit.</p> <p><b>NOTE:</b> When the EHCI controller owns the port, the resume sequence follows the defined sequence documented in the USB Specification, Revision 2.0. The resume signaling (Full-speed 'K') is driven on the port as long as this bit remains a 1. Software must appropriately time the Resume and set this bit to a 0 when the appropriate amount of time has elapsed. Writing a 0 (from 1) causes the port to return to high-speed mode (forcing the bus below the port into a high-speed idle). This bit will remain a 1 until the port has switched to the high-speed idle.</p>
5	<p><b>Overcurrent Change</b> — R/WC. The functionality of this bit is not dependent upon the port owner. Software clears this bit by writing a 1 to it.</p> <p>0 = No change. (Default)            1 = There is a change to Overcurrent Active.</p>
4	<p>Overcurrent Active — RO.</p> <p>0 = This port does not have an overcurrent condition. (Default)            1 = This port currently has an overcurrent condition. This bit will automatically transition from 1 to 0 when the over current condition is removed. The Intel® ICH7 automatically disables the port when the overcurrent active bit is 1.</p>
3	<p><b>Port Enable/Disable Change</b> — R/WC. For the root hub, this bit gets set to a 1 only when a port is disabled due to the appropriate conditions existing at the EOF2 point (See Chapter 11 of the USB Specification for the definition of a port error). This bit is not set due to the Disabled-to-Enabled transition, nor due to a disconnect. Software clears this bit by writing a 1 to it.</p> <p>0 = No change in status. (Default).            1 = Port enabled/disabled status has changed.</p>
2	<p><b>Port Enabled/Disabled</b> — R/W. Ports can only be enabled by the host controller as a part of the reset and enable. Software cannot enable a port by writing a 1 to this bit. Ports can be disabled by either a fault condition (disconnect event or other fault condition) or by host software. Note that the bit status does not change until the port state actually changes. There may be a delay in disabling or enabling a port due to other host controller and bus events.</p> <p>0 = Disable            1 = Enable (Default)</p>
1	<p><b>Connect Status Change</b> — R/WC. This bit indicates a change has occurred in the port's Current Connect Status. Software sets this bit to 0 by writing a 1 to it.</p> <p>0 = No change (Default).            1 = Change in Current Connect Status. The host controller sets this bit for all changes to the port device connect status, even if system software has not cleared an existing connect status change. For example, the insertion status changes twice before system software has cleared the changed condition, hub hardware will be "setting" an already-set bit (i.e., the bit will remain set).</p>
0	<p><b>Current Connect Status</b> — RO. This value reflects the current state of the port, and may not correspond directly to the event that caused the Connect Status Change bit (Bit 1) to be set.</p> <p>0 = No device is present. (Default)            1 = Device is present on port.</p>





### 13.2.3 USB 2.0-Based Debug Port Register

The Debug port's registers are located in the same memory area, defined by the Base Address Register (MEM\_BASE), as the standard EHCI registers. The base offset for the debug port registers (A0h) is declared in the Debug Port Base Offset Capability Register at Configuration offset 5Ah (D29:F7:offset 5Ah). The specific EHCI port that supports this debug capability (port 0) is indicated by a 4-bit field (bits 20–23) in the HCSPARAMS register of the EHCI controller. The address map of the Debug Port registers is shown in Table 13-4.

Table 13-4. Debug Port Register Address Map

MEM_BASE + Offset	Mnemonic	Register Name	Default	Type
A0–A3h	CNTL_STS	Control/Status	00000000h	R/W, R/WC, RO, WO
A4–A7h	USBPID	USB PIDs	00000000h	R/W, RO
A8–ABh	DATABUF[3:0]	Data Buffer (Bytes 3:0)	00000000h	R/W
AC–AFh	DATABUF[7:4]	Data Buffer (Bytes 7:4)	00000000h	R/W
B0–B3h	CONFIG	Configuration	00007F01h	R/W

**NOTES:**

1. All of these registers are implemented in the core well and reset by PLTRST#, EHC HCRESET, and a EHC D3-to-D0 transition.
2. The hardware associated with this register provides no checks to ensure that software programs the interface correctly. How the hardware behaves when programmed inappropriately is undefined.

#### 13.2.3.1 CNTL\_STS—Control/Status Register

Offset: MEM\_BASE + A0h      Attribute: R/W, R/WC, RO, WO  
 Default Value: 0000h      Size: 32 bits

Bit	Description
31	Reserved
30	<b>OWNER_CNT</b> — R/W. 0 = Ownership of the debug port is NOT forced to the EHCI controller (Default) 1 = Ownership of the debug port is forced to the EHCI controller (i.e. immediately taken away from the companion Classic USB Host controller) If the port was already owned by the EHCI controller, then setting this bit has no effect. This bit overrides all of the ownership-related bits in the standard EHCI registers.
29	Reserved
28	<b>ENABLED_CNT</b> — R/W. 0 = Software can clear this by writing a 0 to it. The hardware clears this bit for the same conditions where the Port Enable/Disable Change bit (in the PORTSC register) is set. (Default) 1 = Debug port is enabled for operation. Software can directly set this bit if the port is already enabled in the associated PORTSC register (this is enforced by the hardware).
27:17	Reserved



Bit	Description
16	<b>DONE_STS</b> — R/WC. Software can clear this by writing a 1 to it. 0 = Request Not complete 1 = Set by hardware to indicate that the request is complete.
15:12	<b>LINK_ID_STS</b> — RO. This field identifies the link interface. 0h = Hardwired. Indicates that it is a USB Debug Port.
11	Reserved. This bit returns 0 when read. Writes have no effect.
10	<b>IN_USE_CNT</b> — R/W. Set by software to indicate that the port is in use. Cleared by software to indicate that the port is free and may be used by other software. This bit is cleared after reset. (This bit has no effect on hardware.)
9:7	<b>EXCEPTION_STS</b> — RO. This field indicates the exception when the ERROR_GOOD#_STS bit is set. This field should be ignored if the ERROR_GOOD#_STS bit is 0. 000 = No Error. (Default) Note: this should not be seen, since this field should only be checked if there is an error. 001 = Transaction error: indicates the USB 2.0 transaction had an error (CRC, bad PID, timeout, etc.) 010 = Hardware error. Request was attempted (or in progress) when port was suspended or reset. All Other combinations are reserved
6	<b>ERROR_GOOD#_STS</b> — RO. 0 = Hardware clears this bit to 0 after the proper completion of a read or write. (Default) 1 = Error has occurred. Details on the nature of the error are provided in the Exception field.
5	<b>GO_CNT</b> — WO. 0 = Hardware clears this bit when hardware sets the DONE_STS bit. (Default) 1 = Causes hardware to perform a read or write request.  <b>NOTE:</b> Writing a 1 to this bit when it is already set may result in undefined behavior.
4	<b>WRITE_READ#_CNT</b> — R/W. Software clears this bit to indicate that the current request is a read. Software sets this bit to indicate that the current request is a write. 0 = Read (Default) 1 = Write



Bit	Description
16	<b>DONE_STS</b> — R/WC. Software can clear this by writing a 1 to it. 0 = Request Not complete 1 = Set by hardware to indicate that the request is complete.
15:12	<b>LINK_ID_STS</b> — RO. This field identifies the link interface. 0h = Hardwired. Indicates that it is a USB Debug Port.
11	Reserved. This bit returns 0 when read. Writes have no effect.
10	<b>IN_USE_CNT</b> — R/W. Set by software to indicate that the port is in use. Cleared by software to indicate that the port is free and may be used by other software. This bit is cleared after reset. (This bit has no effect on hardware.)
9:7	<b>EXCEPTION_STS</b> — RO. This field indicates the exception when the ERROR_GOOD#_STS bit is set. This field should be ignored if the ERROR_GOOD#_STS bit is 0. 000 = No Error. (Default) Note: this should not be seen, since this field should only be checked if there is an error. 001 = Transaction error: indicates the USB 2.0 transaction had an error (CRC, bad PID, timeout, etc.) 010 = Hardware error. Request was attempted (or in progress) when port was suspended or reset. All Other combinations are reserved
6	<b>ERROR_GOOD#_STS</b> — RO. 0 = Hardware clears this bit to 0 after the proper completion of a read or write. (Default) 1 = Error has occurred. Details on the nature of the error are provided in the Exception field.
5	<b>GO_CNT</b> — WO. 0 = Hardware clears this bit when hardware sets the DONE_STS bit. (Default) 1 = Causes hardware to perform a read or write request.  <b>NOTE:</b> Writing a 1 to this bit when it is already set may result in undefined behavior.
4	<b>WRITE_READ#_CNT</b> — R/W. Software clears this bit to indicate that the current request is a read. Software sets this bit to indicate that the current request is a write. 0 = Read (Default) 1 = Write



Bit	Description
3:0	<p><b>DATA_LEN_CNT</b> — R/W. This field is used to indicate the size of the data to be transferred. default = 0h.</p> <p>For write operations, this field is set by software to indicate to the hardware how many bytes of data in Data Buffer are to be transferred to the console. A value of 0h indicates that a zero-length packet should be sent. A value of 1–8 indicates 1–8 bytes are to be transferred. Values 9–Fh are invalid and how hardware behaves if used is undefined.</p> <p>For read operations, this field is set by hardware to indicate to software how many bytes in Data Buffer are valid in response to a read operation. A value of 0h indicates that a zero length packet was returned and the state of Data Buffer is not defined. A value of 1–8 indicates 1–8 bytes were received. Hardware is not allowed to return values 9–Fh.</p> <p>The transferring of data always starts with byte 0 in the data area and moves toward byte 7 until the transfer size is reached.</p>

**NOTES:**

1. Software should do Read-Modify-Write operations to this register to preserve the contents of bits not being modified. This include Reserved bits.
2. To preserve the usage of RESERVED bits in the future, software should always write the same value read from the bit until it is defined. Reserved bits will always return 0 when read.

### 13.2.3.2 USBPID—USB PIDs Register

Offset: MEM\_BASE + A4h                      Attribute: R/W, RO  
 Default Value: 0000h                      Size: 32 bits

This DWord register is used to communicate PID information between the USB debug driver and the USB debug port. The debug port uses some of these fields to generate USB packets, and uses other fields to return PID information to the USB debug driver.

Bit	Description
31:24	Reserved: These bits will return 0 when read. Writes will have no effect.
23:16	<b>RECEIVED_PID_STS[23:16]</b> — RO. Hardware updates this field with the received PID for transactions in either direction. When the controller is writing data, this field is updated with the handshake PID that is received from the device. When the host controller is reading data, this field is updated with the data packet PID (if the device sent data), or the handshake PID (if the device NAKs the request). This field is valid when the hardware clears the GO_DONE#_CNT bit.
15:8	<b>SEND_PID_CNT[15:8]</b> — R/W. Hardware sends this PID to begin the data packet when sending data to USB (i.e., WRITE_READ#_CNT is asserted). Software typically sets this field to either DATA0 or DATA1 PID values.
7:0	<b>TOKEN_PID_CNT[7:0]</b> — R/W. Hardware sends this PID as the Token PID for each USB transaction. Software typically sets this field to either IN, OUT, or SETUP PID values.



### 13.2.3.3 DATABUF[7:0]—Data Buffer Bytes[7:0] Register

Offset: MEM\_BASE + A8h–AFh Attribute: R/W  
 Default Value: 0000000000000000h Size: 64 bits

This register can be accessed as 8 separate 8-bit registers or 2 separate 32-bit register.

Bit	Description
63:0	<p><b>DATABUFFER[63:0]</b> — R/W. This field is the 8 bytes of the data buffer. Bits 7:0 correspond to least significant byte (byte 0). Bits 63:56 correspond to the most significant byte (byte 7).</p> <p>The bytes in the Data Buffer must be written with data before software initiates a write request. For a read request, the Data Buffer contains valid data when DONE_STS bit (offset A0, bit 16) is cleared by the hardware, ERROR_GOOD#_STS (offset A0, bit 6) is cleared by the hardware, and the DATA_LENGTH_CNT field (offset A0, bits 3:0) indicates the number of bytes that are valid.</p>

### 13.2.3.4 CONFIG—Configuration Register

Offset: MEM\_BASE + B0–B3h Attribute: R/W  
 Default Value: 00007F01h Size: 32 bits

Bit	Description
31:15	Reserved
14:8	<p><b>USB_ADDRESS_CNF</b> — R/W. This 7-bit field identifies the USB device address used by the controller for all Token PID generation. (Default = 7Fh)</p>
7:4	Reserved
3:0	<p><b>USB_ENDPOINT_CNF</b> — R/W. This 4-bit field identifies the endpoint used by the controller for all Token PID generation. (Default = 01h)</p>

§





# 14 SMBus Controller Registers (D31:F3)

## 14.1 PCI Configuration Registers (SMBUS—D31:F3)

Table 14-1. SMBus Controller PCI Register Address Map (SMBUS—D31:F3)

Offset	Mnemonic	Register Name	Default	Type
00h–01h	VID	Vendor Identification	8086	RO
02h–03h	DID	Device Identification	See register description.	RO
04h–05h	PCICMD	PCI Command	0000h	R/W, RO
06h–07h	PCISTS	PCI Status	0280h	RO, R/WC
08h	RID	Revision Identification	See register description.	RO
09h	PI	Programming Interface	00h	RO
0Ah	SCC	Sub Class Code	05h	RO
0Bh	BCC	Base Class Code	0Ch	RO
20h–23h	SMB_BASE	SMBus Base Address	00000001h	R/W, RO
2Ch–2Dh	SVID	Subsystem Vendor Identification	00h	RO
2Eh–2Fh	SID	Subsystem Identification	00h	R/WO
3Ch	INT_LN	Interrupt Line	00h	R/W
3Dh	INT_PN	Interrupt Pin	See description	RO
40h	HOSTC	Host Configuration	00h	R/W

**NOTE:** Registers that are not shown should be treated as Reserved (See Section 6.2 for details).

### 14.1.1 VID—Vendor Identification Register (SMBUS—D31:F3)

Address: 00h–01h                      Attribute: RO  
 Default Value: 8086h                      Size: 16 bits

Bit	Description
15:0	Vendor ID — RO. This is a 16-bit value assigned to Intel



### 14.1.2 DID—Device Identification Register (SMBUS—D31:F3)

Address: 02h–03h                      Attribute: RO  
 Default Value: See bit description                      Size: 16 bits

Bit	Description
15:0	Device ID — RO. This is a 16-bit value assigned to the Intel® ICH7 SMBus controller. Refer to the Intel® I/O Controller Hub 7 (ICH7) Family Specification Update for the value of the Device ID Register.

### 14.1.3 PCICMD—PCI Command Register (SMBUS—D31:F3)

Address: 04h–05h                      Attributes: RO, R/W  
 Default Value: 0000h                      Size: 16 bits

Bit	Description
15:11	Reserved
10	<b>Interrupt Disable</b> — R/W. 0 = Enable 1 = Disables SMBus to assert its PIRQB# signal.
9	Fast Back to Back Enable (FBE) — RO. Hardwired to 0.
8	<b>SERR# Enable (SERR_EN)</b> — R/W. 0 = Enables SERR# generation. 1 = Disables SERR# generation.
7	Wait Cycle Control (WCC) — RO. Hardwired to 0.
6	<b>Parity Error Response (PER)</b> — R/W. 0 = Disable 1 = Sets Detected Parity Error bit (D31:F3:06, bit 15) when a parity error is detected.
5	VGA Palette Snoop (VPS) — RO. Hardwired to 0.
4	Postable Memory Write Enable (PMWE) — RO. Hardwired to 0.
3	Special Cycle Enable (SCE) — RO. Hardwired to 0.
2	Bus Master Enable (BME) — RO. Hardwired to 0.
1	Memory Space Enable (MSE) — RO. Hardwired to 0.
0	<b>I/O Space Enable (IOSE)</b> — R/W. 0 = Disable 1 = Enables access to the SM Bus I/O space registers as defined by the Base Address Register.









### 14.1.10 SVID — Subsystem Vendor Identification Register (SMBUS—D31:F2/F4)

Address Offset: 2Ch–2Dh                      Attribute: RO  
 Default Value: 0000h                      Size: 16 bits  
 Lockable: No                                  Power Well: Core

Bit	Description
15:0	Subsystem Vendor ID (SVID) — RO. The SVID register, in combination with the Subsystem ID (SID) register, enables the operating system (OS) to distinguish subsystems from each other. The value returned by reads to this register is the same as that which was written by BIOS into the IDE SVID register.  <b>NOTE:</b> Software can write to this register only once per core well reset. Writes should be done as a single 16-bit cycle.

### 14.1.11 SID — Subsystem Identification Register (SMBUS—D31:F2/F4)

Address Offset: 2Eh–2Fh                      Attribute: R/WO  
 Default Value: 00h                              Size: 16 bits  
 Lockable: No                                  Power Well: Core

Bit	Description
15:0	Subsystem ID (SID) — RO. The SID register, in combination with the SVID register, enables the operating system (OS) to distinguish subsystems from each other. The value returned by reads to this register is the same as that which was written by BIOS into the IDE SID register.  <b>NOTE:</b> Software can write to this register only once per core well reset. Writes should be done as a single 16-bit cycle.

### 14.1.12 INT\_LN—Interrupt Line Register (SMBUS—D31:F3)

Address Offset: 3Ch                              Attributes: R/W  
 Default Value: 00h                              Size: 8 bits

Bit	Description
7:0	<b>Interrupt Line (INT_LN)</b> — R/W. This data is not used by the Intel® ICH7. It is to communicate to software the interrupt line that the interrupt pin is connected to PIRQB#.

### 14.1.13 INT\_PN—Interrupt Pin Register (SMBUS—D31:F3)

Address Offset: 3Dh                              Attributes: RO  
 Default Value: See description              Size: 8 bits

Bit	Description
7:0	Interrupt PIN (INT_PN) — RO. This reflects the value of D31IP.SMIP in chipset configuration space.





Table 14-2. SMBus I/O Register Address Map

SMB_BASE + Offset	Mnemonic	Register Name	Default	Type
0Fh	SMBUS_PIN_CTL	SMBus Pin Control	See register description	R/W, RO
10h	SLV_STS	Slave Status	00h	R/WC
11h	SLV_CMD	Slave Command	00h	R/W
14h	NOTIFY_DADDR	Notify Device Address	00h	RO
16h	NOTIFY_DLOW	Notify Data Low Byte	00h	RO
17h	NOTIFY_DHIGH	Notify Data High Byte	00h	RO

### 14.2.1 HST\_STS—Host Status Register (SMBUS—D31:F3)

Register Offset: SMBASE + 00h      Attribute: R/WC, R/WC (special), RO  
 Default Value: 00h      Size: 8-bits

All status bits are set by hardware and cleared by the software writing a one to the particular bit position. Writing a 0 to any bit position has no effect.

Bit	Description
7	<p><b>Byte Done Status (DS)</b> — R/WC.            0 = Software can clear this by writing a 1 to it.            1 = Host controller received a byte (for Block Read commands) or if it has completed transmission of a byte (for Block Write commands) when the 32-byte buffer is not being used. Note that this bit will be set, even on the last byte of the transfer. This bit is not set when transmission is due to the LAN interface heartbeat.            This bit has no meaning for block transfers when the 32-byte buffer is enabled.</p> <p><b>NOTE:</b> When the last byte of a block message is received, the host controller will set this bit. However, it will not immediately set the INTR bit (bit 1 in this register). When the interrupt handler clears the DS bit, the message is considered complete, and the host controller will then set the INTR bit (and generate another interrupt). Thus, for a block message of n bytes, the Intel® ICH7 will generate n+1 interrupts. The interrupt handler needs to be implemented to handle these cases.</p>
6	<p><b>INUSE_STS</b> — R/WC (special). This bit is used as semaphore among various independent software threads that may need to use the ICH7's SMBus logic, and has no other effect on hardware.            0 = After a full PCI reset, a read to this bit returns a 0.            1 = After the first read, subsequent reads will return a 1. A write of a 1 to this bit will reset the next read value to 0. Writing a 0 to this bit has no effect. Software can poll this bit until it reads a 0, and will then own the usage of the host controller.</p>
5	<p><b>SMBALERT_STS</b> — R/WC.            0 = Interrupt or SMI# was not generated by SMBALERT#. Software clears this bit by writing a 1 to it.            1 = The source of the interrupt or SMI# was the SMBALERT# signal. This bit is only cleared by software writing a 1 to the bit position or by RSMRST# going low.            If the signal is programmed as a GPIO, then this bit will not be set.</p>



Bit	Description
4	<p><b>FAILED</b> — R/WC.</p> <p>0 = Software clears this bit by writing a 1 to it.</p> <p>1 = The source of the interrupt or SMI# was a failed bus transaction. This bit is set in response to the KILL bit being set to terminate the host transaction.</p>
3	<p><b>BUS_ERR</b> — R/WC.</p> <p>0 = Software clears this bit by writing a 1 to it.</p> <p>1 = The source of the interrupt of SMI# was a transaction collision.</p>
2	<p><b>DEV_ERR</b> — R/WC.</p> <p>0 = Software clears this bit by writing a 1 to it. The ICH7 will then deassert the interrupt or SMI#.</p> <p>1 = The source of the interrupt or SMI# was due to one of the following:</p> <ul style="list-style-type: none"> <li>• Invalid Command Field,</li> <li>• Unclaimed Cycle (host initiated),</li> <li>• Host Device Time-out Error.</li> </ul>
1	<p><b>INTR</b> — R/WC (special). This bit can only be set by termination of a command. INTR is not dependent on the INTREN bit (offset SMBASE + 02h, bit 0) of the Host controller register (offset 02h). It is only dependent on the termination of the command. If the INTREN bit is not set, then the INTR bit will be set, although the interrupt will not be generated. Software can poll the INTR bit in this non-interrupt case.</p> <p>0 = Software clears this bit by writing a 1 to it. The ICH7 then deasserts the interrupt or SMI#.</p> <p>1 = The source of the interrupt or SMI# was the successful completion of its last command.</p>
0	<p><b>HOST_BUSY</b> — RO.</p> <p>0 = Cleared by the ICH7 when the current transaction is completed.</p> <p>1 = Indicates that the ICH7 is running a command from the host interface. No SMB registers should be accessed while this bit is set, except the BLOCK DATA BYTE Register. The BLOCK DATA BYTE Register can be accessed when this bit is set only when the SMB_CMD bits in the Host Control Register are programmed for Block command or I<sup>2</sup>C Read command. This is necessary in order to check the DONE_STS bit.</p>



## 14.2.2 HST\_CNT—Host Control Register (SMBUS—D31:F3)

Register Offset: SMBASE + 02h                      Attribute:                      R/W, WO  
 Default Value: 00h                                      Size:                                8-bits

**Note:** A read to this register will clear the byte pointer of the 32-byte buffer.

Bit	Description
7	<p><b>PEC_EN</b> — R/W.</p> <p>0 = SMBus host controller does not perform the transaction with the PEC phase appended.</p> <p>1 = Causes the host controller to perform the SMBus transaction with the Packet Error Checking phase appended. For writes, the value of the PEC byte is transferred from the PEC Register. For reads, the PEC byte is loaded in to the PEC Register. This bit must be written prior to the write in which the <b>START</b> bit is set.</p>
6	<p><b>START</b> — WO.</p> <p>0 = This bit will always return 0 on reads. The HOST_BUSY bit in the Host Status register (offset 00h) can be used to identify when the Intel® ICH7 has finished the command.</p> <p>1 = Writing a 1 to this bit initiates the command described in the SMB_CMD field. All registers should be setup prior to writing a 1 to this bit position.</p>
5	<p><b>LAST_BYTE</b> — WO. This bit is used for Block Read commands.</p> <p>1 = Software sets this bit to indicate that the next byte will be the last byte to be received for the block. This causes the ICH7 to send a NACK (instead of an ACK) after receiving the last byte.</p> <p><b>NOTE:</b> Once the SECOND_TO_STS bit in TCO2_STS register (D31:F0, TCOBASE+6h, bit 1) is set, the LAST_BYTE bit also gets set. While the SECOND_TO_STS bit is set, the LAST_BYTE bit cannot be cleared. This prevents the ICH7 from running some of the SMBus commands (Block Read/Write, I<sup>2</sup>C Read, Block I<sup>2</sup>C Write).</p>



Bit	Description
4:2	<p><b>SMB_CMD</b> — R/W. The bit encoding below indicates which command the ICH7 is to perform. If enabled, the ICH7 will generate an interrupt or SMI# when the command has completed. If the value is for a non-supported or reserved command, the ICH7 will set the device error (DEV_ERR) status bit (offset SMBASE + 00h, bit 2) and generate an interrupt when the START bit is set. The ICH7 will perform no command, and will not operate until DEV_ERR is cleared.</p> <p>000 = <b>Quick</b>: The slave address and read/write value (bit 0) are stored in the transmit slave address register.</p> <p>001 = <b>Byte</b>: This command uses the transmit slave address and command registers. Bit 0 of the slave address register determines if this is a read or write command.</p> <p>010 = <b>Byte Data</b>: This command uses the transmit slave address, command, and DATA0 registers. Bit 0 of the slave address register determines if this is a read or write command. If it is a read, the DATA0 register will contain the read data.</p> <p>011 = <b>Word Data</b>: This command uses the transmit slave address, command, DATA0 and DATA1 registers. Bit 0 of the slave address register determines if this is a read or write command. If it is a read, after the command completes, the DATA0 and DATA1 registers will contain the read data.</p> <p>100 = <b>Process Call</b>: This command uses the transmit slave address, command, DATA0 and DATA1 registers. Bit 0 of the slave address register determines if this is a read or write command. After the command completes, the DATA0 and DATA1 registers will contain the read data.</p> <p>101 = <b>Block</b>: This command uses the transmit slave address, command, DATA0 registers, and the Block Data Byte register. For block write, the count is stored in the DATA0 register and indicates how many bytes of data will be transferred. For block reads, the count is received and stored in the DATA0 register. Bit 0 of the slave address register selects if this is a read or write command. For writes, data is retrieved from the first n (where n is equal to the specified count) addresses of the SRAM array. For reads, the data is stored in the Block Data Byte register.</p> <p>110 = <b>I<sup>2</sup>C Read</b>: This command uses the transmit slave address, command, DATA0, DATA1 registers, and the Block Data Byte register. The read data is stored in the Block Data Byte register. The ICH7 continues reading data until the NAK is received.</p> <p><b>111 = Block Process</b>: This command uses the transmit slave address, command, DATA0 and the Block Data Byte register. For block write, the count is stored in the DATA0 register and indicates how many bytes of data will be transferred. For block read, the count is received and stored in the DATA0 register. Bit 0 of the slave address register always indicate a write command. For writes, data is retrieved from the first m (where m is equal to the specified count) addresses of the SRAM array. For reads, the data is stored in the Block Data Byte register.</p> <p><b>NOTE</b>: E32B bit in the Auxiliary Control register must be set for this command to work.</p>
1	<p><b>KILL</b> — R/W.</p> <p>0 = Normal SMBus host controller functionality.</p> <p>1 = Kills the current host transaction taking place, sets the FAILED status bit, and asserts the interrupt (or SMI#). This bit, once set, must be cleared by software to allow the SMBus host controller to function normally.</p>
0	<p><b>INTREN</b> — R/W.</p> <p>0 = Disable.</p> <p>1 = Enable the generation of an interrupt or SMI# upon the completion of the command.</p>





### 14.2.3 HST\_CMD—Host Command Register (SMBUS—D31:F3)

Register Offset: SMBASE + 03h      Attribute: R/W  
 Default Value: 00h      Size: 8 bits

Bit	Description
7:0	This 8-bit field is transmitted by the host controller in the command field of the SMBus protocol during the execution of any command.

### 14.2.4 XMIT\_SLVA—Transmit Slave Address Register (SMBUS—D31:F3)

Register Offset: SMBASE + 04h      Attribute: R/W  
 Default Value: 00h      Size: 8 bits

This register is transmitted by the host controller in the slave address field of the SMBus protocol.

Bit	Description
7:1	<b>Address</b> — R/W. This field provides a 7-bit address of the targeted slave.
0	<b>RW</b> — R/W. Direction of the host transfer. 0 = Write 1 = Read

### 14.2.5 HST\_D0—Host Data 0 Register (SMBUS—D31:F3)

Register Offset: SMBASE + 05h      Attribute: R/W  
 Default Value: 00h      Size: 8 bits

Bit	Description
7:0	<b>Data0/Count</b> — R/W. This field contains the 8-bit data sent in the DATA0 field of the SMBus protocol. For block write commands, this register reflects the number of bytes to transfer. This register should be programmed to a value between 1 and 32 for block counts. A count of 0 or a count above 32 will result in unpredictable behavior. The host controller does not check or log invalid block counts.

### 14.2.6 HST\_D1—Host Data 1 Register (SMBUS—D31:F3)

Register Offset: SMBASE + 06h      Attribute: R/W  
 Default Value: 00h      Size: 8 bits

Bit	Description
7:0	<b>Data1</b> — R/W. This 8-bit register is transmitted in the DATA1 field of the SMBus protocol during the execution of any command.



### 14.2.7 Host\_BLOCK\_DB—Host Block Data Byte Register (SMBUS—D31:F3)

Register Offset: SMBASE + 07h                      Attribute:                      R/W  
 Default Value: 00h                                      Size:                              8 bits

Bit	Description
7:0	<p><b>Block Data (BDTA)</b> — R/W. This is either a register, or a pointer into a 32-byte block array, depending upon whether the E32B bit is set in the Auxiliary Control register. When the E32B bit (offset SMBASE + 0Dh, bit 1) is cleared, this is a register containing a byte of data to be sent on a block write or read from on a block read, just as it behaved on the ICH3.</p> <p>When the E32B bit is set, reads and writes to this register are used to access the 32-byte block data storage array. An internal index pointer is used to address the array, which is reset to 0 by reading the HCTL register (offset 02h). The index pointer then increments automatically upon each access to this register. The transfer of block data into (read) or out of (write) this storage array during an SMBus transaction always starts at index address 0.</p> <p>When the E2B bit is set, for writes, software will write up to 32-bytes to this register as part of the setup for the command. After the Host controller has sent the Address, Command, and Byte Count fields, it will send the bytes in the SRAM pointed to by this register.</p> <p>When the E2B bit is cleared for writes, software will place a single byte in this register. After the host controller has sent the address, command, and byte count fields, it will send the byte in this register. If there is more data to send, software will write the next series of bytes to the SRAM pointed to by this register and clear the DONE_STS bit. The controller will then send the next byte. During the time between the last byte being transmitted to the next byte being transmitted, the controller will insert wait-states on the interface.</p> <p>When the E2B bit is set for reads, after receiving the byte count into the Data0 register, the first series of data bytes go into the SRAM pointed to by this register. If the byte count has been exhausted or the 32-byte SRAM has been filled, the controller will generate an SMI# or interrupt (depending on configuration) and set the DONE_STS bit. Software will then read the data. During the time between when the last byte is read from the SRAM to when the DONE_STS bit is cleared, the controller will insert wait-states on the interface.</p>

### 14.2.8 PEC—Packet Error Check (PEC) Register (SMBUS—D31:F3)

Register Offset: SMBASE + 08h                      Attribute:                      R/W  
 Default Value: 00h                                      Size:                              8 bits

Bit	Description
7:0	<p><b>PEC_DATA</b> — R/W. This 8-bit register is written with the 8-bit CRC value that is used as the SMBus PEC data prior to a write transaction. For read transactions, the PEC data is loaded from the SMBus into this register and is then read by software. Software must ensure that the INUSE_STS bit is properly maintained to avoid having this field overwritten by a write transaction following a read transaction.</p>



### 14.2.9 RCV\_SLVA—Receive Slave Address Register (SMBUS—D31:F3)

Register Offset: SMBASE + 09h      Attribute: R/W  
 Default Value: 44h      Size: 8 bits  
 Lockable: No      Power Well: Resume

Bit	Description
7	Reserved
6:0	<b>SLAVE_ADDR</b> — R/W. This field is the slave address that the Intel® ICH7 decodes for read and write cycles. the default is not 0, so the SMBus Slave Interface can respond even before the processor comes up (or if the processor is dead). This register is cleared by RSMRST#, but not by PLTRST#.

### 14.2.10 SLV\_DATA—Receive Slave Data Register (SMBUS—D31:F3)

Register Offset: SMBASE + 0Ah–0Bh      Attribute: RO  
 Default Value: 0000h      Size: 16 bits  
 Lockable: No      Power Well: Resume

This register contains the 16-bit data value written by the external SMBus master. The processor can then read the value from this register. This register is reset by RSMRST#, but not PLTRST#.

Bit	Description
15:8	<b>Data Message Byte 1 (DATA_MSG1)</b> — RO. See <a href="#">Section 5.21.7</a> for a discussion of this field.
7:0	<b>Data Message Byte 0 (DATA_MSG0)</b> — RO. See <a href="#">Section 5.21.7</a> for a discussion of this field.

### 14.2.11 AUX\_STS—Auxiliary Status Register (SMBUS—D31:F3)

Register Offset: SMBASE + 0Ch      Attribute: R/WC, RO  
 Default Value: 00h      Size: 8 bits  
 Lockable: No      Power Well: Resume

Bit	Description
7:2	Reserved
1	<b>SMBus TCO Mode (STCO)</b> — RO. This bit reflects the strap setting of TCO compatible mode vs. Advanced TCO mode. 0 = Intel® ICH7 is in the compatible TCO mode. 1 = ICH7 is in the advanced TCO mode.
0	<b>CRC Error (CRCE)</b> — R/WC. 0 = Software clears this bit by writing a 1 to it. 1 = This bit is set if a received message contained a CRC error. When this bit is set, the DERR bit of the host status register will also be set. This bit will be set by the controller if a software abort occurs in the middle of the CRC portion of the cycle or an abort happens after the ICH7 has received the final data bit transmitted by an external slave.



### 14.2.12 AUX\_CTL—Auxiliary Control Register (SMBUS—D31:F3)

Register Offset: SMBASE + 0Dh                      Attribute: R/W  
 Default Value: 00h                                      Size: 8 bits  
 Lockable: No    Power Well: Resume

Bit	Description
7:2	Reserved
1	<b>Enable 32-Byte Buffer (E32B)</b> — R/W. 0 = Disable. 1 = Enable. When set, the Host Block Data register is a pointer into a 32-byte buffer, as opposed to a single register. This enables the block commands to transfer or receive up to 32-bytes before the Intel® ICH7 generates an interrupt.
0	<b>Automatically Append CRC (AAC)</b> — R/W. 0 = ICH7 will Not automatically append the CRC. 1 = The ICH7 will automatically append the CRC. This bit must not be changed during SMBus transactions or undetermined behavior will result. It should be programmed only once during the lifetime of the function.

### 14.2.13 SMLINK\_PIN\_CTL—SMLink Pin Control Register (SMBUS—D31:F3)

Register Offset: SMBASE + 0Eh                      Attribute: R/W, RO  
 Default Value: See below                              Size: 8 bits

**Note:** This register is in the resume well and is reset by RSMRST#. This register is only applicable in the TCO compatible mode.

Bit	Description
7:3	Reserved
2	<b>SMLINK_CLK_CTL</b> — R/W. 0 = Intel® ICH7 will drive the SMLINK0 pin low, independent of what the other SMLINK logic would otherwise indicate for the SMLINK0 pin. 1 = The SMLINK0 pin is <b>not</b> overdriven low. The other SMLINK logic controls the state of the pin. (Default)
1	<b>SMLINK1_CUR_STS</b> — RO. This read-only bit has a default value that is dependent on an external signal level. This pin returns the value on the SMLINK1 pin. This allows software to read the current state of the pin. 0 = Low 1 = High
0	<b>SMLINK0_CUR_STS</b> — RO. This read-only bit has a default value that is dependent on an external signal level. This pin returns the value on the SMLINK0 pin. This allows software to read the current state of the pin. 0 = Low 1 = High



### 14.2.14 SMBUS\_PIN\_CTL—SMBUS Pin Control Register (SMBUS—D31:F3)

Register Offset: SMBASE + 0Fh                      Attribute:                      R/W, RO  
 Default Value:    See below                              Size:                              8 bits

**Note:** This register is in the resume well and is reset by RSMRST#.

Bit	Description
7:3	Reserved
2	<b>SMBCLK_CTL</b> — R/W. 1 = The SMBCLK pin is <b>not</b> overdriven low. The other SMBus logic controls the state of the pin. 0 = Intel® ICH7 drives the SMBCLK pin low, independent of what the other SMB logic would otherwise indicate for the SMBCLK pin. (Default)
1	<b>SMBDATA_CUR_STS</b> — RO. This read-only bit has a default value that is dependent on an external signal level. This pin returns the value on the SMBDATA pin. This allows software to read the current state of the pin. 0 = Low 1 = High
0	<b>SMBCLK_CUR_STS</b> — RO. This read-only bit has a default value that is dependent on an external signal level. This pin returns the value on the SMBCLK pin. This allows software to read the current state of the pin. 0 = Low 1 = High

### 14.2.15 SLV\_STS—Slave Status Register (SMBUS—D31:F3)

Register Offset: SMBASE + 10h                      Attribute:                      R/WC  
 Default Value:    00h    Size:                              8 bits

**Note:** This register is in the resume well and is reset by RSMRST#.

All bits in this register are implemented in the 64 kHz clock domain. Therefore, software must poll this register until a write takes effect before assuming that a write has completed internally.

Bit	Description
7:1	Reserved
0	<b>HOST_NOTIFY_STS</b> — R/WC. The Intel® ICH7 sets this bit to a 1 when it has completely received a successful Host Notify Command on the SMLink pins. Software reads this bit to determine that the source of the interrupt or SMI# was the reception of the Host Notify Command. Software clears this bit after reading any information needed from the Notify address and data registers by writing a 1 to this bit. Note that the ICH7 will allow the Notify Address and Data registers to be over-written once this bit has been cleared. When this bit is 1, the ICH7 will NACK the first byte (host address) of any new "Host Notify" commands on the SMLink. Writing a 0 to this bit has no effect.



### 14.2.16 SLV\_CMD—Slave Command Register (SMBUS—D31:F3)

Register Offset: SMBASE + 11h                      Attribute:                      R/W  
 Default Value: 00h                                      Size:                              8 bits

**Note:** This register is in the resume well and is reset by RSMRST#.

Bit	Description
7:2	Reserved
2	<b>SMBALERT_DIS</b> — R/W. 0 = Allows the generation of the interrupt or SMI#. 1 = Software sets this bit to block the generation of the interrupt or SMI# due to the SMBALERT# source. This bit is logically inverted and ANDed with the SMBALERT_STS bit (offset SMBASE + 00h, bit 5). The resulting signal is distributed to the SMI# and/or interrupt generation logic. This bit does not effect the wake logic.
1	<b>HOST_NOTIFY_WKEN</b> — R/W. Software sets this bit to 1 to enable the reception of a Host Notify command as a wake event. When enabled this event is “OR”ed in with the other SMBus wake events and is reflected in the SMB_WAK_STS bit of the General Purpose Event 0 Status register. 0 = Disable 1 = Enable
0	<b>HOST_NOTIFY_INTREN</b> — R/W. Software sets this bit to 1 to enable the generation of interrupt or SMI# when HOST_NOTIFY_STS (offset SMBASE + 10h, bit 0) is 1. This enable does not affect the setting of the HOST_NOTIFY_STS bit. When the interrupt is generated, either PIRQB# or SMI# is generated, depending on the value of the SMB_SMI_EN bit (D31:F3:40h, bit 1). If the HOST_NOTIFY_STS bit is set when this bit is written to a 1, then the interrupt (or SMI#) will be generated. The interrupt (or SMI#) is logically generated by AND’ing the STS and INTREN bits. 0 = Disable 1 = Enable

### 14.2.17 NOTIFY\_DADDR—Notify Device Address Register (SMBUS—D31:F3)

Register Offset: SMBASE + 14h                      Attribute:                      RO  
 Default Value: 00h                                      Size:                              8 bits

**Note:** This register is in the resume well and is reset by RSMRST#.

Bit	Description
7:1	<b>DEVICE_ADDRESS</b> — RO. This field contains the 7-bit device address received during the Host Notify protocol of the SMBus 2.0 Specification. Software should only consider this field valid when the HOST_NOTIFY_STS bit (D31:F3:SMBASE + 10, bit 0) is set to 1.
0	Reserved



### 14.2.18 NOTIFY\_DLOW—Notify Data Low Byte Register (SMBUS—D31:F3)

Register Offset: SMBASE + 16h                      Attribute:                      RO  
 Default Value:    00h                                      Size:                              8 bits

**Note:** This register is in the resume well and is reset by RSMRST#.

Bit	Description
7:0	<b>DATA_LOW_BYTE</b> — RO. This field contains the first (low) byte of data received during the Host Notify protocol of the SMBus 2.0 specification. Software should only consider this field valid when the HOST_NOTIFY_STS bit (D31:F3:SMBASE +10, bit 0) is set to 1.

### 14.2.19 NOTIFY\_DHIGH—Notify Data High Byte Register (SMBUS—D31:F3)

Register Offset: SMBASE + 17h                      Attribute:                      RO  
 Default Value:    00h                                      Size:                              8 bits

**Note:** This register is in the resume well and is reset by RSMRST#.

Bit	Description
7:0	<b>DATA_HIGH_BYTE</b> — RO. This field contains the second (high) byte of data received during the Host Notify protocol of the SMBus 2.0 specification. Software should only consider this field valid when the HOST_NOTIFY_STS bit (D31:F3:SMBASE +10, bit 0) is set to 1.

§







# 15 IDE Controller Registers (D31:F1)

## 15.1 PCI Configuration Registers (IDE—D31:F1)

**Note:** Address locations that are not shown should be treated as Reserved (See Section 6.2 for details).

All of the IDE registers are in the core well. None of the registers can be locked.

**Table 15-1. IDE Controller PCI Register Address Map (IDE-D31:F1)**

Offset	Mnemonic	Register Name	Default	Type
00h–01h	VID	Vendor Identification	8086h	RO
02h–03h	DID	Device Identification	See register description.	RO
04h–05h	PCICMD	PCI Command	00h	R/W, RO
06h–07h	PCISTS	PCI Status	0280h	R/W, RO
08h	RID	Revision Identification	See register description.	RO
09h	PI	Programming Interface	8Ah	R/W, RO
0Ah	SCC	Sub Class Code	01h	RO
0Bh	BCC	Base Class Code	01h	RO
0Ch	CLS	Cache Line Size	00h	RO
0Dh	PMLT	Primary Master Latency Timer	00h	RO
10h–13h	PCMD_BAR	Primary Command Block Base Address	00000001h	R/W, RO
14h–17h	PCNL_BAR	Primary Control Block Base Address	00000001h	R/W, RO
18h–1Bh	SCMD_BAR	Secondary Command Block Base Address	00000001h	R/W, RO
1Ch–1Fh	SCNL_BAR	Secondary Control Block Base Address	00000001h	R/W, RO
20h–23h	BM_BASE	Bus Master Base Address	00000001h	R/W, RO
2Ch–2Dh	IDE_SVID	Subsystem Vendor ID	00h	R/WO
2Eh–2Fh	IDE_SID	Subsystem ID	0000h	R/WO
3C	INTR_LN	Interrupt Line	00h	R/W
3D	INTR_PN	Interrupt Pin	See register description.	RO
40h–41h	IDE_TIMP	Primary IDE Timing	0000h	R/W
42h–43h	IDE_TIMS	Secondary IDE Timing	0000h	R/W
44h	SLV_IDETIM	Slave IDE Timing	00h	R/W
48h	SDMA_CNT	Synchronous DMA Control	00h	R/W
4Ah–4Bh	SDMA_TIM	Synchronous DMA Timing	0000h	R/W
54h	IDE_CONFIG	IDE I/O Configuration	00000000h	R/W
C0h	ATC	APM Trapping Control	00h	R/W
C4h	ATS	APM Trapping Status	00h	R/WC

**NOTE:** The ICH7 IDE controller is not arbitrated as a PCI device; therefore, it does not need a master latency timer.



### 15.1.1 VID—Vendor Identification Register (IDE—D31:F1)

Offset Address:	00h–01h	Attribute:	RO
Default Value:	8086h	Size:	16-bit
Lockable:	No	Power Well:	Core

Bit	Description
15:0	Vendor ID — RO. This is a 16-bit value assigned to Intel. Intel VID = 8086h

### 15.1.2 DID—Device Identification Register (IDE—D31:F1)

Offset Address:	02h–03h	Attribute:	RO
Default Value:	See bit description	Size:	16-bit
Lockable:	No	Power Well:	Core

Bit	Description
15:0	Device ID — RO. This is a 16-bit value assigned to the Intel® ICH7 IDE controller. Refer to the <i>Intel® I/O Controller Hub 7 (ICH7) Family Specification Update</i> for the value of the Device ID Register.

### 15.1.3 PCICMD—PCI Command Register (IDE—D31:F1)

Address Offset:	04h–05h	Attribute:	RO, R/W
Default Value:	00h	Size:	16 bits

Bit	Description
15:11	Reserved
10	<b>Interrupt Disable (ID)</b> — R/W. 0 = Enables the IDE controller to assert INTA# (native mode) or IRQ14/15 (legacy mode). 1 = Disable. The interrupt will be deasserted.
9	Fast Back to Back Enable (FBE) — RO. Reserved as 0.
8	SERR# Enable (SERR_EN) — RO. Reserved as 0.
7	Wait Cycle Control (WCC) — RO. Reserved as 0.
6	Parity Error Response (PER) — RO. Reserved as 0.
5	VGA Palette Snoop (VPS) — RO. Reserved as 0.
4	Postable Memory Write Enable (PMWE) — RO. Reserved as 0.
3	Special Cycle Enable (SCE) — RO. Reserved as 0.
2	<b>Bus Master Enable (BME)</b> — R/W. Controls the ICH7's ability to act as a PCI master for IDE Bus Master transfers.
1	<b>Memory Space Enable (MSE)</b> — R/O. This controller does not contain a memory space.
0	<b>I/O Space Enable (IOSE)</b> — RO.









### 15.1.13 SCMD\_BAR—Secondary Command Block Base Address Register (IDE D31:F1)

Address Offset: 18h–1Bh                      Attribute: R/W, RO  
Default Value: 00000001h                      Size: 32 bits

Bit	Description
31:16	Reserved
15:3	<b>Base Address</b> — R/W. Base address of the I/O space (8 consecutive I/O locations). If this register is programmed, the programmed value must not be less than 100h.
2:1	Reserved
0	Resource Type Indicator (RTE) — RO. Hardwired to 1 indicating a request for I/O space.

**NOTE:** This 4-byte I/O space is used in native mode for the Secondary Controller's Command Block.

### 15.1.14 SCNL\_BAR—Secondary Control Block Base Address Register (IDE D31:F1)

Address Offset: 1Ch–1Fh                      Attribute: R/W, RO  
Default Value: 00000001h                      Size: 32 bits

Bit	Description
31:16	Reserved
15:2	<b>Base Address</b> — R/W. Base address of the I/O space (4 consecutive I/O locations). If this register is programmed, the programmed value must not be less than 100h.
1	Reserved
0	Resource Type Indicator (RTE) — RO. Hardwired to 1 indicating a request for I/O space.

**NOTE:** This 4-byte I/O space is used in native mode for the Secondary Controller's Command Block.









Bit	Description
7 (Desktop and Mobile Only)	<b>Drive 1 DMA Timing Enable (DTE1)</b> — R/W. 0 = Disable. 1 = Enable the fast timing mode for DMA transfers only for this drive. PIO transfers to the IDE data port will run in compatible timing.
6 (Desktop and Mobile Only)	<b>Drive 1 Prefetch/Posting Enable (PPE1)</b> — R/W. 0 = Disable. 1 = Enable Prefetch and posting to the IDE data port for this drive.
5 (Desktop and Mobile Only)	<b>Drive 1 IORDY Sample Point Enable (IE1)</b> — R/W. 0 = Disable IORDY sampling for this drive. 1 = Enable IORDY sampling for this drive.
4 (Desktop and Mobile Only)	<b>Drive 1 Fast Timing Bank (TIME1)</b> — R/W. 0 = Accesses to the data port will use compatible timings for this drive. 1 = When this bit = 1 and bit 14 = 0, accesses to the data port will use bits 13:12 for the IORDY sample point, and bits 9:8 for the recovery time. When this bit = 1 and bit 14 = 1, accesses to the data port will use the IORDY sample point and recover time specified in the slave IDE timing register.
7:4 (Ultra Mobile Only)	Reserved
3	<b>Drive 0 DMA Timing Enable (DTE0)</b> — R/W. 0 = Disable 1 = Enable fast timing mode for DMA transfers only for this drive. PIO transfers to the IDE data port will run in compatible timing.
2	<b>Drive 0 Prefetch/Posting Enable (PPE0)</b> — R/W. 0 = Disable prefetch and posting to the IDE data port for this drive. 1 = Enable prefetch and posting to the IDE data port for this drive.
1	<b>Drive 0 IORDY Sample Point Enable (IE0)</b> — R/W. 0 = Disable IORDY sampling is disabled for this drive. 1 = Enable IORDY sampling for this drive.
0	<b>Drive 0 Fast Timing Bank (TIME0)</b> — R/W. 0 = Accesses to the data port will use compatible timings for this drive. 1 = Accesses to the data port will use bits 13:12 for the IORDY sample point, and bits 9:8 for the recovery time



### 15.1.21 IDE\_TIMS — IDE Secondary Timing Register (IDE—D31:F1)

Address Offset: 42h–43h                      Attribute: R/W  
 Default Value: 0000h                      Size: 16 bits

Bit	Description
15	<b>IDE Decode Enable (IDE)</b> — R/W. This bit enables/disables the Secondary decode. The IDE I/O Space Enable bit (D31:F1:04h, bit 0) in the Command register must be set in order for this bit to have any effect. Additionally, separate configuration bits are provided (in the IDE I/O Configuration register) to individually disable the secondary IDE interface signals, even if the IDE Decode Enable bit is set. 0 = Disable. 1 = Enables the Intel® ICH7 to decode the associated Command Blocks (170–177h) and Control Block (376h). Accesses to these ranges return 00h, as the secondary channel is not implemented.
14:12	No Operation (NOP) — R/W. These bits are read/write for legacy software compatibility, but have no functionality in the ICH7 since a secondary channel does not exist.
11	Reserved
10:0	No Operation (NOP) — R/W. These bits are read/write for legacy software compatibility, but have no functionality in the ICH7 since a secondary channel does not exist.

### 15.1.22 SLV\_IDETIM—Slave (Drive 1) IDE Timing Register (IDE—D31:F1) (Desktop and Mobile Only)

Address Offset: 44h                              Attribute: R/W  
 Default Value: 00h                              Size: 8 bits

Bit	Description
7:4	No Operation (NOP) — R/W. These bits are read/write for legacy software compatibility, but have no functionality in the Intel® ICH7.
3:2	<b>Primary Drive 1 IORDY Sample Point (PISP1)</b> — R/W. This field determines the number of PCI clocks between IOR#/IOW# assertion and the first IORDY sample point, if the access is to drive 1 data port and bit 14 of the IDE timing register for primary is set. 00 = 5 clocks 01 = 4 clocks 10 = 3 clocks 11 = Reserved
1:0	<b>Primary Drive 1 Recovery Time (PRCT1)</b> — R/W. This field determines the minimum number of PCI clocks between the last IORDY sample point and the IOR#/IOW# strobe of the next cycle, if the access is to drive 1 data port and bit 14 of the IDE timing register for primary is set. 00 = 4 clocks 01 = 3 clocks 10 = 2 clocks 11 = 1 clocks







Bit	Description
17:16	<p><b>SIG_MODE</b> — R/W. These bits are used to control mode of the IDE signal pins for mobile/Ultra Mobile swap bay support.</p> <p>If the PRS bit (Chipset Config Registers: Offset 3414h: bit 1) is 1, the reset states of bits 17:16 will be 01 (tri-state) instead of 00 (normal).</p> <p>00 = Normal (Enabled)                      01 = Tri-state (Disabled)                      10 = Drive low (Disabled)                      11 = Reserved</p>
15:14	No Operation (NOP) — R/W. These bits are read/write for legacy software compatibility, but have no functionality in the ICH7.
13 (Desktop and Mobile Only)	<p><b>Fast Primary Drive 1 Base Clock (FAST_PCB1)</b> — R/W. This bit is used in conjunction with the PCT1 bits to enable/disable Ultra ATA/100 timings for the Primary Slave drive.</p> <p>0 = Disable Ultra ATA/100 timing for the Primary Slave drive.                      1 = Enable Ultra ATA/100 timing for the Primary Slave drive (overrides bit 1 in this register).</p>
13 (Ultra Mobile Only)	Reserved
12	<p><b>Fast Primary Drive 0 Base Clock (FAST_PCB0)</b> — R/W. This bit is used in conjunction with the PCT0 bits to enable/disable Ultra ATA/100 timings for the Primary Master drive.</p> <p>0 = Disable Ultra ATA/100 timing for the Primary Master drive.                      1 = Enable Ultra ATA/100 timing for the Primary Master drive (overrides bit 0 in this register).</p>
11:8	Reserved
7	No Operation (NOP) — R/W. These bits are read/write for legacy software compatibility, but have no functionality in the ICH7.
6	No Operation (NOP) — R/W. These bits are read/write for legacy software compatibility, but have no functionality in the ICH7.
5	<p><b>Primary Slave Channel Cable Reporting</b> — R/W. BIOS should program this bit to tell the IDE driver which cable is plugged into the channel.</p> <p>0 = 40 conductor cable is present.                      1 = 80 conductor cable is present.</p>
4	<b>Primary Master Channel Cable Reporting</b> — R/W. Same description as bit 5
3:2	No Operation (NOP) — R/W. These bits are read/write for legacy software compatibility, but have no functionality in the ICH7.
1 (Desktop and Mobile Only)	<p><b>Primary Drive 1 Base Clock (PCB1)</b> — R/W.</p> <p>0 = 33 MHz base clock for Ultra ATA timings.                      1 = 66 MHz base clock for Ultra ATA timings</p>
1 (Ultra Mobile Only)	Reserved
0	<p><b>Primary Drive 0 Base Clock (PCB0)</b> — R/W.</p> <p>0 = 33 MHz base clock for Ultra ATA timings.                      1 = 66 MHz base clock for Ultra ATA timings</p>





## 15.2 Bus Master IDE I/O Registers (IDE—D31:F1)

The bus master IDE function uses 16 bytes of I/O space, allocated via the BMIBA register, located in Device 31:Function 1 Configuration space, offset 20h. All bus master IDE I/O space registers can be accessed as byte, word, or DWord quantities. Reading reserved bits returns an indeterminate, inconsistent value, and writes to reserved bits have no effect (but should not be attempted). The description of the I/O registers is shown in Table 15-2.

Table 15-2. Bus Master IDE I/O Registers

BMIBASE + Offset	Mnemonic	Register Name	Default	Type
00	BMICP	Bus Master IDE Command Primary	00h	R/W
01	—	Reserved	00h	RO
02	BMISP	Bus Master IDE Status Primary	00h	R/W, R/WC
03	—	Reserved	00h	RO
04–07	BMIDP	Bus Master IDE Descriptor Table Pointer Primary	xxxxxxxxh	R/W

### 15.2.1 BMICP—Bus Master IDE Command Register (IDE—D31:F1)

Address Offset: BMIBASE + 00h                      Attribute: R/W  
 Default Value: 00h                                      Size: 8 bits

Bit	Description
7:4	Reserved. Returns 0.
3	<b>Read / Write Control (RWC)</b> — R/W. This bit sets the direction of the bus master transfer: This bit must NOT be changed when the bus master function is active. 0 = Memory reads 1 = Memory writes
2:1	Reserved. Returns 0.



Bit	Description
0	<p><b>Start/Stop Bus Master (START) — R/W.</b></p> <p>0 = All state information is lost when this bit is cleared. Master mode operation cannot be stopped and then resumed. If this bit is reset while bus master operation is still active (i.e., the Bus Master IDE Active bit (BMIBASE + 02h, bit 0) of the Bus Master IDE Status register for that IDE channel is set) and the drive has not yet finished its data transfer (the Interrupt bit (BMIBASE + 02h, bit 2) in the Bus Master IDE Status register for that IDE channel is not set), the bus master command is said to be aborted and data transferred from the drive may be discarded instead of being written to system memory.</p> <p>1 = Enables bus master operation of the controller. Bus master operation does not actually start unless the Bus Master Enable bit (D31:F1:04h, bit 2) in PCI configuration space is also set. Bus master operation begins when this bit is detected changing from 0 to 1. The controller will transfer data between the IDE device and memory only when this bit is set. Master operation can be halted by writing a 0 to this bit.</p> <p><b>NOTE:</b> This bit is intended to be cleared by software after the data transfer is completed, as indicated by either the Bus Master IDE Active bit being cleared or the Interrupt bit of the Bus Master IDE Status register for that IDE channel being set, or both. Hardware does not clear this bit automatically.</p>

### 15.2.2 BMI SP—Bus Master IDE Status Register (IDE—D31:F1)

Address Offset: BMIBASE + 02h      Attribute: R/W, R/WC  
 Default Value: 00h                      Size: 8 bits

Bit	Description
7	<p><b>PRD Interrupt Status (PRDIS) — R/WC.</b></p> <p>0 = When this bit is cleared by software, the interrupt is cleared.</p> <p>1 = Set when the host controller completes execution of a PRD that has its Interrupt bit (bit 2 of this register) set.</p>
6 (Desktop and Mobile Only)	<p><b>Drive 1 DMA Capable — R/W.</b></p> <p>0 = Not Capable.</p> <p>1 = Capable. Set by device dependent code (BIOS or device driver) to indicate that drive 1 for this channel is capable of DMA transfers, and that the controller has been initialized for optimum performance. The Intel® ICH7 does not use this bit. It is intended for systems that do not attach BMIDE to the PCI bus.</p>
6 (Ultra Mobile Only)	Reserved
5	<p><b>Drive 0 DMA Capable — R/W.</b></p> <p>0 = Not Capable</p> <p>1 = Capable. Set by device dependent code (BIOS or device driver) to indicate that drive 0 for this channel is capable of DMA transfers, and that the controller has been initialized for optimum performance. The ICH7 does not use this bit. It is intended for systems that do not attach BMIDE to the PCI bus.</p>
4:3	Reserved. Returns 0.





Bit	Description
2	<p><b>Interrupt</b> — R/WC. Software can use this bit to determine if an IDE device has asserted its interrupt line (IDEIRO).</p> <p>0 = Software clears this bit by writing a 1 to it. If this bit is cleared while the interrupt is still active, this bit will remain clear until another assertion edge is detected on the interrupt line.</p> <p>1 = Set by the rising edge of the IDE interrupt line, regardless of whether or not the interrupt is masked in the 8259 or the internal I/O APIC. When this bit is read as 1, all data transferred from the drive is visible in system memory.</p>
1	<p><b>Error</b> — R/WC.</p> <p>0 = Software clears this bit by writing a 1 to it.</p> <p>1 = This bit is set when the controller encounters a target abort or master abort when transferring data on PCI.</p>
0	<p><b>Bus Master IDE Active (ACT)</b> — RO.</p> <p>0 = This bit is cleared by the ICH7 when the last transfer for a region is performed, where EOT for that region is set in the region descriptor. It is also cleared by the ICH7 when the Start bit is cleared in the Command register. When this bit is read as 0, all data transferred from the drive during the previous bus master command is visible in system memory, unless the bus master command was aborted.</p> <p>1 = Set by the ICH7 when the Start bit is written to the Command register.</p>

### 15.2.3 BMIDP—Bus Master IDE Descriptor Table Pointer Register (IDE—D31:F1)

Address Offset: BMIBASE + 04h                      Attribute: R/W  
 Default Value: All bits undefined                      Size: 32 bits

Bit	Description
31:2	<p><b>Address of Descriptor Table (ADDR)</b> — R/W. Corresponds to A[31:2]. The Descriptor Table must be DWord-aligned. The Descriptor Table must not cross a 64-K boundary in memory.</p>
1:0	Reserved

§





# 16 AC '97 Audio Controller Registers (D30:F2) (Desktop and Mobile Only)

**Note:** AC '97 is not supported on ICH7-U Ultra Mobile.

## 16.1 AC '97 Audio PCI Configuration Space (Audio—D30:F2)

**Note:** Registers that are not shown should be treated as Reserved.

**Table 16-1. AC '97 Audio PCI Register Address Map (Audio—D30:F2)**

Offset	Mnemonic	Register Name	Default	Access
00h–01h	VID	Vendor Identification	8086h	RO
02h–03h	DID	Device Identification	See register description.	RO
04h–05h	PCICMD	PCI Command	0000h	R/W, RO
06h–07h	PCISTS	PCI Status	0280h	R/WC, RO
08h	RID	Revision Identification	See register description	RO
09h	PI	Programming Interface	00	RO
0Ah	SCC	Sub Class Code	01h	RO
0Bh	BCC	Base Class Code	04h	RO
0Eh	HEADTYP	Header Type	00h	RO
10h–13h	NAMBAR	Native Audio Mixer Base Address	00000001h	R/W, RO
14h–17h	NABMBAR	Native Audio Bus Mastering Base Address	00000001h	R/W, RO
18h–1Bh	MMBAR	Mixer Base Address (Mem)	00000000h	R/W, RO
1Ch–1Fh	MBBAR	Bus Master Base Address (Mem)	00000000h	R/W, RO
2Ch–2Dh	SVID	Subsystem Vendor Identification	0000h	R/WO
2Eh–2Fh	SID	Subsystem Identification	0000h	R/WO
34h	CAP_PTR	Capabilities Pointer	50h	RO
3Ch	INT_LN	Interrupt Line	00h	R/W
3Dh	INT_PN	Interrupt Pin	See register description	RO
40h	PCID	Programmable Codec ID	09h	R/W
41h	CFG	Configuration	00h	R/W
50h–51h	PID	PCI Power Management Capability ID	0001h	RO
52h–53h	PC	PC -Power Management Capabilities	C9C2h	RO
54h–55h	PCS	Power Management Control and Status	0000h	R/W, R/WC



**Note:** Internal reset as a result of D3<sub>HOT</sub> to D0 transition will reset all the core well registers except the following BIOS programmed registers as BIOS may not be invoked following the D3-to-D0 transition. All resume well registers will not be reset by the D3<sub>HOT</sub> to D0 transition.

Core well registers **not** reset by the D3<sub>HOT</sub> to D0 transition:

- offset 2Ch–2Dh – Subsystem Vendor ID (SVID)
- offset 2Eh–2Fh – Subsystem ID (SID)
- offset 40h – Programmable Codec ID (PCID)
- offset 41h – Configuration (CFG)

Resume well registers **will not** be reset by the D3<sub>HOT</sub> to D0 transition:

- offset 54h–55h – Power Management Control and Status (PCS)
- Bus Mastering Register: Global Status Register, bits 17:16
- Bus Mastering Register: SDATA\_IN MAP register, bits 7:3

### 16.1.1 VID—Vendor Identification Register (Audio—D30:F2)

Offset:	00h–01h	Attribute:	RO
Default Value:	8086h	Size:	16 Bits
Lockable:	No	Power Well:	Core

Bit	Description
15:0	Vendor ID. This is a 16-bit value assigned to Intel.

### 16.1.2 DID—Device Identification Register (Audio—D30:F2)

Offset:	02h–03h	Attribute:	RO
Default Value:	See bit description	Size:	16 Bits
Lockable:	No	Power Well:	Core

Bit	Description
15:0	Device ID — RO. This is a 16-bit value assigned to the Intel® ICH7 AC '97 Audio controller. Refer to the <i>Intel® I/O Controller Hub 7 (ICH7) Family Specification Update</i> for the value of the Device ID Register.



### 16.1.3 PCICMD—PCI Command Register (Audio—D30:F2)

Address Offset:	04h–05h	Attribute:	R/W, RO
Default Value:	0000h	Size:	16 bits
Lockable:	No	Power Well:	Core

PCICMD is a 16-bit control register. Refer to the PCI 2.3 specification for complete details on each bit.

Bit	Description
15:11	Reserved. Read 0.
10	<b>Interrupt Disable (ID)</b> — R/W. 0 = The INTx# signals may be asserted and MSIs may be generated. 1 = The AC '97 controller's INTx# signal will be de-asserted and it may not generate MSIs.
9	Fast Back to Back Enable (FBE) — RO. Not implemented. Hardwired to 0.
8	SERR# Enable (SERR_EN) — RO. Not implemented. Hardwired to 0.
7	Wait Cycle Control (WCC) — RO. Not implemented. Hardwired to 0.
6	Parity Error Response (PER) — RO. Not implemented. Hardwired to 0.
5	VGA Palette Snoop (VPS). Not implemented. Hardwired to 0.
4	Memory Write and Invalidate Enable (MWIE) — RO. Not implemented. Hardwired to 0.
3	Special Cycle Enable (SCE). Not implemented. Hardwired to 0.
2	<b>Bus Master Enable (BME)</b> — R/W. Controls standard PCI bus mastering capabilities. 0 = Disable 1 = Enable
1	<b>Memory Space Enable (MSE)</b> — R/W. Enables memory space addresses to the AC '97 Audio controller. 0 = Disable 1 = Enable
0	<b>I/O Space Enable (IOSE)</b> — R/W. This bit controls access to the AC '97 Audio controller I/O space registers. 0 = Disable (Default). 1 = Enable access to I/O space. The Native PCI Mode Base Address register should be programmed prior to setting this bit.  <b>NOTE:</b> This bit becomes writable when the IOSE bit in offset 41h is set. If at any point software decides to clear the IOSE bit, software must first clear the IOS bit.



### 16.1.4 PCISTS—PCI Status Register (Audio—D30:F2)

Offset:	06h–07h	Attribute:	RO, R/WC
Default Value:	0280h	Size:	16 bits
Lockable:	No	Power Well:	Core

PCISTS is a 16-bit status register. Refer to the PCI 2.3 specification for complete details on each bit.

Bit	Description
15	Detected Parity Error (DPE). Not implemented. Hardwired to 0.
14	Signaled System Error (SSE) — RO. Not implemented. Hardwired to 0.
13	<b>Master Abort Status (MAS)</b> — R/WC. Software clears this bit by writing a 1 to it. 0 = No master abort generated. 1 = Bus Master AC '97 2.3 interface function, as a master, generates a master abort.
12	Reserved — RO. Will always read as 0.
11	Signaled Target Abort (STA) — RO. Not implemented. Hardwired to 0.
10:9	DEVSEL# Timing Status (DEV_STS) — RO. This 2-bit field reflects the Intel® ICH7's DEVSEL# timing when performing a positive decode. 01b = Medium timing.
8	Data Parity Error Detected (DPED) — RO. Not implemented. Hardwired to 0.
7	Fast Back to Back Capable (FB2BC) — RO. Hardwired to 1. This bit indicates that the ICH7 as a target is capable of fast back-to-back transactions.
6	UDF Supported — RO. Not implemented. Hardwired to 0.
5	66 MHz Capable (66MHZ_CAP) — RO. Hardwired to 0.
4	Capabilities List (CAP_LIST) — RO. Indicates that the controller contains a capabilities pointer list. The first item is pointed to by looking at configuration offset 34h.
3	<b>Interrupt Status (IS)</b> — RO. 0 = This bit is 0 after the interrupt is cleared. 1 = This bit is 1 when the INTx# is asserted.
2:0	Reserved.

### 16.1.5 RID—Revision Identification Register (Audio—D30:F2)

Offset:	08h	Attribute:	RO
Default Value:	See bit description	Size:	8 Bits
Lockable:	No	Power Well:	Core

Bit	Description
7:0	Revision ID — RO. Refer to the <i>Intel® I/O Controller Hub 7 (ICH7) Family Specification Update</i> for the value of the Revision ID Register.



### 16.1.6 PI—Programming Interface Register (Audio—D30:F2)

Offset: 09h Attribute: RO  
 Default Value: 00h Size: 8 bits  
 Lockable: No Power Well: Core

Bit	Description
7:0	Programming Interface — RO.

### 16.1.7 SCC—Sub Class Code Register (Audio—D30:F2)

Address Offset: 0Ah Attribute: RO  
 Default Value: 01h Size: 8 bits  
 Lockable: No Power Well: Core

Bit	Description
7:0	Sub Class Code (SCC) — RO. 01h = Audio Device

### 16.1.8 BCC—Base Class Code Register (Audio—D30:F2)

Address Offset: 0Bh Attribute: RO  
 Default Value: 04h Size: 8 bits  
 Lockable: No Power Well: Core

Bit	Description
7:0	Base Class Code (BCC) — RO. 04h = Multimedia device

### 16.1.9 HEADTYP—Header Type Register (Audio—D30:F2)

Address Offset: 0Eh Attribute: RO  
 Default Value: 00h Size: 8 bits  
 Lockable: No Power Well: Core

Bit	Description
7:0	Header Type — RO. Hardwired to 00h.



### 16.1.10 NAMBAR—Native Audio Mixer Base Address Register (Audio—D30:F2)

Address Offset:	10–13h	Attribute:	R/W, RO
Default Value:	00000001h	Size:	32 bits
Lockable:	No	Power Well:	Core

The Native PCI Mode Audio function uses PCI Base Address register #1 to request a contiguous block of I/O space that is to be used for the Native Audio Mixer software interface. The mixer requires 256 bytes of I/O space. Native Audio Mixer and Modem codec I/O registers are located from 00h to 7Fh and reside in the codec. Access to these registers will be decoded by the AC '97 controller and forwarded over the AC-link to the codec. The codec will then respond with the register value.

In the case of the split codec implementation, accesses to the different codecs are differentiated by the controller by using address offsets 00h–7Fh for the primary codec and address offsets 80h–FEh for the secondary codec.

**Note:**

The tertiary codec cannot be addressed via this address space. The tertiary space is only available from the new MMBAR register. This register powers up as read only and only becomes write-able when the IOSE bit in offset 41h is set.

For description of these I/O registers, refer to the *Audio Codec '97 Component Specification, Version 2.3*.

Bit	Description
31:16	Hardwired to 0s.
15:8	<b>Base Address</b> — R/W. These bits are used in the I/O space decode of the Native Audio Mixer interface registers. The number of upper bits that a device actually implements depends on how much of the address space the device will respond to. For the AC '97 mixer, the upper 16 bits are hardwired to 0, while bits 15:8 are programmable. This configuration yields a maximum I/O block size of 256 bytes for this base address.
7:1	Reserved. Read as 0s.
0	<b>Resource Type Indicator (RTE)</b> — RO. This bit defaults to 0 and changes to 1 if the IOSE bit is set (D30:F2:Offset 41h, bit 0). When 1, this bit indicates a request for I/O space.





### 16.1.11 NABMBAR—Native Audio Bus Mastering Base Address Register (Audio—D30:F2)

Address Offset:	14h–17h	Attribute:	R/W, RO
Default Value:	0000001h	Size:	32 bits
Lockable:	No	Power Well:	Core

The Native PCI Mode Audio function uses PCI Base Address register #1 to request a contiguous block of I/O space that is to be used for the Native Mode Audio software interface.

**Note:** The DMA registers for S/PDIF\* and Microphone In 2 cannot be addressed via this address space. These DMA functions are only available from the new MBBAR register. This register powers up as read only and only becomes write-able when the IOSE bit in offset 41h is set.

Bit	Description
31:16	Hardwired to 0s
15:6	<b>Base Address</b> — R/W. These bits are used in the I/O space decode of the Native Audio Bus Mastering interface registers. The number of upper bits that a device actually implements depends on how much of the address space the device will respond to. For AC '97 bus mastering, the upper 16 bits are hardwired to 0, while bits 15:6 are programmable. This configuration yields a maximum I/O block size of 64 bytes for this base address.
5:1	Reserved. Read as 0's.
0	<b>Resource Type Indicator (RTE)</b> — RO. This bit defaults to 0 and changes to 1 if the IOSE bit is set (D30:F2:Offset 41h, bit 0). When 1, this bit indicates a request for I/O space.

### 16.1.12 MMBAR—Mixer Base Address Register (Audio—D30:F2)

Address Offset:	18h–1Bh	Attribute:	R/W, RO
Default Value:	00000000h	Size:	32 bits
Lockable:	No	Power Well:	Core

This BAR creates 512 bytes of memory space to signify the base address of the register space. The lower 256 bytes of this space map to the same registers as the 256-byte I/O space pointed to by NAMBAR. The lower 384 bytes are divided as follows:

- 128 bytes for the primary codec (offsets 00–7Fh)
- 128 bytes for the secondary codec (offsets 80–FFh)
- 128 bytes for the tertiary codec (offsets 100h–17Fh).
- 128 bytes of reserved space (offsets 180h–1FFh), returning all 0's.

Bit	Description
31:9	<b>Base Address</b> — R/W. This field provides the lower 32-bits of the 512-byte memory offset to use for decoding the primary, secondary, and tertiary codec's mixer spaces.
8:3	Reserved. Read as 0s.
2:1	<b>Type</b> — RO. Hardwired to 00b to indicate the base address exists in 32-bit address space
0	<b>Resource Type Indicator (RTE)</b> — RO. Hardwired to 0 to indicate a request for memory space.



### 16.1.13 MBBAR—Bus Master Base Address Register (Audio—D30:F2)

Address Offset:	1Ch–1Fh	Attribute:	R/W, RO
Default Value:	00000000h	Size:	32 bits
Lockable:	No	Power Well:	Core

This BAR creates 256-bytes of memory space to signify the base address of the bus master memory space. The lower 64-bytes of the space pointed to by this register point to the same registers as the MBBAR.

Bit	Description
31:8	<b>Base Address</b> — R/W. This field provides the I/O offset to use for decoding the PCM In, PCM Out, and Microphone 1 DMA engines.
7:3	Reserved. Read as 0s.
2:1	Type — RO. Hardwired to 00b to indicate the base address exists in 32-bit address space
0	Resource Type Indicator (RTE) — RO. Hardwired to 0 to indicate a request for memory space.

### 16.1.14 SVID—Subsystem Vendor Identification Register (Audio—D30:F2)

Address Offset:	2Ch–2Dh	Attribute:	R/WO
Default Value:	0000h	Size:	16 bits
Lockable:	No	Power Well:	Core

The SVID register, in combination with the Subsystem ID register (D30:F2:2Eh), enable the operating environment to distinguish one audio subsystem from the other(s).

This register is implemented as write-once register. Once a value is written to it, the value can be read back. Any subsequent writes will have no effect.

This register is not affected by the D3<sub>HOT</sub> to D0 transition.

Bit	Description
15:0	<b>Subsystem Vendor ID</b> — R/WO.



### 16.1.15 SID—Subsystem Identification Register (Audio—D30:F2)

Address Offset:	2Eh–2Fh	Attribute:	R/WO
Default Value:	0000h	Size:	16 bits
Lockable:	No	Power Well:	Core

The SID register, in combination with the Subsystem Vendor ID register (D30:F2:2Ch) make it possible for the operating environment to distinguish one audio subsystem from the other(s).

This register is implemented as write-once register. Once a value is written to it, the value can be read back. Any subsequent writes will have no effect.

This register is not affected by the D3<sub>HOT</sub> to D0 transition.

Bit	Description
15:0	<b>Subsystem ID</b> — R/WO.

### 16.1.16 CAP\_PTR—Capabilities Pointer Register (Audio—D30:F2)

Address Offset:	34h	Attribute:	RO
Default Value:	50h	Size:	8 bits
Lockable:	No	Power Well:	Core

This register indicates the offset for the capability pointer.

Bit	Description
7:0	<b>Capabilities Pointer (CAP_PTR)</b> — RO. This field indicates that the first capability pointer offset is offset 50h

### 16.1.17 INT\_LN—Interrupt Line Register (Audio—D30:F2)

Address Offset:	3Ch	Attribute:	R/W
Default Value:	00h	Size:	8 bits
Lockable:	No	Power Well:	Core

This register indicates which PCI interrupt line is used for the AC '97 module interrupt.

Bit	Description
7:0	<b>Interrupt Line (INT_LN)</b> — R/W. This data is not used by the Intel <sup>®</sup> ICH7. It is used to communicate to software the interrupt line that the interrupt pin is connected to.



### 16.1.18 INT\_PN—Interrupt Pin Register (Audio—D30:F2)

Address Offset:	3Dh	Attribute:	RO
Default Value:	See Description	Size:	8 bits
Lockable:	No	Power Well:	Core

This register indicates which PCI interrupt pin is used for the AC '97 module interrupt. The AC '97 interrupt is internally OR'd to the interrupt controller with the PIRQB# signal.

Bit	Description
7:0	AC '97 Interrupt Routing — RO. This reflects the value of D30IP.AAIP in chipset configuration space.

### 16.1.19 PCID—Programmable Codec Identification Register (Audio—D30:F2)

Address Offset:	40h	Attribute:	R/W
Default Value:	09h	Size:	8 bits
Lockable:	No	Power Well:	Core

This register is used to specify the ID for the secondary and tertiary codecs for I/O accesses. This register is not affected by the D3<sub>HOT</sub> to D0 transition. The value in this register must be modified before any AC '97 codec accesses.

Bit	Description
7:4	Reserved.
3:2	<b>Tertiary Codec ID (TID)</b> — R/W. These bits define the encoded ID that is used to address the tertiary codec I/O space. Bit 1 is the first bit sent and Bit 0 is the second bit sent on ACZ_SDOOUT during slot 0.
1:0	<b>Secondary Codec ID (SCID)</b> — R/W. These two bits define the encoded ID that is used to address the secondary codec I/O space. The two bits are the ID that will be placed on slot 0, bits 0 and 1, upon an I/O access to the secondary codec. Bit 1 is the first bit sent and bit 0 is the second bit sent on ACZ_SDOOUT during slot 0.

### 16.1.20 CFG—Configuration Register (Audio—D30:F2)

Address Offset:	41h	Attribute:	R/W
Default Value:	00h	Size:	8 bits
Lockable:	No	Power Well:	Core

This register is used to specify the ID for the secondary and tertiary codecs for I/O accesses. This register is not affected by the D3<sub>HOT</sub> to D0 transition.

Bit	Description
7:1	Reserved—RO.
0	<b>I/O Space Enable (IOSE)</b> — R/W. 0 = Disable. The IOS bit at offset 04h and the I/O space BARs at offset 10h and 14h become read only registers. Additionally, bit 0 of the I/O BARs at offsets 10h and 14h are hardwired to 0 when this bit is 0. This is the default state for the I/O BARs. BIOS must explicitly set this bit to allow a legacy driver to work. 1 = Enable.



### 16.1.21 PID—PCI Power Management Capability Identification Register (Audio—D30:F2)

Address Offset:	50h–51h	Attribute:	RO
Default Value:	0001h	Size:	16 bits
Lockable:	No	Power Well:	Core

Bit	Description
15:8	Next Capability (NEXT) — RO. This field indicates that the next item in the list is at offset 00h.
7:0	Capability ID (CAP) — RO. This field indicates that this pointer is a message signaled interrupt capability

### 16.1.22 PC—Power Management Capabilities Register (Audio—D30:F2)

Address Offset:	52h–53h	Attribute:	RO
Default Value:	C9C2h	Size:	16 bits
Lockable:	No	Power Well:	Core

This register is not affected by the D3<sub>HOT</sub> to D0 transition.

Bit	Description
15:11	PME Support — RO. This field indicates PME# can be generated from all D states.
10:9	Reserved.
8:6	Auxiliary Current — RO. This field reports 375 mA maximum suspend well current required when in the D3 <sub>COLD</sub> state.
5	Device Specific Initialization (DSI)—RO. This field indicates that no device-specific initialization is required.
4	Reserved — RO.
3	PME Clock (PMEC) — RO. This field indicates that PCI clock is not required to generate PME#.
2:0	Version (VER) — RO. This field indicates support for <i>Revision 1.1 of the PCI Power Management Specification</i> .



### 16.1.23 PCS—Power Management Control and Status Register (Audio—D30:F2)

Address Offset:	54h–55h	Attribute:	R/W, R/WC
Default Value:	0000h	Size:	16 bits
Lockable:	No	Power Well:	Resume

Bit	Description
15	<p><b>PME Status (PMES)</b> — R/WC. This bit resides in the resume well. Software clears this bit by writing a 1 to it.</p> <p>0 = PME# signal Not asserted by AC '97 controller.            1 = This bit is set when the AC '97 controller would normally assert the PME# signal independent of the state of the PME_En bit.</p>
14:9	Reserved — RO.
8	<p><b>Power Management Event Enable (PMEE)</b> — R/W.</p> <p>0 = Disable.            1 = Enable. When set, and if corresponding PMES is also set, the AC '97 controller sets the AC97_STS bit in the GPE0_STS register</p>
7:2	Reserved—RO.
1:0	<p><b>Power State (PS)</b> — R/W. This field is used both to determine the current power state of the AC '97 controller and to set a new power state. The values are:</p> <p>00 = D0 state            01 = not supported            10 = not supported            11 = D3<sub>HOT</sub> state</p> <p>When in the D3<sub>HOT</sub> state, the AC '97 controller's configuration space is available, but the I/O and memory spaces are not. Additionally, interrupts are blocked.</p> <p>If software attempts to write a value of 10b or 01b in to this field, the write operation must complete normally; however, the data is discarded and no state change occurs.</p>



## 16.2 AC '97 Audio I/O Space (D30:F2)

The AC '97 I/O space includes Native Audio Bus Master registers and Native Mixer registers. For the ICH7, the offsets are important as they will determine bits 1:0 of the TAG field (codec ID).

Audio Mixer I/O space can be accessed as a 16-bit field only since the data packet length on

AC-link is a word. Any S/W access to the codec will be done as a 16-bit access starting from the first active byte. In case no byte enables are active, the access will be done at the first word of the qWord that contains the address of this request.

**Table 16-2. Intel® ICH7 Audio Mixer Register Configuration (Sheet 1 of 2)**

Primary Offset (Codec ID =00)	Secondary Offset (Codec ID =01)	Tertiary Offset (Codec ID =10)	NAMBAR Exposed Registers (D30:F2)
00h	80h	100h	Reset
02h	82h	102h	Master Volume
04h	84h	104h	Aux Out Volume
06h	86h	106h	Mono Volume
08h	88h	108h	Master Tone (R & L)
0Ah	8Ah	10Ah	PC_BEEP Volume
0Ch	8Ch	10Ch	Phone Volume
0Eh	8Eh	10Eh	Mic Volume
10h	90h	110h	Line In Volume
12h	92h	112h	CD Volume
14h	94h	114h	Video Volume
16h	96h	116h	Aux In Volume
18h	98h	118h	PCM Out Volume
1Ah	9Ah	11Ah	Record Select
1Ch	9Ch	11Ch	Record Gain
1Eh	9Eh	11Eh	Record Gain Mic
20h	A0h	120h	General Purpose
22h	A2h	122h	3D Control
24h	A4h	124h	AC '97 RESERVED
26h	A6h	126h	Powerdown Ctrl/Stat
28h	A8h	128h	Extended Audio
2Ah	AAh	12Ah	Extended Audio Ctrl/Stat
2Ch	ACh	12Ch	PCM Front DAC Rate
2Eh	A Eh	12Eh	PCM Surround DAC Rate
30h	B0h	130h	PCM LFE DAC Rate
32h	B2h	132h	PCM LR ADC Rate
34h	B4h	134h	MIC ADC Rate
36h	B6h	136h	6Ch Vol: C, LFE
38h	B8h	138h	6Ch Vol: L, R Surround
3Ah	BAh	13Ah	S/PDIF Control
3Ch–56h	BC–D6h	13C–156h	Intel RESERVED
58h	D8h	158h	AC '97 Reserved



Table 16-2. Intel® ICH7 Audio Mixer Register Configuration (Sheet 2 of 2)

Primary Offset (Codec ID =00)	Secondary Offset (Codec ID =01)	Tertiary Offset (Codec ID =10)	NAMBAR Exposed Registers (D30:F2)
5Ah	DAh	15Ah	Vendor Reserved
7Ch	FCh	17Ch	Vendor ID1
7Eh	FEh	17Eh	Vendor ID2

**NOTE:**

1. Software should not try to access reserved registers
2. Primary Codec ID cannot be changed. Secondary codec ID can be changed via bits 1:0 of configuration register 40h. Tertiary codec ID can be changed via bits 3:2 of configuration register 40h.
3. The tertiary offset is only available through the memory space defined by the MMBAR register.

The Bus Master registers are located from offset + 00h to offset + 51h and reside in the AC '97 controller. Accesses to these registers do **not** cause the cycle to be forwarded over the AC-link to the codec. S/W could access these registers as bytes, word, DWord or qword quantities, but reads must not cross DWord boundaries.

In the case of the split codec implementation, accesses to the different codecs are differentiated by the controller by using address offsets 00h–7Fh for the primary codec, address offsets 80h–FFh for the secondary codec and address offsets 100h–17Fh for the tertiary codec.

The Global Control (GLOB\_CNT) (D30:F2:2Ch) and Global Status (GLOB\_STA) (D30:F2:30h) registers are aliased to the same global registers in the audio and modem I/O space. Therefore a read/write to these registers in either audio or modem I/O space affects the same physical register.

Bus Mastering registers exist in I/O space and reside in the AC '97 controller. The six channels, PCM in, PCM in 2, PCM out, Mic in, Mic 2, and S/PDIF out, each have their own set of Bus Mastering registers. The following register descriptions apply to all six channels. The register definition section titles use a generic "x\_" in front of the register to indicate that the register applies to all six channels. The naming prefix convention used in Table 16-3 and in the register description I/O address is as follows:

PI = PCM in channel  
PO = PCM out channel  
MC = Mic in channel  
MC2 = Mic 2 channel  
PI2 = PCM in 2 channel  
SP = S/PDIF out channel.





Table 16-3. Native Audio Bus Master Control Registers (Sheet 1 of 2)

Offset	Mnemonic	Name	Default	Access
00h	PI_BDBAR	PCM In Buffer Descriptor list Base Address	00000000h	R/W
04h	PI_CIV	PCM In Current Index Value	00h	RO
05h	PI_LVI	PCM In Last Valid Index	00h	R/W
06h	PI_SR	PCM In Status	0001h	R/WC, RO
08h	PI_PICB	PCM In Position in Current Buffer	0000h	RO
0Ah	PI_PIV	PCM In Prefetched Index Value	00h	RO
0Bh	PI_CR	PCM In Control	00h	R/W, R/W (special)
10h	PO_BDBAR	PCM Out Buffer Descriptor list Base Address	00000000h	R/W
14h	PO_CIV	PCM Out Current Index Value	00h	RO
15h	PO_LVI	PCM Out Last Valid Index	00h	R/W
16h	PO_SR	PCM Out Status	0001h	R/WC, RO
18h	PO_PICB	PCM In Position In Current Buffer	0000h	RO
1Ah	PO_PIV	PCM Out Prefetched Index Value	00h	RO
1Bh	PO_CR	PCM Out Control	00h	R/W, R/W (special)
20h	MC_BDBAR	Mic. In Buffer Descriptor List Base Address	00000000h	R/W
24h	MC_CIV	Mic. In Current Index Value	00h	RO
25h	MC_LVI	Mic. In Last Valid Index	00h	R/W
26h	MC_SR	Mic. In Status	0001h	R/WC, RO
28h	MC_PICB	Mic. In Position In Current Buffer	0000h	RO
2Ah	MC_PIV	Mic. In Prefetched Index Value	00h	RO
2Bh	MC_CR	Mic. In Control	00h	R/W, R/W (special)
2Ch	GLOB_CNT	Global Control	00000000h	R/W, R/W (special)
30h	GLOB_STA	Global Status	See register description	R/W, R/WC, RO
34h	CAS	Codec Access Semaphore	00h	R/W (special)
40h	MC2_BDBAR	Mic. 2 Buffer Descriptor List Base Address	00000000h	R/W
44h	MC2_CIV	Mic. 2 Current Index Value	00h	RO
45h	MC2_LVI	Mic. 2 Last Valid Index	00h	R/W
46h	MC2_SR	Mic. 2 Status	0001h	RO, R/WC
48h	MC2_PICB	Mic 2 Position In Current Buffer	0000h	RO
4Ah	MC2_PIV	Mic. 2 Prefetched Index Value	00h	RO
4Bh	MC2_CR	Mic. 2 Control	00h	R/W, R/W (special)
50h	PI2_BDBAR	PCM In 2 Buffer Descriptor List Base Address	00000000h	R/W



Table 16-3. Native Audio Bus Master Control Registers (Sheet 2 of 2)

Offset	Mnemonic	Name	Default	Access
54h	PI2_CIV	PCM In 2 Current Index Value	00h	RO
55h	PI2_LVI	PCM In 2 Last Valid Index	00h	R/W
56h	PI2_SR	PCM In 2 Status	0001h	R/WC, RO
58h	PI2_PICB	PCM In 2 Position in Current Buffer	0000h	RO
5Ah	PI2_PIV	PCM In 2 Prefetched Index Value	00h	RO
5Bh	PI2_CR	PCM In 2 Control	00h	R/W, R/W (special)
60h	SPBAR	S/PDIF Buffer Descriptor List Base Address	00000000h	R/W
64h	SPCIV	S/PDIF Current Index Value	00h	RO
65h	SPLVI	S/PDIF Last Valid Index	00h	R/W
66h	SPSR	S/PDIF Status	0001h	R/WC, RO
68h	SPPICB	S/PDIF Position In Current Buffer	0000h	RO
6Ah	SPPIV	S/PDIF Prefetched Index Value	00h	RO
6Bh	SPCR	S/PDIF Control	00h	R/W, R/W (special)
80h	SDM	SData_IN Map	00h	R/W, RO

**Note:** Internal reset as a result of D3<sub>HOT</sub> to D0 transition will reset all the core well registers except the registers shared with the AC '97 Modem (GCR, GSR, CASR). All resume well registers will not be reset by the D3<sub>HOT</sub> to D0 transition.

Core well registers and bits **not** reset by the D3<sub>HOT</sub> to D0 transition:

- offset 2Ch–2Fh – bits 6:0 Global Control (GLOB\_CNT)
- offset 30h–33h – bits [29,15,11:10,0] Global Status (GLOB\_STA)
- offset 34h – Codec Access Semaphore Register (CAS)

Resume well registers and bits **will not** be reset by the D3<sub>HOT</sub> to D0 transition:

- offset 30h–33h – bits [17:16] Global Status (GLOB\_STA)



### 16.2.1 x\_BDBAR—Buffer Descriptor Base Address Register (Audio—D30:F2)

I/O Address: NABMBAR + 00h (PIBDBAR), Attribute: R/W  
 NABMBAR + 10h (POBDBAR),  
 NABMBAR + 20h (MCBDBAR)  
 MBBAR + 40h (MC2BDBAR)  
 MBBAR + 50h (PI2BDBAR)  
 MBBAR + 60h (SPBAR)

Default Value: 00000000h Size: 32 bits  
 Lockable: No Power Well: Core

Software can read the register at offset 00h by performing a single 32-bit read from address offset 00h. Reads across DWord boundaries are not supported.

Bit	Description
31:3	<b>Buffer Descriptor Base Address[31:3]</b> — R/W. These bits represent address bits 31:3. The data should be aligned on 8-byte boundaries. Each buffer descriptor is 8 bytes long and the list can contain a maximum of 32 entries.
2:0	Hardwired to 0.

### 16.2.2 x\_CIV—Current Index Value Register (Audio—D30:F2)

I/O Address: NABMBAR + 04h (PICIV), Attribute: RO  
 NABMBAR + 14h (POCIV),  
 NABMBAR + 24h (MCCIV)  
 MBBAR + 44h (MC2CIV)  
 MBBAR + 54h (PI2CIV)  
 MBBAR + 64h (SPCIV)

Default Value: 00h Size: 8 bits  
 Lockable: No Power Well: Core

Software can read the registers at offsets 04h, 05h and 06h simultaneously by performing a single, 32-bit read from address offset 04h. Software can also read this register individually by doing a single, 8-bit read to offset 04h.

Bit	Description
7:5	Hardwired to 0
4:0	<b>Current Index Value [4:0]</b> — RO. These bits represent which buffer descriptor within the list of 32 descriptors is currently being processed. As each descriptor is processed, this value is incremented. The value rolls over after it reaches 31.

**NOTE:** Reads across DWord boundaries are not supported.



### 16.2.3 x\_LVI—Last Valid Index Register (Audio—D30:F2)

I/O Address:	NABMBAR + 05h (PILVI), NABMBAR + 15h (POLVI), NABMBAR + 25h (MCLVI) MBBAR + 45h (MC2LVI) MBBAR + 55h (PI2LVI) MBBAR + 65h (SPLVI)	Attribute:	R/W
Default Value:	00h	Size:	8 bits
Lockable:	No	Power Well:	Core

Software can read the registers at offsets 04h, 05h and 06h simultaneously by performing a single, 32-bit read from address offset 04h. Software can also read this register individually by doing a single, 8-bit read to offset 05h.

Bit	Description
7:5	Hardwired to 0.
4:0	<b>Last Valid Index [4:0]</b> — R/W. This value represents the last valid descriptor in the list. This value is updated by the software each time it prepares a new buffer and adds it to the list.

**NOTE:** Reads across DWord boundaries are not supported.

### 16.2.4 x\_SR—Status Register (Audio—D30:F2)

I/O Address:	NABMBAR + 06h (PISR), NABMBAR + 16h (POSR), NABMBAR + 26h (MCSR) MBBAR + 46h (MC2SR) MBBAR + 56h (PI2SR) MBBAR + 66h (SPSR)	Attribute:	R/WC, RO
Default Value:	0001h	Size:	16 bits
Lockable:	No	Power Well:	Core

Software can read the registers at offsets 04h, 05h and 06h simultaneously by performing a single, 32-bit read from address offset 04h. Software can also read this register individually by doing a single, 16-bit read to offset 06h. Reads across DWord boundaries are not supported.



Bit	Description
15:5	Reserved.
4	<p><b>FIFO Error (FIFOE)</b> — R/WC. Software clears this bit by writing a 1 to it.            0 = No FIFO error.            1 = FIFO error occurs.</p> <p><b>PISR Register:</b> FIFO error indicates a FIFO overrun. The FIFO pointers don't increment, the incoming data is not written into the FIFO, thus is lost.</p> <p><b>POSR Register:</b> FIFO error indicates a FIFO underrun. The sample transmitted in this case should be the last valid sample.</p> <p>The Intel® ICH7 will set the FIFO bit if the under-run or overrun occurs when there are more valid buffers to process.</p>
3	<p><b>Buffer Completion Interrupt Status (BCIS)</b> — R/WC.            0 = Software clears this bit by writing a 1 to it.            1 = Set by the hardware after the last sample of a buffer has been processed, AND if the Interrupt on Completion (IOC) bit is set in the command byte of the buffer descriptor. It remains active until cleared by software.</p>
2	<p><b>Last Valid Buffer Completion Interrupt (LVBCI)</b> — R/WC.            0 = Software clears this bit by writing a 1 to it.            1 = Last valid buffer has been processed. It remains active until cleared by software. This bit indicates the occurrence of the event signified by the last valid buffer being processed. Thus this is an event status bit that can be cleared by software once this event has been recognized. This event will cause an interrupt if the enable bit (D30:F2:NABMBAR + 0Bh, bit 2) in the Control Register is set. The interrupt is cleared when the software clears this bit.</p> <p>In the case of <i>Transmits</i> (PCM out, Modem out) this bit is set, after the last valid buffer has been fetched (not after transmitting it). While in the case of <i>Receives</i>, this bit is set after the data for the last buffer has been written to memory.</p>
1	<p><b>Current Equals Last Valid (CELV)</b> — RO.            0 = Cleared by hardware when controller exists state (i.e., until a new value is written to the LVI register.)            1 = Current Index is equal to the value in the Last Valid Index Register (D30:F2:NABMBAR + 05h), and the buffer pointed to by the CIV has been processed (i.e., after the last valid buffer has been processed). This bit is very similar to bit 2, except this bit reflects the state rather than the event. This bit reflects the state of the controller, and remains set until the controller exits this state.</p>
0	<p><b>DMA Controller Halted (DCH)</b> — RO.            0 = Running.            1 = Halted. This could happen because of the Start/Stop bit being cleared and the DMA engines are idle, or it could happen once the controller has processed the last valid buffer.</p>



### 16.2.5 x\_PICB—Position In Current Buffer Register (Audio—D30:F2)

I/O Address:	NABMBAR + 08h (PIPICB), NABMBAR + 18h (POPICB), NABMBAR + 28h (MCPICB), MBBAR + 48h (MC2PICB), MBBAR + 58h (PI2PICB), MBBAR + 68h (SPPICB)	Attribute:	RO
Default Value:	0000h	Size:	16 bits
Lockable:	No	Power Well:	Core

Software can read the registers at the offsets 08h, 0Ah, and 0Bh by performing a 32-bit read from the address offset 08h. Software can also read this register individually by doing a single, 16-bit read to offset 08h. Reads across DWord boundaries are not supported.

Bit	Description
15:0	<b>Position In Current Buffer [15:0]</b> — RO. These bits represent the number of samples left to be processed in the current buffer. This means the number of samples not yet read from memory (in the case of reads from memory) or not yet written to memory (in the case of writes to memory), irrespective of the number of samples that have been transmitted/received across AC-link.

### 16.2.6 x\_PIV—Prefetched Index Value Register (Audio—D30:F2)

I/O Address:	NABMBAR + 0Ah (PIPIV), NABMBAR + 1Ah (POPIV), NABMBAR + 2Ah (MCPIV), MBBAR + 4Ah (MC2PIV), MBBAR + 5Ah (PI2PIV), MBBAR + 6Ah (SPPIV)	Attribute:	RO
Default Value:	00h	Size:	8 bits
Lockable:	No	Power Well:	Core

Software can read the registers at the offsets 08h, 0Ah, and 0Bh by performing a 32-bit read from the address offset 08h. Software can also read this register individually by doing a single, 8-bit read to offset 0Ah. Reads across DWord boundaries are not supported.

Bit	Description
7:5	Hardwired to 0.
4:0	<b>Prefetched Index Value [4:0]</b> — RO. These bits represent which buffer descriptor in the list has been prefetched. The bits in this register are also modulo 32 and roll over after they reach 31.



### 16.2.7 x\_CR—Control Register (Audio—D30:F2)

I/O Address: NABMBAR + 0Bh (PICR), Attribute: R/W, R/W (special)  
 NABMBAR + 1Bh (POCR),  
 NABMBAR + 2Bh (MCCR)  
 MBBAR + 4Bh (MC2CR)  
 MBBAR + 5Bh (PI2CR)  
 MBBAR + 6Bh (SPCR)

Default Value: 00h Size: 8 bits  
 Lockable: No Power Well: Core

Software can read the registers at the offsets 08h, 0Ah, and 0Bh by performing a 32-bit read from the address offset 08h. Software can also read this register individually by doing a single, 8-bit read to offset 0Bh. Reads across DWord boundaries are not supported.

Bit	Description
7:5	Reserved.
4	<b>Interrupt on Completion Enable (IOCE)</b> — R/W. This bit controls whether or not an interrupt occurs when a buffer completes with the IOC bit set in its descriptor. 0 = Disable. Interrupt will not occur. 1 = Enable.
3	<b>FIFO Error Interrupt Enable (FEIE)</b> — R/W. This bit controls whether the occurrence of a FIFO error will cause an interrupt or not. 0 = Disable. Bit 4 in the Status register will be set, but the interrupt will not occur. 1 = Enable. Interrupt will occur.
2	<b>Last Valid Buffer Interrupt Enable (LVBIE)</b> — R/W. This bit controls whether the completion of the last valid buffer will cause an interrupt or not. 0 = Disable. Bit 2 in the Status register will still be set, but the interrupt will not occur. 1 = Enable.
1	<b>Reset Registers (RR)</b> — R/W (special). 0 = Removes reset condition. 1 = Contents of all Bus master related registers to be reset, except the interrupt enable bits (bit 4,3,2 of this register). Software needs to set this bit but need not clear it since the bit is self clearing. This bit must be set only when the Run/Pause bit (D30:F2:2Bh, bit 0) is cleared. Setting it when the Run bit is set will cause undefined consequences.
0	<b>Run/Pause Bus Master (RPBM)</b> — R/W. 0 = Pause bus master operation. This results in all state information being retained (i.e., master mode operation can be stopped and then resumed). 1 = Run. Bus master operation starts.



### 16.2.8 GLOB\_CNT—Global Control Register (Audio—D30:F2)

I/O Address:	NABMBAR + 2Ch	Attribute:	R/W, R/W (special)
Default Value:	00000000h	Size:	32 bits
Lockable:	No	Power Well:	Core

Bit	Description
31:30	<p><b>S/PDIF Slot Map (SSM)</b> — R/W. If the run/pause bus master bit (bit 0 of offset 2Bh) is set, then the value in these bits indicate which slots S/PDIF data is transmitted on. Software must ensure that the programming here does not conflict with the PCM channels being used. If there is a conflict, unpredictable behavior will result — the hardware will not check for a conflict.</p> <p>00 = Reserved            01 = Slots 7 and 8            10 = Slots 6 and 9            11 = Slots 10 and 11</p>
29:24	Reserved.
23:22	<p><b>PCM Out Mode (POM)</b> — R/W. Enables the PCM out channel to use 16- or 20-bit audio on PCM out. This does not affect the microphone of S/PDIF DMA. When greater than 16-bit audio is used, the data structures are aligned as 32-bits per sample, with the highest order bits representing the data, and the lower order bits as don't care.</p> <p>00 = 16 bit audio (default)            01 = 20 bit audio            10 = Reserved. If set, indeterminate behavior will result.            11 = Reserved. If set, indeterminate behavior will result.</p>
21:20	<p><b>PCM 4/6 Enable</b> — R/W. This field configures PCM Output for 2-, 4- or 6-channel mode.</p> <p>00 = 2-channel mode (default)            01 = 4-channel mode            10 = 6-channel mode            11 = Reserved</p>
19:7	Reserved.
6	<p><b>ACZ_SDIN2 Interrupt Enable</b> — R/W.</p> <p>0 = Disable.            1 = Enable an interrupt to occur when the codec on the ACZ_SDIN2 causes a resume event on the AC-link.</p> <p><b>NOTE:</b> This bit is not affected by AC '97 Audio Function D3<sub>HOT</sub> to D0 reset.</p>
5	<p><b>ACZ_SDIN1 Interrupt Enable</b> — R/W.</p> <p>0 = Disable.            1 = Enable an interrupt to occur when the codec on the ACZ_SDIN1 causes a resume event on the AC-link.</p> <p><b>NOTE:</b> This bit is not affected by AC '97 Audio Function D3<sub>HOT</sub> to D0 reset.</p>
4	<p><b>ACZ_SDIN0 Interrupt Enable</b> — R/W.</p> <p>0 = Disable.            1 = Enable an interrupt to occur when the codec on ACZ_SDIN0 causes a resume event on the AC-link.</p> <p><b>NOTE:</b> This bit is not affected by AC '97 Audio Function D3<sub>HOT</sub> to D0 reset.</p>





Bit	Description
3	<p><b>AC-LINK Shut Off (LSO)</b> — R/W.</p> <p>0 = Normal operation. 1 = Controller disables all outputs which will be pulled low by internal pull down resistors.</p> <p><b>NOTE:</b> This bit is not affected by AC '97 Audio Function D3<sub>HOT</sub> to D0 reset.</p>
2	<p><b>AC '97 Warm Reset</b> — R/W (special).</p> <p>0 = Normal operation. 1 = Writing a 1 to this bit causes a warm reset to occur on the AC-link. The warm reset will awaken a suspended codec without clearing its internal registers. If software attempts to perform a warm reset while bit_clk is running, the write will be ignored and the bit will not change. This bit is self-clearing (it remains set until the reset completes and bit_clk is seen on the AC-link, after which it clears itself).</p> <p><b>NOTE:</b> This bit is not affected by AC '97 Audio Function D3<sub>HOT</sub> to D0 reset.</p>
1	<p><b>AC '97 Cold Reset#</b> — R/W.</p> <p>0 = Writing a 0 to this bit causes a cold reset to occur throughout the AC '97 circuitry. All data in the controller and the codec will be lost. Software needs to clear this bit no sooner than the minimum number of ms have elapsed. 1 = This bit defaults to 0 and hence after reset, the driver needs to set this bit to a 1. The value of this bit is retained after suspends; hence, if this bit is set to a 1 prior to suspending, a cold reset is not generated automatically upon resuming.</p> <p><b>NOTE:</b> This bit is in the core well and is not affected by AC '97 Audio Function D3<sub>HOT</sub> to D0 reset.</p>
0	<p><b>GPI Interrupt Enable (GIE)</b> — R/W. This bit controls whether the change in status of any GPI causes an interrupt.</p> <p>0 = Bit 0 of the Global Status register is set, but no interrupt is generated. 1 = The change in value of a GPI causes an interrupt and sets bit 0 of the Global Status register.</p> <p><b>NOTE:</b> This bit is not affected by AC '97 Audio Function D3<sub>HOT</sub> to D0 reset.</p>

**NOTE:** Reads across DWord boundaries are not supported.



## 16.2.9 GLOB\_STA—Global Status Register (Audio—D30:F2)

I/O Address: NABMBAR + 30h Attribute: RO, R/W, R/WC  
 Default Value: 00x0xxx01110000000000xxxx00xxxb Size: 32 bits  
 Lockable: No Power Well: Core

Bit	Description
31:30	Reserved.
29	<p><b>ACZ_SDIN2 Resume Interrupt (S2RI)</b> — R/WC. This bit indicates a resume event occurred on ACZ_SDIN2. Software clears this bit by writing a 1 to it.</p> <p>0 = Resume event did Not occur.            1 = Resume event occurred.</p> <p><b>NOTE:</b> This bit is not affected by D3<sub>HOT</sub> to D0 Reset.</p>
28	<p><b>ACZ_SDIN2 Codec Ready (S2CR)</b> — RO. Reflects the state of the codec ready bit on ACZ_SDIN2. Bus masters ignore the condition of the codec ready bits, so software must check this bit before starting the bus masters. Once the codec is “ready”, it must not go “not ready” spontaneously.</p> <p>0 = Not Ready.            1 = Ready.</p>
27	<p><b>Bit Clock Stopped (BCS)</b> — RO. This bit indicates that the bit clock is not running.</p> <p>0 = Transition is found on BIT_CLK.            1 = Intel® ICH7 detected that there has been no transition on BIT_CLK for four consecutive PCI clocks.</p>
26	<p><b>S/PDIF Interrupt (SPINT)</b> — RO.</p> <p>0 = When the specific status bit is cleared, this bit will be cleared.            1 = S/PDIF out channel interrupt status bits have been set.</p>
25	<p><b>PCM In 2 Interrupt (P2INT)</b> — RO.</p> <p>0 = When the specific status bit is cleared, this bit will be cleared.            1 = One of the PCM In 2 channel status bits have been set.</p>
24	<p><b>Microphone 2 In Interrupt (M2INT)</b> — RO.</p> <p>0 = When the specific status bit is cleared, this bit will be cleared.            1 = One of the Mic in channel interrupts status bits has been set.</p>
23:22	<p><b>Sample Capabilities</b> — RO. This field indicates the capability to support greater than 16-bit audio.</p> <p>00 = Reserved            01 = 16 and 20-bit Audio supported (ICH7 value)            10 = Reserved            11 = Reserved</p>
21:20	<p><b>Multichannel Capabilities</b>— RO. This field indicates the capability to support more 4 and 6 channels on PCM Out.</p>
19:18	Reserved.
17	<p><b>MD3</b> — R/W. Power down semaphore for Modem. This bit exists in the suspend well and maintains context across power states (except G3). The bit has no hardware function. It is used by software in conjunction with the AD3 bit to coordinate the entry of the two codecs into D3 state.</p> <p><b>NOTE:</b> This bit is not affected by D3<sub>HOT</sub> to D0 Reset.</p>



Bit	Description
16	<p><b>AD3</b> — R/W. Power down semaphore for Audio. This bit exists in the suspend well and maintains context across power states (except G3). The bit has no hardware function. It is used by software in conjunction with the MD3 bit to coordinate the entry of the two codecs into D3 state.</p> <p><b>NOTE:</b> This bit is not affected by D3<sub>HOT</sub> to D0 Reset.</p>
15	<p><b>Read Completion Status (RCS)</b> — R/WC. This bit indicates the status of codec read completions.</p> <p>0 = A codec read completes normally. 1 = A codec read results in a time-out. The bit remains set until being cleared by software writing a 1 to the bit location.</p> <p><b>NOTE:</b> This bit is not affected by D3<sub>HOT</sub> to D0 Reset.</p>
14	<b>Bit 3 of Slot 12</b> — RO. Display bit 3 of the most recent slot 12.
13	<b>Bit 2 of Slot 12</b> — RO. Display bit 2 of the most recent slot 12.
12	<b>Bit 1 of slot 12</b> — RO. Display bit 1 of the most recent slot 12.
11	<p><b>ACZ_SDIN1 Resume Interrupt (S1R1)</b> — R/WC. This bit indicates that a resume event occurred on ACZ_SDIN1. Software clears this bit by writing a 1 to it.</p> <p>0 = Resume event did Not occur 1 = Resume event occurred.</p> <p><b>NOTE:</b> This bit is not affected by D3<sub>HOT</sub> to D0 Reset.</p>
10	<p><b>ACZ_SDIN1 Resume Interrupt (S1R1)</b> — R/WC. This bit indicates that a resume event occurred on ACZ_SDIN1. Software clears this bit by writing a 1 to it.</p> <p>0 = Resume event did Not occur 1 = Resume event occurred.</p> <p><b>NOTE:</b> This bit is not affected by D3<sub>HOT</sub> to D0 Reset.</p>
9	<p><b>ACZ_SDINO Codec Ready (SOCR)</b> — RO. Reflects the state of the codec ready bit in ACZ_SDINO. Bus masters ignore the condition of the codec ready bits, so software must check this bit before starting the bus masters. Once the codec is “ready”, it must not go “not ready” spontaneously.</p> <p>0 = Not Ready. 1 = Ready.</p>
8	<p><b>ACZ_SDINO Codec Ready (SOCR)</b> — RO. Reflects the state of the codec ready bit in ACZ_SDINO. Bus masters ignore the condition of the codec ready bits, so software must check this bit before starting the bus masters. Once the codec is “ready”, it must not go “not ready” spontaneously.</p> <p>0 = Not Ready. 1 = Ready.</p>
7	<p><b>Microphone In Interrupt (MINT)</b> — RO.</p> <p>0 = When the specific status bit is cleared, this bit will be cleared. 1 = One of the Mic in channel interrupts status bits has been set.</p>
6	<p><b>PCM Out Interrupt (POINT)</b> — RO.</p> <p>0 = When the specific status bit is cleared, this bit will be cleared. 1 = One of the PCM out channel interrupts status bits has been set.</p>
5	<p><b>PCM In Interrupt (PIINT)</b> — RO.</p> <p>0 = When the specific status bit is cleared, this bit will be cleared. 1 = One of the PCM in channel interrupts status bits has been set.</p>
4:3	Reserved



Bit	Description
2	<b>Modem Out Interrupt (MOINT)</b> — RO. 0 = When the specific status bit is cleared, this bit will be cleared. 1 = One of the modem out channel interrupts status bits has been set.
1	<b>Modem In Interrupt (MIINT)</b> — RO. 0 = When the specific status bit is cleared, this bit will be cleared. 1 = One of the modem in channel interrupts status bits has been set.
0	<b>GPI Status Change Interrupt (GSCI)</b> — R/WC. 0 = Software clears this bit by writing a 1 to it. 1 = This bit reflects the state of bit 0 in slot 12, and is set when bit 0 of slot 12 is set. This indicates that one of the GPI's has changed state, and that the new values are available in slot 12. This bit is not affected by AC '97 Audio Function D3 <sub>HOT</sub> to D0 Reset.

**NOTE:** Reads across DWord boundaries are not supported.

### 16.2.10 CAS—Codec Access Semaphore Register (Audio—D30:F2)

I/O Address: NABMBAR + 34h      Attribute: R/W (special)  
 Default Value: 00h      Size: 8 bits  
 Lockable: No      Power Well: Core

Bit	Description
7:1	Reserved.
0	<b>Codec Access Semaphore (CAS)</b> — R/W (special). This bit is read by software to check whether a codec access is currently in progress. 0 = No access in progress. 1 = The act of reading this register sets this bit to 1. The driver that read this bit can then perform an I/O access. Once the access is completed, hardware automatically clears this bit.

**NOTE:** Reads across DWord boundaries are not supported.



### 16.2.11 SDM—SDATA\_IN Map Register (Audio—D30:F2)

I/O Address: NABMBAR + 80h      Attribute: R/W, RO  
 Default Value: 00h      Size: 8 bits  
 Lockable: No      Power Well: Core

Bit	Description
7:6	<b>PCM In 2, Microphone In 2 Data In Line (DI2L)</b> — R/W. When the SE bit is set, these bits indicates which ACZ_SDIN line should be used by the hardware for decoding the input slots for PCM In 2 and Microphone In 2. When the SE bit is cleared, the value of these bits are irrelevant, and PCM In 2 and Mic In 2 DMA engines are not available. 00 = ACZ_SDIN0 01 = ACZ_SDIN1 10 = ACZ_SDIN2 11 = Reserved
5:4	<b>PCM In 1, Microphone In 1 Data In Line (DI1L)</b> — R/W. When the SE bit is set, these bits indicates which ACZ_SDIN line should be used by the hardware for decoding the input slots for PCM In 1 and Microphone In 1. When the SE bit is cleared, the value of these bits are irrelevant, and the PCM In 1 and Mic In 1 engines use the OR'd ACZ_SDIN lines. 00 = ACZ_SDIN0 01 = ACZ_SDIN1 10 = ACZ_SDIN2 11 = Reserved
3	<b>Steer Enable (SE)</b> — R/W. When set, the ACZ_SDIN lines are treated separately and not OR'd together before being sent to the DMA engines. When cleared, the ACZ_SDIN lines are OR'd together, and the "Microphone In 2" and "PCM In 2" DMA engines are not available.
2	Reserved — RO.
1:0	<b>Last Codec Read Data Input (LDI)</b> — RO. When a codec register is read, this indicates which ACZ_SDIN the read data returned on. Software can use this to determine how the codecs are mapped. The values are: 00 = ACZ_SDIN0 01 = ACZ_SDIN1 10 = ACZ_SDIN2 11 = Reserved

**NOTE:** Reads across DWord boundaries are not supported.

§





# 17 AC '97 Modem Controller Registers (D30:F3) (Desktop and Mobile Only)

**Note:** AC '97 is not supported on ICH7-U Ultra Mobile.

## 17.1 AC '97 Modem PCI Configuration Space (D30:F3)

**Note:** Registers that are not shown should be treated as Reserved.

Table 17-1. AC '97 Modem PCI Register Address Map (Modem—D30:F3)

Offset	Mnemonic	Register	Default	Access
00h–01h	VID	Vendor Identification	8086	RO
02h–03h	DID	Device Identification	See register description	RO
04h–05h	PCICMD	PCI Command	0000h	R/W, RO
06h–07h	PCISTS	PCI Status	0290h	R/WC, RO
08h	RID	Revision Identification	See register description	RO
09h	PI	Programming Interface	00h	RO
0Ah	SCC	Sub Class Code	03h	RO
0Bh	BCC	Base Class Code	07h	RO
0Eh	HEADTYP	Header Type	00h	RO
10h–13h	MMBAR	Modem Mixer Base Address	00000001h	R/W, RO
14h–17h	MBAR	Modem Base Address	00000001h	R/W, RO
2Ch–2Dh	SVID	Subsystem Vendor Identification	0000h	R/WO
2Eh–2Fh	SID	Subsystem Identification	0000h	R/WO
34h	CAP_PTR	Capabilities Pointer	50h	RO
3Ch	INT_LN	Interrupt Line	00h	R/W
3Dh	INT_PN	Interrupt Pin	See register description	RO
50h–51h	PID	PCI Power Management Capability ID	0001h	RO
52h–53h	PC	Power Management Capabilities	C9C2h	RO
54h–55h	PCS	Power Management Control and Status	0000h	R/W, R/WC

**Note:** Internal reset as a result of D3<sub>HOT</sub> to D0 transition will reset all the core well registers except the following BIOS programmed registers as BIOS may not be invoked following the D3-to-D0 transition. All resume well registers will not be reset by the D3<sub>HOT</sub> to D0 transition.

Core well registers **not** reset by the D3<sub>HOT</sub> to D0 transition:

- offset 2Ch–2Dh – Subsystem Vendor ID (SVID)
- offset 2Eh–2Fh – Subsystem ID (SID)

Resume well registers **will not** be reset by the D3<sub>HOT</sub> to D0 transition:

- offset 54h–55h – Power Management Control and Status (PCS)



### 17.1.1 VID—Vendor Identification Register (Modem—D30:F3)

Address Offset: 00h–01h                      Attribute: RO  
 Default Value: 8086                          Size: 16 Bits  
 Lockable: No                                  Power Well: Core

Bit	Description
15:0	Vendor ID — RO. This is a 16-bit value assigned to Intel.

### 17.1.2 DID—Device Identification Register (Modem—D30:F3)

Address Offset: 02h–03h                      Attribute: RO  
 Default Value: See bit description              Size: 16 Bits  
 Lockable: No                                  Power Well: Core

Bit	Description
15:0	Device ID — RO. This is a 16-bit value assigned to the Intel® ICH7 AC '97 Modem controller. Refer to the <i>Intel® I/O Controller Hub 7 (ICH7) Family Specification Update</i> for the value of the Device ID Register.

### 17.1.3 PCICMD—PCI Command Register (Modem—D30:F3)

Address Offset: 04h–05h                      Attribute: R/W, RO  
 Default Value: 0000h                          Size: 16 bits  
 Lockable: No                                  Power Well: Core

PCICMD is a 16-bit control register. Refer to the *PCI Local Bus Specification* for complete details on each bit.

Bit	Description
15:11	Reserved. Read 0.
10	<b>Interrupt Disable (ID)</b> — R/W. 0 = The INTx# signals may be asserted and MSIs may be generated. 1 = The AC '97 controller's INTx# signal will be de-asserted and it may not generate MSIs.
9	Fast Back to Back Enable (FBE) — RO. Not implemented. Hardwired to 0.
8	SERR# Enable (SERR_EN) — RO. Not implemented. Hardwired to 0.
7	Wait Cycle Control (WCC) — RO. Not implemented. Hardwired to 0.
6	Parity Error Response (PER) — RO. Not implemented. Hardwired to 0.
5	VGA Palette Snoop (VPS) — RO. Not implemented. Hardwired to 0.
4	Memory Write and Invalidate Enable (MWIE) — RO. Not implemented. Hardwired to 0.
3	Special Cycle Enable (SCE) — RO. Not implemented. Hardwired to 0.
2	<b>Bus Master Enable (BME)</b> — R/W. This bit controls standard PCI bus mastering capabilities. 0 = Disable 1 = Enable
1	Memory Space Enable (MSE) — RO. Hardwired to 0, AC '97 does not respond to memory accesses.
0	<b>I/O Space Enable (IOSE)</b> — R/W. This bit controls access to the I/O space registers. 0 = Disable access. (default = 0). 1 = Enable access to I/O space. The Native PCI Mode Base Address register should be programmed prior to setting this bit.





### 17.1.4 PCISTS—PCI Status Register (Modem—D30:F3)

Address Offset:	06h–07h	Attribute:	R/WC, RO
Default Value:	0290h	Size:	16 bits
Lockable:	No	Power Well:	Core

PCISTS is a 16-bit status register. Refer to the *PCI Local Bus Specification* for complete details on each bit.

**Note:** For the writable bits, software must write a 1 to clear bits that are set. Writing a 0 to the bit has no effect.

Bit	Description
15	Detected Parity Error (DPE) — RO. Not implemented. Hardwired to 0.
14	Signaled System Error (SSE) —RO. Not implemented. Hardwired to 0.
13	<b>Master Abort Status (MAS)</b> — R/WC. 0 = Master abort Not generated by bus master AC '97 function. 1 = Bus Master AC '97 interface function, as a master, generates a master abort.
12	Reserved. Read as 0.
11	Signaled Target Abort (STA) — RO. Not implemented. Hardwired to 0.
10:9	DEVSEL# Timing Status (DEV_STS) — RO. This 2-bit field reflects the ICH7's DEVSEL# timing parameter. These read only bits indicate the ICH7's DEVSEL# timing when performing a positive decode.
8	Data Parity Error Detected (DPED) — RO. Not implemented. Hardwired to 0.
7	Fast Back to Back Capable (FB2BC) — RO. Hardwired to 1. This bit indicates that the ICH7 as a target is capable of fast back-to-back transactions.
6	User Definable Features (UDF) — RO. Not implemented. Hardwired to 0.
5	66 MHz Capable (66MHZ_CAP) — RO. Hardwired to 0.
4	Capabilities List (CAP_LIST) — RO. Indicates that the controller contains a capabilities pointer list. The first item is pointed to by looking at configuration offset 34h.
3	<b>Interrupt Status (INTS)</b> — RO. 0 = This bit is 0 after the interrupt is cleared. 1 = This bit is 1 when the INTx# is asserted.
2:0	Reserved





### 17.1.10 MMBAR—Modem Mixer Base Address Register (Modem—D30:F3)

Address Offset: 10–13h                      Attribute: R/W, RO  
 Default Value: 00000001h                  Size: 32 bits

The Native PCI Mode Modem uses PCI Base Address register #1 to request a contiguous block of I/O space that is to be used for the Modem Mixer software interface. The mixer requires 256 bytes of I/O space. All accesses to the mixer registers are forwarded over the AC-link to the codec where the registers reside.

In the case of the split codec implementation accesses to the different codecs are differentiated by the controller by using address offsets 00h–7Fh for the primary codec and address offsets 80h–FEh for the secondary codec.

Bit	Description
31:16	Hardwired to 0's.
15:8	<b>Base Address</b> — R/W. These bits are used in the I/O space decode of the Modem interface registers. The number of upper bits that a device actually implements depends on how much of the address space the device will respond to. For the AC '97 Modem, the upper 16 bits are hardwired to 0, while bits 15:8 are programmable. This configuration yields a maximum I/O block size of 256 bytes for this base address.
7:1	Reserved. Read as 0
0	Resource Type Indicator (RTE) — RO. Hardwired to 1 indicating a request for I/O space.

### 17.1.11 MBAR—Modem Base Address Register (Modem—D30:F3)

Address Offset: 14h–17h                      Attribute: R/W, RO  
 Default Value: 00000001h                  Size: 32 bits

The Modem function uses PCI Base Address register #1 to request a contiguous block of I/O space that is to be used for the Modem software interface. The Modem Bus Mastering register space requires 128 bytes of I/O space. All Modem registers reside in the controller, therefore cycles are **not** forwarded over the AC-link to the codec.

Bit	Description
31:16	Hardwired to 0's.
15:7	<b>Base Address</b> — R/W. These bits are used in the I/O space decode of the Modem interface registers. The number of upper bits that a device actually implements depends on how much of the address space the device will respond to. For the AC '97 Modem, the upper 16 bits are hardwired to 0, while bits 15:7 are programmable. This configuration yields a maximum I/O block size of 128 bytes for this base address.
6:1	Reserved. Read as 0
0	Resource Type Indicator (RTE) — RO. Hardwired to 1 indicating a request for I/O space.



### 17.1.12 SVID—Subsystem Vendor Identification Register (Modem—D30:F3)

Address Offset:	2Ch–2Dh	Attribute:	R/WO
Default Value:	0000h	Size:	16 bits
Lockable:	No	Power Well:	Core

The SVID register, in combination with the Subsystem ID register, enable the operating environment to distinguish one audio subsystem from the other(s). This register is implemented as write-once register. Once a value is written to it, the value can be read back. Any subsequent writes will have no effect.

This register is not affected by the D3<sub>HOT</sub> to D0 transition.

Bit	Description
15:0	<b>Subsystem Vendor ID</b> — R/WO.

### 17.1.13 SID—Subsystem Identification Register (Modem—D30:F3)

Address Offset:	2Eh–2Fh	Attribute:	R/WO
Default Value:	0000h	Size:	16 bits
Lockable:	No	Power Well:	Core

The SID register, in combination with the Subsystem Vendor ID register make it possible for the operating environment to distinguish one audio subsystem from another. This register is implemented as write-once register. Once a value is written to it, the value can be read back. Any subsequent writes will have no effect.

This register is not affected by the D3<sub>HOT</sub> to D0 transition.

Bit	Description
15:0	<b>Subsystem ID</b> — R/WO.

### 17.1.14 CAP\_PTR—Capabilities Pointer Register (Modem—D30:F3)

Address Offset:	34h	Attribute:	RO
Default Value:	50h	Size:	8 bits
Lockable:	No	Power Well:	Core

This register indicates the offset for the capability pointer.

Bit	Description
7:0	Capabilities Pointer (CAP_PTR) — RO. This field indicates that the first capability pointer offset is offset 50h







## 17.2 AC '97 Modem I/O Space (D30:F3)

In the case of the split codec implementation accesses to the modem mixer registers in different codecs are differentiated by the controller by using address offsets 00h–7Fh for the primary codec and address offsets 80h–FEh for the secondary codec. Table 17-2 shows the register addresses for the modem mixer registers.

**Table 17-2. Intel® ICH7 Modem Mixer Register Configuration**

Register		MMBAR Exposed Registers (D30:F3)
Primary	Secondary	Name
00h: 38h	80h: B8h	Intel RESERVED
3Ch	BCh	Extended Modem ID
3Eh	BEh	Extended Modem Stat/Ctrl
40h	C0h	Line 1 DAC/ADC Rate
42h	C2h	Line 2 DAC/ADC Rate
44h	C4h	Handset DAC/ADC Rate
46h	C6h	Line 1 DAC/ADC Level Mute
48h	C8h	Line 2 DAC/ADC Level Mute
4Ah	CAh	Handset DAC/ADC Level Mute
4Ch	CCh	GPIO Pin Config
4Eh	CEh	GPIO Polarity/Type
50h	D0h	GPIO Pin Sticky
52h	D2h	GPIO Pin Wake Up
54h	D4h	GPIO Pin Status
56h	D6h	Misc. Modem AFE Stat/Ctrl
58h	D8h	AC '97 Reserved
5Ah	DAh	Vendor Reserved
7Ch	FCh	Vendor ID1
7Eh	FEh	Vendor ID2

### NOTES:

1. Registers in italics are for functions not supported by the ICH7
2. Software should not try to access reserved registers
3. The ICH7 supports a modem codec connected to ACZ\_SDIN[2:0], as long as the Codec ID is 00 or 01. However, the ICH7 does not support more than one modem codec.

The Global Control (GLOB\_CNT) and Global Status (GLOB\_STA) registers are aliased to the same global registers in the audio and modem I/O space. Therefore a read/write to these registers in either audio or modem I/O space affects the same physical register. Software could access these registers as bytes, word, DWord quantities, but reads must not cross DWord boundaries.

These registers exist in I/O space and reside in the AC '97 controller. The two channels, Modem in and Modem out, each have their own set of Bus Mastering registers. The following register descriptions apply to both channels. The naming prefix convention used is as follows:

MI = Modem in channel

MO = Modem out channel



Table 17-3. Modem Registers

Offset	Mnemonic	Name	Default	Access
00h–03h	MI_BDBAR	Modem In Buffer Descriptor List Base Address	00000000h	R/W
04h	MI_CIV	Modem In Current Index Value	00h	RO
05h	MI_LVI	Modem In Last Valid Index	00h	R/W
06h–07h	MI_SR	Modem In Status	0001h	R/WC, RO
08h–09h	MI_PICB	Modem In Position In Current Buffer	0000h	RO
0Ah	MI_PIV	Modem In Prefetch Index Value	00h	RO
0Bh	MI_CR	Modem In Control	00h	R/W, R/W (special)
10h–13h	MO_BDBAR	Modem Out Buffer Descriptor List Base Address	00000000h	R/W
14h	MO_CIV	Modem Out Current Index Value	00h	RO
15h	MO_LVI	Modem Out Last Valid	00h	R/W
16h–17h	MO_SR	Modem Out Status	0001h	R/WC, RO
18h–19h	MI_PICB	Modem In Position In Current Buffer	0000h	RO
1Ah	MO_PIV	Modem Out Prefetched Index	00h	RO
1Bh	MO_CR	Modem Out Control	00h	R/W, R/W (special)
3Ch–3Fh	GLOB_CNT	Global Control	00000000h	R/W, R/W (special)
40h–43h	GLOB_STA	Global Status	00300000h	RO, R/W, R/WC
44h	CAS	Codec Access Semaphore	00h	R/W (special)

**NOTE:**

- MI = Modem in channel; MO = Modem out channel

**Note:**

Internal reset as a result of D3<sub>HOT</sub> to D0 transition will reset all the core well registers except the registers shared with the AC '97 audio controller (GCR, GSR, CASR). All resume well registers will not be reset by the D3<sub>HOT</sub> to D0 transition.

Core well registers and bits **not** reset by the D3<sub>HOT</sub> to D0 transition:

- offset 3Ch–3Fh – bits [6:0] Global Control (GLOB\_CNT)
- offset 40h–43h – bits [29,15,11:10] Global Status (GLOB\_STA)
- offset 44h – Codec Access Semaphore Register (CAS)

Resume well registers and bits **will not** be reset by the D3<sub>HOT</sub> to D0 transition:

- offset 40h–43h – bits [17:16] Global Status (GLOB\_STA)





### 17.2.1 x\_BDBAR—Buffer Descriptor List Base Address Register (Modem—D30:F3)

I/O Address:	MBAR + 00h (MIBDBAR), MBAR + 10h (MOBDBAR)	Attribute:	R/W
Default Value:	00000000h	Size:	32bits
Lockable:	No	Power Well:	Core

Software can read the register at offset 00h by performing a single, 32-bit read from address offset 00h. Reads across DWord boundaries are not supported.

Bit	Description
31:3	<b>Buffer Descriptor List Base Address [31:3]</b> — R/W. These bits represent address bits 31:3. The entries should be aligned on 8-byte boundaries.
2:0	Hardwired to 0.

### 17.2.2 x\_CIV—Current Index Value Register (Modem—D30:F3)

I/O Address:	MBAR + 04h (MICIV), MBAR + 14h (MOCIV),	Attribute:	RO
Default Value:	00h	Size:	8bits
Lockable:	No	Power Well:	Core

Software can read the registers at offsets 04h, 05h and 06h simultaneously by performing a single, 32-bit read from address offset 04h. Software can also read this register individually by doing a single, 8-bit read to offset 04h. Reads across DWord boundaries are not supported.

Bit	Description
7:5	Hardwired to 0.
4:0	<b>Current Index Value [4:0]</b> — RO. These bits represent which buffer descriptor within the list of 16 descriptors is being processed currently. As each descriptor is processed, this value is incremented.

### 17.2.3 x\_LVI—Last Valid Index Register (Modem—D30:F3)

I/O Address:	MBAR + 05h (MILVI), MBAR + 15h (MOLVI)	Attribute:	R/W
Default Value:	00h	Power Well:	Core

Software can read the registers at offsets 04h, 05h and 06h simultaneously by performing a single, 32-bit read from address offset 04h. Software can also read this register individually by doing a single, 8-bit read to offset 05h. Reads across DWord boundaries are not supported.

Bit	Description
7:5	Hardwired to 0
4:0	<b>Last Valid Index [4:0]</b> — R/W. These bits indicate the last valid descriptor in the list. This value is updated by the software as it prepares new buffers and adds to the list.



### 17.2.4 x\_SR—Status Register (Modem—D30:F3)

I/O Address:	MBAR + 06h (MISR), MBAR + 16h (MOSR)	Attribute:	R/WC, RO
Default Value:	0001h	Size:	16 bits
Lockable:	No	Power Well:	Core

Software can read the registers at offsets 04h, 05h and 06h simultaneously by performing a single, 32-bit read from address offset 04h. Software can also read this register individually by doing a single, 16-bit read to offset 06h. Reads across DWord boundaries are not supported.

Bit	Description
15:5	Reserved
4	<p><b>FIFO Error (FIFOE)</b> — R/WC.            0 = Software clears this bit by writing a 1 to it.            1 = FIFO error occurs.</p> <p><b>Modem in:</b> FIFO error indicates a FIFO overrun. The FIFO pointers don't increment, the incoming data is not written into the FIFO, thereby being lost.</p> <p><b>Modem out:</b> FIFO error indicates a FIFO underrun. The sample transmitted in this case should be the last valid sample.</p> <p>The Intel® ICH7 will set the FIFOE bit if the under-run or overrun occurs when there are more valid buffers to process.</p>
3	<p><b>Buffer Completion Interrupt Status (BCIS)</b> — R/WC.            0 = Software clears this bit by writing a 1 to it.            1 = Set by the hardware after the last sample of a buffer has been processed, AND if the Interrupt on Completion (IOC) bit is set in the command byte of the buffer descriptor. Remains active until software clears bit.</p>
2	<p><b>Last Valid Buffer Completion Interrupt (LVBCI)</b> — R/WC.            0 = Software clears this bit by writing a 1 to it.            1 = Set by hardware when last valid buffer has been processed. It remains active until cleared by software. This bit indicates the occurrence of the event signified by the last valid buffer being processed. Thus, this is an event status bit that can be cleared by software once this event has been recognized. This event will cause an interrupt if the enable bit in the Control Register is set. The interrupt is cleared when the software clears this bit.</p> <p>In the case of transmits (PCM out, Modem out) this bit is set, after the last valid buffer has been fetched (not after transmitting it). While in the case of Receives, this bit is set after the data for the last buffer has been written to memory.</p>
1	<p><b>Current Equals Last Valid (CELV)</b> — RO.            0 = Hardware clears when controller exists state (i.e., until a new value is written to the LVI register).            1 = Current Index is equal to the value in the Last Valid Index Register, AND the buffer pointed to by the CIV has been processed (i.e., after the last valid buffer has been processed). This bit is very similar to bit 2, except, this bit reflects the state rather than the event. This bit reflects the state of the controller, and remains set until the controller exits this state.</p>
0	<p><b>DMA Controller Halted (DCH)</b> — RO.            0 = Running.            1 = Halted. This could happen because of the Start/Stop bit being cleared and the DMA engines are idle, or it could happen once the controller has processed the last valid buffer.</p>



### 17.2.5 x\_PICB—Position in Current Buffer Register (Modem—D30:F3)

I/O Address: MBAR + 08h (MIPICB), Attribute: RO  
 MBAR + 18h (MOPICB),  
 Default Value: 0000h Size: 16 bits  
 Lockable: No Power Well: Core

Software can read the registers at the offsets 08h, 0Ah, and 0Bh by performing a 32-bit read from the address offset 08h. Software can also read this register individually by doing a single, 16-bit read to offset 08h. Reads across DWord boundaries are not supported.

Bit	Description
15:0	<b>Position In Current Buffer[15:0]</b> — RO. These bits represent the number of samples left to be processed in the current buffer.

### 17.2.6 x\_PIV—Prefetch Index Value Register (Modem—D30:F3)

I/O Address: MBAR + 0Ah (MIPIV), Attribute: RO  
 MBAR + 1Ah (MOPIV)  
 Default Value: 00h Size: 8 bits  
 Lockable: No Power Well: Core

Software can read the registers at the offsets 08h, 0Ah, and 0Bh by performing a 32-bit read from the address offset 08h. Software can also read this register individually by doing a single, 8-bit read to offset 0Ah. Reads across DWord boundaries are not supported.

Bit	Description
7:5	Hardwired to 0
4:0	<b>Prefetched Index Value [4:0]</b> — RO. These bits represent which buffer descriptor in the list has been prefetched.

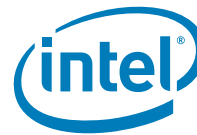


### 17.2.7 x\_CR—Control Register (Modem—D30:F3)

I/O Address:	MBAR + 0Bh (MICR), MBAR + 1Bh (MOCR)	Attribute:	R/W, R/W (special)
Default Value:	00h	Size:	8 bits
Lockable:	No	Power Well:	Core

Software can read the registers at the offsets 08h, 0Ah, and 0Bh by performing a 32-bit read from the address offset 08h. Software can also read this register individually by doing a single, 8-bit read to offset 0Bh. Reads across DWord boundaries are not supported.

Bit	Description
7:5	Reserved
4	<b>Interrupt on Completion Enable (IOCE)</b> — R/W. This bit controls whether or not an interrupt occurs when a buffer completes with the IOC bit set in its descriptor. 0 = Disable 1 = Enable
3	<b>FIFO Error Interrupt Enable (FEIE)</b> — R/W. This bit controls whether the occurrence of a FIFO error will cause an interrupt or not. 0 = Disable. Bit 4 in the Status Register will be set, but the interrupt will not occur. 1 = Enable. Interrupt will occur
2	<b>Last Valid Buffer Interrupt Enable (LVBIE)</b> — R/W. This bit controls whether the completion of the last valid buffer will cause an interrupt or not. 0 = Disable. Bit 2 in the Status register will still be set, but the interrupt will not occur. 1 = Enable
1	<b>Reset Registers (RR)</b> — R/W (special). 0 = Removes reset condition. 1 = Contents of all registers to be reset, except the interrupt enable bits (bit 4,3,2 of this register). Software needs to set this bit. It must be set only when the Run/Pause bit is cleared. Setting it when the Run bit is set will cause undefined consequences. This bit is self-clearing (software needs not clear it).
0	<b>Run/Pause Bus Master (RPBM)</b> — R/W. 0 = Pause bus master operation. This results in all state information being retained (i.e., master mode operation can be stopped and then resumed). 1 = Run. Bus master operation starts.

**17.2.8 GLOB\_CNT—Global Control Register (Modem—D30:F3)**

I/O Address:	MBAR + 3Ch	Attribute:	R/W, R/W (special)
Default Value:	00000000h	Size:	32 bits
Lockable:	No	Power Well:	Core

Bit	Description
31:5	Reserved.
6	<b>ACZ_SDIN2 Interrupt Enable (S2RE)</b> — R/W. 0 = Disable. 1 = Enable an interrupt to occur when the codec on the ACZ_SDIN2 causes a resume event on the AC-link.
5	<b>ACZ_SDIN1 Resume Interrupt Enable (S1RE)</b> — R/W. 0 = Disable. 1 = Enable an interrupt to occur when the codec on the ACZ_SDIN1 causes a resume event on the AC-link.
4	<b>ACZ_SDIN0 Resume Interrupt Enable (S0RE)</b> — R/W. 0 = Disable. 1 = Enable an interrupt to occur when the codec on ACZ_SDIN0 causes a resume event on the AC-link.
3	<b>AC-LINK Shut Off (LSO)</b> — R/W. 0 = Normal operation. 1 = Controller disables all outputs which will be pulled low by internal pull down resistors.
2	<b>AC '97 Warm Reset</b> — R/W (special). 0 = Normal operation. 1 = Writing a 1 to this bit causes a warm reset to occur on the AC-link. The warm reset will awaken a suspended codec without clearing its internal registers. If software attempts to perform a warm reset while bit_clk is running, the write will be ignored and the bit will not change. This bit is self-clearing (it remains set until the reset completes and bit_clk is seen on the AC-link, after which it clears itself).
1	<b>AC '97 Cold Reset#</b> — R/W. 0 = Writing a 0 to this bit causes a cold reset to occur throughout the AC '97 circuitry. All data in the controller and the codec will be lost. Software needs to clear this bit no sooner than the minimum number of ms have elapsed. 1 = This bit defaults to 0 and hence after reset, the driver needs to set this bit to a 1. The value of this bit is retained after suspends; hence, if this bit is set to a 1 prior to suspending, a cold reset is not generated automatically upon resuming.  <b>NOTE:</b> This bit is in the Core well.
0	<b>GPI Interrupt Enable (GIE)</b> — R/W. This bit controls whether the change in status of any GPI causes an interrupt. 0 = Bit 0 of the Global Status Register is set, but no interrupt is generated. 1 = The change on value of a GPI causes an interrupt and sets bit 0 of the Global Status Register.  <b>NOTE:</b> This bit is cleared by the AC '97 Modem function D3 <sub>HOT</sub> to D0 reset.

**Note:** Reads across DWord boundaries are not supported.



### 17.2.9 GLOB\_STA—Global Status Register (Modem—D30:F3)

I/O Address:	MBAR + 40h	Attribute:	RO, R/W, R/WC
Default Value:	00300000h	Size:	32 bits
Lockable:	No	Power Well:	Core

Bit	Description
31:30	Reserved.
29	<p><b>ACZ_SDIN2 Resume Interrupt (S2RI)</b> — R/WC. This bit indicates a resume event occurred on ACZ_SDIN2.</p> <p>0 = Software clears this bit by writing a 1 to it. 1 = Resume event occurred.</p> <p><b>NOTE:</b> This bit is not affected by D3<sub>HOT</sub> to D0 Reset.</p>
28	<p><b>ACZ_SDIN2 Codec Ready (S2CR)</b> — RO. This bit reflects the state of the codec ready bit on ACZ_SDIN2. Bus masters ignore the condition of the codec ready bits, so software must check this bit before starting the bus masters. Once the codec is “ready”, it must not go “not ready” spontaneously.</p> <p>0 = Not Ready. 1 = Ready.</p>
27	<p><b>Bit Clock Stopped (BCS)</b> — RO. This bit indicates that the bit clock is not running.</p> <p>0 = Transition is found on BIT_CLK. 1 = Intel® ICH7 detects that there has been no transition on BIT_CLK for four consecutive PCI clocks.</p>
26	<p><b>S/PDIF* Interrupt (SPINT)</b> — RO.</p> <p>0 = When the specific status bit is cleared, this bit will be cleared. 1 = S/PDIF out channel interrupt status bits have been set.</p>
25	<p><b>PCM In 2 Interrupt (P2INT)</b> — RO.</p> <p>0 = When the specific status bit is cleared, this bit will be cleared. 1 = One of the PCM In 2 channel status bits have been set.</p>
24	<p><b>Microphone 2 In Interrupt (M2INT)</b> — RO.</p> <p>0 = When the specific status bit is cleared, this bit will be cleared. 1 = One of the Mic in channel interrupts status bits has been set.</p>
23:22	<p>Sample Capabilities — RO. This field indicates the capability to support greater than 16-bit audio.</p> <p>00 = Reserved 01 = 16 and 20-bit Audio supported (ICH7 value) 10 = Reserved 11 = Reserved</p>
21:20	<p><b>Multichannel Capabilities</b> — RO. This field indicates the capability to support 4 and 6 channels on PCM Out.</p>
19:18	Reserved.
17	<p><b>MD3</b> — R/W. Power down semaphore for Modem. This bit exists in the suspend well and maintains context across power states (except G3). The bit has no hardware function. It is used by software in conjunction with the AD3 bit to coordinate the entry of the two codecs into D3 state.</p> <p><b>NOTE:</b> This bit is not affected by D3<sub>HOT</sub> to D0 Reset.</p>
16	<p><b>AD3</b> — R/W. Power down semaphore for Audio. This bit exists in the suspend well and maintains context across power states (except G3). The bit has no hardware function. It is used by software in conjunction with the MD3 bit to coordinate the entry of the two codecs into D3 state.</p> <p><b>NOTE:</b> This bit is not affected by D3<sub>HOT</sub> to D0 Reset.</p>



Bit	Description
15	<p><b>Read Completion Status (RCS)</b> — R/WC. This bit indicates the status of codec read completions. Software clears this bit by writing a 1 to it.</p> <p>0 = A codec read completes normally. 1 = A codec read results in a time-out.</p> <p><b>NOTE:</b> This bit is not affected by D3<sub>HOT</sub> to D0 Reset.</p>
14	<b>Bit 3 of Slot 12</b> — RO. Display bit 3 of the most recent slot 12.
13	<b>Bit 2 of Slot 12</b> — RO. Display bit 2 of the most recent slot 12.
12	<b>Bit 1 of Slot 12</b> — RO. Display bit 1 of the most recent slot 12.
11	<p><b>ACZ_SDIN1 Resume Interrupt (S1RI)</b> — R/WC. This bit indicates that a resume event occurred on ACZ_SDIN1. Software clears this bit by writing a 1 to it.</p> <p>0 = Resume event did Not occur. 1 = Resume event occurred.</p> <p><b>NOTE:</b> This bit is not affected by D3<sub>HOT</sub> to D0 Reset.</p>
10	<p><b>ACZ_SDIN0 Resume Interrupt (S0RI)</b> — R/WC. This bit indicates that a resume event occurred on ACZ_SDIN0. Software clears this bit by writing a 1 to it.</p> <p>0 = Resume event did Not occur. 1 = Resume event occurred.</p> <p><b>NOTE:</b> This bit is not affected by D3<sub>HOT</sub> to D0 Reset.</p>
9	<p><b>ACZ_SDIN1 Codec Ready (S1CR)</b> — RO. This bit reflects the state of the codec ready bit in ACZ_SDIN1. Bus masters ignore the condition of the codec ready bits, so software must check this bit before starting the bus masters. Once the codec is "ready", it must not go "not ready" spontaneously.</p> <p>0 = Not Ready. 1 = Ready.</p>
8	<p><b>ACZ_SDIN0 Codec Ready (S0CR)</b> — RO. This bit reflects the state of the codec ready bit in ACZ_SDIN 0. Bus masters ignore the condition of the codec ready bits, so software must check this bit before starting the bus masters. Once the codec is "ready", it must not go "not ready" spontaneously.</p> <p>0 = Not Ready. 1 = Ready.</p>
7	<p><b>Microphone In Interrupt (MINT)</b> — RO.</p> <p>0 = When the specific status bit is cleared, this bit will be cleared. 1 = One of the Mic in channel interrupts status bits has been set.</p>
6	<p><b>PCM Out Interrupt (POINT)</b> — RO.</p> <p>0 = When the specific status bit is cleared, this bit will be cleared. 1 = One of the PCM out channel interrupts status bits has been set.</p>
5	<p><b>PCM In Interrupt (PIINT)</b> — RO.</p> <p>0 = When the specific status bit is cleared, this bit will be cleared. 1 = One of the PCM in channel interrupts status bits has been set.</p>
4:3	Reserved



Bit	Description
2	<b>Modem Out Interrupt (MOINT)</b> — RO. 0 = When the specific status bit is cleared, this bit will be cleared. 1 = One of the modem out channel interrupts status bits has been set.
1	<b>Modem In Interrupt (MIINT)</b> — RO. 0 = When the specific status bit is cleared, this bit will be cleared. 1 = One of the modem in channel interrupts status bits has been set.
0	<b>GPI Status Change Interrupt (GSCI)</b> — R/WC. 0 = Software clears this bit by writing a 1 to it. 1 = This bit reflects the state of bit 0 in slot 12, and is set when bit 0 of slot 12 is set. This indicates that one of the GPI's changed state, and that the new values are available in slot 12.  <b>NOTE:</b> This bit is not affected by AC '97 Audio Modem function D3 <sub>HOT</sub> to D0 Reset.

**Note:** On reads from a codec, the controller will give the codec a maximum of four frames to respond, after which if no response is received, it will return a dummy read completion to the processor (with all F's on the data) and also set the Read Completion Status bit in the Global Status Register.

**Note:** Reads across DWord boundaries are not supported.

### 17.2.10 CAS—Codec Access Semaphore Register (Modem—D30:F3)

I/O Address:	NABMBAR + 44h	Attribute:	R/W (special)
Default Value:	00h	Size:	8 bits
Lockable:	No	Power Well:	Core

Bit	Description
7:1	Reserved
0	<b>Codec Access Semaphore (CAS)</b> — R/W (special). This bit is read by software to check whether a codec access is currently in progress. 0 = No access in progress. 1 = The act of reading this register sets this bit to 1. The driver that read this bit can then perform an I/O access. Once the access is completed, hardware automatically clears this bit.

**Note:** Reads across DWord boundaries are not supported.

§





# 18 PCI Express\* Configuration Registers (Desktop and Mobile Only)

**Note:** PCI Express is not supported on ICH7-U Ultra Mobile.

## 18.1 PCI Express\* Configuration Registers (PCI Express—D28:F0/F1/F2/F3/F4/F5)

**Note:** Register address locations that are not shown in Table 18-1 should be treated as Reserved.

**Table 18-1. PCI Express\* Configuration Registers Address Map (PCI Express—D28:F0/F1/F2/F3/F4/F5) (Sheet 1 of 2)**

Offset	Mnemonic	Register Name	Function 0–5 Default	Type
00h–01h	VID	Vendor Identification	8086h	RO
02h–03h	DID	Device Identification	See register description.	RO
04h–05h	PCICMD	PCI Command	0000h	R/W, RO
06h–07h	PCISTS	PCI Status	0010h	R/WC, RO
08h	RID	Revision Identification	See register description.	RO
09h	PI	Programming Interface	00h	RO
0Ah	SCC	Sub Class Code	04h	RO
0Bh	BCC	Base Class Code	06h	RO
0Ch	CLS	Cache Line Size	00h	R/W
0Dh	PLT	Primary Latency Timer	00h	RO
0Eh	HEADTYP	Header Type	81h	RO
18h–1Ah	BNUM	Bus Number	000000h	R/W
1Ch–1Dh	IOBL	I/O Base and Limit	0000h	R/W, RO
1Eh–1Fh	SSTS	Secondary Status	0000h	R/WC
20h–23h	MBL	Memory Base and Limit	00000000h	R/W
24h–27h	PMBL	Prefetchable Memory Base and Limit	00010001h	R/W, RO
28h–2Bh	PMBU32	Prefetchable Memory Base Upper 32 Bits	00000000h	R/W
2Ch–2Fh	PMLU32	Prefetchable Memory Limit Upper 32 Bits	00000000h	R/W
34h	CAPP	Capabilities List Pointer	40h	RO
3Ch–3Dh	INTR	Interrupt Information	See bit description	R/W, RO
3Eh–3Fh	BCTRL	Bridge Control	0000h	R/W
40h–41h	CLIST	Capabilities List	8010	RO
42h–43h	XCAP	PCI Express* Capabilities	0041	R/WO, RO
44h–47h	DCAP	Device Capabilities	00000FE0h	RO
48h–49h	DCTL	Device Control	0000h	R/W, RO
4Ah–4Bh	DSTS	Device Status	0010h	R/WC, RO



**Table 18-1. PCI Express\* Configuration Registers Address Map  
(PCI Express—D28:F0/F1/F2/F3/F4/F5) (Sheet 2 of 2)**

Offset	Mnemonic	Register Name	Function 0–5 Default	Type
4Ch–4Fh	LCAP	Link Capabilities	See bit description	R/W, RO, R/WO
50h–51h	LCTL	Link Control	0000h	R/W, WO, RO
52h–53h	LSTS	Link Status	See bit description	RO
54h–57h	SLCAP	Slot Capabilities Register	00000060h	R/WO, RO
58h–59h	SLCTL	Slot Control	0000h	R/W, RO
5Ah–5Bh	SLSTS	Slot Status	0000h	R/WC, RO
5Ch–5Dh	RCTL	Root Control	0000h	R/W
60h–63h	RSTS	Root Status	00000000h	R/WC, RO
80h–81h	MID	Message Signaled Interrupt Identifiers	9005h	RO
82h–83h	MC	Message Signaled Interrupt Message Control	0000h	R/W, RO
84h–87h	MA	Message Signaled Interrupt Message Address	00000000h	R/W
88h–89h	MD	Message Signaled Interrupt Message Data	0000h	R/W
90h–91h	SVCAP	Subsystem Vendor Capability	A00Dh	RO
94h–97h	SVID	Subsystem Vendor Identification	00000000h	R/WO
A0h–A1h	PMCAP	Power Management Capability	0001h	RO
A2h–A3h	PMC	PCI Power Management Capability	C802h	RO
A4–A7h	PMCS	PCI Power Management Control and Status	00000000h	R/W, RO
D8–DBh	MPC	Miscellaneous Port Configuration	00110000h	R/W
DC–DFh	SMSCS	SMI/SCI Status	00000000h	R/WC
E1h	RPDCGEN	Root Port Dynamic Clock Gating Enable (Mobile/Ultra Mobile Only)	00h	R/W
E2–E3h	IPWS	Intel® PRO/Wireless 3945ABG Status	0000h	RO
100–103h	VCH	Virtual Channel Capability Header	18010002h	RO
108h–10Bh	VCAP2	Virtual Channel Capability 2	00000001h	RO
10Ch–10Dh	PVC	Port Virtual Channel Control	0000h	R/W
10Eh–10Fh	PVS	Port Virtual Channel Status	0000h	RO
110h–113h	VOCAP	Virtual Channel 0 Resource Capability	00000001h	RO
114–117h	VOCTL	Virtual Channel 0 Resource Control	800000FFh	R/W, RO
11A–11Bh	VOSTS	Virtual Channel 0 Resource Status	0000h	RO
144h–147h	UES	Uncorrectable Error Status	See bit description	R/WC, RO
148h–14Bh	UEM	Uncorrectable Error Mask	00000000h	R/WO, RO
14Ch–14Fh	UEV	Uncorrectable Error Severity	00060011h	RO
150h–153h	CES	Correctable Error Status	00000000h	R/WC
154h–157h	CEM	Correctable Error Mask	00000000h	R/WO
158h–15Bh	AECC	Advanced Error Capabilities and Control	00000000h	RO
170h–173h	RES	Root Error Status	00000000h	R/WC, RO
180h–183h	RCTCL	Root Complex Topology Capability List	00010005h	RO
184h–187h	ESD	Element Self Description	See bit description	RO
190h–193h	ULD	Upstream Link Description	00000001h	RO
198h–19Fh	ULBA	Upstream Link Base Address	See bit description	RO
318h	PEETM	PCI Express Extended Test Mode Register	00h	RO













### 18.1.14 SSTS—Secondary Status Register (PCI Express—D28:F0/F1/F2/F3/F4/F5)

Address Offset: 1Eh–1Fh                      Attribute: R/WC  
 Default Value: 0000h                      Size: 16 bits

Bit	Description
15	<b>Detected Parity Error (DPE)</b> — R/WC. 0 = <b>No</b> error. 1 = The port received a poisoned TLP.
14	<b>Received System Error (RSE)</b> — R/WC. 0 = <b>No</b> error. 1 = The port received an ERR_FATAL or ERR_NONFATAL message from the device.
13	<b>Received Master Abort (RMA)</b> — R/WC. 0 = Unsupported Request <b>not</b> received. 1 = The port received a completion with “Unsupported Request” status from the device.
12	<b>Received Target Abort (RTA)</b> — R/WC. 0 = Completion Abort <b>not</b> received. 1 = The port received a completion with “Completion Abort” status from the device.
11	<b>Signaled Target Abort (STA)</b> — R/WC. 0 = Completion Abort <b>not</b> sent. 1 = The port generated a completion with “Completion Abort” status to the device.
10:9	Secondary DEVSEL# Timing Status (SDTS): Reserved per <i>PCI Express* Base Specification</i> .
8	<b>Data Parity Error Detected (DPD)</b> — R/WC. 0 = Conditions below did <b>not</b> occur. 1 = Set when the BCTRL.PERE (D28:F0/F1/F2/F3/F4/F5:3E: bit 0) is set, and either of the following two conditions occurs: — Port receives completion marked poisoned. — Port poisons a write request to the secondary side.
7	Secondary Fast Back to Back Capable (SFBC): Reserved per <i>PCI Express* Base Specification</i> .
6	Reserved
5	Secondary 66 MHz Capable (SC66). Reserved per <i>PCI Express* Base Specification</i> .
4:0	Reserved











### 18.1.21 BCTRL—Bridge Control Register (PCI Express—D28:F0/F1/F2/F3/F4/F5)

Address Offset: 3Eh–3Fh  
Default Value: 0000h

Attribute: R/W  
Size: 16 bits

Bit	Description
15:12	Reserved
11	Discard Timer SERR# Enable (DTSE). Reserved per <i>PCI Express* Base Specification</i> , Revision 1.0a
10	Discard Timer Status (DTS). Reserved per <i>PCI Express* Base Specification</i> , Revision 1.0a.
9	Secondary Discard Timer (SDT). Reserved per <i>PCI Express* Base Specification</i> , Revision 1.0a.
8	Primary Discard Timer (PDT). Reserved per <i>PCI Express* Base Specification</i> , Revision 1.0a.
7	Fast Back to Back Enable (FBE). Reserved per <i>PCI Express* Base Specification</i> , Revision 1.0a.
6	<b>Secondary Bus Reset (SBR)</b> — R/W. This bit triggers a hot reset on the PCI Express* port.
5	Master Abort Mode (MAM): Reserved per Express specification.
4	<b>VGA 16-Bit Decode (V16)</b> — R/W. 0 = VGA range is enabled. 1 = The I/O aliases of the VGA range (see BCTRL:VE definition below), are not enabled, and only the base I/O ranges can be decoded
3	<b>VGA Enable (VE)</b> — R/W. 0 = The ranges below will <b>not</b> be claimed off the backbone by the root port. 1 = The following ranges will be claimed off the backbone by the root port: — Memory ranges A0000h–BFFFFh — I/O ranges 3B0h – 3BBh and 3C0h – 3DFh, and all aliases of bits 15:10 in any combination of 1s
2	<b>ISA Enable (IE)</b> — R/W. This bit only applies to I/O addresses that are enabled by the I/O Base and I/O Limit registers and are in the first 64 KB of PCI I/O space. 0 = The root port will <b>not</b> block any forwarding from the backbone as described below. 1 = The root port will block any forwarding from the backbone to the device of I/O transactions addressing the last 768 bytes in each 1-KB block (offsets 100h to 3FFh).
1	<b>SERR# Enable (SE)</b> — R/W. 0 = The messages described below are <b>not</b> forwarded to the backbone. 1 = ERR_COR, ERR_NONFATAL, and ERR_FATAL messages received are forwarded to the backbone.
0	<b>Parity Error Response Enable (PERE)</b> — R/W. 0 = Poisoned write TLPs and completions indicating poisoned TLPs will <b>not</b> set the SSTS.DPD (D28:F0/F1/F2/F3/F4/F5:1E, bit 8). 1 = Poisoned write TLPs and completions indicating poisoned TLPs will set the SSTS.DPD (D28:F0/F1/F2/F3/F4/F5:1E, bit 8).





### 18.1.24 DCAP—Device Capabilities Register (PCI Express—D28:F0/F1/F2/F3/F4/F5)

Address Offset: 44h–47h                      Attribute: RO  
Default Value: 00000FE0h                      Size: 32 bits

Bit	Description
31:28	Reserved
27:26	<b>Captured Slot Power Limit Scale (CSPS)</b> — RO. Not supported.
25:18	<b>Captured Slot Power Limit Value (CSPV)</b> — RO. Not supported.
17:15	Reserved
14	<b>Power Indicator Present (PIP)</b> — RO. This bit indicates no power indicator is present on the root port.
13	<b>Attention Indicator Present (AIP)</b> — RO. This bit indicates no attention indicator is present on the root port.
12	<b>Attention Button Present (ABP)</b> — RO. This bit indicates no attention button is present on the root port.
11:9	<b>Endpoint L1 Acceptable Latency (E1AL)</b> — RO. This field indicates more than 4 $\mu$ s. This field essentially has no meaning for root ports since root ports are not endpoints.
8:6	<b>Endpoint L0 Acceptable Latency (E0AL)</b> — RO. This field indicates more than 64 $\mu$ s. This field essentially has no meaning for root ports since root ports are not endpoints.
5	<b>Extended Tag Field Supported (ETFS)</b> — RO. This bit indicates that 8-bit tag fields are supported.
4:3	<b>Phantom Functions Supported (PFS)</b> — RO. This field indicates No phantom functions supported.
2:0	<b>Max Payload Size Supported (MPS)</b> — RO. This field indicates the maximum payload size supported is 128B.





### 18.1.26 DSTS—Device Status Register (PCI Express—D28:F0/F1/F2/F3/F4/F5)

Address Offset: 4Ah–4Bh  
Default Value: 0010h

Attribute: R/WC, RO  
Size: 16 bits

Bit	Description
15:6	Reserved
5	<b>Transactions Pending (TDP)</b> — RO. This bit has no meaning for the root port since only one transaction may be pending to the Intel® ICH7, so a read of this bit cannot occur until it has already returned to 0.
4	<b>AUX Power Detected (APD)</b> — RO. The root port contains AUX power for wakeup.
3	<b>Unsupported Request Detected (URD)</b> — R/WC. This bit indicates an unsupported request was detected.
2	<b>Fatal Error Detected (FED)</b> — R/WC. This bit indicates a fatal error was detected. 0 = Fatal has <b>not</b> occurred. 1 = A fatal error occurred from a data link protocol error, link training error, buffer overflow, or malformed TLP.
1	<b>Non-Fatal Error Detected (NFED)</b> — R/WC. This bit indicates a non-fatal error was detected. 0 = Non-fatal has <b>not</b> occurred. 1 = A non-fatal error occurred from a poisoned TLP, unexpected completions, unsupported requests, completer abort, or completer timeout.
0	<b>Correctable Error Detected (CED)</b> — R/WC. This bit indicates a correctable error was detected. 0 = Correctable has <b>not</b> occurred. 1 = The port received an internal correctable error from receiver errors / framing errors, TLP CRC error, DLLP CRC error, replay num rollover, replay timeout.









Bit	Description
1:0	<b>Active State Link PM Control (APMC)</b> — R/W. This bit indicates whether the root port should enter L0s or L1 or both.
	<b>Bits</b> <b>Definition</b>
	00b      Disabled
	01b      L0s Entry is Enabled
	10b      L1 Entry is Enabled
11b      L0s and L1 Entry Enabled	

### 18.1.29 LSTS—Link Status Register (PCI Express—D28:F0/F1/F2/F3/F4/F5)

Address Offset: 52h–53h                      Attribute: RO  
 Default Value: See bit description              Size: 16 bits

Bit	Description
15:14	Reserved
13	<b>Data Link Layer Active (DLLA)</b> — RO. D 0 = Data Link Control and Management State Machine is not in the DL_Active state. (Default) 1 = Data Link Control and Management State Machine is in the DL_Active state.
12	Slot Clock Configuration (SCC) — RO. Set to 1b to indicate that the Intel® ICH7 uses the same reference clock as on the platform and does not generate its own clock.
11	<b>Link Training (LT)</b> — RO. 0 = Link training completed. (Default) 1 = Link training is occurring.
10	Link Training Error (LTE) — RO. Not supported. Set value is 0b.
9:4	<b>Negotiated Link Width (NLW)</b> — RO. This field indicates the negotiated width of the given PCI Express* link. The contents of this NLW field is undefined if the link has not successfully trained.
	<b>Port #</b> <b>Possible Values</b>
	1      000001b, 000010b, 000100b
	2      000001b
	3      000001b
	4      000001b
	5      000001b, 000010b
6      000001b	
<b>NOTE:</b> 000001b = x1 link width, 000010b = x2 linkwidth (not supported), 000100 = x4 linkwidth	
3:0	<b>Link Speed (LS)</b> — RO. This field indicates the negotiated Link speed of the given PCI Express* link. 01h = Link is 2.5 Gb/s.



### 18.1.30 SLCAP—Slot Capabilities Register (PCI Express—D28:F0/F1/F2/F3/F4/F5)

Address Offset: 54h–57h                      Attribute: R/WO, RO  
 Default Value: 00000060h                    Size: 32 bits

Bit	Description
31:19	<b>Physical Slot Number (PSN)</b> — R/WO. This is a value that is unique to the slot number. BIOS sets this field and it remains set until a platform reset.
18:17	Reserved
16:15	<b>Slot Power Limit Scale (SLS)</b> — R/WO. This field specifies the scale used for the slot power limit value. BIOS sets this field and it remains set until a platform reset. Range of Values: 00b = 1.0 x 01b = 0.1 x 10b = 0.01 x 11b = 0.001 x
14:7	<b>Slot Power Limit Value (SLV)</b> — R/WO. This field specifies the upper limit (in conjunction with SLS value), on the upper limit on power supplied by the slot. The two values together indicate the amount of power in watts allowed for the slot. Power limit (in Watts) is calculated by multiplying the value in this field by the value in the Slot Power Limit Scale field. BIOS sets this field and it remains set until a platform reset.
6	<b>Hot Plug Capable (HPC)</b> — RO. 1b = Hot-Plug is supported.
5	<b>Hot Plug Surprise (HPS)</b> — RO. 1b = Device may be removed from the slot without prior notification.
4	<b>Power Indicator Present (PIP)</b> — RO. 0b = Power indicator LED is not present for this slot.
3	<b>Attention Indicator Present (AIP)</b> — RO. 0b = Attention indicator LED is not present for this slot.
2	<b>MRL Sensor Present (MSP)</b> — RO. 0b = MRL sensor is not present.
1	<b>Power Controller Present (PCP)</b> — RO. 0b = Power controller is not implemented for this slot.
0	<b>Attention Button Present (ABP)</b> — RO. 0b = Attention button is not implemented for this slot.





Bit	Description
2	<b>MRL Sensor Changed Enable (MSE)</b> — R/W. MSE not supported.
1	<b>Power Fault Detected Enable (PFE)</b> — R/W. PFE not supported.
0	<b>Attention Button Pressed Enable (ABE)</b> — R/W. When set, enables the generation of a Hot-Plug interrupt when the attention button is pressed. 0 = Disable. Hot plug interrupts based on the attention button being pressed is disabled. 1 = Enables the generation of a Hot-Plug interrupt when the attention button is pressed.

### 18.1.32 SLSTS—Slot Status Register (PCI Express—D28:F0/F1/F2/F3/F4/F5)

Address Offset: 5Ah–5Bh  
Default Value: 0000h

Attribute: R/WC, RO  
Size: 16 bits

Bit	Description
15:9	Reserved
8	<b>Link Active State Changed (LASC)</b> — R/WC. 0 = No Change. 1 = Value reported in Data Link Layer Link Active field of the Link Status register (D28:F0/F1/F2/F3/F4/F5:52h: bit 13) is changed. In response to a Data Link Layer State Changed event, software must read Data Link Layer Link Active field of the Link Status register to determine if the link is active before initiating configuration cycles to the hot plugged device.
7	Reserved
6	<b>Presence Detect State (PDS)</b> — RO. If XCAP.SI (D28:F0/F1/F2/F3/F4/F5:42h: bit 8) is set indicating that this root port spawns a slot), then this bit: 0 = Slot is empty. 1 = Slot has a device connected. Otherwise; if XCAP.SI is cleared, this bit is always set to 1.
5	<b>MRL Sensor State (MS)</b> — Reserved as the MRL sensor is not implemented.
4	<b>Command Completed (CC)</b> — R/WC. 0 = Issued command <b>not</b> completed. 1 = The Hot-Plug controller completed an issued command. This is set when the last message of a command is sent and indicates that software can write a new command to the slot controller.
3	<b>Presence Detect Changed (PDC)</b> — R/WC. 0 = <b>No</b> change in the PDS bit. 1 = The PDS bit changed states.
2	<b>MRL Sensor Changed (MSC)</b> — Reserved as the MRL sensor is not implemented.
1	<b>Power Fault Detected (PFD)</b> — Reserved as a power controller is not implemented.
0	<b>Attention Button Pressed (ABP)</b> — R/WC. 0 = The attention button has <b>not</b> been pressed. 1 = The attention button is pressed.















Bit	Description														
24	<p><b>BME Receive Check Enable (BMERCE)</b> — R/W.</p> <p>0 = Disable. 1 = Enable. Receive transaction layer will treat the TLP as an Unsupported Request error if a memory read or write request is received and the Bus Master Enable bit is not set.</p> <p><b>NOTE:</b> Messages, IO, Configuration, and Completions are not checked for BME.</p>														
23:21	Reserved														
20:18	<p><b>Unique Clock Exit Latency (UCEL)</b> — R/W. This value represents the L0s Exit Latency for unique-clock configurations (LCTL.CCC = 0) (D28:F0/F1/F2/F3/F4/F5: Offset 50h: bit 6). It defaults to 512 ns to less than 1 μs, but may be overridden by BIOS.</p>														
17:15	<p><b>Common Clock Exit Latency (CCEL)</b> — R/W. This value represents the L0s Exit Latency for common-clock configurations (LCTL.CCC = 1) (D28:F0/F1/F2/F3/F4/F5: Offset 50h: bit 6). It defaults to 128 ns to less than 256 ns, but may be overridden by BIOS.</p>														
14:8	Reserved														
7	<p><b>Port I/OxApic Enable (PAE)</b> — R/W.</p> <p>0 = Hole is disabled. 1 = A range is opened through the bridge for the following memory addresses:</p> <table border="1"> <thead> <tr> <th>Port #</th> <th>Address</th> </tr> </thead> <tbody> <tr> <td>1</td> <td>FEC1_0000h – FEC1_7FFFh</td> </tr> <tr> <td>2</td> <td>FEC1_8000h – FEC1_FFFFh</td> </tr> <tr> <td>3</td> <td>FEC2_0000h – FEC2_7FFFh</td> </tr> <tr> <td>4</td> <td>FEC2_8000h – FEC2_FFFFh</td> </tr> <tr> <td>5</td> <td>FEC3_0000h – FEC3_7FFFh</td> </tr> <tr> <td>6</td> <td>FEC3_8000h – FEC3_FFFFh</td> </tr> </tbody> </table>	Port #	Address	1	FEC1_0000h – FEC1_7FFFh	2	FEC1_8000h – FEC1_FFFFh	3	FEC2_0000h – FEC2_7FFFh	4	FEC2_8000h – FEC2_FFFFh	5	FEC3_0000h – FEC3_7FFFh	6	FEC3_8000h – FEC3_FFFFh
Port #	Address														
1	FEC1_0000h – FEC1_7FFFh														
2	FEC1_8000h – FEC1_FFFFh														
3	FEC2_0000h – FEC2_7FFFh														
4	FEC2_8000h – FEC2_FFFFh														
5	FEC3_0000h – FEC3_7FFFh														
6	FEC3_8000h – FEC3_FFFFh														
6:2	Reserved														
1	<p><b>Hot Plug SMI Enable (HPME)</b> — R/W.</p> <p>0 = Disable. SMI generation based on a Hot-Plug event is disabled. 1 = Enables the root port to generate SMI whenever a Hot-Plug event is detected.</p>														
0	<p><b>Power Management SMI Enable (PMME)</b> — R/W.</p> <p>0 = Disable. SMI generation based on a power management event is disabled. 1 = Enables the root port to generate SMI whenever a power management event is detected.</p>														









### 18.1.51 PVS — Port Virtual Channel Status Register (PCI Express—D28:F0/F1/F2/F3/F4/F5)

Address Offset: 10Eh–10Fh                      Attribute: RO  
Default Value: 0000h                              Size: 16 bits

Bit	Description
15:1	Reserved.
0	<b>VC Arbitration Table Status (VAS)</b> — RO. This bit indicates the coherency status of the VC Arbitration table when it is being updated. This field is always 0 in the root port since there is no VC arbitration table.

### 18.1.52 VOCAP — Virtual Channel 0 Resource Capability Register (PCI Express—D28:F0/F1/F2/F3/F4/F5)

Address Offset: 110h–113h                      Attribute: RO  
Default Value: 00000001h                      Size: 32 bits

Bit	Description
31:24	Port Arbitration Table Offset (AT) — RO. This VC implements no port arbitration table since the arbitration is fixed.
23	Reserved.
22:16	Maximum Time Slots (MTS) — RO. This VC implements fixed arbitration; therefore, this field is not used.
15	Reject Snoop Transactions (RTS) — RO. This VC must be able to take snoopable transactions.
14	Advanced Packet Switching (APS) — RO. This VC is capable of all transactions, not just advanced packet switching transactions.
13:8	Reserved.
7:0	Port Arbitration Capability (PAC) — RO. This field indicates that this VC uses fixed port arbitration.





### 18.1.53 VOCTL — Virtual Channel 0 Resource Control Register (PCI Express—D28:F0/F1/F2/F3/F4/F5)

Address Offset: 114h–117h                      Attribute: R/W, RO  
 Default Value: 80000FFh                      Size: 32 bits

Bit	Description																		
31	Virtual Channel Enable (EN) — RO. Always set to 1. Virtual Channel 0 cannot be disabled.																		
30:27	Reserved.																		
26:24	Virtual Channel Identifier (VCID) — RO. This field indicates the ID to use for this virtual channel.																		
23:20	Reserved.																		
19:17	Port Arbitration Select (PAS) — R/W. This field indicates which port table is being programmed. The root complex takes no action on this setting since the arbitration is fixed and there is no arbitration table.																		
16	Load Port Arbitration Table (LAT) — RO. The root port does not implement an arbitration table for this virtual channel.																		
15:8	Reserved.																		
7:1	<p><b>Transaction Class / Virtual Channel Map (TVM)</b> — R/W. This field indicates which transaction classes are mapped to this virtual channel. When a bit is set, this transaction class is mapped to the virtual channel.</p> <table border="1"> <thead> <tr> <th>Bit</th> <th>Transaction Class</th> </tr> </thead> <tbody> <tr> <td>7</td> <td>Transaction Class 7</td> </tr> <tr> <td>6</td> <td>Transaction Class 6</td> </tr> <tr> <td>5</td> <td>Transaction Class 5</td> </tr> <tr> <td>4</td> <td>Transaction Class 4</td> </tr> <tr> <td>3</td> <td>Transaction Class 3</td> </tr> <tr> <td>2</td> <td>Transaction Class 2</td> </tr> <tr> <td>1</td> <td>Transaction Class 1</td> </tr> <tr> <td>0</td> <td>Transaction Class 0</td> </tr> </tbody> </table>	Bit	Transaction Class	7	Transaction Class 7	6	Transaction Class 6	5	Transaction Class 5	4	Transaction Class 4	3	Transaction Class 3	2	Transaction Class 2	1	Transaction Class 1	0	Transaction Class 0
Bit	Transaction Class																		
7	Transaction Class 7																		
6	Transaction Class 6																		
5	Transaction Class 5																		
4	Transaction Class 4																		
3	Transaction Class 3																		
2	Transaction Class 2																		
1	Transaction Class 1																		
0	Transaction Class 0																		
0	Reserved. Transaction class 0 must always be mapped to VC0.																		

### 18.1.54 VOSTS — Virtual Channel 0 Resource Status Register (PCI Express—D28:F0/F1/F2/F3/F4/F5)

Address Offset: 11Ah–11Bh                      Attribute: RO  
 Default Value: 0000h                      Size: 16 bits

Bit	Description
15:2	Reserved.
1	<p><b>VC Negotiation Pending (NP)</b> — RO.</p> <p>0 = Negotiation is <b>not</b> pending.                      1 = Virtual Channel is still being negotiated with ingress ports.</p>
0	Port Arbitration Tables Status (ATS). There is no port arbitration table for this VC; this bit is reserved as 0.



### 18.1.55 UES — Uncorrectable Error Status Register (PCI Express—D28:F0/F1/F2/F3/F4/F5)

Address Offset: 144h–147h Attribute: R/WC, RO  
Default Value: 0000000000x0xxx0x0x0000000x0000bSize: 32 bits

This register maintains its state through a platform reset. It loses its state upon suspend.

Bit	Description
31:21	Reserved
20	<b>Unsupported Request Error Status (URE)</b> — R/WC. 0 = Unsupported request was <b>Not</b> received. 1 = Unsupported request was received.
19	ECRC Error Status (EE) — RO. ECRC is not supported.
18	<b>Malformed TLP Status (MT)</b> — R/WC. 0 = Malformed TLP was <b>Not</b> received. 1 = Malformed TLP was received.
17	<b>Receiver Overflow Status (RO)</b> — R/WC. 0 = Receiver overflow did <b>Not</b> occur. 1 = Receiver overflow occurred.
16	<b>Unexpected Completion Status (UC)</b> — R/WC. 0 = Unexpected completion was <b>Not</b> received. 1 = Unexpected completion was received.
15	<b>Completion Abort Status (CA)</b> — R/WC. 0 = Completer abort was <b>Not</b> received. 1 = Completer abort was received.
14	<b>Completion Timeout Status (CT)</b> — R/WC. 0 = Completion did <b>Not</b> time out. 1 = Completion timed out.
13	Flow Control Protocol Error Status (FCPE) — RO. Flow Control Protocol Errors not supported.
12	<b>Poisoned TLP Status (PT)</b> — R/WC. 0 = Poisoned TLP was <b>Not</b> received. 1 = Poisoned TLP was received.
11:5	Reserved
4	<b>Data Link Protocol Error Status (DLPE)</b> — R/WC. 0 = Data link protocol error did <b>Not</b> occur. 1 = Data link protocol error occurred.
3:1	Reserved
0	Training Error Status (TE) — RO. Training Errors not supported.





Bit	Description
4	<b>Data Link Protocol Error Mask (DLPE)</b> — R/WO. 0 = The corresponding error in the UES register (D28:F0/F1/F2/F3/F4/F5:144) is enabled. 1 = The corresponding error in the UES register (D28:F0/F1/F2/F3/F4/F5:144) is masked.
3:1	Reserved
0	Training Error Mask (TE) — RO. Training Errors not supported

### 18.1.57 UEV — Uncorrectable Error Severity (PCI Express—D28:F0/F1/F2/F3/F4/F5)

Address Offset: 14Ch–14Fh                      Attribute: RO  
 Default Value: 00060011h                      Size: 32 bits

Bit	Description
31:21	Reserved
20	<b>Unsupported Request Error Severity (URE)</b> — RO. 0 = Error considered non-fatal. (Default) 1 = Error is fatal.
19	ECRC Error Severity (EE) — RO. ECRC is not supported.
18	<b>Malformed TLP Severity (MT)</b> — RO. 0 = Error considered non-fatal. 1 = Error is fatal. (Default)
17	<b>Receiver Overflow Severity (RO)</b> — RO. 0 = Error considered non-fatal. 1 = Error is fatal. (Default)
16	<b>Unexpected Completion Severity (UC)</b> — RO. 0 = Error considered non-fatal. (Default) 1 = Error is fatal.
15	<b>Completion Abort Severity (CA)</b> — RO. 0 = Error considered non-fatal. (Default) 1 = Error is fatal.
14	<b>Completion Timeout Severity (CT)</b> — RO. 0 = Error considered non-fatal. (Default) 1 = Error is fatal.
13	Flow Control Protocol Error Severity (FCPE) — RO. Flow Control Protocol Errors not supported.
12	<b>Poisoned TLP Severity (PT)</b> — RO. 0 = Error considered non-fatal. (Default) 1 = Error is fatal.
11:5	Reserved
4	<b>Data Link Protocol Error Severity (DLPE)</b> — RO. 0 = Error considered non-fatal. 1 = Error is fatal. (Default)
3:1	Reserved
0	Training Error Severity (TE) — RO. TE is not supported.



### 18.1.58 CES — Correctable Error Status Register (PCI Express—D28:F0/F1/F2/F3/F4/F5)

Address Offset: 150h–153h                      Attribute: R/WC  
 Default Value: 00000000h                      Size: 32 bits

Bit	Description
31:13	Reserved
12	<b>Replay Timer Timeout Status (RTT)</b> — R/WC. 0 = Replay timer did <b>Not</b> time out. 1 = Replay timer timed out.
11:9	Reserved
8	<b>Replay Number Rollover Status (RNR)</b> — R/WC. 0 = Replay number did <b>Not</b> roll over. 1 = Replay number rolled over.
7	<b>Bad DLLP Status (BD)</b> — R/WC. 0 = Bad DLLP was <b>Not</b> received. 1 = Bad DLLP was received.
6	<b>Bad TLP Status (BT)</b> — R/WC. 0 = Bad TLP was <b>Not</b> received. 1 = Bad TLP was received.
5:1	Reserved
0	<b>Receiver Error Status (RE)</b> — R/WC. 0 = Receiver error did <b>Not</b> occur. 1 = Receiver error occurred.

### 18.1.59 CEM — Correctable Error Mask Register (PCI Express—D28:F0/F1/F2/F3/F4/F5)

Address Offset: 154h–157h                      Attribute: R/WO  
 Default Value: 00000000h                      Size: 32 bits

When set, the corresponding error in the CES register is masked, and the logged error will cause no action. When cleared, the corresponding error is enabled.

Bit	Description
31:13	Reserved
12	<b>Replay Timer Timeout Mask (RTT)</b> — R/WO. 0 = <b>No</b> mask 1 = Mask for replay timer timeout.
11:9	Reserved
8	<b>Replay Number Rollover Mask (RNR)</b> — R/WO. 0 = <b>No</b> mask 1 = Mask for replay number rollover.
7	<b>Bad DLLP Mask (BD)</b> — R/WO. 0 = <b>No</b> mask 1 = Mask for bad DLLP reception.



Bit	Description
6	<b>Bad TLP Mask (BT)</b> — R/WO. 0 = <b>No</b> mask 1 = Mask for bad TLP reception.
5:1	Reserved
0	<b>Receiver Error Mask (RE)</b> — R/WO. 0 = <b>No</b> mask 1 = Mask for receiver errors.

### 18.1.60 AECC — Advanced Error Capabilities and Control Register (PCI Express—D28:F0/F1/F2/F3/F4/F5)

Address Offset: 158h–15Bh                      Attribute: RO  
 Default Value: 00000000h                      Size: 32 bits

Bit	Description
31:9	Reserved
8	ECRC Check Enable (ECE) — RO. ECRC is not supported.
7	ECRC Check Capable (ECC) — RO. ECRC is not supported.
6	ECRC Generation Enable (EGE) — RO. ECRC is not supported.
5	ECRC Generation Capable (EGC) — RO. ECRC is not supported.
4:0	First Error Pointer (FEP) — RO.

### 18.1.61 RES — Root Error Status Register (PCI Express—D28:F0/F1/F2/F3/F4/F5)

Address Offset: 170h–173h                      Attribute: R/WC, RO  
 Default Value: 00000000h                      Size: 32 bits

Bit	Description
31:27	<b>Advanced Error Interrupt Message Number (AEMN)</b> — RO. There is only one error interrupt allocated.
26:4	Reserved
3	<b>Multiple ERR_FATAL/NONFATAL Received (MENR)</b> — RO. For Intel® ICH7, only one error will be captured.
2	<b>ERR_FATAL/NONFATAL Received (ENR)</b> — R/WC. 0 = <b>No</b> error message received. 1 = Either a fatal or a non-fatal error message is received.
1	<b>Multiple ERR_COR Received (MCR)</b> — RO. For ICH7, only one error will be captured.
0	<b>ERR_COR Received (CR)</b> — R/WC. 0 = <b>No</b> error message received. 1 = A correctable error message is received.





### 18.1.64 ULD — Upstream Link Description Register (PCI Express—D28:F0/F1/F2/F3/F4/F5)

Address Offset: 190h–193h                      Attribute: RO  
 Default Value: 00000001h                      Size: 32 bits

Bit	Description
31:24	<b>Target Port Number (PN)</b> — RO. This field indicates the port number of the RCRB.
23:16	<b>Target Component ID (TCID)</b> — RO. This field returns the value of the ESD.CID field (Chipset Configuration Space: Offset 0104h:bits 23:16) of the chip configuration section, that is programmed by platform BIOS, since the root port is in the same component as the RCRB.
15:2	Reserved.
1	<b>Link Type (LT)</b> — RO. This bit indicates that the link points to the Intel® ICH7 RCRB.
0	<b>Link Valid (LV)</b> — RO. This bit indicates that this link entry is valid.

### 18.1.65 ULBA — Upstream Link Base Address Register (PCI Express—D28:F0/F1/F2/F3/F4/F5)

Address Offset: 198h–19Fh                      Attribute: RO  
 Default Value: See Description                      Size: 64 bits

Bit	Description
63:32	<b>Base Address Upper (BAU)</b> — RO. The RCRB of the Intel® ICH7 is in 32-bit space.
31:0	<b>Base Address Lower (BAL)</b> — RO. This field matches the RCBA register (D31:F0:Offset F0h) value in the LPC bridge.

### 18.1.66 PEETM — PCI Express Extended Test Mode Register (PCI Express—D28:F0/F1/F2/F3/F4/F5)

Address Offset: 318h                              Attribute: RO  
 Default Value: See Description                      Size: 8 bits

Bit	Description
7:3	Reserved
2	<p><b>Scrambler Bypass Mode (BAU)</b> — R/W.</p> <p>0 = Normal operation. Scrambler and descrambler are used.            1 = Bypasses the data scrambler in the transmit direction and the data de-scrambler in the receive direction.</p> <p><b>NOTE:</b> This functionality intended for debug/testing only.  <b>NOTE:</b> If bypassing scrambler with Intel® ICH7 root port 1 in x4 configuration, each ICH7 root port must have this bit set.</p>
1:0	Reserved





# 19 Intel® High Definition Audio Controller Registers (D27:F0)

The Intel® High Definition Audio controller resides in PCI Device 27, Function 0 on bus 0. This function contains a set of DMA engines that are used to move samples of digitally encoded data between system memory and external codecs.

**Note:** All registers in this function (including memory-mapped registers) must be addressable in byte, word, and D-word quantities. The software must always make register accesses on natural boundaries (i.e. D-word accesses must be on D-word boundaries; word accesses on word boundaries, etc.) In addition, the memory-mapped register space must not be accessed with the LOCK semantic exclusive-access mechanism. If software attempts exclusive-access mechanisms to the Intel High Definition Audio memory-mapped space, the results are undefined.

**Note:** Users interested in providing feedback on the Intel High Definition Audio specification or planning to implement the Intel High Definition Audio specification into a future product will need to execute the *Intel® High Definition Audio Specification Developer's Agreement*. For more information, contact [nextgenaudio@intel.com](mailto:nextgenaudio@intel.com).

## 19.1 Intel® High Definition Audio PCI Configuration Space (Intel® High Definition Audio— D27:F0)

**Note:** Address locations that are not shown should be treated as Reserved.

**Table 19-1. Intel® High Definition Audio PCI Register Address Map (Intel® High Definition Audio D27:F0) (Sheet 1 of 2)**

Offset	Mnemonic	Register Name	Default	Access
00h–01h	VID	Vendor Identification	8086h	RO
02h–03h	DID	Device Identification	See register description.	RO
04h–05h	PCICMD	PCI Command	0000h	R/W, RO
06h–07h	PCISTS	PCI Status	0010h	R/WC, RO
08h	RID	Revision Identification	See register description.	RO
09h	PI	Programming Interface	00h	RO
0Ah	SCC	Sub Class Code	03h	RO
0Bh	BCC	Base Class Code	04h	RO
0Ch	CLS	Cache Line Size	00h	R/W
0Dh	LT	Latency Timer	00h	RO
0Eh	HEADTYP	Header Type	00h	RO
10h–13h	HDBARL	Intel® High Definition Audio Lower Base Address (Memory)	00000004h	R/W, RO
14h–17h	HDBARU	Intel® High Definition Audio Upper Base Address (Memory)	00000000h	R/W
2Ch–2Dh	SVID	Subsystem Vendor Identification	0000h	R/WO
2Eh–2Fh	SID	Subsystem Identification	0000h	R/WO
34h	CAPPTR	Capability List Pointer	50h	RO



**Table 19-1. Intel® High Definition Audio PCI Register Address Map (Intel® High Definition Audio D27:F0) (Sheet 2 of 2)**

Offset	Mnemonic	Register Name	Default	Access
3Ch	INTLN	Interrupt Line	00h	R/W
3Dh	INTPN	Interrupt Pin	See Register Description	RO
40h	HDCTL	Intel High Definition Audio Control	00h	R/W, RO
44h	TCSEL	Traffic Class Select	00h	R/W
4Ch	DCKCTL	Docking Control (Mobile Only)	00h	R/W, RO
4Dh	DCKSTS	Docking Status (Mobile Only)	80h	R/WO, RO
50h–51h	PID	PCI Power Management Capability ID	6001h	RO
52h–53h	PC	Power Management Capabilities	C842	RO
54h–57h	PCS	Power Management Control and Status	00000000h	R/W, RO, R/WC
60h–61h	MID	MSI Capability ID	7005h	RO
62h–63h	MMC	MSI Message Control	0080h	R/W, RO
64h–67h	MMLA	MSI Message Lower Address	00000000h	R/W, RO
68h–6Bh	MMUA	SMI Message Upper Address	00000000h	R/W
6Ch–6Dh	MMD	MSI Message Data	0000h	R/W
70h–71h	PXID	PCI Express* Capability Identifiers (Desktop and Mobile Only)	0010h	RO
72h–73h	PXC	PCI Express Capabilities (Desktop and Mobile Only)	0091h	RO
74h–77h	DEVCAP	Device Capabilities	00000000h	RO, R/WO
78h–79h	DEVC	Device Control	0800h	R/W, RO
7Ah–7Bh	DEVS	Device Status	0010h	RO
100h–103h	VCCAP	Virtual Channel Enhanced Capability Header	13010002h	RO
104h–107h	PVCCAP1	Port VC Capability Register 1	00000001h	RO
108h–10Bh	PVCCAP2	Port VC Capability Register 2	00000000h	RO
10Ch–10D	PVCCTL	Port VC Control	0000h	RO
10Eh–10Fh	PVCSTS	Port VC Status	0000h	RO
110h–103h	VC0CAP	VC0 Resource Capability	00000000h	RO
114h–117h	VC0CTL	VC0 Resource Control	800000FFh	R/W, RO
11Ah–11Bh	VC0STS	VC0 Resource Status	0000h	RO
11Ch–11Fh	VCiCAP	VCi Resource Capability	00000000h	RO
120h–123h	VCiCTL	VCi Resource Control	00000000h	R/W, RO
126h–127h	VCiSTS	VCi Resource Status	0000h	RO
130h–133h	RCCAP	Root Complex Link Declaration Enhanced Capability Header	00010005h	RO
134h–137h	ESD	Element Self Description	0F000100h	RO
140h–143h	L1DESC	Link 1 Description	00000001h	RO
148h–14Bh	L1ADDL	Link 1 Lower Address	See Register Description	RO
14Ch–14Fh	L1ADDU	Link 1 Upper Address	00000000h	RO







### 19.1.4 PCISTS—PCI Status Register (Intel® High Definition Audio Controller—D27:F0)

Offset Address: 06h–07h                      Attribute:              RO, R/WC  
 Default Value: 0010h                      Size:                      16 bits

Bit	Description
15	Detected Parity Error (DPE) — RO. Not implemented. Hardwired to 0.
14	SERR# Status (SERRS) — RO. Not implemented. Hardwired to 0.
13	Received Master Abort (RMA) — R/WC. Software clears this bit by writing a 1 to it. 0 = No master abort received. 1 = The Intel® High Definition Audio controller sets this bit when, as a bus master, it receives a master abort. When set, the Intel High Definition Audio controller clears the run bit for the channel that received the abort.
12	Received Target Abort (RTA) — RO. Not implemented. Hardwired to 0.
11	Signaled Target Abort (STA) — RO. Not implemented. Hardwired to 0.
10:9	DEVSEL# Timing Status (DEV_STS) — RO. Does not apply. Hardwired to 0.
8	Data Parity Error Detected (DPED) — RO. Not implemented. Hardwired to 0.
7	Fast Back to Back Capable (FB2BC) — RO. Does not apply. Hardwired to 0.
6	Reserved.
5	66 MHz Capable (66MHZ_CAP) — RO. Does not apply. Hardwired to 0.
4	Capabilities List (CAP_LIST) — RO. Hardwired to 1. Indicates that the controller contains a capabilities pointer list. The first item is pointed to by looking at configuration offset 34h.
3	Interrupt Status (IS) — RO. 0 = This bit is 0 after the interrupt is cleared. 1 = This bit is 1 when the INTx# is asserted. Note that this bit is not set by an MSI.
2:0	Reserved.

### 19.1.5 RID—Revision Identification Register (Intel® High Definition Audio Controller—D27:F0)

Offset: 08h                      Attribute: RO  
 Default Value: See bit description                      Size: 8 Bits

Bit	Description
7:0	Revision ID — RO. Refer to the <i>Intel® I/O Controller Hub 7 (ICH7) Family Specification Update</i> for the value of the Revision ID Register.



### 19.1.6 PI—Programming Interface Register (Intel® High Definition Audio Controller—D27:F0)

Offset: 09h Attribute: RO  
Default Value: 00h Size: 8 bits

Bit	Description
7:0	Programming Interface — RO.

### 19.1.7 SCC—Sub Class Code Register (Intel® High Definition Audio Controller—D27:F0)

Address Offset: 0Ah Attribute: RO  
Default Value: 03h Size: 8 bits

Bit	Description
7:0	Sub Class Code (SCC) — RO. 03h = Audio Device

### 19.1.8 BCC—Base Class Code Register (Intel® High Definition Audio Controller—D27:F0)

Address Offset: 0Bh Attribute: RO  
Default Value: 04h Size: 8 bits

Bit	Description
7:0	Base Class Code (BCC) — RO. 04h = Multimedia device

### 19.1.9 CLS—Cache Line Size Register (Intel® High Definition Audio Controller—D27:F0)

Address Offset: 0Ch Attribute: R/W  
Default Value: 00h Size: 8 bits

Bit	Description
7:0	Cache Line Size — R/W. Implemented as R/W register, but has no functional impact to the Intel® ICH7

### 19.1.10 LT—Latency Timer Register (Intel® High Definition Audio Controller—D27:F0)

Address Offset: 0Dh Attribute: RO  
Default Value: 00h Size: 8 bits

Bit	Description
7:0	Latency Timer — RO. Hardwired to 00





### 19.1.14 SVID—Subsystem Vendor Identification Register (Intel® High Definition Audio Controller—D27:F0)

Address Offset: 2Ch–2Dh                      Attribute: R/WO  
Default Value: 0000h                      Size: 16 bits

The SVID register, in combination with the Subsystem ID register (D27:F0:2Eh), enable the operating environment to distinguish one audio subsystem from the other(s).

This register is implemented as write-once register. Once a value is written to it, the value can be read back. Any subsequent writes will have no effect.

This register is not affected by the D3<sub>HOT</sub> to D0 transition.

Bit	Description
15:0	Subsystem Vendor ID — R/WO.

### 19.1.15 SID—Subsystem Identification Register (Intel® High Definition Audio Controller—D27:F0)

Address Offset: 2Eh–2Fh                      Attribute: R/WO  
Default Value: 0000h                      Size: 16 bits

The SID register, in combination with the Subsystem Vendor ID register (D27:F0:2Ch) make it possible for the operating environment to distinguish one audio subsystem from the other(s).

This register is implemented as write-once register. Once a value is written to it, the value can be read back. Any subsequent writes will have no effect.

This register is not affected by the D3<sub>HOT</sub> to D0 transition.

Bit	Description
15:0	<b>Subsystem ID</b> — R/WO.















### 19.1.26 MID—MSI Capability ID Register (Intel® High Definition Audio Controller—D27:F0)

Address Offset: 60h–61h                      Attribute: RO  
 Default Value: 7005h                        Size: 16 bits

Bit	Description
15:8	Next Capability (Next) — RO. Hardwired to 70h. Points to the PCI Express* capability structure.
7:0	Cap ID (CAP) — RO. Hardwired to 05h. Indicates that this pointer is a MSI capability

### 19.1.27 MMC—MSI Message Control Register (Intel® High Definition Audio Controller—D27:F0)

Address Offset: 62h–63h                      Attribute: RO, R/W  
 Default Value: 0080h                        Size: 16 bits

Bit	Description
15:8	Reserved
7	64b Address Capability (64ADD) — RO. Hardwired to 1 indicating the ability to generate a 64-bit message address
6:4	Multiple Message Enable (MME) — RO. Normally this is a R/W register. However, since only 1 message is supported, these bits are hardwired to 000 = 1 message.
3:1	Multiple Message Capable (MMC) — RO. Hardwired to 0 indicating request for 1 message.
0	<b>MSI Enable (ME)</b> — R/W. 0 = an MSI may not be generated 1 = an MSI will be generated instead of an INTx signal.

### 19.1.28 MMLA—MSI Message Lower Address Register (Intel® High Definition Audio Controller—D27:F0)

Address Offset: 64h–67h                      Attribute: RO, R/W  
 Default Value: 00000000h                    Size: 32 bits

Bit	Description
31:2	<b>Message Lower Address (MLA)</b> — R/W. Lower address used for MSI message.
1:0	Reserved.

### 19.1.29 MMUA—MSI Message Upper Address Register (Intel® High Definition Audio Controller—D27:F0)

Address Offset: 68h–6Bh                      Attribute: R/W  
 Default Value: 00000000h                    Size: 32 bits

Bit	Description
31:0	<b>Message Upper Address (MUA)</b> — R/W. Upper 32-bits of address used for MSI message.



### 19.1.30 MMD—MSI Message Data Register (Intel® High Definition Audio Controller—D27:F0)

Address Offset: 6Ch–6Dh                      Attribute: R/W  
Default Value: 0000h                      Size: 16 bits

Bit	Description
15:0	<b>Message Data (MD)</b> — R/W. Data used for MSI message.

### 19.1.31 PXID—PCI Express\* Capability ID Register (Intel® High Definition Audio Controller—D27:F0) (Desktop and Mobile Only)

Address Offset: 70h–71h                      Attribute: RO  
Default Value: 0010h                      Size: 16 bits

Bit	Description
15:8	Next Capability (Next) — RO. Hardwired to 0. Indicates that this is the last capability structure in the list.
7:0	Cap ID (CAP) — RO. Hardwired to 10h. Indicates that this pointer is a PCI Express* capability structure

### 19.1.32 PXC—PCI Express\* Capabilities Register (Desktop and Mobile Only) (Intel® High Definition Audio Controller—D27:F0)

Address Offset: 72h–73h                      Attribute: RO  
Default Value: 0091h                      Size: 16 bits

Bit	Description
15:14	Reserved
13:9	Interrupt Message Number (IMN) — RO. Hardwired to 0.
8	Slot Implemented (SI) — RO. Hardwired to 0.
7:4	Device/Port Type (DPT) — RO. Hardwired to 1001b. Indicates that this is a Root Complex Integrated endpoint device.
3:0	Capability Version (CV) — RO. Hardwired to 0001b. Indicates version #1 PCI Express capability



### 19.1.33 DEVCAP—Device Capabilities Register (Intel® High Definition Audio Controller—D27:F0)

Address Offset: 74h–77h                      Attribute: R/WO, RO  
Default Value: 00000000h                      Size: 32 bits

Bit	Description
31:28	Reserved
27:26	Captured Slot Power Limit Scale (SPLS) — RO. Hardwired to 0.
25:18	Captured Slot Power Limit Value (SPLV) — RO. Hardwired to 0.
17:15	Reserved
14	Power Indicator Present — RO. Hardwired to 0.
13	Attention Indicator Present — RO. Hardwired to 0.
12	Attention Button Present — RO. Hardwired to 0.
11:9	Endpoint L1 Acceptable Latency — R/WO.
8:6	Endpoint L0s Acceptable Latency — R/WO.
5	Extended Tag Field Support — RO. Hardwired to 0. Indicates 5-bit tag field support
4:3	Phantom Functions Supported — RO. Hardwired to 0. Indicates that phantom functions are not supported
2:0	Max Payload Size Supported — RO. Hardwired to 0. Indicates 128-B maximum payload size capability





### 19.1.34 DEVC—Device Control Register (Intel® High Definition Audio Controller—D27:F0)

Address Offset: 78h–79h                      Attribute:                      R/W, RO  
 Default Value: 0800h                      Size:                      16 bits

Bit	Description
15	Reserved
14:12	Max Read Request Size — RO. Hardwired to 0 enabling 128B maximum read request size.
11	<b>No Snoop Enable (NSNPEN)</b> — R/W. 0 = The Intel® High Definition Audio controller will not set the No Snoop bit. In this case, isochronous transfers will not use VC1 (VCi) even if it is enabled since VC1 is not snooped. Isochronous transfers will use VC0. 1 = The Intel High Definition Audio controller is permitted to set the No Snoop bit in the Requester Attributes of a bus master transaction. In this case, VC0 or VC1 may be used for isochronous transfers. Note: This bit is not reset on D3 <sub>HOT</sub> to D0 transition; however, it is reset by PLTRST#.
10	Auxiliary Power Enable — RO. Hardwired to 0, indicating that Intel High Definition Audio device does not draw AUX power
9	Phantom Function Enable — RO. Hardwired to 0 disabling phantom functions.
8	Extended Tag Field Enable — RO. Hardwired to 0 enabling 5-bit tag.
7:5	Max Payload Size — RO. Hardwired to 0 indicating 128B.
4	Enable Relaxed Ordering — RO. Hardwired to 0 disabling relaxed ordering.
3	Unsupported Request Reporting Enable — RO. Not implemented. Hardwired to 0.
2	Fatal Error Reporting Enable — RO. Not implemented. Hardwired to 0.
1	Non-Fatal Error Reporting Enable — RO. Not implemented. Hardwired to 0.
0	Correctable Error Reporting Enable — RO. Not implemented. Hardwired to 0.

### 19.1.35 DEVS—Device Status Register (Intel® High Definition Audio Controller—D27:F0)

Address Offset: 7Ah–7Bh                      Attribute:                      RO  
 Default Value: 0010h                      Size:                      16 bits

Bit	Description
15:6	Reserved
5	Transactions Pending — RO. 0 = Indicates that completions for all non-posted requests have been received. 1 = Indicates that Intel® High Definition Audio controller has issued non-posted requests that have not been completed.
4	AUX Power Detected — RO. Hardwired to 1 indicating the device is connected to resume power.
3	Unsupported Request Detected — RO. Not implemented. Hardwired to 0.
2	Fatal Error Detected — RO. Not implemented. Hardwired to 0.
1	Non-Fatal Error Detected — RO. Not implemented. Hardwired to 0.
0	Correctable Error Detected — RO. Not implemented. Hardwired to 0.



### 19.1.36 VCCAP—Virtual Channel Enhanced Capability Header (Intel® High Definition Audio Controller—D27:F0) (Desktop and Mobile Only)

Address Offset: 100h–103h                      Attribute: RO  
Default Value: 13010002h                      Size: 32 bits

Bit	Description
31:20	Next Capability Offset — RO. Hardwired to 130h. Points to the next capability header that is the Root Complex Link Declaration Enhanced Capability Header.
19:16	Capability Version — RO. Hardwired to 1h.
15:0	PCI Express* Extended Capability — RO. Hardwired to 0002h.

### 19.1.37 PVCCAP1—Port VC Capability Register 1 (Intel® High Definition Audio Controller—D27:F0) (Desktop and Mobile Only)

Address Offset: 104h–107h                      Attribute: RO  
Default Value: 00000001h                      Size: 32 bits

Bit	Description
31:12	Reserved.
11:10	Port Arbitration Table Entry Size — RO. Hardwired to 0 since this is an endpoint device.
9:8	Reference Clock — RO. Hardwired to 0 since this is an endpoint device.
7	Reserved.
6:4	Low Priority Extended VC Count — RO. Hardwired to 0. Indicates that only VC0 belongs to the low priority VC group.
3	Reserved.
2:0	Extended VC Count — RO. Hardwired to 001b. Indicates that 1 extended VC (in addition to VC0) is supported by the Intel® High Definition Audio controller.

### 19.1.38 PVCCAP2 — Port VC Capability Register 2 (Intel® High Definition Audio Controller—D27:F0)

Address Offset: 108h–10Bh                      Attribute: RO  
Default Value: 00000000h                      Size: 32 bits

Bit	Description
31:24	VC Arbitration Table Offset — RO. Hardwired to 0 indicating that a VC arbitration table is not present.
23:8	Reserved.
7:0	VC Arbitration Capability — RO. Hardwired to 0. These bits are not applicable since the Intel® High Definition Audio controller reports a 0 in the Low Priority Extended VC Count bits in the PVCCAP1 register.



### 19.1.39 PVCCTL — Port VC Control Register (Intel® High Definition Audio Controller—D27:F0)

Address Offset: 10Ch–10Dh                      Attribute: RO  
 Default Value: 0000h                              Size: 16 bits

Bit	Description
15:4	Reserved.
3:1	VC Arbitration Select — RO. Hardwired to 0. Normally these bits are R/W. However, these bits are not applicable since the Intel® High Definition Audio controller reports a 0 in the Low Priority Extended VC Count bits in the PVCCAP1 register.
0	Load VC Arbitration Table — RO. Hardwired to 0 since an arbitration table is not present.

### 19.1.40 PVCSTS—Port VC Status Register (Intel® High Definition Audio Controller—D27:F0)

Address Offset: 10Eh–10Fh                      Attribute: RO  
 Default Value: 0000h                              Size: 16 bits

Bit	Description
15:1	Reserved.
0	VC Arbitration Table Status — RO. Hardwired to 0 since an arbitration table is not present.

### 19.1.41 VCOCAP—VC0 Resource Capability Register (Intel® High Definition Audio Controller—D27:F0)

Address Offset: 110h–113h                      Attribute: RO  
 Default Value: 00000000h                      Size: 32 bits

Bit	Description
31:24	Port Arbitration Table Offset — RO. Hardwired to 0 since this field is not valid for endpoint devices.
23	Reserved.
22:16	Maximum Time Slots — RO. Hardwired to 0 since this field is not valid for endpoint devices.
15	Reject Snoop Transactions — RO. Hardwired to 0 since this field is not valid for endpoint devices.
14	Advanced Packet Switching — RO. Hardwired to 0 since this field is not valid for endpoint devices.
13:8	Reserved.
7:0	Port Arbitration Capability — RO. Hardwired to 0 since this field is not valid for endpoint devices.



### 19.1.42 VCOCTL—VCO Resource Control Register (Intel® High Definition Audio Controller—D27:F0)

Address Offset: 114h–117h                      Attribute: R/W, RO  
Default Value: 800000FFh                      Size: 32 bits

Bit	Description
31	VCO Enable — RO. Hardwired to 1 for VCO.
30:27	Reserved.
26:24	VCO ID — RO. Hardwired to 0 since the first VC is always assigned as VCO.
23:20	Reserved.
19:17	Port Arbitration Select — RO. Hardwired to 0 since this field is not valid for endpoint devices.
16	Load Port Arbitration Table — RO. Hardwired to 0 since this field is not valid for endpoint devices.
15:8	Reserved.
7:0	<b>TC/VCO Map</b> — R/W, RO. Bit 0 is hardwired to 1 since TC0 is always mapped VC0. Bits [7:1] are implemented as R/W bits.

### 19.1.43 VCOSTS—VCO Resource Status Register (Intel® High Definition Audio Controller—D27:F0)

Address Offset: 11Ah–11Bh                      Attribute: RO  
Default Value: 0000h                              Size: 16 bits

Bit	Description
15:2	Reserved.
1	VCO Negotiation Pending — RO. Hardwired to 0 since this bit does not apply to the integrated Intel® High Definition Audio device.
0	Port Arbitration Table Status — RO. Hardwired to 0 since this field is not valid for endpoint devices.



### 19.1.44 VCI<sub>CAP</sub>—VCI Resource Capability Register (Intel® High Definition Audio Controller—D27:F0)

Address Offset: 11Ch–11Fh                      Attribute:                      RO  
 Default Value: 00000000h                      Size:                              32 bits

Bit	Description
31:24	Port Arbitration Table Offset — RO. Hardwired to 0 since this field is not valid for endpoint devices.
23	Reserved.
22:16	Maximum Time Slots — RO. Hardwired to 0 since this field is not valid for endpoint devices.
15	Reject Snoop Transactions — RO. Hardwired to 0 since this field is not valid for endpoint devices.
14	Advanced Packet Switching — RO. Hardwired to 0 since this field is not valid for endpoint devices.
13:8	Reserved
7:0	Port Arbitration Capability — RO. Hardwired to 0 since this field is not valid for endpoint devices.

### 19.1.45 VCI<sub>CTL</sub>—VCI Resource Control Register (Intel® High Definition Audio Controller—D27:F0)

Address Offset: 120h–123h                      Attribute:                      R/W, RO  
 Default Value: 00000000h                      Size:                              32 bits

Bit	Description
31	<b>VCI Enable</b> — R/W. 0 = VCI is disabled 1 = VCI is enabled  <b>NOTE:</b> This bit is not reset on D3 <sub>HOT</sub> to D0 transition; however, it is reset by PLTRST#.
30:27	Reserved.
26:24	<b>VCI ID</b> — R/W. This field assigns a VC ID to the VCI resource. This field is not used by the Intel® ICH7 hardware, but it is R/W to avoid confusing software.
23:20	Reserved.
19:17	Port Arbitration Select — RO. Hardwired to 0 since this field is not valid for endpoint devices.
16	Load Port Arbitration Table — RO. Hardwired to 0 since this field is not valid for endpoint devices.
15:8	Reserved.
7:0	<b>TC/VCI Map</b> — R/W, RO. This field indicates the TCs that are mapped to the VCI resource. Bit 0 is hardwired to 0 indicating that it cannot be mapped to VCI. Bits [7:1] are implemented as R/W bits. This field is not used by the ICH7 hardware, but it is R/W to avoid confusing software.



### 19.1.46 VCiSTS—VCi Resource Status Register (Intel® High Definition Audio Controller—D27:F0)

Address Offset: 126h–127h                      Attribute: RO  
Default Value: 0000h                              Size: 16 bits

Bit	Description
15:2	Reserved.
1	VCi Negotiation Pending — RO. Does not apply. Hardwired to 0.
0	Port Arbitration Table Status — RO. Hardwired to 0 since this field is not valid for endpoint devices.

### 19.1.47 RCCAP—Root Complex Link Declaration Enhanced Capability Header Register (Intel® High Definition Audio Controller—D27:F0) (Desktop and Mobile Only)

Address Offset: 130h–133h                      Attribute: RO  
Default Value: 00010005h                      Size: 32 bits

Bit	Description
31:20	Next Capability Offset — RO. Hardwired to 0 indicating this is the last capability.
19:16	Capability Version — RO. Hardwired to 1h.
15:0	PCI Express* Extended Capability ID — RO. Hardwired to 0005h.

### 19.1.48 ESD—Element Self Description Register (Intel® High Definition Audio Controller—D27:F0)

Address Offset: 134h–137h                      Attribute: RO  
Default Value: 0F000100h                      Size: 32 bits

Bit	Description
31:24	Port Number — RO. Hardwired to 0Fh indicating that the Intel® High Definition Audio controller is assigned as Port #15d.
23:16	Component ID — RO. This field returns the value of the ESD.CID field of the chip configuration section. ESD.CID is programmed by BIOS.
15:8	Number of Link Entries — RO. The Intel High Definition Audio only connects to one device, the Intel® ICH7 egress port. Therefore this field reports a value of 1h.
7:4	Reserved.
3:0	Element Type (ELTYP) — RO. The Intel High Definition Audio controller is an integrated Root Complex Device. Therefore, the field reports a value of 0h.



### 19.1.49 L1DESC—Link 1 Description Register (Intel® High Definition Audio Controller—D27:F0)

Address Offset: 140h–143h                      Attribute: RO  
 Default Value: 00000001h                      Size: 32 bits

Bit	Description
31:24	Target Port Number — RO. The Intel High Definition Audio controller targets the Intel® ICH7's Port #0.
23:16	Target Component ID — RO. This field returns the value of the ESD.CID field of the chip configuration section. ESD.CID is programmed by BIOS.
15:2	Reserved.
1	Link Type — RO. Hardwired to 0 indicating Type 0.
0	Link Valid — RO. Hardwired to 1.

### 19.1.50 L1ADDL—Link 1 Lower Address Register (Intel® High Definition Audio Controller—D27:F0)

Address Offset: 148h–14Bh                      Attribute: RO  
 Default Value: See Register Description      Size: 32 bits

Bit	Description
31:14	Link 1 Lower Address — RO. Hardwired to match the RCBA register value in the PCI-LPC bridge (D31:F0:F0h).
13:0	Reserved.

### 19.1.51 L1ADDU—Link 1 Upper Address Register (Intel® High Definition Audio Controller—D27:F0)

Address Offset: 14Ch–14Fh                      Attribute: RO  
 Default Value: 00000000h                      Size: 32 bits

Bit	Description
31:0	Link 1 Upper Address — RO. Hardwired to 00000000h.



## 19.2 Intel® High Definition Audio Memory-Mapped Configuration Registers (Intel® High Definition Audio— D27:F0)

The base memory location for these memory mapped configuration registers is specified in the HDBAR register (D27:F0:offset 10h and D27:F0:offset 14h). The individual registers are then accessible at HDBAR + Offset as indicated in the following table.

These memory mapped registers must be accessed in byte, word, or DWord quantities.

**Table 19-2. Intel® High Definition Audio PCI Register Address Map (Intel® High Definition Audio D27:F0) (Sheet 1 of 4)**

HDBAR + Offset	Mnemonic	Register Name	Default	Access
00h–01h	GCAP	Global Capabilities	4401h	RO
02h	VMIN	Minor Version	00h	RO
03h	VMAJ	Major Version	01h	RO
04h–05h	OUTPAY	Output Payload Capability	003Ch	RO
06h–07h	INPAY	Input Payload Capability	001Dh	RO
08h–0Bh	GCTL	Global Control	00000000h	R/W
0Ch–0Dh	WAKEEN	Wake Enable	0000h	R/W
0Eh–0Fh	STATESTS	State Change Status	0000h	R/WC
10h–11h	GSTS	Global Status	0000h	R/WC
12h–13h	—	Reserved	0000h	RO
14h–17h	ECAP	Extended Capabilities (Mobile/Ultra Mobile Only)	0000001h	RO
18h–19h	OUTSTRMPAY	Output Stream Payload Capability	0030h	RO
1Ah–1Bh	INSTRMPAY	Input Stream Payload Capability	0018h	RO
1Ch–1Fh	—	Reserved	00000000h	RO
20h–23h	INTCTL	Interrupt Control	00000000h	R/W
24h–27h	INTSTS	Interrupt Status	00000000h	RO
30h–33h	WALCLK	Wall Clock Counter	00000000h	RO
34h–37h	SSYNC	Stream Synchronization	00000000h	R/W
40h–43h	CORB LBASE	CORB Lower Base Address	00000000h	R/W, RO
44h–47h	CORBUBASE	CORB Upper Base Address	00000000h	R/W
48h–49h	CORBWP	CORB Write Pointer	0000h	R/W
4Ah–4Bh	CORB RP	CORB Read Pointer	0000h	R/W
4Ch	CORBCTL	CORB Control	00h	R/W
4Dh	CORBST	CORB Status	00h	R/WC
4Eh	CORB SIZE	CORB Size	42h	RO
50h–53h	RIRBLBASE	RIRB Lower Base Address	00000000h	R/W, RO
54h–57h	RIRBUBASE	RIRB Upper Base Address	00000000h	R/W




**Table 19-2. Intel® High Definition Audio PCI Register Address Map (Intel® High Definition Audio D27:F0) (Sheet 2 of 4)**

HDBAR + Offset	Mnemonic	Register Name	Default	Access
58h–59h	RIRBWP	RIRB Write Pointer	0000h	R/W, RO
5Ah–5Bh	RINTCNT	Response Interrupt Count	0000h	R/W
5Ch	RIRBCTL	RIRB Control	00h	R/W
5Dh	RIRBSTS	RIRB Status	00h	R/WC
5Eh	RIRBSIZE	RIRB Size	42h	RO
60h–63h	IC	Immediate Command	00000000h	R/W
64h–67h	IR	Immediate Response	00000000h	RO
68h–69h	IRS	Immediate Command Status	0000h	R/W, R/WC
70h–73h	DPLBASE	DMA Position Lower Base Address	00000000h	R/W, RO
74h–77h	DPUBASE	DMA Position Upper Base Address	00000000h	R/W
80–82h	ISDOCTL	Input Stream Descriptor 0 (ISD0) Control	040000h	R/W, RO
83h	ISD0STS	ISD0 Status	00h	R/WC, RO
84h–87h	ISD0LPIB	ISD0 Link Position in Buffer	00000000h	RO
88h–8Bh	ISD0CBL	ISD0 Cyclic Buffer Length	00000000h	R/W
8Ch–8Dh	ISD0LVI	ISD0 Last Valid Index	0000h	R/W
8Eh–8F	ISD0FIFOW	ISD0 FIFO Watermark	0004h	R/W
90h–91h	ISD0FIFOS	ISD0 FIFO Size	0077h	RO
92h–93h	ISD0FMT	ISD0 Format	0000h	R/W
98h–9Bh	ISD0BDPL	ISD0 Buffer Descriptor List Pointer-Lower Base Address	00000000h	R/W, RO
9Ch–9Fh	ISD0BDPU	ISD0 Buffer Description List Pointer-Upper Base Address	00000000h	R/W
A0h–A2h	ISD1CTL	Input Stream Descriptor 1 (ISD01) Control	040000h	R/W, RO
A3h	ISD1STS	ISD1 Status	00h	R/WC, RO
A4h–A7h	ISD1LPIB	ISD1 Link Position in Buffer	00000000h	RO
A8h–ABh	ISD1CBL	ISD1 Cyclic Buffer Length	00000000h	R/W
ACh–ADh	ISD1LVI	ISD1 Last Valid Index	0000h	R/W
AEh–AFh	ISD1FIFOW	ISD1 FIFO Watermark	0004h	R/W
B0h–B1h	ISD1FIFOS	ISD1 FIFO Size	0077h	RO
B2–B3h	ISD1FMT	ISD1 Format	0000h	R/W
B8–BBh	ISD1BDPL	ISD1 Buffer Descriptor List Pointer-Lower Base Address	00000000h	R/W, RO
BCh–BFh	ISD1BDPU	ISD1 Buffer Description List Pointer-Upper Base Address	00000000h	R/W
C0h–C2h	ISD2CTL	Input Stream Descriptor 2 (ISD2) Control	040000h	R/W, RO



**Table 19-2. Intel® High Definition Audio PCI Register Address Map (Intel® High Definition Audio D27:F0) (Sheet 3 of 4)**

HDBAR + Offset	Mnemonic	Register Name	Default	Access
C3h	ISD2STS	ISD2 Status	00h	R/WC, RO
Ch4–C7h	ISD2LPIB	ISD2 Link Position in Buffer	00000000h	RO
C8h–CBh	ISD2CBL	ISD2 Cyclic Buffer Length	00000000h	R/W
CCh–CDh	ISD2LVI	ISD2 Last Valid Index	0000h	R/W
CEh–CFh	ISD1FIFOW	ISD1 FIFO Watermark	0004h	R/W
D0h–D1h	ISD2FIFOS	ISD2 FIFO Size	0077h	RO
D2h–D3h	ISD2FMT	ISD2 Format	0000h	R/W
D8h–DBh	ISD2BDPL	ISD2 Buffer Descriptor List Pointer-Lower Base Address	00000000h	R/W, RO
DCh–DFh	ISD2BDPU	ISD2 Buffer Description List Pointer-Upper Base Address	00000000h	R/W
E0h–E2h	ISD3CTL	Input Stream Descriptor 3 (ISD3) Control	040000h	R/W, RO
E3h	ISD3STS	ISD3 Status	00h	R/WC, RO
E4h–E7h	ISD3LPIB	ISD3 Link Position in Buffer	00000000h	RO
E8h–EBh	ISD3CBL	ISD3 Cyclic Buffer Length	00000000h	R/W
ECh–EDh	ISD3LVI	ISD3 Last Valid Index	0000h	R/W
EEh–EFh	ISD3FIFOW	ISD3 FIFO Watermark	0004h	R/W
F0h–F1h	ISD3FIFOS	ISD3 FIFO Size	0077h	RO
F2h–F3h	ISD3FMT	ISD3 Format	0000h	R/W
F8h–FBh	ISD3BDPL	ISD3 Buffer Descriptor List Pointer-Lower Base Address	00000000h	R/W, RO
FCh–FFh	ISD3BDPU	ISD3 Buffer Description List Pointer-Upper Base Address	00000000h	R/W
100h–102h	OSD0CTL	Output Stream Descriptor 0 (OSD0) Control	040000h	R/W, RO
103h	OSD0STS	OSD0 Status	00h	R/WC, RO
104h–107h	OSD0LPIB	OSD0 Link Position in Buffer	00000000h	RO
108h–10Bh	OSD0CBL	OSD0 Cyclic Buffer Length	00000000h	R/W
10Ch–10Dh	OSD0LVI	OSD0 Last Valid Index	0000h	R/W
10Eh–10Fh	OSD0FIFOW	OSD0 FIFO Watermark	0004h	R/W
110h–111h	OSD0FIFOS	OSD0 FIFO Size	00BFh	R/W
112–113h	OSD0FMT	OSD0 Format	0000h	R/W
118h–11Bh	OSD0BDPL	OSD0 Buffer Descriptor List Pointer-Lower Base Address	00000000h	R/W, RO
11Ch–11Fh	OSD0BDPU	OSD0 Buffer Description List Pointer-Upper Base Address	00000000h	R/W
120h–122h	OSD1CTL	Output Stream Descriptor 1 (OSD1) Control	040000h	R/W, RO


**Table 19-2. Intel® High Definition Audio PCI Register Address Map (Intel® High Definition Audio D27:F0) (Sheet 4 of 4)**

HDBAR + Offset	Mnemonic	Register Name	Default	Access
123h	OSD1STS	OSD1 Status	00h	R/WC, RO
124h–127h	OSD1LPIB	OSD1 Link Position in Buffer	00000000h	RO
128h–12Bh	OSD1CBL	OSD1 Cyclic Buffer Length	00000000h	R/W
12Ch–12Dh	OSD1LVI	OSD1 Last Valid Index	0000h	R/W
12Eh–12Fh	OSD1FIFOW	OSD1 FIFO Watermark	0004h	R/W
130h–131h	OSD1FIFOS	OSD1 FIFO Size	00BFh	R/W
132h–133h	OSD1FMT	OSD1 Format	0000h	R/W
138h–13Bh	OSD1BDPL	OSD1 Buffer Descriptor List Pointer-Lower Base Address	00000000h	R/W, RO
13Ch–13Fh	OSD1BDPU	OSD1 Buffer Description List Pointer-Upper Base Address	00000000h	R/W
140h–142h	OSD2CTL	Output Stream Descriptor 2 (OSD2) Control	040000h	R/W, RO
143h	OSD2STS	OSD2 Status	00h	R/WC, RO
144h–147h	OSD2LPIB	OSD2 Link Position in Buffer	00000000h	RO
148h–14Bh	OSD2CBL	OSD2 Cyclic Buffer Length	00000000h	R/W
14Ch–14Dh	OSD2LVI	OSD2 Last Valid Index	0000h	R/W
14Eh–14Fh	OSD2FIFOW	OSD2 FIFO Watermark	0004h	R/W
150h–151h	OSD2FIFOS	OSD2 FIFO Size	00BFh	R/W
152h–153h	OSD2FMT	OSD2 Format	0000h	R/W
158h–15Bh	OSD2BDPL	OSD2 Buffer Descriptor List Pointer-Lower Base Address	00000000h	R/W, RO
15Ch–15Fh	OSD2BDPU	OSD2 Buffer Description List Pointer-Upper Base Address	00000000h	R/W
160h–162h	OSD3CTL	Output Stream Descriptor 3 (OSD3) Control	040000h	R/W, RO
163h	OSD3STS	OSD3 Status	00h	R/WC, RO
164h–167h	OSD3LPIB	OSD3 Link Position in Buffer	00000000h	RO
168h–16Bh	OSD3CBL	OSD3 Cyclic Buffer Length	00000000h	R/W
16Ch–16Dh	OSD3LVI	OSD3 Last Valid Index	0000h	R/W
16Eh–16Fh	OSD3FIFOW	OSD3 FIFO Watermark	0004h	R/W
170h–171h	OSD3FIFOS	OSD3 FIFO Size	00BFh	R/W
172h–173h	OSD3FMT	OSD3 Format	0000h	R/W
178h–17Bh	OSD3BDPL	OSD3 Buffer Descriptor List Pointer-Lower Base Address	00000000h	R/W, RO
17Ch–17Fh	OSD3BDPU	OSD3 Buffer Description List Pointer-Upper Base Address	00000000h	R/W



### 19.2.1 GCAP—Global Capabilities Register (Intel® High Definition Audio Controller—D27:F0)

Memory Address: HDBAR + 00h                      Attribute:                      RO  
Default Value:    4401h                              Size:                              16 bits

Bit	Description
15:12	Number of Output Stream Supported — RO. Hardwired to 0100b indicating that the Intel® ICH7 Intel® High Definition Audio controller supports 4 output streams.
11:8	Number of Input Stream Supported — RO. Hardwired to 0100b indicating that the ICH7 Intel High Definition Audio controller supports 4 input streams.
7:3	Number of Bidirectional Stream Supported — RO. Hardwired to 0 indicating that the ICH7 Intel High Definition Audio controller supports 0 bidirectional stream.
2	Reserved.
1	Number of Serial Data Out Signals — RO. Hardwired to 0 indicating that the ICH7 Intel High Definition Audio controller supports 1 serial data output signal.
0	64-bit Address Supported — RO. Hardwired to 1b indicating that the ICH7 Intel High Definition Audio controller supports 64-bit addressing for BDL addresses, data buffer addressees, and command buffer addresses.

### 19.2.2 VMIN—Minor Version Register (Intel® High Definition Audio Controller—D27:F0)

Memory Address: HDBAR + 02h                      Attribute:                      RO  
Default Value:    00h                              Size:                              8 bits

Bit	Description
7:0	Minor Version — RO. Hardwired to 0 indicating that the Intel® ICH7 supports minor revision number 00h of the Intel® High Definition Audio specification.

### 19.2.3 VMAJ—Major Version Register (Intel® High Definition Audio Controller—D27:F0)

Memory Address: HDBAR + 03h                      Attribute:                      RO  
Default Value:    01h                              Size:                              8 bits

Bit	Description
7:0	Major Version — RO. Hardwired to 01h indicating that the Intel® ICH7 supports major revision number 1 of the Intel® High Definition Audio specification.



### 19.2.4 OUTPAY—Output Payload Capability Register (Intel® High Definition Audio Controller—D27:F0)

Memory Address: HDBAR + 04h                      Attribute:                      RO  
 Default Value:                      003Ch                      Size:                      16 bits

Bit	Description
15:7	Reserved.
6:0	<p>Output Payload Capability — RO. Hardwired to 3Ch indicating 60 word payload. This field indicates the total output payload available on the link. This does not include bandwidth used for command and control. This measurement is in 16-bit word quantities per 48 MHz frame. The default link clock of 24.000 MHz (the data is double pumped) provides 1000 bits per frame, or 62.5 words in total. 40 bits are used for command and control, leaving 60 words available for data payload.</p> <p>00h = 0 word            01h = 1 word payload.            .....            FFh = 256 word payload.</p>

### 19.2.5 INPAY—Input Payload Capability Register (Intel® High Definition Audio Controller—D27:F0)

Memory Address: HDBAR + 06h                      Attribute:                      RO  
 Default Value:                      001Dh                      Size:                      16 bits

Bit	Description
15:7	Reserved.
6:0	<p>Input Payload Capability — RO. Hardwired to 1Dh indicating 29 word payload. This field indicates the total output payload available on the link. This does not include bandwidth used for response. This measurement is in 16-bit word quantities per 48 MHz frame. The default link clock of 24.000 MHz provides 500 bits per frame, or 31.25 words in total. 36 bits are used for response, leaving 29 words available for data payload.</p> <p>00h = 0 word            01h = 1 word payload.            .....            FFh = 256 word payload.</p>



### 19.2.6 GCTL—Global Control Register (Intel® High Definition Audio Controller—D27:F0)

Memory Address: HDBAR + 08h                      Attribute:                      R/W  
 Default Value: 00000000h                      Size:                      32 bits

Bit	Description
31:9	Reserved.
8	<p><b>Accept Unsolicited Response Enable</b> — R/W.</p> <p>0 = Unsolicited responses from the codecs are not accepted.            1 = Unsolicited response from the codecs are accepted by the controller and placed into the Response Input Ring Buffer.</p>
7:2	Reserved.
1	<p><b>Flush Control</b> — R/W.</p> <p>0 = Flush <b>Not</b> in progress.            1 = Writing a 1 to this bit initiates a flush. When the flush completion is received by the controller, hardware sets the Flush Status bit and clears this Flush Control bit. Before a flush cycle is initiated, the DMA Position Buffer must be programmed with a valid memory address by software, but the DMA Position Buffer bit 0 needs not be set to enable the position reporting mechanism. Also, all streams must be stopped (the associated RUN bit must be 0).</p> <p>When the flush is initiated, the controller will flush the pipelines to memory to ensure that the hardware is ready to transition to a D3 state. Setting this bit is not a critical step in the power state transition if the content of the FIFOs is not critical.</p>
0	<p><b>Controller Reset #</b> — R/W.</p> <p>0 = Writing a 0 to this bit causes the Intel High Definition Audio controller to be reset. All state machines, FIFOs, and non-resume well memory mapped configuration registers (not PCI configuration registers) in the controller will be reset. The Intel High Definition Audio link RESET# signal will be asserted, and all other link signals will be driven to their default values. After the hardware has completed sequencing into the reset state, it will report a 0 in this bit. Software must read a 0 from this bit to verify the controller is in reset.</p> <p>1 = Writing a 1 to this bit causes the controller to exit its reset state and deassert the Intel High Definition Audio link RESET# signal. Software is responsible for setting/clearing this bit such that the minimum Intel High Definition Audio link RESET# signal assertion pulse width specification is met. When the controller hardware is ready to begin operation, it will report a 1 in this bit. Software must read a 1 from this bit before accessing any controller registers. This bit defaults to a 0 after Hardware reset, therefore, software needs to write a 1 to this bit to begin operation.</p> <p><b>NOTES:</b></p> <ol style="list-style-type: none"> <li>1. The CORB/RIRB RUN bits and all stream RUN bits must be verified cleared to 0 before writing a 0 to this bit in order to assure a clean re-start.</li> <li>2. When setting or clearing this bit, software must ensure that minimum link timing requirements (minimum RESET# assertion time, etc.) are met.</li> <li>3. When this bit is 0 indicating that the controller is in reset, writes to all Intel High Definition Audio memory mapped registers are ignored as if the device is not present. The only exception is this register itself. The Global Control register is write-able as a DWord, Word, or Byte even when CRST# (this bit) is 0 if the byte enable for the byte containing the CRST# bit (Byte Enable 0) is active. If Byte Enable 0 is not active, writes to the Global Control register will be ignored when CRST# is 0. When CRST# is 0, reads to Intel High Definition</li> </ol>



### 19.2.7 WAKEEN—Wake Enable Register (Intel® High Definition Audio Controller—D27:F0)

Memory Address: HDBAR + 0Ch  
Default Value: 0000h

Attribute: R/W  
Size: 16 bits

Bit	Description
15:3	Reserved.
2:0	<p><b>SDIN Wake Enable Flags</b> — R/W. These bits control which SDI signal(s) may generate a wake event. A 1b in the bit mask indicates that the associated SDIN signal is enabled to generate a wake.</p> <p>Bit 0 is used for SDI0 Bit 1 is used for SDI1 Bit 2 is used for SDI2</p> <p><b>NOTE:</b> These bits are in the resume well and only cleared on a power on reset. Software must not make assumptions about the reset state of these bits and must set them appropriately.</p>

### 19.2.8 STATESTS—State Change Status Register (Intel® High Definition Audio Controller—D27:F0)

Memory Address: HDBAR + 0Eh  
Default Value: 0000h

Attribute: R/WC  
Size: 16 bits

Bit	Description
15:3	Reserved.
2:0	<p><b>SDIN State Change Status Flags</b> — R/WC. Flag bits that indicate which SDI signal(s) received a state change event. The bits are cleared by writing 1's to them.</p> <p>Bit 0 = SDI0 Bit 1 = SDI1 Bit 2 = SDI2</p> <p><b>NOTE:</b> These bits are in the resume well and only cleared on a power on reset. Software must not make assumptions about the reset state of these bits and must set them appropriately.</p>



### 19.2.9 GSTS—Global Status Register (Intel® High Definition Audio Controller—D27:F0)

Memory Address: HDBAR + 10h      Attribute: R/WC  
 Default Value: 0000h      Size: 16 bits

Bit	Description
15:4	Reserved.
3 (Desktop /Ultra Mobile Only)	Reserved
3 (Mobile Only)	<b>Dock Mated Interrupt Status (DMIS) — RW/C.</b> 0 = Software clears this bit by writing a 1 to it. 1 = Dock mating or unmating process has completed. For the docking process, it indicates that dock is electrically connected and that software may detect and enumerate the docked codecs. For the undocking process, it indicates that the dock is electrically isolated and that software may report to the user that physical undocking may commence. This bit gets set to a 1 by hardware when the DM bit transitions from 0-to-1 (docking) or from 1-to-0 (undocking). Note that this bit is set regardless of the state of the DMIE bit.
2 (Desktop /Ultra Mobile Only)	Reserved
2 (Mobile Only)	<b>Dock Mated (DM) — RO.</b> This bit effectively communicates to software that an Intel® HD Audio docked codec is physically and electrically attached. 0 = Controller hardware sets this bit to 0 after the undocking sequence triggered by writing a 0 to the Dock Attach (GCTL.DA) bit is completed (DOCK_EN# deasserted). This bit indicates to software that the docked codec(s) may be physically undocked. 1 = Controller hardware sets this bit to 1 after the docking sequence triggered by writing a 1 to the Dock Attach (GCTL.DA) bit is completed (AZ_DOCK_RST# deassertion). This bit indicates to software that the docked codec(s) may be discovered via the STATESTS register and then enumerated.
1	<b>Flush Status — R/WC.</b> 0 = Flush <b>not</b> completed 1 = This bit is set to 1 by hardware to indicate that the flush cycle initiated when the Flush Control bit (HDBAR + 08h, bit 1) was set has completed.  <b>NOTE:</b> Software must write a 1 to clear this bit before the next time the Flush Control bit is set to clear the bit.
0	Reserved.





### 19.2.10 ECAP—Extended Capabilities (Intel® High Definition Audio Controller—D27:F0)

Memory Address: HDBAR + 14h                      Attribute:                      R/WO  
 Default Value:                      00000001h                      Size:                      32 bits

Bit	Description
31:1	Reserved
0 (Mobile Only)	<p><b>Docking Supported (DS)</b>— R/WO. A 1 indicates that Intel® ICH7 supports Intel® HD Audio Docking. The GCTL.DA bit is only writable when this DS bit is 1. Intel HD Audio driver software should only branch to its docking routine when this DS bit is 1. BIOS may clear this bit to 0 to prohibit the Intel HD Audio driver software from attempting to run the docking routines.</p> <p><b>NOTE:</b> This bit is reset to its default value only on a PLTRST#, but not on a CRST# or D3hot-to-D0 transition.</p>

### 19.2.11 OUTSTRMPAY—Output Stream Payload Capability (Intel® High Definition Audio Controller—D27:F0)

Memory Address: HDBAR + 18h                      Attribute:                      RO  
 Default Value:                      0030h                      Size:                      16 bits

Bit	Description
15:14	<p><b>Output FIFO Padding Type (OPADTYPE)</b> — RO. This field indicates how the controller pads the samples in the controller's buffer (FIFO). Controllers may not pad at all or may pad to byte or memory container sizes.</p> <p>0h = Controller pads all samples to bytes            1h = Reserved            2h = Controller pads to memory container size            3h = Controller does not pad and uses samples directly</p>
13:0	<p><b>Output Stream Payload Capability (OUTSTRMPAY)</b> — RO. This field indicates maximum number of words per frame for any single output stream. This measurement is in 16 bit word quantities per 48 kHz frame. The maximum supported is 48 Words (96B); therefore, a value of 30h is reported in this register. The value does not specify the number of words actually transmitted in the frame, but is the size of the data in the controller buffer (FIFO) after the samples are padded as specified by OPADTYPE. Thus, to compute the supported streams, each sample is padded according to OPADTYPE and then multiplied by the number of channels and samples per frame. If this computed value is larger than OUTSTRMPAY, then that stream is not supported. The value specified is not affected by striping.</p> <p>Software must ensure that a format that would cause more Words per frame than indicated is not programmed into the Output Stream Descriptor Register.</p> <p>The value may be larger than the OUTPAY register value in some cases.</p>



### 19.2.12 INSTRMPAY—Input Stream Payload Capability (Intel® High Definition Audio Controller—D27:F0)

Memory Address: HDBAR + 1Ah                      Attribute:                      RO  
Default Value:     0018h                              Size:                              16 bits

Bit	Description
15:14	<p><b>Input FIFO Padding Type (IPADTYPE)</b> — RO. This field indicates how the controller pads the samples in the controller's buffer (FIFO). Controllers may not pad at all or may pad to byte or memory container sizes.</p> <p>0h = Controller pads all samples to bytes 1h = Reserved 2h = Controller pads to memory container size 3h = Controller does not pad and uses samples directly</p>
13:0	<p><b>Input Stream Payload Capability (INSTRMPAY)</b> — RO. This field indicates the maximum number of Words per frame for any single input stream. This measurement is in 16-bit Word quantities per 48-kHz frame. The maximum supported is 24 Words (48B); therefore, a value of 18h is reported in this register.</p> <p>The value does not specify the number of words actually transmitted in the frame, but is the size of the data as it will be placed into the controller's buffer (FIFO). Thus, samples will be padded according to IPADTYPE before being stored into controller buffer. To compute the supported streams, each sample is padded according to IPADTYPE and then multiplied by the number of channels and samples per frame. If this computed value is larger than INSTRMPAY, then that stream is not supported. As the inbound stream tag is not stored with the samples it is not included in the word count.</p> <p>The value may be larger than INPAY register value in some cases, although values less than INPAY may also be invalid due to overhead. Software must ensure that a format that would cause more Words per frame than indicated is not programmed into the Input Stream Descriptor Register.</p>



### 19.2.13 INTCTL—Interrupt Control Register (Intel® High Definition Audio Controller—D27:F0)

Memory Address: HDBAR + 20h  
Default Value: 00000000h

Attribute: R/W  
Size: 32 bits

Bit	Description
31	<p><b>Global Interrupt Enable (GIE)</b> — R/W. Global bit to enable device interrupt generation.</p> <p>0 = Disable. 1 = Enable. The Intel® High Definition Audio function is enabled to generate an interrupt. This control is in addition to any bits in the bus specific address space, such as the Interrupt Enable bit in the PCI configuration space.</p> <p><b>NOTE:</b> This bit is not affected by the D3<sub>HOT</sub> to D0 transition.</p>
30	<p><b>Controller Interrupt Enable (CIE)</b> — R/W. Enables the general interrupt for controller functions.</p> <p>0 = Disable. 1 = Enable. The controller generates an interrupt when the corresponding status bit gets set due to a Response Interrupt, a Response Buffer Overrun, and State Change events.</p> <p><b>NOTE:</b> This bit is not affected by the D3<sub>HOT</sub> to D0 transition.</p>
29:8	Reserved
7:0	<p><b>Stream Interrupt Enable (SIE)</b> — R/W.</p> <p>0 = Disable. 1 = Enable. When set to 1, the individual streams are enabled to generate an interrupt when the corresponding status bits get set.</p> <p>A stream interrupt will be caused as a result of a buffer with IOC = 1 in the BDL entry being completed, or as a result of a FIFO error (underrun or overrun) occurring. Control over the generation of each of these sources is in the associated Stream Descriptor.</p> <p>The streams are numbered and the SIE bits assigned sequentially, based on their order in the register set.</p> <p>Bit 0 = input stream 1 Bit 1 = input stream 2 Bit 2 = input stream 3 Bit 3 = input stream 4 Bit 4 = output stream 1 Bit 5 = output stream 2 Bit 6 = output stream 3 Bit 7 = output stream 4</p>



### 19.2.14 INTSTS—Interrupt Status Register (Intel® High Definition Audio Controller—D27:F0)

Memory Address: HDBAR + 24h      Attribute: RO  
 Default Value: 00000000h      Size: 32 bits

Bit	Description
31	<p>Global Interrupt Status (GIS) — RO. This bit is an OR of all the interrupt status bits in this register.</p> <p><b>NOTE:</b> This bit is not affected by the D3<sub>HOT</sub> to D0 transition.</p>
30	<p><b>Controller Interrupt Status (CIS)</b> — RO. Status of general controller interrupt.</p> <p>0 = An interrupt condition did <b>Not</b> occur as described below.          1 = An interrupt condition occurred due to a Response Interrupt, a Response Buffer Overrun Interrupt, or a SDIN State Change event. The exact cause can be determined by interrogating other registers. This bit is an OR of all of the stated interrupt status bits for this register.</p> <p><b>NOTES:</b></p> <ol style="list-style-type: none"> <li>This bit is set regardless of the state of the corresponding interrupt enable bit, but a hardware interrupt will not be generated unless the corresponding enable bit is set.</li> <li>This bit is not affected by the D3<sub>HOT</sub> to D0 transition.</li> </ol>
29:8	Reserved
7:0	<p><b>Stream Interrupt Status (SIS)</b> — RO.</p> <p>0 = An interrupt condition did <b>Not</b> occur on the corresponding stream.          1 = An interrupt condition occurred on the corresponding stream. This bit is an OR of all of the stream's interrupt status bits.</p> <p><b>NOTE:</b> These bits are set regardless of the state of the corresponding interrupt enable bits.</p> <p>The streams are numbered and the SIE bits assigned sequentially, based on their order in the register set.</p> <p>Bit 0 = input stream 1          Bit 1 = input stream 2          Bit 2 = input stream 3          Bit 3 = input stream 4          Bit 4 = output stream 1          Bit 5 = output stream 2          Bit 6 = output stream 3          Bit 7 = output stream 4</p>



### 19.2.15 WALCLK—Wall Clock Counter Register (Intel® High Definition Audio Controller—D27:F0)

Memory Address: HDBAR + 30h                      Attribute:                      RO  
 Default Value:                      00000000h                      Size:                      32 bits

Bit	Description
31:0	<p>Wall Clock Counter — RO. This 32-bit counter field is incremented on each link BCLK period and rolls over from FFFF FFFFh to 0000 0000h. This counter will roll over to 0 with a period of approximately 179 seconds.</p> <p>This counter is enabled while the BCLK bit is set to 1. Software uses this counter to synchronize between multiple controllers. Will be reset on controller reset.</p>

### 19.2.16 SSYNC—Stream Synchronization Register (Intel® High Definition Audio Controller—D27:F0)

Memory Address: HDBAR + 34h                      Attribute:                      R/W  
 Default Value:                      00000000h                      Size:                      32 bits

Bit	Description
31:8	Reserved
7:0	<p><b>Stream Synchronization (SSYNC) — R/W.</b></p> <p>0 = Data is <b>Not</b> blocked from being sent on or received from the link            1 = The set bits block data from being sent on or received from the link. Each bit controls the associated stream descriptor (i.e., bit 0 corresponds to the first stream descriptor, etc.)</p> <p>To synchronously start a set of DMA engines, these bits are first set to 1. The RUN bits for the associated stream descriptors are then set to 1 to start the DMA engines. When all streams are ready (FIFORDY = 1), the associated SSYNC bits can all be set to 0 at the same time, and transmission or reception of bits to or from the link will begin together at the start of the next full link frame.</p> <p>To synchronously stop the streams, first these bits are set, and then the individual RUN bits in the stream descriptor are cleared by software.</p> <p>If synchronization is not desired, these bits may be left as 0, and the stream will simply begin running normally when the stream's RUN bit is set.</p> <p>The streams are numbered and the SIE bits assigned sequentially, based on their order in the register set.</p> <p>Bit 0 = input stream 1            Bit 1 = input stream 2            Bit 2 = input stream 3            Bit 3 = input stream 4            Bit 4 = output stream 1            Bit 5 = output stream 2            Bit 6 = output stream 3            Bit 7 = output stream 4</p>



### 19.2.17 CORBLBASE—CORB Lower Base Address Register (Intel® High Definition Audio Controller—D27:F0)

Memory Address: HDBAR + 40h                      Attribute:                      R/W, RO  
Default Value:    00000000h                      Size:                              32 bits

Bit	Description
31:7	<b>CORB Lower Base Address</b> — R/W. This field is the lower address of the Command Output Ring Buffer, allowing the CORB base address to be assigned on any 128-B boundary. This register field must not be written when the DMA engine is running or the DMA transfer may be corrupted.
6:0	<b>CORB Lower Base Unimplemented Bits</b> — RO. Hardwired to 0. This requires the CORB to be allocated with 128B granularity to allow for cache line fetch optimizations.

### 19.2.18 CORBUBASE—CORB Upper Base Address Register (Intel® High Definition Audio Controller—D27:F0)

Memory Address: HDBAR + 44h                      Attribute:                      R/W  
Default Value:    00000000h                      Size:                              32 bits

Bit	Description
31:0	<b>CORB Upper Base Address</b> — R/W. This field is the upper 32 bits of the address of the Command Output Ring buffer. This register field must not be written when the DMA engine is running or the DMA transfer may be corrupted.

### 19.2.19 CORBWP—CORB Write Pointer Register (Intel® High Definition Audio Controller—D27:F0)

Memory Address: HDBAR + 48h                      Attribute:                      R/W  
Default Value:    0000h                              Size:                              16 bits

Bit	Description
15:8	Reserved.
7:0	<b>CORB Write Pointer</b> — R/W. Software writes the last valid CORB entry offset into this field in DWord granularity. The DMA engine fetches commands from the CORB until the Read pointer matches the Write pointer. Supports 256 CORB entries (256x4B = 1KB). This register field may be written when the DMA engine is running.



### 19.2.20 CORBRP—CORB Read Pointer Register (Intel® High Definition Audio Controller—D27:F0)

Memory Address: HDBAR + 4Ah                      Attribute:                      R/W  
 Default Value:                      0000h                      Size:                      16 bits

Bit	Description
15	<b>CORB Read Pointer Reset</b> — R/W. Software writes a 1 to this bit to reset the CORB Read Pointer to 0 and clear any residual prefetched commands in the CORB hardware buffer within the Intel® High Definition Audio controller. The hardware will physically update this bit to 1 when the CORB Pointer reset is complete. Software must read a 1 to verify that the reset completed correctly. Software must clear this bit back to 0 and read back the 0 to verify that the clear completed correctly. The CORB DMA engine must be stopped prior to resetting the Read Pointer or else DMA transfer may be corrupted.
14:8	Reserved.
7:0	<b>CORB Read Pointer (CORBRP)</b> — RO. Software reads this field to determine how many commands it can write to the CORB without over-running. The value read indicates the CORB Read Pointer offset in DWord granularity. The offset entry read from this field has been successfully fetched by the DMA controller and may be over-written by software. Supports 256 CORB entries (256 x 4B=1KB). This field may be read while the DMA engine is running.

### 19.2.21 CORBCTL—CORB Control Register (Intel® High Definition Audio Controller—D27:F0)

Memory Address: HDBAR + 4Ch                      Attribute:                      R/W  
 Default Value:                      00h                      Size:                      8 bits

Bit	Description
7:2	Reserved.
1	<b>Enable CORB DMA Engine</b> — R/W. After software writes a 0 to this bit, the hardware may not stop immediately. The hardware will physically update the bit to 0 when the DMA engine is truly stopped. Software must read a 0 from this bit to verify that the DMA engine is truly stopped. 0 = DMA stop 1 = DMA run
0	<b>CORB Memory Error Interrupt Enable</b> — R/W. 0 = Disable. 1 = Enable. The controller will generate an interrupt if the CMEI status bit (HDBAR + 4Dh: bit 0) is set.



### 19.2.22 CORBST—CORB Status Register (Intel® High Definition Audio Controller—D27:F0)

Memory Address: HDBAR + 4Dh                      Attribute:                      R/WC  
 Default Value:    00h                                      Size:                                8 bits

Bit	Description
7:1	Reserved.
0	<p><b>CORB Memory Error Indication (CMEI)</b> — R/WC.            0 = Error <b>Not</b> detected.            1 = The controller has detected an error in the path way between the controller and memory. This may be an ECC bit error or any other type of detectable data error which renders the command data fetched invalid.</p> <p><b>NOTE:</b> Software can clear this bit by writing a 1 to it. However, this type of error leaves the audio subsystem in an un-viable state and typically requires a controller reset by writing a 0 to the Controller Reset # bit (HDBAR + 08h: bit 0).</p>

### 19.2.23 CORBSIZE—CORB Size Register (Intel® High Definition Audio Controller—D27:F0)

Memory Address: HDBAR + 4Eh                      Attribute:                      RO  
 Default Value:    42h                                      Size:                                8 bits

Bit	Description
7:4	CORB Size Capability — RO. Hardwired to 0100b indicating that the ICH7 only supports a CORB size of 256 CORB entries (1024B).
3:2	Reserved.
1:0	CORB Size — RO. Hardwired to 10b which sets the CORB size to 256 entries (1024B).

### 19.2.24 RIRBLBASE—RIRB Lower Base Address Register (Intel® High Definition Audio Controller—D27:F0)

Memory Address: HDBAR + 50h                      Attribute:                      R/W, RO  
 Default Value:    00000000h                                      Size:                                32 bits

Bit	Description
31:7	<b>RIRB Lower Base Address</b> — R/W. This field is the lower address of the Response Input Ring Buffer, allowing the RIRB base address to be assigned on any 128-B boundary. This register field must not be written when the DMA engine is running or the DMA transfer may be corrupted.
6:0	<b>RIRB Lower Base Unimplemented Bits</b> — RO. Hardwired to 0. This required the RIRB to be allocated with 128-B granularity to allow for cache line fetch optimizations.





### 19.2.25 RIRBUBASE—RIRB Upper Base Address Register (Intel® High Definition Audio Controller—D27:F0)

Memory Address: HDBAR + 54h                      Attribute:                      R/W  
 Default Value:                      00000000h                      Size:                      32 bits

Bit	Description
31:0	<b>RIRB Upper Base Address</b> — R/W. This field is the upper 32 bits of the address of the Response Input Ring Buffer. This register field must not be written when the DMA engine is running or the DMA transfer may be corrupted.

### 19.2.26 RIRBWP—RIRB Write Pointer Register (Intel® High Definition Audio Controller—D27:F0)

Memory Address: HDBAR + 58h                      Attribute:                      R/W, RO  
 Default Value:                      0000h                      Size:                      16 bits

Bit	Description
15	<b>RIRB Write Pointer Reset</b> — R/W. Software writes a 1 to this bit to reset the RIRB Write Pointer to 0. The RIRB DMA engine must be stopped prior to resetting the Write Pointer or else DMA transfer may be corrupted. This bit is always read as 0.
14:8	Reserved.
7:0	<b>RIRB Write Pointer (RIRBWP)</b> — RO. This field indicates the last valid RIRB entry written by the DMA controller. Software reads this field to determine how many responses it can read from the RIRB. The value read indicates the RIRB Write Pointer offset in 2 DWord RIRB entry units (since each RIRB entry is 2 DWords long). Supports up to 256 RIRB entries (256 x 8 B = 2 KB). This register field may be written when the DMA engine is running.



### 19.2.27 RINTCNT—Response Interrupt Count Register (Intel® High Definition Audio Controller—D27:F0)

Memory Address: HDBAR + 5Ah                      Attribute:                      R/W  
 Default Value:    0000h                              Size:                              16 bits

Bit	Description
15:8	Reserved.
7:0	<p><b>N Response Interrupt Count</b> — R/W.                      0000 0001b = 1 response sent to RIRB                      .....                      1111 1111b = 255 responses sent to RIRB                      0000 0000b = 256 responses sent to RIRB</p> <p>The DMA engine should be stopped when changing this field or else an interrupt may be lost.</p> <p>Note that each response occupies 2 DWords in the RIRB.                      This is compared to the total number of responses that have been returned, as opposed to the number of frames in which there were responses. If more than one codec responds in one frame, then the count is increased by the number of responses received in the frame.</p>

### 19.2.28 RIRBCTL—RIRB Control Register (Intel® High Definition Audio Controller—D27:F0)

Memory Address: HDBAR + 5Ch                      Attribute:                      R/W  
 Default Value:    00h    Size:    8 bits

Bit	Description
7:3	Reserved.
2	<p><b>Response Overrun Interrupt Control</b> — R/W.                      0 = Hardware will <b>Not</b> generated an interrupt as described below.                      1 = The hardware will generate an interrupt when the Response Overrun Interrupt Status bit (HDBAR + 5Dh: bit 2) is set.</p>
1	<p><b>Enable RIRB DMA Engine</b> — R/W. After software writes a 0 to this bit, the hardware may not stop immediately. The hardware will physically update the bit to 0 when the DMA engine is truly stopped. Software must read a 0 from this bit to verify that the DMA engine is truly stopped.                      0 = DMA stop                      1 = DMA run</p>
0	<p><b>Response Interrupt Control</b> — R/W.                      0 = Disable Interrupt                      1 = Generate an interrupt after N number of responses are sent to the RIRB buffer OR when an empty Response slot is encountered on all SDI[x] inputs (whichever occurs first). The N counter is reset when the interrupt is generated.</p>



### 19.2.29 RIRBSTS—RIRB Status Register (Intel® High Definition Audio Controller—D27:F0)

Memory Address: HDBAR + 5Dh                      Attribute:                      R/WC  
 Default Value:                      00h                      Size:                      8 bits

Bit	Description
7:3	Reserved.
2	<b>Response Overrun Interrupt Status</b> — R/WC. 0 = Software clears this bit by writing a 1 to it. 1 = Software sets this bit to 1 when the RIRB DMA engine is not able to write the incoming responses to memory before additional incoming responses overrun the internal FIFO. When the overrun occurs, the hardware will drop the responses that overrun the buffer. An interrupt may be generated if the Response Overrun Interrupt Control bit is set. Note that this status bit is set even if an interrupt is not enabled for this event.
1	Reserved.
0	<b>Response Interrupt</b> — R/WC. 0 = Software clears this bit by writing a 1 to it. 1 = Hardware sets this bit to 1 when an interrupt has been generated after N number of Responses are sent to the RIRB buffer OR when an empty Response slot is encountered on all SDI[x] inputs (whichever occurs first). Note that this status bit is set even if an interrupt is not enabled for this event.

### 19.2.30 RIRBSIZE—RIRB Size Register (Intel® High Definition Audio Controller—D27:F0)

Memory Address: HDBAR + 5Eh                      Attribute:                      RO  
 Default Value:                      42h                      Size:                      8 bits

Bit	Description
7:4	RIRB Size Capability — RO. Hardwired to 0100b indicating that the ICH7 only supports a RIRB size of 256 RIRB entries (2048B)
3:2	Reserved.
1:0	RIRB Size — RO. Hardwired to 10b which sets the CORB size to 256 entries (2048B)

### 19.2.31 IC—Immediate Command Register (Intel® High Definition Audio Controller—D27:F0)

Memory Address: HDBAR + 60h                      Attribute:                      R/W  
 Default Value:                      00000000h                      Size:                      32 bits

Bit	Description
31:0	<b>Immediate Command Write</b> — R/W. The command to be sent to the codec via the Immediate Command mechanism is written to this register. The command stored in this register is sent out over the link during the next available frame after a 1 is written to the ICB bit (HDBAR + 68h: bit 0)



### 19.2.32 IR—Immediate Response Register (Intel® High Definition Audio Controller—D27:F0)

Memory Address: HDBAR + 64h                      Attribute:                      RO  
Default Value:    00000000h                      Size:                              32 bits

Bit	Description
31:0	Immediate Response Read (IRR) — RO. This register contains the response received from a codec resulting from a command sent via the Immediate Command mechanism. If multiple codecs responded in the same time, there is no assurance as to which response will be latched. Therefore, broadcast-type commands must not be issued via the Immediate Command mechanism.

### 19.2.33 IRS—Immediate Command Status Register (Intel® High Definition Audio Controller—D27:F0)

Memory Address: HDBAR + 68h                      Attribute:                      R/W, R/WC  
Default Value:    0000h    Size:                              16 bits

Bit	Description
15:2	Reserved.
1	<b>Immediate Result Valid (IRV)</b> — R/WC. 0 = Software must clear this bit by writing a 1 to it before issuing a new command so that the software may determine when a new response has arrived. 1 = Set to 1 by hardware when a new response is latched into the Immediate Response register (HDBAR + 64). This is a status flag indicating that software may read the response from the Immediate Response register.
0	<b>Immediate Command Busy (ICB)</b> — R/W. When this bit is read as 0, it indicates that a new command may be issued using the Immediate Command mechanism. When this bit transitions from 0-to-1 (via software writing a 1), the controller issues the command currently stored in the Immediate Command register to the codec over the link. When the corresponding response is latched into the Immediate Response register, the controller hardware sets the IRV flag and clears the ICB bit back to 0.  <b>NOTE:</b> An Immediate Command must not be issued while the CORB/RIRB mechanism is operating, otherwise the responses conflict. This must be enforced by software.



### 19.2.34 DPLBASE—DMA Position Lower Base Address Register (Intel® High Definition Audio Controller—D27:F0)

Memory Address: HDBAR + 70h  
 Default Value: 00000000h

Attribute: R/W, RO  
 Size: 32 bits

Bit	Description
31:7	<b>DMA Position Lower Base Address</b> — R/W. Lower 32 bits of the DMA Position Buffer Base Address. This register field must not be written when any DMA engine is running or the DMA transfer may be corrupted. This same address is used by the Flush Control and must be programmed with a valid value before the Flush Control bit (HDBAR+08h:bit 1) is set.
6:1	DMA Position Lower Base Unimplemented bits — RO. Hardwired to 0 to force the 128-byte buffer alignment for cache line write optimizations.
0	<b>DMA Position Buffer Enable</b> — R/W. 0 = Disable. 1 = Enable. The controller will write the DMA positions of each of the DMA engines to the buffer in the main memory periodically (typically once per frame). Software can use this value to determine what data in memory is valid data.

### 19.2.35 DPUBASE—DMA Position Upper Base Address Register (Intel® High Definition Audio Controller—D27:F0)

Memory Address: HDBAR + 74h  
 Default Value: 00000000h

Attribute: R/W  
 Size: 32 bits

Bit	Description
31:0	<b>DMA Position Upper Base Address</b> — R/W. Upper 32 bits of the DMA Position Buffer Base Address. This register field must not be written when any DMA engine is running or the DMA transfer may be corrupted.



### 19.2.36 SDCTL—Stream Descriptor Control Register (Intel® High Definition Audio Controller—D27:F0)

Memory Address: Input Stream[0]: HDBAR + 80h      Attribute:      R/W, RO  
 Input Stream[1]: HDBAR + A0h  
 Input Stream[2]: HDBAR + C0h  
 Input Stream[3]: HDBAR + E0h  
 Output Stream[0]: HDBAR + 100h  
 Output Stream[1]: HDBAR + 120h  
 Output Stream[2]: HDBAR + 140h  
 Output Stream[3]: HDBAR + 160h

Default Value: 040000h

Size: 24 bits

Bit	Description
23:20	<p><b>Stream Number</b> — R/W. This value reflects the Tag associated with the data being transferred on the link.</p> <p>When data controlled by this descriptor is sent out over the link, it will have its stream number encoded on the SYNC signal.</p> <p>When an input stream is detected on any of the SDI signals that match this value, the data samples are loaded into FIFO associated with this descriptor.</p> <p>Note that while a single SDI input may contain data from more than one stream number, two different SDI inputs may not be configured with the same stream number.</p> <p>0000 = Reserved            0001 = Stream 1            .....            1110 = Stream 14            1111 = Stream 15</p>
19	<p><b>Bidirectional Direction Control</b> — RO. This bit is only meaningful for bidirectional streams; therefore, this bit is hardwired to 0.</p>
18 (Desktop and Mobile Only)	<p><b>Traffic Priority</b> — RO. Hardwired to 1 indicating that all streams will use VC1 if it is enabled through the PCI Express* registers.</p>
18 (Ultra Mobile Only)	<p>Reserved</p>
17:16	<p><b>Stripe Control</b> — RO. This bit is only meaningful for input streams; therefore, this bit is hardwired to 0.</p>
15:5	<p>Reserved</p>
4	<p><b>Descriptor Error Interrupt Enable</b> — R/W.            0 = Disable            1 = An interrupt is generated when the Descriptor Error Status bit is set.</p>
3	<p><b>FIFO Error Interrupt Enable</b> — R/W.            0 = Disable.            1 = Enable. This bit controls whether the occurrence of a FIFO error (overrun for input or underrun for output) will cause an interrupt or not. If this bit is not set, bit 3 in the Status register will be set, but the interrupt will not occur. Either way, the samples will be dropped.</p>



Bit	Description
2	<p><b>Interrupt on Completion Enable</b> — R/W.</p> <p>0 = Disable.</p> <p>1 = Enable. This bit controls whether or not an interrupt occurs when a buffer completes with the IOC bit set in its descriptor. If this bit is not set, bit 2 in the Status register will be set, but the interrupt will not occur.</p>
1	<p><b>Stream Run (RUN)</b> — R/W.</p> <p>0 = Disable. The DMA engine associated with this input stream will be disabled. The hardware will report a 0 in this bit when the DMA engine is actually stopped. Software must read a 0 from this bit before modifying related control registers or restarting the DMA engine.</p> <p>1 = Enable. The DMA engine associated with this input stream will be enabled to transfer data from the FIFO to the main memory. The SSYNC bit must also be cleared in order for the DMA engine to run. For output streams, the cadence generator is reset whenever the RUN bit is set.</p>
0	<p><b>Stream Reset (SRST)</b> — R/W.</p> <p>0 = Writing a 0 causes the corresponding stream to exit reset. When the stream hardware is ready to begin operation, it will report a 0 in this bit. Software must read a 0 from this bit before accessing any of the stream registers.</p> <p>1 = Writing a 1 causes the corresponding stream to be reset. The Stream Descriptor registers (except the SRST bit itself) and FIFO's for the corresponding stream are reset. After the stream hardware has completed sequencing into the reset state, it will report a 1 in this bit. Software must read a 1 from this bit to verify that the stream is in reset. The RUN bit must be cleared before SRST is asserted.</p>



### 19.2.37 SDSTS—Stream Descriptor Status Register (Intel® High Definition Audio Controller—D27:F0)

Memory Address: Input Stream[0]: HDBAR + 83h      Attribute: R/WC, RO  
 Input Stream[1]: HDBAR + A3h  
 Input Stream[2]: HDBAR + C3h  
 Input Stream[3]: HDBAR + E3h  
 Output Stream[0]: HDBAR + 103h  
 Output Stream[1]: HDBAR + 123h  
 Output Stream[2]: HDBAR + 143h  
 Output Stream[3]: HDBAR + 163h

Default Value: 00h      Size: 8 bits

Bit	Description
7:6	Reserved.
5	<p>FIFO Ready (FIFORDY) — RO.</p> <p>For output streams, the controller hardware will set this bit to 1 while the output DMA FIFO contains enough data to maintain the stream on the link. This bit defaults to 0 on reset because the FIFO is cleared on a reset.</p> <p>For input streams, the controller hardware will set this bit to 1 when a valid descriptor is loaded and the engine is ready for the RUN bit to be set.</p>
4	<p><b>Descriptor Error</b> — R/WC.</p> <p>0 = No error detected.</p> <p>1 = A serious error occurred during the fetch of a descriptor. This could be a result of a Master Abort, a parity or ECC error on the bus, or any other error which renders the current Buffer Descriptor or Buffer Descriptor list useless. This error is treated as a fatal stream error, as the stream cannot continue running. The RUN bit will be cleared and the stream will stop.</p> <p><b>NOTE:</b> Software may attempt to restart the stream engine after addressing the cause of the error and writing a 1 to this bit to clear it.</p>
3	<p><b>FIFO Error</b> — R/WC. The bit is cleared by writing a 1 to it.</p> <p>0 = No error detected.</p> <p>1 = FIFO error occurred. This bit is set even if an interrupt is not enabled.</p> <p>For an input stream, this indicates a FIFO overrun occurring while the RUN bit is set. When this happens, the FIFO pointers do not increment and the incoming data is not written into the FIFO, thereby being lost.</p> <p>For an output stream, this indicates a FIFO underrun when there are still buffers to send. The hardware should not transmit anything on the link for the associated stream if there is not valid data to send.</p>
2	<p><b>Buffer Completion Interrupt Status</b> — R/WC.</p> <p>0 = Last sample of a buffer has <b>Not</b> been processed as described below.</p> <p>1 = Set to 1 by the hardware after the last sample of a buffer has been processed, AND if the Interrupt on Completion bit is set in the command byte of the buffer descriptor. It remains active until software clears it by writing a 1 to it.</p>
1:0	Reserved.





### 19.2.38 SDLPIB—Stream Descriptor Link Position in Buffer Register (Intel® High Definition Audio Controller—D27:F0)

Memory Address: Input Stream[0]: HDBAR + 84h                      Attribute: RO  
                           Input Stream[1]: HDBAR + A4h  
                           Input Stream[2]: HDBAR + C4h  
                           Input Stream[3]: HDBAR + E4h  
                           Output Stream[0]: HDBAR + 104h  
                           Output Stream[1]: HDBAR + 124h  
                           Output Stream[2]: HDBAR + 144h  
                           Output Stream[3]: HDBAR + 164h

Default Value:        00000000h                                      Size:        32 bits

Bit	Description
31:0	Link Position in Buffer — RO. Indicates the number of bytes that have been received off the link. This register will count from 0 to the value in the Cyclic Buffer Length register and then wrap to 0.

### 19.2.39 SDCBL—Stream Descriptor Cyclic Buffer Length Register (Intel® High Definition Audio Controller—D27:F0)

Memory Address: Input Stream[0]: HDBAR + 88h                      Attribute:    R/W  
                           Input Stream[1]: HDBAR + A8h  
                           Input Stream[2]: HDBAR + C8h  
                           Input Stream[3]: HDBAR + E8h  
                           Output Stream[0]: HDBAR + 108h  
                           Output Stream[1]: HDBAR + 128h  
                           Output Stream[2]: HDBAR + 148h  
                           Output Stream[3]: HDBAR + 168h

Default Value:        00000000h                                      Size:        32 bits

Bit	Description
31:0	<b>Cyclic Buffer Length</b> — R/W. Indicates the number of bytes in the complete cyclic buffer. This register represents an integer number of samples. Link Position in Buffer will be reset when it reaches this value. Software may only write to this register after Global Reset, Controller Reset, or Stream Reset has occurred. This value should be only modified when the RUN bit is 0. Once the RUN bit has been set to enable the engine, software must not write to this register until after the next reset is asserted, or transfer may be corrupted.













## 20 High Precision Event Timer Registers

The timer registers are memory-mapped in a non-indexed scheme. This allows the processor to directly access each register without having to use an index register. The timer register space is 1024 bytes. The registers are generally aligned on 64-bit boundaries to simplify implementation with IA64 processors. There are four possible memory address ranges beginning at 1) FED0\_0000h, 2) FED0\_1000h, 3) FED0\_2000h., 4) FED0\_4000h. The choice of address range will be selected by configuration bits in the High Precision Timer Configuration Register (Chipset Configuration Registers: Offset 3404h).

Behavioral Rules:

1. Software must not attempt to read or write across register boundaries. For example, a 32-bit access should be to offset x0h, x4h, x8h, or xCh. 32-bit accesses should not be to 01h, 02h, 03h, 05h, 06h, 07h, 09h, 0Ah, 0Bh, 0Dh, 0Eh, or 0Fh. Any accesses to these offsets will result in an unexpected behavior, and may result in a master abort. However, these accesses should not result in system hangs. 64-bit accesses can only be to x0h and must not cross 64-bit boundaries.
2. Software should not write to read-only registers.
3. Software should not expect any particular or consistent value when reading reserved registers or bits.

### 20.1 Memory Mapped Registers

Table 20-1. Memory-Mapped Registers (Sheet 1 of 2)

Offset	Mnemonic	Register	Default	Type
000–007h	GCAP_ID	General Capabilities and Identification	0429B17F8 086A201h	RO
008–00Fh	—	Reserved	—	—
010–017h	GEN_CONF	General Configuration	0000h	R/W
018–01Fh	—	Reserved	—	—
020–027h	GINTR_STA	General Interrupt Status	00000000 00000000h	R/WC, R/W
028–0EFh	—	Reserved	—	—
0F0–0F7h	MAIN_CNT	Main Counter Value	N/A	R/W
0F8–0FFh	—	Reserved	—	—
100–107h	TIMO_CONF	Timer 0 Configuration and Capabilities	N/A	R/W, RO
108–10Fh	TIMO_COMP	Timer 0 Comparator Value	N/A	R/W
110–11Fh	—	Reserved	—	—
120–127h	TIM1_CONF	Timer 1 Configuration and Capabilities	N/A	R/W, RO
128–12Fh	TIM1_COMP	Timer 1 Comparator Value	N/A	R/W
130–13Fh	—	Reserved	—	—







## 20.1.2 GEN\_CONF—General Configuration Register

Address Offset: 010h      Attribute: R/W  
 Default Value: 00000000 00000000h      Size: 64 bits

Bit	Description
63:2	Reserved. These bits return 0 when read.
1	<p><b>Legacy Replacement Rout (LEG_RT_CNF)</b> — R/W. If the ENABLE_CNF bit and the LEG_RT_CNF bit are both set, then the interrupts will be routed as follows:</p> <ul style="list-style-type: none"> <li>• Timer 0 is routed to IRQ0 in 8259 or IRQ2 in the I/O APIC</li> <li>• Timer 1 is routed to IRQ8 in 8259 or IRQ8 in the I/O APIC</li> <li>• Timer 2-n is routed as per the routing in the timer n config registers.</li> <li>• If the Legacy Replacement Rout bit is set, the individual routing bits for Timers 0 and 1 (APIC) will have no impact.</li> <li>• If the Legacy Replacement Rout bit is not set, the individual routing bits for each of the timers are used.</li> <li>• This bit will default to 0. BIOS can set it to 1 to enable the legacy replacement routing, or 0 to disable the legacy replacement routing.</li> </ul>
0	<p><b>Overall Enable (ENABLE_CNF)</b> — R/W. This bit must be set to enable any of the timers to generate interrupts.</p> <p>0 = Disable. The main counter will halt (will not increment) and no interrupts will be caused by any of these timers. For level-triggered interrupts, if an interrupt is pending when the ENABLE_CNF bit is changed from 1-to-0, the interrupt status indications (in the various Txx_INT_STS bits) will not be cleared. Software must write to the Txx_INT_STS bits to clear the interrupts.</p> <p>1 = Enable.</p> <p><b>NOTE:</b> This bit will default to 0. BIOS can set it to 1 or 0.</p>

## 20.1.3 GINTR\_STA—General Interrupt Status Register

Address Offset: 020h      Attribute: R/W, R/WC  
 Default Value: 00000000 00000000h      Size: 64 bits

Bit	Description
63:3	Reserved. These bits will return 0 when read.
2	<b>Timer 2 Interrupt Active (T02_INT_STS)</b> — R/W. Same functionality as Timer 0.
1	<b>Timer 1 Interrupt Active (T01_INT_STS)</b> — R/W. Same functionality as Timer 0.
0	<p><b>Timer 0 Interrupt Active (T00_INT_STS)</b> — R/WC. The functionality of this bit depends on whether the edge or level-triggered mode is used for this timer. (default = 0)</p> <p>If set to level-triggered mode:        This bit will be set by hardware if the corresponding timer interrupt is active. Once the bit is set, it can be cleared by software writing a 1 to the same bit position. Writes of 0 to this bit will have no effect.</p> <p>If set to edge-triggered mode:        This bit should be ignored by software. Software should always write 0 to this bit.</p> <p><b>NOTE:</b> Defaults to 0. In edge triggered mode, this bit will always read as 0 and writes will have no effect.</p>





Bit	Description
13:9	<p><b>Interrupt Rout (TIMERn_INT_ROUT_CNF)</b> — R/W. This 5-bit field indicates the routing for the interrupt to the I/O (x) APIC. Software writes to this field to select which interrupt in the I/O (x) will be used for this timer's interrupt. If the value is not supported by this particular timer, then the value read back will not match what is written. The software must only write valid values.</p> <p><b>NOTES:</b></p> <ol style="list-style-type: none"> <li>1. If the Legacy Replacement Rout bit is set, then Timers 0 and 1 will have a different routing, and this bit field has no effect for those two timers.</li> <li>2. Timer 0,1: Software is responsible to make sure it programs a valid value (20, 21, 22, or 23) for this field. The ICH7 logic does not check the validity of the value written.</li> <li>3. Timer 2: Software is responsible to make sure it programs a valid value (11, 20, 21, 22, or 23) for this field. The ICH7 logic does not check the validity of the value written.</li> </ol>
8	<p><b>Timer n 32-bit Mode (TIMERn_32MODE_CNF)</b> — R/W or RO. Software can set this bit to force a 64-bit timer to behave as a 32-bit timer. This is typically needed if software is not willing to halt the main counter to read or write a particular timer, and the software is not capable of atomic 64-bit operations to the timer. This bit is only relevant if the timer is operating in 64-bit mode in which case that timer can be forced to 32-bit mode by setting this bit. When Timer 0 is switched to 32-bit mode, the upper 32-bits are loaded with 0's which will remain when the timer is switched back to 64-bit mode. If the timer is not in 64-bit mode, then this bit will always be read as 0 and writes will have no effect.</p> <p>Timer 0: Bit is read/write (default to 0). 0 = 64 bit; 1 = 32 bit Timers 1, 2: Hardwired to 0. Writes have no effect since these timers are 32-bit only.</p>
7	Reserved. This bit returns 0 when read.
6	<p><b>Timer n Value Set (TIMERn_VAL_SET_CNF)</b> — R/W. Software uses this bit only for Timer 0 if it has been set to periodic mode. By writing this bit to a 1, the software is then allowed to directly set the timer's accumulator. Software does <b>not</b> have to write this bit back to 1 (it automatically clears).</p> <p>Software should not write a 1 to this bit position if the timer is set to non-periodic mode.</p> <p><b>NOTE:</b> This bit will return 0 when read. Writes will only have an effect for Timer 0 if it is set to periodic mode. Writes will have no effect for Timers 1 and 2.</p>
5	<p><b>Timer n Size (TIMERn_SIZE_CAP)</b> — RO. This read only field indicates the size of the timer.</p> <p>Timer 0: Value is 1 (64-bits). Timers 1, 2: Value is 0 (32-bits).</p>
4	<p><b>Periodic Interrupt Capable (TIMERn_PER_INT_CAP)</b> — RO. If this bit is 1, the hardware supports a periodic mode for this timer's interrupt.</p> <p>Timer 0: Hardwired to 1 (supports the periodic interrupt). Timers 1, 2: Hardwired to 0 (does not support periodic interrupt).</p>
3	<p><b>Timer n Type (TIMERn_TYPE_CNF)</b> — R/W or RO.</p> <p>Timer 0: Bit is read/write. 0 = Disable timer to generate periodic interrupt; 1 = Enable timer to generate a periodic interrupt. Timers 1, 2: Hardwired to 0. Writes have no effect.</p>





## 21 Serial Peripheral Interface (SPI) (Desktop and Mobile Only)

The Serial Peripheral Interface resides in memory mapped space. This function contains registers that allow for the setup and programming of devices that reside on the SPI interface.

**Note:** All registers in this function (including memory-mapped registers) must be addressable in Byte, Word, and DWord quantities. The software must always make register accesses on natural boundaries (i.e., DWord accesses must be on DWord boundaries; word accesses on word boundaries, etc.) In addition, the memory-mapped register space must not be accessed with the LOCK semantic exclusive-access mechanism. If software attempts exclusive-access mechanisms to the SPI memory-mapped space, the results are undefined.

### 21.1 Serial Peripheral Interface Memory Mapped Configuration Registers

The SPI Host Interface registers are memory-mapped in the RCRB Chipset Register Space with a base address (SPIBAR) of 3020h and are located within the range of 3020h to 308Fh. The individual registers are then accessible at SPIBAR + Offset as indicated in the following table.

These memory mapped registers must be accessed in byte, word, or DWord quantities.

**Table 21-1. Serial Peripheral Interface (SPI) Register Address Map (SPI Memory Mapped Configuration Registers) (Sheet 1 of 2)**

SPIBAR + Offset	Mnemonic	Register Name	Default	Access
00h–01h	SPIS	SPI Status	See Register Description	RO, R/WC, R/WLO
02h–03h	SPIC	SPI Control	0001h	R/W
04h–07h	SPIA	SPI Address	00000000h	R/W
08h–0Fh	SPID0	SPI Data 0	See Register Description	R/W
10h–17h	SPID1	SPI Data 1	00000000 00000000h	R/W
18h–1Fh	SPID2	SPI Data 2	00000000 00000000h	R/W
20h–27h	SPID3	SPI Data 3	00000000 00000000h	R/W
28h–2Fh	SPID4	SPI Data 4	00000000 00000000h	R/W
30h–37h	SPID5	SPI Data 5	00000000 00000000h	R/W
38h–3Fh	SPID6	SPI Data 6	00000000 00000000h	R/W
40h–47h	SPID7	SPI Data 7	00000000 00000000h	R/W



**Table 21-1. Serial Peripheral Interface (SPI) Register Address Map (SPI Memory Mapped Configuration Registers) (Sheet 2 of 2)**

SPIBAR + Offset	Mnemonic	Register Name	Default	Access
50h–53h	BBAR	BIOS Base Address Configuration	00000000h	R/W
54h–55h	PREOP	Prefix Opcode Configuration	0004h	R/W
56h–57h	OPTYPE	Opcode Type Configuration	0000h	R/W
58h–5Fh	OPMENU	Opcode Menu Configuration	00000000 00000005h	R/W
60h–63h	PBR0	Protected BIOS Range 0	00000000h	R/W
64h–67h	PBR1	Protected BIOS Range 1	00000000h	R/W
68h–6Bh	PBR2	Protected BIOS Range 2	00000000h	R/W
6Ch–6Fh	—	Reserved	—	—



## 21.1.1 SPIS—SPI Status Register (SPI Memory Mapped Configuration Registers)

Memory Address: SPIBAR + 00h      Attribute:      RO, R/WC, R/WLO  
 Default Value:      See bit description      Size:      16 bits

Bit	Description
15	<p><b>SPI Configuration Lock-Down</b> — R/WLO.</p> <p>0 = <b>No</b> Lock-Down (Default)            1 = SPI Static Configuration information in offsets 50h through 6Fh can not be overwritten. Once set to 1, this bit can only be cleared by a hardware reset.</p>
14:4	Reserved
3	<p><b>Blocked Access Status</b> — R/WC.</p> <p>0 = <b>Not</b> blocked (Default)            1 = Hardware sets this bit to 1 when an access is blocked from running on the SPI interface due to one of the protection policies or when any of the programmed cycle registers is written while a programmed access is already in progress. This bit is set for both programmed accesses and direct memory reads that get blocked.</p> <p><b>NOTE:</b> This bit remains asserted until cleared by software writing a 1 or hardware reset.</p>
2	<p><b>Cycle Done Status</b>— R/WC.</p> <p>0 = <b>Not</b> done (Default)            1 = The Intel® ICH7 sets this bit to 1 when the SPI Cycle completes (i.e., SCIP bit is 0) after software sets the SCGO bit.</p> <p><b>NOTE:</b> This bit remains asserted until cleared by software writing a 1 or hardware reset.  <b>NOTE:</b> Software must make sure this bit is cleared prior to enabling the SPI SMI# assertion for a new programmed access.  <b>NOTE:</b> This bit gets set after the Status Register Polling sequence completes after reset deasserts. It is cleared before and during that sequence.</p>
1	<p><b>SPI Access Grant</b> — RO. This bit is used by the software to know when the other SPI master will not be initiating any long transactions on the SPI bus.</p> <p>0 = Default            1 = It is set by hardware in response to software setting the SPI Access Request bit and completing the Future Pending handshake with the LAN component.</p> <p><b>NOTE:</b> This bit is cleared in response to software clearing the SPI Access Request bit.</p>
0	<p><b>SPI Cycle In Progress (SCIP)</b> — RO.</p> <p>0 = Cycle <b>Not</b> in Progress (Default)            1 = Hardware sets this bit when software sets the SPI Cycle Go bit in the Command register. This bit remains set until the cycle completes on the SPI interface. Hardware automatically sets and clears this bit so that software can determine when read data is valid and/or when it is safe to begin programming the next command.</p> <p>This bit reports 1b during the Status Register Polling sequence after reset deasserts; it is cleared when that sequence completes.</p> <p><b>NOTE:</b> Software must only program the next command when this bit is 0.</p>



### 21.1.2 SPIC—SPI Control Register (SPI Memory Mapped Configuration Registers)

Memory Address: SPIBAR + 02h                      Attribute:                      R/W  
 Default Value:    4005h                              Size:                              16 bits

Bit	Description
15	<b>SPI SMI # Enable</b> — R/W. 0 = Disable. 1 = Enable. The SPI asserts an SMI# request when the Cycle Done Status bit is 1.
14	<b>DATA Cycle</b> — R/W. 0 = <b>No</b> data is delivered for this cycle, and the DBC and data fields themselves are don't cares. 1 = There is data that corresponds to this transaction.
13:8	<b>Data Byte Count (DBC)</b> — R/W. This field specifies the number of bytes to shift in or out during the data portion of the SPI cycle. The valid settings (in decimal) are any value from 0 to 63. The number of bytes transferred is the value of this field plus 1. For example, when this field is 000000b, then there is 1 byte to transfer and that 111111b means there are 64 bytes to transfer.
7	Reserved
6:4	<b>Cycle Opcode Pointer</b> — R/W. This field selects one of the programmed opcodes in the Opcode Menu to be used as the SPI Command/Opcod. In the case of an Atomic Cycle Sequence, this determines the second command.
3	<b>Sequence Prefix Opcode Pointer</b> — R/W. This field selects one of the two programmed prefix opcodes for use when performing an Atomic Cycle Sequence. By making this programmable, the Intel® ICH7 supports flash devices that have different opcodes for enabling writes to the data space vs. status register 0 = A value of 0 points to the opcode in the least significant byte of the Prefix Opcodes register.
2	<b>Atomic Cycle Sequence (ACS)</b> — R/W. 0 = <b>No</b> atomic cycle sequence. 1 = When set to 1 along with the SCGO assertion, the ICH7 will execute a sequence of commands on the SPI interface without allowing the LAN component to arbitrate and interleave cycles.
1	<b>SPI Cycle Go (SCGO)</b> — R/W. This bit always returns 0 on reads. 0 = SPI cycle <b>Not</b> started. 1 = A write to this register with a 1 in this bit starts the SPI cycle defined by the other bits of this register. The "SPI Cycle in Progress" (SCIP) bit gets set by this action.  <b>NOTE:</b> Writes to this bit while the Cycle In Progress bit is set are ignored. <b>NOTE:</b> Other bits in this register can be programmed for the same transaction when writing this bit to 1.
0	<b>SPI Access Request</b> — R/W. This bit is used by software to request that the other SPI master stop initiating long transactions on the SPI bus. 0 = <b>No</b> request. 1 = Request that the other SPI master stop initiating long transactions on the SPI bus.  <b>NOTE:</b> This bit defaults to a 1 and must be cleared by BIOS after completing the accesses for the boot process.





### 21.1.3 SPIA—SPI Address Register (SPI Memory Mapped Configuration Registers)

Memory Address: SPIBAR + 04h                      Attribute:                      R/W  
 Default Value:                      00000000h                      Size:                      32 bits

Bit	Description
31:24	Reserved
23:0	<b>SPI Cycle Address (SCA)</b> — R/W. This field is shifted out as the SPI Address (MSb first). Bits 23:0 correspond to Address bits 23:0.

### 21.1.4 SPID[N] —SPI Data N Register (SPI Memory Mapped Configuration Registers)

Memory Address: SPI Data [0]: SPIBAR + 08h                      Attribute:                      R/W  
                          SPI Data [1]: SPIBAR + 10h  
                          SPI Data [2]: SPIBAR + 18h  
                          SPI Data [3]: SPIBAR + 20h  
                          SPI Data [4]: SPIBAR + 28h  
                          SPI Data [5]: SPIBAR + 30h  
                          SPI Data [6]: SPIBAR + 38h  
                          SPI Data [7]: SPIBAR + 40h  
 Default Value:                      See Notes 1 and 2 below                      Size:                      64 bits

Bit	Description
63:0	<p><b>SPI Cycle Data [N] (SCD[N])</b> — R/W. This field is shifted out as the SPI Data on the Master-Out Slave-In Data pin during the data portion of the SPI cycle. The SCD[N] register does not begin shifting until SPID[N-1] has completely shifted in/out. This register also shifts in the data from the Master-In Slave-Out pin into this register during the data portion of the SPI cycle.</p> <p><b>NOTE:</b> The data is always shifted starting with the least significant byte, msb to lsb, followed by the next least significant byte, msb to lsb, etc. Specifically, the shift order on SPI in terms of bits within this register is: 7-6-5-4-3-2-1-0-15-14-13-...8-23-22-...16-31...24-39..32...etc. Bit 56 is the last bit shifted out/in. There are no alignment assumptions; byte 0 always represents the value specified by the cycle address.</p> <p><b>NOTE:</b> The data in this register may be modified by the hardware during any programmed SPI transaction. Direct Memory Reads do not modify the contents of this register.</p>

#### NOTES:

1. For SPI Data [7:1] Registers Only: Default value is 0000000000000000h.
2. For SPI Data 0 Register default value only: This register is initialized to 0 by the reset assertion. However, the least significant byte of this register is loaded with the first Status Register read of the Atomic Cycle Sequence that the hardware automatically runs out of reset. Therefore, bit 0 of this register can be read later to determine if the platform encountered the boundary case in which the SPI flash was busy with an internal instruction when the platform reset deasserted.



### 21.1.5 BBAR—BIOS Base Address Register (SPI Memory Mapped Configuration Registers)

Memory Address: SPIBAR + 50h                      Attribute:                      R/W  
Default Value: 00000000h                      Size:                      32 bits

Bit	Description
31:24	Reserved.
23:8	<b>Bottom of System Flash</b> — R/W. This field determines the bottom of the System BIOS. The Intel® ICH7 will not run programmed commands nor memory reads whose address field is less than this value. This field corresponds to bits 23:8 of the 3-byte address; bits 7:0 are assumed to be 00h for this vector when comparing to a potential SPI address.  <b>NOTE:</b> Software must always program 1s into the upper, Don't Care, bits of this field based on the flash size. Hardware does not know the size of the flash array and relies upon the correct programming by software. The default value of 0000h results in all cycles allowed.  <b>NOTE:</b> In the event that this value is programmed below some of the BIOS Memory segments, described above, this protection policy takes precedence.
7:0	Reserved

**NOTE:** This register is not writable when the SPI Configuration Lock-Down bit (SPIBAR + 00h:15) is set.

### 21.1.6 PREOP—Prefix Opcode Configuration Register (SPI Memory Mapped Configuration Registers)

Memory Address: SPIBAR + 54h                      Attribute:                      R/W  
Default Value: 0004h                      Size:                      16 bits

Bit	Description
15:8	<b>Prefix Opcode 1</b> — R/W. Software programs an SPI opcode into this field that is permitted to run as the first command in an atomic cycle sequence.
7:0	<b>Prefix Opcode 0</b> — R/W. Software programs an SPI opcode into this field that is permitted to run as the first command in an atomic cycle sequence.

**NOTE:** This register is not writable when the SPI Configuration Lock-Down bit (SPIBAR + 00h:15) is set.



## 21.1.7 OPTYPE—Opcode Type Configuration Register (SPI Memory Mapped Configuration Registers)

Memory Address: SPIBAR + 56h                      Attribute:                      R/W  
 Default Value:                      0000h                      Size:                      16 bits

Entries in this register correspond to the entries in the Opcode Menu Configuration register.

**Note:** The definition below only provides write protection for opcodes that have addresses associated with them. Therefore, any erase or write opcodes that do not use an address should be avoided (for example, “Chip Erase” and “Auto-Address Increment Byte Program”)

Bit	Description
15:14	<b>Opcode Type 7</b> — R/W. See the description for bits 1:0
13:12	<b>Opcode Type 6</b> — R/W. See the description for bits 1:0
11:10	<b>Opcode Type 5</b> — R/W. See the description for bits 1:0
9:8	<b>Opcode Type 4</b> — R/W. See the description for bits 1:0
7:6	<b>Opcode Type 3</b> — R/W. See the description for bits 1:0
5:4	<b>Opcode Type 2</b> — R/W. See the description for bits 1:0
3:2	<b>Opcode Type 1</b> — R/W. See the description for bits 1:0
1:0	<p><b>Opcode Type 0</b> — R/W. This field specifies information about the corresponding Opcode 0. This information allows the hardware to, 1) know whether to use the address field and, 2) provide BIOS and Shared Flash protection capabilities. The encoding of the two bits is:</p> <p>00 = No address associated with this Opcode; Read cycle type            01 = No address associated with this Opcode; Write cycle type            10 = Address required; Read cycle type            11 = Address required; Write cycle type</p>

**NOTE:** This register is not writable when the SPI Configuration Lock-Down bit (SPIBAR + 00h:15) is set.



### 21.1.8 OPMENU—Opcode Menu Configuration Register (SPI Memory Mapped Configuration Registers)

Memory Address: SPIBAR + 58h      Attribute: R/W  
Default Value: 000000000000005h      Size: 64 bits

Eight entries are available in this register to give BIOS a sufficient set of commands for communicating with the flash device, while also restricting what malicious software can do. This keeps the hardware flexible enough to operate with a wide variety of SPI devices.

**Note:** It is recommended that BIOS avoid programming Write Enable opcodes in this menu. Malicious software could then perform writes and erases to the SPI flash without using the atomic cycle mechanism. This could cause functional failures in a shared flash environment. Write Enable opcodes should only be programmed in the Prefix Opcodes.

Bit	Description
63:56	<b>Allowable Opcode 7</b> — R/W. See the description for bits 7:0
55:48	<b>Allowable Opcode 6</b> — R/W. See the description for bits 7:0
47:40	<b>Allowable Opcode 5</b> — R/W. See the description for bits 7:0
39:32	<b>Allowable Opcode 4</b> — R/W. See the description for bits 7:0
31:24	<b>Allowable Opcode 3</b> — R/W. See the description for bits 7:0
23:16	<b>Allowable Opcode 2</b> — R/W. See the description for bits 7:0
15:8	<b>Allowable Opcode 1</b> — R/W. See the description for bits 7:0
7:0	<b>Allowable Opcode 0</b> — R/W. Software programs an SPI opcode into this field for use when initiating SPI commands through the Control Register.

**NOTE:** This register is not writable when the SPI Configuration Lock-Down bit (SPIBAR + 00h:15) is set.

### 21.1.9 PBR[N]—Protected BIOS Range [N] (SPI Memory Mapped Configuration Registers)

Memory Address: PBR[0]: SPIBAR + 60h      Attribute: R/W  
PBR[1]: SPIBAR + 64h  
PBR[2]: SPIBAR + 68h  
Default Value: 00000000h      Size: 32 bits

Bit	Description
31	<b>Write Protection Enable</b> — R/W. 0 = Disable. The base and limit fields are ignored when this bit is cleared. 1 = Enable. The Base and Limit fields in this register are valid.
30:24	Reserved
23:12	<b>Protected Range Limit</b> — R/W. This field corresponds to SPI address bits 23:12 and specifies the upper limit of the protected range. <b>NOTE:</b> Any address greater than the value programmed in this field is unaffected by this protected range.
11:0	<b>Protected Range Base</b> — R/W. This field corresponds to SPI address bits 23:12 and specifies the lower base of the protected range. <b>NOTE:</b> Address bits 11:0 are assumed to be 000h for the base comparison. Any address less than the value programmed in this field is unaffected by this protected range.

**NOTE:** This register is not writable when the SPI Configuration Lock-Down bit (SPIBAR + 00h:15) is set.



## 22 Ballout Definition

---

This chapter contains the Intel® ICH7 family ballout information.

### 22.1 Desktop, Mobile, and Digital Home Component Ballout

Figure 22-1 and Figure 22-2 are the ballout map of the ICH7 Desktop, Mobile, and Digital Home components. These components are in a 652 BGA package. Table 22-1 is a BGA ball list, sorted alphabetically by signal name.

**Note:**

1. † — Throughout this section, the symbol “†” indicates a signal that is Reserved on the 82801GB ICH7 base component but is used by other ICH7 Desktop/Mobile/Digital Home Family components. This pertains to the signals for PCI Express Ports 5 and 6; these signals are not on the ICH7 base and are reserved (Marked as “Reserved†”).
2. †† — Throughout this section, the symbol “††” indicates a Digital Home Only signal. These signals are only on the 82801GDH ICH7DH.
3. \* — Throughout this section, the symbol “\*” indicates a Mobile Only signal. These signals are only on the 82801GBM ICH7-M and 82801GHM ICH7-M DH.
4. \*\* — Throughout this section, the symbol “\*\*” indicates a Desktop Only signal (82801GB ICH7, 82801GR ICH7R, and 82801GDH ICH7DH).
5. NC = No Connect



Figure 22-1. Desktop and Mobile Component Ballout (Topview–Left Side)

	1	2	3	4	5	6	7	8	9	10	11	12	13	14							
A	Vcc1_5_A	OC6# / GPIO30	PIRQA#	Vss	Vcc3_3	AD27	IRDY#	AD26	PCICLK	AD20	AD19	DEVSEL#	REQ4# / GPIO22	GNT4# / GPIO48							
B	Vss	CLK48	OC7# / GPIO31	PIRQB#	PIRQD#	AD29	Vcc3_3	Vss	AD25	SERR#	Vss	AD12	Vcc3_3	Vss							
C	VccUSBPLL	Vss	OC5# / GPIO29	OC1#	PIRQC#	Vss	AD28	GPIO1 / REQ5#	PERR#	Vcc3_3	AD17	C/BE1#	AD13	AD9							
D	USBRBIAS	USBRBIAS#	OC0#	OC3#	OC2#	AD31	REQ0#	GPIO17 / GNT5#	AD24	Vss	AD18	C/BE2#	Vss	AD11							
E	Vss	Vss	VccSus3_3	Vss	OC4#	AD30	GNT0#	Vss	AD23	PAR	PLOCK#	AD16	REQ3#	AD10							
F	USBP0N	USBP0P	Vss	Vss	Vss	V5REF_Sus	GPIO3 / PIRQF#	GPIO4 / PIRQG#	Vcc3_3	AD22	AD21	Vss	GNT3#	TRDY#							
G	Vss	Vss	USBP1P	USBP1N	Vss	Vss	GPIO5 / PIRQH#	GPIO2 / PIRQE#	Vss	V5REF	Vcc3_3	Vcc3_3	AD15	Vss							
H	USBP2N	USBP2P	Vss	Vss	Vss	Vcc1_5_A	Vcc1_5_A														
J	Vss	Vss	USBP3P	USBP3N	Vss	Vcc1_5_A	Vcc1_5_A														
K	USBP4N	USBP4P	VccSus3_3	VccSus3_3	VccSus3_3	VccSus3_3	VccSus1_05														
L	VccSus3_3	VccSus3_3	VccSus3_3	USBP5N	USBP5P	VccSus3_3	VccSus3_3								Vcc1_05	Vcc1_05	Vss	Vcc1_05			
M	USBP6N	USBP6P	Vss	Vss	Vss	VccSus3_3	VccSus3_3								Vcc1_05	Vss	Vss	Vss			
N	Vss	Vss	USBP7P	USBP7N	Vss	Vss	VccSus3_3								Vss	Vss	Vss	Vss			
P	SPI_ARB	SPI_MISO	Vss	Vss	SPI_MOSI	SPI_CS#	VccSus3_3								Vcc1_05	Vss	Vss	Vss			
R	Vss	SPI_CLK	GPIO24	GPIO14	ACZ_RST#	ACZ_SYNC	VccSus3_3 / VccSusHDA*								Vss	Vss	Vss	Vss			
T	ACZ_SDIN2	ACZ_SDIN0	ACZ_SDIN1	ACZ_SDOUT	LAN_RXD2	Vss	Vcc1_5_A								Vcc1_05	Vss	Vss	Vss			
U	ACZ_BIT_CLK	GPIO34 / AZ_DOCK_RST#*	LAN_RSTSYNC	Vss	LAN_RXD0	Vcc3_3 / VccHDA*	LAN_TXD0								Vcc1_05	Vss	Vss	Vss			
V	VccSus3_3 / VccLAN3_3*	Vss	LAN_CLK	LAN_RXD1	VccSus3_3 / VccLAN3_3*	LAN_TXD1	LAN_TXD2	Vcc1_05	Vcc1_05	Vss	Vcc1_05										
W	EE_CS	VccSus3_3 / VccLAN3_3*	EE_DIN	INTVRMEN	VccRTC	Vss	VccSus3_3 / VccLAN3_3*														
Y	EE_SHCLK	EE_DOUT	Vss	RSMRST#	INTRUDER#	LAD3	VccSus1_05 / VccLAN1_05*														
AA	Vss	VccSus1_05 / VccLAN1_05*	RTCST#	PWROK	LDRQ1# / GPIO23	LAD0	Vcc3_3														
AB	RTCX1	RTCX2	LFRAME#	Vss	LAD1	Vss	Vcc1_5_A								Vcc1_5_A	Vcc1_5_A	Vcc1_5_A	Vss	Vcc3_3	DD10	Vss
AC	CLK14	Vss	LDRQ0#	LAD2	Vss	Vcc1_5_A	Vcc1_5_A								Vcc1_5_A	Vss	Vcc1_5_A	Vss	DD7	DD5	DD11
AD	Vss	VccSATAPLL	Vss	Vss	SATA1RXP / Reserved*	Vcc1_5_A	Vss								Vss	SATA3RXN / Reserved*	Vcc1_5_A	Vss	DD6	Vcc3_3	DD4
AE	SATA_CLKP	Vss	SATA0RXP	Vss	SATA1RXN / Reserved*	Vcc1_5_A	SATA2RXP								Vss	SATA3RXP / Reserved*	Vcc1_5_A	Vss	DD8	Vss	DD1
AF	SATA_CLKN	Vss	SATA0RXN	Vss	Vcc1_5_A	Vcc1_5_A	SATA2RXN								Vss	Vcc1_5_A	Vcc1_5_A	Vss	DD9	DD3	DD12
AG	Vss	SATA0TXN	Vss	SATA1TXN / Reserved*	Vcc1_5_A	SATA2TXN	Vss								SATA3TXN / Reserved*	Vcc1_5_A	SATARBIASP	Vss	Vcc3_3	DD2	Vss
AH	Vss	SATA0TXP	Vss	SATA1TXP / Reserved*	Vcc1_5_A	SATA2TXP	Vss								SATA3TXP / Reserved*	Vcc1_5_A	SATARBIASN	Vcc3_3	VSS	DD13	DD14



Figure 22-2. Desktop and Mobile Component Ballout (Topview–Right Side)

15	16	17	18	19	20	21	22	23	24	25	26	27	28																																						
AD8	AD2	AD7	AD5	SPKR	GPIO10	EL_RSVD1†† / GPIO26	SYS_RST#	Vss	VccSus3_3	SMLINK1	LINKALERT#	SUS_STAT#	RI#	A																																					
C/BE0#	Vcc3_3	Vss	PCIRST#	PME#	Vss	EL_STATE0†† / GPIO27	SMBDATA	SMBALERT# / GPIO11	SLP_S3#	SMLINK0	Vss	Vcc3_3	Vss	B																																					
C/BE3#	REQ1#	REQ2#	AD1	LAN_RST#	SUSCLK	TP0 / BATLOW#*	SMBCLK	PWRBTN#	VccSus3_3	DMI_ZCOMP	PLTRST#	Vss	VccSus1_05	C																																					
Vcc3_3	GNT1#	GNT2#	Vss	VccSus3_3	GPIO25	Vss	VccSus3_3	SLP_S4#	Vss	DMI_IRCOMP	Vcc1_5_B	Vcc1_5_B	Vcc1_5_B	D																																					
Vss	AD4	AD6	AD0	GPIO13	GPIO9	GPIO8	GPIO15	EL_STATE1†† / GPIO28	Vcc1_5_B	Vcc1_5_B	Vcc1_5_B	PETp1	PETn1	E																																					
STOP#	FRAME#	Vcc1_5_A	AD3	GPIO12	WAKE#	TP3	SLP_S5#	Vcc1_5_B	Vcc1_5_B	PERp1	PERn1	Vss	Vss	F																																					
AD14	Vcc3_3	Vcc1_5_A	Vss	VccSus3_3	VccSus1_05	Vss	Vcc1_5_B	Vcc1_5_B	Vss	Vss	Vss	PETp2	PETn2	G																																					
<table border="1"> <tr><td>Vss</td><td>Vcc1_05</td><td>Vcc1_05</td><td>Vcc1_05</td></tr> <tr><td>Vss</td><td>Vss</td><td>Vss</td><td>Vcc1_05</td></tr> <tr><td>Vss</td><td>Vss</td><td>Vss</td><td>Vss</td></tr> <tr><td>Vss</td><td>Vss</td><td>Vss</td><td>Vcc1_05</td></tr> <tr><td>Vss</td><td>Vss</td><td>Vss</td><td>Vss</td></tr> <tr><td>Vss</td><td>Vss</td><td>Vss</td><td>Vcc1_05</td></tr> <tr><td>Vss</td><td>Vss</td><td>Vss</td><td>Vss</td></tr> <tr><td>Vss</td><td>Vss</td><td>Vss</td><td>Vcc1_05</td></tr> <tr><td>Vss</td><td>Vcc1_05</td><td>Vcc1_05</td><td>Vcc1_05</td></tr> </table>								Vss	Vcc1_05	Vcc1_05	Vcc1_05	Vss	Vss	Vss	Vcc1_05	Vss	Vss	Vss	Vss	Vss	Vss	Vss	Vcc1_05	Vss	Vss	Vss	Vss	Vss	Vss	Vss	Vcc1_05	Vss	Vss	Vss	Vss	Vss	Vss	Vss	Vcc1_05	Vss	Vcc1_05	Vcc1_05	Vcc1_05	Vcc1_5_B	Vcc1_5_B	Vss	PERp2	PERn2	Vss	Vss	H
								Vss	Vcc1_05	Vcc1_05	Vcc1_05																																								
								Vss	Vss	Vss	Vcc1_05																																								
								Vss	Vss	Vss	Vss																																								
								Vss	Vss	Vss	Vcc1_05																																								
								Vss	Vss	Vss	Vss																																								
								Vss	Vss	Vss	Vcc1_05																																								
								Vss	Vss	Vss	Vss																																								
								Vss	Vss	Vss	Vcc1_05																																								
								Vss	Vcc1_05	Vcc1_05	Vcc1_05																																								
Vcc1_5_B	Vcc1_5_B	Vss	Vss	Vss	PETp3	PETn3	Vss	Vss	J																																										
Vcc1_5_B	Vcc1_5_B	Vss	PERp3	PERn3	Vss	Vss	Vss	K																																											
Vcc1_5_B	Vcc1_5_B	Vss	Vss	Vss	PETp4	PETn4	Vss	Vss	L																																										
Vcc1_5_B	Vcc1_5_B	Vss	PERp4	PERn4	Vss	Vss	Vss	M																																											
Vcc1_5_B	Vcc1_5_B	Vss	Vss	Vss	PETp5 / Reserved†	PETn5 / Reserved†	Vss	Vss	N																																										
Vcc1_5_B	Vcc1_5_B	Vss	PERp5 / Reserved†	PERn5 / Reserved†	Vss	Vss	Vss	P																																											
Vcc1_5_B	Vcc1_5_B	Vcc1_5_B	Vcc1_5_B	Vcc1_5_B	PETp6 / Reserved†	PETn6 / Reserved†	Vcc1_5_B	Vcc1_5_B	R																																										
Vcc1_5_B	Vcc1_5_B	PERp6 / Reserved†	PERn6 / Reserved†	Vcc1_5_B	Vcc1_5_B	Vcc1_5_B	Vcc1_5_B	T																																											
Vcc1_5_B	Vcc1_5_B	Vss	Vss	Vss	DMI0TXP	DMI0TXN	Vss	Vss	U																																										
Vcc1_5_B	Vcc1_5_B	Vss	DMI0RXP	DMI0RXN	Vss	Vss	Vss	V																																											
Vcc1_5_B	Vcc1_5_B	Vss	Vss	Vss	DMI1TXP	DMI1TXN	Vss	Vss	W																																										
Vcc1_5_B	Vcc1_5_B	Vss	DMI1RXP	DMI1RXN	Vss	Vss	Vss	Y																																											
Vcc1_5_B	Vcc1_5_B	Vss	Vss	Vss	DMI2TXP	DMI2TXN	Vss	Vss	AA																																										
DD0	Vss	Vcc1_5_A	GPIO0 / BM_BUSY#*	Vss	Vcc3_3	Vss	Vcc1_5_B	Vcc1_5_B	Vss	DMI2RXP	DMI2RXN	Vss	Vss	AB																																					
DD15	Vcc3_3	Vcc1_5_A	GPIO7	GPIO33 / AZ_DOCK_EN#*	GPIO18 / STP_PCI#*	GPIO6	GPIO16 / DPRSLPVR*	Vcc1_5_B	Vcc1_5_B	Vcc1_5_B	Vcc1_5_B	DMI3TXP	DMI3TXN	AC																																					
Vss	DCS3#	V5REF	Vcc3_3	Vss	GPIO38	GPIO35 / SATACLKREQ#	VRMPWRGD	Vss	DMI3RXP	DMI3RXN	Vcc1_5_B	Vcc1_5_B	Vcc1_5_B	AD																																					
DDREQ	DCS1#	DA1	Vss	GPIO37 / SATA3GP**	GPIO39	Vss	A20GATE	V_CPU_IO	Vss	Vss	V_CPU_IO	DMI_CLKP	DMI_CLKN	AE																																					
DIOR#	DDACK#	DA2	SATALED#	GPIO21 / SATA0GP	THR#	GPIO20 / STPCPU#	INIT#	SMI#	TP1 / DPRSTP#*	INTR	THERMTRIP#	Vss	Vss	AF																																					
Vcc3_3	IORDY	Vss	GPIO32 / CLKRUN#*	Vcc3_3	Vss	INIT3_3V#	IGNNE#	RCIN#	GPIO49 / CPU_PWRGD	Vss	FERR#	CPUSLP#** / NC*	VccDMIPLL	AG																																					
DIOW#	IDEIRQ	DA0	GPIO19 / SATA1GP**	GPIO36 / SATA2GP	MCH_SYNC#	SERIRQ	STPCLK#	Vss	NMI	TP2 / DPSLP#*	V_CPU_IO	Vss	A20M#	AH																																					
15	16	17	18	19	20	21	22	23	24	25	26	27	28																																						



**Table 22-1. Desktop and Mobile Component Ballout by Signal Name**

Signal Name	Ball #
A20GATE	AE22
A20M#	AH28
ACZ_BIT_CLK	U1
ACZ_RST#	R5
ACZ_SDINO	T2
ACZ_SDIN1	T3
ACZ_SDIN2	T1
ACZ_SDOOUT	T4
ACZ_SYNC	R6
AD0	E18
AD1	C18
AD2	A16
AD3	F18
AD4	E16
AD5	A18
AD6	E17
AD7	A17
AD8	A15
AD9	C14
AD10	E14
AD11	D14
AD12	B12
AD13	C13
AD14	G15
AD15	G13
AD16	E12
AD17	C11
AD18	D11
AD19	A11
AD20	A10
AD21	F11
AD22	F10
AD23	E9
AD24	D9
AD25	B9
AD26	A8
AD27	A6
AD28	C7

**Table 22-1. Desktop and Mobile Component Ballout by Signal Name**

Signal Name	Ball #
AD29	B6
AD30	E6
AD31	D6
C/BE0#	B15
C/BE1#	C12
C/BE2#	D12
C/BE3#	C15
CLK14	AC1
CLK48	B2
CPUSLP#** / NC*	AG27
DA0	AH17
DA1	AE17
DA2	AF17
DCS1#	AE16
DCS3#	AD16
DD0	AB15
DD1	AE14
DD10	AB13
DD11	AC14
DD12	AF14
DD13	AH13
DD14	AH14
DD15	AC15
DD2	AG13
DD3	AF13
DD4	AD14
DD5	AC13
DD6	AD12
DD7	AC12
DD8	AE12
DD9	AF12
DDACK#	AF16
DDREQ	AE15
DEVSEL#	A12
DIOR#	AF15
DIOW#	AH15
DMI_CLKN	AE28
DMI_CLKP	AE27

**Table 22-1. Desktop and Mobile Component Ballout by Signal Name**

Signal Name	Ball #
DMI_IRCOMP	D25
DMI_ZCOMP	C25
DMIORXN	V26
DMIORXP	V25
DMIOTXN	U28
DMIOTXP	U27
DMI1RXN	Y26
DMI1RXP	Y25
DMI1TXN	W28
DMI1TXP	W27
DMI2RXN	AB26
DMI2RXP	AB25
DMI2TXN	AA28
DMI2TXP	AA27
DMI3RXN	AD25
DMI3RXP	AD24
DMI3TXN	AC28
DMI3TXP	AC27
EE_CS	W1
EE_DIN	W3
EE_DOUT	Y2
EE_SHCLK	Y1
EL_RSVD†† / GPIO26	A21
EL_STATE0†† / GPIO27	B21
EL_STATE1†† / GPIO28	E23
FERR#	AG26
FRAME#	F16
GNT0#	E7
GNT1#	D16
GNT2#	D17
GNT3#	F13
GNT4# / GPIO48	A14
GPIO0 / BM_BUSY#*	AB18
GPIO1 / REQ5#	C8
GPIO10	A20
GPIO12	F19





**Table 22-1. Desktop and Mobile Component Ballout by Signal Name**

Signal Name	Ball #
GPIO13	E19
GPIO14	R4
GPIO15	E22
GPIO16 / DPRSLPVR*	AC22
GPIO17 / GNT5#	D8
GPIO18 / STP_PCI#*	AC20
GPIO19 / SATA1GP**	AH18
GPIO2 / PIRQE#	G8
GPIO20 / STPCPU#	AF21
GPIO21 / SATA0GP	AF19
GPIO24	R3
GPIO25	D20
GPIO3 / PIRQF#	F7
GPIO32 / CLKRUN#*	AG18
GPIO33 / AZ_DOCK_EN#*	AC19
GPIO34 / AZ_DOCK_RST#*	U2
GPIO35 / SATACLKREQ#	AD21
GPIO36 / SATA2GP	AH19
GPIO37 / SATA3GP**	AE19
GPIO38	AD20
GPIO39	AE20
GPIO4 / PIRQG#	F8
GPIO49 / CPUPWRGD	AG24
GPIO5 / PIRQH#	G7
GPIO6	AC21
GPIO7	AC18
GPIO8	E21
GPIO9	E20
IDEIRQ	AH16
IGNNE#	AG22
INIT#	AF22
INIT3_3V#	AG21

**Table 22-1. Desktop and Mobile Component Ballout by Signal Name**

Signal Name	Ball #
INTR	AF25
INTRUDER#	Y5
INTVRMEN	W4
IORDY	AG16
IRDY#	A7
LAD0	AA6
LAD1	AB5
LAD2	AC4
LAD3	Y6
LAN_CLK	V3
LAN_RST#	C19
LAN_RSTSYNC	U3
LAN_RXD0	U5
LAN_RXD1	V4
LAN_RXD2	T5
LAN_TXD0	U7
LAN_TXD1	V6
LAN_TXD2	V7
LDRQ0#	AC3
LDRQ1# / GPIO23	AA5
LFRAME#	AB3
LINKALERT#	A26
MCH_SYNC#	AH20
NMI	AH24
OC0#	D3
OC1#	C4
OC2#	D5
OC3#	D4
OC4#	E5
OC5# / GPIO29	C3
OC6# / GPIO30	A2
OC7# / GPIO31	B3
PAR	E10
PCICLK	A9
PCIRST#	B18
PERn1	F26
PERn2	H26
PERn3	K26

**Table 22-1. Desktop and Mobile Component Ballout by Signal Name**

Signal Name	Ball #
PERn4	M26
PERn5 / Reserved†	P26
PERn6 / Reserved†	T25
PERp1	F25
PERp2	H25
PERp3	K25
PERp4	M25
PERp5 / Reserved†	P25
PERp6 / Reserved†	T24
PERR#	C9
PETn1	E28
PETn2	G28
PETn3	J28
PETn4	L28
PETn5 / Reserved†	N28
PETn6 / Reserved†	R28
PETp1	E27
PETp2	G27
PETp3	J27
PETp4	L27
PETp5 / Reserved†	N27
PETp6 / Reserved†	R27
PIRQA#	A3
PIRQB#	B4
PIROC#	C5
PIROD#	B5
PLOCK#	E11
PLTRST#	C26
PME#	B19
PWRBTN#	C23
PWROK	AA4
RCIN#	AG23
REQ0#	D7



**Table 22-1. Desktop and Mobile Component Ballout by Signal Name**

Signal Name	Ball #
REQ1#	C16
REQ2#	C17
REQ3#	E13
REQ4# / GPIO22	A13
RI#	A28
RSMRST#	Y4
RTCRST#	AA3
RTCX1	AB1
RTCX2	AB2
SATA_CLKN	AF1
SATA_CLKP	AE1
SATAORXN	AF3
SATAORXP	AE3
SATA0TXN	AG2
SATA0TXP	AH2
SATA1RXN / Reserved*	AE5
SATA1RXP / Reserved*	AD5
SATA1TXN / Reserved*	AG4
SATA1TXP / Reserved*	AH4
SATA2RXN	AF7
SATA2RXP	AE7
SATA2TXN	AG6
SATA2TXP	AH6
SATA3RXN / Reserved*	AD9
SATA3RXP / Reserved*	AE9
SATA3TXN / Reserved*	AG8
SATA3TXP / Reserved*	AH8
SATALED#	AF18
SATARBIAS#	AH10
SATARBIAS	AG10
SERIRQ	AH21
SERR#	B10
SLP_S3#	B24

**Table 22-1. Desktop and Mobile Component Ballout by Signal Name**

Signal Name	Ball #
SLP_S4#	D23
SLP_S5#	F22
SMBALERT# / GPIO11	B23
SMBCLK	C22
SMBDATA	B22
SMI#	AF23
SMLINK0	B25
SMLINK1	A25
SPI_ARB	P1
SPI_CLK	R2
SPI_CS#	P6
SPI_MISO	P2
SPI_MOSI	P5
SPKR	A19
STOP#	F15
STPCLK#	AH22
SUS_STAT#	A27
SUSCLK	C20
SYS_RST#	A22
THERMTRIP#	AF26
THRM#	AF20
TP0 / BATLOW#*	C21
TP1 / DPRSTP#*	AF24
TP2 / DPSLP#*	AH25
TP3	F21
TRDY#	F14
USBP0N	F1
USBPOP	F2
USBP1N	G4
USBP1P	G3
USBP2N	H1
USBP2P	H2
USBP3N	J4
USBP3P	J3
USBP4N	K1
USBP4P	K2
USBP5N	L4
USBP5P	L5

**Table 22-1. Desktop and Mobile Component Ballout by Signal Name**

Signal Name	Ball #
USBP6N	M1
USBP6P	M2
USBP7N	N4
USBP7P	N3
USBRBIAS	D1
USBRBIAS#	D2
V_CPU_IO	AE23
V_CPU_IO	AE26
V_CPU_IO	AH26
V5REF	G10
V5REF	AD17
V5REF_Sus	F6
Vcc1_05	L11
Vcc1_05	L12
Vcc1_05	L14
Vcc1_05	L16
Vcc1_05	L17
Vcc1_05	L18
Vcc1_05	M11
Vcc1_05	M18
Vcc1_05	P11
Vcc1_05	P18
Vcc1_05	T11
Vcc1_05	T18
Vcc1_05	U11
Vcc1_05	U18
Vcc1_05	V11
Vcc1_05	V12
Vcc1_05	V14
Vcc1_05	V16
Vcc1_05	V17
Vcc1_05	V18
Vcc1_5_A	A1
Vcc1_5_A	F17
Vcc1_5_A	G17
Vcc1_5_A	H6
Vcc1_5_A	H7
Vcc1_5_A	J6



**Table 22-1. Desktop and Mobile Component Ballout by Signal Name**

Signal Name	Ball #
Vcc1_5_A	J7
Vcc1_5_A	T7
Vcc1_5_A	AB7
Vcc1_5_A	AB8
Vcc1_5_A	AB9
Vcc1_5_A	AB10
Vcc1_5_A	AB17
Vcc1_5_A	AC6
Vcc1_5_A	AC7
Vcc1_5_A	AC8
Vcc1_5_A	AC10
Vcc1_5_A	AC17
Vcc1_5_A	AD6
Vcc1_5_A	AD10
Vcc1_5_A	AE6
Vcc1_5_A	AE10
Vcc1_5_A	AF5
Vcc1_5_A	AF6
Vcc1_5_A	AF9
Vcc1_5_A	AF10
Vcc1_5_A	AG5
Vcc1_5_A	AG9
Vcc1_5_A	AH5
Vcc1_5_A	AH9
Vcc1_5_B	D26
Vcc1_5_B	D27
Vcc1_5_B	D28
Vcc1_5_B	E24
Vcc1_5_B	E25
Vcc1_5_B	E26
Vcc1_5_B	F23
Vcc1_5_B	F24
Vcc1_5_B	G22
Vcc1_5_B	G23
Vcc1_5_B	H22
Vcc1_5_B	H23
Vcc1_5_B	J22
Vcc1_5_B	J23

**Table 22-1. Desktop and Mobile Component Ballout by Signal Name**

Signal Name	Ball #
Vcc1_5_B	K22
Vcc1_5_B	K23
Vcc1_5_B	L22
Vcc1_5_B	L23
Vcc1_5_B	M22
Vcc1_5_B	M23
Vcc1_5_B	N22
Vcc1_5_B	N23
Vcc1_5_B	P22
Vcc1_5_B	P23
Vcc1_5_B	R22
Vcc1_5_B	R23
Vcc1_5_B	R24
Vcc1_5_B	R25
Vcc1_5_B	R26
Vcc1_5_B	T22
Vcc1_5_B	T23
Vcc1_5_B	T26
Vcc1_5_B	T27
Vcc1_5_B	T28
Vcc1_5_B	U22
Vcc1_5_B	U23
Vcc1_5_B	V22
Vcc1_5_B	V23
Vcc1_5_B	W22
Vcc1_5_B	W23
Vcc1_5_B	Y22
Vcc1_5_B	Y23
Vcc1_5_B	AA22
Vcc1_5_B	AA23
Vcc1_5_B	AB22
Vcc1_5_B	AB23
Vcc1_5_B	AC23
Vcc1_5_B	AC24
Vcc1_5_B	AC25
Vcc1_5_B	AC26
Vcc1_5_B	AD26
Vcc1_5_B	AD27

**Table 22-1. Desktop and Mobile Component Ballout by Signal Name**

Signal Name	Ball #
Vcc1_5_B	AD28
Vcc3_3	A5
Vcc3_3	B7
Vcc3_3	B13
Vcc3_3	B16
Vcc3_3	B27
Vcc3_3	C10
Vcc3_3	D15
Vcc3_3	F9
Vcc3_3	G11
Vcc3_3	G12
Vcc3_3	G16
Vcc3_3	AA7
Vcc3_3	AB12
Vcc3_3	AB20
Vcc3_3	AC16
Vcc3_3	AD13
Vcc3_3	AD18
Vcc3_3	AG12
Vcc3_3	AG15
Vcc3_3	AG19
Vcc3_3	AH11
Vcc3_3 / VccHDA*	U6
VccDMIPLL	AG28
VccRTC	W5
VccSATAPLL	AD2
VccSus1_05	C28
VccSus1_05	G20
VccSus1_05	K7
VccSus1_05 / VccLAN1_05*	Y7
VccSus1_05 / VccLAN1_05*	AA2
VccSus3_3	A24
VccSus3_3	C24
VccSus3_3	D19
VccSus3_3	D22
VccSus3_3	E3
VccSus3_3	G19



**Table 22-1. Desktop and Mobile Component Ballout by Signal Name**

Signal Name	Ball #
VccSus3_3	K3
VccSus3_3	K4
VccSus3_3	K5
VccSus3_3	K6
VccSus3_3	L1
VccSus3_3	L2
VccSus3_3	L3
VccSus3_3	L6
VccSus3_3	L7
VccSus3_3	M6
VccSus3_3	M7
VccSus3_3	N7
VccSus3_3	P7
VccSus3_3 / VccLAN3_3*	V1
VccSus3_3 / VccLAN3_3*	V5
VccSus3_3 / VccLAN3_3*	W2
VccSus3_3 / VccLAN3_3*	W7
VccSus3_3 / VccSusHDA*	R7
VccUSBPLL	C1
VRMPWRGD	AD22
Vss	A4
Vss	A23
Vss	B1
Vss	B8
Vss	B11
Vss	B14
Vss	B17
Vss	B20
Vss	B26
Vss	B28
Vss	C2
Vss	C6
Vss	C27
Vss	D10
Vss	D13

**Table 22-1. Desktop and Mobile Component Ballout by Signal Name**

Signal Name	Ball #
Vss	D18
Vss	D21
Vss	D24
Vss	E1
Vss	E2
Vss	E4
Vss	E8
Vss	E15
Vss	F3
Vss	F4
Vss	F5
Vss	F12
Vss	F27
Vss	F28
Vss	G1
Vss	G2
Vss	G5
Vss	G6
Vss	G9
Vss	G14
Vss	G18
Vss	G21
Vss	G24
Vss	G25
Vss	G26
Vss	H3
Vss	H4
Vss	H5
Vss	H24
Vss	H27
Vss	H28
Vss	J1
Vss	J2
Vss	J5
Vss	J24
Vss	J25
Vss	J26
Vss	K24

**Table 22-1. Desktop and Mobile Component Ballout by Signal Name**

Signal Name	Ball #
Vss	K27
Vss	K28
Vss	L13
Vss	L15
Vss	L24
Vss	L25
Vss	L26
Vss	M3
Vss	M4
Vss	M5
Vss	M12
Vss	M13
Vss	M14
Vss	M15
Vss	M16
Vss	M17
Vss	M24
Vss	M27
Vss	M28
Vss	N1
Vss	N2
Vss	N5
Vss	N6
Vss	N11
Vss	N12
Vss	N13
Vss	N14
Vss	N15
Vss	N16
Vss	N17
Vss	N18
Vss	N24
Vss	N25
Vss	N26
Vss	P3
Vss	P4
Vss	P12
Vss	P13



**Table 22-1. Desktop and Mobile Component Ballout by Signal Name**

Signal Name	Ball #
Vss	P14
Vss	P15
Vss	P16
Vss	P17
Vss	P24
Vss	P27
Vss	P28
Vss	R1
Vss	R11
Vss	R12
Vss	R13
Vss	R14
Vss	R15
Vss	R16
Vss	R17
Vss	R18
Vss	T6
Vss	T12
Vss	T13
Vss	T14
Vss	T15
Vss	T16
Vss	T17
Vss	U4
Vss	U12
Vss	U13
Vss	U14
Vss	U15
Vss	U16
Vss	U17
Vss	U24
Vss	U25
Vss	U26
Vss	V2
Vss	V13
Vss	V15
Vss	V24
Vss	V27

**Table 22-1. Desktop and Mobile Component Ballout by Signal Name**

Signal Name	Ball #
Vss	V28
Vss	W6
Vss	W24
Vss	W25
Vss	W26
Vss	Y3
Vss	Y24
Vss	Y27
Vss	Y28
Vss	AA1
Vss	AA24
Vss	AA25
Vss	AA26
Vss	AB4
Vss	AB6
Vss	AB11
Vss	AB14
Vss	AB16
Vss	AB19
Vss	AB21
Vss	AB24
Vss	AB27
Vss	AB28
Vss	AC2
Vss	AC5
Vss	AC9
Vss	AC11
Vss	AD1
Vss	AD3
Vss	AD4
Vss	AD7
Vss	AD8
Vss	AD11
Vss	AD15
Vss	AD19
Vss	AD23
Vss	AE2
Vss	AE4

**Table 22-1. Desktop and Mobile Component Ballout by Signal Name**

Signal Name	Ball #
Vss	AE8
Vss	AE11
Vss	AE13
Vss	AE18
Vss	AE21
Vss	AE24
Vss	AE25
Vss	AF2
Vss	AF4
Vss	AF8
Vss	AF11
Vss	AF27
Vss	AF28
Vss	AG1
Vss	AG3
Vss	AG7
Vss	AG11
Vss	AG14
Vss	AG17
Vss	AG20
Vss	AG25
Vss	AH1
Vss	AH3
Vss	AH7
Vss	AH12
Vss	AH23
Vss	AH27
WAKE#	F20



## 22.2 Ultra Mobile Component Ballout

Figure 22-3 and Figure 22-4 show the ICH7-U ballout from the top of the package view. Table 22-2 lists the ballout arranged by signal name.

Figure 22-3. Intel® ICH7-U Ballout (top view, left side)

	1	2	3	4	5	6	7	8	9	10	11	
A	VSS	VCC3_3	GNT5#/GPIO17	AD22	PAR	AD15	REQ5#/GPIO1	PLOCK#	TRDY#	SERR#	AD20	A
B	PIROG#/GPIO4	AD23	AD29	VSS	RSVD	VSS	VCC3_3	VSS	PERR#	AD18	VSS	B
C	PIROF#/GPIO3	RSVD	RSVD	AD31	AD30	RSVD	AD24	IRDY#	V5REF1	VSS	VCC3_3	C
D	OC3#	VSS	VCCSUS1_05	OC0#	OC7#/GPIO31	PIROE#/GPIO2	AD21	AD28	AD25	VCC3_3	AD16	D
E	VSS	VCCSUS3_3	CLK48	VSS	VCCAUSBPLL	VSS	PIROH#/GPIO5	VSS	GNT3#	AD26	PCICLK	E
F	USBP0P	USBP0N	USBRBIAS#	USBRBIAS	OC5#/GPIO29	OC6#/GPIO30	OC1#	RSVD	AD27	AD17	VSS	F
G	VSS	USBP2P	USBP2N	VSS	V5REF_SUS	OC4#	OC2#					G
H	USBP4P	USBP4N	VSS	USBP1P	USBP1N	VSS		VCC1_5A	VCC1_5A	VSS	VCC1_05	H
J	VSS	USBP5P	USBP5N	VSS	USBP3N	USBP3P		VCC1_5A	VCC1_5A	VSS	VCC1_05	J
K	USBP6P	USBP6N	VSS	USBP7P	USBP7N	VSS		VCC1_5A	VSS	VSS	VSS	K
L	RSVD	RSVD	RSVD	RSVD	RSVD	VCCSUS3_3		VSS	VSS	VSS	VSS	L
M	RSVD	ACZ_RST#	GPIO14	VCCSUSHDA	ACZ_SDIN0	RSVD		VCCSUS3_3	VSS	VSS	VSS	M
N	RSVD	ACZ_SDIN1	VSS	VCCHDA	VSS	VCC1_5A		VCCSUS3_3	VCCSUS3_3	VSS	VSS	N
P	RSVD	ACZ_SYNC	RSVD	ACZ_BIT_CLK	ACZ_SDOUT	VCC3_3		VCCSUS3_3	VCCSUS3_3	VSS	VCC1_05	P
R	RSVD	RSVD	RSVD	NC	VCC3_3	VSS		VCCSUS3_3	VCCSUS3_3	VSS	VCC1_05	R
T	RSVD	RSVD	RSVD	VSS	RSVD	VCCRTC	RSVD					T
U	RSVD	RSVD	RSVD	INTRUDER#	RTCX1	RTCX2	RTEST#	VSS	RSVD	RSVD	VSS	U
V	PWROK	RSMRST#	LAD0	RSVD	RSVD	RSVD	RSVD	RSVD	DD5	VSS	VCC3_3	V
W	CLK14	VSS	LAD2	RSVD	RSVD	RSVD	RSVD	VSS	DD2	DD1	DD15	W
Y	LFRAME#	LAD1	RSVD	RSVD	RSVD	RSVD	DD10	DD7	VCC3_3	DD12	DIOW#	Y
AA	LAD3	RSVD	RSVD	RSVD	DD6	VSS	DD9	DD13	VSS	DDREQ	IDEIRQ	AA
AB	VSS	RSVD	RSVD	RSVD	DD8	DD3	DD14	DD4	DD11	DIOR#	DD0	AB
	1	2	3	4	5	6	7	8	9	10	11	



Figure 22-4. Intel® ICH7-U Ballout (top view, right side)

	12	13	14	15	16	17	18	19	20	21	22	
A	AD14	VSS	REQ4#/GPIO22	GNT4#/GPIO48	C/BE#_0	RSVD	VCC3_3	AD1	AD0	SPKR	VSS	A
B	AD12	AD11	FRAME#	VSS	AD6	PME#	VSS	RSVD	GPIO12	VSS	GPIO10	B
C	C/BE#_2	AD13	STOP#	C/BE#_3	AD5	RSVD	GPIO9	RSVD	VSS	SUSCLK	RSVD	C
D	AD19	VSS	DEVSEL#	VCC3_3	VSS	AD2	BATLOW#	PWRBTN#	RSVD	SYS_RST#	GPIO13	D
E	C/BE#_1	AD10	AD8	AD7	AD4	RSVD	RSVD	VSS	SMBCLK	WAKE#	VSS	E
F	REQ#_3	AD9	VSS	AD3	LAN_RST#	SMBDATA	GPIO8	GPIO15	SMBALERT#/GPIO11	SLP_S3#	SLP_S4#	F
G					PCIRST#	RSVD	RSVD	SLP_S5#	VCCSUS1_05	VSS	SUS_STAT#	G
H	VSS	VCC1_5A	VCC1_5A	VCCSUS3_3		RSVD	VSS	RSVD	VSS	VCC3_3	VSS	H
J	VSS	VSS	VSS	VSS		PLTRST#	VSS	RSVD	RSVD	VSS	VSS	J
K	VSS	VSS	VCC1_05	VCC1_05		VSS	VSS	VSS	VSS	RSVD	RSVD	K
L	VSS	VSS	VSS	VCC1_05		VCC1_5B	VCC1_5B	DMI_ZCOMP	DMI_IRCOMP	VSS	VSS	L
M	VSS	VSS	VCC1_05	VCC1_05		VCC1_5B	VSS	VSS	VSS	DMIOTXP	DMIOTXN	M
N	VSS	VSS	VSS	VCC1_05		VCC1_5B	VSS	DMIORXP	DMIORXN	VSS	VSS	N
P	VSS	VCC1_05	VSS	VCC1_05		VCC1_5B	VSS	VSS	VSS	DMI1TXP	DMI1TXN	P
R	VCC1_05	VCC1_05	VCC1_05	VCC1_05		VCC1_5B	VCC1_5B	DMI1RXP	DMI1RXN	VSS	VSS	R
T					VSS	VSS	VSS	VSS	VSS	DMI_CLKP	DMI_CLKN	T
U	VCC1_5A	VCC1_5A	VSS	VCC3_3	RSVD	RSVD	VCCDMIPLL	VSS	STPCLK#	VSS	VSS	U
V	VSS	VCC3_3	VSS	DA0	BMBUSY#/GPIO0	MCH_SYNC#	VSS	V_CPU_IO	THERMTRIP#	FERR#	INTR	V
W	IORDY	DDACK#	DCS3#	RSVD	SERIRQ	VSS	V_CPU_IO	A20M#	DPRSTP#	DPSLP#	IGNNE#	W
Y	V5REF2	DA2	CLKRUN#	RSVD	RCIN#	VCC3_3	VSS	CPUSLP#	SMI#	CPUPWRGD/ GPIO49	INIT#	Y
AA	VSS	VCC3_3	VSS	THRM#	VSS	A20GATE	VSS	V_CPU_IO	NMI	VSS	V_CPU_IO	AA
AB	DCS1#	DA1	GPIO7	RSVD	RSVD	STPPCI#/GPIO18	RSVD	GPIO6	STPCPU#/GPIO20	DPRSLPVR/ GPIO16	VRMPWRGD	AB
	12	13	14	15	16	17	18	19	20	21	22	



**Table 22-2. Intel® ICH7-U Ballout by Signal Name**

Signal Name	Ball #
A20GATE	AA17
A20M#	W19
ACZ_BIT_CLK	P4
ACZ_RST#	M2
ACZ_SDIN0	M5
ACZ_SDIN1	N2
ACZ_SDOUT	P5
ACZ_SYNC	P2
AD0	A20
AD1	A19
AD2	D17
AD3	F15
AD4	E16
AD5	C16
AD6	B16
AD7	E15
AD8	E14
AD9	F13
AD10	E13
AD11	B13
AD12	B12
AD13	C13
AD14	A12
AD15	A6
AD16	D11
AD17	F10
AD18	B10
AD19	D12
AD20	A11
AD21	D7
AD22	A4
AD23	B2
AD24	C7
AD25	D9
AD26	E10
AD27	F9

**Table 22-2. Intel® ICH7-U Ballout by Signal Name**

Signal Name	Ball #
AD28	D8
AD29	B3
AD30	C5
AD31	C4
BATLOW#	D18
BMBUSY#/ GPIO0	V16
C/BE#_0	A16
C/BE#_1	E12
C/BE#_2	C12
C/BE#_3	C15
CLK14	W1
CLK48	E3
CLKRUN#	Y14
CPUPWRGD/ GPIO49	Y21
CPUSLP#	Y19
DA0	V15
DA1	AB13
DA2	Y13
DCS1#	AB12
DCS3#	W14
DD0	AB11
DD1	W10
DD2	W9
DD3	AB6
DD4	AB8
DD5	V9
DD6	AA5
DD7	Y8
DD8	AB5
DD9	AA7
DD10	Y7
DD11	AB9
DD12	Y10
DD13	AA8
DD14	AB7

**Table 22-2. Intel® ICH7-U Ballout by Signal Name**

Signal Name	Ball #
DD15	W11
DDACK#	W13
DDREQ	AA10
DEVSEL#	D14
DIOR#	AB10
DIOW#	Y11
DMI_CLKN	T22
DMI_CLKP	T21
DMI_IRCOMP	L20
DMI_ZCOMP	L19
DMIORXN	N20
DMIORXP	N19
DMIOTXN	M22
DMIOTXP	M21
DMI1RXN	R20
DMI1RXP	R19
DMI1TXN	P22
DMI1TXP	P21
DPRSLPVR/ GPIO16	AB21
DPRSTP#	W20
DPSLP#	W21
FERR#	V21
FRAME#	B14
GNT3#	E9
GNT4#/ GPIO48	A15
GNT5#/ GPIO17	A3
GPIO6	AB19
GPIO7	AB14
GPIO8	F18
GPIO9	C18
GPIO10	B22
GPIO12	B20
GPIO13	D22
GPIO14	M3
GPIO15	F19
IDEIRQ	AA11





**Table 22-2. Intel® ICH7-U Ballout by Signal Name**

Signal Name	Ball #
IGNNE#	W22
INIT#	Y22
INTR	V22
INTRUDER#	U4
IODY	W12
IRDY#	C8
LAD0	V3
LAD1	Y2
LAD2	W3
LAD3	AA1
LAN_RST#	F16
LFRAME#	Y1
MCH_SYNC#	V17
NC	R4
NMI	AA20
OC0#	D4
OC1#	F7
OC2#	G7
OC3#	D1
OC4#	G6
OC5#/ GPIO29	F5
OC6#/ GPIO30	F6
OC7#/ GPIO31	D5
PAR	A5
PCICLK	E11
PCIRST#	G16
PERR#	B9
PIRQE#/ GPIO2	D6
PIRQF#/ GPIO3	C1
PIROG#/ GPIO4	B1
PIRQH#/ GPIO5	E7
PLOCK#	A8
PLTRST#	J17
PME#	B17
PWRBTN#	D19
PWROK	V1

**Table 22-2. Intel® ICH7-U Ballout by Signal Name**

Signal Name	Ball #
RCIN#	Y16
REQ#_3	F12
REQ4#/ GPIO22	A14
REQ5#/ GPIO1	A7
RSMRST#	V2
RSVD	A17
RSVD	AA2
RSVD	AA3
RSVD	AA4
RSVD	AB15
RSVD	AB16
RSVD	AB18
RSVD	AB2
RSVD	AB3
RSVD	AB4
RSVD	B19
RSVD	B5
RSVD	C17
RSVD	C19
RSVD	C2
RSVD	C22
RSVD	C3
RSVD	C6
RSVD	D20
RSVD	E17
RSVD	E18
RSVD	F8
RSVD	G17
RSVD	G18
RSVD	H17
RSVD	H19
RSVD	J19
RSVD	J20
RSVD	K21
RSVD	K22
RSVD	L1

**Table 22-2. Intel® ICH7-U Ballout by Signal Name**

Signal Name	Ball #
RSVD	L2
RSVD	L3
RSVD	L4
RSVD	L5
RSVD	M1
RSVD	M6
RSVD	N1
RSVD	P1
RSVD	P3
RSVD	R1
RSVD	R2
RSVD	R3
RSVD	T1
RSVD	T2
RSVD	T3
RSVD	T5
RSVD	T7
RSVD	U1
RSVD	U10
RSVD	U16
RSVD	U17
RSVD	U2
RSVD	U3
RSVD	U9
RSVD	V4
RSVD	V5
RSVD	V6
RSVD	V7
RSVD	V8
RSVD	W15
RSVD	W4
RSVD	W5
RSVD	W6
RSVD	W7
RSVD	Y15
RSVD	Y3



**Table 22-2. Intel® ICH7-U Ballout by Signal Name**

Signal Name	Ball #
RSVD	Y4
RSVD	Y5
RSVD	Y6
RTCX1	U5
RTCX2	U6
RTEST#	U7
SERIRQ	W16
SERR#	A10
SLP_S3#	F21
SLP_S4#	F22
SLP_S5#	G19
SMBALERT#/GPIO11	F20
SMBCLK	E20
SMBDATA	F17
SMI#	Y20
SPKR	A21
STOP#	C14
STPCLK#	U20
STPCPU#/GPIO20	AB20
STPPCI#/GPIO18	AB17
SUS_STAT#	G22
SUSCLK	C21
SYS_RST#	D21
THERMTRIP#	V20
THRM#	AA15
TRDY#	A9
USBP0N	F2
USBP0P	F1
USBP1N	H5
USBP1P	H4
USBP2N	G3
USBP2P	G2
USBP3N	J5
USBP3P	J6

**Table 22-2. Intel® ICH7-U Ballout by Signal Name**

Signal Name	Ball #
USBP4N	H2
USBP4P	H1
USBP5N	J3
USBP5P	J2
USBP6N	K2
USBP6P	K1
USBP7N	K5
USBP7P	K4
USBRBIAS	F4
USBRBIAS#	F3
V_CPU_IO	AA19
V_CPU_IO	AA22
V_CPU_IO	V19
V_CPU_IO	W18
V5REF_SUS	G5
V5REF1	C9
V5REF2	Y12
VCC1_05	H11
VCC1_05	J11
VCC1_05	K14
VCC1_05	K15
VCC1_05	L15
VCC1_05	M14
VCC1_05	M15
VCC1_05	N15
VCC1_05	P11
VCC1_05	P13
VCC1_05	P15
VCC1_05	R11
VCC1_05	R12
VCC1_05	R13
VCC1_05	R14
VCC1_05	R15
VCC1_5A	H13
VCC1_5A	H14
VCC1_5A	H8

**Table 22-2. Intel® ICH7-U Ballout by Signal Name**

Signal Name	Ball #
VCC1_5A	H9
VCC1_5A	J8
VCC1_5A	J9
VCC1_5A	K8
VCC1_5A	N6
VCC1_5A	U12
VCC1_5A	U13
VCC1_5B	L17
VCC1_5B	L18
VCC1_5B	M17
VCC1_5B	N17
VCC1_5B	P17
VCC1_5B	R17
VCC1_5B	R18
VCC3_3	A18
VCC3_3	A2
VCC3_3	AA13
VCC3_3	B7
VCC3_3	C11
VCC3_3	D10
VCC3_3	D15
VCC3_3	H21
VCC3_3	P6
VCC3_3	R5
VCC3_3	U15
VCC3_3	V11
VCC3_3	V13
VCC3_3	Y17
VCC3_3	Y9
VCCAUSBPLL	E5
VCCDMIPLL	U18
VCCHDA	N4
VCCRTC	T6
VCCSUS1_05	D3
VCCSUS1_05	G20
VCCSUS3_3	E2



**Table 22-2. Intel®  
ICH7-U Ballout by  
Signal Name**

Signal Name	Ball #
VCCSUS3_3	H15
VCCSUS3_3	L6
VCCSUS3_3	M8
VCCSUS3_3	N8
VCCSUS3_3	N9
VCCSUS3_3	P8
VCCSUS3_3	P9
VCCSUS3_3	R8
VCCSUS3_3	R9
VCCSUSHDA	M4
VRMPWRGD	AB22
VSS	A1
VSS	A13
VSS	A22
VSS	AA12
VSS	AA14
VSS	AA16
VSS	AA18
VSS	AA21
VSS	AA6
VSS	AA9
VSS	AB1
VSS	B11
VSS	B15
VSS	B18
VSS	B21
VSS	B4
VSS	B6
VSS	B8
VSS	C10
VSS	C20
VSS	D13
VSS	D16
VSS	D2
VSS	E1
VSS	E19

**Table 22-2. Intel®  
ICH7-U Ballout by  
Signal Name**

Signal Name	Ball #
VSS	E22
VSS	E4
VSS	E6
VSS	E8
VSS	F11
VSS	F14
VSS	G1
VSS	G21
VSS	G4
VSS	H10
VSS	H12
VSS	H18
VSS	H20
VSS	H22
VSS	H3
VSS	H6
VSS	J1
VSS	J10
VSS	J12
VSS	J13
VSS	J14
VSS	J15
VSS	J18
VSS	J21
VSS	J22
VSS	J4
VSS	K10
VSS	K11
VSS	K12
VSS	K13
VSS	K17
VSS	K18
VSS	K19
VSS	K20
VSS	K3
VSS	K6

**Table 22-2. Intel®  
ICH7-U Ballout by  
Signal Name**

Signal Name	Ball #
VSS	K9
VSS	L10
VSS	L11
VSS	L12
VSS	L13
VSS	L14
VSS	L21
VSS	L22
VSS	L8
VSS	L9
VSS	M10
VSS	M11
VSS	M12
VSS	M13
VSS	M18
VSS	M19
VSS	M20
VSS	M9
VSS	N10
VSS	N11
VSS	N12
VSS	N13
VSS	N14
VSS	N18
VSS	N21
VSS	N22
VSS	N3
VSS	N5
VSS	P10
VSS	P12
VSS	P14
VSS	P18
VSS	P19
VSS	P20
VSS	R10
VSS	R21



**Table 22-2. Intel®  
ICH7-U Ballout by  
Signal Name**

Signal Name	Ball #
VSS	R22
VSS	R6
VSS	T16
VSS	T17
VSS	T18
VSS	T19
VSS	T20
VSS	T4
VSS	U11
VSS	U14
VSS	U19
VSS	U21
VSS	U22
VSS	U8
VSS	V10
VSS	V12
VSS	V14
VSS	V18
VSS	W17
VSS	W2
VSS	W8
VSS	Y18
WAKE#	E21

§



## 23 Electrical Characteristics

This chapter contains the DC and AC characteristics for the ICH7. AC timing diagrams are included.

### 23.1 Thermal Specifications

Refer to the *Intel® I/O Controller Hub (ICH7) Thermal Design Guidelines* for ICH7 thermal information.

### 23.2 Absolute Maximum Ratings

Table 23-1. Intel® ICH7 Absolute Maximum Ratings

Parameter	Maximum Limits
Voltage on any 3.3 V Pin with respect to Ground	-0.5 to $V_{cc3\_3} + 0.5$ V
Voltage on any 5 V Tolerant Pin with respect to Ground (V5REF=5 V)	-0.5 to $V5REF + 0.5$ V
1.05 V Supply Voltage with respect to VSS	-0.5 to 2.1 V
1.5 V Supply Voltage with respect to VSS	-0.5 to 2.1 V
3.3 V Supply Voltage with respect to VSS	-0.5 to 4.6 V
5.0 V Supply Voltage with respect to VSS	-0.5 to 5.5 V
V_CPU_IO Supply Voltage with respect to VSS	-0.5 to 2.1 V



## 23.3 DC Characteristics

Table 23-2. DC Current Characteristics

Power Plane	Maximum Power Consumption			
	S0	S3COLD	S4/S5	G3
Vcc1_05	0.86 A	NA	NA	NA
VccSus1_05	See Note <sup>1</sup>	NA	NA	NA
Vcc1_5_A <sup>1</sup>	1.01 A	NA	NA	NA
Vcc1_5_B <sup>1</sup>	0.77 A	NA	NA	NA
Vcc3_3	0.33 A	NA	NA	NA
VccSus3_3 <sup>1,2</sup>	52 mA	30 mA	30 mA	NA
VccRTC <sup>3</sup>	NA	NA	NA	6 $\mu$ A
V5REF	6 mA	NA	NA	NA
V5REF_Sus	10 mA	10 mA	10 mA	NA
V_CPU_IO	14 mA	NA	NA	NA
VccUSBPLL	10 mA	NA	NA	NA
VccDMIPLL	50 mA	NA	NA	NA
VccSATAPLL	50 mA	NA	NA	NA

**NOTES:**

1. Due to the integrated 1.05 V voltage regulator on the ICH7, VccSus1\_05 is included in the Vcc1\_05 rail during the S0–S1 states and in the VccSus3\_3 rail during the S3–S5 states.
2. VccSus3\_3 assumes that the 8 high-speed USB 2.0 devices are connected to the ICH7's root ports.
3. I<sub>cc</sub> (RTC) data is estimated with VccRTC at 3.0 V while the system is in a mechanical off (G3) state at room temperature. Only the G3 state of this rail is shown to provide an estimate of battery life.



Table 23-3. DC Current Characteristics (Mobile/Ultra Mobile Only)

Power Plane	Maximum Power Consumption			
	S0	S3 <sub>COLD</sub>	S4/S5	G3
Vcc1_05 <sup>1,2</sup>	0.94 A	NA	NA	NA
VccSus1_05 <sup>3</sup>	17 mA	17 mA	17 mA	NA
VccLAN1_05 <sup>3</sup>	30 mA	3 mA	3 mA	NA
Vcc1_5_A	0.64 A	NA	NA	NA
Vcc1_5_B	0.77 A	NA	NA	NA
Vcc3_3	0.27 A	NA	NA	NA
VccHDA <sup>4</sup>	56 mA	NA	NA	NA
VccHDA <sup>5</sup>	92 mA	NA	NA	NA
VccSus3_3 <sup>1,6</sup>	45 mA	21 mA	21 mA	NA
VccSusHDA <sup>4</sup>	10 mA	2 mA	2 mA	NA
VccSusHDA <sup>5</sup>	17 mA	2 mA	2 mA	NA
VccLAN3_3 <sup>2</sup>	40 mA	7 mA	7 mA	NA
VccRTC <sup>7</sup>	NA	NA	NA	6 uA
V5REF	6 mA	NA	NA	NA
V5REF_Sus	10 mA	10 mA	10 mA	NA
V_CPU_IO	14 mA	NA	NA	NA
VccUSBPLL	10 mA	NA	NA	NA
VccDMIPLL	50 mA	NA	NA	NA
VccSATAPLL	50 mA	NA	NA	NA

**NOTES:**

1. When the internal VccSus1\_05 voltage regulator on the ICH7-M/ICH7-U is enabled, VccSus1\_05 is included in the Vcc1\_05 rail during the S0 state and in the VccSus3\_3 rail during the S3 - S5 states. There is a negligible change in Vcc1\_05 and VccSus3\_3 maximum power consumption when internal VccSus1\_05 VR is disabled.
2. When the internal VccSus1\_05 voltage regulator on the ICH7-M/ICH7-U is enabled, VccLAN1\_05 is included in the Vcc1\_05 rail during the S0 state and in the VccLAN3\_3 rail during the S3 - S5 states. There is a negligible change in Vcc1\_05 and VccLAN3\_3 maximum power consumption when internal VccSus1\_05 VR is disabled.
3. Integrated VccSus1\_05 VR disabled.
4. VccHDA and VccSusHDA at 3.3 V.
5. VccHDA and VccSusHDA at 1.5 V.
6. VccSus3\_3 assumes that the 8 high-speed USB 2.0 devices are connected to the ICH7's root ports.
7. Icc (RTC) data is estimated with VccRTC at 3.0 V while the system is in a mechanical off (G3) state at room temperature. Only the G3 state of this rail is shown to provide an estimate of battery life.



Table 23-4. DC Characteristic Input Signal Association (Sheet 1 of 2)

Symbol	Associated Signals
$V_{IH1}/V_{IL1}$ (5V Tolerant)	<b>PCI Signals:</b> AD[31:0], C/BE[3:0]#, DEVSEL#, FRAME#, IRDY#, PAR, PERR#, PLOCK#, REQ[3:0]#, REQ4#/GPIO22, REQ5#/GPIO1, SERR#, STOP#, TRDY# <b>Interrupt Signals:</b> PIRQ[D:A]#, PIRQ[H:E]#/GPIO[5:2]
$V_{IH2}/V_{IL2}$ (5V Tolerant)	<b>Interrupt Signals:</b> IDEIRQ
$V_{IH3}/V_{IL3}$	<b>Clock Signals:</b> CLK14, CLK48 <b>Power Management Signals:</b> MCH_SYNC#, THRM#, VRMPWRGD <b>SATA Signals:</b> Desktop Only: SATAGP[3:0]/GPIO[37,36,19,21], SATACLKREQ#/GPIO35 Mobile Only: SATAGP[2,0]/GPIO[36,21], SATACLKREQ#/GPIO35 <b>AC '97/Intel® High Definition Audio Signals:</b> Mobile Only: AZ_DOCK_EN#/GPIO33 <b>GPIO Signals:</b> Desktop Only: GPIO[39, 38, 33, 32, 20, 18, 16, 7, 6] Mobile/Ultra Mobile Only: GPIO[39:37, 19, 7, 6] <b>Strap Signals:</b> SPKR, SATALED# (Strap purposes only)
$V_{IH4}/V_{IL4}$	<b>Clock Signals:</b> PCICLK <b>LPC/Firmware Hub Signals:</b> LAD[3:0]/FWH[3:0], LDRQ0#, LDRQ1#/GPIO23 <b>Power Management Signals:</b> Desktop Only: LAN_RST# Mobile/Ultra Mobile Only: BM_BUSY#/GPIO0, CLKRUN#, LAN_RST# <b>PCI Signals:</b> PME# <b>Interrupt Signals:</b> SERIRQ <b>CPU Signals:</b> A20GATE, RCIN# <b>USB Signals:</b> OC[4:0]#, OC[7:5]#/GPIO[31:29] <b>GPIO Signals:</b> GNT4#/GPIO48, GNT5#/GPIO17, GPIO0 <b>SPI Signals:</b> Desktop and Mobile Only: SPI_CS#, SPI_MISO, SPI_ARB
$V_{IH5}/V_{IL5}$	<b>SMBus Signals:</b> SMBCLK, SMBDATA <b>System Management Signals:</b> SMBALERT#/GPIO11 Desktop and Mobile Only: SMLINK[1:0]
$V_{IH6}/V_{IL6}$	<b>LAN Signals:</b> LAN_CLK, LAN_RXD[2:0] <b>EEPROM Signals:</b> EE_DIN <b>Strap Signals:</b> EE_CS, EE_DOUT (Strap purposes only)
$V_{IH7}/V_{IL7}$	<b>Processor Signals:</b> FERR#, THRMTRIP# <b>GPIO Signals:</b> GPIO49/CPUPWRGD
$V_{IMIN8}/V_{IMAX8}$	<b>PCI Express* Data RX Signals:</b> PER[p,n][6:1] (Desktop and Mobile Only)
$V_{IH9}/V_{IL9}$	<b>Real Time Clock Signals:</b> RTCX1
$V_{IMIN10}/V_{IMAX10}$	<b>SATA Signals:</b> Desktop Only: SATA[3:0]RX[P,N] Mobile Only: SATA[2,0]RX[P,N]





Table 23-4. DC Characteristic Input Signal Association (Sheet 2 of 2)

Symbol	Associated Signals
$V_{IH11}/V_{IL11}$	<p><b>AC '97/Intel® High Definition Audio Signals:</b> ACZ_SDIN[2:0], Mobile Only: AZ_DOCK_RST#/GPIO34</p> <p><b>AC '97 Signals:</b> ACZ_BIT_CLK</p> <p><b>Strap Signals:</b> ACZ_SDOUT, ACZ_SYNC (Strap purposes only)</p> <p><b>GPIO Signals:</b> GPIO34 (Desktop Only)</p> <p><b>NOTE:</b> See <math>V_{IL\_HDA}/V_{IH\_HDA}</math> for High Definition Audio Low Voltage Mode (Mobile/Ultra Mobile Only)</p>
$V_{IH12}/V_{IL12}/V_{cross(abs)}$	<p><b>Clock Signals:</b> DMI_CLKN, DMI_CLKP, SATA_CLKN, SATA_CLKP</p>
$V_{IH13}/V_{IL13}$	<p><b>Power Management Signals:</b> Desktop Only: PWRBTN#, RI#, SYS_RESET#, WAKE# Mobile/Ultra Mobile Only: BATLOW#, PWRBTN#, RI#, SYS_RESET#, WAKE#</p> <p><b>System Management Signal:</b> LINKALERT#</p> <p><b>Intel® Quick Resume Technology Signals:</b> EL_STATE[1:0]/GPIO[28:27], EL_RSVD/GPIO26 (ICH7DH Only)</p> <p><b>GPIO Signals:</b> GPIO[28:26, 25:24, 15:12, 10:8]</p> <p><b>Other Signals:</b> TPO</p>
$V_{IH14}/V_{IL14}$	<p><b>Power Management Signals:</b> PWROK, RSMRST#, RTCRST#</p> <p><b>System Management Signals:</b> INTRUDER#</p>
$V_{IH15}/V_{IL15}$	<p><b>Other Signals:</b> INTVRMEN (Desktop and Mobile Only)</p>
$V_{+}/V_{-}/V_{HYS}/V_{THRAVG}/V_{RING}$ (5V Tolerant)	<p><b>IDE Signals:</b> DD[15:0], DDREQ, IORDY,</p> <p>For Ultra DMA Mode 4 and lower these signals follow the DC characteristics for <math>V_{IH2}/V_{IL2}</math></p>
$V_{DI} / V_{CM} / V_{SE}$ (5V Tolerant)	<p><b>USB Signals:</b> USBP[7:0][P,N] (Low-speed and Full-speed)</p>
$V_{HSSQ} / V_{HSDSC} / V_{HSCM}$ (5V Tolerant)	<p><b>USB Signals:</b> USBP[7:0][P,N] (in High-speed Mode)</p>
$V_{IH\_HDA} / V_{IL\_HDA}$ (Mobile/Ultra Mobile Only)	<p><b>Intel® High Definition Audio Signals:</b> ACZ_SDIN[2:0], AZ_DOCK_RST#/GPIO34</p> <p><b>NOTE:</b> Only applies when running in Low Voltage Mode (1.5 V)</p>



Table 23-5. DC Input Characteristics (Sheet 1 of 2)

Symbol	Parameter	Min	Max	Unit	Notes
V <sub>IL1</sub>	Input Low Voltage	-0.5	0.3(V <sub>cc3_3</sub> )	V	
V <sub>IH1</sub>	Input High Voltage	0.5(V <sub>cc3_3</sub> )	V <sub>5REF</sub> + 0.5	V	
V <sub>IL2</sub>	Input Low Voltage	-0.5	0.8	V	
V <sub>IH2</sub>	Input High Voltage	2.0	V <sub>5REF</sub> + 0.5	V	
V <sub>IL3</sub>	Input Low Voltage	-0.5	0.8	V	
V <sub>IH3</sub>	Input High Voltage	2.0	V <sub>cc3_3</sub> + 0.5	V	
V <sub>IL4</sub>	Input Low Voltage	-0.5	0.3(V <sub>cc3_3</sub> )	V	
V <sub>IH4</sub>	Input High Voltage	0.5(V <sub>cc3_3</sub> )	V <sub>cc3_3</sub> + 0.5	V	
V <sub>IL5</sub>	Input Low Voltage	-0.5	0.8	V	
V <sub>IH5</sub>	Input High Voltage	2.1	V <sub>ccSus3_3</sub> + 0.5	V	
V <sub>IL6</sub>	Input Low Voltage	-0.5	0.3(V <sub>cc3_3</sub> )	V	
V <sub>IH6</sub>	Input High Voltage	0.6(V <sub>cc3_3</sub> )	V <sub>cc3_3</sub> + 0.5	V	
V <sub>IL7</sub>	Input Low Voltage	-0.5	0.58(V <sub>CPU_IO</sub> )	V	
V <sub>IH7</sub>	Input High Voltage	0.73(V <sub>CPU_IO</sub> )	V <sub>CPU_IO</sub> + 0.5	V	
V <sub>IMIN8</sub>	Minimum Input Voltage	175		mVdiff p-p	1
V <sub>IMAX8</sub>	Maximum Input Voltage		1200	mVdiff p-p	1
V <sub>IL9</sub>	Input Low Voltage	-0.5	0.10	V	
V <sub>IH9</sub>	Input High Voltage	0.40	1.2	V	
V <sub>IMIN10</sub>	Minimum Input Voltage	325		mVdiff p-p	2
V <sub>IMAX10</sub>	Maximum Input Voltage		600	mVdiff p-p	2
V <sub>IMIN10</sub>	Minimum Input Voltage	275		mVdiff p-p	3
V <sub>IMAX10</sub>	Maximum Input Voltage		750	mVdiff p-p	3
V <sub>IL11</sub>	Input Low Voltage	-0.5	0.35(V <sub>cc3_3</sub> )	V	
V <sub>IH11</sub>	Input High Voltage	0.65(V <sub>cc3_3</sub> )	V <sub>cc3_3</sub> + 0.5	V	
V <sub>IL12</sub>	Input Low Voltage	-0.150	0.150	V	
V <sub>IH12</sub>	Input High Voltage	0.660	0.850	V	
V <sub>IL13</sub>	Input Low Voltage	-0.5	0.8	V	
V <sub>IH13</sub>	Input High Voltage	2.0	V <sub>ccSus3_3</sub> + 0.5	V	
V <sub>IL14</sub>	Input Low Voltage	-0.5	0.78	V	
V <sub>IH14</sub>	Input High Voltage	2.0	V <sub>ccRTC</sub> + 0.5	V	4
V <sub>IL15</sub>	Input Low Voltage	-0.5	0.65	V	
V <sub>IH15</sub>	Input High Voltage	2.0	V <sub>ccRTC</sub> + 0.5	V	4
V <sub>cross(abs)</sub>	Absolute Crossing Point	0.250	0.550	V	
V <sub>+</sub>	Low to high input threshold	1.5	2.0	V	5



Table 23-5. DC Input Characteristics (Sheet 2 of 2)

Symbol	Parameter	Min	Max	Unit	Notes
V <sub>-</sub>	High to low input threshold	1.0	1.5	V	5
V <sub>HYS</sub>	Difference between input thresholds: (V <sub>+</sub> current value) – (V <sub>-</sub> current value)	320		mV	5
V <sub>THRAVG</sub>	Average of thresholds: ((V <sub>+</sub> current value) + (V <sub>-</sub> current value))/2	1.3	1.7	V	5
V <sub>RING</sub>	AC Voltage at recipient connector	-1	6	V	5,6
V <sub>DI</sub>	Differential Input Sensitivity	0.2		V	7,8
V <sub>CM</sub>	Differential Common Mode Range	0.8	2.5	V	8,9
V <sub>SE</sub>	Single-Ended Receiver Threshold	0.8	2.0	V	8
V <sub>HSSQ</sub>	HS Squelch Detection Threshold	100	150	mV	8
V <sub>HSDSC</sub>	HS Disconnect Detection Threshold	525	625	mV	8
V <sub>HSCM</sub>	HS Data Signaling Common Mode Voltage Range	-50	500	mV	8
V <sub>HSSQ</sub>	HS Squelch detection threshold	100	150	mV	8
V <sub>HSDSC</sub>	HS disconnect detection threshold	525	625	mV	8
V <sub>HSCM</sub>	HS data signaling common mode voltage range	-50	500	mV	8
V <sub>IL_HDA</sub> (Mobile/ Ultra Mobile Only)	Input Low Voltage		0.4(V <sub>CC_HDA</sub> )	V	
V <sub>IH_HDA</sub> (Mobile/ Ultra Mobile Only)	Input High Voltage	0.6(V <sub>CC_HDA</sub> )		V	

**NOTES:**

1. PCI Express mVdiff p-p = |PETp[x] – PETn[x]|
2. Applicable only when SATA port signaling rate is 1.5 Gb/s: SATA Vdiff, tx (V<sub>IMAX/MIN10</sub>) is measured at the SATA connector on the transmit side (generally, the motherboard connector), where  
SATA mVdiff p-p = |SATA[x]TXP/RXP – SATA[x]TXN/RXN|



3. Applicable only when SATA port signaling rate is 3 Gb/s: SATA Vdiff, tx ( $V_{1MAX/MIN10}$ ) is measured at the SATA connector on the transmit side (generally, the motherboard connector), where  $SATA\ mVdiff\ p-p = |SATA[x]TXP/RXP - SATA[x]TXN/RXN|$
4. VccRTC is the voltage applied to the VccRTC well of the ICH7. When the system is in a G3 state, this is generally supplied by the coin cell battery, but for S5 and greater, this is generally VccSus3\_3.
5. Applies to Ultra DMA Modes greater than Ultra DMA Mode 4
6. This is an AC Characteristic that represents transient values for these signals
7.  $V_{DI} = |USBPx[P] - USBPx[N]|$
8. Applies to High-speed USB 2.0
9. Includes  $V_{DI}$  range

Table 23-6. DC Characteristic Output Signal Association (Sheet 1 of 2)

Symbol	Associated Signals
$V_{OH1}/V_{OL1}$	<b>IDE Signals:</b> DA[2:0], DCS[3,1]#, DDACK#, DD[15:0], DIOR#, DIOW#
$V_{OH2}/V_{OL2}$	<b>Processor Signals:</b> Desktop Only: A20M#, CPUSLP#, IGNNE#, INIT#, INTR, NMI, SMI#, STPCLK#, CPUPWRGD/GPIO49 Mobile/Ultra Mobile Only: A20M#, DPSLP#, DPRSTP#, IGNNE#, INIT#, INTR, NMI, SMI#, STPCLK#, CPUPWRGD/GPIO49
$V_{OH3}/V_{OL3}$	<b>PCI Signals:</b> AD[31:0], C/BE[3:0]#, DEVSEL#, FRAME#, IRDY#, PAR, PERR#, PLOCK#, SERR#, STOP#, TRDY# <b>AC '97/Intel® High Definition Audio Signals:</b> ACZ_RST#, ACZ_SDOOUT, ACZ_SYNC <b>Intel High Definition Audio Signals:</b> ACZ_BIT_CLK  <b>NOTE:</b> See $V_{OH\_HDA}/V_{OL\_HDA}$ for High Definition Audio Low Voltage Mode (Mobile/Ultra Mobile Only)
$V_{OH4}/V_{OL4}$	<b>SMBus Signals:</b> SMBCLK <sup>1</sup> , SMBDATA <sup>1</sup> <b>System Management Signals:</b> SMLINK[1:0] <sup>1</sup> <b>GPIO Signals:</b> GPIO11/SMBALERT <sup>1</sup>
$V_{OH5}/V_{OL5}$	<b>Power Management Signals:</b> Desktop Only: PLTRST#, SLP_S3#, SLP_S4#, SLP_S5#, SUSCLK#, SUS_STAT Mobile/Ultra Mobile Only: DPRSLPVR, PLTRST#, SLP_S3#, SLP_S4#, SLP_S5#, STP_CPU#, STP_PCI#, SUSCLK#, SUS_STAT <b>GPIO Signals:</b> Desktop Only: GPIO[39, 38, 33, 32, 20, 18, 16, 7, 6], GPIO[37,36,19,21]/SATAGP[3:0]#, Mobile/Ultra Mobile Only: GPIO[39:37,19, 7, 6], GPIO[36,21]/SATAGP[2,0]# <b>Intel High Definition Audio Signals:</b> AZ_DOCK_EN#/GPIO33 (Mobile Only) <b>Other Signals:</b> SPKR <b>SATA Signal:</b> SATALED#, SATACLKREQ#/GPIO35 <b>EEPROM Signals:</b> EE_CS, EE_DOUT, EE_SHCLK
$V_{OH6}/V_{OL6}$	<b>USB Signals:</b> USBP[7:0][P,N] in Low-speed and Full-speed Modes
$V_{OMIN7}/V_{OMAX7}$	<b>PCI Express* Data TX Signals:</b> PET[p,n][4:1] on ICH7 and PET[p,n][6:1] on ICH7R and ICH7DH and Mobile
$V_{OMIN8}/V_{OMAX8}$	<b>SATA Signals:</b> Desktop Only: SATA[3:0]TX[P,N] Mobile Only: SATA[2,0]TX[P,N]



Table 23-6. DC Characteristic Output Signal Association (Sheet 2 of 2)

Symbol	Associated Signals
$V_{OH9}/V_{OL9}$	<p><b>LPC/Firmware Hub Signals:</b> LAD[3:0]/FWH[3:0], LFRAME#/FWH[4]</p> <p><b>PCI Signals:</b> PCIRST#, GNT[3:0]#, GNT4/GPIO48, GNT5/GPIO17</p> <p><b>GPIO Signals:</b>            Desktop Only: GPIO[34, 0], GPIO23/LDRQ1#, GPIO22/REQ4#, GPIO[5:2]/PIRQ[H:E]#, GPIO1/REQ5#            Mobile/Ultra Mobile Only: GPIO23/LDRQ1#, GPIO22/REQ4#, GPIO[5:2]/PIRQ[H:E]#, GPIO1/REQ5#, GPIO0/BM_BUSY#</p> <p><b>Intel High Definition Audio Signals:</b> AZ_DOCK_RST#/GPIO34 (Mobile Only)</p> <p><b>Interrupt Signals:</b> SERIRQ</p> <p><b>SPI Signals:</b>            Desktop and Mobile Only: SPI_CS#, SPI_MOSI, SPI_CLK</p> <p><b>Processor Interface Signal:</b> INIT3_3V#</p> <p><b>LAN Signals:</b> LAN_RSTSYNC, LAN_TXD[2:0]</p>
$V_{OH10}/V_{OL10}$	<p><b>GPIO Signals:</b> GPIO[28:26, 25:24, 15:12, 10:8], GPIO[31:29]/OC[7:5]#</p> <p><b>Intel Quick Resume Technology Signals:</b> EL_STATE[1:0]/GPIO[28:27], EL_RSVD/GPIO26 (ICH7DH Only)</p>
$V_{HSOI}$ $V_{HSOH}$ $V_{HSOL}$ $V_{CHIRPJ}$ $V_{CHIRPK}$	<p><b>USB Signals:</b> USBP[7:0][P:N] in High-speed Mode</p>
$V_{OH\_HDA}/V_{OL\_HDA}$ (Mobile/Ultra Mobile Only)	<p>Intel® High Definition Audio Signals: ACZ_RST#, ACZ_SDOOUT, ACZ_SYNC</p> <p><b>NOTE:</b> Only applies when running in Low Voltage Mode (1.5 V)</p>

**NOTES:**

1. These signals are open drain.



Table 23-7. DC Output Characteristics

Symbol	Parameter	Min	Max	Unit	$I_{OL} / I_{OH}$	Notes
$V_{OL1}$	Output Low Voltage		0.51	V	6 mA	
$V_{OH1}$	Output High Voltage	$V_{CC3\_3} - 0.51$		V	-6 mA	
$V_{OL2}$	Output Low Voltage		0.255	V	3 mA	1
$V_{OH2}$	Output High Voltage	$V_{CPU\_IO} - 0.3$		V	-3 mA	
$V_{OL3}$	Output Low Voltage		$0.1(V_{CC3\_3})$	V	1.5 mA	
$V_{OH3}$	Output High Voltage	$0.9(V_{CC3\_3})$		V	-0.5 mA	2
$V_{OL4}$	Output Low Voltage		0.4	V	4 mA	
$V_{OH4}$	Output High Voltage	$V_{CCSUS3\_3} - 0.5$		V	-2 mA	2
$V_{OL5}$	Output Low Voltage		0.4	V	6 mA	
$V_{OH5}$	Output High Voltage	$V_{CC3\_3} - 0.5$		V	-2 mA	
$V_{OL6}$	Output Low Voltage		0.4	V	5 mA	
$V_{OH6}$	Output High Voltage	$V_{CC3\_3} - 0.5$		V	-2 mA	
$V_{OMIN7}$	Minimum Output Voltage	800		mVdif fp-p		3
$V_{OMAX7}$	Maximum Output Voltage		1200	mVdif fp-p		3
$V_{OMIN8}$	Minimum Output Voltage	400		mVdif fp-p		4
$V_{OMAX8}$	Maximum Output Voltage		600	mVdif fp-p		4
$V_{OMIN8}$	Minimum Output Voltage	400		mVdif fp-p		5
$V_{OMAX8}$	Maximum Output Voltage		700	mVdif fp-p		5
$V_{OL9}$	Output Low Voltage		$0.1(V_{CC3\_3})$	V	1.5 mA	
$V_{OH9}$	Output High Voltage	$0.9(V_{CC3\_3})$		V	-0.5 mA	2
$V_{OL10}$	Output Low Voltage		0.4	V	6 mA	
$V_{OH10}$	Output High Voltage	$V_{CCSUS3\_3} - 0.5$		V	-0.5 mA	
$V_{HSOI}$	HS Idle Level	-10.0	10.0	mV		
$V_{HSOH}$	HS Data Signaling High	360	440	mV		
$V_{HSOL}$	HS Data Signaling Low	-10.0	10.0	mV		
$V_{CHIRPJ}$	Chirp J Level	700	1100	mV		
$V_{CHIRPK}$	Chirp K Level	-900	-500	mV		
$V_{OL\_HDA}$ (Mobile/ Ultra Mobile Only)	Output Low Voltage		$0.1(V_{CC\_HDA})$	V	1.5 mA	
$V_{OH\_HDA}$ (Mobile/ Ultra Mobile Only)	Output High Voltage	$0.9(V_{CC\_HDA})$		V	-0.5 mA	

**NOTES:**

- Maximum  $I_{Oj}$  for CPUPWRGD is 12 mA for short durations (<500 ms per 1.5 s) and 9 mA for long durations.
- The SERR#, PIRQ[H:A], GPIO11, SMBDATA, SMBCLK, LINKALERT#, and SMLINK[1:0] signal has an open drain driver and SATALED# has an open collector driver, and the  $V_{OH}$  spec does not apply. This signal must have an external pull-up resistor.
- PCI Express mVdiff p-p = |PETp[x] - PETn[x]|



4. Applicable only when SATA port signaling rate is 1.5 Gb/s: SATA Vdiff, TX ( $V_{OMAX/MIN8}$ ) is measured at the SATA connector on the transmit side closest to the ICH7 (generally, the motherboard connector), where SATA mV diff p-p = |SATAxTXP – SATAxTXN|.
5. Applicable only when SATA port signaling rate is 3 Gb/s: SATA Vdiff, TX ( $V_{OMAX/MIN8}$ ) is measured at the SATA connector on the transmit side closest to the ICH7 (generally, the motherboard connector), where SATA mV diff p-p = |SATAxTXP – SATAxTXN|.

Table 23-8. Other DC Characteristics

Symbol	Parameter	Min	Max	Unit	Notes
V5REF	Intel® ICH7 Core Well Reference Voltage	4.75	5.25	V	1
Vcc3_3	I/O Buffer Voltage	3.135	3.465	V	1
Vcc1_5_A, Vcc1_5_B, VccUSBPLL, VccSATAPLL, VccDMIPLL	Internal Logic and I/O Buffer Voltage	1.425	1.575	V	1
V_CPU_IO	Processor Interface	0.945	1.25	V	1, 2
V5REF_Sus	Suspend Well Reference Voltage	4.75	5.25	V	1
VccSus3_3	Suspend Well I/O Buffer Voltage	3.135	3.465	V	1
Vcc1_05	Internal Logic Voltage	0.998	1.102	V	1
VccSus1_05	Suspend Well Logic Voltage	0.998	1.102	V	1
VccLAN3_3 (Mobile Only)	LAN Controller I/O Buffer Voltage	3.135	3.465	V	
VccLAN1_05 (Mobile Only)	LAN Controller Logic Voltage	0.998	1.102	V	
VccSusHDA (Mobile/Ultra Mobile Only)	High Definition Audio Controller Low Voltage Mode Suspend Voltage	1.425	1.575	V	Same as VccSus3_3 if not in low voltage mode
VccHDA (Mobile/Ultra Mobile Only)	High Definition Audio Controller Low Voltage Mode Core Voltage	1.425	1.575	V	Same as Vcc3_3 if not in low voltage mode
VccRTC	Battery Voltage	2.0	3.6	V	1
V <sub>DI</sub>	Differential Input Sensitivity	0.2		V	(USBPx+, USBPx-)
V <sub>CM</sub>	Differential Common Mode Range	0.8	2.5	V	Includes V <sub>DI</sub>
V <sub>CRS</sub>	Output Signal Crossover Voltage	1.3	2.0	V	
V <sub>SE</sub>	Single Ended Rcvr Threshold	0.8	2.0	V	
I <sub>LI1</sub>	ATA Input Leakage Current	-200	200	μA	(0 V < V <sub>IN</sub> < 5 V)
I <sub>LI2</sub>	PCI_3V Hi-Z State Data Line Leakage	-10	10	μA	(0 V < V <sub>IN</sub> < 3.3 V)
I <sub>LI3</sub>	PCI_5V Hi-Z State Data Line Leakage	-70	70	μA	Max V <sub>IN</sub> = 2.7 V Min V <sub>IN</sub> = 0.5 V
I <sub>LI4</sub>	Input Leakage Current – Clock signals	-100	+100	μA	3



Table 23-8. Other DC Characteristics

Symbol	Parameter	Min	Max	Unit	Notes
C <sub>IN</sub>	Input Capacitance – All Other		12	pF	F <sub>C</sub> = 1 MHz
C <sub>OUT</sub>	Output Capacitance		12	pF	F <sub>C</sub> = 1 MHz
C <sub>I/O</sub>	I/O Capacitance		12	pF	F <sub>C</sub> = 1 MHz
		Typical Value			
C <sub>L</sub>	XTAL1	6		pF	
C <sub>L</sub>	XTAL2	6		pF	

**NOTES:**

1. For all noise components  $\leq 20$  MHz, the sum of the DC voltage and the AC noise component must be within the specified DC min/max operating range on the ICH7 supply voltages.
2. The tolerances shown in Table 23-8 are inclusive of all noise from DC up to 20 MHz. In testing, the voltage rails should be measured with a bandwidth limited oscilloscope that has a rolloff of 3 dB/decade above 20 MHz.
3. Includes CLK14, CLK48, LAN\_CLK, and PCICLK.





## 23.4 AC Characteristics

Table 23-9. Clock Timings (Sheet 1 of 2)

Sym	Parameter	Min	Max	Unit	Notes	Figure
<b>PCI Clock (PCICLK)</b>						
t1	Period	30	33.3	ns		23-1
t2	High Time	11		ns		23-1
t3	Low Time	11		ns		23-1
t4	Rise Time	1	4	V/ns		23-1
t5	Fall Time	1	4	V/ns		23-1
<b>14 MHz Clock (CLK14)</b>						
t6	Period	67	70	ns		23-1
t7	High Time	20		ns		23-1
t8	Low Time	20		ns		23-1
t41	Rising Edge Rate	1.0	4.0	V/ns	1	
t42	Falling Edge Rate	1.0	4.0	V/ns	1	
<b>48 MHz Clock (CLK48)</b>						
f <sub>clk48</sub>	Operating Frequency	48.00 0		MHz	2	
t9	Frequency Tolerance		100	ppm		
t10	High Time	7		ns		23-1
t11	Low Time	7		ns		23-1
t12	Rise Time		1.2	ns		23-1
t13	Fall Time		1.2	ns		23-1
<b>SMBus Clock (SMBCLK)</b>						
f <sub>smb</sub>	Operating Frequency	10	16	KHz		
t18	High time	4.0	50	us	3	23-16
t19	Low time	4.7		us		23-16
t20	Rise time		1000	ns		23-16
t21	Fall time		300	ns		23-16



Table 23-9. Clock Timings (Sheet 2 of 2)

Sym	Parameter	Min	Max	Unit	Notes	Figure
<b>AC '97 Clock (ACZ_BIT_CLK - AC '97 mode) (Desktop and Mobile Only)</b>						
f <sub>ac97</sub>	Operating Frequency	12.288		MHz		
t26	Input Jitter (refer to Clock Chip Specification)	—	2	ns	4	
t27	High time	36	45	ns		23-1
t28	Low time	36	45	ns		23-1
t29	Rise time	2.0	6.0	ns	5	23-1
t30	Fall time	2.0	6.0	ns	5	23-1
<b>ACZ_BIT_CLK (Intel® High Definition Audio Mode)</b>						
fHDA	Operating Frequency	24.0		MHz		
	Frequency Tolerance	—	100	ppm		
t26a	Input Jitter (refer to Clock Chip Specification)	—	300	ppm		
t27a	High Time (Measured at 0.75Vcc)	18.75	22.91	ns		23-1
t28a	Low Time (Measured at 0.35Vcc)	18.75	22.91	ns		23-1
<b>SATA Clock (SATA_CLKP, SATA_CLKN) / DMI Clock (DMI_CLKP, DMI_CLKN) (Desktop and Mobile Only)</b>						
t36	Period	9.997	10.053 3	ns		
t37	Rise time	175	700	ps		
t38	Fall time	175	700	ps		
<b>Suspend Clock (SUSCLK)</b>						
f <sub>susclk</sub>	Operating Frequency	32		kHz	6	
t39	High Time	10	—	us	6	
t39a	Low Time	10	—	us	6	

**NOTES:**

1. CLK14 edge rates in a system as measured from 0.8 V to 2.0 V.
2. The CLK48 expects a 40/60% duty cycle.
3. The maximum high time (t18 Max) provides a simple method for devices to detect bus idle conditions.
4. The ICH7 can tolerate a maximum of 2 ns of jitter from the input BITCLK. Note that clock jitter may impact system timing. Contact your Intel representative for further details and documentation.
5. BITCLK Rise and Fall times are measured from 10%VDD and 90%VDD.
6. SUSCLK duty cycle can range from 30% minimum to 70% maximum.



Table 23-10. PCI Interface Timing

Sym	Parameter	Min	Max	Units	Notes	Figure
t40	AD[31:0] Valid Delay	2	11	ns	<sup>1</sup>	23-2
t41	AD[31:0] Setup Time to PCICLK Rising	7	—	ns		23-3
t42	AD[31:0] Hold Time from PCICLK Rising	0	—	ns		23-3
t43	C/BE[3:0]#, FRAME#, TRDY#, IRDY#, STOP#, PAR, PERR#, PLOCK#, DEVSEL# Valid Delay from PCICLK Rising	2	11	ns	<sup>1</sup>	23-2
t44	C/BE[3:0]#, FRAME#, TRDY#, IRDY#, STOP#, PAR, PERR#, PLOCK#, IDSEL, DEVSEL# Output Enable Delay from PCICLK Rising	2	—	ns		23-6
t45	C/BE[3:0]#, FRAME#, TRDY#, IRDY#, STOP#, PERR#, PLOCK#, DEVSEL#, GNT[A:B]# Float Delay from PCICLK Rising	2	28	ns		23-4
t46	C/BE[3:0]#, FRAME#, TRDY#, IRDY#, STOP#, SERR#, PERR#, DEVSEL#, Setup Time to PCICLK Rising	7	—	ns		23-3
t47	C/BE[3:0]#, FRAME#, TRDY#, IRDY#, STOP#, SERR#, PERR#, DEVSEL#, REQ[A:B]# Hold Time from PCLKIN Rising	0	—	ns		23-3
t48	PCIRST# Low Pulse Width	1	—	ms		23-5
t49	GNT[5:0]# Valid Delay from PCICLK Rising <b>NOTE:</b> GNT[2:0]# not on Ultra Mobile.	2	12	ns		
t50	REQ[5:0]# Setup Time to PCICLK Rising <b>NOTE:</b> REQ[2:0]# not on Ultra Mobile.	12	—	ns		

**NOTES:**

1. Refer to note 3 of table 4-4 in Section 4.2.2.2 and note 2 of table 4-6 in Section 4.2.3.2 of the *PCI Local Bus Specification*, Revision 2.3 for measurement details.



Table 23-11. IDE PIO Mode Timings

Sym	Parameter	Mode 0 (nS)	Mode 1 (nS)	Mode 2 (nS)	Mode 3 (nS)	Mode 4 (nS)	Figure
t60	Cycle Time (min)	600	383	240	180	120	23-7
t61	Addr setup to DIOW#/DIOR# (min)	70	50	30	30	25	23-7
t62	DIRW#/DIOR# (min)	165	125	100	80	70	23-7
t62i	DIOW#/DIOR# recovery time (min)	—	—	—	70	25	23-7
t63	DIOW# data setup (min)	60	45	30	30	20	23-7
t64	DIOW# data hold (min)	30	20	15	10	10	23-7
t65	DIOR# data setup (min)	50	35	20	20	20	23-7
t66	DIOR# data hold (min)	5	5	5	5	5	23-7
t66z	DIOR# data tristate (max)	30	30	30	30	30	23-7
t69	DIOW#/DIOR# to address valid hold (min)	20	15	10	10	10	23-7
t60rd	Read data Valid to IORDY active (min)	0	0	0	0	0	23-7
t60a	IORDY Setup	35	35	35	35	35	23-7
t60b	IORDY Pulse Width (max)	1250	1250	1250	1250	1250	23-7
t60c	IORDY assertion to release (max)	5	5	5	5	5	23-7

Table 23-12. IDE Multiword DMA Timings

Sym	Parameter	Mode 0 (nS)	Mode 1 (nS)	Mode 2 (nS)	Figure
t70	Cycle Time (min)	480	150	120	23-8
t70d	DIOR#/DIOW# (min)	215	80	70	23-8
t70e	DIOR# Data access (max)	150	60	50	23-8
t70f	DIOR# Data hold (min)	5	5	5	23-8
t70g	DIOR#/DIOW# Data setup (min)	100	30	20	23-8
t70h	DIOW# Data hold (min)	20	15	10	23-8
t70i	DDACK# to DIOR#/DIOW# setup (min)	0	0	0	23-8
t70j	DIOR#/DIOW# to DDACK# hold (min)	20	5	5	23-8
t70kr	DIOR# negated pulse width (min)	50	50	25	23-8
t70kw	DIOW# negated pulse width (min)	215	50	25	23-8
t70lr	DIOR# to DDREQ delay (max)	120	40	35	23-8
t70lw	DIOW# to DDREQ delay (max)	40	40	35	23-8
t70m	DCS1#/DCS3# valid to DIOR#/DIOW# (min)	50	30	25	23-8
t70n	DCS1#/DCS3# hold (min)	15	10	10	23-8
t70z	DDACK# to tristate (max)	20	25	25	23-8



Table 23-13. Ultra ATA Timing (Mode 0, Mode 1, Mode 2) (Sheet 1 of 2)

Sym	Parameter <sup>1</sup>	Mode 0 (ns)		Mode 1 (ns)		Mode 2 (ns)		Measuring Location	Figure
		Min	Max	Min	Max	Min	Max		
t80	Sustained Cycle Time (T2cyc <sub>typ</sub> )	240		160		120		Sender Connector	
t81	Cycle Time (T <sub>cyc</sub> )	112	—	73	—	54	—	End Recipient Connector	23-10
t82	Two Cycle Time (T2cyc)	230	—	153	—	115	—	Sender Connector	23-10
t83a	Data Setup Time (T <sub>ds</sub> )	15	—	10	—	7	—	Recipient Connector	23-10
t83b	Recipient IC data setup time (from data valid until STROBE edge) (see Note <sup>2</sup> ) (T <sub>dsic</sub> )	14.7	—	9.7	—	6.8	—	Intel <sup>®</sup> ICH7 ball	
t84a	Data Hold Time (T <sub>dh</sub> )	5	—	5	—	5	—	Recipient Connector	23-10
t84b	Recipient IC data hold time (from STROBE edge until data may become invalid) (see Note <sup>2</sup> ) (T <sub>dhic</sub> )	4.8	—	4.8	—	4.8	—	ICH7 ball	
t85a	Data Valid Setup Time (T <sub>dvs</sub> )	70	—	48	—	31	—	Sender Connector	23-10
t85b	Sender IC data valid setup time (from data valid until STROBE edge) (see Note <sup>2</sup> ) (T <sub>dvsic</sub> )	72.9	—	50.9	—	33.9	—	ICH7 ball	
t86a	Data Valid Hold Time (T <sub>dvh</sub> )	6.2	—	6.2	—	6.2	—	Sender Connector	23-10
t86b	Sender IC data valid hold time (from STROBE edge until data may become invalid) (see Note <sup>2</sup> ) (T <sub>dvhic</sub> )	9	—	9	—	9	—	ICH7 ball	
t87	Limited Interlock Time (T <sub>li</sub> )	0	150	0	150	0	150	See Note 2	23-12
t88	Interlock Time w/ Minimum (T <sub>mli</sub> )	20	—	20	—	20	—	Host Connector	23-12
t89	Envelope Time (T <sub>env</sub> )	20	70	20	70	20	70	Host Connector	23-9
t90	Ready to Pause Time (T <sub>rp</sub> )	160	—	125	—	100	—	Recipient Connector	23-11
t91	DMACK setup/hold Time (T <sub>ack</sub> )	20	—	20	—	20	—	Host Connector	23-9, 23-12
t92a	CRC Word Setup Time at Host (T <sub>cvs</sub> )	70	—	48	—	31	—	Host Connector	



Table 23-13. Ultra ATA Timing (Mode 0, Mode 1, Mode 2) (Sheet 2 of 2)

Sym	Parameter <sup>1</sup>	Mode 0 (ns)		Mode 1 (ns)		Mode 2 (ns)		Measuring Location	Figure
		Min	Max	Min	Max	Min	Max		
t92b	CRC word valid hold time at sender (from DMACK# negation until CRC may become invalid) (see Note <sup>2</sup> ) (Tcvh)	6.2	—	6.2	—	6.2	—	Host Connector	
t93	STROBE output released-to-driving to the first transition of critical timing (Tzfs)	0	—	0	—	0	—	Device Connector	23-12
t94	Data Output Released-to-Driving Until the First Transition of Critical Timing (Tdzfs)	70	—	48	—	31	—	Sender Connector	23-9
t95	Unlimited Interlock Time (Tui)	0	—	0	—	0	—	Host Connector	23-9
t96a	Maximum time allowed for output drivers to release (from asserted or negated) (Taz)	—	10	—	10	—	10	See Note 2	
t96b	Minimum time for drivers to assert or negate (from released) (Tzad)	0	—	0	—	0	—	Device Connector	
t97	Ready-to-final-STROBE time (no STROBE edges shall be sent this long after negation of DMARDY#) (Trfs)	—	75	—	70	—	60	Sender Connector	23-9
t98a	Maximum time before releasing IORDY (Tiordyz)	—	20		20		20	Device Connector	
t98b	Minimum time before driving IORDY (see Note <sup>2</sup> ) (Tziordy)	0	—	0	—	0	—	Device Connector	
t99	Time from STROBE edge to negation of DMARQ or assertion of STOP (when sender terminates a burst) (Tss)	50	—	50	—	50	—	Sender Connector	23-11

**NOTES:**

1. The specification symbols in parentheses correspond to the AT Attachment – 6 with Packet Interface (ATA/ATAPI – 6) specification name.
2. See the AT Attachment – 6 with Packet Interface (ATA/ATAPI – 6) specification for further details on measuring these timing parameters.



Table 23-14. Ultra ATA Timing (Mode 3, Mode 4, Mode 5) (Sheet 1 of 2)

Sym	Parameter <sup>1</sup>	Mode 3 (ns)		Mode 4 (ns)		Mode 5 (ns)		Measuring Location	Figure
		Min	Max	Min	Max	Min	Max		
t80	Sustained Cycle Time (T2cyc <sub>typ</sub> )	90		60		40		Sender Connector	
t81	Cycle Time (T <sub>cyc</sub> )	39	—	25	—	16.8	—	End Recipient Connector	23-10
t82	Two Cycle Time (T2cyc)	86	—	57	—	38	—	Sender Connector	23-10
t83	Data Setup Time (T <sub>ds</sub> )	7	—	5	—	4.0	—	Recipient Connector	23-10
t83b	Recipient IC data setup time (from data valid until STROBE edge) (see Note <sup>2</sup> ) (T <sub>dsic</sub> )	6.8	—	4.8	—	2.3	—	ICH7 Balls	
t84	Data Hold Time (T <sub>dh</sub> )	5	—	5	—	4.6	—	Recipient Connector	23-10
t84b	Recipient IC data hold time (from STROBE edge until data may become invalid) (see Note <sup>2</sup> ) (T <sub>dhic</sub> )	4.8	—	4.8	—	2.8	—	ICH7 Balls	
t85	Data Valid Setup Time (T <sub>dvs</sub> )	20	—	6.7	—	4.8	—	Sender Connector	23-9 23-10
t85b	Sender IC data valid setup time (from data valid until STROBE edge) (see Note <sup>2</sup> ) (T <sub>dvsic</sub> )	22.6	—	9.5	—	6.0	—	ICH7 Balls	
t86	Data Valid Hold Time (T <sub>dvh</sub> )	6.2	—	6.2	—	4.8	—	Sender Connector	23-9 23-10
t86b	Sender IC data valid hold time (from STROBE edge until data may become invalid) (see Note <sup>2</sup> ) (T <sub>dvhic</sub> )	9.0	—	9.0	—	6.0	—	ICH7 Balls	
t87	Limited Interlock Time (T <sub>li</sub> )	0	100	0	100	0	75	See Note 2	23-12
t88	Interlock Time w/ Minimum (T <sub>mli</sub> )	20	—	20	—	20	—	Host Connector	23-12
t89	Envelope Time (T <sub>env</sub> )	20	55	20	55	20	50	Host Connector	23-10
t90	Ready to Pause Time (T <sub>rp</sub> )	100	—	100	—	85	—	Recipient Connector	23-11
t91	DMACK setup/hold Time (T <sub>ack</sub> )	20	—	20	—	20	—	Host Connector	23-12
t92a	CRC Word Setup Time at Host (T <sub>cv<sub>s</sub></sub> )	20	—	6.7	—	10	—	Host Connector	



Table 23-14. Ultra ATA Timing (Mode 3, Mode 4, Mode 5) (Sheet 2 of 2)

Sym	Parameter <sup>1</sup>	Mode 3 (ns)		Mode 4 (ns)		Mode 5 (ns)		Measuring Location	Figure
		Min	Max	Min	Max	Min	Max		
t92b	CRC Word Hold Time at Sender CRC word valid hold time at sender (from DMACK# negation until CRC may become invalid) (see Note <sup>2</sup> ) (Tcvh)	6.2	—	6.2	—	10.0	—	Host Connector	
t93	STROBE output released-to-driving to the first transition of critical timing (Tzfs)	0	—	0	—	35	—	Device Connector	23-12
t94	Data Output Released-to-Driving Until the First Transition of Critical Timing (Tdzfs)	20.0	—	6.7	—	25	—	Sender Connector	
t95	Unlimited Interlock Time (Tui)	0	—	0	—	0	—	Host Connector	
t96a	Maximum time allowed for output drivers to release (from asserted or negated) (Taz)	—	10	—	10	—	10	See Note 2	
t96b	Drivers to assert or negate (from released) (Tzad)	0	—	0	—	0	—	Device Connector	
t97	Ready-to-final-STROBE time (no STROBE edges shall be sent this long after negation of DMARDY#) (Trfs)	—	60	—	60	—	50	Sender Connector	
t98a	Maximum time before releasing IORDY (Tiordyz)	—	20	—	20	—	20	Device Connector	
t98b	Minimum time before driving IORDY (see Note <sup>2</sup> ) (Tziordy)	0	—	0	—	0	—	Device Connector	
t99	Time from STROBE edge to negation of DMARQ or assertion of STOP (when sender terminates a burst) (Tss)	50	—	50	—	50	—	Sender Connector	23-11

**NOTES:**

1. The specification symbols in parentheses correspond to the AT Attachment – 6 with Packet Interface (ATA/ATAPI – 6) specification name.
2. See the AT Attachment – 6 with Packet Interface (ATA/ATAPI – 6) specification for further details on measuring these timing parameters.





Table 23-15. Universal Serial Bus Timing

Sym	Parameter	Min	Max	Units	Notes	Fig
<b>Full-speed Source<sup>1</sup></b>						
t100	USBPx+, USBPx- Driver Rise Time	4	20	ns	Note <sup>2</sup> , C <sub>L</sub> = 50 pF	23-13
t101	USBPx+, USBPx- Driver Fall Time	4	20	ns	Note <sup>2</sup> , C <sub>L</sub> = 50 pF	23-13
t102	Source Differential Driver Jitter To Next Transition For Paired Transitions	-3.5 -4	3.5 4	ns ns	3, 4	23-14
t103	Source SEO interval of EOP	160	175	ns	5	23-15
t104	Source Jitter for Differential Transition to SEO Transition	-2	5	ns	6	
t105	Receiver Data Jitter Tolerance To Next Transition For Paired Transitions	-18.5 -9	18.5 9	ns ns	4	23-14
t106	EOP Width: Must accept as EOP	82	—	ns	5	23-15
t107	Width of SEO interval during differential transition	—	14	ns		
<b>Low-speed Source<sup>7</sup></b>						
t108	USBPx+, USBPx – Driver Rise Time	75	300	ns	Note <sup>2, 8</sup> , C <sub>L</sub> = 50 pF C <sub>L</sub> = 350 pF	23-13
t109	USBPx+, USBPx – Driver Fall Time	75	300	ns	Note <sup>2, 8</sup> , C <sub>L</sub> = 50 pF C <sub>L</sub> = 350 pF	23-13
t110	Source Differential Driver Jitter To Next Transition For Paired Transitions	-25 -14	25 14	ns ns	3, 4	23-14
t111	Source SEO interval of EOP	1.25	1.50	μs	5	23-15
t112	Source Jitter for Differential Transition to SEO Transition	-40	100	ns	6	
t113	Receiver Data Jitter Tolerance To Next Transition For Paired Transitions	-152 -200	152 200	ns ns	4	23-14
t114	EOP Width: Must accept as EOP	670	—	ns	5	23-15
t115	Width of SEO interval during differential transition	—	210	ns		

**NOTES:**

1. Full-speed Data Rate has minimum of 11.97 Mb/s and maximum of 12.03 Mb/s.
2. Driver output resistance under steady state drive is specified at 28 ohms at minimum and 43 ohms at maximum.
3. Timing difference between the differential data signals.
4. Measured at crossover point of differential data signals.
5. Measured at 50% swing point of data signals.
6. Measured from last crossover point to 50% swing point of data line at leading edge of EOP.
7. Low-speed Data Rate has a minimum of 1.48 Mb/s and a maximum of 1.52 Mb/s.
8. Measured from 10% to 90% of the data signal.



**Table 23-16. SATA Interface Timings (Desktop and Mobile Only)**

Sym	Parameter	Min	Max	Units	Notes	Figure
UI	Gen I Operating Data Period	666.43	670.12	ps		
UI-2	Gen II Operating Data Period (3Gb/s)	333.21	335.06	ps		
t120	Rise Time	0.2	0.41	UI	1	
t121	Fall Time	0.2	0.41	UI	2	
t122	TX differential skew	—	20	ps		
t123	COMRESET	310.4	329.6	ns	3	
t124	COMWAKE transmit spacing	103.5	109.9	ns	3	
t125	OOB Operating Data period	646.67	686.67	ns	4	

**NOTES:**

1. 20% – 80% at transmitter
2. 80% – 20% at transmitter
3. As measured from 100 mV differential crosspoints of last and first edges of burst.
4. Operating data period during Out-Of-Band burst transmissions.

**Table 23-17. SMBus Timing**

Sym	Parameter	Min	Max	Units	Notes	Figure
t130	Bus Tree Time Between Stop and Start Condition	4.7	—	μs		23-16
t131	Hold Time after (repeated) Start Condition. After this period, the first clock is generated.	4.0	—	μs		23-16
t132	Repeated Start Condition Setup Time	4.7	—	μs		23-16
t133	Stop Condition Setup Time	4.0	—	μs		23-16
t134	Data Hold Time	0	—	ns	1	23-16
t135	Data Setup Time	250	—	ns		23-16
t136	Device Time Out	25	35	ms	2	
t137	Cumulative Clock Low Extend Time (slave device)	—	25	ms	3	23-17
t138	Cumulative Clock Low Extend Time (master device)	—	10	ms	4	23-17

**NOTES:**

1. t134 has a minimum timing for I<sup>2</sup>C of 0 ns, while the minimum timing for SMBus is 300 ns.
2. A device will timeout when any clock low exceeds this value.
3. t137 is the cumulative time a slave device is allowed to extend the clock cycles in one message from the initial start to stop. If a slave device exceeds this time, it is expected to release both its clock and data lines and reset itself.
4. t138 is the cumulative time a master device is allowed to extend its clock cycles within each byte of a message as defined from start-to-ack, ack-to-ack or ack-to-stop.



Table 23-18. AC '97 / Intel® High Definition Audio Timing

Sym	Parameter	Min	Max	Units	Notes	Figures
t140	ACZ_SDIN[2:0] Setup to Falling Edge of ACZ_BIT_CLK	10	—	ns	1	23-30
t141	ACZ_SDIN[2:0] Hold from Falling Edge of ACZ_BIT_CLK	10	—	ns	1	23-30
t142	ACZ_SYNC, ACZ_SDOUT valid delay from rising edge of ACZ_BIT_CLK	—	15	ns	1	23-30
t143	Time duration for which ACZ_SDOUT is valid before ACZ_BIT_CLK edge.	7	—	ns	2	23-31
t144	Time duration for which ACZ_SDOUT is valid after ACZ_BIT_CLK edge.	7	—	ns	2	23-31
t145	Setup time for ACZ_SDIN[2:0] at rising edge of ACZ_BIT_CLK	15	—	ns	2	23-31
t146	Hold time for ACZ_SDIN[2:0] at rising edge of ACZ_BIT_CLK	0	—	ns	2	23-31

**NOTES:**

1. Audio link operating in AC '97 mode. (Desktop and Mobile Only)
2. Audio link operating in Intel High Definition Audio mode.

Table 23-19. LPC Timing

Sym	Parameter	Min	Max	Units	Notes	Figures
t150	LAD[3:0] Valid Delay from PCICLK Rising	2	11	ns		23-2
t151	LAD[3:0] Output Enable Delay from PCICLK Rising	2	—	ns		23-6
t152	LAD[3:0] Float Delay from PCICLK Rising	—	28	ns		23-4
t153	LAD[3:0] Setup Time to PCICLK Rising	7	—	ns		23-3
t154	LAD[3:0] Hold Time from PCICLK Rising	0	—	ns		23-3
t155	LDRQ[1:0]# Setup Time to PCICLK Rising	12	—	ns		23-3
t156	LDRQ[1:0]# Hold Time from PCICLK Rising	0	—	ns		23-3
t157	LFRAME# Valid Delay from PCICLK Rising	2	12	ns		23-2

Table 23-20. Miscellaneous Timings

Sym	Parameter	Min	Max	Units	Notes	Figures
t160	SERIRQ Setup Time to PCICLK Rising	7	—	ns		23-3
t161	SERIRQ Hold Time from PCICLK Rising	0	—	ns		23-3
t162	RI#, EXTSMI#, GPIO, USB Resume Pulse Width	2	—	RTCCLK		23-5
t163	SPKR Valid Delay from OSC Rising	—	200	ns		23-2
t164	SERR# Active to NMI Active	—	200	ns		
t165	IGNNE# Inactive from FERR# Inactive	—	230	ns		



**Table 23-21. SPI Timings (Desktop and Mobile Only)**

Sym	Parameter	Min	Max	Units	Notes	Figures
t180	Serial Clock Frequency	17.3	18.4	MHz	1	
t182	Duty cycle at the host	40	60	%		23-32
t183	Tco of SPI_MOSI with respect to serial clock falling edge at the host	-5	13	ns		23-32
t184	Setup of SPI_MISO with respect to serial clock falling edge at the host	16	—	ns		23-32
t185	Hold of SPI_MISO with respect to serial clock falling edge at the host	0	—	ns		23-32
t186	Setup of SPI_CS# assertion with respect to serial clock rising at the host.	30	—	ns		23-32
t187	Hold of SPI_CS# deassertion with respect to serial clock falling at the host.	30	—	ns		23-32

**NOTES:**

1. The typical clock frequency driven by the ICH7 is 17.9 MHz.

**Table 23-22. (Power Sequencing and Reset Signal Timings (Sheet 1 of 2))**

Sym	Parameter	Min	Max	Units	Notes	Fig
t200	VccRTC active to RTCRST# inactive	18	—	ms		23-18 23-19
t201	V5REF_Sus active to VccSus3_3 active	0	—	ms	1	23-18 23-19
t202	VccSus3_3 active to VccSus1_05 active	—	—	—	2	23-18 23-19
t203	VccRTC supply active to VccSus supplies active	0	—	ms	3	23-18 23-19
t204	VccSus supplies active to LAN_RST# inactive, RSMRST# inactive (Desktop Only)	10	—	ms		23-18 23-20
t205	VccSus supplies active to RSMRST# inactive (Mobile/Ultra Mobile Only)	5	—	ms		23-19 23-21
t206	VccLAN3_3 active to VccLAN1_05 active (Mobile Only)	—	—	—	4	23-19
t207	VccSus supplies active to VccLAN supplies active (Mobile Only)	0	—	ms	5	23-19
t208	VccLAN supplies active to LAN_RST# inactive (Mobile Only)	10	—	ms		23-19
t209	V5REF active to Vcc3_3 active	0	—	ms	1	23-18 23-19
t211	Vcc1_5 active to V_CPU_IO active	—	—	—	6	23-18 23-19



Table 23-22. (Power Sequencing and Reset Signal Timings (Sheet 2 of 2))

Sym	Parameter	Min	Max	Units	Notes	Fig
t212	VccLAN supplies active to Vcc supplies active (Mobile Only)	0	—	ms	5	23-19
t213	VccSus supplies active to Vcc supplies active (Desktop Only)	0	—	ms	3	23-18
t214	Vcc supplies active to PWROK <b>NOTE:</b> PWROK assertion indicates that PCICLK has been stable for at least 1 ms.	99	—	ms	5, 7	23-18 23-19 23-20 23-21 23-23 23-24 23-25 23-26
t215	V_CPU_IO active to STPCLK# and CPUSLP# inactive (Desktop Only)	—	50	ns		23-20 23-23 23-24
t216	Vcc active to DPRSLPVR inactive and STPCLK#, STP_CPU#, STP_PCI#, DPSLP#, DPRSTP# inactive (Mobile/Ultra Mobile Only)	—	50	ns		23-21 23-25 23-26
t217	PWROK and VRMPWRGD active and SYS_RESET# inactive to SUS_STAT# inactive and Processor I/F signals latched to strap value	32	38	RTCCLK	8, 9	23-20 23-21 23-23 23-24 23-25 23-26
t218	SUS_STAT# inactive to PLTRST# inactive	2	3	RTCCLK	9	23-20 23-21 23-23 23-24 23-25 23-26
t228	ACZ_RST# active low pulse width	1	—	us		
t229	ACZ_RST# inactive to ACZ_BIT_CLK startup delay	162.8	—	ns		

**NOTES:**

- 5REF must be powered up before Vcc3\_3, or after Vcc3\_3 within 0.7 V. Also, V5REF must power down after Vcc3\_3, or before Vcc3\_3 within 0.7 V.
- The associated 3.3 V and 1.05 V supplies are assumed to power up or down 'together'. If the integrated VccSus1\_05 voltage regulator is **not** used: **a)** VccSus3\_3 must power up before VccSus1\_05 or after VccSus1\_05 within 0.7 V, **b)** VccSus1\_05 must power down before VccSus3\_3 or after VccSus3\_3 within 0.7 V.
- The VccSus supplies must **not** be active while the VccRTC supply is inactive.
- (Mobile Only) – **a)** VccLan3\_3 must power up before VccLAN1\_05 or after VccLAN1\_05 within 0.7 V, **b)** VccLAN1\_05 must power down before VccLAN3\_3 or after VccLAN3\_3 within 0.7V.
- (Mobile Only) - Vcc or VccLAN supplies must not be active while the VccSus supplies are inactive, and the Vcc supplies must not be active while the VccLAN supplies are inactive.
- Vcc1\_5 must power up before V\_CPU\_IO or after V\_CPU\_IO within 0.7 V, b) V\_CPU\_IO must power down before Vcc1\_5 or after Vcc1\_5 within 0.7 V.
- Vcc supplies refer to all "core well" supplies: Vcc3\_3, Vcc1\_05, Vcc1\_5, V5REF, VccUSBPLL, VccDMIPLL, VccSATAPLL, V\_CPU\_IO and VccHDA (Mobile Only). It implies that all "suspend wells" and VccRTC are stable too.
- INIT# value determined by value of the CPU BIST Enable bit (Chipset Configuration Register Offset 3414h: bit 2).
- These transitions are clocked off the internal RTC. 1 RTC clock is approximately from 28.992  $\mu$ s to 32.044  $\mu$ s.



Table 23-23. Power Management Timings (Sheet 1 of 3)

Sym	Parameter	Min	Max	Units	Notes	Fig
t230	VccSus active to SLP_S5#, SLP_S4#, SLP_S3#, SUS_STAT#, PLTRST# and PCIRST# active		50	ns		23-20 23-21
t231 t232	RSMRST# inactive to SUSCLK running, SLP_S5# inactive		110	ms	1, 2	23-20 23-21
t233	SLP_S5# inactive to SLP_S4# inactive	See Note Below			3	23-20 23-21
t234	SLP_S4# inactive to SLP_S3# inactive	1	2	RTCCLK	4	23-20 23-21
t250	Processor I/F signals latched prior to STPCLK# active (Mobile/Ultra Mobile Only)	0			5	23-27 23-29 23-30
t253	DPSLP#/Ultra Mobile active to STP_CPU# active (Mobile Only)	1	1	PCICLK	6	23-28 23-29
t254	STP_CPU# active to processor clock stopped (Mobile/Ultra Mobile Only)	0	–	PCICLK	6, 7	23-29 23-30
t255	STP_CPU# active to DPRSTP#, DPRSLPVR active (Mobile/Ultra Mobile Only)	0				23-29
t265	Break Event to DPRSTP#, DPRSLPVR inactive (C4 Exit) (Mobile/Ultra Mobile Only)	1.5	1.8	µs	8	23-29
t266	DPRSLPVR, DPRSTP# inactive to STP_CPU# inactive and CPU Vcc ramped (Mobile/Ultra Mobile Only)	Programmable. See D31:F0:AA, bits 3:2		µs		23-29
t267	Break Event to STP_CPU# inactive (C3 Exit) (Mobile/Ultra Mobile Only)	6	Note 14	PCICLK	6, 9, 10	23-28
t268	STP_CPU# inactive to processor clock running (Mobile/Ultra Mobile Only)	0	3	PCICLK	6, 7	23-29 23-30
t269	STP_CPU# inactive to DPSLP# inactive (Mobile/Ultra Mobile Only)	1	1	PCICLK	6, 11	23-28 23-29
t271	S1 Wake Event to CPUSLP# inactive (Desktop Only)	1	25	PCICLK	6	23-22
t273	Break Event to STPCLK# inactive (C2 Exit) (Mobile/Ultra Mobile Only)	0		ns		23-27
t274	STPCLK# inactive to processor I/F signals unlatched (Mobile/Ultra Mobile Only)	8	9	PCICLK	5, 6	23-27 23-29 23-30
t280	STPCLK# active to DMI Message	0		PCICLK	12	23-22 23-23 23-24 23-25 23-26



Table 23-23. Power Management Timings (Sheet 2 of 3)

Sym	Parameter	Min	Max	Units	Notes	Fig
t281	DMI Message to CPUSLP# active (Desktop Only)	60	63	PCICLK	6	23-22
t283	DMI Message to SUS_STAT# active	2		RTCCLK	4	23-23 23-24 23-25 23-26
t284	SUS_STAT# active to PLTRST#, PCIRST# active (Desktop Only)	7	17	RTCCLK	4	23-23 23-24
t285	SUS_STAT# active to STP_PCI# active (Mobile/Ultra Mobile Only)	2	10	RTCCLK	4	23-25 23-26
t286	STP_PCI# active to PLTRST# and PCIRST# active (Mobile/Ultra Mobile Only)	5	7	RTCCLK	4	23-25 23-26
t287	PLTRST#, PCIRST# active to SLP_S3# active	1	2	RTCCLK	4	23-23 23-24 23-25 23-26
t288	(S3 <sub>COLD</sub> Configuration Only) SLP_S3# active to PWROK, VRMPWRGD inactive (Mobile/Ultra Mobile Only)	0		ms	13	23-25
t289	SLP_S3# active to PWROK, VRMPWRGD inactive (Desktop Only)	0		ms	13	23-23
t290	(S3 <sub>COLD</sub> Configuration Only) PWROK, VRMPWRGD inactive to Vcc supplies inactive (Mobile/Ultra Mobile Only)	20		ns	14, 15	23-25
t291	SLP_S3# active to SLP_S4# active	1	2	RTCCLK	4	23-23 23-24 23-25 23-26
t292	(S3 <sub>HOT</sub> Configuration Only) SLP_S4# active to VRMPWRGD and PWROK inactive	0		ms	13	23-24 23-26
t293	(S3 <sub>HOT</sub> Configuration Only) PWROK, VRMPWRGD inactive to Vcc supplies inactive	20		ns	14, 15	23-24 23-26
t294	PWROK, VRMPWRGD inactive to Vcc supplies inactive (Desktop Only)	20		ns	14, 15	23-23
t295	SLP_S4# active to SLP_S5# active	1	2	RTCCLK	4, 16	23-23 23-24 23-25 23-26
t296	Wake Event to SLP_S5# inactive	1	10	RTCCLK	4	23-23 23-24 23-25 23-26
t297	SLP_S5# inactive to SLP_S4# inactive	See Note Below			3	23-23 23-24 23-25 23-26



Table 23-23. Power Management Timings (Sheet 3 of 3)

Sym	Parameter	Min	Max	Units	Notes	Fig
t298	SLP_S4# inactive to SLP_S3# inactive	1	2	RTCCLK	4	23-23 23-24 23-25 23-26
t299	S4 Wake Event to SLP_S4# inactive (S4 Wake)	See Note Below			3	23-23 23-24 23-25 23-26
t300	S3 Wake Event to SLP_S3# inactive (S3 Wake)	0	small as possible	RTCCLK	4	23-23 23-24 23-25 23-26
t301	CPUSLP# inactive to STPCLK# inactive (Desktop Only)	8		PCICLK		23-22
t302	SLP_S3# inactive to ICH7 check for PWROK active	4	5	msec		23-23 23-24 23-25 23-26
t303	SLP_S3# active to Vcc supplies inactive	5		us	15, 17	
<b>Other Timings</b>						
t310	THRMTrip# active to SLP_S3#, SLP_S4#, SLP_S5# active		3	PCI CLK		
t311	RSMRST# rising edge transition from 20% to 80%		50	us		
t312	RSMRST# falling edge transition				18	

**NOTES:**

- If there is no RTC battery in the system, so VccRTC and the VccSus supplies come up together, the delay from RTCRST# and RSMRST# inactive to SUSCLK toggling may be as much as 2.5 s.
- If the AFTERG3\_EN bit (GEN\_PMCON\_3 Configuration Register Bit 1) is set to a 1, SLP\_S5# will not be deasserted until a wake event is detected. If the AFTERG3\_EN bit is set to 0, SLP\_S5# will deassert within the specification listed in the table.
- The Min/Max times depend on the programming of the "SLP\_S4# Minimum Assertion Width" and the "SLP\_S4# Assertion Stretch Enable bits (D31:F0:A4h bits 5:3).
- These transitions are clocked off the internal RTC. 1 RTC clock is approximately 28.992 μs to 32.044 μs.
- Note that this does not apply for synchronous SMIs.
- These transitions are clocked off the 33 MHz PCICLK. 1 PCICLK is approximately 30 ns.
- This is a clock generator specification.
- This is non-zero to enforce the minimum assert time for DPRSLPVR. If the minimum assert time for DPRSLPVR has been met, then this is permitted to be 0.
- This is non-zero to enforce the minimum assert time for STP\_CPU#. If the minimum assert time for STP\_CPU# has been met, then this is permitted to be 0.
- This value should be at most a few clocks greater than the minimum.
- This value is programmable in multiples of 1024 PCI CLKs. Maximum is 8192 PCI CLKs (245.6 μs).
- The ICH7 STPCLK# assertion will trigger the processor to send a stop grant acknowledge cycle. The timing for this cycle getting to the ICH7 is dependant on the processor and the memory controller.
- The ICH7 has no maximum timing requirement for this transition. It is up to the system designer to determine if the SLP\_S3#, SLP\_S4# and SLP\_S5# signals are used to control the power planes.
- t290, t293, and t294 apply during S0 to G3 transitions only. In addition, the timings are not applied to V5REF. V5REF timings are bonded by power sequencing.
- A Vcc supply is inactive when the voltage is below the min value specified in Table 23-8.
- If the transition to S5 is due to Power Button Override, SLP\_S3#, SLP\_S4# and SLP\_S5# are asserted together similar to timing t287 (PCIRST# active to SLP\_S3# active).
- t303 applies during S0 to S3-S5 transitions.
- RSMRST# falling edge must transition to 0.8 V or less before VccSus3\_3 drops to 2.1 V.





## 23.5 Timing Diagrams

Figure 23-1. Clock Timing

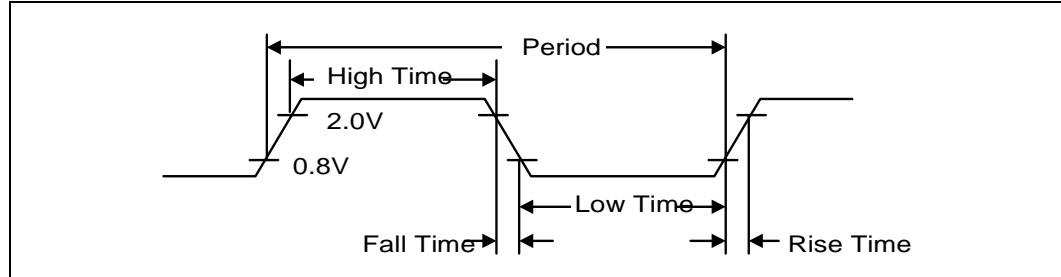


Figure 23-2. Valid Delay from Rising Clock Edge

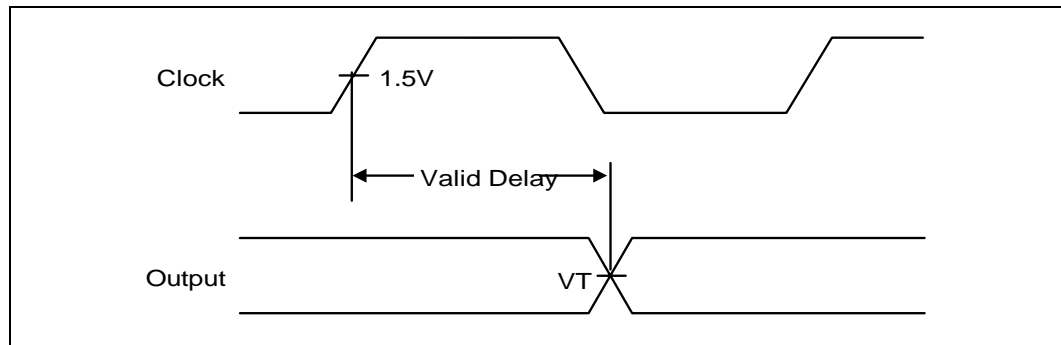


Figure 23-3. Setup and Hold Times

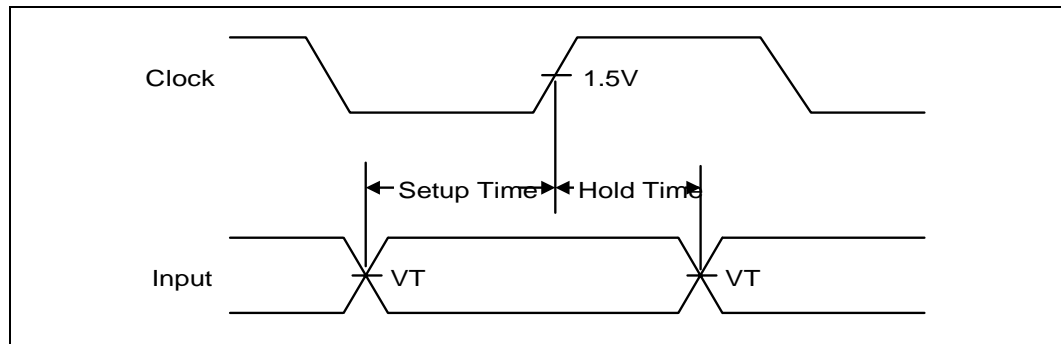


Figure 23-4. Float Delay

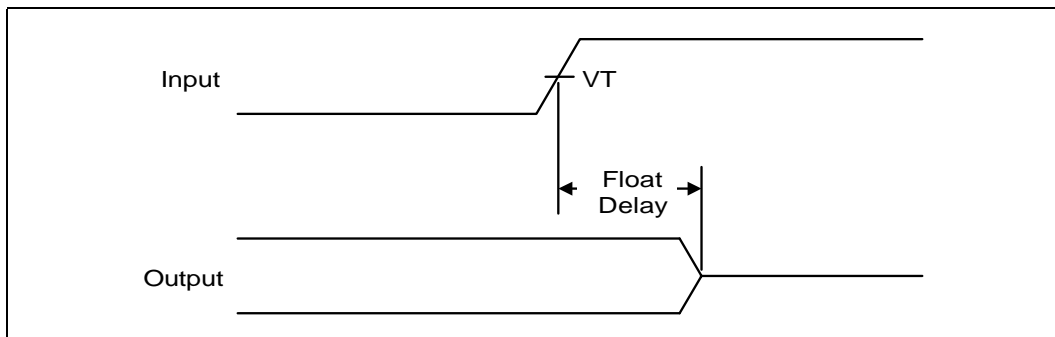


Figure 23-5. Pulse Width

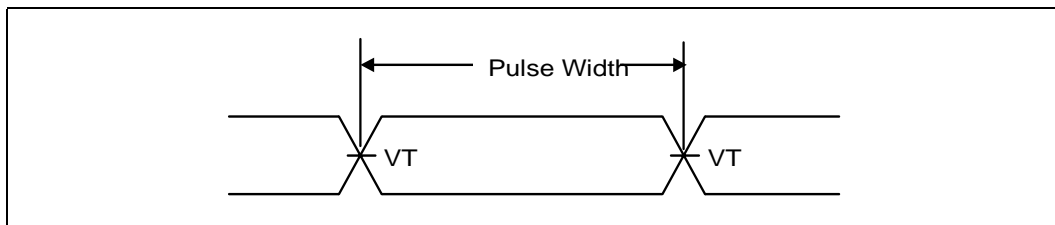


Figure 23-6. Output Enable Delay

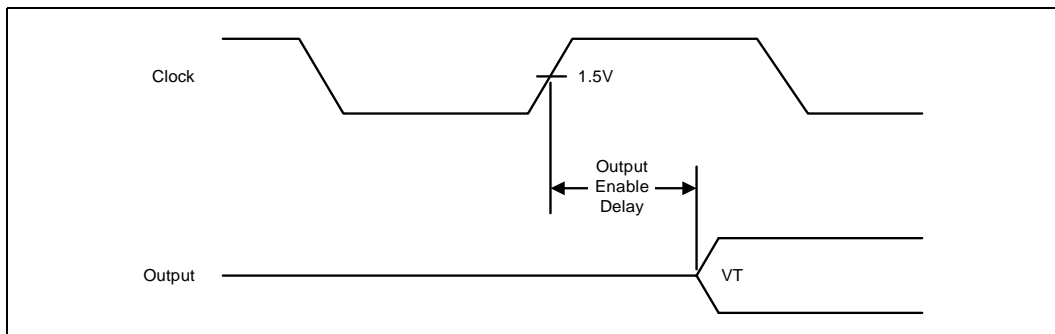




Figure 23-7. IDE PIO Mode

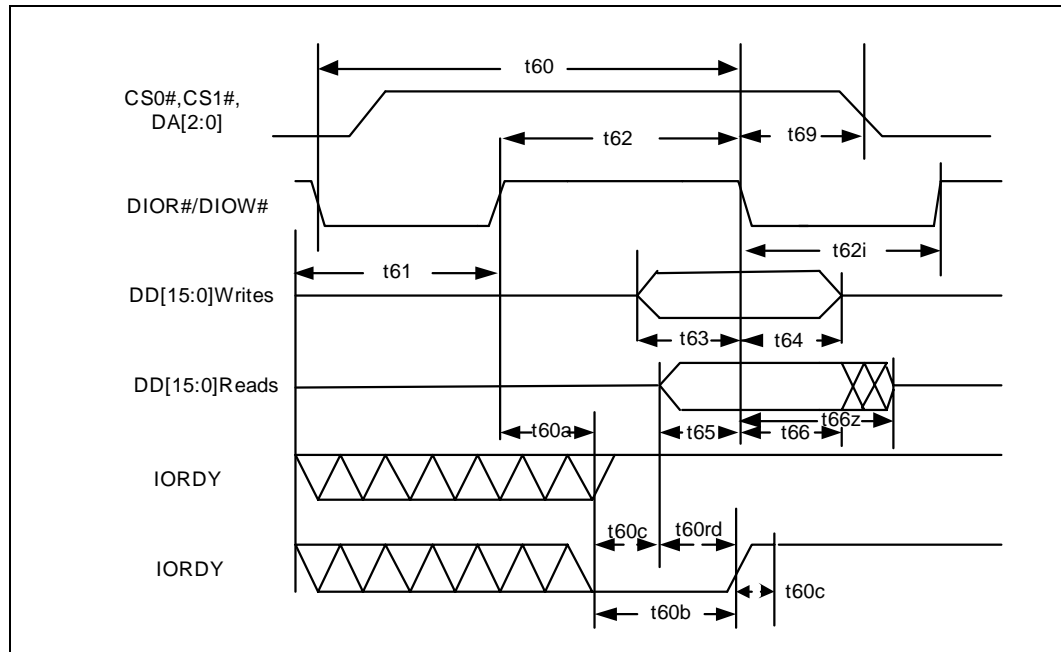


Figure 23-8. IDE Multiword DMA

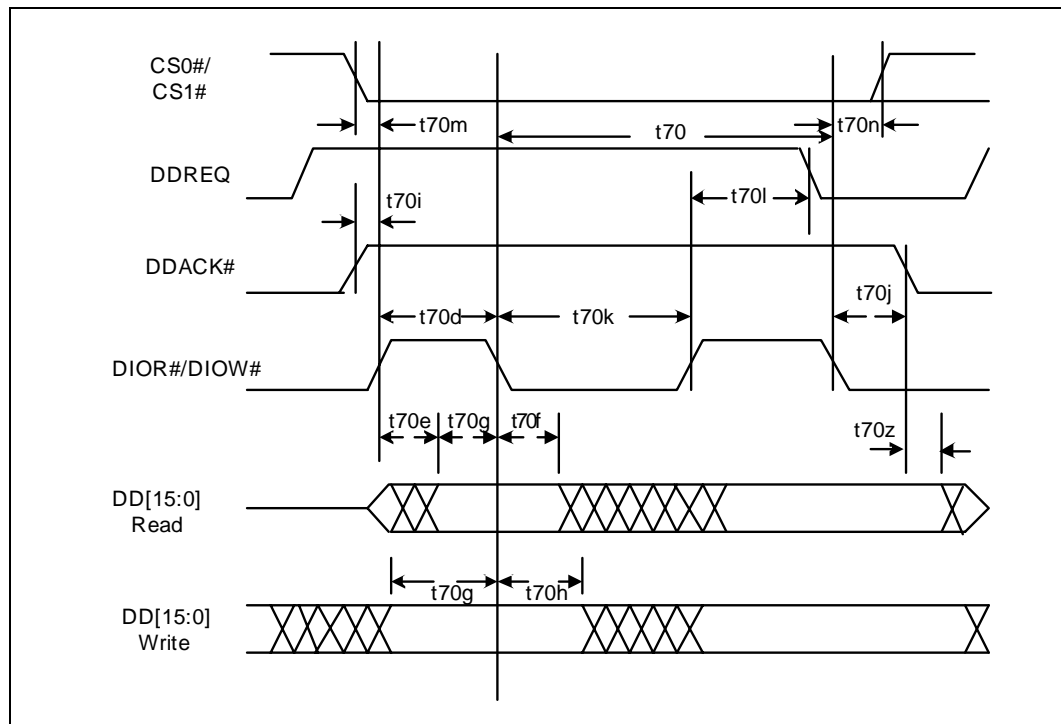


Figure 23-9. Ultra ATA Mode (Drive Initiating a Burst Read)

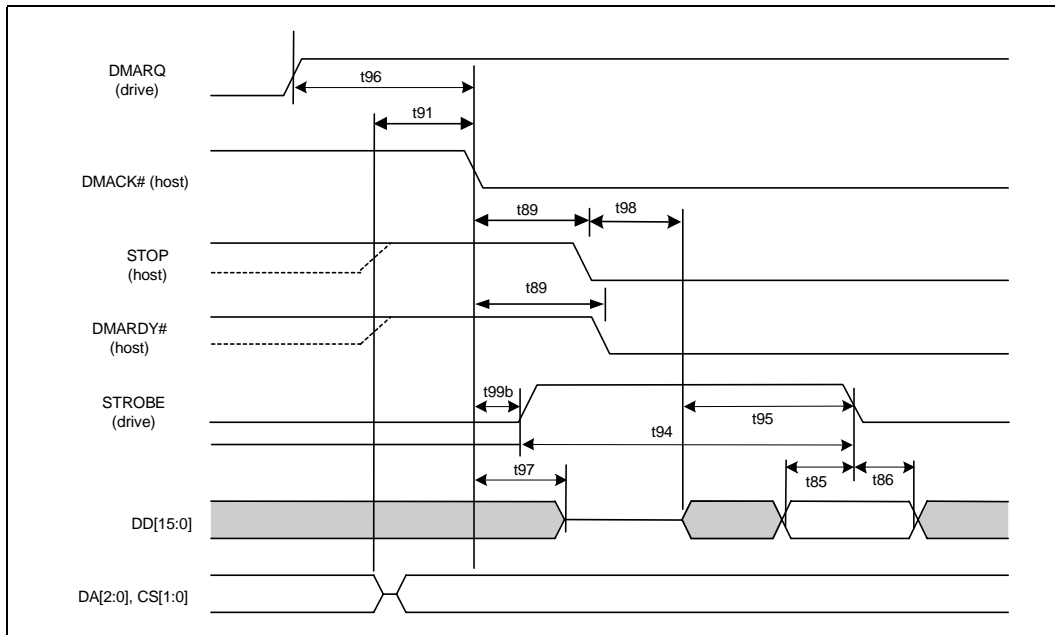
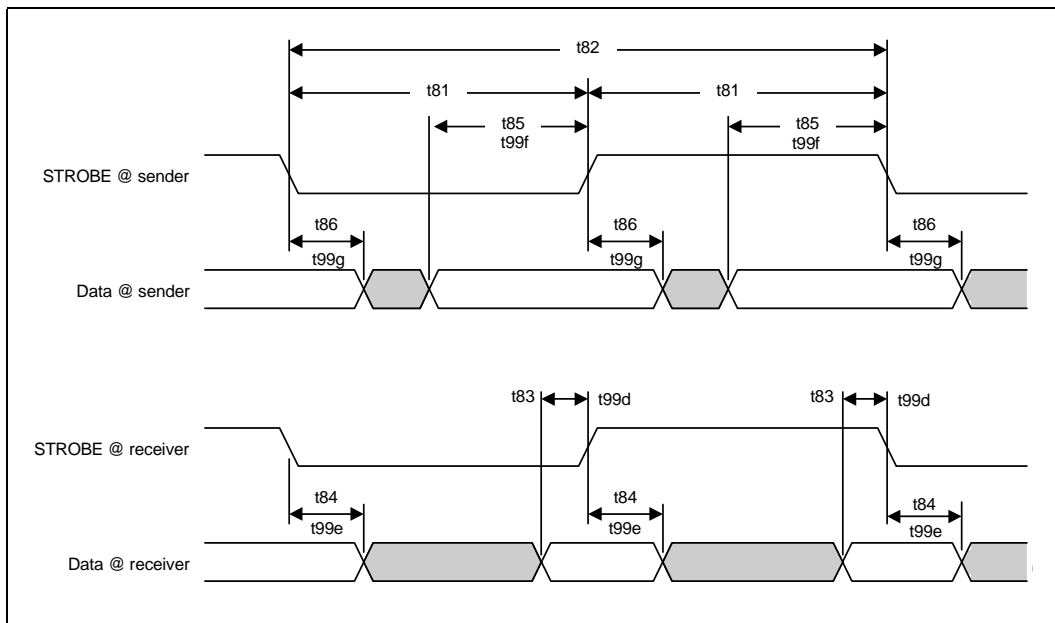


Figure 23-10. Ultra ATA Mode (Sustained Burst)



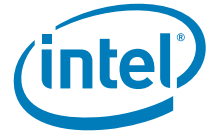


Figure 23-11. Ultra ATA Mode (Pausing a DMA Burst)

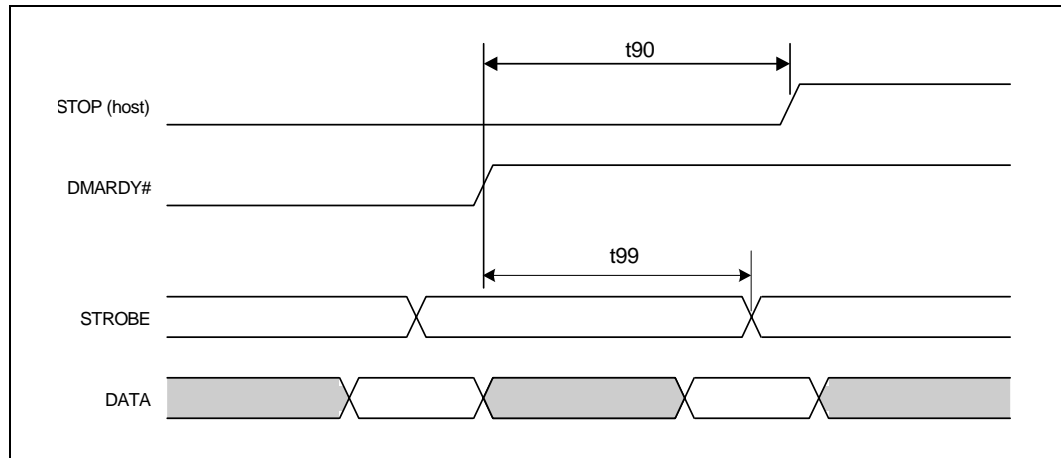


Figure 23-12. Ultra ATA Mode (Terminating a DMA Burst)

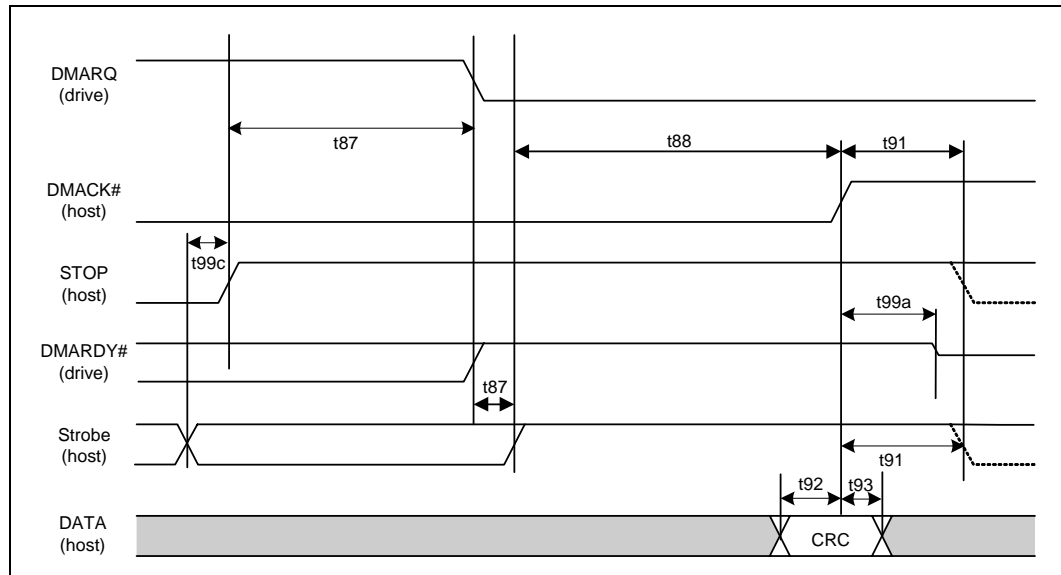


Figure 23-13. USB Rise and Fall Times

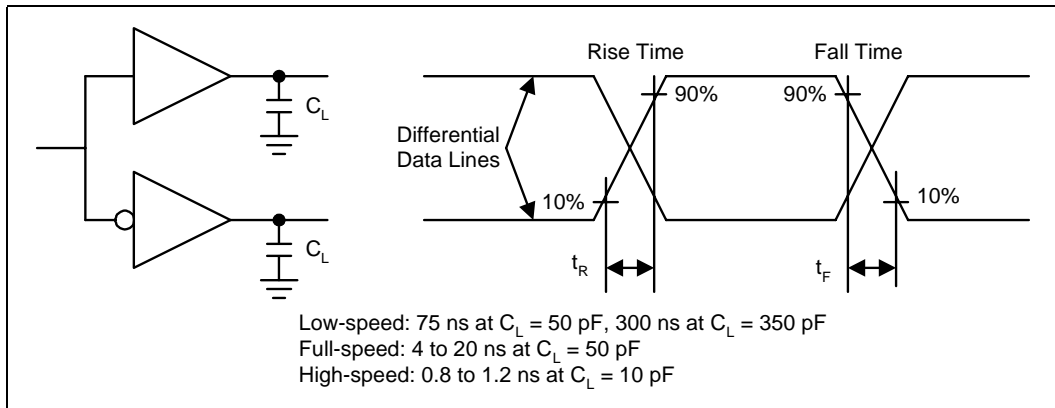


Figure 23-14. USB Jitter

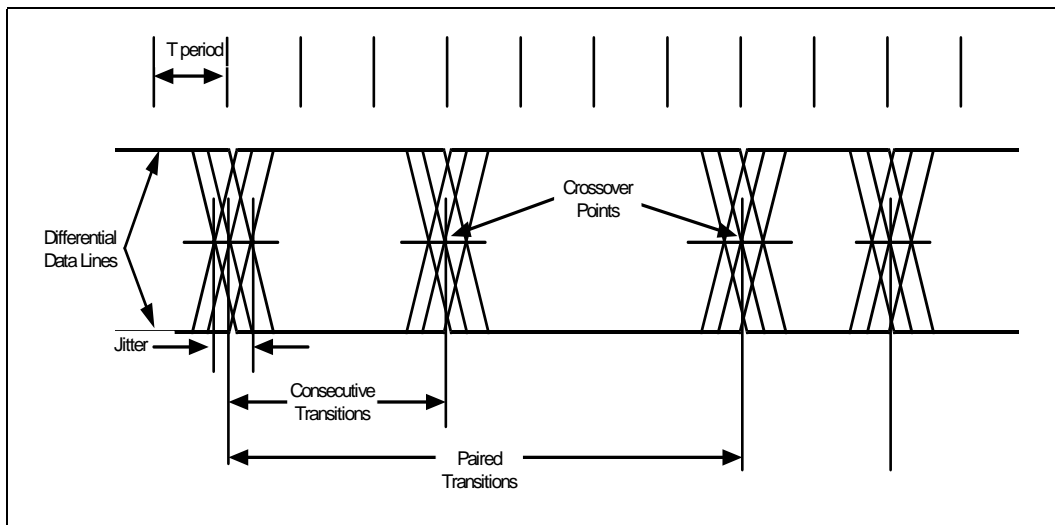


Figure 23-15. USB EOP Width

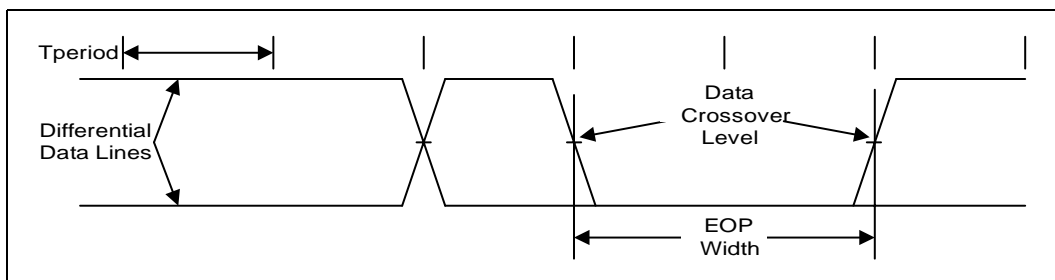




Figure 23-16. SMBus Transaction

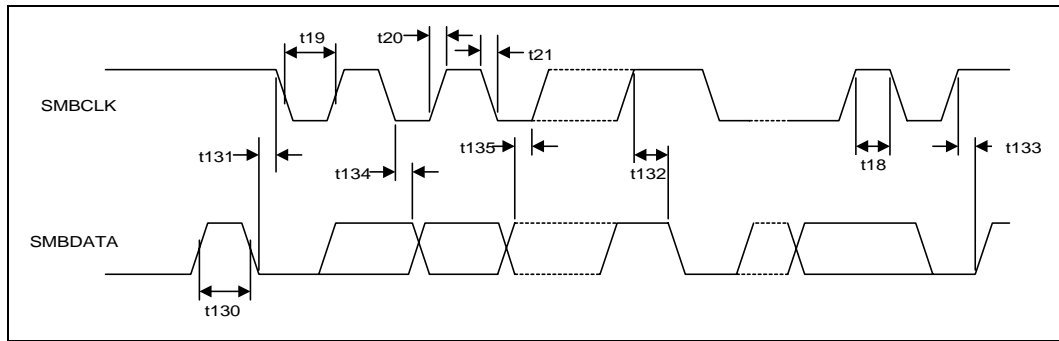


Figure 23-17. SMBus Timeout

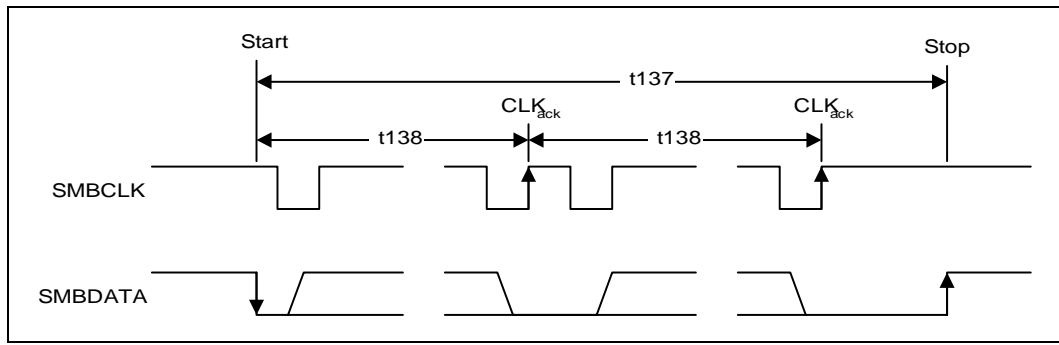
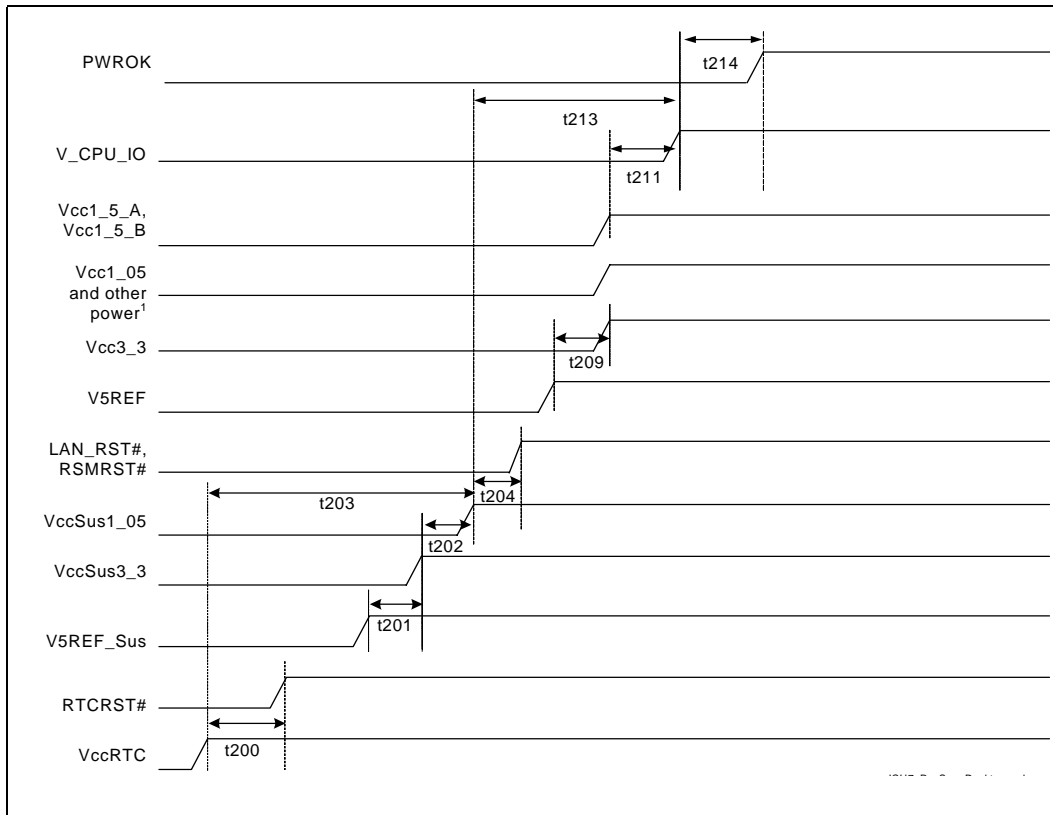


Figure 23-18. Power Sequencing and Reset Signal Timings (Desktop Only)



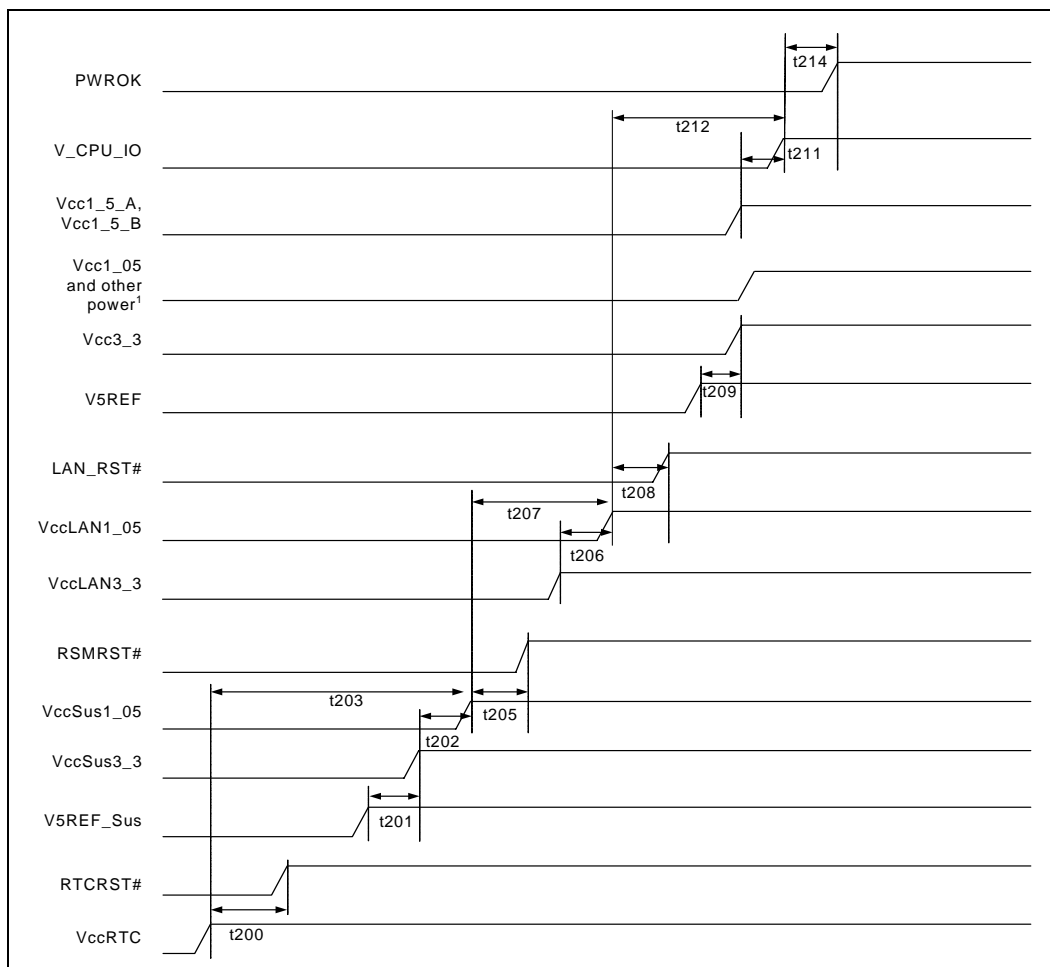
**NOTES:**

1. Other power includes VccUSBPLL, VccDMIPLL, and VccSATAPLL. All of these power signals must independently meet the timings shown in the figure. There are no timing interdependencies between Vcc1\_05 and these other power signals. There are also no timing interdependencies for these power signals, including Vcc1\_05, to Vcc3\_3 and Vcc1\_5\_A/Vcc1\_5\_B. However, If Vcc3\_3 (core well buffer) is powered before Vcc1\_05 (core well logic), core well signal states are indeterminate, undefined, and may glitch prior to PWROK assertion. Refer to [Section 3.3](#) and [Section 3.4](#) for a list of signals that will be determinate before PWROK.
2. PRWOK must not glitch, even if RSMRST# is low.





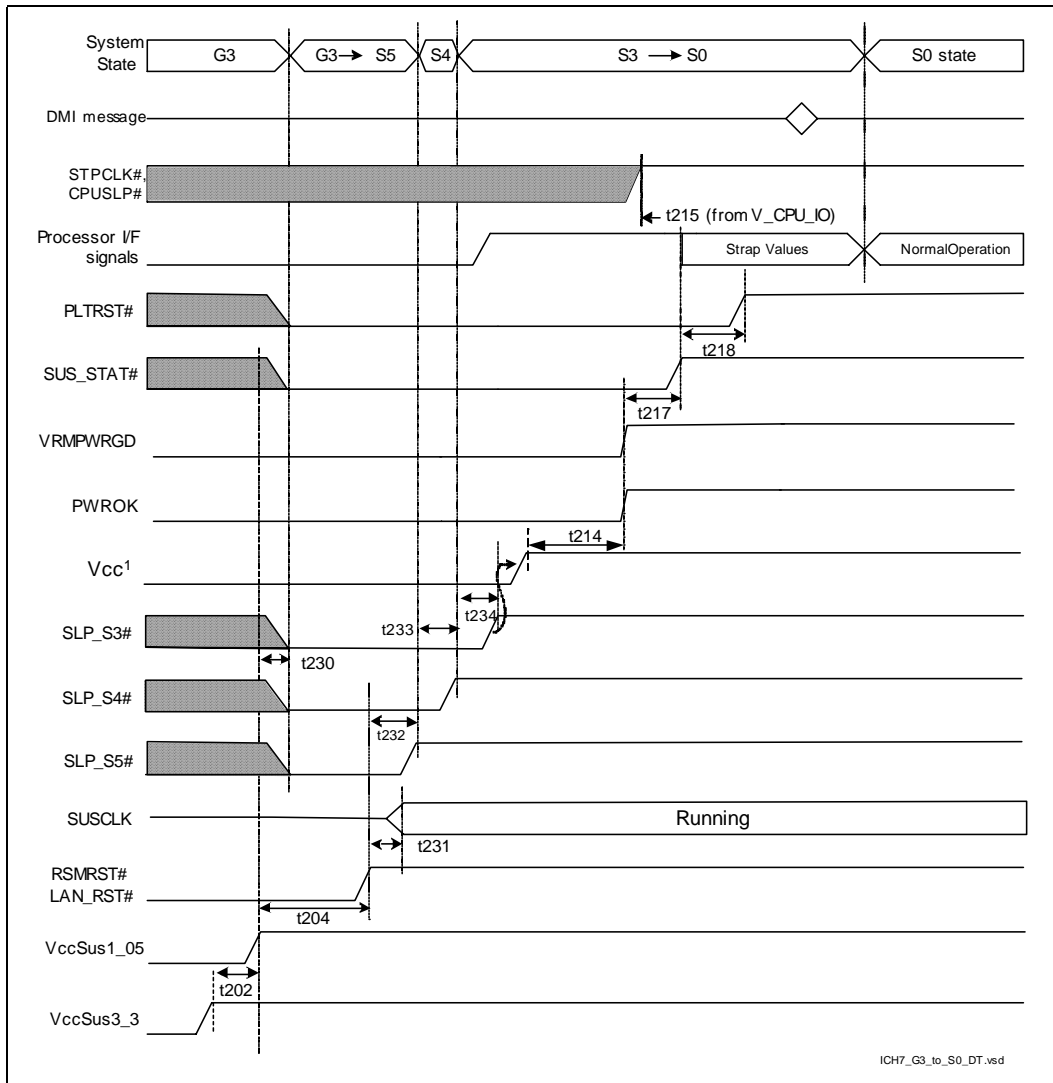
Figure 23-19. Power Sequencing and Reset Signal Timings (Mobile/Ultra Mobile Only)



**NOTES:**

1. Other power includes VccUSBPLL, VccDMIPLL, and VccSATAPLL. All of these power signals must independently meet the timings shown in the figure. There are no timing interdependencies between Vcc1\_05 and these other power signals. There are also no timing interdependencies for these power signals, including Vcc1\_05, to Vcc3\_3 and Vcc1\_5\_A/Vcc1\_5\_B. However, If Vcc3\_3 (core well buffer) is powered before Vcc1\_05 (core well logic), core well signal states are indeterminate, undefined, and may glitch prior to PWROK assertion. Refer to [Section 3.3](#) and [Section 3.4](#) for a list of signals that will be determinate before PWROK.

Figure 23-20. G3 (Mechanical Off) to S0 Timings (Desktop Only)

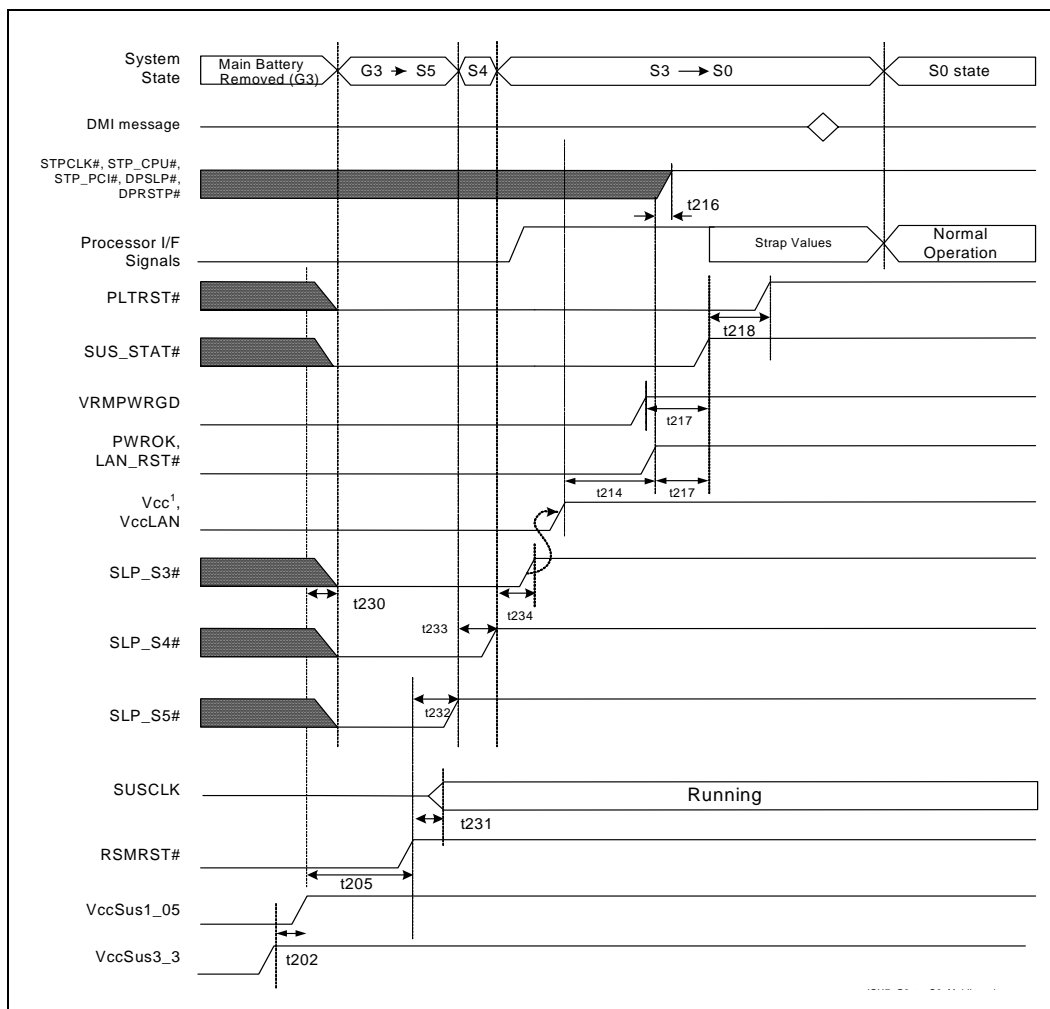


**NOTES:**

1. Vcc includes Vcc1\_5\_A, Vcc1\_5\_B, Vcc3\_3, Vcc1\_05, VccUSBPLL, VccDMIPLL, VccSATAPLL, and V5REF.



Figure 23-21. G3 (Mechanical Off) to S0 Timings (Mobile/Ultra Mobile Only)



**NOTES:**

1. Vcc includes Vcc1\_5\_A, Vcc1\_5\_B, Vcc3\_3, Vcc1\_05, VccUSBPLL, VccDMIPLL, VccSATAPLL, and V5REF.

Figure 23-22. S0 to S1 to S0 Timing (Desktop Only)

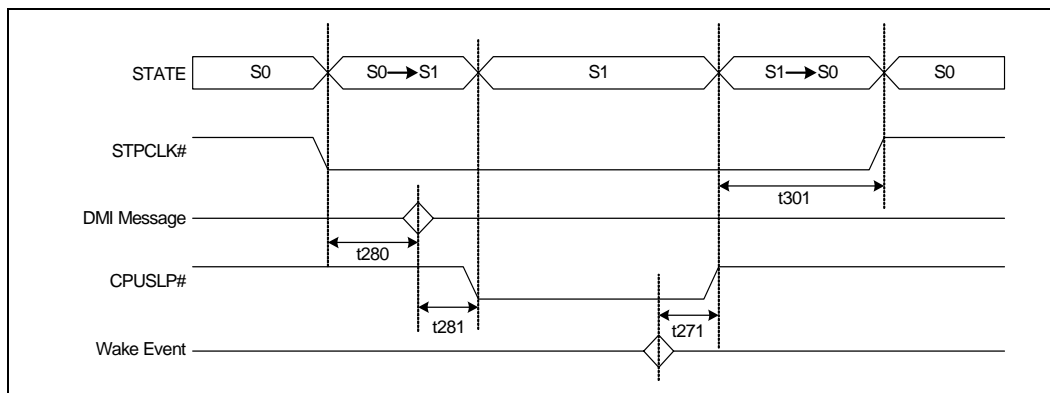
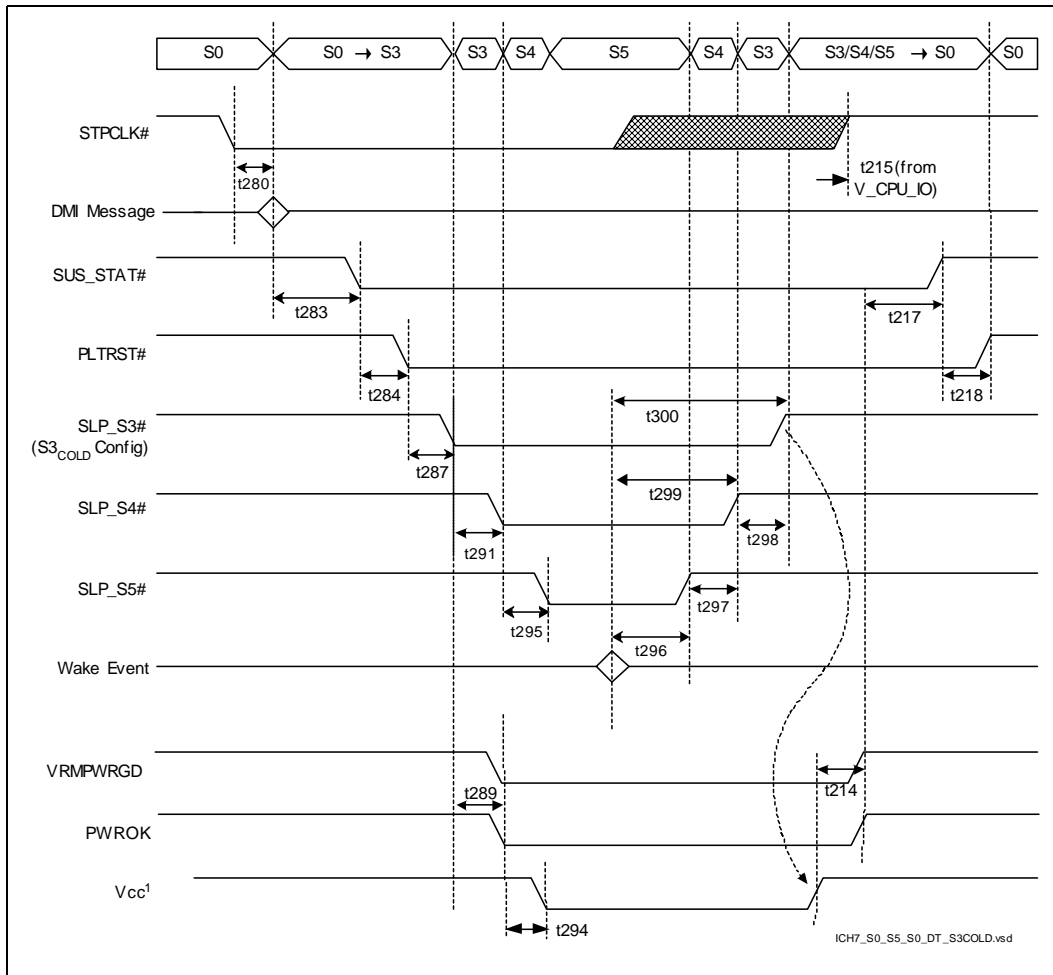


Figure 23-23. S0 to S5 to S0 Timings, S3<sub>COLD</sub> (Desktop Only)

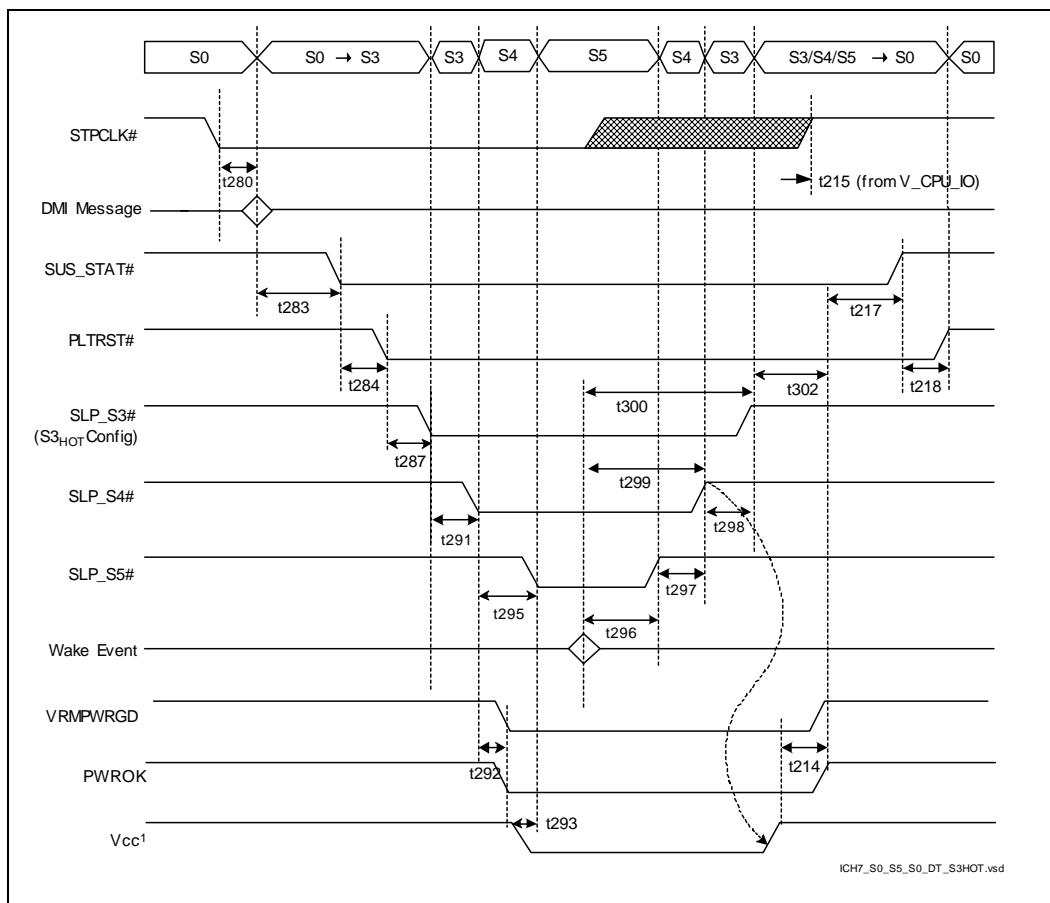


**NOTES:**

1. Vcc includes Vcc1\_5\_A, Vcc 1\_5\_B, Vcc3\_3, Vcc1\_05, VccUSBPLL, VccDMIPLL, VccSATAPLL, and V5REF.
2. t294 is applicable when the system transitions from S0 to G3 only.



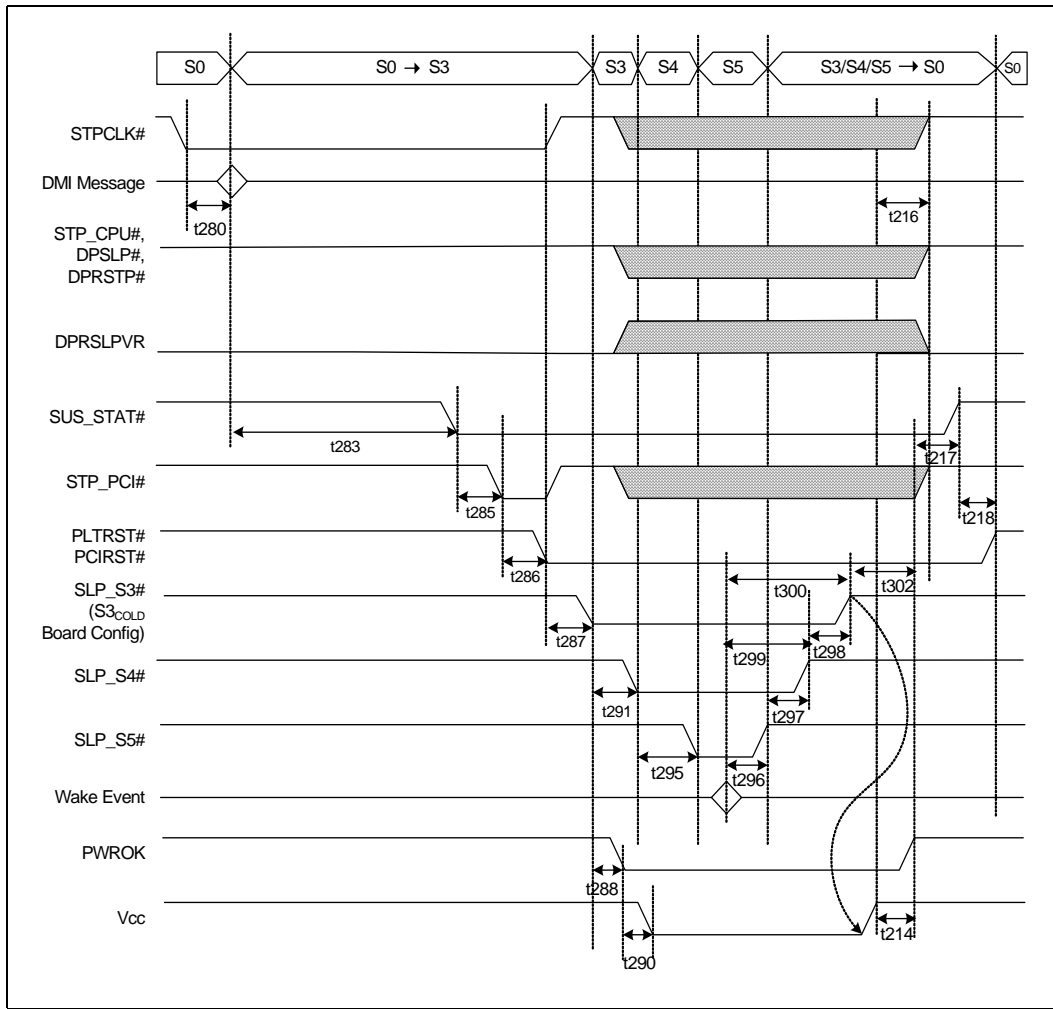
Figure 23-24. S0 to S5 to S0 Timings, S3<sub>HOT</sub> (Desktop Only)



**NOTES:**

1. Vcc includes Vcc1\_5\_A, Vcc1\_5\_B, Vcc3\_3, Vcc1\_05, VccUSBPLL, VccDMIPLL, VccSATAPLL, and V5REF.
2. t293 is applicable when the system transitions from S0 to G3 only.

Figure 23-25. S0 to S5 to S0 Timings, S3<sub>COLD</sub> (Mobile/Ultra Mobile Only)

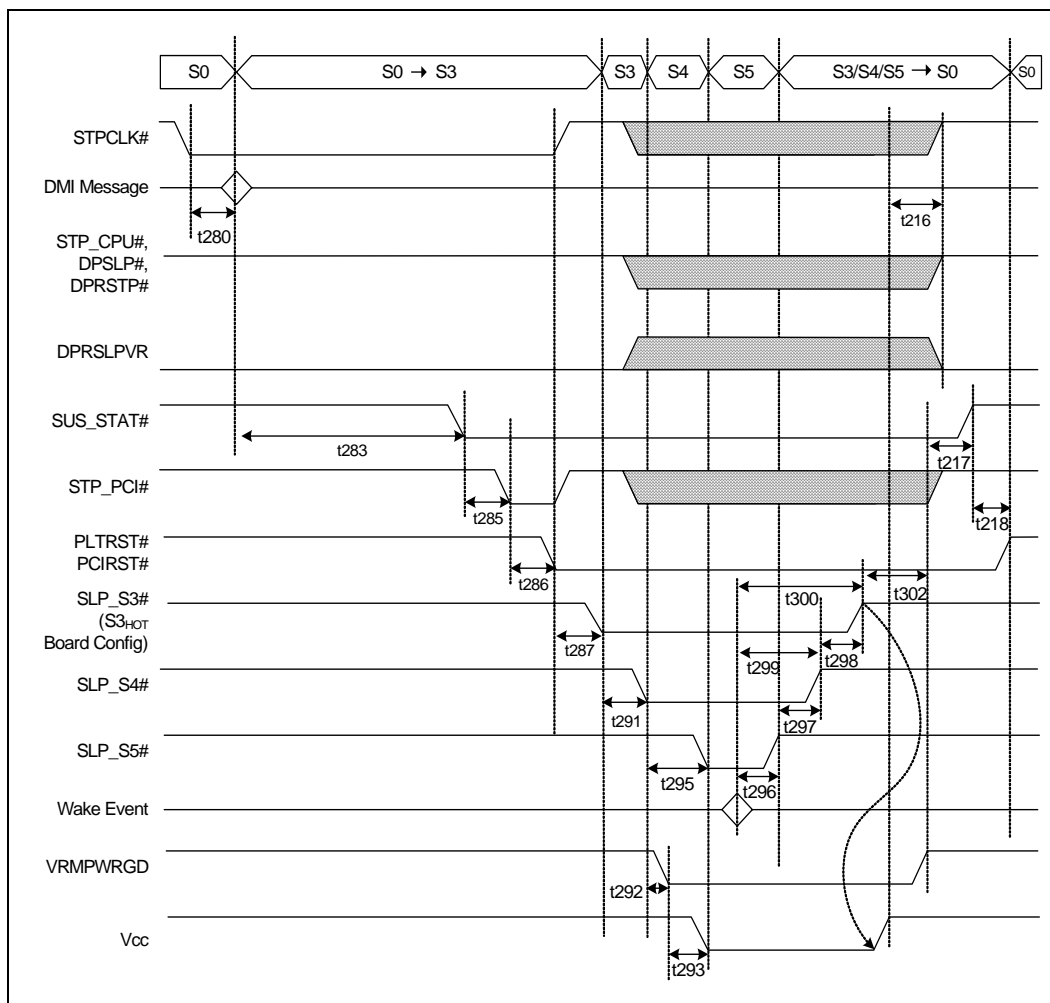


**NOTES:**

1. t290 is applicable when the system transitions from S0 to G3 only.
2. Vcc includes Vcc1\_5\_A, Vcc1\_5\_B, Vcc3\_3, Vcc1\_05, VccUSBPLL, VccDMIPLL, VccSATAPLL, and V5REF.



Figure 23-26. S0 to S5 to S0 Timings, S3<sub>HOT</sub> (Mobile/Ultra Mobile Only)



**NOTES:**

1. t293 is applicable when the system transitions from S0 to G3 only.
2. Vcc includes Vcc1\_5\_A, Vcc1\_5\_B, Vcc3\_3, Vcc1\_05, VccUSBPLL, VccDMIPLL, VccSATAPLL, and V5REF.

Figure 23-27. C0 to C2 to C0 Timings (Mobile/Ultra Mobile Only)

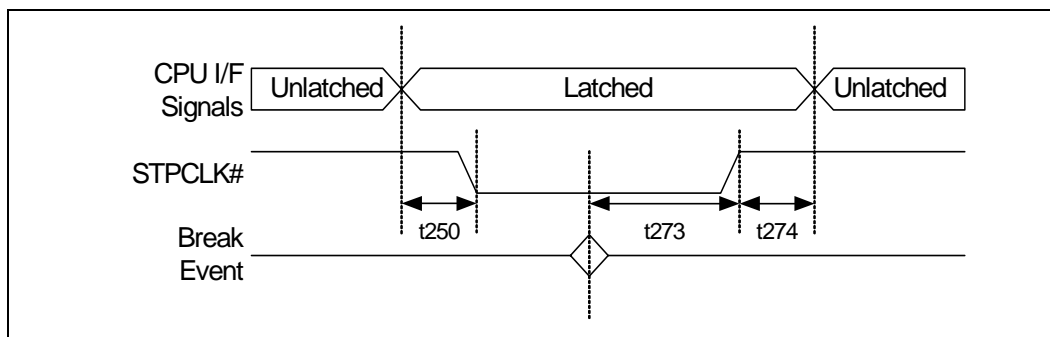


Figure 23-28. C0 to C3 to C0 Timings (Mobile/Ultra Mobile Only)

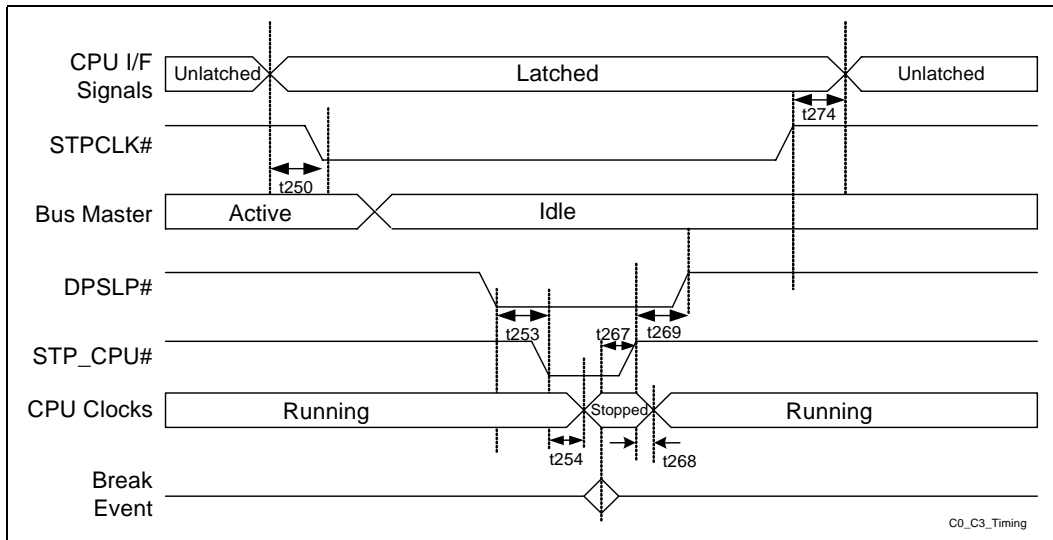
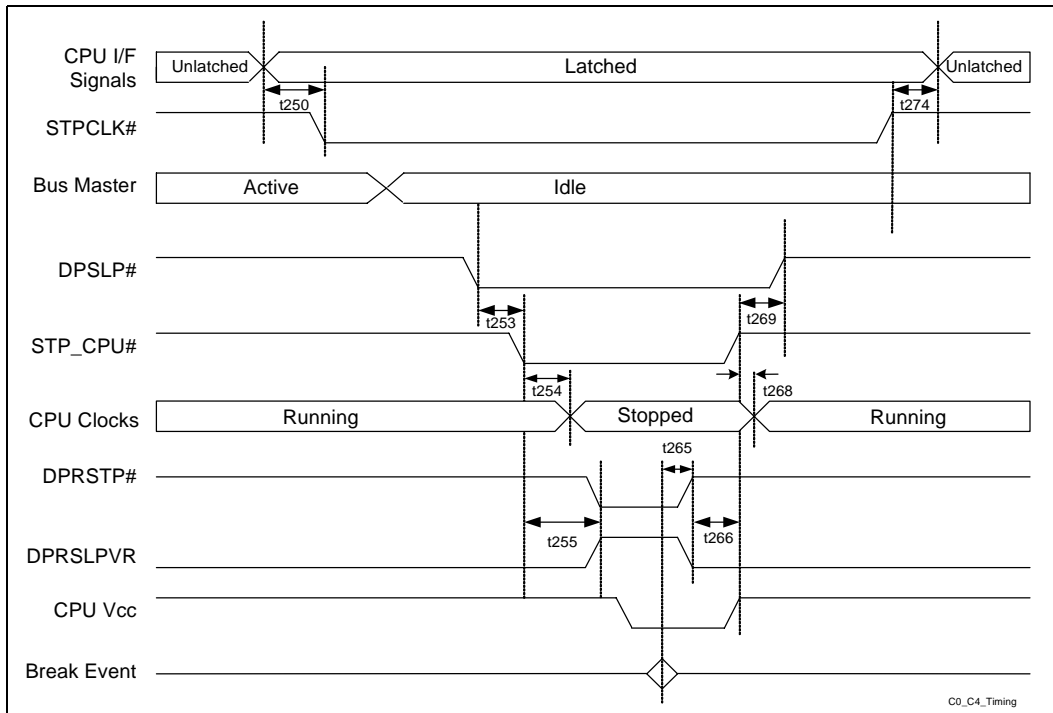


Figure 23-29. C0 to C4 to C0 Timings (Mobile/Ultra Mobile Only)





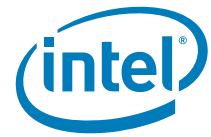


Figure 23-30. AC '97 Data Input and Output Timings (Desktop and Mobile Only)

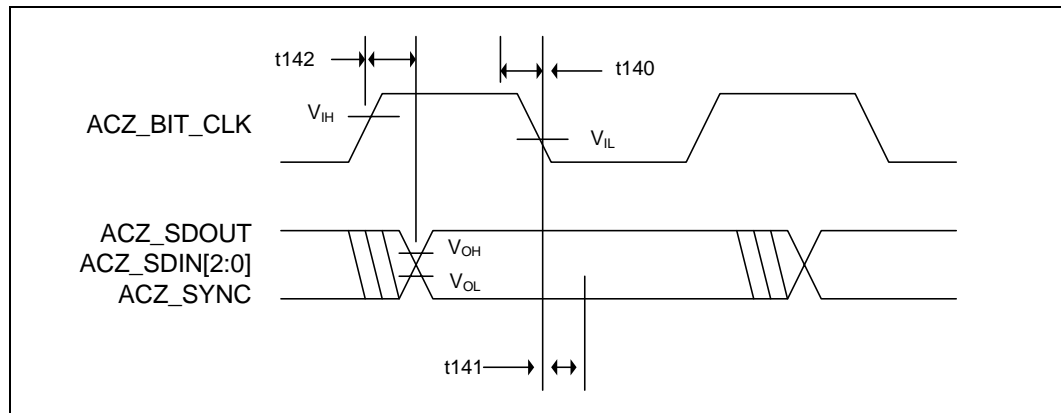


Figure 23-31. Intel® High Definition Audio Input and Output Timings

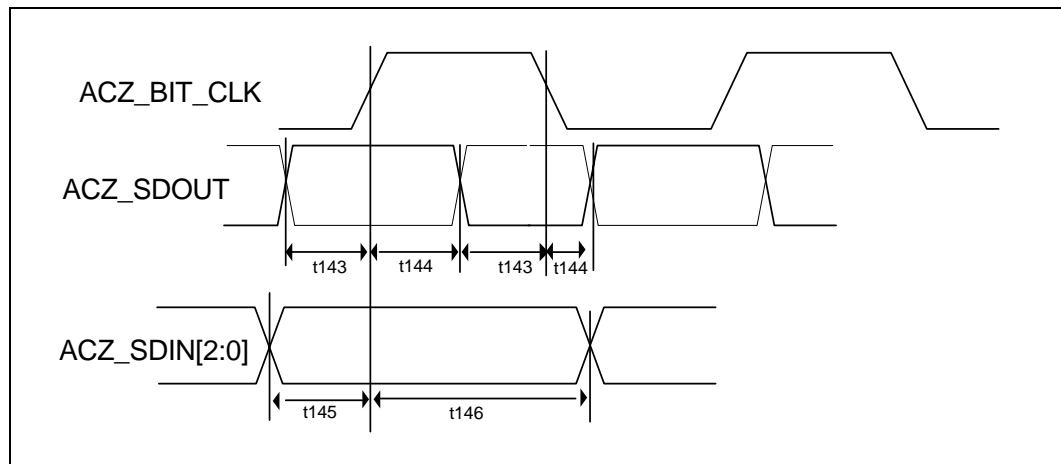
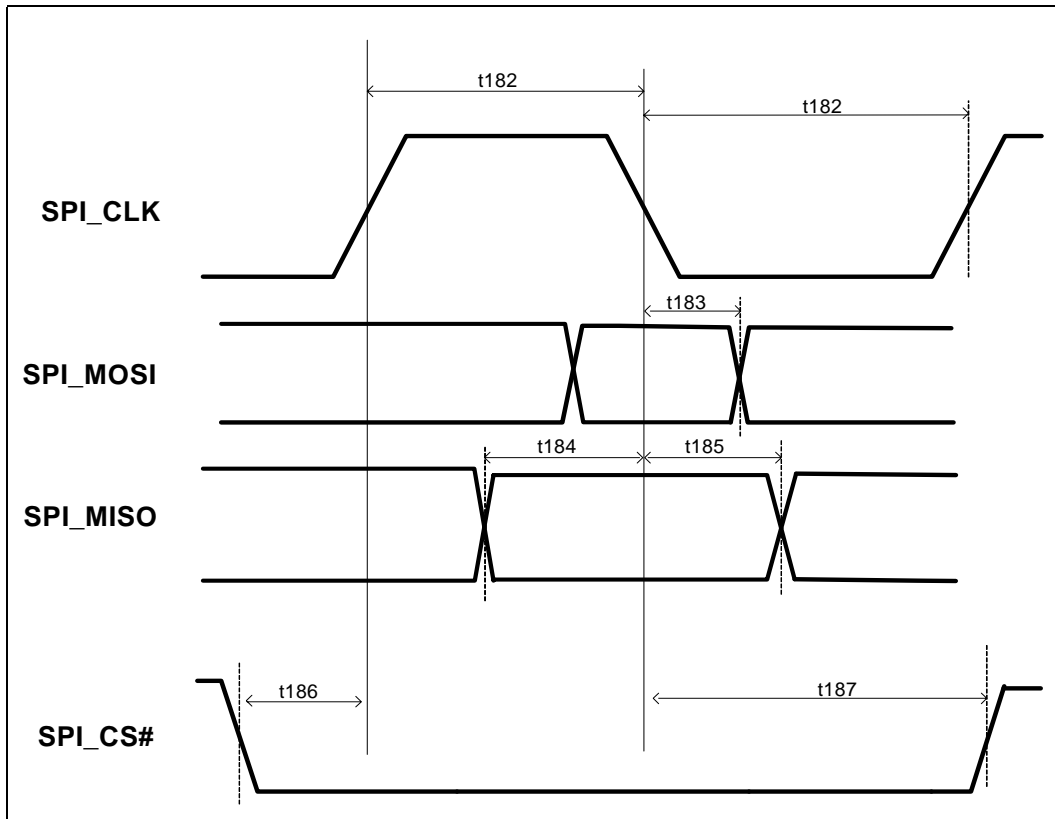


Figure 23-32. SPI Timings (Desktop and Mobile Only)



§



# 24 Package Information

## 24.1 Desktop and Mobile Package Information

The ICH7 package information is shown in Figure 24-1, Figure 24-2, and Figure 24-3.

**Note:** All dimensions, unless otherwise specified, are in millimeters

Figure 24-1. Intel® ICH7 Package (Top View)

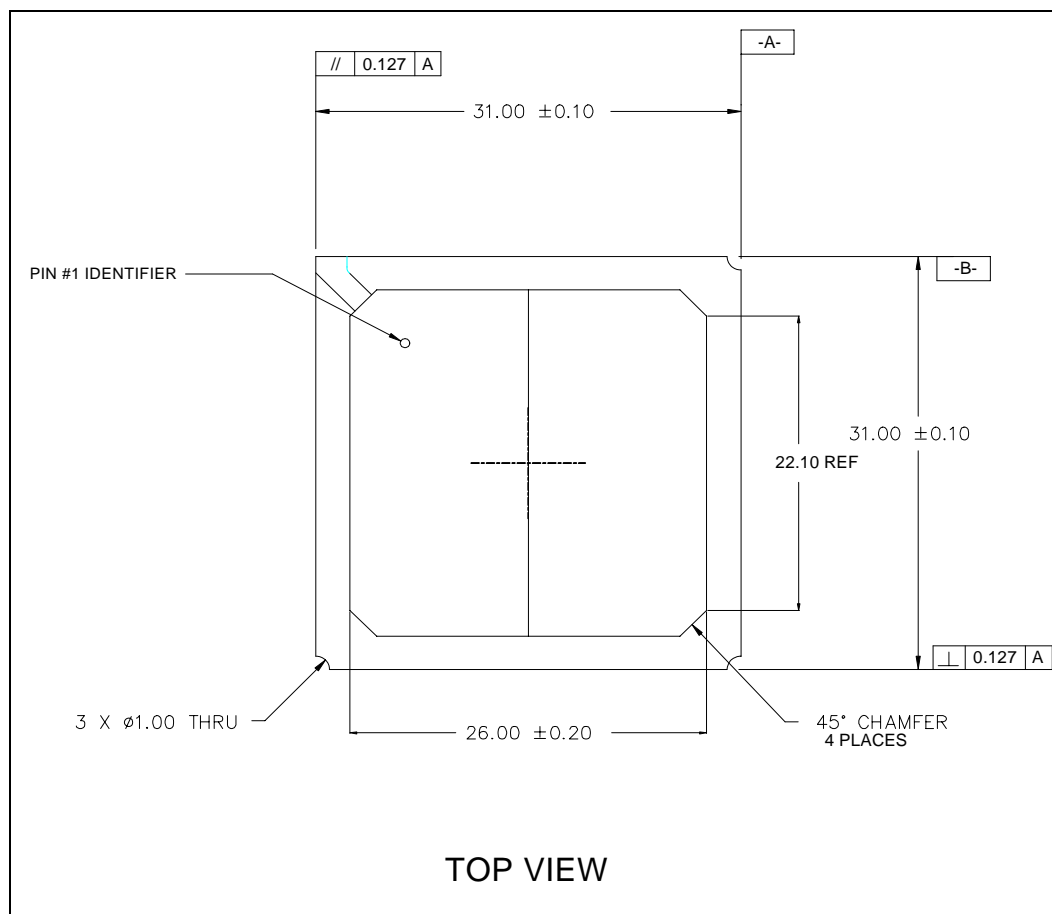


Figure 24-2. Intel® ICH7 Package (Bottom View)

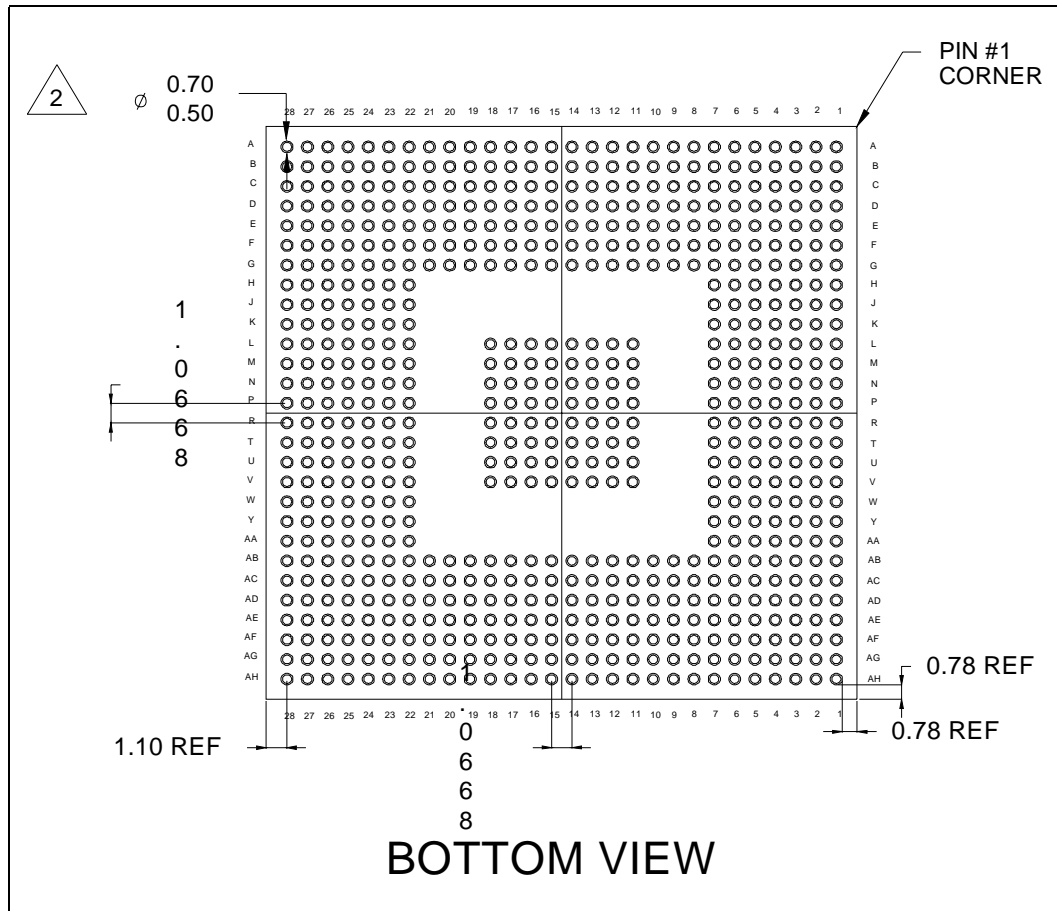
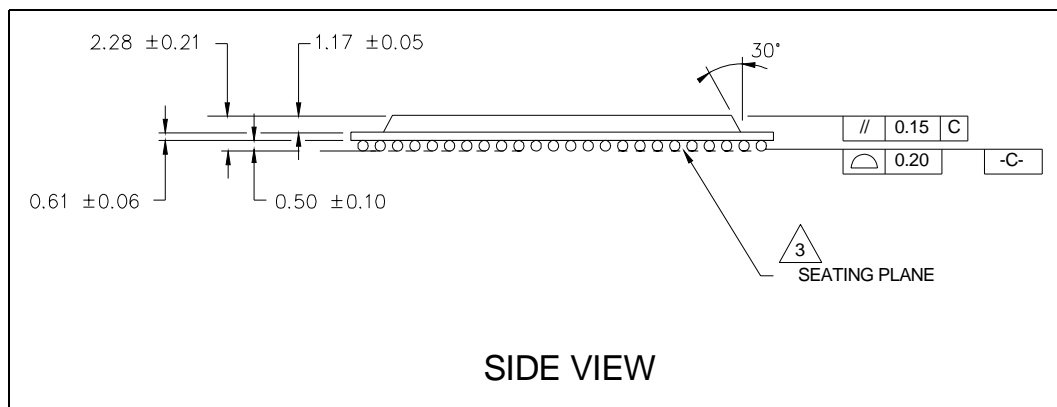


Figure 24-3. Intel® ICH7 Package (Side View)





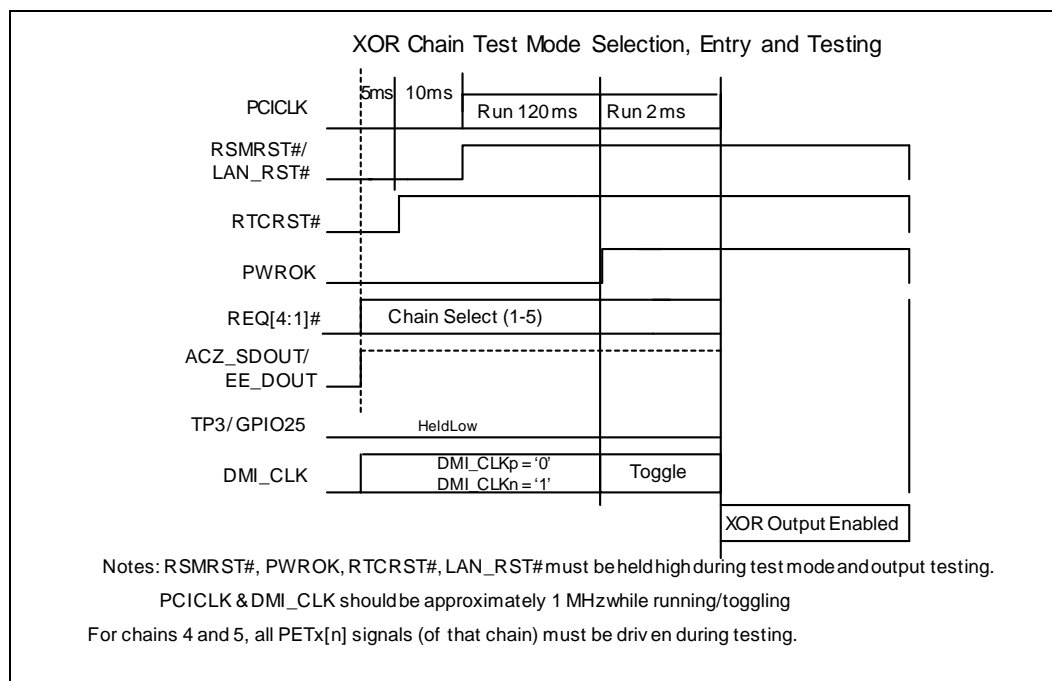




# 25 Testability (Desktop and Mobile Only)

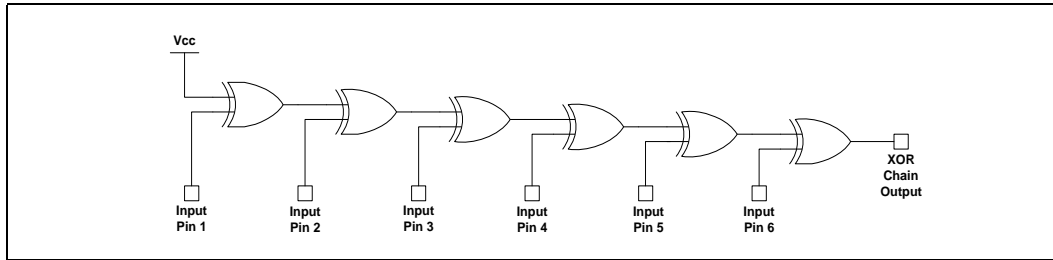
The ICH7 supports XOR Chain test mode. This non-functional test mode is a dedicated test mode when the chip is not operating in its normal manner. The XOR Chain Mode is entered as indicated in Figure 25-1.

Figure 25-1. XOR Chain Test Mode Selection, Entry and Testing



REQ# Settings	XOR Chain
REQ[4:1]# = 0000	XOR 1
REQ[4:1]# = 0001	XOR 2
REQ[4:1]# = 0010	XOR 3
REQ[4:1]# = 0011	XOR 4
REQ[4:1]# = 0100	XOR 5
REQ[4:1]# = 0111	ALL-Z

Figure 25-2. Example XOR Chain Circuitry



### XOR Chain Testability Algorithm Example

XOR chain testing allows motherboard manufacturers to check component connectivity (e.g., opens and shorts to  $V_{CC}$  or GND). An example algorithm to do this is shown in Table 25-1.

Table 25-1. XOR Test Pattern Example

Vector	Input Pin 1	Input Pin 2	Input Pin 3	Input Pin 4	Input Pin 5	Input Pin 6	XOR Output
1	0	0	0	0	0	0	1
2	1	0	0	0	0	0	0
3	1	1	0	0	0	0	1
4	1	1	1	0	0	0	0
5	1	1	1	1	0	0	1
6	1	1	1	1	1	0	0
7	1	1	1	1	1	1	1

In this example, Vector 1 applies all 0s to the chain inputs. The outputs being non-inverting will consistently produce a 1 at the XOR output on a good board. One short to  $V_{CC}$  (or open floating to  $V_{CC}$ ) will result in a 0 at the chain output, signaling a defect.

Likewise, applying Vector 7 (all 1s) to the chain inputs (given that there are an even number of input signals in the chain), will consistently produce a 1 at the XOR chain output on a good board. One short to  $V_{SS}$  (or open floating to  $V_{SS}$ ) will result in a 0 at the chain output, signaling a defect. It is important to note that the number of inputs pulled to 1 will affect the expected chain output value. If the number of chain inputs pulled to 1 is even, then expect 1 at the output. If the number of chain inputs pulled to 1 is odd, expect 0 at the output.

Continuing with the example in Table 25-1, as the input pins are driven to 1 across the chain in sequence, the XOR Output will toggle between 0 and 1. Any break in the toggling sequence (e.g., "1011") will identify the location of the short or open.





## 25.1 XOR Chain Tables

Table 25-2. XOR Chain 1 (REQ[4:1]# = 0000)

Pin Name	Ball #	Notes	Pin Name	Ball #	Notes
ACZ_SYNC	R6	Top of XOR Chain	AD16	E12	30 <sup>th</sup> signal in XOR
ACZ_SDOUT	T4		GNT3#	F13	
ACZ_BIT_CLK	U1		TRDY#	F14	
GPIO0 (Desktop Only) / BM_BUSY# (Mobile Only)	AB18		AD18	D11	
GPIO16 (Desktop Only) / DPRSLPVR (Mobile Only)	AC22		AD26	A8	
AD0	E18		GPIO1/REQ5#	C8	
AD3	F18		AD24	D9	
AD1	C18		AD15	G13	
AD5	A18		PAR	E10	
REQ[2]#	C17		AD22	F10	
GNT[2]#	D17		AD28	C7	
AD6	E17		GPIO17/GNT5#	D8	
AD2	A16		PIRQD#	B5	
REQ[1]#	C16		GNT0#	E7	
GNT[1]#	D16		REQ[0]#	D7	
C/BE0#	B15		PIRQB#	B4	
AD4	E16		GPIO4/PIROG#	F8	
GNT[4]#/GPIO48	A14		PIROC#	C5	
FRAME#	F16		PIRQA#	A3	
AD9	C14		GPIO2/PIRQE#	G8	
STOP#	F15		AD30	E6	
REQ[4]#/GPIO22	A13		GPIO3/PIROF#	F7	
AD13	C13		GPIO5/PIROH#	G7	
AD11	D14		ACZ_SDIN2	T1	
AD10	E14		ACZ_SDIN0	T2	
C/BE1#	C12		ACZ_SDIN1	T3	
REQ3#	E13		ACZ_RST#	R5	
AD20	A10				
SERR#	B10				
			TPO (Desktop Only) / BATLOW# (Mobile Only)	C21	XOR Chain 1 OUTPUT



Table 25-3. XOR Chain 2 (REQ[4:1]# = 0001)

Pin Name	Ball #	Notes
AD7	A17	Top of XOR Chain
AD8	A15	2nd signal in XOR
C/BE3#	C15	
DEVSEL#	A12	
AD14	G15	
AD12	B12	
AD19	A11	
C/BE2#	D12	
PCICLK	A9	
AD17	C11	
AD25	B9	
PLOCK#	E11	
PERR#	C9	
IRDY#	A7	
AD21	F11	
AD27	A6	
AD23	E9	
AD29	B6	
AD31	D6	
GPIO34/ AZ_DOCK_RST# (Mobile Only)	U2	
LFRAME#	AB3	
LAD3	Y6	
LAD0	AA6	
LAD1	AB5	

Pin Name	Ball #	Notes
SATA0RXP	AE3	27th signal in XOR
SATA0RXN	AF3	
SATA0TXN	AG2	
SATA0TXP	AH2	
SATA1RXP (Desktop Only) Reserved (Mobile Only)	AD5	
SATA1RXN (Desktop Only) Reserved (Mobile Only)	AE5	
SATA1TXN (Desktop Only) Reserved (Mobile Only)	AG4	
SATA1TXP (Desktop Only) Reserved (Mobile Only)	AH4	
SATARBIAS	AG10	
SATARBIAS#	AH10	
GPIO7	AC18	
GPIO33/ AZ_DOCK_EN# (Mobile Only)	AC19	
GPIO32/ (Desktop Only) / CLKRUN# (Mobile Only)	AG18	
GPIO21/SATA0GP	AF19	
MCH_SYNC#	AH20	
THRM#	AF20	
GPIO39	AE20	
GPIO38	AD20	
GPIO6	AC21	
GPIO35/ SATACLKREQ#	AD21	
PLTRST#	C26	
RI#	A28	
TP3	F21	
PWRBTN#	C23	



**Table 25-3. XOR Chain 2 (REQ[4:1]# = 0001) (Continued)**

Pin Name	Ball #	Notes
LAD2	AC4	
LDRQ0#	AC3	

Pin Name	Ball #	Notes
GPIO8	E21	
TPO/BATLOW#	C21	
EL_RSVD (Digital Home Only) / GPIO26	A21	
GPIO2/PIRQE#	G8	XOR Chain 2 OUTPUT

**Table 25-4. XOR Chain 3 (REQ[4:1]# = 0010)**

Pin Name	Ball #	Notes
INTVRMEN	W4	Top of XOR Chain
INTRUDER#	Y5	2nd signal in XOR
DD6	AD12	
DD10	AB13	
DD8	AE12	
DD7	AC12	
DD9	AF12	
DD3	AF13	
DD2	AG13	
DD5	AC13	
DD13	AH13	
DD14	AH14	
DD4	AD14	
DD11	AC14	
DD1	AE14	
DD12	AF14	
DIOR#	AF15	
DDREQ	AE15	

Pin Name	Ball #	Notes
DCS3#	AD16	26th signal in XOR
DA0	AH17	
DA2	AF17	
DA1	AE17	
GPIO19/SATA1GP	AH18	
INIT3_3V#	AG21	
GPIO18 (Desktop Only) / STP_PCI# (Mobile Only)	AC20	
GPIO20 (Desktop Only) / STP_CPU# (Mobile Only)	AF21	
VRMPWRGD	AD22	
RCIN#	AG23	
A20GATE	AE22	
INIT#	AF22	
NMI	AH24	
GPIO49/ CPUPRWRGD	AG24	
TP1 (Desktop Only) / DPRSTP# (Mobile Only)	AF24	
TP2 (Desktop Only) / DPSLP# (Mobile Only)	AH25	
INTR	AF25	
THRMTRIP#	AF26	



Table 25-4. XOR Chain 3 (REQ[4:1]# = 0010) (Continued)

Pin Name	Ball #	Notes	Pin Name	Ball #	Notes
DD15	AC15		CPUSLP#	AG27	
DIOW#	AH15		STPCLK#	AH22	
DD0	AB15		A20M#	AH28	
IDEIRQ	AH16		SPKR	A19	
IORDY	AG16		OC4#	E5	
DDACK#	AF16		SPI_MISO	P2	
			SPI_ARB	P1	
			SPI_MOSI	P5	
			SPI_CS#	P6	
			SPI_CLK	R2	
DCS1#	AE16		RI#	A28	XOR Chain 3 OUTPUT

Table 25-5. XOR Chain 4-1 (REQ[4:1]# = 0011)

Pin Name	Ball #	Notes	Pin Name	Ball #	Notes
DMI3RXP	AD24	Top of XOR Chain	SMLINK0	B25	23rd signal in XOR
DMI3RXN	AD25	2nd signal in XOR	SMLINK1	A25	
DMI3TXP	AC27		EL_STATE1 (Digital Home Only) / GPIO28	E23	
DMI3TXN	AC28		SLP_S3#	B24	
DMI2RXP	AB25		SLP_S4#	D23	
DMI2RXN	AB26		SLP_S5#	F22	
DMI2TXP	AA27		GPIO15	E22	
DMI2TXN	AA28		SMBALERT#/GPIO11	B23	
PERp6 / Reserved (intel® ICH7 Base)	T24	Must be driven for all skus including ICH7 Base	SMBCLK	C22	
PERn6 / Reserved (intel® ICH7 Base)	T25	Must be driven for all skus including ICH7 Base	GPIO25	D20	
PETp6 / Reserved (intel® ICH7 Base)	R27	Must be driven for all skus including ICH7 Base	WAKE#	F20	



**Table 25-5. XOR Chain 4-1 (REQ[4:1]# = 0011) (Continued)**

Pin Name	Ball #	Notes	Pin Name	Ball #	Notes
PETn6 / Reserved (intel® ICH7 Base)	R28	Must be driven for all skus including ICH7 Base	GPIO9	E20	
PERp4	M25		SMBDATA	B22	
PERn4	M26		GPIO13	E19	
PETp4	L27		SYS_RST#	A22	
PETn4	L28		SUSCLK	C20	
PERp3	K25		EL_STATE0 (Digital Home Only) / GPIO27	B21	
PERn3	K26		GPIO12	F19	
PETp3	J27		GPIO10	A20	
PETn3	J28		PME#	B19	
LINKALERT#	A26		PCIRST#	B18	
SUS_STAT#	A27		GPIO8	E21	XOR Chain 4-1 OUTPUT

**Table 25-6. XOR Chain 4-2 (REQ[4:1]# = 0011)**

Pin Name	Ball #	Notes	Pin Name	Ball #	Notes
OC6#/GPIO30	A2	Top of XOR Chain	LAN_CLK	V3	30th signal in XOR
OC7#/GPIO31	B3	2nd signal in XOR	LAN_RXD0	U5	
OC2#	D5		LAN_TXD0	U7	
OC1#	C4		LAN_RXD1	V4	
OC3#	D4		EE_SHCLK	Y1	
OC0#	D3		EE_DIN	W3	
OC5#/GPIO29	C3		LAN_TXD2	V7	
CLK48	B2		LAN_TXD1	V6	
USBP0N	F1		EE_DOUT	Y2	
USBP0P	F2		CLK14	AC1	
USBP1N	G4		LDRQ1#/GPIO23	AA5	
USBP1P	G3		SATA2RXP	AE7	
USBP2N	H1		SATA2RXN	AF7	
USBP2P	H2		SATA2TXN	AG6	
USBP3N	J4		SATA2/TXP	AH6	
USBP3P	J3		SATA3RXP (Desktop Only) Reserved (Mobile Only)	AE9	



Table 25-6. XOR Chain 4-2 (REQ[4:1]# = 0011) (Continued)

Pin Name	Ball #	Notes	Pin Name	Ball #	Notes
USBP4N	K1		SATA3RXN (Desktop Only) Reserved (Mobile Only)	AD9	
USBP4P	K2		SATA3TXN (Desktop Only) Reserved (Mobile Only)	AG8	
USBP5N	L4		SATA3TXP (Desktop Only) Reserved (Mobile Only)	AH8	
USBP5P	L5		SATALED#	AF18	
USBP6N	M1		GPIO37/SATA3GP	AE19	
USBP6P	M2		GPIO36/SATA2GP	AH19	
USBP7N	N4		SERIRQ	AH21	
USBP7P	N3		SMI#	AF23	
GPIO24	R3		IGNNE#	AG22	
GPIO14	R4		FERR#	AG26	
LAN_RSTSYNC	U3				
LAN_RXD2	T5				
EE_CS	W1		PLTRST#	C26	XOR Chain 4-2 OUTPUT

Table 25-7. XOR Chain 5 (REQ[4:1]# = 0100)

Pin Name	Ball #	Notes	Pin Name	Ball #	Notes
DMI1RXP	Y25	Top of XOR Chain	PETn5 / Reserved (intel® ICH7 Base)	N28	Must be driven for all skus including ICH7 Base
DMI1RXN	Y26	2nd signal in XOR	PERp2	H25	
DMI1TXP	W27		PERn2	H26	
DMI1TXN	W28		PETp2	G27	
DMIORXP	V25		PETn2	G28	
DMIORXN	V26		PERp1	F25	
DMIOTXP	U27		PERn1	F26	
DMIOTXN	U28		PETp1	E27	



Table 25-7. XOR Chain 5 (REQ[4:1]# = 0100) (Continued)

Pin Name	Ball #	Notes	Pin Name	Ball #	Notes
PERp5 / Reserved (intel® ICH7 Base)	P25	Must be driven for all skus including ICH7 Base	PETn1	E28	
PERn5 / Reserved (intel® ICH7 Base)	P26	Must be driven for all skus including ICH7 Base			
PETp5 / Reserved (intel® ICH7 Base)	N27	Must be driven for all skus including ICH7 Baes	GPIO2/PIRQE#	G8	XOR Chain 5 OUTPUT

§ §



*Testability (Desktop and Mobile Only)*