

PLEASE CHECK WWW.MOLEX.COM FOR LATEST PART INFORMATION

Part Number: [0643251091](#)
Status: **Active**
Overview: [cmc connectors](#)
Description: CMC Blind Plug for CP terminal cavity 2.8mm (.110")

Documents:

[Drawing \(PDF\)](#) [RoHS Certificate of Compliance \(PDF\)](#)

General

Product Family	Crimp Housings
Series	64325
Comments	For additional details please refer to Application Tooling Spec of Relevant CMC Connector.
More Detailed Tech Information	Secures sealing system when flexibility is required for unused cavities with standard backplate
Overview	cmc connectors
Product Name	CMC

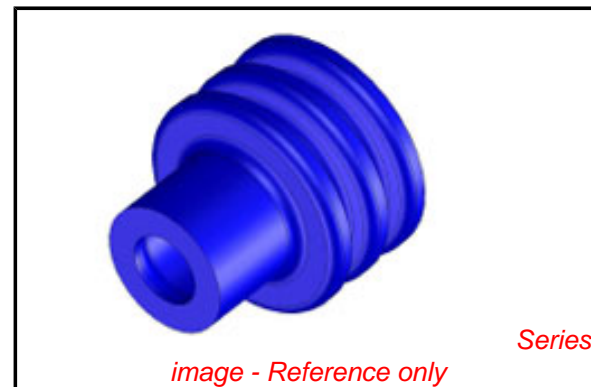
Physical

Circuits (maximum)	0
Circuits Detail	N/A
Color - Resin	Black
Gender	Plug
Glow-Wire Compliant	No
Keying to Mating Part	N/A
Lock to Mating Part	No
Material - Resin	Nylon
Number of Rows	0
Packaging Type	Carton
Panel Mount	No
Pitch - Mating Interface (in)	0.000 In
Pitch - Mating Interface (mm)	0.00 mm
Polarized to Mating Part	N/A
Stackable	No
Temperature Range - Operating	-40°C to +125°C

Material Info

Reference - Drawing Numbers

Application Specification	AS-64321-001
Sales Drawing	SD-64325-004



EU RoHS

ELV and RoHS Compliant
REACH SVHC Not Reviewed
Halogen-Free Status Not Reviewed

China RoHS



Need more information on product environmental compliance?

Email productcompliance@molex.com
 For a multiple part number RoHS Certificate of Compliance, [click here](#)

Please visit the [Contact Us](#) section for any non-product compliance questions.

Search Parts in this Series

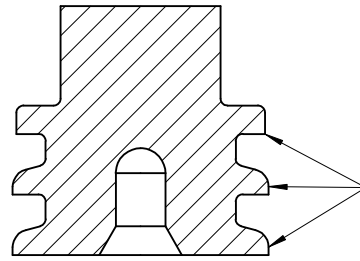
[64325Series](#)

Mates With

CMC Connector [64318](#) , [64321](#)

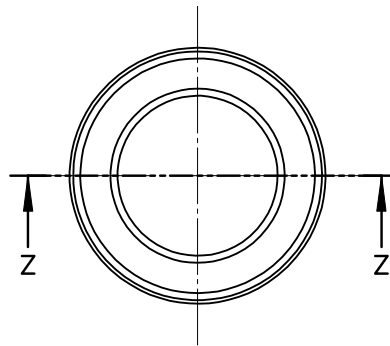
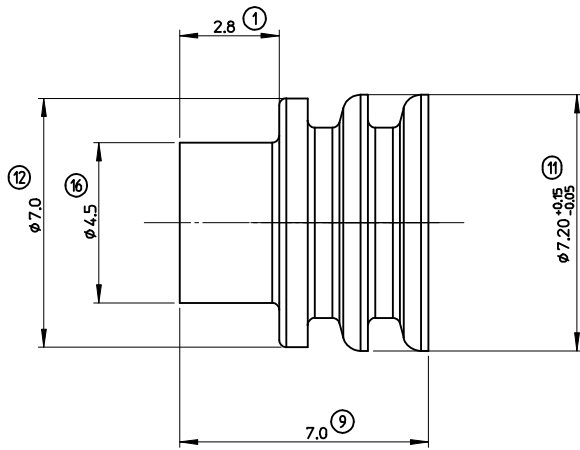
Use With

CMC Receptacle Series [64318](#) , [64321](#)

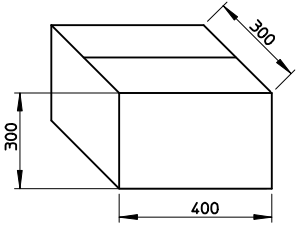


Les lèvres du joint doivent être exemptes de bavures, coupures, manque matière, déformations
 No flash, no cut, no less material, no deformation on seal lips

Z-Z



SPECIFICATION MATIERE : SILICONE LSR 50 +5 SHORE A , LUBRIFIE 4%
 MATERIAL SPECIFICATION : SILICON ELASTOMER TYPE LSR 50+5 SHORE A , SELF BLEEDING : 4%

CONDITIONNEMENT LIVRAISON EN VRAC / LOOSE PACKAGING		
50 000 pièces (2 sacs de 25 000 p.) / carton 50 000 seats (2 bags of 25 000 seats) / cardboard		
CODE EMBALLAGE : GALIA A12 PACKAGING CODE : GALIA A12		
		
0643251091	NOIR/BLACK	0.020
REFERENCE MOLEX MOLEX PART NUMBER	COULEUR COLOUR	POIDS CALCULE (g) CALCULATED WEIGHT (g)

MODIF. NOTES EC NO: G2010-0048 DRWN:VJOUAS 2009/10/05 CHKD:APLESSIS 2009/10/05 APPR:CBOLCHAN 2009/10/05	DESCRIPTION [REDACTED]	GENERAL TOLERANCES (UNLESS SPECIFIED)		DIMENSION STYLE	SCALE	DESIGN UNITS	<input checked="" type="checkbox"/> FIRST ANGLE <input type="checkbox"/> PROJECTION	
		mm	INCH	MM ONLY	10:1	METRIC		
		4 PLACES ± ---	± ---	DRAWN BY	DATE	TITLE		
		3 PLACES ± ---	± ---	VGUERIN	2007/07/13	WIRE SEAL PLUG RCPT TERM		
		2 PLACES ± ---	± ---	CHECKED BY	DATE	MATERIAL NO.		
1 PLACE ± 0.15	± ---	FPAROLARI	2007/07/14	DOCUMENT NO.				
ANGULAR ± 3 °		APPROVED BY	DATE	MATERIAL NO.			SHEET NO.	
DRAFT WHERE APPLICABLE MUST REMAIN WITHIN DIMENSIONS		LSTICKEIR	2007/07/14	0643251091			1 OF 1	
		MATERIAL NO.			SD-64325-004			
THIS DRAWING CONTAINS INFORMATION THAT IS PROPRIETARY TO MOLEX INCORPORATED AND SHOULD NOT BE USED WITHOUT WRITTEN PERMISSION								