

PLEASE CHECK WWW.MOLEX.COM FOR LATEST PART INFORMATION

Part Number: [0359780410](#)
Status: **Active**
Description: 3.96mm (.156") Pitch Wire-to-Board Header, Vertical, Low Profile, 4 Circuits, Natural, Nylon

Documents:

[3D Model](#) [Product Specification PS-35978-001 \(PDF\)](#)
[Drawing \(PDF\)](#) [RoHS Certificate of Compliance \(PDF\)](#)

Agency Certification

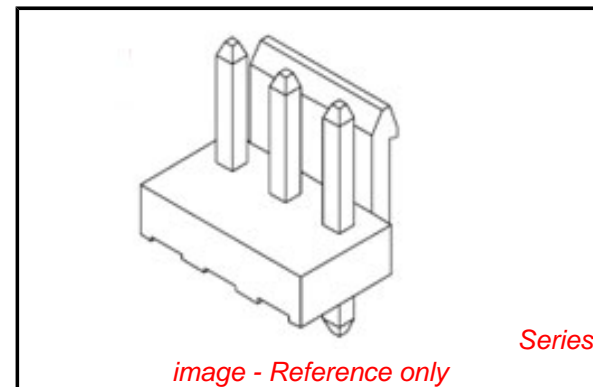
CSA	LR19980
TUV	R72090224
UL	E29179

General

Product Family	PCB Headers
Series	35978
Application	Wire-to-Board
MolexKits	Yes
Product Name	MV-396™

Physical

Breakaway	No
Circuits (Loaded)	4
Circuits (maximum)	4
Color - Resin	Natural
Durability (mating cycles max)	30
First Mate / Last Break	No
Flammability	94V-0
Glow-Wire Compliant	No
Guide to Mating Part	No
Keying to Mating Part	None
Lock to Mating Part	Yes
Material - Metal	Brass
Material - Plating Mating	Tin
Material - Plating Termination	Tin-Lead
Material - Resin	Nylon
Number of Rows	1
Orientation	Vertical
PC Tail Length (in)	0.146 In
PC Tail Length (mm)	3.70 mm
PCB Locator	No
PCB Retention	None
PCB Thickness Recommended (in)	0.062 In
PCB Thickness Recommended (mm)	1.60 mm
Packaging Type	Bag
Pitch - Mating Interface (in)	0.156 In
Pitch - Mating Interface (mm)	3.96 mm
Pitch - Term. Interface (in)	0.156 In
Pitch - Term. Interface (mm)	3.96 mm
Polarized to Mating Part	No
Polarized to PCB	No
Shrouded	No
Stackable	Yes
Surface Mount Compatible (SMC)	No
Temperature Range - Operating	-25°C to +85°C



EU RoHS

ELV and RoHS Compliant
REACH SVHC
 Not Reviewed
Halogen-Free Status

China RoHS



Need more information on product environmental compliance?

Email productcompliance@molex.com
 For a multiple part number RoHS Certificate of Compliance, [click here](#)

Please visit the [Contact Us](#) section for any non-product compliance questions.

Search Parts in this Series

[35978Series](#)

Mates With

[35977 Wire-to-Board Housing](#)

Termination Interface: Style

Through Hole

Electrical

Current - Maximum per Contact

7A

Voltage - Maximum

250V

Material Info

Reference - Drawing Numbers

Packaging Specification

PK-35978-001

Product Specification

PS-35978-001

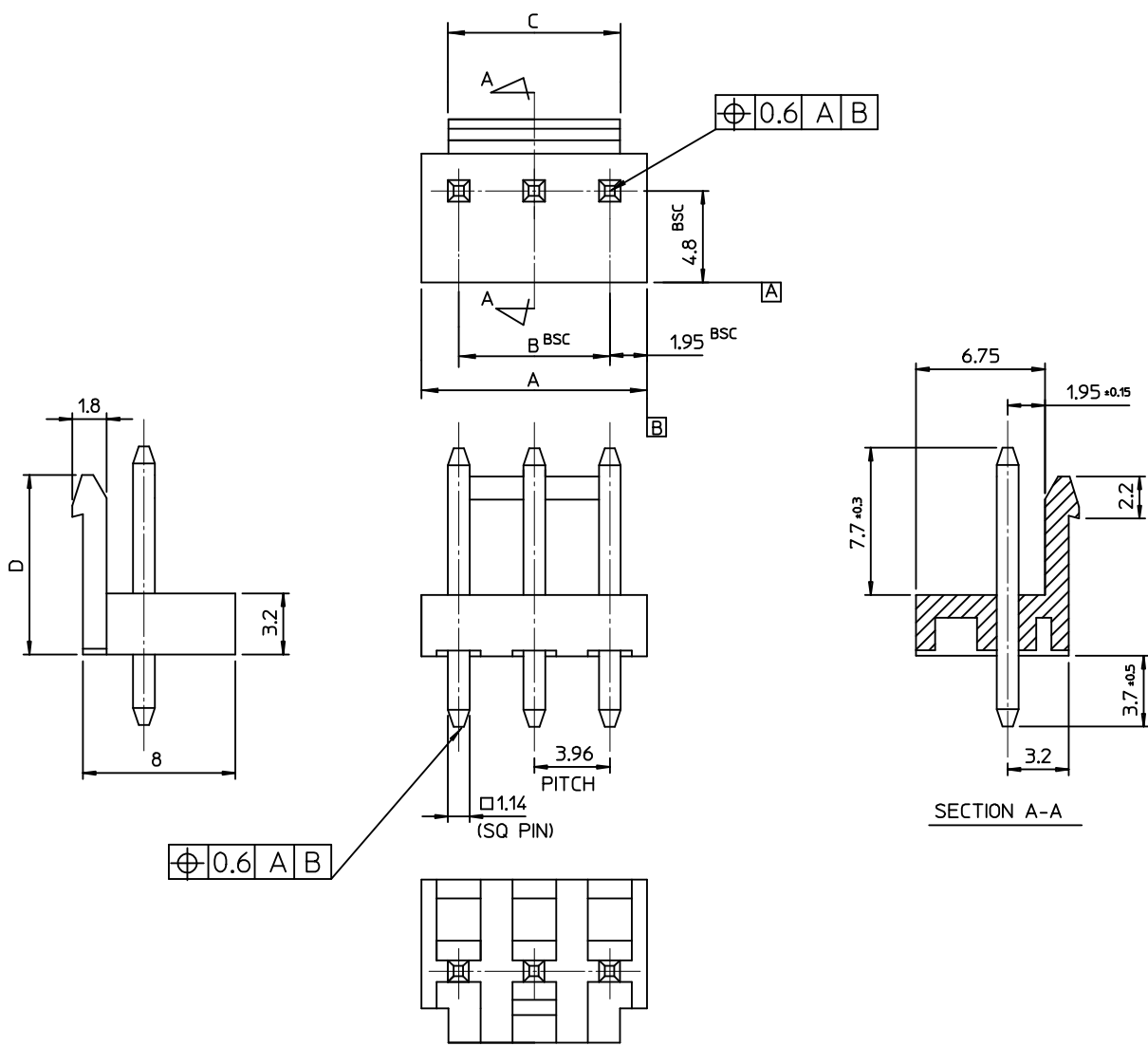
Sales Drawing

SD-35978-001

This document was generated on 06/07/2010

PLEASE CHECK WWW.MOLEX.COM FOR LATEST PART INFORMATION

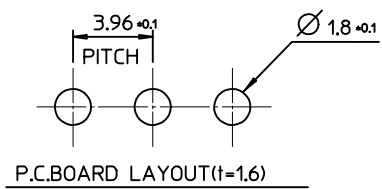
10 9 8 7 6 5 4 3 2 1



NOTES
 1. MATERIAL : HEADER : PA66, ①PC/PET
 PIN : BRASS(CDA 2700)
 2. FINISHES : PIN
 THICKNESS - TIN PLATED 3.0 MICROMETER MIN.
 OVER Cu 1.5 MICROMETER MIN.
 3. PRODUCT SPECIFICATION : PS-35978-001

LEGEND
 35978-****
 COLOR : 0 - WHITE
 1 - BLACK
 2 - RED
 3 - YELLOW
 4 - BLUE
 MATERIAL 1 : PA66 ①3 : PC/PET
 CURCUIT NO. (02,03,04...)

9.4	56.50	55.44	59.40	3597815**	35978-15**	15
	52.54	51.48	55.44	3597814**	-14**	14
	48.58	47.52	51.48	3597813**	-13**	13
	44.62	43.56	47.52	3597812**	-12**	12
9.7	40.66	39.60	43.56	3597811**	-11**	11
	36.70	35.64	39.60	3597810**	-10**	10
	32.74	31.68	35.64	3597809**	-09**	9
	28.78	27.72	31.68	3597808**	-08**	8
	24.84	23.76	27.72	3597807**	-07**	7
	20.86	19.80	23.76	3597806**	-06**	6
	16.90	15.84	19.80	3597805**	-05**	5
	12.94	11.88	15.84	3597804**	-04**	4
	8.98	7.92	11.88	3597803**	-03**	3
	5.02	3.96	7.92	3597802**	-02**	2
D	C	B	A	MAT'L NO	ENG NO.	CURCUITS



REVISED EC NO: KOR2009-0137 DRWN: JHPARK01 2009/05/21 CHKD: WY. YANG 2009/05/21 APPR: YUNSIKKIM 2009/05/22	QUALITY SYMBOLS ▽=0 ∇=0	GENERAL TOLERANCES (UNLESS SPECIFIED) mm INCH	DIMENSION STYLE MM ONLY	SCALE 4:1	DESIGN UNITS METRIC	THIRD ANGLE PROJECTION
	DESCRIPTION	4 PLACES ± --- ± ---	DRAWN BY Y.R.WI	DATE 1999/05/07	TITLE 3.96 W/B HEADER ASSY	
	REV	3 PLACES ± --- ± ---	CHECKED BY J.K.OH	DATE 1999/05/07	MOLEX INCORPORATED	
		2 PLACES ± --- ± ---	APPROVED BY C.W.LEE	DATE 1999/05/07	DOCUMENT NO. SD-35978-001	SHEET NO. 1 OF 01
	1 PLACE ± 0.30 ± ---	ANGULAR ± 2 °	MATERIAL NO. SEE TABLE	THIS DRAWING CONTAINS INFORMATION THAT IS PROPRIETARY TO MOLEX INCORPORATED AND SHOULD NOT BE USED WITHOUT WRITTEN PERMISSION		

9 8 7 6 5 4 3 2 1