

**TITLE**  
**TRANSFORMER, ADSL,**  
**CENTRAL OFFICE**

**SCHOTT**  
 CORPORATION  
 1000 PARKERS LAKE ROAD  
 WAYZATA, MN 55391

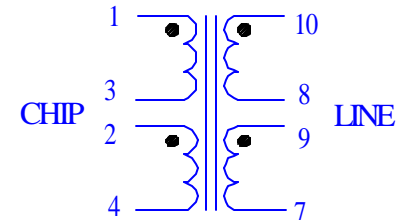
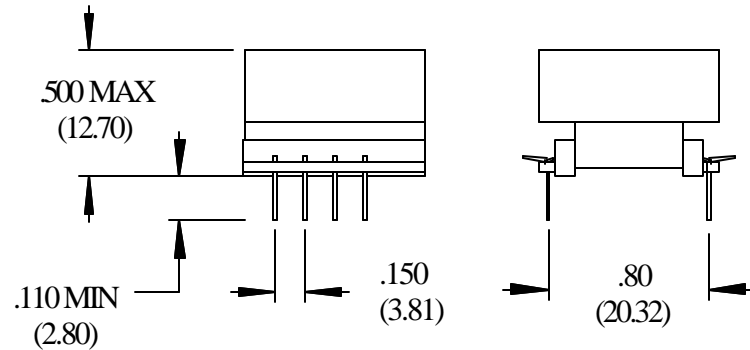
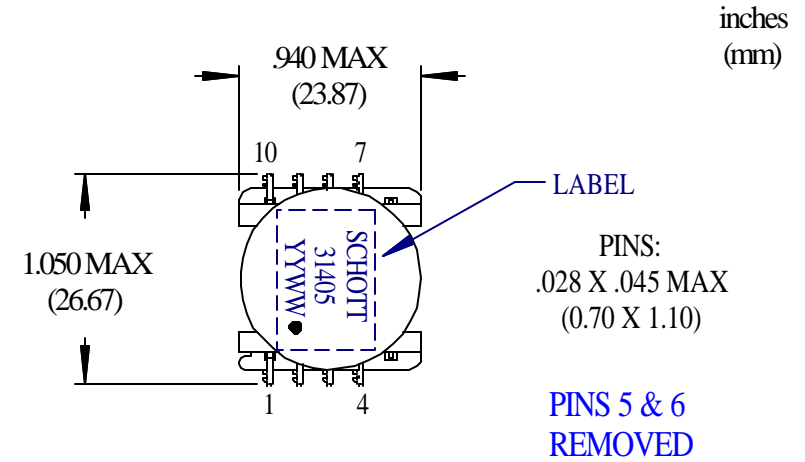
**AGENCY APPROVAL**  
 N/A

**PART NUMBER**  
**31405**  
 REV 2 PAGE 1 END

**SPECIFICATIONS**

TEMP CLASS 105°C  
 Designed to meet UL1950/IEC-950 for  
 working voltage of 250 Vrms, Supplementary Insulation

1. INDUCTANCE: @ 0.1 Vrms, 10 KHz,  
 1-3-2-4 = 853.2 TO 1042.8 μH
2. LEAKAGE INDUCTANCE: @ 0.1 Vrms, 100 KHz  
 1-3-2-4W/ 10-8-9-7 SHORTED = 20 μH MAX
3. IWC: 1-3-2-4 TO 10-8-9-7 @ 100 KHz = 25 pF MAX
4. TURNS RATIO: 1-3 : 2-4 : 10-8 : 9-7 = 1.40 : 1.40 : 1 : 1 ± 2%
5. DC RESISTANCE: OHMS  
 1-3, 2-4 = 1.00 MAX  
 10-8, 9-7 = 0.80 MAX
6. LONGITUDINAL BALANCE:  
 @ 100 KHz, 100 OHMS = - 60 dB MIN
7. DWV: 1500 Vac (1 minute qualification test)  
 2500 Vdc, (or 1800 Vac) Schott production test  
 1-2-3-4 TO 7-8-9-10 - SAFTY CRITICAL  
 ALL WINDINGS TO CORE
8. HARMONIC DISTORTION:  
 @ 100 KHz, 15 V p-p, 100 OHMS = -80 dB MIN



TOLERANCES UNLESS OTHERWISE NOTED	2 PLACE	3 PLACE	ANGLE
	+ .02	+ .005	+ °