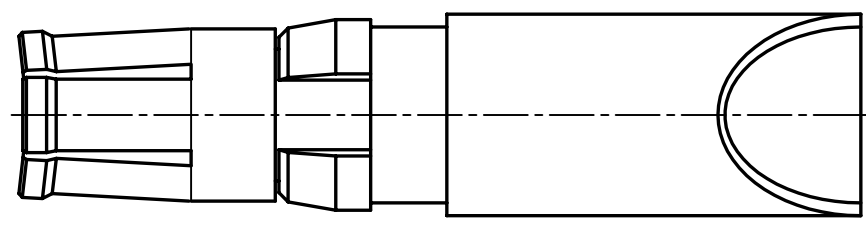
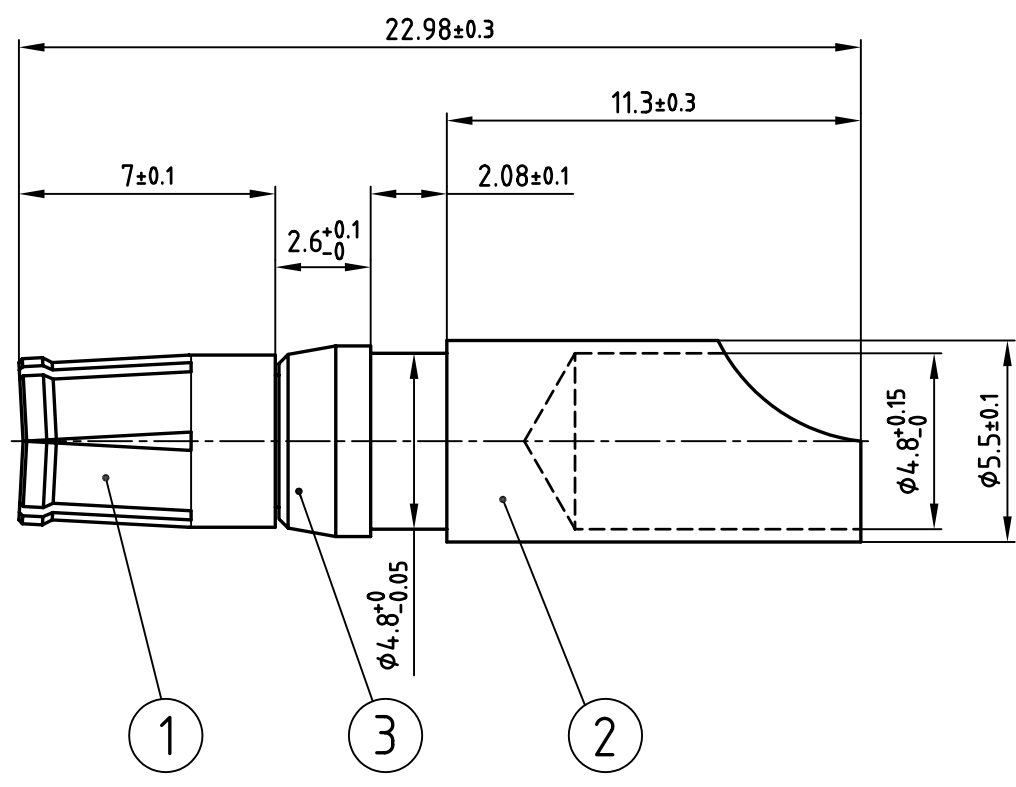


used for: D-SUB COMBINATION



**NOTES:**

- 1. MATERIAL: COPPER ALLOY
- 2. PLATING:  
 ITEM 1: min. 30µ" HARD GOLD OVER min. 50µ" NICKEL  
 ITEM 2: min. 8µ" HARD GOLD OVER min. 50µ" NICKEL  
 ITEM 3: NICKEL PLATED

Directive 2002/95/EC  
 „RoHS“  
 Compliant

THIS DRAWING MAY NOT BE COPIED OR REPRODUCED IN ANY WAY, AND MAY NOT BE PASSED ON TO A THIRD PARTY WITHOUT WRITTEN PERMISSION.  
 OWNERSHIP AND COPYRIGHT OF CONEC GmbH  
 DO NOT ALTER CAD DRAWING BY HAND

			tolerance		
1998	date	name			
drawn	23.03.	Barcinski			
appd.	23.03.	Mickenbecker			
norm					
d-old					
rev.	description	date	name		



scale:	5:1
material:	SEE NOTES
title:	<b>HIGH POWER CONTACT FEMALE</b> SOLDER CUP 40A D-SUB COMBINATION
dwg no:	AutoCAD/REL.13
part no:	132C10049X

DIN-A  
4  
sh: 1/1