

PLEASE CHECK WWW.MOLEX.COM FOR LATEST PART INFORMATION

Part Number: [1040470490](#)
Status: **Active**
Description: 2.00mm (.079") Pitch Wire-to-Board Crimp Housing, Single Row, 4 Circuits

Documents:

[3D Model](#) [Product Specification PS-104046-001 \(PDF\)](#)
[Drawing \(PDF\)](#) [RoHS Certificate of Compliance \(PDF\)](#)

Agency Certification

UL E29179

General

Product Family Crimp Housings
 Series [104047](#)
 Comments for LED module
 Product Name N/A

Physical

Circuits (maximum) 4
 Color - Resin Natural
 Flammability 94V-0
 Gender Receptacle
 Glow-Wire Compliant No
 Keying to Mating Part Yes
 Lock to Mating Part Yes
 Number of Rows 1
 Packaging Type Bag
 Panel Mount No
 Pitch - Mating Interface (in) 0.079 In
 Pitch - Mating Interface (mm) 2.00 mm
 Polarized to Mating Part Yes
 Temperature Range - Operating -25°C to +135°C

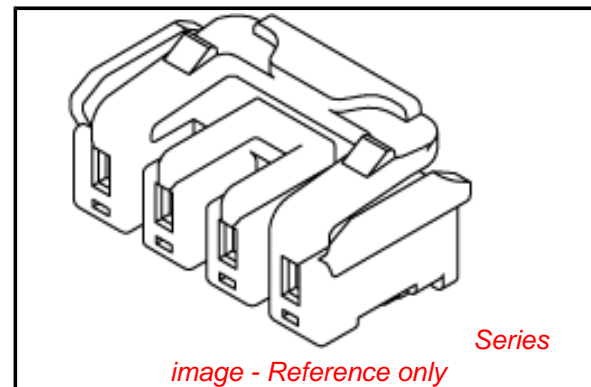
Electrical

Current - Maximum per Contact 1A

Material Info

Reference - Drawing Numbers

Packaging Specification PK-104047-002
 Product Specification PS-104046-001
 Sales Drawing SD-104047-001



EU RoHS

**ELV and RoHS
 Compliant
 REACH SVHC
 Contains SVHC: No
 Halogen-Free
 Status**

China RoHS



**Need more information on product
 environmental compliance?**

Email productcompliance@molex.com
 For a multiple part number RoHS Certificate of
 Compliance, [click here](#)

Please visit the [Contact Us](#) section for any
 non-product compliance questions.

Search Parts in this Series

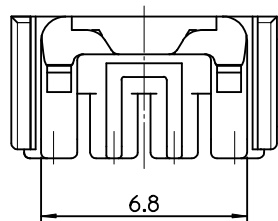
[104047Series](#)

Mates With

[104048 PCB Header](#)

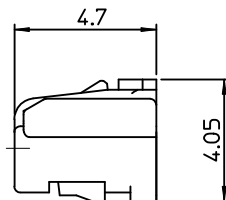
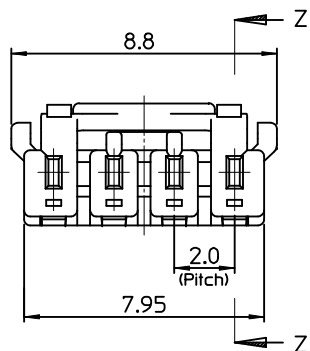
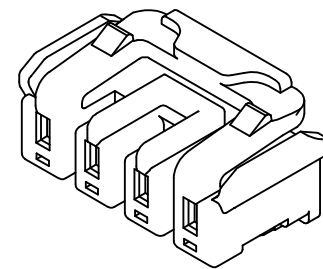
Use With

[104466 Crimp Terminal](#)



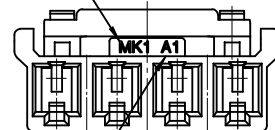
NOTES.

1. MATED WITH : 104046-0417
2. MATERIALS
HOUSING : LIQUIDE CRYSTAL POLYMER(LCP), GLASS FILLED, UL94V-0
COLOR OF NATURAL
3. APPLICABLE TERMINAL : 104466-8002



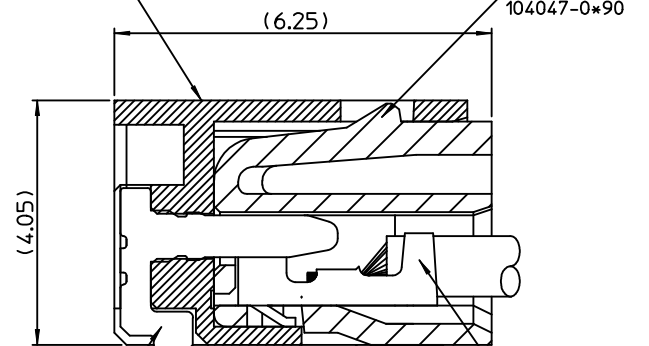
TRADE MARK

CAVITY NO.



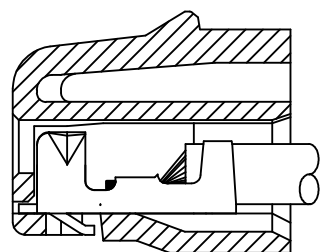
HEADER ASS'Y
104046-0*17

HOUSING
104047-0*90



104464-8002
HEADER
CONTACT TERMINAL

HEADER ASS'Y
(SCALE 12:1)



SECTION Z-Z
(SCALE 12:1)

NEW RELEASED EC NO: KOR2010-0066 DRWN:CBCHIN 2009/10/15 CHKD:WYANG 2009/10/20 APPR:YUNSIKKIM 2009/10/21	DESCRIPTION REV	QUALITY SYMBOLS ▽=0 ▽=0	GENERAL TOLERANCES (UNLESS SPECIFIED)		DIMENSION STYLE MM ONLY	SCALE 6:1	DESIGN UNITS METRIC	THIRD ANGLE PROJECTION		
		4 PLACES ± --- ± ---	mm INCH	DRAWN BY SK.HAN	DATE 2009/03/11	2.0 W-T-B CONN. HOUSING-4P				
		3 PLACES ± --- ± ---	± 0.20 ± ---	CHECKED BY WY.YANG	DATE 2009/03/11					
		2 PLACES ± 0.25 ± ---	± 0.25 ± ---	APPROVED BY WY.YANG	DATE 2009/03/11	MOLEX MOLEX INCORPORATED				
1 PLACE ± 0.25 ± ---	ANGULAR ± 3 °	MATERIAL NO. 1040470490	DOCUMENT NO. SD-104047-001	SHEET NO. 1 OF 01						
DRAFT WHERE APPLICABLE MUST REMAIN WITHIN DIMENSIONS			THIS DRAWING CONTAINS INFORMATION THAT IS PROPRIETARY TO MOLEX INCORPORATED AND SHOULD NOT BE USED WITHOUT WRITTEN PERMISSION							