

PLEASE CHECK WWW.MOLEX.COM FOR LATEST PART INFORMATION

Part Number: **0743205000**
Status: **Active**
Description: MicroCross™ DVI-D Digital Visual Interface, PCB Receptacle, Panel Mount, Through Hole, Vertical, 0.76µm (30µ") Gold (Au), Lead Free, Screw Hole, 4-40 Thread, 24 Circuits

Documents:

[Drawing \(PDF\)](#) [Product Specification PS-74320-001 \(PDF\)](#)
[Test Summary \(PDF\)](#) [RoHS Certificate of Compliance \(PDF\)](#)

Agency Certification

UL E29179

General

Product Family I/O Connectors
 Series [74320](#)
 Application Wire-to-Board
 Comments DDWG (Digital Display Working Group) Standard
 Component Type Receptacle
 MolexKits Yes
 Product Name MicroCross™DVI
 Type N/A

Physical

Boot Color N/A
 Circuits (Loaded) 24
 Circuits (maximum) 24
 Color - Resin Natural
 Durability (mating cycles max) 100
 Flammability 94V-0
 Gender Receptacle
 Keying to Mating Part Yes
 Lock to Mating Part Yes
 Material - Metal Copper Alloy
 Material - Plating Mating Gold
 Material - Plating Termination Tin
 Number of Rows 3
 Orientation Vertical
 PC Tail Length (in) 0.092 In
 PC Tail Length (mm) 2.34 mm
 PCB Locator Yes
 PCB Retention Yes
 Packaging Type Tray
 Panel Mount Yes
 Pitch - Mating Interface (in) 0.075 In
 Pitch - Mating Interface (mm) 1.91 mm
 Pitch - Term. Interface (in) 0.075 In
 Pitch - Term. Interface (mm) 1.91 mm
 Plating min: Mating (µin) 30
 Plating min: Mating (µm) 0.76
 Plating min: Termination (µin) 100
 Plating min: Termination (µm) 2.50
 Polarized to Mating Part Yes
 Polarized to PCB Yes
 Ports 1
 Surface Mount Compatible (SMC) No

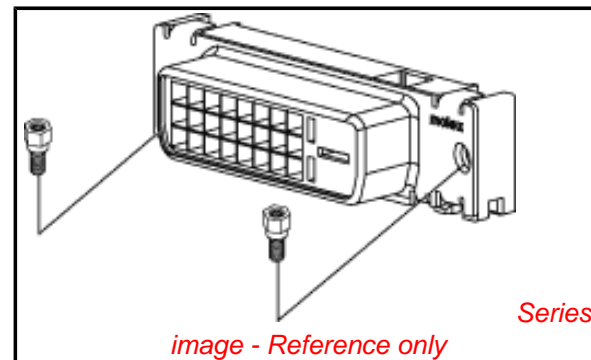
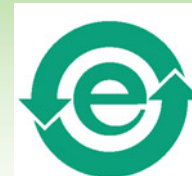


image - Reference only

EU RoHS

**ELV and RoHS
Compliant**
REACH SVHC
 Not Reviewed
**Halogen-Free
Status**
Not Reviewed

China RoHS



Need more information on product environmental compliance?

Email productcompliance@molex.com
 For a multiple part number RoHS Certificate of Compliance, [click here](#)

Please visit the [Contact Us](#) section for any non-product compliance questions.

Search Parts in this Series

[74320Series](#)

Mates With

[88744](#) , [74323](#)

Use With

[71781](#) Panel Mount Hex Screw Kit

Temperature Range - Operating	-20°C to +85°C
Termination Interface: Style	Through Hole
Waterproof / Dustproof	No
Wire Size AWG	N/A

Electrical

Current - Maximum per Contact	3A
Grounding to Panel	Yes
Shield Type	Full Shield
Shielded	Yes
Voltage - Maximum	40V AC (RMS)

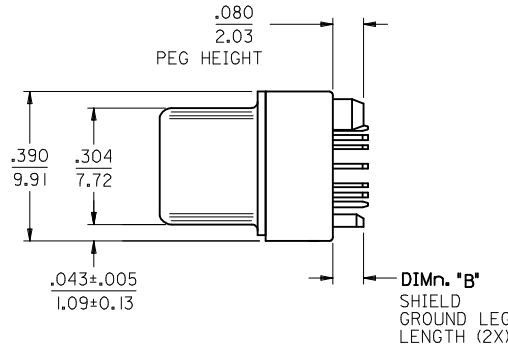
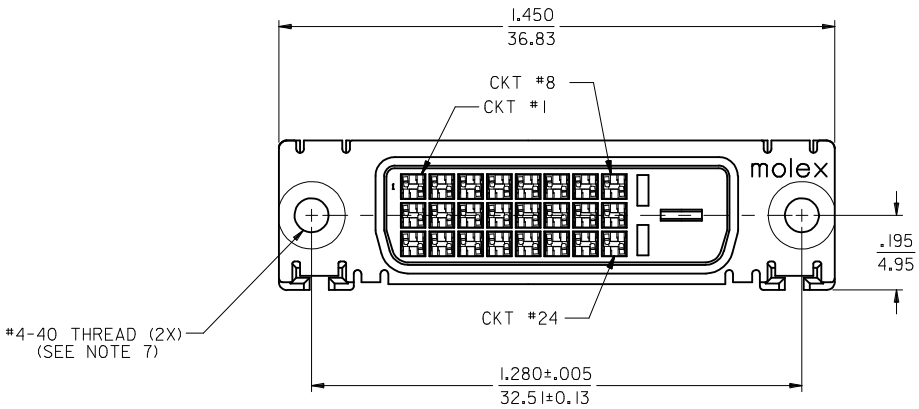
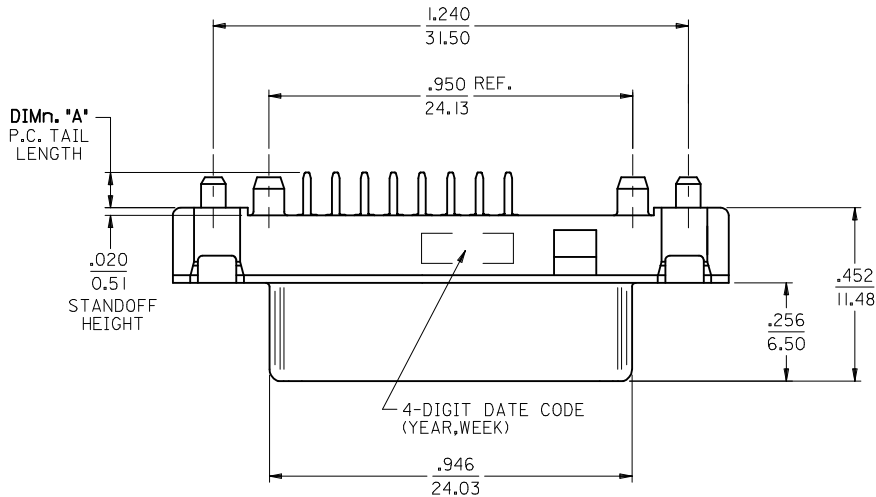
Material Info

Reference - Drawing Numbers

Packaging Specification	PK-74320-002, PK-74320-010
Product Specification	PS-74320-001
Sales Drawing	SD-74320-004
Test Summary	TS-74320-001

This document was generated on 06/07/2010

PLEASE CHECK WWW.MOLEX.COM FOR LATEST PART INFORMATION



NOTES:

- MATERIALS:
SHIELD -- DEEP DRAW STEEL.
HOUSING -- GLASS FILLED POLYMER, NATURAL (WHITE), UL 94v-0.
CONTACTS -- COPPER ALLOY.
- PLATING: SEE SHEET 2.
- PRODUCT CONFORMS TO MOLEX PRODUCT SPECIFICATION NUMBER PS-74320-001.
- SEE SHEET 2 FOR RECOMMENDED PANEL CUT-OUT AND P.C.B. LAYOUT.
- PARTS WILL BE PACKAGED IN TRAYS PER PK-74320-010.
- PRODUCT CONFORMS TO DDWG DVI SPECIFICATION. REFER TO THIS SPECIFICATION FOR CONNECTOR MATING DIMENSIONS.
- RECOMMENDED MOUNTING HARDWARE IS MOLEX P/N 71781-0001 OR 82007-0300 OR 88780-6066. REFER TO PRODUCT SPECIFICATION NUMBER PS-74320-001 FOR THE APPLICATION TORQUE REQUIREMENT FOR ASSEMBLING MOUNTING HARDWARE.

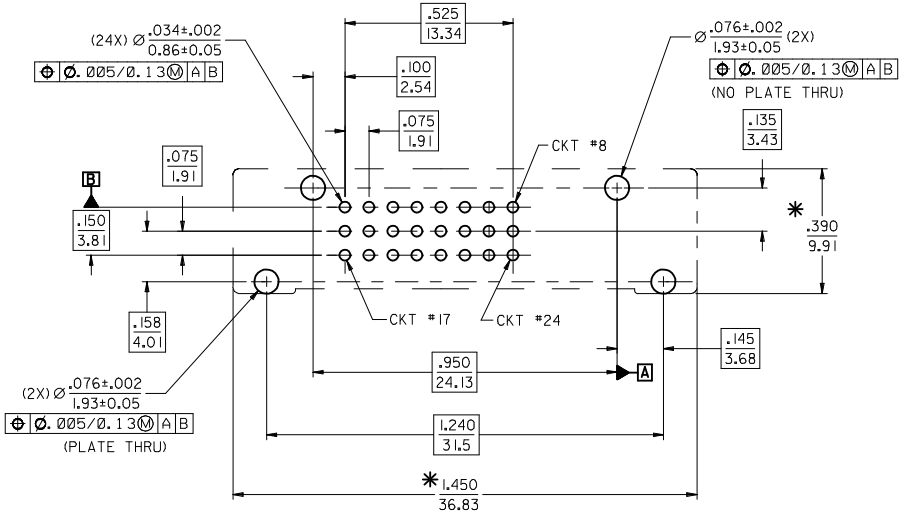
PART NUMBER	DIMn 'A'	DIMn 'B'	PLATING OPTION
74320-5000	.092/2.34	.080/2.03	1
74320-5001	.050/1.27	.080/2.03	1
74320-5004	.092/2.34	.080/2.03	2
74320-5005	.050/1.27	.080/2.03	2
74320-5006	.110/2.79	.110/2.79	2

REV	DESCRIPTION
REVISE	EC NO: SH2010-0059
DRWN: XJSONG	2009/08/18
CHKD: XJSONG	2009/08/19
APPR: RZHANG	2009/09/28

QUALITY SYMBOLS	GENERAL TOLERANCES (UNLESS SPECIFIED)
▽=0	mm INCH
▽=0	4 PLACES ± --- ± ---
	3 PLACES ± 0.25 ± .010
	2 PLACES ± 0.25 ± .010
	1 PLACE ± 0.25 ± .010
	ANGULAR ± ---°

DIMENSION STYLE	SCALE	DESIGN UNITS	THIRD ANGLE PROJECTION
IN/MM	INCH	INCH	THIRD ANGLE PROJECTION

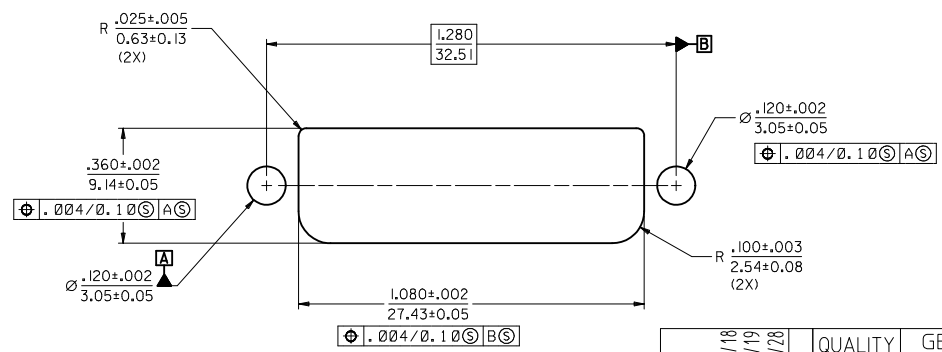
TITLE	MATERIAL NO.	DOCUMENT NO.	SHEET NO.
DVI-DIGITAL VERTICAL RECEPTACLE CONNECTOR	SEE CHART	SD-74320-004	1 OF 2



* THESE DIMENSIONS REPRESENT CONNECTOR OVERLAY ON PCB.

PLATING OPTIONS:

- PLATING OPTION #1:
 OUTER SHIELD -- 150u"/3.75um MIN. BRIGHT TIN OVER
 50u"/1.27um MIN. NICKEL OVER COPPER FLASH.
 .075"/1.91mm CONTACTS -- 30u"/0.75um MIN. SELECT GOLD AND
 100u"/2.50um MIN. SELECT PURE TIN
 OVER 50u"/1.27um MIN. NICKEL OVERALL.
- PLATING OPTION #2:
 OUTER SHIELD -- 150u"/3.75um MIN. BRIGHT TIN OVER
 50u"/1.27um MIN. NICKEL OVER COPPER FLASH.
 .075"/1.91mm CONTACTS -- SELECT GOLD FLASH AND
 100u"/2.50um MIN. SELECT PURE TIN
 OVER 50u"/1.27um MIN. NICKEL OVERALL.



RECOMMENDED PANEL CUT-OUT
 PANEL THICKNESS: .030/0.76 - .040/1.02

SEE SHEET1	DESCRIPTION
EC NO: SHZ010-0059	2009/08/18
DRWN: XJ SONG	2009/08/19
CHKD: XJ SONG	2009/08/19
APPR: RZHANG	2009/09/28
REV	

QUALITY SYMBOLS	▽=0
	∇=0
GENERAL TOLERANCES (UNLESS SPECIFIED)	mm
	INCH
	4 PLACES ± --- ± ---
	3 PLACES ± 0.25 ± 0.10
DIMENSION STYLE	IN/MM
	DRAWN BY
	DATE
SCALE	1:1
	CHECKED BY
	DATE
DESIGN UNITS	INCH
	APPROVED BY
	DATE
THIRD ANGLE PROJECTION	ANGULAR ± ---°
	MATERIAL NO.
	DOCUMENT NO.
DRAWING INFORMATION	DRAFT WHERE APPLICABLE MUST REMAIN WITHIN DIMENSIONS
	SEE CHART
SIZE	A3
	THIS DRAWING CONTAINS INFORMATION THAT IS PROPRIETARY TO MOLEX INCORPORATED AND SHOULD NOT BE USED WITHOUT WRITTEN PERMISSION

DRAWN BY	DATE	TITLE
MOSULL IV	99/02/12	DVI-DIGITAL VERTICAL RECEPTACLE CONNECTOR
CHECKED BY	DATE	
MOSULL IV	99/02/12	
APPROVED BY	DATE	
NELLIGAN	99/02/15	
MATERIAL NO.		
DOCUMENT NO.		

MOLEX INCORPORATED		SHEET NO.
SD-74320-004		2 OF 2