

**PLEASE CHECK WWW.MOLEX.COM FOR LATEST PART INFORMATION**

**Part Number:** [0685070811](#)  
**Status:** **Active**  
**Description:** 1.02mm (.040") Tab, Wire-to-Wire Housing, Male, 8 Circuits, Screw Type

**Documents:**

[3D Model](#) [Product Specification PS-104000-001 \(PDF\)](#)  
[Drawing \(PDF\)](#) [RoHS Certificate of Compliance \(PDF\)](#)

**General**

Product Family Crimp Housings  
 Series [68507](#)  
 Product Name N/A

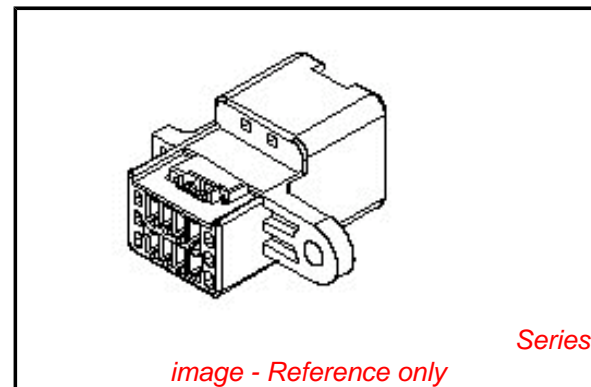
**Physical**

Circuits (maximum) 8  
 Color - Resin Black, Yellow  
 Gender Male  
 Glow-Wire Compliant No  
 Material - Resin Polyester  
 Number of Rows 2  
 Packaging Type Bag  
 Panel Mount Yes  
 Pitch - Mating Interface (in) 0.098 In  
 Pitch - Mating Interface (mm) 2.50 mm  
 Stackable No  
 Temperature Range - Operating -40°C to +80°C

**Material Info**

**Reference - Drawing Numbers**

Product Specification PS-104000-001  
 Sales Drawing SD-68507-004



**EU RoHS**

**ELV and RoHS Compliant**  
**REACH SVHC**  
 Not Reviewed  
**Halogen-Free Status**

**China RoHS**



**Need more information on product environmental compliance?**

Email [productcompliance@molex.com](mailto:productcompliance@molex.com)  
 For a multiple part number RoHS Certificate of Compliance, [click here](#)

Please visit the [Contact Us](#) section for any non-product compliance questions.

**Search Parts in this Series**

[68507Series](#)

**Mates With**

[68508](#)

**Use With**

[50654](#) , [50660](#)

DO NOT SCALE DRAWING  
DIMENSION IN METRIC

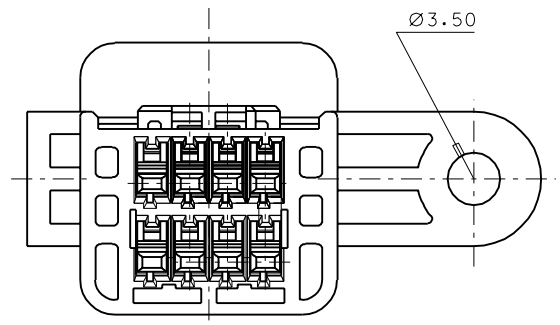
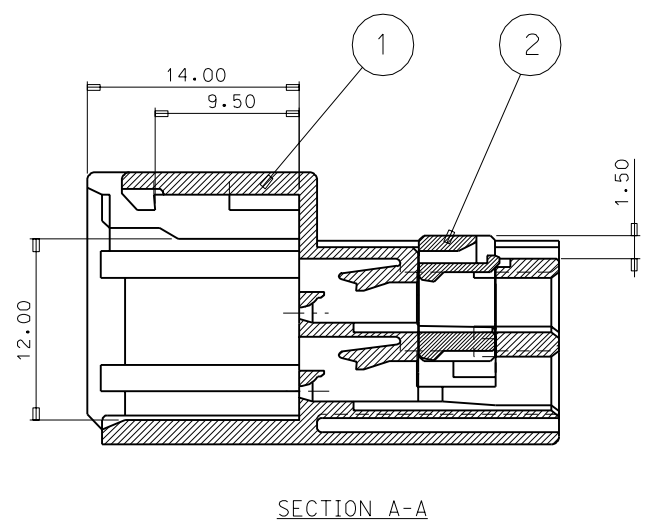
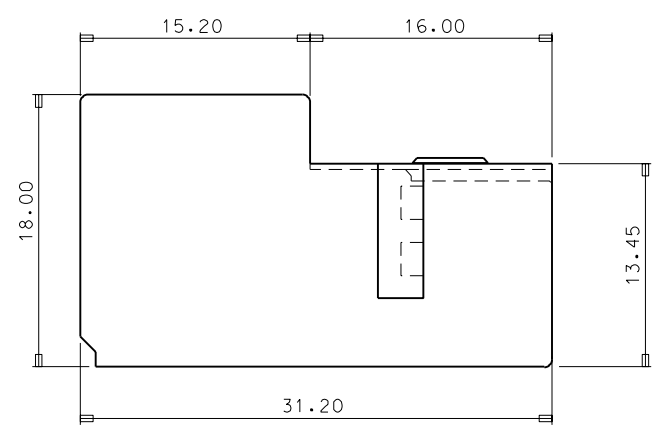
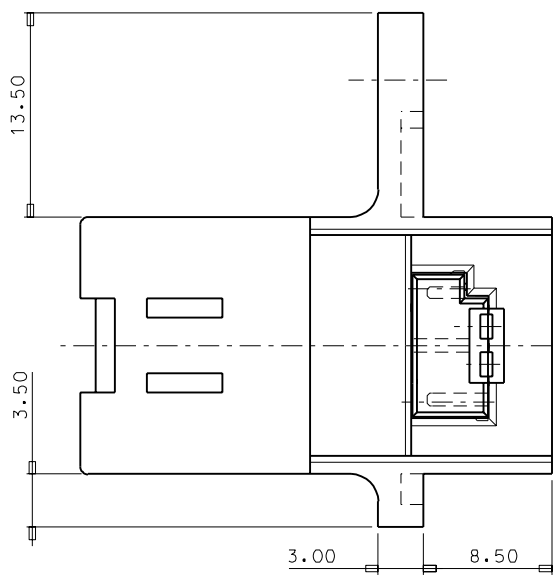
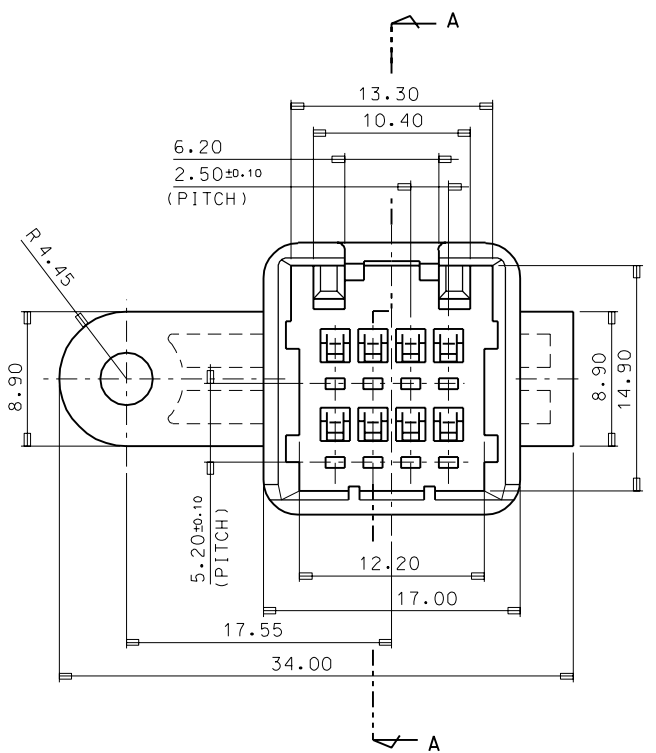
PROJECT NO.

SIMILAR ITEM

DWG. NO.  
SD-68507-003

- NOTE
1. MATERIAL & FINISH: SEE TABLE
  2. APPLICATION: .040 FEMALE HSG ASS'Y 8P  
(ENG. NO.:68508-0811)

NO.	PART NO.	PART NAME	MATERIAL	REMARK
1	68507-0891	.040 F/HSG	POLYESTER	BLACK
2	68509-0883	.040 F/TPA	POLYESTER	YELLOW



1	685070811	68507-0811
NO.	MATERIAL NO.	ENG. NO.

RELEASE TO MANUFACTURING EC NO.:KOR2002-0082 DRWN:H.C.RHO CHK:H.C.RHO APPR:C.W.LEE	MAJOR	QUALITY SYMBOLS
	CRITICAL	
DESCRIPTION		
REV		

GENERAL TOLERANCES: (UNLESS SPECIFIED)	
mm	INCH
4 PLACES	± .
3 PLACES	± .
2 PLACES	± 0.2
1 PLACE	± 0.3
ANGULAR: ± 1°	
DRAFT WHERE APPLICABLE MUST REMAIN WITHIN DIMENSIONS	

SCALE 3:1	DESIGN UNITS <input checked="" type="checkbox"/> mm <input type="checkbox"/> INCH
DRAWN BY & DATE H.C.RHO '01.08.14	TITLE: .040 W/W MALE HOUSING ASS'Y 8P (SCREW TYPE)
CHECKED BY & DATE B.K.CHOI '01.08.14	MOLEX INCORPORATED KOREA
APPROVED BY & DATE C.W.LEE '01.08.14	
CAD FILENAME 4MHSA8P	MATERIAL NO. SEE TABLE

DIMENSIONS: <input type="checkbox"/> mm <input type="checkbox"/> INCH <input checked="" type="checkbox"/> mm ONLY		SHT	REV
			REVISE ON CAD ONLY
MATERIAL NO. SEE TABLE		DRAWING NO. SD-68507-004	SHEET NO. 10F1
THIS DRAWING CONTAINS INFORMATION THAT IS PROPRIETARY TO MOLEX INCORPORATED AND SHOULD NOT BE USED WITHOUT WRITTEN PERMISSION.		SIZE B	

DO NOT SCALE DRAWING  
DIMENSION IN METRIC

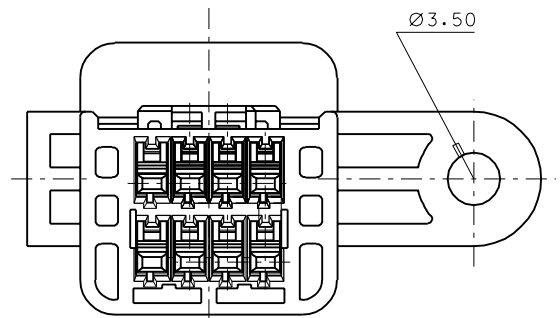
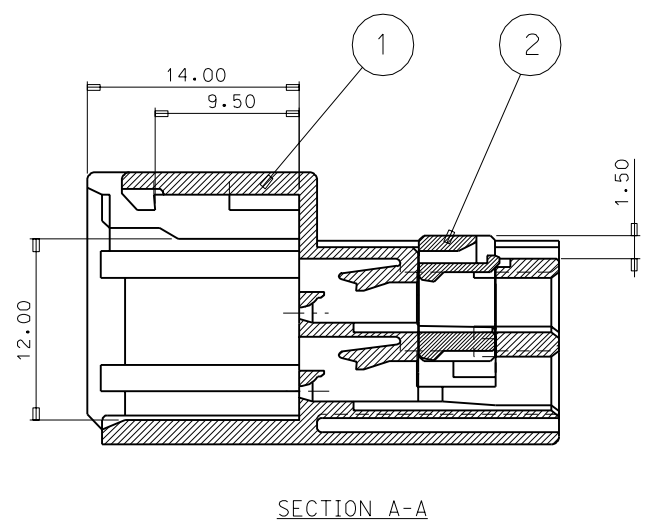
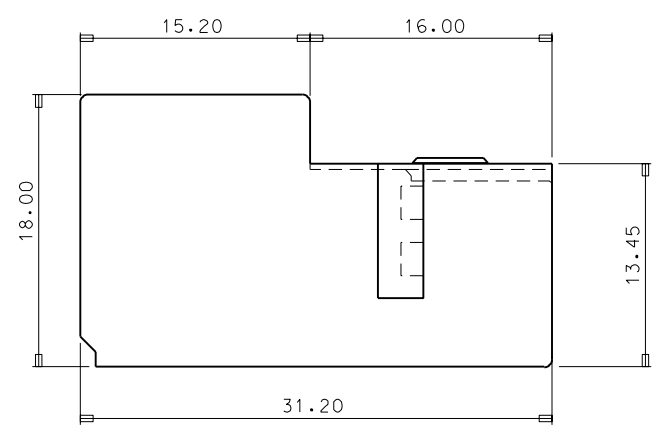
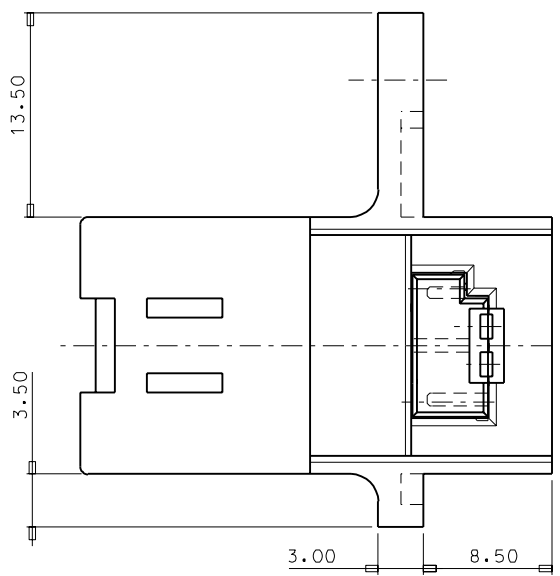
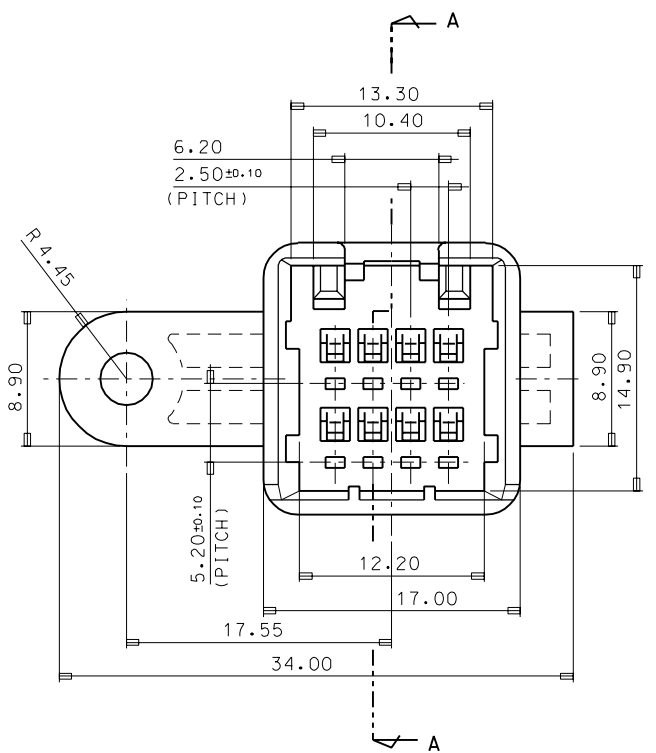
PROJECT NO.

SIMILAR ITEM

DWG. NO.  
SD-68507-003

NOTE  
 1. MATERIAL & FINISH: SEE TABLE  
 2. APPLICATION: .040 FEMALE HSG ASS'Y 8P  
 (ENG. NO.:68508-0811)

NO.	PART NO.	PART NAME	MATERIAL	REMARK
1	68507-0891	.040 F/HSG	POLYESTER	BLACK
2	68509-0883	.040 F/TPA	POLYESTER	YELLOW



1	685070811	68507-0811
NO.	MATERIAL NO.	ENG. NO.

RELEASE TO MANUFACTURING EC NO.:KOR2002-0082 DRWN:H.C.RHO CHK:H.C.RHO APPR:C.W.LEE	MAJOR CRITICAL	QUALITY SYMBOLS
DESCRIPTION		
REV		

GENERAL TOLERANCES: (UNLESS SPECIFIED)	
4 PLACES	±0.1
3 PLACES	±0.1
2 PLACES	±0.2
1 PLACE	±0.3
ANGULAR: ± 1°	
DRAFT WHERE APPLICABLE MUST REMAIN WITHIN DIMENSIONS	

SCALE 3:1	DESIGN UNITS <input checked="" type="checkbox"/> mm <input type="checkbox"/> INCH
DRAWN BY & DATE H.C.RHO'01.08.14	TITLE: .040 W/W MALE HOUSING ASS'Y 8P (SCREW TYPE)
CHECKED BY & DATE B.K.CHOI'01.08.14	APPROVED BY & DATE C.W.LEE'01.08.14
CAD FILENAME 4MHSA8P	MATERIAL NO. SEE TABLE

DIMENSIONS: <input type="checkbox"/> mm <input type="checkbox"/> INCH <input checked="" type="checkbox"/> mm ONLY		SHT REVISE ON CAD ONLY
THIRD ANGLE PROJECTION		
MOLEX INCORPORATED KOREA		
DRAWING NO. SD-68507-004	SHEET NO. 10F1	
THIS DRAWING CONTAINS INFORMATION THAT IS PROPRIETARY TO MOLEX INCORPORATED AND SHOULD NOT BE USED WITHOUT WRITTEN PERMISSION.		SIZE B

DO NOT SCALE DRAWING  
DIMENSION IN METRIC

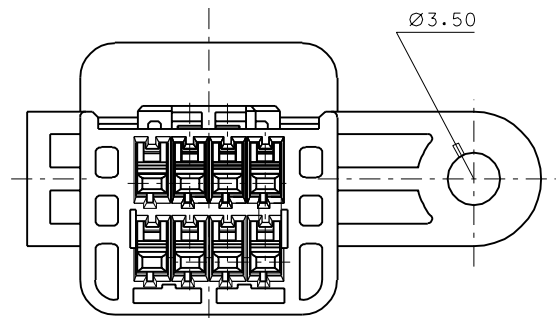
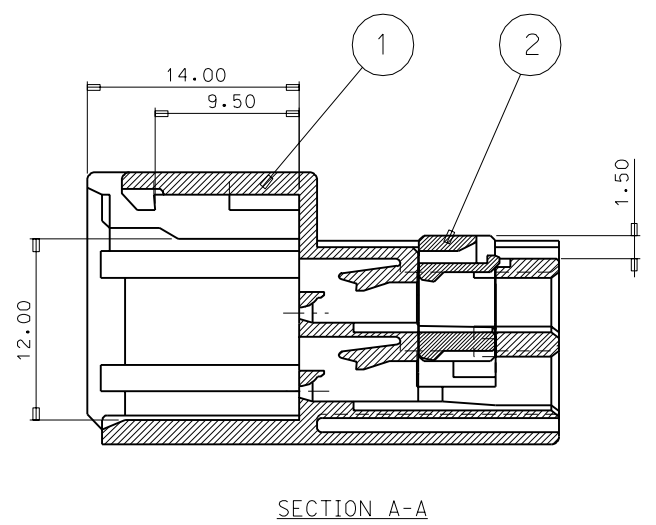
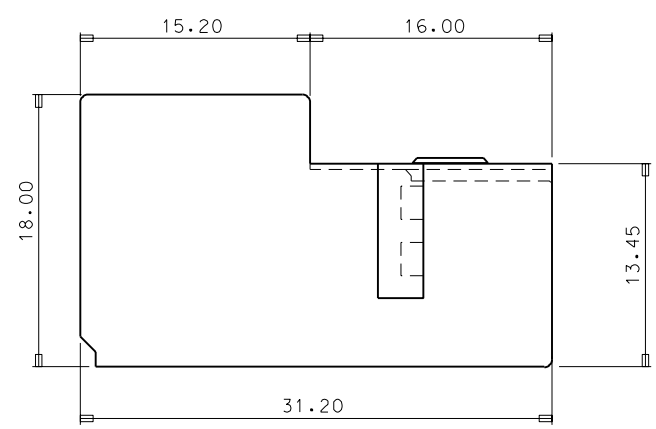
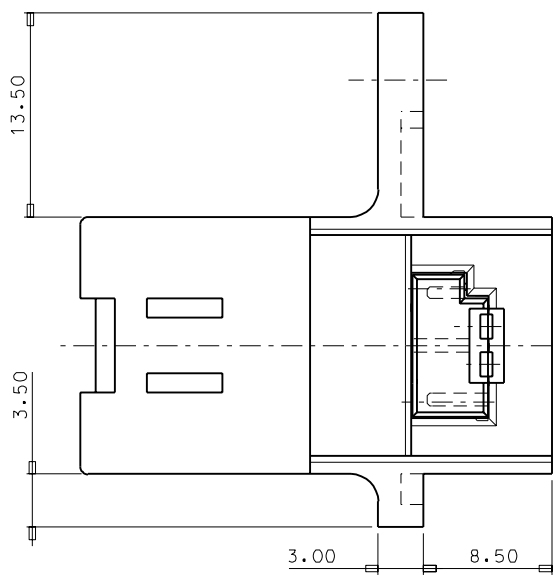
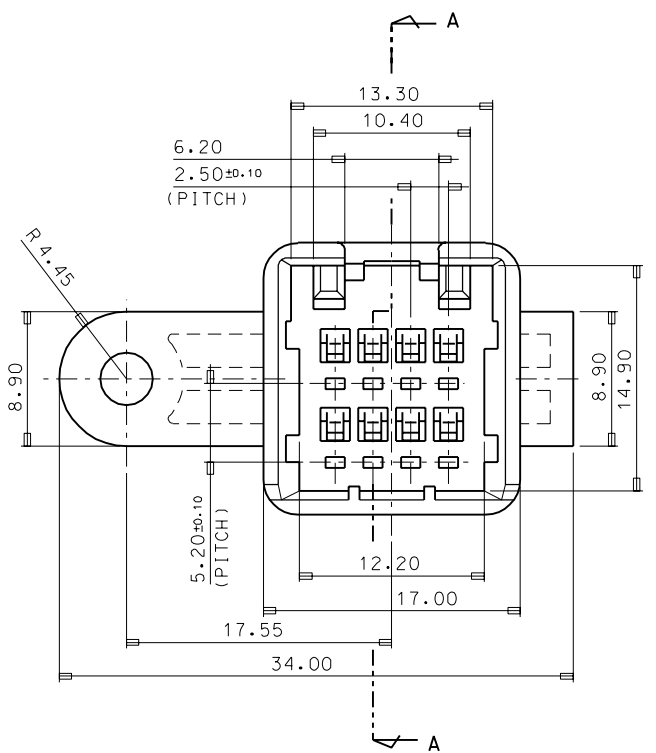
PROJECT NO.

SIMILAR ITEM

DWG. NO.  
SD-68507-003

NOTE  
 1. MATERIAL & FINISH: SEE TABLE  
 2. APPLICATION: .040 FEMALE HSG ASS'Y 8P  
 (ENG. NO.:68508-0811)

NO.	PART NO.	PART NAME	MATERIAL	REMARK
1	68507-0891	.040 F/HSG	POLYESTER	BLACK
2	68509-0883	.040 F/TPA	POLYESTER	YELLOW



1	685070811	68507-0811
NO.	MATERIAL NO.	ENG. NO.

RELEASE TO MANUFACTURING EC NO.:KOR2002-0082 DRWN:H.C.RHO CHK:H.C.RHO APPR:C.W.LEE	MAJOR	QUALITY SYMBOLS
	CRITICAL	
DESCRIPTION		
REV		

GENERAL TOLERANCES: (UNLESS SPECIFIED)	
mm	INCH
4 PLACES	± .
3 PLACES	± .
2 PLACES	± 0.2
1 PLACE	± 0.3
ANGULAR: ± 1°	
DRAFT WHERE APPLICABLE MUST REMAIN WITHIN DIMENSIONS	

SCALE 3:1	DESIGN UNITS <input checked="" type="checkbox"/> mm <input type="checkbox"/> INCH
DRAWN BY & DATE H.C.RHO '01.08.14	
CHECKED BY & DATE B.K.CHOI '01.08.14	
APPROVED BY & DATE C.W.LEE '01.08.14	
CAD FILENAME 4MHSA8P	

DIMENSIONS: <input type="checkbox"/> mm <input type="checkbox"/> INCH <input checked="" type="checkbox"/> mm ONLY		SHT	REV
THIRD ANGLE PROJECTION		REVISE ON CAD ONLY	
TITLE: .040 W/W MALE HOUSING ASS'Y 8P (SCREW TYPE)			
MOLEX INCORPORATED KOREA			
MATERIAL NO. SEE TABLE	DRAWING NO. SD-68507-004	SHEET NO. 10F1	
THIS DRAWING CONTAINS INFORMATION THAT IS PROPRIETARY TO MOLEX INCORPORATED AND SHOULD NOT BE USED WITHOUT WRITTEN PERMISSION.			SIZE B

DO NOT SCALE DRAWING  
DIMENSION IN METRIC

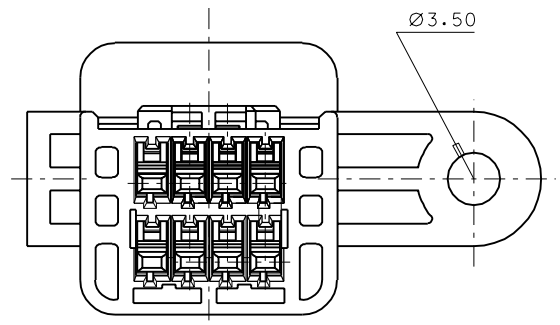
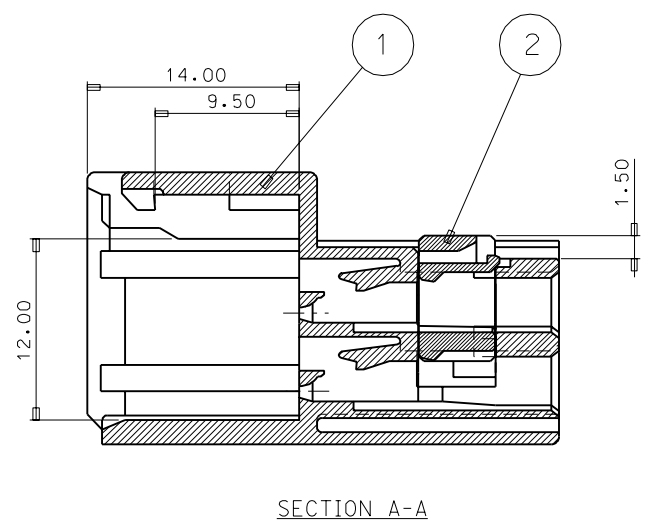
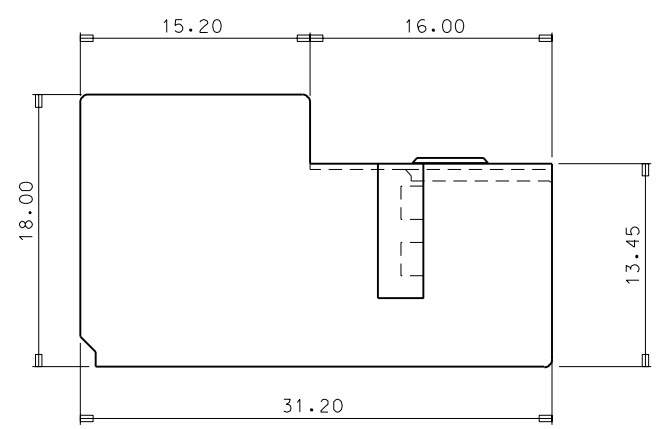
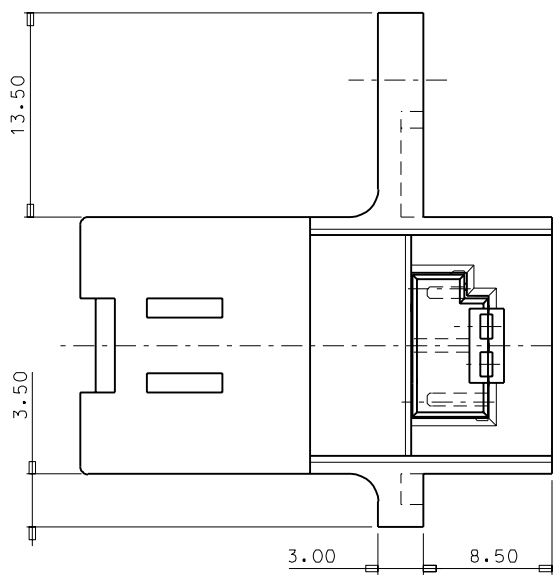
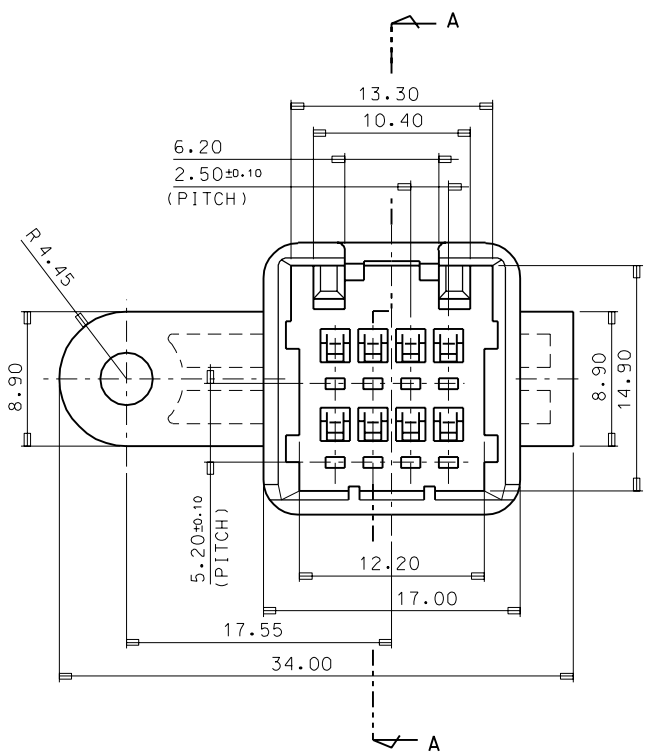
PROJECT NO.

SIMILAR ITEM

DWG. NO.  
SD-68507-003

NOTE  
 1. MATERIAL & FINISH: SEE TABLE  
 2. APPLICATION: .040 FEMALE HSG ASS'Y 8P  
 (ENG. NO.:68508-0811)

NO.	PART NO.	PART NAME	MATERIAL	REMARK
1	68507-0891	.040 F/HSG	POLYESTER	BLACK
2	68509-0883	.040 F/TPA	POLYESTER	YELLOW



1	685070811	68507-0811
NO.	MATERIAL NO.	ENG. NO.

RELEASE TO MANUFACTURING EC NO.:KOR2002-0082 DRWN:H.C.RHO CHK:H.C.RHO APPR:C.W.LEE	MAJOR ▲ = CRITICAL ▽ =	DESCRIPTION REV
A		

QUALITY SYMBOLS	GENERAL TOLERANCES: (UNLESS SPECIFIED)
	mm    INCH
4 PLACES	±0.    ±.
3 PLACES	±0.    ±.
2 PLACES	±0.2    ±.
1 PLACE	±0.3    ±.
	ANGULAR: ± 1°
DRAFT WHERE APPLICABLE MUST REMAIN WITHIN DIMENSIONS	

SCALE 3:1	DESIGN UNITS <input checked="" type="checkbox"/> mm <input type="checkbox"/> INCH
DRAWN BY & DATE H.C.RHO '01.08.14	TITLE: .040 W/W MALE HOUSING ASS'Y 8P (SCREW TYPE)
CHECKED BY & DATE B.K.CHOI '01.08.14	APPROVED BY & DATE C.W.LEE '01.08.14
CAD FILENAME 4MHSA8P	MATERIAL NO. SEE TABLE

DIMENSIONS: <input type="checkbox"/> mm <input type="checkbox"/> INCH <input checked="" type="checkbox"/> mm ONLY		SHT REVISE ON CAD ONLY	REV
THIRD ANGLE PROJECTION		MOLEX INCORPORATED KOREA	
DRAWING NO. SD-68507-004		SHEET NO. 10F1	
THIS DRAWING CONTAINS INFORMATION THAT IS PROPRIETARY TO MOLEX INCORPORATED AND SHOULD NOT BE USED WITHOUT WRITTEN PERMISSION.			SIZE B

DO NOT SCALE DRAWING  
DIMENSION IN METRIC

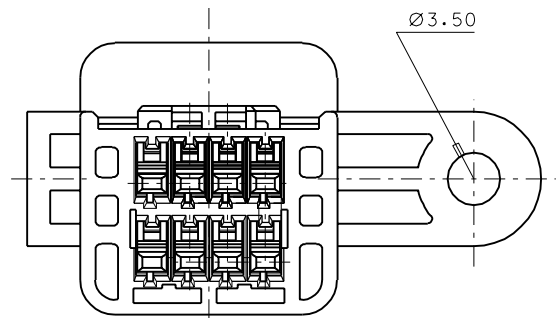
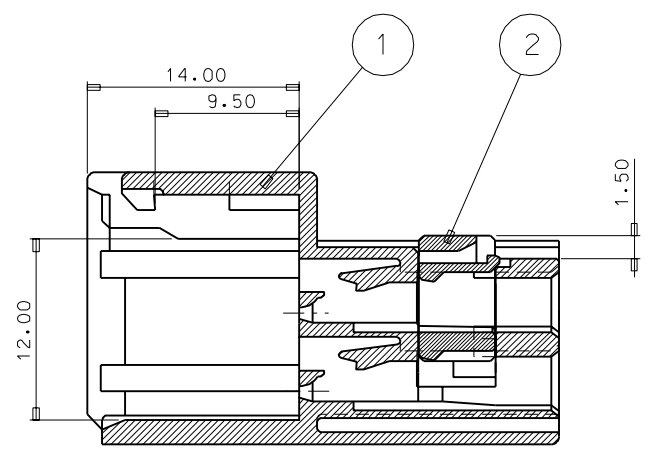
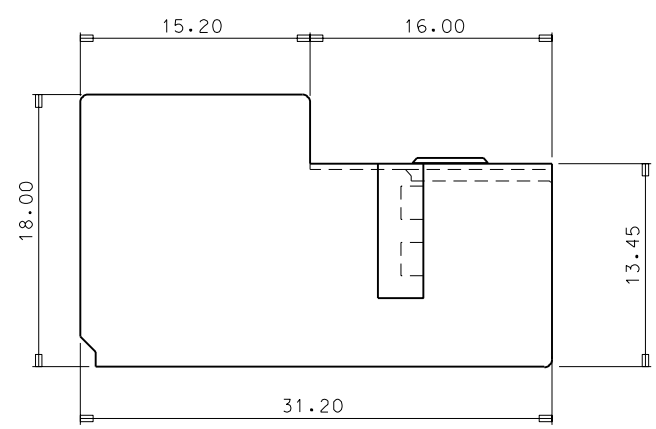
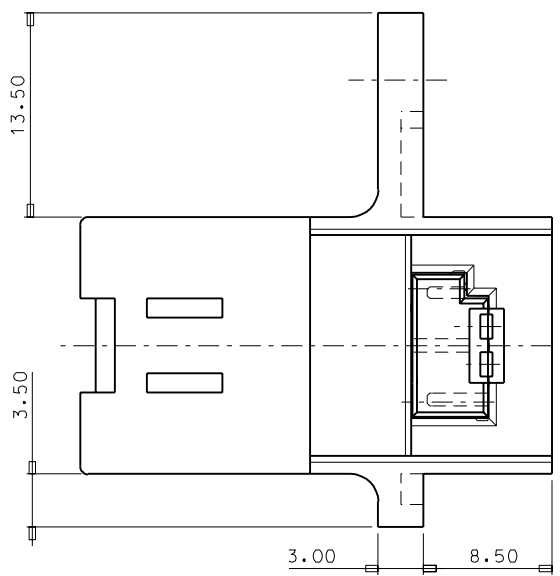
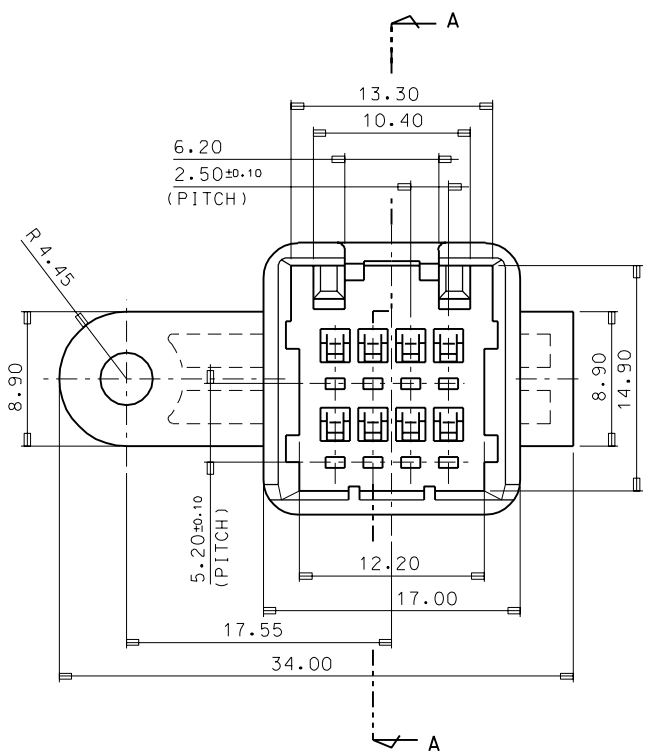
PROJECT NO.

SIMILAR ITEM

DWG. NO.  
SD-68507-003

NOTE  
 1. MATERIAL & FINISH: SEE TABLE  
 2. APPLICATION: .040 FEMALE HSG ASS'Y 8P  
 (ENG. NO.:68508-0811)

NO.	PART NO.	PART NAME	MATERIAL	REMARK
1	68507-0891	.040 F/HSG	POLYESTER	BLACK
2	68509-0883	.040 F/TPA	POLYESTER	YELLOW



1	685070811	68507-0811
NO.	MATERIAL NO.	ENG. NO.

RELEASE TO MANUFACTURING EC NO.:KOR2002-0082 DRWN:H.C.RHO CHK:H.C.RHO APPR:C.W.LEE	MAJOR ▲ = CRITICAL ▽ =	DESCRIPTION REV
A		

QUALITY SYMBOLS	GENERAL TOLERANCES: (UNLESS SPECIFIED)
	mm INCH
4 PLACES	±. ±.
3 PLACES	±0. ±.
2 PLACES	±0.2 ±.
1 PLACE	±0.3 ±.
	ANGULAR: ± 1°
DRAFT WHERE APPLICABLE MUST REMAIN WITHIN DIMENSIONS	

SCALE 3:1	DESIGN UNITS <input checked="" type="checkbox"/> mm <input type="checkbox"/> INCH
DRAWN BY & DATE H.C.RHO '01.08.14	TITLE: .040 W/W MALE HOUSING ASS'Y 8P (SCREW TYPE)
CHECKED BY & DATE B.K.CHOI '01.08.14	APPROVED BY & DATE C.W.LEE '01.08.14
CAD FILENAME 4MHSA8P	MATERIAL NO. SEE TABLE

DIMENSIONS: <input type="checkbox"/> mm <input type="checkbox"/> INCH <input checked="" type="checkbox"/> mm ONLY		SHT REVISE ON CAD ONLY
THIRD ANGLE PROJECTION		REV
MOLEX INCORPORATED KOREA		10F1
DRAWING NO. SD-68507-004		SHEET NO. 10F1
THIS DRAWING CONTAINS INFORMATION THAT IS PROPRIETARY TO MOLEX INCORPORATED AND SHOULD NOT BE USED WITHOUT WRITTEN PERMISSION.		SIZE B

DO NOT SCALE DRAWING  
DIMENSION IN METRIC

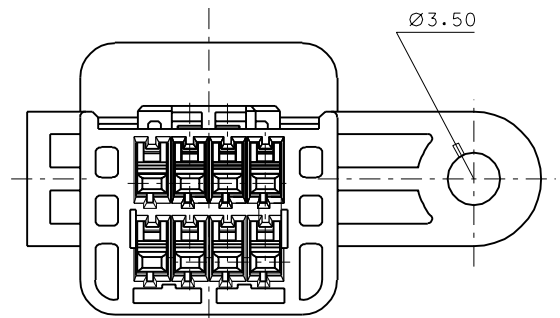
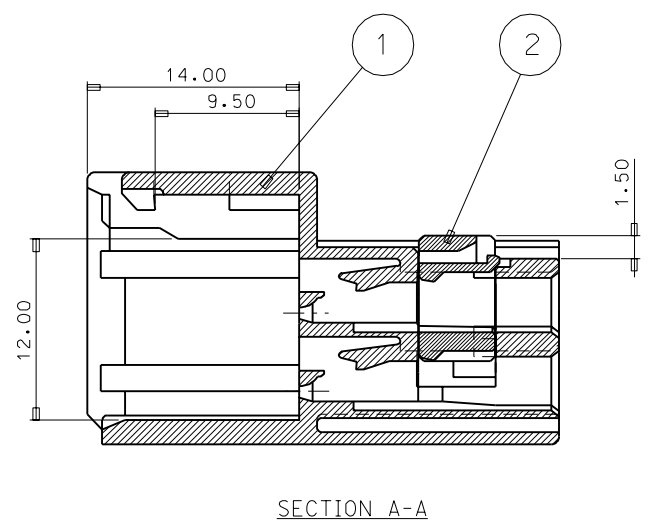
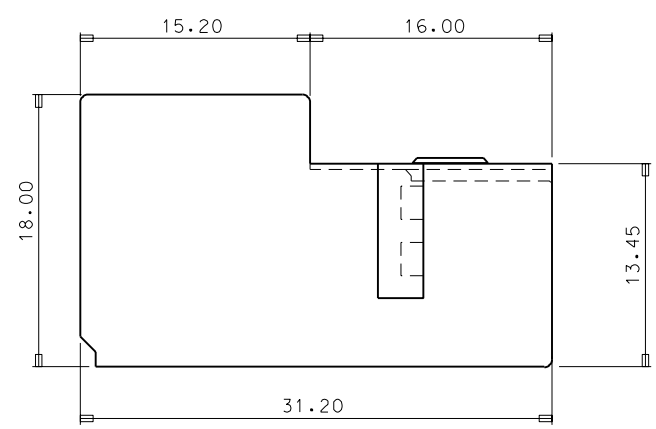
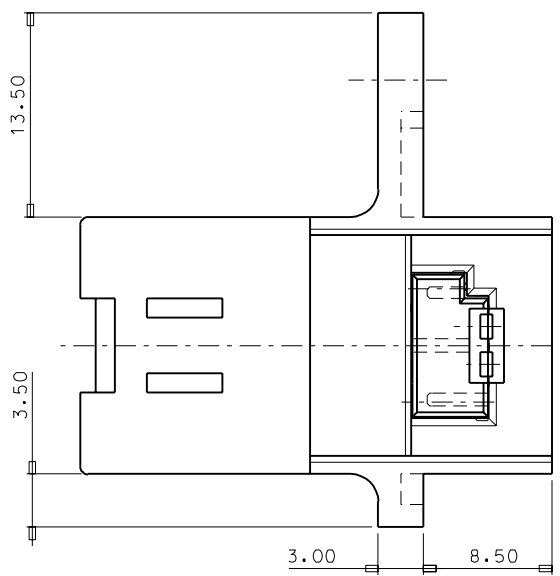
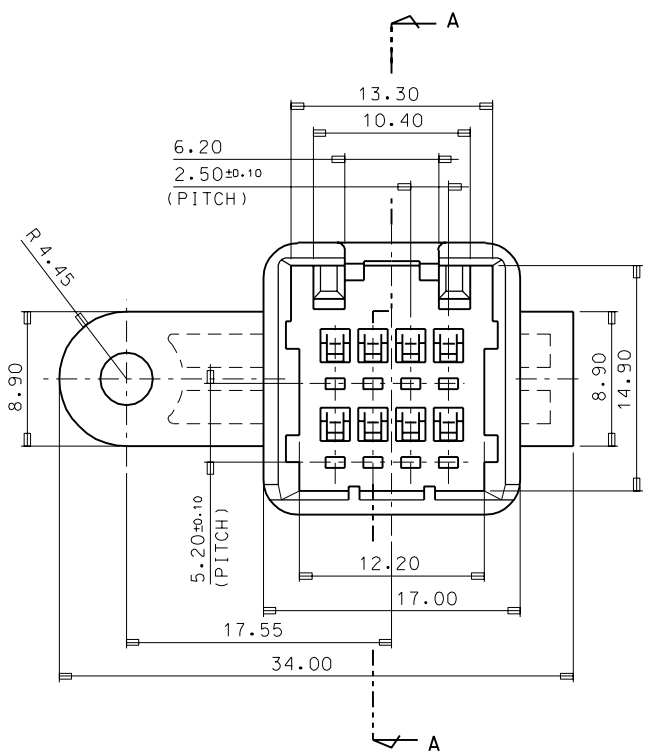
PROJECT NO.

SIMILAR ITEM

DWG. NO.  
SD-68507-003

NOTE  
 1. MATERIAL & FINISH: SEE TABLE  
 2. APPLICATION: .040 FEMALE HSG ASS'Y 8P  
 (ENG. NO.:68508-0811)

NO.	PART NO.	PART NAME	MATERIAL	REMARK
1	68507-0891	.040 F/HSG	POLYESTER	BLACK
2	68509-0883	.040 F/TPA	POLYESTER	YELLOW



1	685070811	68507-0811
NO.	MATERIAL NO.	ENG. NO.

RELEASE TO MANUFACTURING EC NO.:KOR2002-0082 DRWN:H.C.RHO CHK:H.C.RHO APPR:C.W.LEE	MAJOR ▲ = CRITICAL ▽ =	DESCRIPTION REV
A		

QUALITY SYMBOLS	GENERAL TOLERANCES: (UNLESS SPECIFIED)
	mm INCH
4 PLACES	±0. ±.
3 PLACES	±0. ±.
2 PLACES	±0.2 ±.
1 PLACE	±0.3 ±.
	ANGULAR: ± 1°
DRAFT WHERE APPLICABLE MUST REMAIN WITHIN DIMENSIONS	

SCALE 3:1	DESIGN UNITS <input checked="" type="checkbox"/> mm <input type="checkbox"/> INCH
DRAWN BY & DATE H.C.RHO '01.08.14	TITLE: .040 W/W MALE HOUSING ASS'Y 8P (SCREW TYPE)
CHECKED BY & DATE B.K.CHOI '01.08.14	APPROVED BY & DATE C.W.LEE '01.08.14
CAD FILENAME 4MHSA8P	MATERIAL NO. SEE TABLE

DIMENSIONS: <input type="checkbox"/> mm <input type="checkbox"/> INCH <input checked="" type="checkbox"/> mm ONLY		SHT REVISE ON CAD ONLY
MOLEX INCORPORATED KOREA		
DRAWING NO. SD-68507-004	SHEET NO. 10F1	
THIS DRAWING CONTAINS INFORMATION THAT IS PROPRIETARY TO MOLEX INCORPORATED AND SHOULD NOT BE USED WITHOUT WRITTEN PERMISSION.		SIZE B