

PLEASE CHECK WWW.MOLEX.COM FOR LATEST PART INFORMATION

Part Number: [0671300802](#)
Status: **Active**
Description: 1.27mm (.050") PC Card Header: Single Slot, Flush Profile, Top Mount, Right Angle, SMT, without Mylar, Tape and Reel Packaging, Lead-free

Documents:

[3D Model](#)
[Drawing \(PDF\)](#)

[RoHS Certificate of Compliance \(PDF\)](#)

General

Product Family	Memory Card Sockets
Series	67130
Button Type	N/A
Comments	Without Mylar, Tape and Reel Packaging
Component Type	Header/Socket (Host)
Product Name	CardBus, PC Card
Type	I, II, III

Physical

Card Detection Switch	N/A
Circuits (Loaded)	68
Durability (mating cycles max)	10,000
Ejector Button Side	No Ejector Button Present
Entry Angle	90° Angle (Side Entry)
Keying to Mating Part	Yes
Material - Plating Mating	Gold
Material - Plating Termination	Tin
PCB Locator	Yes
PCB Mounting Side	Normal
PCB Retention	Yes
Packaging Type	Embossed Tape on Reel
Pitch - Mating Interface (in)	0.050 In
Pitch - Mating Interface (mm)	1.27 mm
Plating min: Mating (µin)	15
Plating min: Mating (µm)	0.38
Plating min: Termination (µin)	100
Plating min: Termination (µm)	2.5
Ports	1
Temperature Range - Operating	-20°C to +85°C
Termination Interface: Style	Surface Mount

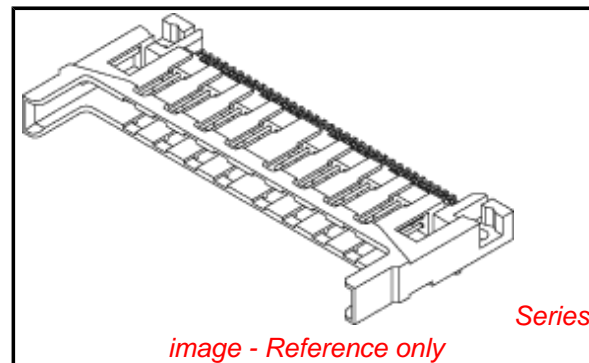
Electrical

Current - Maximum per Contact	0.5A
Voltage - Maximum	100V AC
Voltage Key	3.3V

Material Info

Reference - Drawing Numbers

Sales Drawing	SD-67130-005
---------------	--------------



EU RoHS

**ELV and RoHS
Compliant**

REACH SVHC

Contains SVHC: No

Halogen-Free

Status

Not Reviewed

China RoHS



**Need more information on product
environmental compliance?**

Email productcompliance@molex.com
 For a multiple part number RoHS Certificate of Compliance, [click here](#)

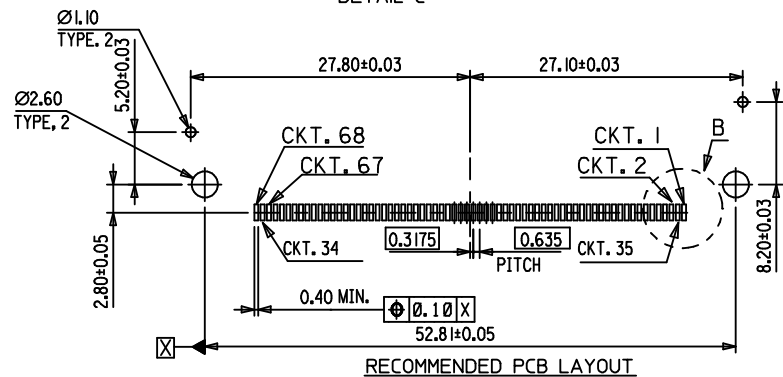
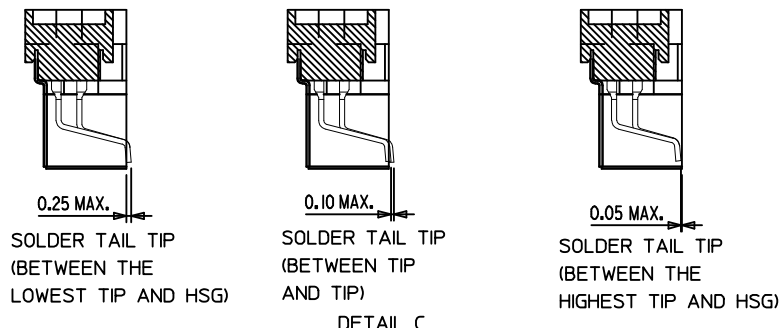
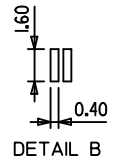
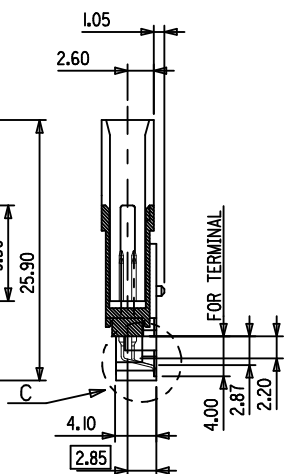
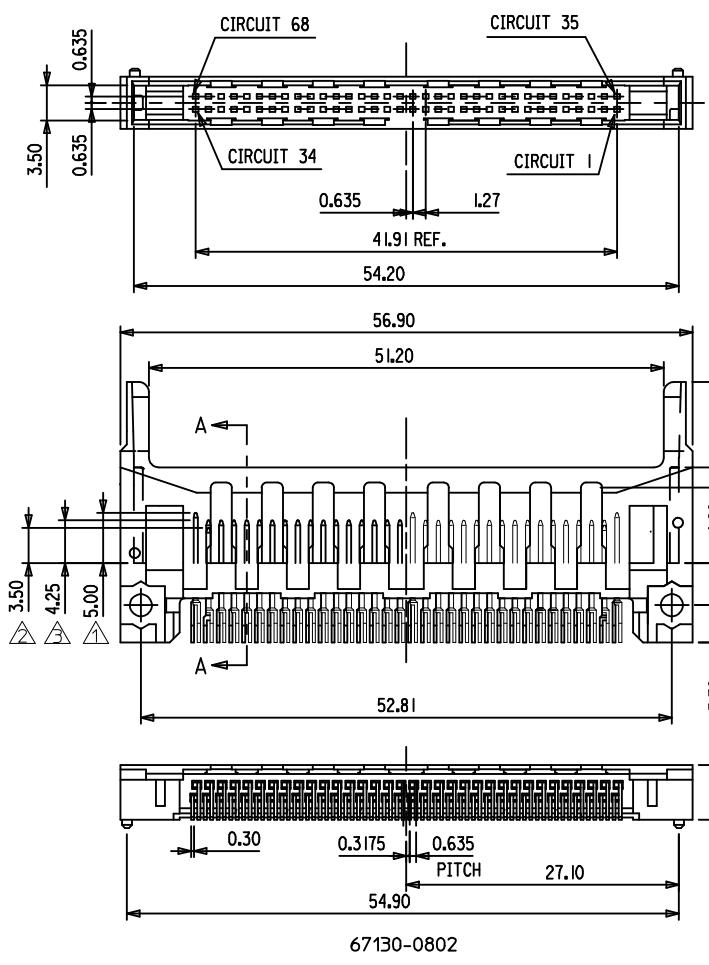
Please visit the [Contact Us](#) section for any non-product compliance questions.

Search Parts in this Series

[67130Series](#)

Use With

[67121](#) Ejector Mechanism



- NOTES:
- APPLIES TO CIRCUIT NUMBER:1,17,34,35,51,68.
 - APPLIES TO CIRCUIT NUMBER:36,67.
 - APPLIES TO CIRCUIT NUMBER:THE OTHERS.
 - COPLANARITY BETWEEN SOLDER TAILS IS 0.10mm MAX.
 - TRUE POSITION BETWEEN SOLDER TAILS IS 0.15 mm MAX.
 - PRODUCT SPEC : PS-67160-011.
 - FINISH:
SELECTIVE GOLD (Au) IN CONTACT AREA, THICKNESS=0.38 MICROMETER MINIMUM,
SELECTIVE PURE TIN IN SOLDER TAIL AREA, THICKNESS=2.50 MICROMETER MINIMUM,
NICKEL (Ni) OVERALL.
 - THE PACKAGE OF 67130-0802 PER PK-67130-002, 67130-0809 PER PK-67130-001.
 - PRODUCT COMPLIANT TO RoHS DIRECTIVE 2002/95/EC AND ELV 2000/53/EC.

67130-0809	W MYLAR	T&R
67130-0802	W/O MYLAR	TRAY
PART NUMBER	DESCRIPTION	PACKAGE

REVISED
EC NO: SH2009-0192
DRWN:XQZHANG 2008/09/25
CHKD:XJSONG 2008/09/29
APPR:HWANG 2008/10/27

QUALITY SYMBOLS
▽=0
∇=0

GENERAL TOLERANCES (UNLESS SPECIFIED)

	mm	INCH
4 PLACES	± ---	± ---
3 PLACES	± ---	± ---
2 PLACES	± 0.25	± .010
1 PLACE	± 0.25	± .010
ANGULAR ± 3 °		

DRAFT WHERE APPLICABLE MUST REMAIN WITHIN DIMENSIONS

DIMENSION STYLE
MM ONLY

DRAWN BY: JACK
DATE: 2004/11/13

CHECKED BY: HWANG
DATE: 2004/11/14

APPROVED BY: YTYAP
DATE: 2004/11/14

MATERIAL NO. SEE TABLE

SCALE 1:1

DESIGN UNITS METRIC

THIRD ANGLE PROJECTION

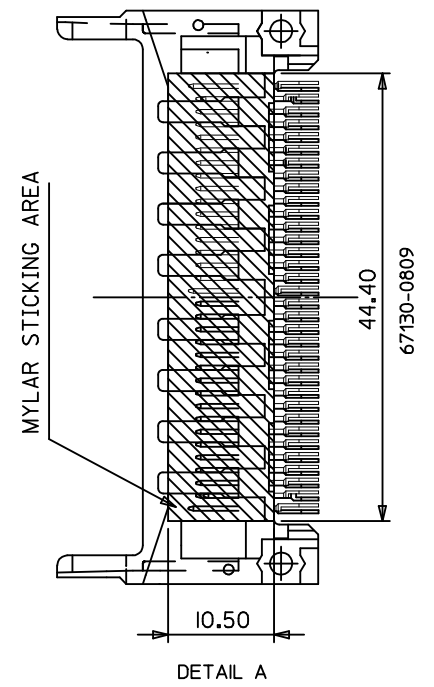
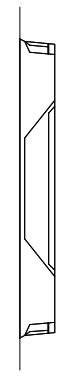
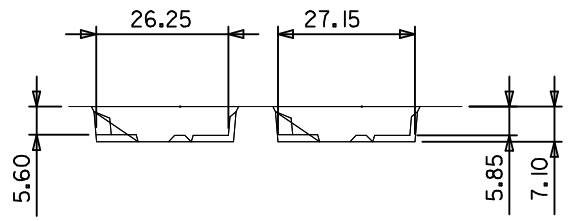
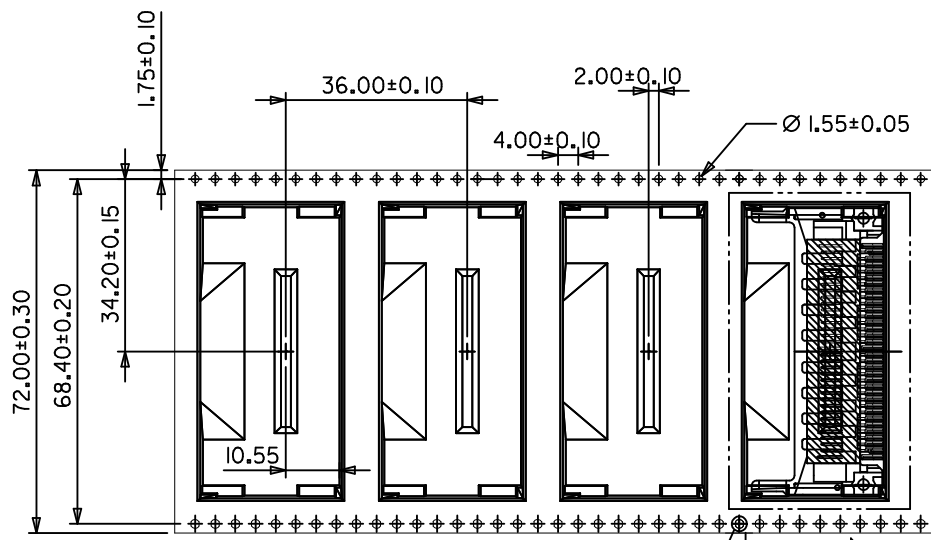
TITLE
PC CARD HEADER ASS'Y
LEAD-FREE FOR 3.3V SMT
STANDARD TYPE

MOLEX INCORPORATED

DOCUMENT NO. SD-67130-005

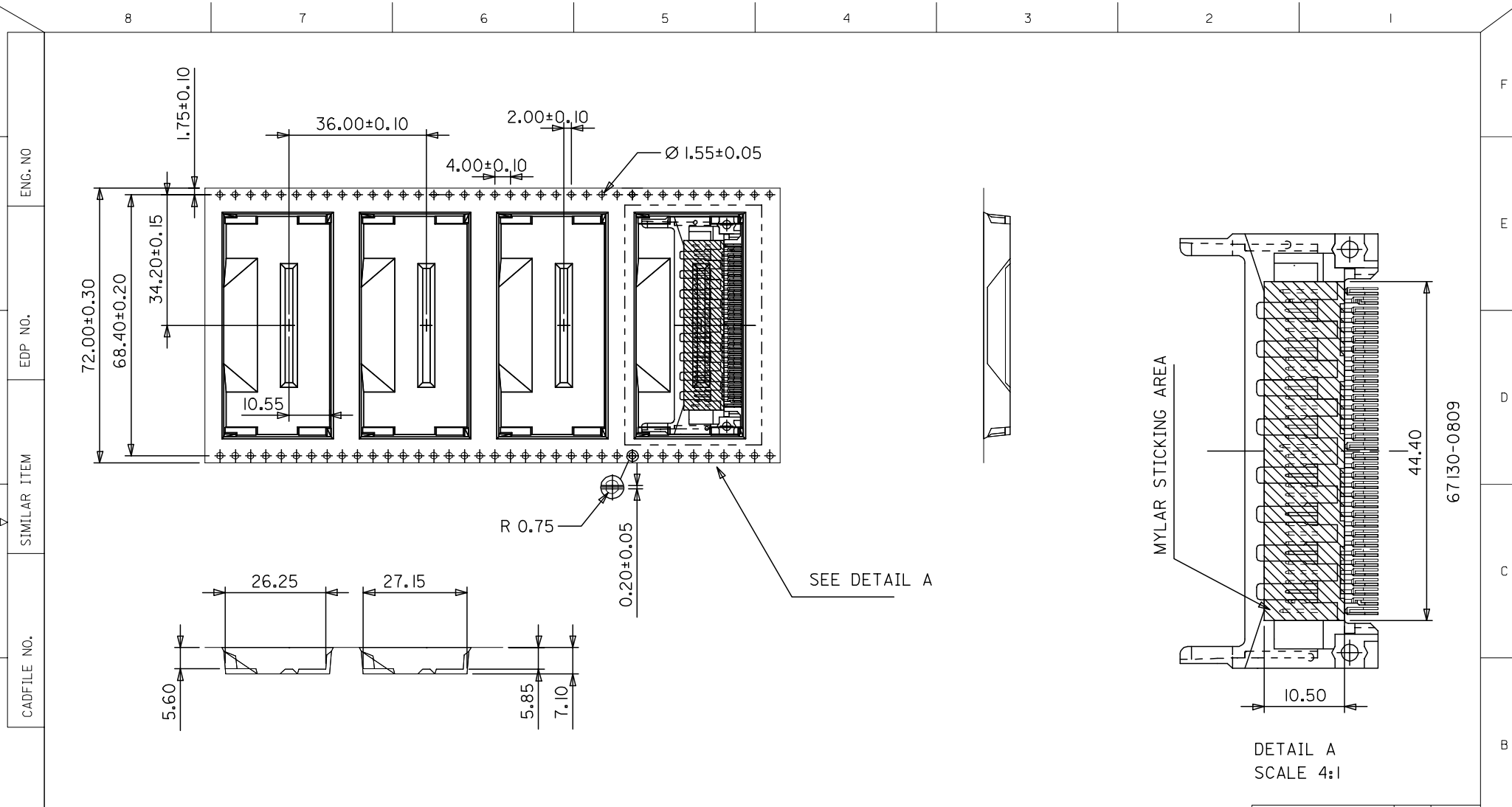
SHEET NO. 1 OF 2

THIS DRAWING CONTAINS INFORMATION THAT IS PROPRIETARY TO MOLEX INCORPORATED AND SHOULD NOT BE USED WITHOUT WRITTEN PERMISSION



SEE DETAIL A

REVISED EC NO: SH2009-0192 DRWN: XZ/HANG 2008/09/25 CHKD: XJ/SONG 2008/09/29 APPR: HWANG 2008/10/27	QUALITY SYMBOLS	GENERAL TOLERANCES (UNLESS SPECIFIED)	DIMENSION STYLE	SCALE	DESIGN UNITS	THIRD ANGLE PROJECTION																		
	$\nabla = 0$ $\square = 0$	<table border="1"> <thead> <tr> <th></th> <th>mm</th> <th>INCH</th> </tr> </thead> <tbody> <tr> <td>4 PLACES</td> <td>± ---</td> <td>± ---</td> </tr> <tr> <td>3 PLACES</td> <td>± ---</td> <td>± ---</td> </tr> <tr> <td>2 PLACES</td> <td>± 0.25</td> <td>± .010</td> </tr> <tr> <td>1 PLACE</td> <td>± 0.25</td> <td>± .010</td> </tr> <tr> <td colspan="3">ANGULAR ± 3 °</td> </tr> </tbody> </table>		mm	INCH	4 PLACES	± ---	± ---	3 PLACES	± ---	± ---	2 PLACES	± 0.25	± .010	1 PLACE	± 0.25	± .010	ANGULAR ± 3 °			MM ONLY	1:1	METRIC	
		mm	INCH																					
	4 PLACES	± ---	± ---																					
3 PLACES	± ---	± ---																						
2 PLACES	± 0.25	± .010																						
1 PLACE	± 0.25	± .010																						
ANGULAR ± 3 °																								
DESCRIPTION	DRAWN BY	DATE	TITLE																					
REV	JACK	2004/11/13	PC CARD HEADER ASS'Y LEAD-FREE FOR 3.3V SMT STANDARD TYPE																					
	HWANG	2004/11/14	MOLEX INCORPORATED																					
	YTYAP	2004/11/14	MATERIAL NO. SEE SHEET 1																					
			DOCUMENT NO. SD-67130-005																					
			SHEET NO. 2 OF 2																					
			THIS DRAWING CONTAINS INFORMATION THAT IS PROPRIETARY TO MOLEX INCORPORATED AND SHOULD NOT BE USED WITHOUT WRITTEN PERMISSION																					



DO NOT SCALE DRAWING

NEW RELEASE	EC NO.	DRWN: JACK ZHANG 2004/11/12
	CHK:	APPR:
A	REV	DESCRIPTION

QUALITY SYMBOLS	MAJOR = 0	CRITICAL = 0
GENERAL TOLERANCES: (UNLESS SPECIFIED)	mm	INCH
4 PLACES	± .	±.
3 PLACES	± .	±.
2 PLACES	±0.25	±.
1 PLACE	±0.25	±.
ANGULAR: ±3°		
DRAFT WHERE APPLICABLE MUST REMAIN WITHIN DIMENSIONS		

SCALE	DESIGN UNITS
2:1	<input checked="" type="checkbox"/> mm <input type="checkbox"/> INCH
DRAWN BY & DATE JACK ZHANG 2004/11/12	
CHECKED BY & DATE	
APPROVED BY & DATE	
CAD FILENAME	

DIMENSIONS:		SHT	REV
<input type="checkbox"/> mm <input type="checkbox"/> INCH	<input checked="" type="checkbox"/> mm <input type="checkbox"/> ONLY		REVISE ON CAD ONLY
THIRD ANGLE PROJECTION			
TITLE: PC CARD HEADER ASS'Y FOR 3.3V SMT STANDARD TYPE (LEAD-FREE)			
MOLEX INCORPORATED			
MATERIAL NO. SEE TABLE	DRAWING NO. SD-67130-005	SHEET NO. 2 / 2	
THIS DRAWING CONTAINS INFORMATION THAT IS PROPRIETARY TO MOLEX INCORPORATED AND SHOULD NOT BE USED WITHOUT WRITTEN PERMISSION.			SIZE A3