

PLEASE CHECK WWW.MOLEX.COM FOR LATEST PART INFORMATION

Part Number: [0643261006](#)
Status: **Active**
Overview: [cmc connectors](#)
Description: 2.50 mm (.098"), 4.20mm (.165") and 8.40mm, Power CMC Receptacles, 22 Circuits, Left Wire Output, Blue Coding with Rear Seal Cover

Documents:
[Drawing \(PDF\)](#)

[RoHS Certificate of Compliance \(PDF\)](#)

General

Product Family	Crimp Housings
Series	64326
Comments	* Current tested on a fully loaded connector, current for temperature increase of 40°C. Current max = 26.0A for 2.8mm Terminal (5.0mm ² wire), 4.5A for 0.635mm Terminal (0.75mm ² wire)
Overview	cmc connectors
Product Name	CMC

Physical

Circuits (maximum)	22
Circuits Detail	2 x 2.80mm (.110") terminals high current, 20 x 0.635mm (.025") terminals signal pin
Color - Resin	Brown
Gender	Female
Glow-Wire Compliant	No
Keying to Mating Part	Yes
Lock to Mating Part	Yes
Material - Resin	Polyester
Number of Rows	4
Packaging Type	Carton
Panel Mount	No
Pitch - Mating Interface (in)	0.098 In, 0.165 In, 0.330 In
Pitch - Mating Interface (mm)	2.50 mm, 4.20 mm, 8.40 mm
Polarized to Mating Part	Yes
Stackable	No
Temperature Range - Operating	-40°C to +125°C

Electrical

Current - Maximum per Contact	26A, 4.5A
-------------------------------	-----------

Material Info

Reference - Drawing Numbers

Application Specification	AS-64326-001
Sales Drawing	SD-64326-001, SD-64326-002

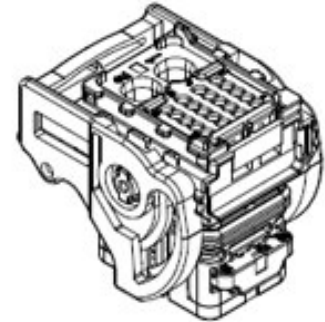


image - Reference only

Series

EU RoHS

ELV and RoHS Compliant
REACH SVHC Not Reviewed
Halogen-Free Status Not Reviewed

China RoHS



Need more information on product environmental compliance?

Email productcompliance@molex.com
 For a multiple part number RoHS Certificate of Compliance, [click here](#)

Please visit the [Contact Us](#) section for any non-product compliance questions.

Search Parts in this Series
[64326Series](#)

Mates With

No free available mating header, please contact Product Manager

Use With

Terminals [64322](#) CP 0.635mm (.025"), [64324](#) CP 2.80mm (.110"), [643251010](#)
 Blind Plugs for CP 0.635mm (.025") cavity [643251091](#) Seal Plug for CP 2.80mm (.110") cavity, Wire Cap [643191201](#)

PLEASE CHECK WWW.MOLEX.COM FOR LATEST PART INFORMATION

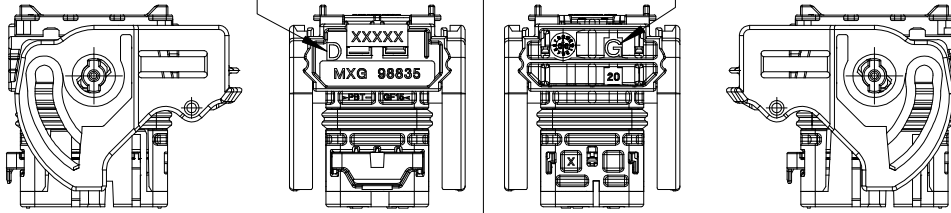
**FEMALE MODULE 22 WAY
WITH REAR SEAL COVER CMC 22 WAY**

FEMALE MODULE RIGHT WIRE OUTPUT

RIGHT MARKING: "D"

FEMALE MODULE LEFT WIRE OUTPUT

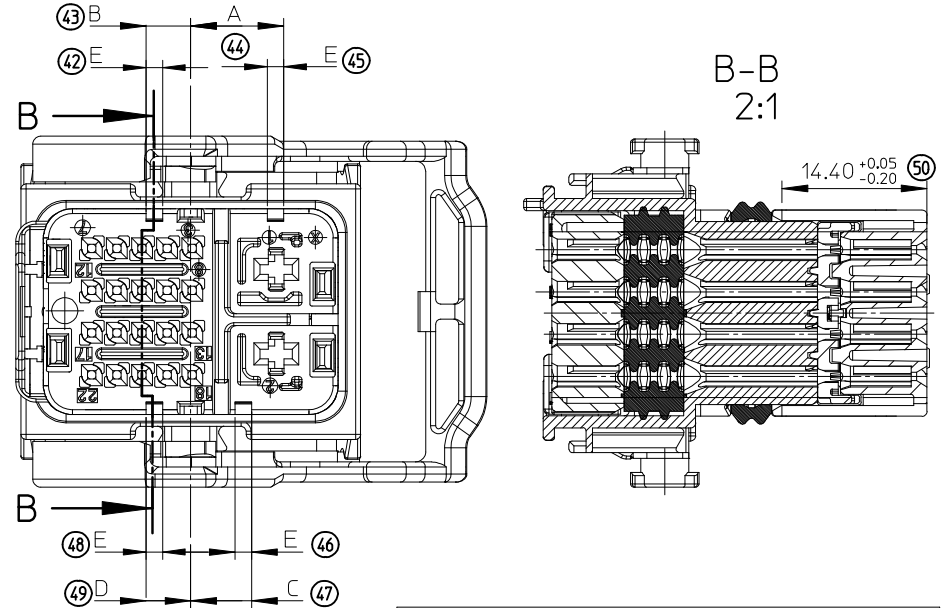
LEFT MARKING: "G"



MOLEX PART NUMBERS	COLOR	MOLEX PART NUMBERS	COLOR
0643261001	BLACK	0643261002	BLACK
0643261005	BROWN	0643261006	BROWN
0643261009	BLUE	0643261010	BLUE

ASSOCIATED TERMINALS

CAVITIES N°	TERMINAL	PLATING	MOLEX P/N*	WIRE SEAL P/N*	MIN / MAX WIRE INSULATION DIAMETER
1 to 2	CP2.8 0.50mm2 to 1mm2	Tin plated	0643241049	0643251162	Ø1.40 min / Ø2.15 Max
		Gold plated	0643241149		
	CP2.8 >1mm2 to 2mm2	Tin plated	0643241039	0643251175	Ø2.10 min / Ø2.80 Max
		Gold plated	0643241139		
	CP2.8 >2mm2 to 3mm2	Tin plated	0643241029	0643251188	Ø2.65 min / Ø3.45 Max
		Gold plated	0643241129		
CP2.8 >3mm2 to 5mm2	Tin plated	0643241019	0643251196	Ø3.40 min / Ø4.00 Max	
	Gold plated	0643241119			
3 to 22	CP0.6 0.35mm2	Tin plated	0643221019	/	Ø1.25 min / Ø1.40 Max
		Gold plated	0643221229		
	CP0.6 0.50mm2	Tin plated	0643221039	/	Ø1.40 min / Ø1.70 Max
		Gold plated	0643221239		
	CP0.6 0.75mm2	Tin plated	0643221029	/	Ø1.60 min / Ø1.90 Max
		Gold plated	0643221219		

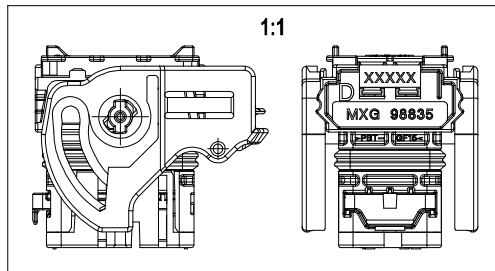


CODINGS

COLOR	A ^{+0.10} / ₀	B ^{+0.10} / ₀	C ^{+0.10} / ₀	D ^{+0.10} / ₀	E ^{+0.10} / ₀
BLACK	9.2	4.4	6.0	4.4	1.6
BROWN	6.0	7.6	9.2	9.2	1.6
BLUE	7.55	6.0	9.15	6.0	1.6

NOTES:

- FOR ILLUSTRATION PURPOSE THE FEMALE MODULE SHOWN IS THE RIGHT WIRE OUTPUT "D", CODING BLACK
- APPLICATION SPECIFICATION: AS-64326-001
- THE ASSEMBLED FEMALE MODULE IS ASSEMBLED WITH THE COVER P/N°0643191201
- FOR 0.6 CAVITIES USE PLUGS P/N°:0643251010
- FOR 2.8 CAVITIES USE CAP SEALS P/N°: 0643251091
- PART WEIGHT: 31.000 g



FIRST RELEASE EC NO: G2009-0122 DRAWING: DESBRUERES 2008/12/19 CHKD: O. PLESSIS 2008/12/19 APPR: CBOUCHAN 2009/01/12	REV	DESCRIPTION
	1	QUALITY SYMBOL

GENERAL TOLERANCES (UNLESS SPECIFIED)

	mm	INCH
4 PLACES	± ---	± ---
3 PLACES	± ---	± ---
2 PLACES	± 0.05	± ---
1 PLACE	± 0.1	± ---
ANGULAR ± 2 °		

DRAFT WHERE APPLICABLE
MUST REMAIN
WITHIN DIMENSIONS

DIMENSION STYLE
MM ONLY

DRAWN BY	DATE
G. DESBRUERES	2008/10/02
CHECKED BY	DATE
O. PLESSIS	2008/10/02
APPROVED BY	DATE
C. BOUCHAN	2008/10/03

SCALE
1:1

DESIGN UNITS
METRIC

FIRST ANGLE
PROJECTION

**CMC FEMALE MODULE 22W
GENERIC SALES DRAWING**



MOLEX INCORPORATED

SEE CHARTS

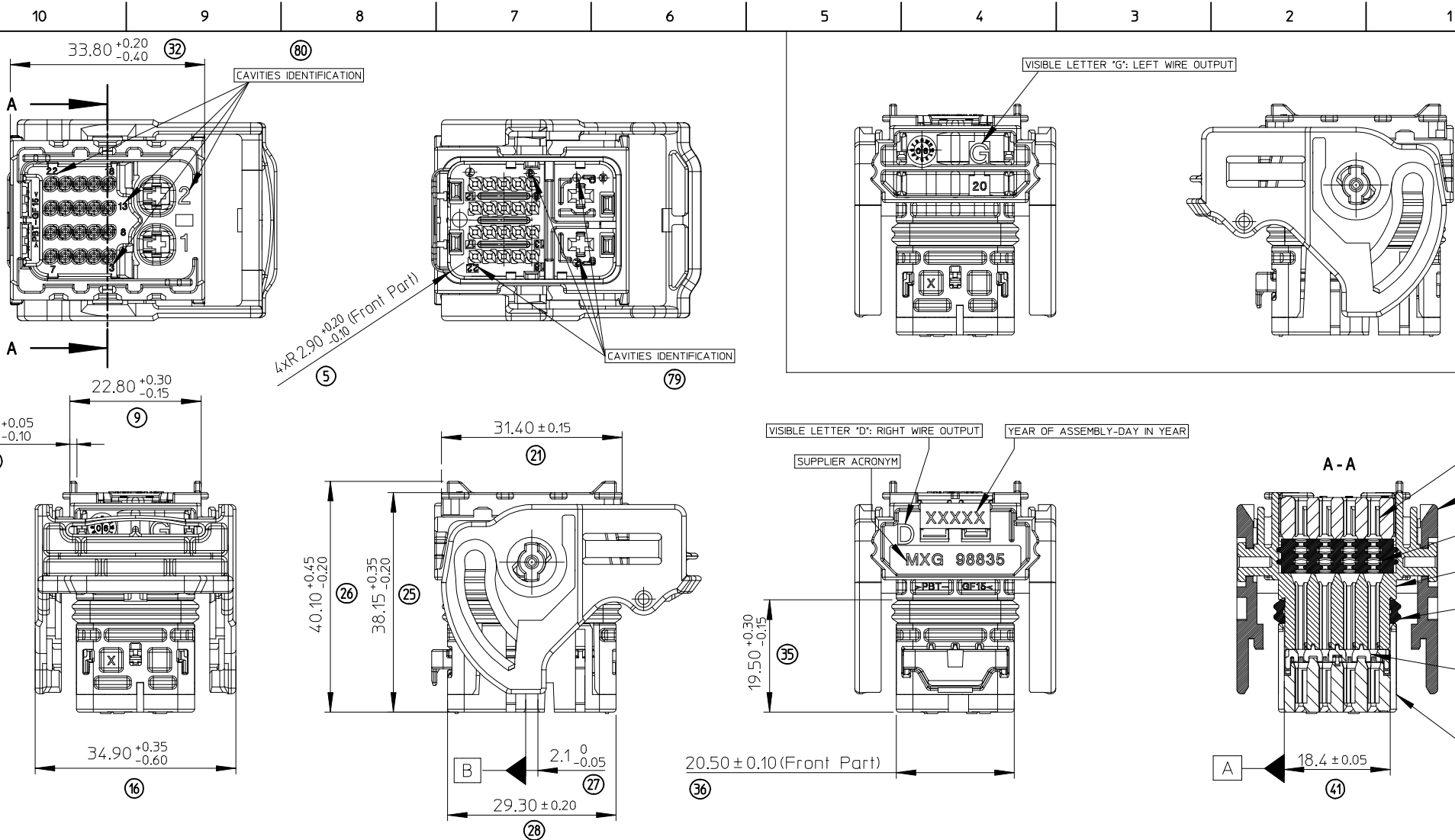
DOCUMENT NO.

SD-64326-001

SHEET NO.

1 OF 3

THIS DRAWING CONTAINS INFORMATION THAT IS PROPRIETARY TO MOLEX INCORPORATED AND SHOULD NOT BE USED WITHOUT WRITTEN PERMISSION



POS.	QTY	P/N*	DESIGNATION	MATERIAL	COLOR
7	1	0989930241	LEVER SIZE T2	>PBT-GF30<	BLACK
6	1	0986560001	PERIMETER SEAL	SILICONE	BLUE
5	1	0988350007	REAR SEAL COVER 22 way	>PBT-GF15 FR(17)< CLASS UL-V0	GREY
4	1	0988350006	BACK SEAL	SILICONE	GREEN
3	1	0988350005	T.P.A	>PBT-GF15 FR(17)< CLASS UL-V0	YELLOW
2	1	0988350004	HOUSING TOP PART	>PBT-GF15 FR(17)< CLASS UL-V0	BROWN
1	1	0988350001	HOUSING BOTTOM PART	>PBT-GF15 FR(17)< CLASS UL-V0	BLACK
		0988350002			BROWN
		0988350003			BLUE

FIRST RELEASE
 EC NO: G2009-0172Z
 DRWNG: GDESBRUERES 2008/12/19
 CHK'D: O. PLESSIS 2008/12/19
 APPR: CBOUCHAN 2009/01/12

QUALITY SYMBOL
 ▲ ±0
 ▼ ±0

GENERAL TOLERANCES (UNLESS SPECIFIED)	
mm	INCH
4 PLACES	± --- ± ---
3 PLACES	± --- ± ---
2 PLACES	± 0.05 ± ---
1 PLACE	± 0.1 ± ---
ANGULAR ± 2 °	

DRAFT WHERE APPLICABLE
 MUST REMAIN WITHIN DIMENSIONS

DIMENSION STYLE	
MM ONLY	
DRAWN BY	DATE
G. DESBRUERES	2008/10/02
CHECKED BY	DATE
O. PLESSIS	2008/10/02
APPROVED BY	DATE
C. BOUCHAN	2008/10/03
MATERIAL NO.	
SEE SHEET 1	

SCALE	DESIGN UNITS	FIRST ANGLE PROJECTION
1.5:1	METRIC	☉ ▷
TITLE		
CMC FEMALE MODULE 22W GENERIC SALES DRAWING		
MOLEX INCORPORATED		SHEET NO.
DOCUMENT NO.		2 OF 3
SD-64326-001		

FEMALE MODULE OVERALLS - T.P.A IN POSITION TO FIT TERMINALS

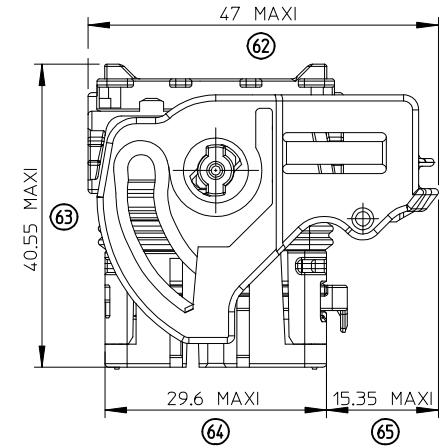
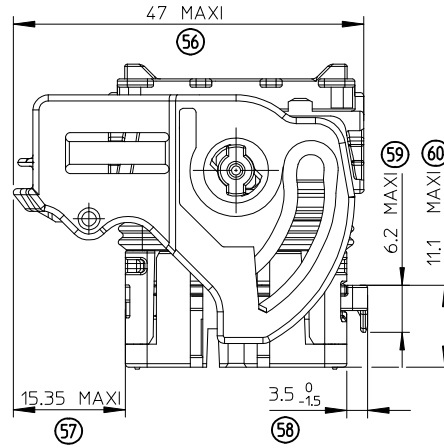
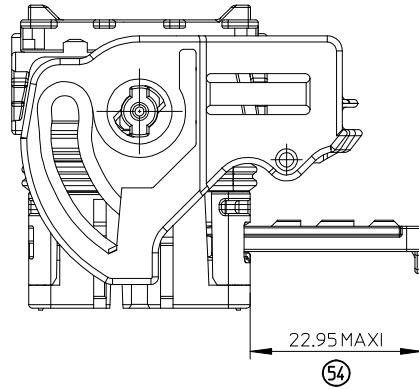
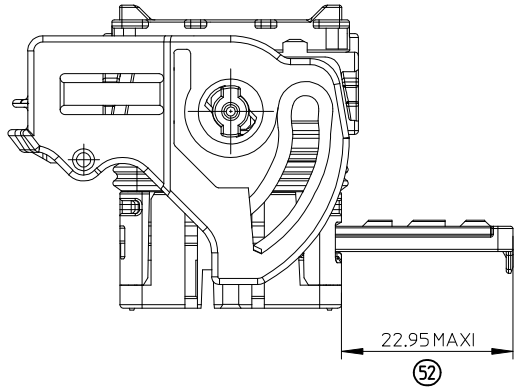
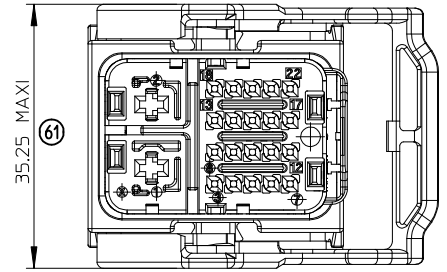
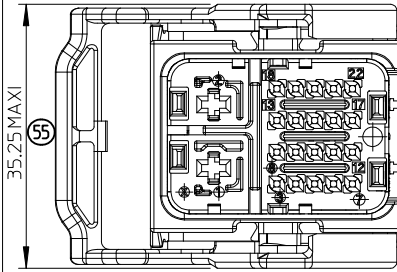
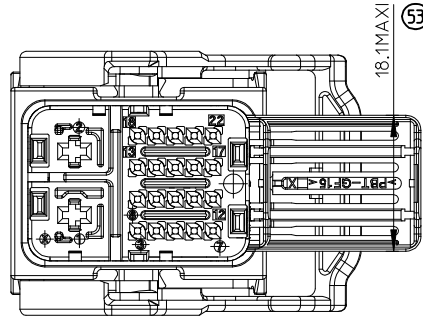
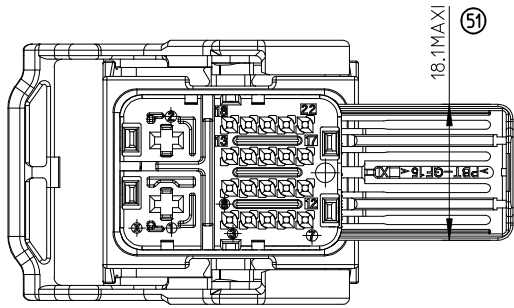
FEMALE MODULE OVERALLS - T.P.A IN DELIVERY POSITION

FEMALE MODULE - RIGHT WIRE OUTPUT

FEMALE MODULE - LEFT WIRE OUTPUT

FEMALE MODULE - RIGHT WIRE OUTPUT

FEMALE MODULE - LEFT WIRE OUTPUT



FIRST RELEASE	
EC NO: G2009-0122	DRWN: DESBRUERES 2008/12/19
CHKD: O.PLESSIS 2008/12/19	APPR: CBOUCHAN 2009/01/12
REV	DESCRIPTION
1	QUALITY SYMBOL

GENERAL TOLERANCES (UNLESS SPECIFIED)	
	mm
	INCH
4 PLACES	± ---
3 PLACES	± ---
2 PLACES	± 0.05
1 PLACE	± 0.1
ANGULAR ± 2 °	
DRAFT WHERE APPLICABLE MUST REMAIN WITHIN DIMENSIONS	

DIMENSION STYLE	
MM ONLY	
DRAWN BY	DATE
G. DESBRUERES	2008/10/02
CHECKED BY	DATE
O. PLESSIS	2008/10/02
APPROVED BY	DATE
C. BOUCHAN	2008/10/03
MATERIAL NO.	
SEE SHEET 1	
SIZE	
A3	

SCALE	DESIGN UNITS	FIRST ANGLE PROJECTION
1:1	METRIC	
TITLE		
CMC FEMALE MODULE 22W GENERIC SALES DRAWING		
molex MOLEX INCORPORATED		
DOCUMENT NO.	SHEET NO.	
SD-64326-001	3 OF 3	
THIS DRAWING CONTAINS INFORMATION THAT IS PROPRIETARY TO MOLEX INCORPORATED AND SHOULD NOT BE USED WITHOUT WRITTEN PERMISSION		

