

**PLEASE CHECK WWW.MOLEX.COM FOR LATEST PART INFORMATION**

**Part Number:** [0591100478](#)  
**Status:** **Active**  
**Description:** 0.80mm (.031") Pitch Shielded I/O Receptacle, Right Angle, SMT, Lead-free

**Documents:**

[3D Model](#) [Product Specification PS-59110-012 \(PDF\)](#)  
[Drawing \(PDF\)](#) [RoHS Certificate of Compliance \(PDF\)](#)

**General**

Product Family	I/O Connectors
Series	<a href="#">59110</a>
Application	Wire-to-Board
Component Type	Receptacle
Product Name	N/A
Type	N/A

**Physical**

Circuits (Loaded)	4
Circuits (maximum)	4
Color - Resin	Black
Lock to Mating Part	Yes
Material - Metal	Brass
Material - Plating Mating	Gold
Material - Plating Termination	Tin
Material - Resin	High Temperature Thermoplastic
Orientation	Right Angle
PCB Locator	Yes
PCB Retention	Yes
Packaging Type	Embossed Tape on Reel
Panel Mount	No
Pitch - Mating Interface (in)	0.031 In
Pitch - Mating Interface (mm)	0.80 mm
Plating min: Mating (µin)	30.4
Plating min: Mating (µm)	0.76
Plating min: Termination (µin)	40
Plating min: Termination (µm)	1
Polarized to Mating Part	Yes
Surface Mount Compatible (SMC)	N/A
Temperature Range - Operating	0°C to +50°C
Termination Interface: Style	Surface Mount
Wire Size AWG	N/A

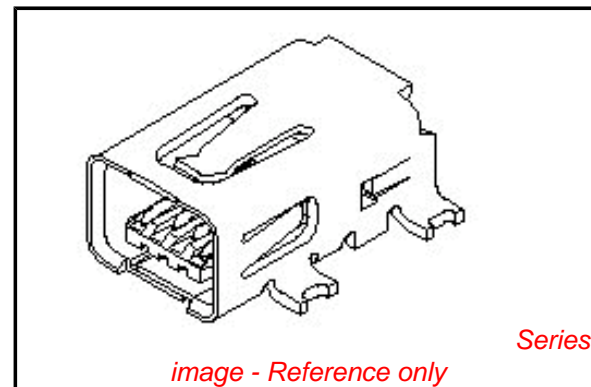
**Electrical**

Current - Maximum per Contact	1.5A
Shielded	Yes
Voltage - Maximum	30V

**Material Info**

**Reference - Drawing Numbers**

Product Specification	PS-59110-012
Sales Drawing	SD-59110-006, SD-59110-007



**EU RoHS**

**ELV and RoHS  
Compliant**  
**REACH SVHC**  
 Not Reviewed  
**Halogen-Free**  
**Status**  
**Not Reviewed**

**China RoHS**



**Need more information on product  
environmental compliance?**

Email [productcompliance@molex.com](mailto:productcompliance@molex.com)  
 For a multiple part number RoHS Certificate of  
 Compliance, [click here](#)

Please visit the [Contact Us](#) section for any  
 non-product compliance questions.

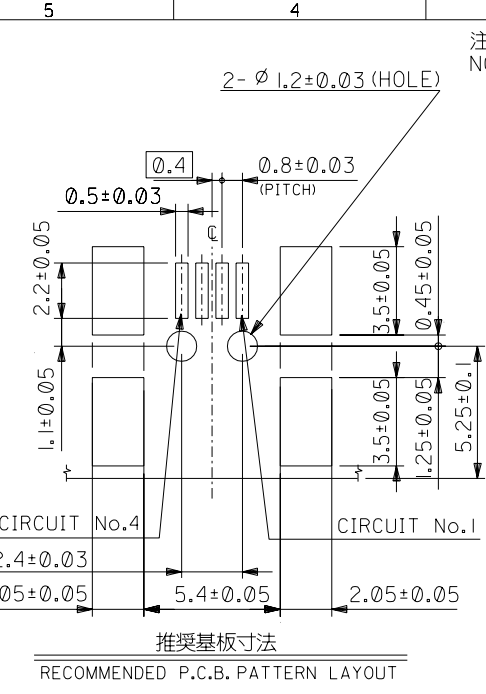
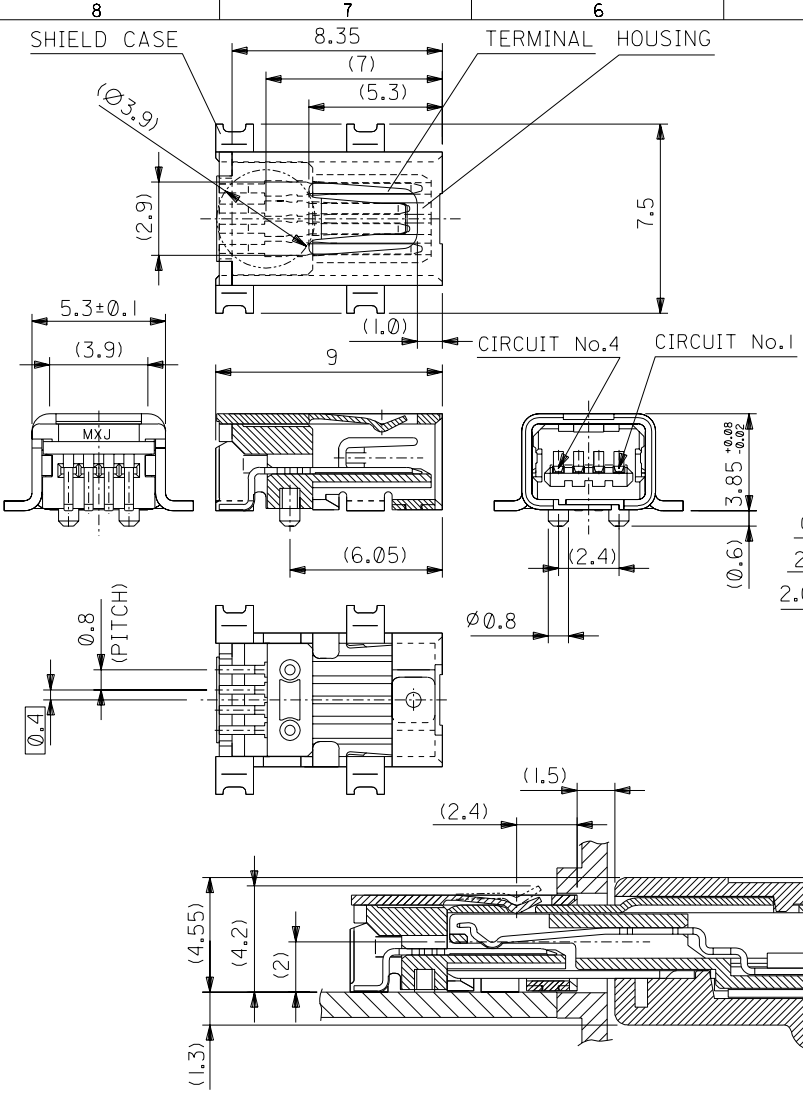
**Search Parts in this Series**

[59110Series](#)

**Mates With**

[59204a](#)

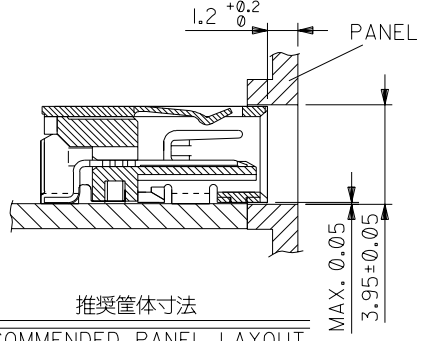
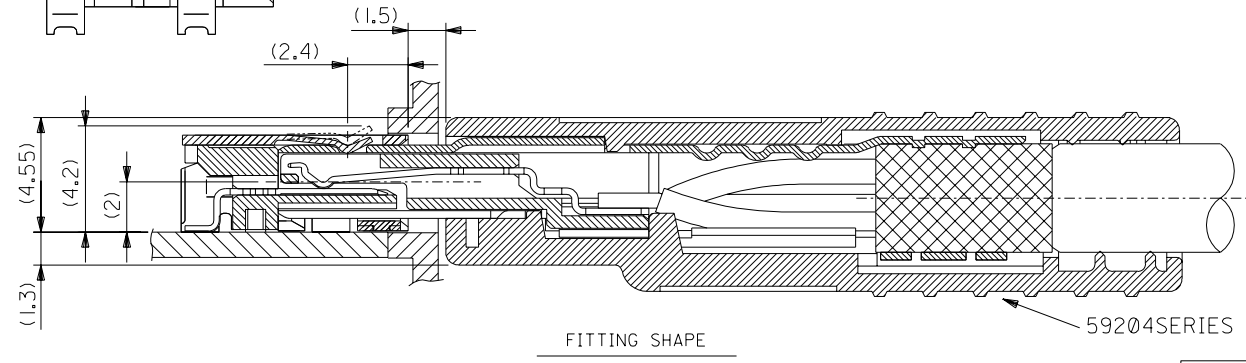
DWG. NO. SD-59110-006



注記 NOTES

1. 材質 MATERIAL  
ハウジング: 液晶ポリマー 黒色 UL94V-0  
HOUSING: LIQUID CRYSTAL POLYMER BLACK UL94V-0  
ターミナル: 黄銅 (t=0.254)  
TERMINAL: BRASS (t=0.254)  
シールド ケース: 銅合金 (t=0.4)  
SHIELD CASE: COPPER ALLOY (t=0.4)
2. メッキ仕様 PLATING  
ターミナル TERMINAL  
接点部: 金メッキ 0.76μm MIN.  
CONTACT AREA: GOLD 0.76MICRO METER MIN.  
半田付け部: 錫メッキ 1.0μm MIN.  
SOLDER TAIL AREA: TIN 1.0MICRO METER MIN.  
下地部: ニッケルメッキ 1.5μm MIN.  
UNDER PLATING: NICKEL 1.5MICRO METER MIN.  
シールド ケース SHIELD CASE  
: 錫メッキ 1.0μm MIN.  
: TIN 1.0MICRO METER MIN.  
下地部: ニッケルメッキ 4.0μm MIN.  
UNDER PLATING: NICKEL 4.0MICRO METER MIN.
3. テール、ネール平坦度は 0.1mm MAX.  
TAIL, NAIL COPLANARITY 0.1mm MAX.
4. 嵌合相手: 59204シリーズ  
MATING MATERIAL: 59204 SERIES
5. 本製品は59110-\*\*-21の鉛フリー品である。  
THIS PRODUCT IS LEAD FREE OF 59110-\*\*-21.

推奨基板寸法  
RECOMMENDED P.C.B. PATTERN LAYOUT

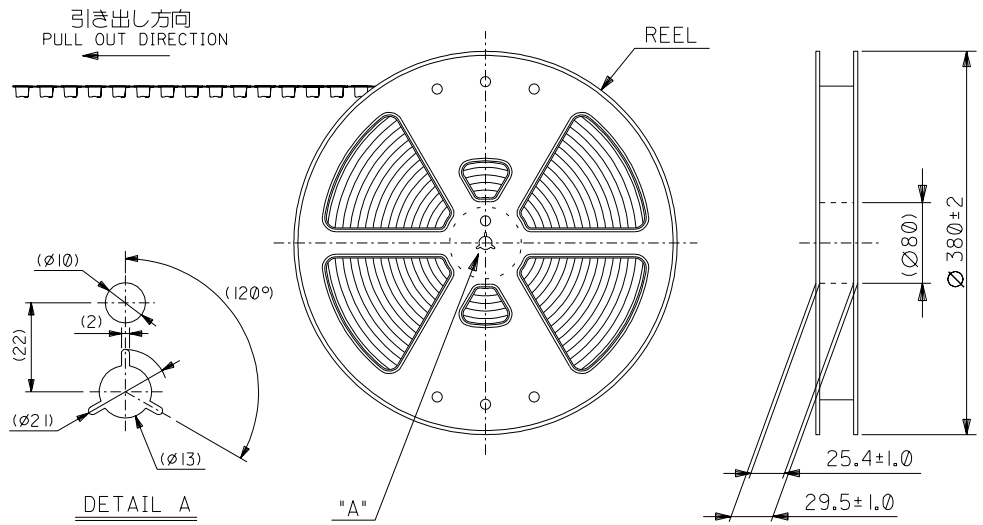


推奨筐体寸法  
RECOMMENDED PANEL LAYOUT

DO NOT SCALE DRAWING

EC NO. DRWN: CHK: APPR:	EC NO. DRWN: CHK: APPR:	EC NO. DRWN: CHK: APPR:	EC NO. DRWN: CHK: APPR:	EC NO. DRWN: CHK: APPR:	RELEASED EC NO. J2004-3869 DRWN: Y.WADA '04/04/19 CHK: M.SASAO '04/04/19 APPR: M.SASAO '04/04/19	MATERIAL 材料 SEE NOTES	GENERAL TOLERANCES: (UNLESS SPECIFIED) 一般公差	SCALE 5 - 1 <input checked="" type="checkbox"/> mm <input type="checkbox"/> INCH	MODEL NO. DESIGN UNITS <input checked="" type="checkbox"/> mm <input type="checkbox"/> INCH	59110-**-29	DIMENSIONS: <input type="checkbox"/> mm <input type="checkbox"/> INCH <input checked="" type="checkbox"/> mm ONLY	SHT REV
					DESCRIPTION FINISH 仕上げ SEE NOTES	10 UNDER 未満 ±0.2	DRAWN BY & DATE Y.WADA '04/04/19	TITLE: 0.8 I/O CONN. REC. ASS'Y -LEAD FREE-				
					WIRE RANGE 適用電線範囲 — # —	10 OVER 30 UNDER 未満 ±0.25	CHECKED BY & DATE M.SASAO '04/04/19					
					INS. RANGE 被覆外径 — # —	30 OVER 以上 ±0.3	APPROVED BY & DATE M.SASAO '04/04/19					
						ANGLE 角度 ±3°	CAD FILENAME SD-59110-006.S01					
							THIS DRAWING CONTAINS INFORMATION THAT IS PROPRIETARY TO MOLEX INCORPORATED AND SHOULD NOT BE USED WITHOUT WRITTEN PERMISSION.					SIZE B

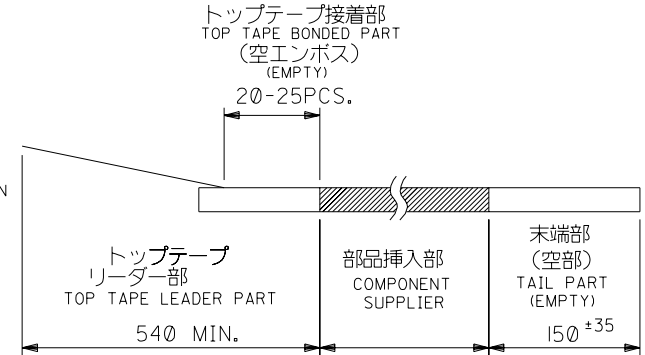
DWG. NO. SD-59110-007



引き出し方向  
PULL OUT DIRECTION

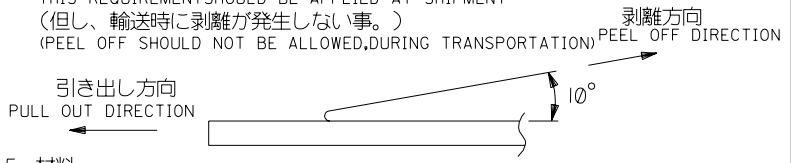
NOTES

- 59110-0429の詳細はSD-59110-006参照  
IN THE PACKAGE PART NO.59110-0429 DETAILED, SEE SD-59110-006
- 梱包数量: 1000 個/リール  
NUMBER OF CONNECTORS: 1000 PCS/REEL
- リードテープ長さ  
LEAD TAPE LENGTH



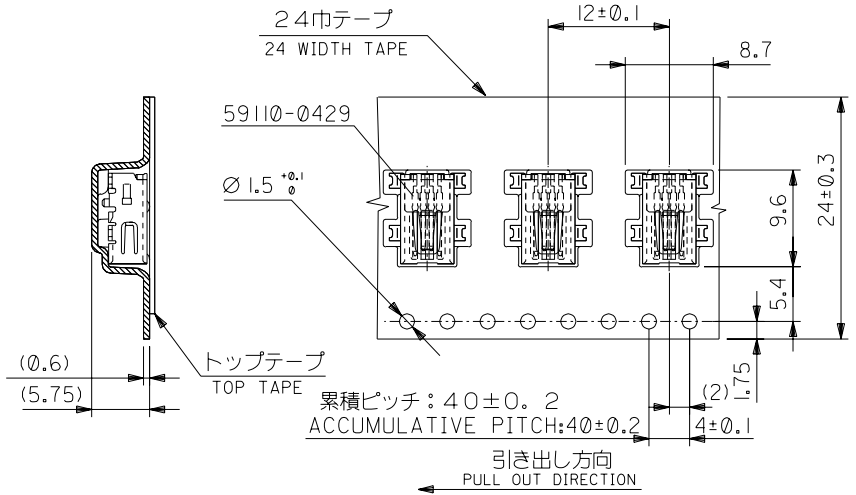
- トップテープの剥離強度: 0.1 ~ 1.3 N { 10 ~ 130gf }  
(剥離方向は下図参照) キャリアテープ幅: 2.4mm  
CARRIER TAPE WIDTH  
PEEL-OFF FORCE OF TOP TAPE: 0.1 ~ 1.3N { 10 ~ 130gf }  
(PEELING DIRECTION AS SHOWN IN FOLLOWING FIG.)

尚、本規格値は、出荷時に適用。  
THIS REQUIREMENT SHOULD BE APPLIED AT SHIPMENT  
(但し、輸送時に剥離が発生しない事。)  
(PEEL OFF SHOULD NOT BE ALLOWED DURING TRANSPORTATION)



- 材料  
MATERIAL  
キャリアテープ: ポリプロピレン  
CARRIER TAPE: POLYPROPYLENE  
トップテープ: ポリエステル, ポリエチレン  
TOP TAPE: POLYESTER, POLYETHYLENE  
リール: ポリスチレン  
REEL: POLYSTYRENE

- 本製品は59110-\*\*-\*\*28の鉛フリー品である。  
THIS PRODUCT IS LEAD FREE OF 59110-\*\*-\*\*28.



エンボステープ内の製品の向き  
DIRECTION OF CONNECTOR IN EMBOSSED TAPE

DO NOT SCALE DRAWING

EC NO. DRWN: CHK: APPR:	EC NO. DRWN: CHK: APPR:	EC NO. DRWN: CHK: APPR:	EC NO. DRWN: CHK: APPR:	EC NO. DRWN: CHK: APPR:	RELEASED EC NO. J2004-3869 DRWN: Y.WADA '04/04/19 CHK: M.SASAO '04/04/19 APPR: M.SASAO '04/04/19	MATERIAL 材料 SEE NOTES	GENERAL TOLERANCES: (UNLESS SPECIFIED) 一般公差	SCALE 2 - 1	MODEL NO. DESIGN UNITS 59110-**-**78 THIRD ANGLE PROJECTION	DIMENSIONS: <input type="checkbox"/> mm <input type="checkbox"/> INCH <input checked="" type="checkbox"/> mm ONLY	SHT REV
						FINISH 仕上げ —	10 UNDER 未満 ±0.2	DRAWN BY & DATE Y.WADA '04/04/19	TITLE: 0.8 I/O CONN. REC. EMBOSSED ASS'Y -LEAD FREE-		
						WIRE RANGE 適用電線範囲 —	10 OVER 30 UNDER 以上 未満 ±0.25	CHECKED BY & DATE M.SASAO '04/04/19			
						INS. RANGE 被覆外径 —	30 OVER 以上 ±0.3	APPROVED BY & DATE M.SASAO '04/04/19			
							ANGLE 角度 ±3°	CAD FILENAME SD-59110-007.S01	MATERIAL NO. 59110-0478	DRAWING NO. SD-59110-007	SHEET NO. 1 OF 1
THIS DRAWING CONTAINS INFORMATION THAT IS PROPRIETARY TO MOLEX INCORPORATED AND SHOULD NOT BE USED WITHOUT WRITTEN PERMISSION.											SIZE B