

PLEASE CHECK WWW.MOLEX.COM FOR LATEST PART INFORMATION

Part Number: [0522130417](#)
Status: **Active**
Overview: splash_proof
Description: 2.50mm (.098") Pitch Splash Proof Wire-to-Wire Receptacle Housing, 3 and 4 Circuit Version, 4 Circuits

Documents:

[3D Model](#) [Product Specification PS-52213-002 \(PDF\)](#)
[Drawing \(PDF\)](#) [RoHS Certificate of Compliance \(PDF\)](#)

Agency Certification

UL E29179

General

Product Family Crimp Housings
 Series [52213](#)
 MolexKits Yes
 Overview [splash_proof](#)
 Product Name Splash Proof

Physical

Circuits (maximum) 4
 Color - Resin Brown, Gray
 Flammability 94V-0
 Gender Female
 Glow-Wire Compliant No
 Material - Resin Polyester
 Number of Rows 1
 Packaging Type Tray
 Panel Mount No
 Pitch - Mating Interface (in) 0.098 In
 Pitch - Mating Interface (mm) 2.50 mm
 Stackable No
 Temperature Range - Operating -40°C to +105°C

Material Info

Reference - Drawing Numbers

Product Specification PS-52213-002
 Sales Drawing SD-52213-**1*, SD-52213-001

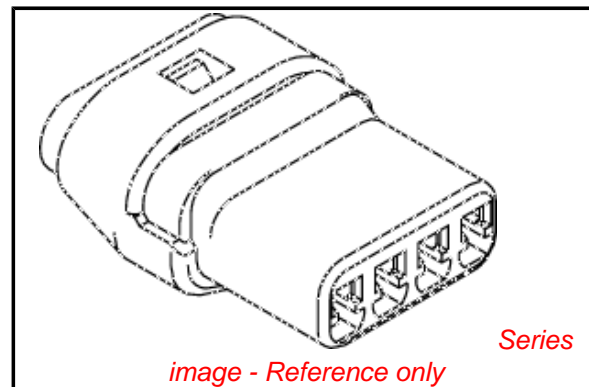


image - Reference only

EU RoHS

**ELV and RoHS
 Compliant**
REACH SVHC
 Not Reviewed
**Halogen-Free
 Status**
Not Reviewed

China RoHS



**Need more information on product
 environmental compliance?**

Email productcompliance@molex.com
 For a multiple part number RoHS Certificate of
 Compliance, [click here](#)

Please visit the [Contact Us](#) section for any
 non-product compliance questions.

Search Parts in this Series

[52213Series](#)

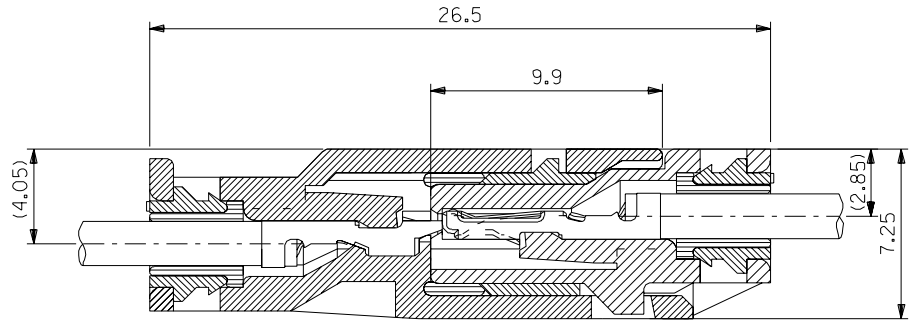
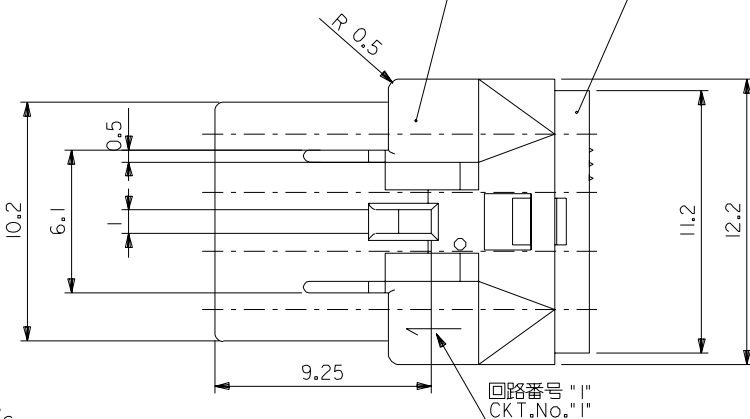
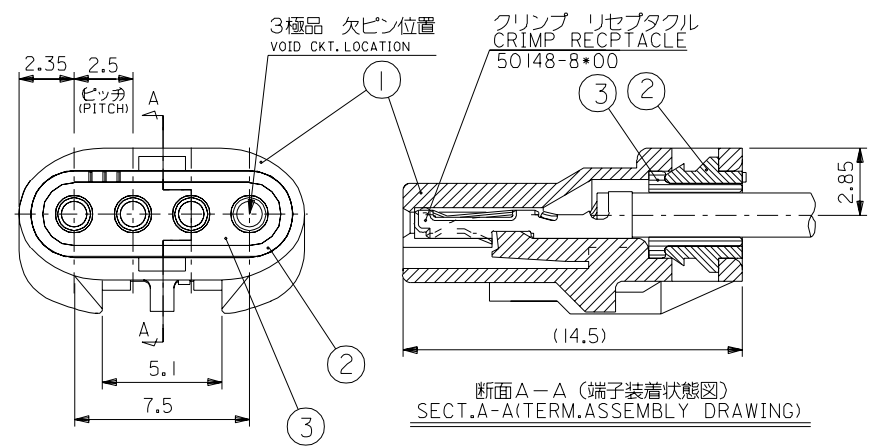
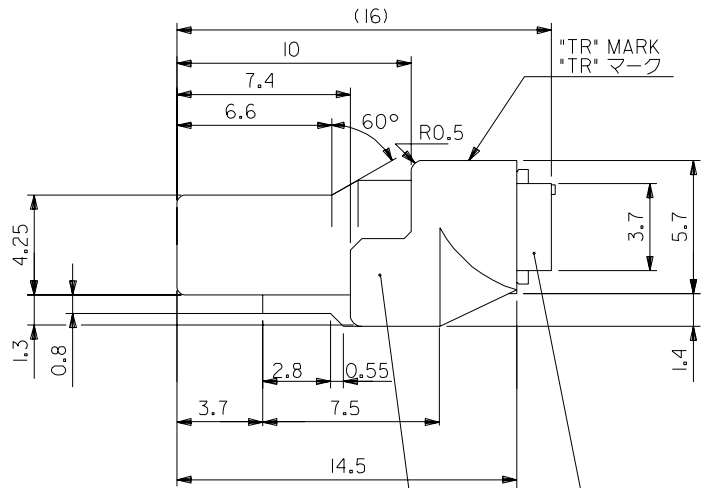
Mates With

[52266](#)

Use With

[50148](#)

PLEASE CHECK WWW.MOLEX.COM FOR LATEST PART INFORMATION



注記 NOTES

1. 適合クリンプ ピン ; 50148-8*00
APPLICABLE CRIMP PIN ; 50148-8*00
2. 嵌合相手 ; 52266-***1*
MATES WITH ; 52266-***1*

シリコンゴム SILICONE	ワイヤーエンド シール WIRE END SEAL	③
ポリエステル (15%G.F.) POLYESTER (15%G.F.)	キャップ CAP	②
ポリエステル (15%G.F.) POLYESTER (15%G.F.)	プラグ ハウジング PLUG HOUSING	①
材料 MATERIAL	名称 TITLE	×

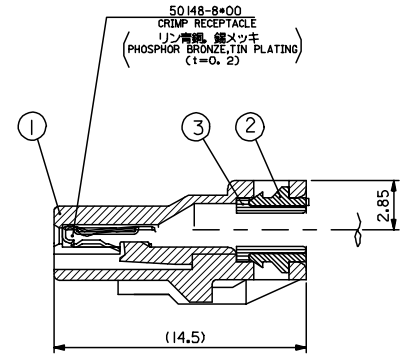
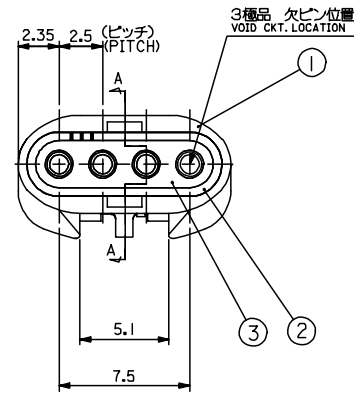
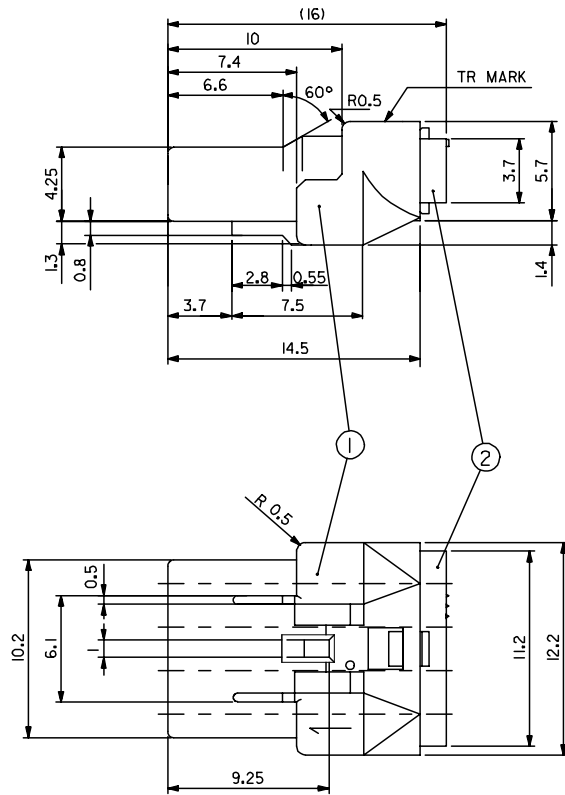
端子装着時の断面 A-Aの構成部品
COMPONENT (SECT. A-A)

角度 ANGLE	±3°		
30以上 OVER	+0.3	A	変更 REVISD (J31090)
10以上 30未満 UNDER	+0.25	O	新規作成 PROPOSED (J10601)
10未満 UNDER	+0.2	記号 LTR	変更内容 REVISION RECORD
一般公差 GENERAL TOLERANCES			REVIS ONLY ON CAD SYSTEM

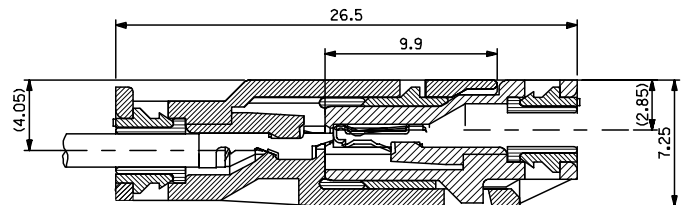
材料 表参照 MATERIAL SEE CHART	仕上げ FINISH	適用電線範囲 WIRE RANGE	被覆外径 INS. RANGE
	— W —	AVSS-0.3 CAVS-0.3	φ 1.4-1.5
DRAWN BY '91/7/17 M.SANO	CHK'D BY '93/11/9 M.SANO M.SAKANO	DATE '93/10/26	尺度 5-1

黒 BLACK	52213-0311	3
茶 BROWN	52213-0417	4
ハウジングの色 HS'G COLOR	製品番号 ENG.No.	極数 No. OF CKT.

molex MOLEX-JAPAN CO.,LTD. 日本モレックス株式会社	
EDP. NO.	
ENG. NO.	SD-52213-***1*
TITLE 名称	2.5 MINI SPLASH PROOF CONN. REC.HOUSING ASS'Y
REV	A



端子装着時の断面 A-A
SECT.A-A TERM ASSEMBLY DRAWING



嵌合状態図
FULLY MATED CONDITION

注記
NOTE

1. 本品の性能仕様書: PS-52213-002 に規定する。
PRODUCT SPECIFICATION: PS-52213-002

シリコンゴム SILICONE	青 BLUE	WIRE END SEAL	59541-04*4	③
ポリエステル (15%G.F.) POLYESTER (15%G.F.)	灰 GRAY	CAP	52210-0405	②
ポリエステル (15%G.F.) POLYESTER (15%G.F.)	表参照 SEE CHART	RECEPTACLE HOUSING	52213-040*	①
材料 MATERIAL	色 COLOR	名称 TITLE	ENG.NO.	

端子装着時の断面 A-A の構成部品
COMPONENT (SECT.A-A)

材料 MATERIAL	表参照 SEE CHART
----------------	------------------

RELEASED
EC NO.: J2007-0607
DRAWN: SKATAOKA 2006/09/11
CHKD: KTOYODA 2006/09/21
APPR: NUKITA 2006/09/26

GENERAL TOLERANCES (UNLESS SPECIFIED)	
10 UNDER	±0.2
10 OVER 30 UNDER	±0.25
30 OVER	±0.3
ANGULAR	±3°
DRAFT WHERE APPLICABLE MUST REMAIN WITHIN DIMENSIONS	

DIMENSION STYLE MM ONLY	
DRAWN BY	DATE
S. KATAOKA	2006/09/11
CHECKED BY	DATE
K. TOYODA	2006/09/11
APPROVED BY	DATE
N. UKITA	2006/09/11
MATERIAL NO. SEE CHART	

SCALE	DESIGN UNITS	THIRD ANGLE PROJECTION	
5:1	METRIC		
2.5 MINI SPLASH PROOF CONN REC HSG ASSY			
MOLEX INCORPORATED			REV. NO.
DOCUMENT NO. SD-52213-001			1 OF 1
THIS DRAWING CONTAINS INFORMATION THAT IS PROPRIETARY TO MOLEX INCORPORATED AND SHOULD NOT BE USED WITHOUT WRITTEN PERMISSION			

59541-0404	青 BROWN	52213-0417	4
59541-0404	緑 GREEN	52213-0416	4
59541-0404	青 BLUE	52213-0414	4
59541-0404	白 WHITE	52213-0410	4
59541-0414	黒 BLACK	52213-0311	3