

**PLEASE CHECK WWW.MOLEX.COM FOR LATEST PART INFORMATION**

**Part Number:** **0399300505**  
**Status:** **Active**  
**Description:** 3.81mm (.150") Pitch Beau™ EuroMate™ Pluggable PCB Terminal Block, Dual Level, 270° Wire Entry, with Retention Screws, 5 Circuits

**Documents:**

[Drawing \(PDF\)](#) [RoHS Certificate of Compliance \(PDF\)](#)

**Agency Certification**

UL E48521

**General**

|                             |                       |
|-----------------------------|-----------------------|
| Product Family              | Terminal Blocks       |
| Series                      | 39930                 |
| Application                 | Wire-to-Board         |
| Comments                    | with retention screws |
| Component Type              | Plug                  |
| Product Literature Order No | USA-264               |
| Product Name                | EuroMate™ Pluggable   |
| Type                        | Euro Block            |

**Physical**

|                                |                    |
|--------------------------------|--------------------|
| Circuits (Loaded)              | 5                  |
| Color - Resin                  | Black              |
| Entry Angle                    | Horizontal         |
| Flammability                   | 94V-0              |
| Lock to Mating Part            | Yes                |
| Material - Plating Mating      | Tin                |
| Material - Plating Termination | Tin                |
| Material - Resin               | Nylon              |
| Number of Rows                 | 2                  |
| Orientation                    | Vertical           |
| PCB Retention                  | N/A                |
| Panel Mount                    | No                 |
| Pitch - Mating Interface (in)  | 0.150 In           |
| Pitch - Mating Interface (mm)  | 3.81 mm            |
| Pitch - Term. Interface (in)   | 0.150 In           |
| Pitch - Term. Interface (mm)   | 3.80 mm            |
| Polarized to Mating Part       | Yes                |
| Shrouded                       | Tri-Barrier        |
| Stackable                      | No                 |
| Temperature Range - Operating  | 130°C              |
| Termination Interface: Style   | Screw or Lug       |
| Wire Size AWG                  | 14, 16, 18, 20, 22 |
| Wire Size mm²                  | 0.50 - 1.50        |

**Electrical**

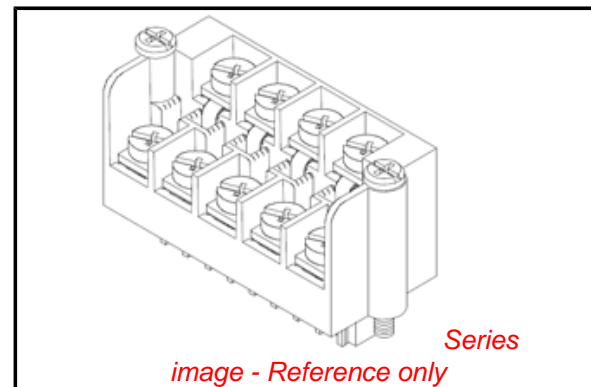
|                               |      |
|-------------------------------|------|
| Current - Maximum per Contact | 12A  |
| Voltage - Maximum             | 300V |

**Material Info**

|                 |        |
|-----------------|--------|
| Old Part Number | 936905 |
|-----------------|--------|

**Reference - Drawing Numbers**

|               |              |
|---------------|--------------|
| Sales Drawing | SD-39930-002 |
|---------------|--------------|



**EU RoHS**

**ELV and RoHS Compliant**  
**REACH SVHC**  
 Not Reviewed  
**Halogen-Free Status**  
 Not Reviewed

**China RoHS**



**Need more information on product environmental compliance?**

Email [productcompliance@molex.com](mailto:productcompliance@molex.com)  
 For a multiple part number RoHS Certificate of Compliance, [click here](#)

Please visit the [Contact Us](#) section for any non-product compliance questions.

**Search Parts in this Series**

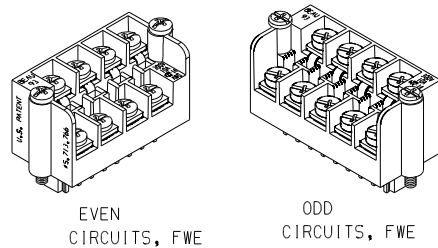
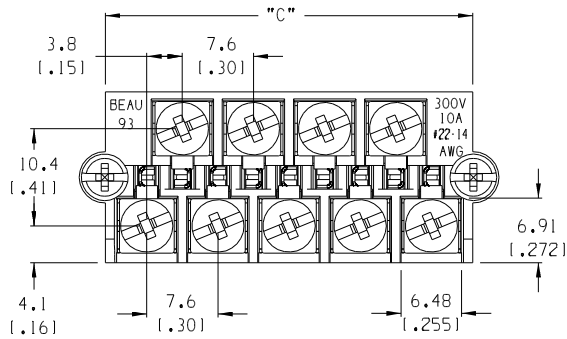
39930Series

**Mates With**

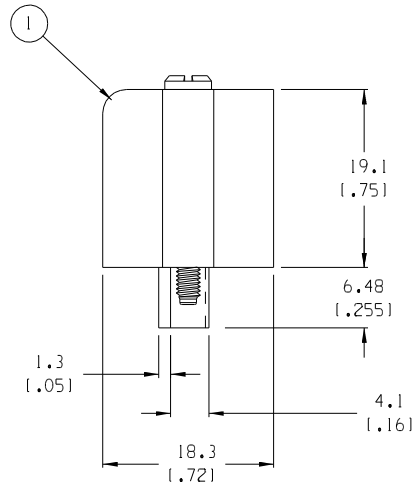
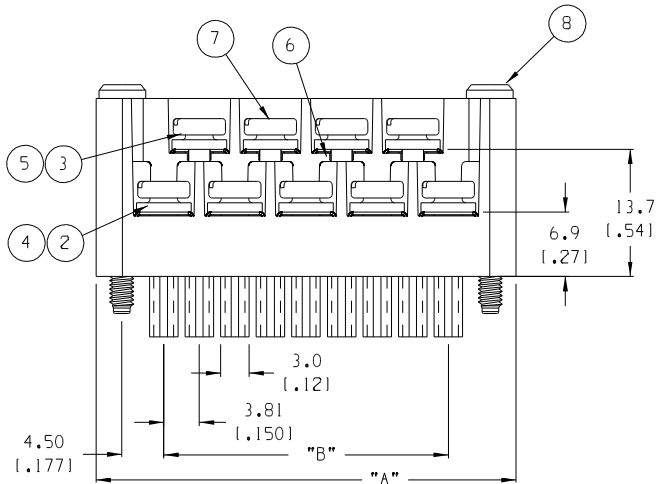
39515-1005 , 39516-1005

This document was generated on 05/13/2010

**PLEASE CHECK [WWW.MOLEX.COM](http://WWW.MOLEX.COM) FOR LATEST PART INFORMATION**



AUXILIARY VIEWS  
SCALE 1:1



| MATERIAL NO. | MATERIAL NO. (-G30 OPT.) | NO. OF CIRC. "XX" | "A"          | "B"            | "C"          |
|--------------|--------------------------|-------------------|--------------|----------------|--------------|
| 399300503    |                          | 03                | 22.1 (1.871) | 7.62 (1.3001)  | 16.5 (1.651) |
| 399300504    |                          | 04                | 25.9 (1.021) | 11.43 (1.4501) | 20.3 (1.801) |
| 399300505    |                          | 05                | 29.7 (1.171) | 15.24 (1.6001) | 24.1 (1.951) |
| 399300506    |                          | 06                | 33.5 (1.321) | 19.05 (1.7501) | 27.9 (1.101) |
| 399300507    |                          | 07                | 37.3 (1.471) | 22.86 (1.9001) | 31.8 (1.251) |
| 399300508    |                          | 08                | 41.2 (1.621) | 26.67 (1.0501) | 35.6 (1.401) |
| 399300509    |                          | 09                | 45.0 (1.771) | 30.48 (1.2001) | 39.4 (1.551) |
| 399300510    |                          | 10                | 48.8 (1.921) | 34.29 (1.3501) | 43.2 (1.701) |
| 399300511    |                          | 11                | 52.6 (2.071) | 38.10 (1.5001) | 47.0 (1.851) |
| 399300512    | 399310512                | 12                | 56.4 (2.221) | 41.91 (1.6501) | 50.8 (2.001) |
| 399300513    |                          | 13                | 60.2 (2.371) | 45.72 (1.8001) | 54.6 (2.151) |
| 399300514    |                          | 14                | 64.0 (2.521) | 49.53 (1.9501) | 58.4 (2.301) |
| 399300515    |                          | 15                | 67.8 (2.671) | 53.34 (2.1001) | 62.2 (2.451) |
| 399300516    |                          | 16                | 71.6 (2.821) | 57.15 (2.2501) | 66.0 (2.601) |
| 399300517    |                          | 17                | 75.4 (2.971) | 60.96 (2.4001) | 69.9 (2.751) |
| 399300518    |                          | 18                | 79.3 (3.121) | 64.77 (2.5501) | 73.7 (2.901) |
| 399300519    |                          | 19                | 83.1 (3.271) | 68.58 (2.7001) | 77.5 (3.051) |
| 399300520    |                          | 20                | 86.9 (3.421) | 72.39 (2.8501) | 81.3 (3.201) |
| 399300521    |                          | 21                | 90.7 (3.571) | 76.20 (3.0001) | 85.1 (3.351) |

NOTES:

1. MATERIAL: SEE TABLE
2. FINISHES: SEE TABLE
3. PRODUCT SPECIFICATION: NOT REQUIRED
4. PACKAGING: NOT REQUIRED
5. MATES WITH: BEAU 90 SERIES, 3.81mm HEADER & EQUIVALENT PARTS
6. "XX" REFERS TO THE QUANTITY OF CIRCUITS

ODD CIRCUIT CONFIGURATION SHOWN

| ITEM | QTY. (EVEN NO. OF CIRCUITS) | QTY. (ODD NO. OF CIRCUITS) | DESCRIPTION                    | MATERIAL      | FINISH              |
|------|-----------------------------|----------------------------|--------------------------------|---------------|---------------------|
| 8    | 2                           | 2                          | SCREW, MOUNTING, M2.5X.450     | STEEL         | ZN, YELLOW CHROMATE |
| 7    | XX                          | XX                         | SCREW, M3.5X.280               | STEEL         | ZN, YELLOW CHROMATE |
| 6    | XX                          | XX                         | NUT, M3.5, HEX                 | STEEL         | ZN, YELLOW CHROMATE |
| 5    | XX/2                        | (XX+1)/2                   | REAR ROW TERMINAL (-G30 OPT.)  | PHOS. BRONZE  | SELECTIVE GOLD      |
| 4    | XX/2                        | (XX+1)/2                   | FRONT ROW TERMINAL (-G30 OPT.) | PHOS. BRONZE  | SELECTIVE GOLD      |
| 3    | XX/2                        | (XX+1)/2                   | REAR ROW TERMINAL              | PHOS. BRONZE  | HOT TIN DIP         |
| 2    | XX/2                        | (XX+1)/2                   | FRONT ROW TERMINAL             | PHOS. BRONZE  | HOT TIN DIP         |
| 1    | 1                           | 1                          | BARRIER                        | THERMOPLASTIC | BLACK               |

|  |  |  |  |  |                     |
|--|--|--|--|--|---------------------|
| EC NO. 11648<br>DRAWN: RK 8-23-05<br>CH: K1<br>APPR: | QUALITY SYMBOLS<br>MAJOR:<br>CRITICAL:<br>SPC:<br>S: | GENERAL TOLERANCES: (UNLESS SPECIFIED)<br>mm      INCH<br>4 PLACES ±.0015<br>3 PLACES ±.038      ±.005<br>2 PLACES ±.13      ±.01<br>1 PLACE ±.3 | SCALE 2:1<br>DESIGN UNITS <input type="checkbox"/> mm <input checked="" type="checkbox"/> INCH<br>DRAWN BY & DATE<br>C. YORK 03-22-04<br>CHECKED BY & DATE<br>R. KEMP 03-22-04<br>APPROVED BY & DATE<br>GHR 03-22-04 | THIRD ANGLE PROJECTION<br>TITLE:<br>PLUG, FWE, 3.81MM EUROMATE<br>XX ASY, -E |                     |
|  |  | CAD FILENAME<br>9369XX   | MATERIAL NO.<br>SEE CHART  | DRAWING NO.<br>SD-39930-002  | SHEET NO.<br>1 OF 1 |
|  |  | THIS DRAWING CONTAINS INFORMATION THAT IS PROPRIETARY TO MOLEX INCORPORATED AND SHOULD NOT BE USED WITHOUT WRITTEN PERMISSION.                   |  |  |                     |
|  |  | REV B  | SIZE B   |  |                     |