

PLEASE CHECK WWW.MOLEX.COM FOR LATEST PART INFORMATION

Part Number: [0395333002](#)
Status: **Active**
Description: 5.08mm (.200") Pitch Eurostyle™ Vertical Plug, Front Wire Entry, 2 Circuits

Documents:

[Drawing \(PDF\)](#) [RoHS Certificate of Compliance \(PDF\)](#)
[Product Specification PS-39500-001 \(PDF\)](#)

General

Product Family	Terminal Blocks
Series	39533
Application	Wire-to-Board
Comments	Front Wire Entry
Component Type	Plug
Product Literature Order No	USA-355
Product Name	ESE, Eurostyle™ Pluggable
Type	Euro Block

Physical

Circuits (Loaded)	2
Entry Angle	Horizontal
Lock to Mating Part	Yes
Number of Rows	1
Orientation	Vertical
PC Tail Length (in)	0.200 In
PC Tail Length (mm)	5.08 mm
Panel Mount	No
Pitch - Mating Interface (in)	0.200 In
Pitch - Mating Interface (mm)	5.08 mm
Polarized to Mating Part	Yes
Stackable	No
Temperature Range - Operating	-40°C to +105°C
Wire Size AWG	12, 14, 16, 18, 20, 22, 24, 26
Wire Size mm²	0.13 - 3.31

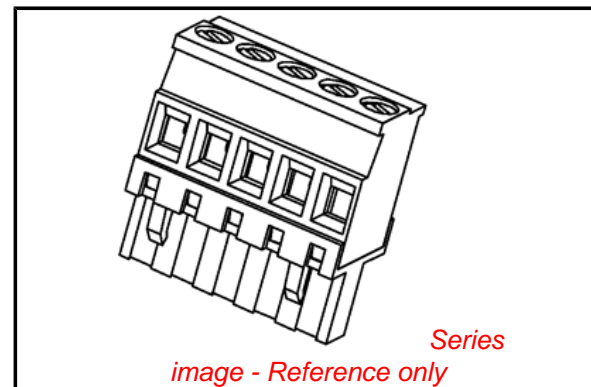
Electrical

Current - Maximum per Contact	15A
Voltage - Maximum	300V

Material Info

Reference - Drawing Numbers

Product Specification	PS-39500-001
Sales Drawing	SD-39533-001



EU RoHS

**ELV and RoHS
Compliant**
REACH SVHC
 Not Reviewed
**Halogen-Free
Status**

China RoHS



Not Reviewed

**Need more information on product
environmental compliance?**

Email productcompliance@molex.com
 For a multiple part number RoHS Certificate of
 Compliance, [click here](#)

Please visit the [Contact Us](#) section for any
 non-product compliance questions.

Search Parts in this Series

[39533Series](#)

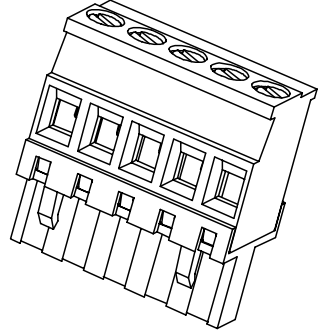
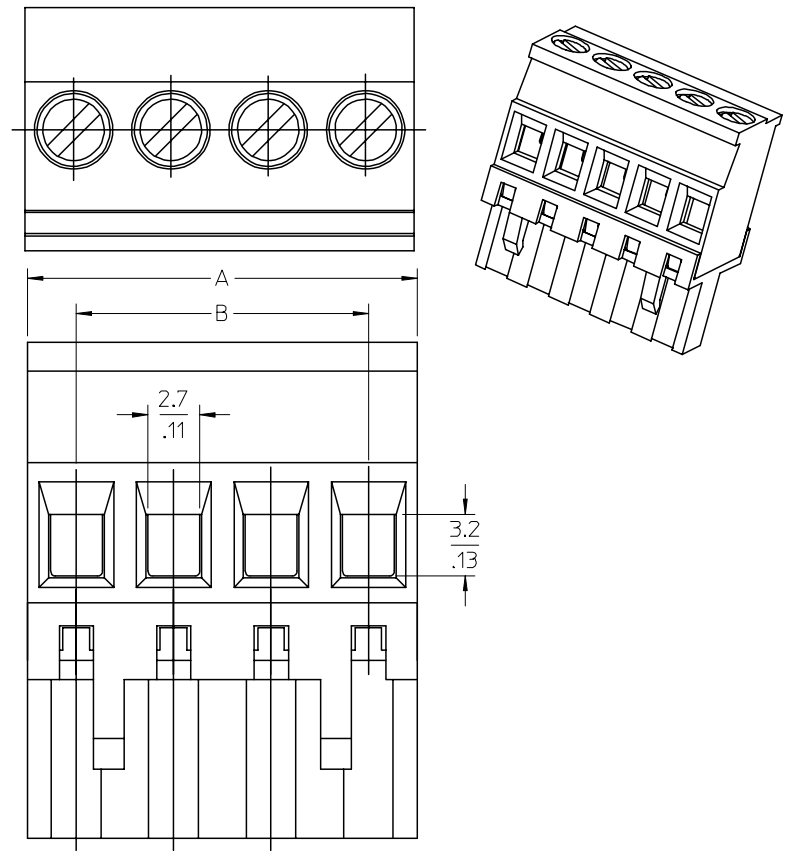
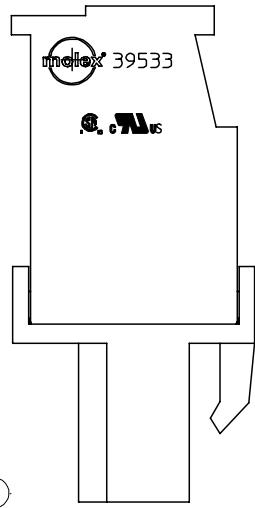
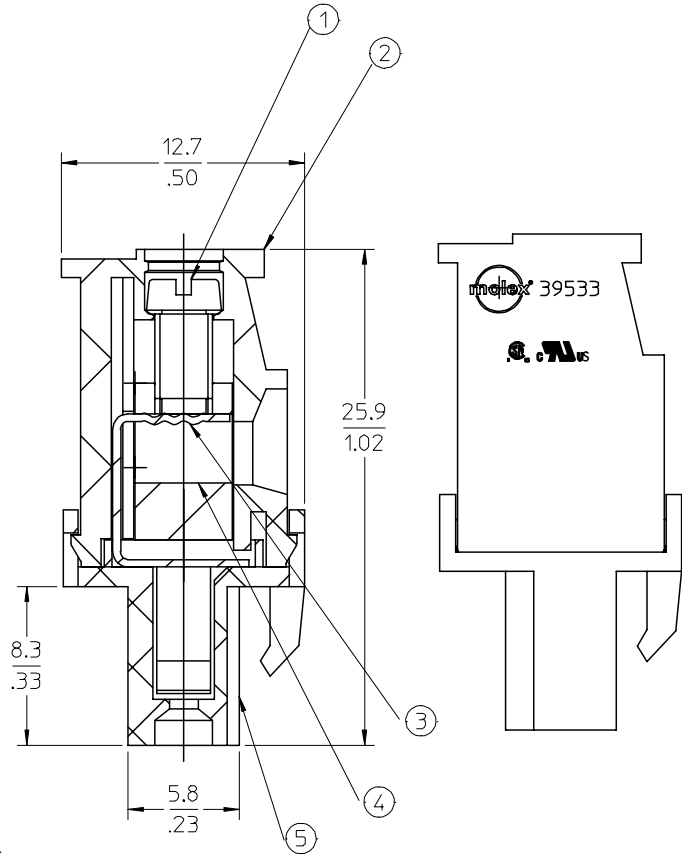
Mates With

[39531](#) Vertical PCB Header, [39532](#)
 Horizontal PCB Header, Most 5.08mm
 (.200") Pitch Industry Standard PCB
 Headers, [39538](#) Dual Level Header, Open
 Ends

10 9 8 7 6 5 4 3 2 1

F
E
D
C
B
A

F
E
D
C
B
A



SPECIFICATIONS:

1. Material:
 - (1). Screw: Steel
 - (2). Body: PA66
 - (3). Terminal: Phosphor Bronze
 - (4). Cage: Brass
 - (5). Cover: PA66
2. Wire range: 12 - 26 AWG
3. Electrical rating: 300V, 15A.
4. Wire strip length: 5.0mm.
5. Operating temperature: -40C to +105C.
6. Max torque: 5 In Lbs.
7. Insulation resistance: DC 500V, 500M.
8. Dielectric withstand: AC 2500V for 1 minute.
9. Breakdown voltage: 4000V.
10. Contact resistance: <10 mW.
11. A = (N x P)
12. B = (N - 1) x P
13. P (PITCH) = 5.08mm (.200").
14. N = Number of positions available 2 through 24.

ENTER DESCRIPTION EC NO: NEO2006-0310 DRWNL: LROTHAUS 2006/01/09 CHKD: C YORK 2006/01/09 APPR: J PAMLIK 2006/01/10	DESCRIPTION QUALITY SYMBOLS ▽=0 ▽=0	GENERAL TOLERANCES (UNLESS SPECIFIED)		DIMENSION STYLE MM/IN		SCALE 4:1	DESIGN UNITS INCH	THIRD ANGLE PROJECTION	
			mm	INCH	DRAWN BY LROTHAUS	DATE 12/6/05	TITLE 5.08MM, EURO PLUG, VERTICAL, REAR WIRE ENTRY		
		4 PLACES ± ---	±.0015	CHECKED BY C. YORK	DATE 01/06/06				
		3 PLACES ±0.038	±.005	APPROVED BY	DATE	MOLEX INCORPORATED			
2 PLACES ±0.13	±.01	ANGULAR ± 2 °		MATERIAL NO. SEE CHART	DOCUMENT NO. SD-39533-001	SHEET NO. 1 OF 1			
1 PLACE ±0.3	± ---	DRAFT WHERE APPLICABLE MUST REMAIN WITHIN DIMENSIONS		THIS DRAWING CONTAINS INFORMATION THAT IS PROPRIETARY TO MOLEX INCORPORATED AND SHOULD NOT BE USED WITHOUT WRITTEN PERMISSION					

9 8 7 6 5 4 3 2 1

10 9 8 7 6 5 4 3 2 1

Description	Circuit size	Material Numbers											Dimensional Information				
		Black						Green					Dim. A		Dim. B		
		100% Tin			30 u" Gold			100% Tin			30 u" Gold						
		Printing Options			Printing Options			Printing Options			Printing Options						
None	10AV	11AV	None	10AV	11AV	None	10AV	11AV	None	10AV	11AV	mm	inch	mm	inch		
5.08mm, Euro Plug, Vertical, Rear Wire Entry	2	395333002	395333302	395333402	395333502	395333802	395333902	395338002	395338302	395338402	395338502	395338802	395338902	10.16	0.400	5.08	0.200
5.08mm, Euro Plug, Vertical, Rear Wire Entry	3	395333003	395333303	395333403	395333503	395333803	395333903	395338003	395338303	395338403	395338503	395338803	395338903	15.24	0.600	10.16	0.400
5.08mm, Euro Plug, Vertical, Rear Wire Entry	4	395333004	395333304	395333404	395333504	395333804	395333904	395338004	395338304	395338404	395338504	395338804	395338904	20.32	0.800	15.24	0.600
5.08mm, Euro Plug, Vertical, Rear Wire Entry	5	395333005	395333305	395333405	395333505	395333805	395333905	395338005	395338305	395338405	395338505	395338805	395338905	25.40	1.000	20.32	0.800
5.08mm, Euro Plug, Vertical, Rear Wire Entry	6	395333006	395333306	395333406	395333506	395333806	395333906	395338006	395338306	395338406	395338506	395338806	395338906	30.48	1.200	25.40	1.000
5.08mm, Euro Plug, Vertical, Rear Wire Entry	7	395333007	395333307	395333407	395333507	395333807	395333907	395338007	395338307	395338407	395338507	395338807	395338907	35.56	1.400	30.48	1.200
5.08mm, Euro Plug, Vertical, Rear Wire Entry	8	395333008	395333308	395333408	395333508	395333808	395333908	395338008	395338308	395338408	395338508	395338808	395338908	40.64	1.600	35.56	1.400
5.08mm, Euro Plug, Vertical, Rear Wire Entry	9	395333009	395333309	395333409	395333509	395333809	395333909	395338009	395338309	395338409	395338509	395338809	395338909	45.72	1.800	40.64	1.600
5.08mm, Euro Plug, Vertical, Rear Wire Entry	10	395333010	395333310	395333410	395333510	395333810	395333910	395338010	395338310	395338410	395338510	395338810	395338910	50.80	2.000	45.72	1.800
5.08mm, Euro Plug, Vertical, Rear Wire Entry	11	395333011	395333311	395333411	395333511	395333811	395333911	395338011	395338311	395338411	395338511	395338811	395338911	55.88	2.200	50.80	2.000
5.08mm, Euro Plug, Vertical, Rear Wire Entry	12	395333012	395333312	395333412	395333512	395333812	395333912	395338012	395338312	395338412	395338512	395338812	395338912	60.96	2.400	55.88	2.200
5.08mm, Euro Plug, Vertical, Rear Wire Entry	13	395333013	395333313	395333413	395333513	395333813	395333913	395338013	395338313	395338413	395338513	395338813	395338913	66.04	2.600	60.96	2.400
5.08mm, Euro Plug, Vertical, Rear Wire Entry	14	395333014	395333314	395333414	395333514	395333814	395333914	395338014	395338314	395338414	395338514	395338814	395338914	71.12	2.800	66.04	2.600
5.08mm, Euro Plug, Vertical, Rear Wire Entry	15	395333015	395333315	395333415	395333515	395333815	395333915	395338015	395338315	395338415	395338515	395338815	395338915	76.20	3.000	71.12	2.800
5.08mm, Euro Plug, Vertical, Rear Wire Entry	16	395333016	395333316	395333416	395333516	395333816	395333916	395338016	395338316	395338416	395338516	395338816	395338916	81.28	3.200	76.20	3.000
5.08mm, Euro Plug, Vertical, Rear Wire Entry	17	395333017	395333317	395333417	395333517	395333817	395333917	395338017	395338317	395338417	395338517	395338817	395338917	86.36	3.400	81.28	3.200
5.08mm, Euro Plug, Vertical, Rear Wire Entry	18	395333018	395333318	395333418	395333518	395333818	395333918	395338018	395338318	395338418	395338518	395338818	395338918	91.44	3.600	86.36	3.400
5.08mm, Euro Plug, Vertical, Rear Wire Entry	19	395333019	395333319	395333419	395333519	395333819	395333919	395338019	395338319	395338419	395338519	395338819	395338919	96.52	3.800	91.44	3.600
5.08mm, Euro Plug, Vertical, Rear Wire Entry	20	395333020	395333320	395333420	395333520	395333820	395333920	395338020	395338320	395338420	395338520	395338820	395338920	101.60	4.000	96.52	3.800
5.08mm, Euro Plug, Vertical, Rear Wire Entry	21	395333021	395333321	395333421	395333521	395333821	395333921	395338021	395338321	395338421	395338521	395338821	395338921	106.68	4.200	101.60	4.000
5.08mm, Euro Plug, Vertical, Rear Wire Entry	22	395333022	395333322	395333422	395333522	395333822	395333922	395338022	395338322	395338422	395338522	395338822	395338922	111.76	4.400	106.68	4.200
5.08mm, Euro Plug, Vertical, Rear Wire Entry	23	395333023	395333323	395333423	395333523	395333823	395333923	395338023	395338323	395338423	395338523	395338823	395338923	116.84	4.600	111.76	4.400
5.08mm, Euro Plug, Vertical, Rear Wire Entry	24	395333024	395333324	395333424	395333524	395333824	395333924	395338024	395338324	395338424	395338524	395338824	395338924	121.92	4.800	116.84	4.600

SEE SHEET 1 EC NO: NEC2006-0310 DRWN: LROTHAUS 2006/01/09 CHKD: CYORK 2006/01/09 APPR: JPAMLCK 2006/01/10	QUALITY SYMBOLS ▽=0 ▽=0	GENERAL TOLERANCES (UNLESS SPECIFIED)		DIMENSION STYLE		SCALE	DESIGN UNITS	THIRD ANGLE PROJECTION	
				MM/IN		4:1	INCH		
				DRAWN BY DATE		TITLE			
				CHECKED BY DATE		MATERIAL NO.		DOCUMENT NO.	
		APPROVED BY DATE		SHEET NO.					
		ANGULAR ± 2 °		DRAFT WHERE APPLICABLE MUST REMAIN WITHIN DIMENSIONS		SD-39533-001		2 OF 2	
		SIZE B		THIS DRAWING CONTAINS INFORMATION THAT IS PROPRIETARY TO MOLEX INCORPORATED AND SHOULD NOT BE USED WITHOUT WRITTEN PERMISSION					

9 8 7 6 5 4 3 2 1