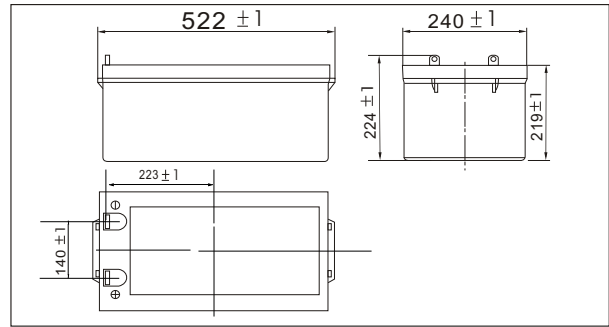




SW12750W(12V200Ah)



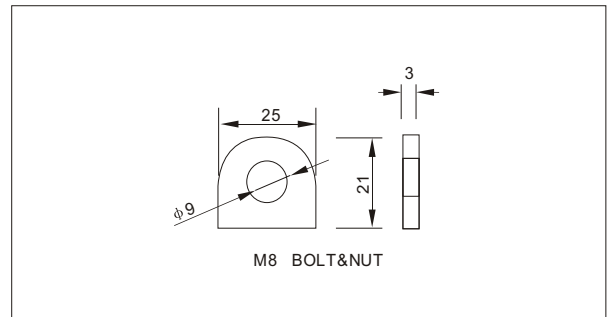
Outer Dimensions (mm)



Specifications

Nominal Voltage	12V	
CAPACITY(15 minutes rate to 1.67V/cell)	750W	
Rated capacity (10 hour rate)	200Ah	
Dimensions	Total Height	224 mm (8.82 inches)
	Height	219 mm (8.63 inches)
	Length	522 mm (20.6 inches)
	Width	240 mm (9.45 inches)
Weight Approx	65 Kg (143 lbs)	

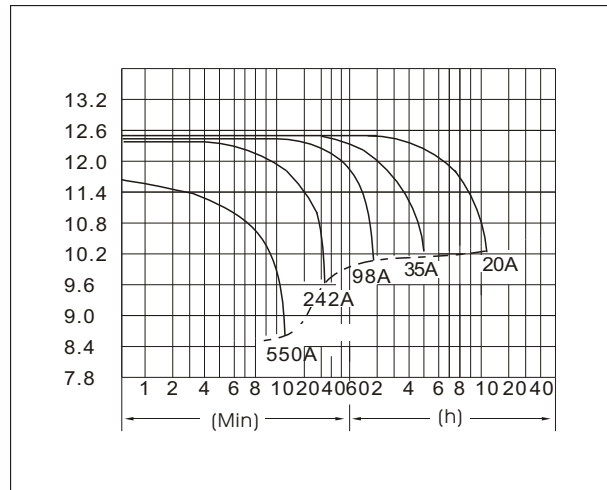
Terminal Type (mm)



Characteristics

Capacity 25°C(77°F)	30min rate	2713W
	15min rate	4500W
	5min rate	7941W
Internal Resistance	Full charged Battery at 25°C(77°F)	2.4 mΩ
Capacity affected by Temperature (20hour rate)	40°C(104°F)	102%
	25°C(77°F)	100%
	0°C(32°F)	85%
	-15°C(5°F)	65%
Self-Discharge at 25°C(77°F)	Capacity after 3 month storage	91%
	Capacity after 6 month storage	82%
	Capacity after 12 month storage	64%
Terminal	T11、T19	
Charge (constant Voltage)	Cycle	Initial Charging Current less than 40A Voltage 14.10-14.40V
	Float	Voltage 13.50-13.80V

Discharge Curves 25°C(77°F)



Constant power discharge :watts(25°C , 77 °F)

	5min	10min	15min	20min	30min	45min	60min	90min
9.60V	7941	5940	4603	3793	2829	2083	1633	1214
10.02V	7602	5747	4500	3729	2764	2006	1594	1173
10.2V	7262	5529	4397	3639	2713	1980	1556	1133
10.5V	6930	5400	4281	3574	2661	1916	1491	1079
10.8V	6591	4834	3793	3317	2366	1710	1350	1036
11.1V	5869	4320	3446	3060	2199	1607	1269	985

Constant current discharge unit:A(25°C , 77 °F)

	5min	15min	30min	45min	60min	90min	5h	10h
9.60V	739.2	426.4	260.9	190.7	148.9	110.5	32.9	21.4
10.02V	700.0	409.4	250.3	180.9	142.3	104.8	32.6	21.0
10.2V	651.0	394.5	241.8	176.9	137.7	100.3	32.3	20.5
10.5V	602.0	369.1	224.8	162.5	125.6	94.2	31.9	20.0
10.8V	574.0	326.7	203.2	146.8	115.6	88.2	31.5	19.4
11.1V	504.0	299.1	189.6	137.7	108.4	83.8	30.8	18.9