



# SW12330E(12V33AH)



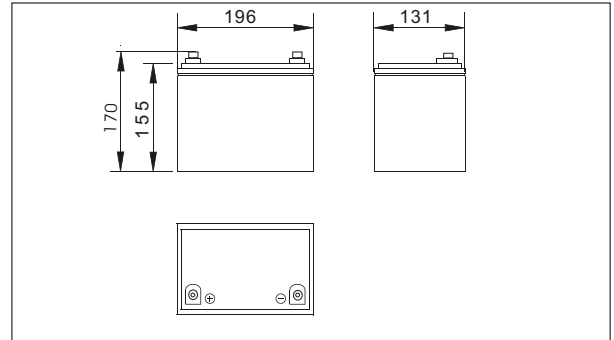
### Specifications

Nominal Voltage		12V
Rated capacity (10 hour rate)		33 Ah
Dimensions	Total Height	170 mm (6.69 inches)
	Height	155 mm (6.10 inches)
	Length	196 mm (7.70 inches)
	Width	131mm (5.16 inches)
Weight Approx		11.0Kg (24.0lbs)

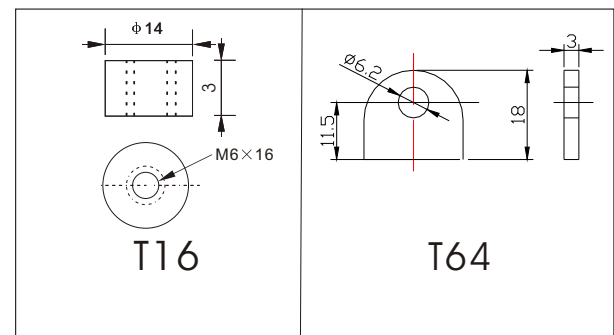
### Characteristics

Capacity 25°C(77°F)	10 hour rate(3.3A)	33.0 AH
	5 hour rate(5.3A)	26.4 AH
	1 hour rate(18.1A)	18.1 AH
1.5 hour discharge to 10.5V		13.2 A
Internal Resistance Full charged Battery at 25°C(77°F)		10.5m Ω
Capacity affected by Temperature (10hour rate)	40°C(104°F)	102%
	25°C(77°F)	100%
	0°C(32°F)	85%
	-15°C(5°F)	65%
Self-Discharge at 25°C(77°F)	Capacity after 3 month storage	91%
	Capacity after 6 month storage	82%
	Capacity after 12 month storage	64%
Terminal		T9, T16
Charge (constant Voltage)	Cycle	Initial Charging Current less than 8.25A Voltage 14.10-14.40V
	Float	Voltage 13.50-13.80V

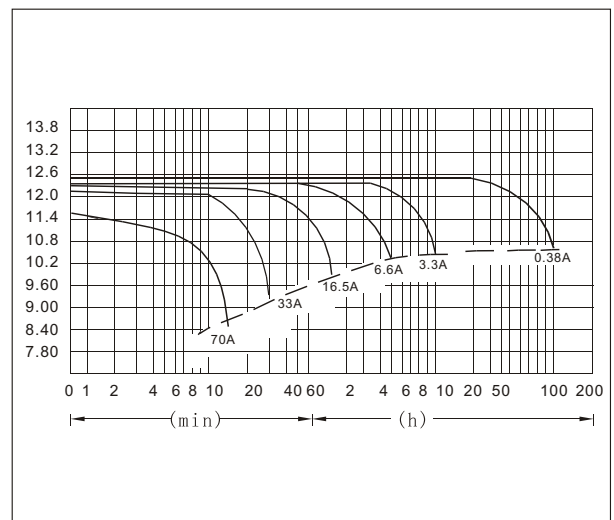
### Outer dimensions (mm)



### Terminal Type (mm)



### Discharge Curves 25°C(77°F)



Constant Current(Amp) and Constant Power(Watt) Discharge Table at 25°C(77°F)

Time		10min	30min	1h	3h	4h	5h	8h	10h	20h	50h	100h
9.60V	A	70	38	20	8.5	6.6	5.4	3.8	3.5	1.87	0.78	0.40
	W	773	403	229	98	76	63	44	40	21.7	9.3	4.8
10.20V	A	68	37	18.6	8.3	6.4	5.3	3.8	3.4	1.82	0.75	0.39
	W	744	399	216	96	75	62	43	39	21.1	8.9	4.6
10.50V	A	65	35	18	8.1	6.3	5.3	3.7	3.3	1.80	0.74	0.38
	W	721	377	209	93	73	61	43	39	20.9	8.8	4.5
10.80V	A	60	34	17	7.9	6.2	5.1	3.6	3.2	1.78	0.73	0.38
	W	693	363	200	91	72	60	42	38	20.7	8.6	4.5
11.10V	A	55	31	16	7.6	6.0	5.0	3.5	3.14	1.69	0.71	0.36
	W	681	360	194	90	71	60	42	37	20.1	8.5	4.3