

PLEASE CHECK WWW.MOLEX.COM FOR LATEST PART INFORMATION

Part Number: [0942402318](#)
Status: **Active**
Description: 2.54mm (.100") Pitch, MOX Header, 3.50mm (.137") Grid, Through Hole, SPS, Vertical, 18 Circuit, Black

Documents:

[3D Model](#) [Product Specification PS-94240-001 \(PDF\)](#)
[Drawing \(PDF\)](#) [RoHS Certificate of Compliance \(PDF\)](#)

General

Product Family	PCB Headers
Series	94240
Application	Wire-to-Board
Product Name	MOX

Physical

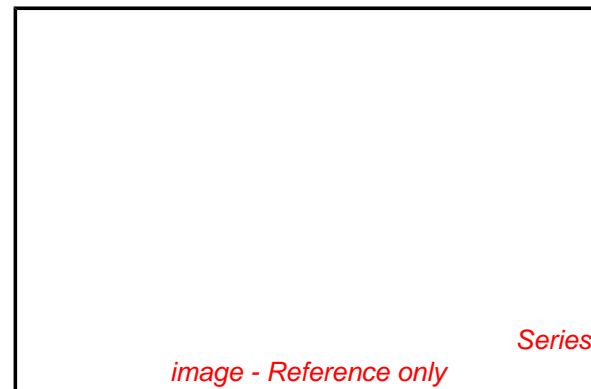
Breakaway	No
Circuits (Loaded)	18
Circuits (maximum)	18
Color - Resin	Natural
Durability (mating cycles max)	100
Glow-Wire Compliant	No
Material - Metal	Brass
Material - Plating Mating	Tin
Material - Plating Termination	Tin
Material - Resin	High Temperature Thermoplastic
Number of Rows	2
Orientation	Vertical
PC Tail Length (in)	0.130 In
PC Tail Length (mm)	3.30 mm
PCB Locator	Yes
PCB Thickness Recommended (in)	0.063 In
PCB Thickness Recommended (mm)	1.60 mm
Packaging Type	Tray
Pitch - Mating Interface (in)	0.100 In
Pitch - Mating Interface (mm)	2.54 mm
Pitch - Term. Interface (in)	0.100 In
Pitch - Term. Interface (mm)	2.54 mm
Plating min: Mating (µin)	120
Plating min: Mating (µm)	3
Plating min: Termination (µin)	120
Plating min: Termination (µm)	3
Polarized to Mating Part	Yes
Polarized to PCB	Yes
Shrouded	Closed Ends
Stackable	No
Surface Mount Compatible (SMC)	Yes
Temperature Range - Operating	-25°C to +105°C
Termination Interface: Style	Through Hole

Electrical

Current - Maximum per Contact	6A
Voltage - Maximum	125V

Material Info

Reference - Drawing Numbers



EU RoHS

**ELV and RoHS
Compliant**
**REACH SVHC
Not Reviewed**
**Halogen-Free
Status
Not Reviewed**

China RoHS



**Need more information on product
environmental compliance?**

Email productcompliance@molex.com
 For a multiple part number RoHS Certificate of Compliance, [click here](#)

Please visit the [Contact Us](#) section for any non-product compliance questions.

Search Parts in this Series

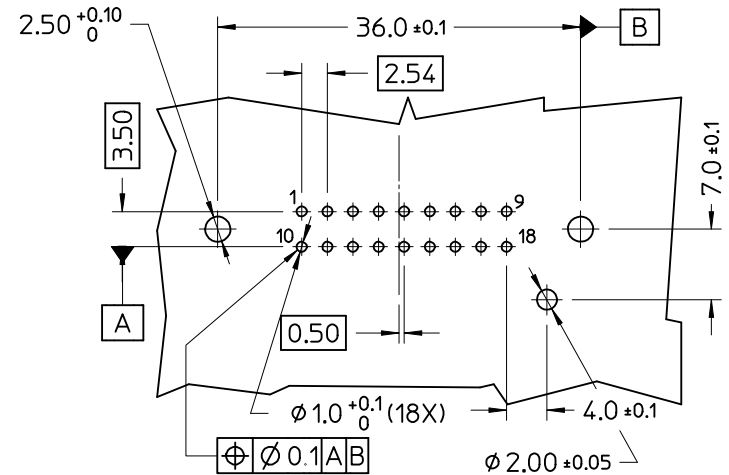
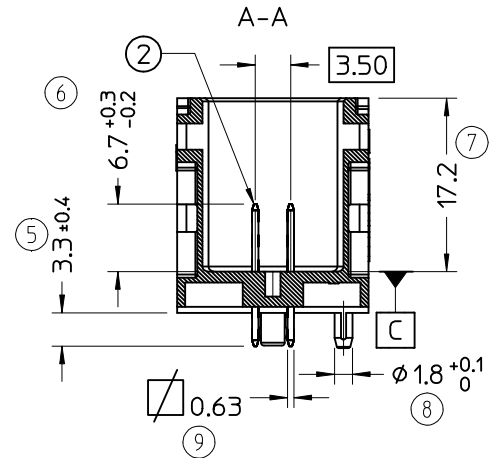
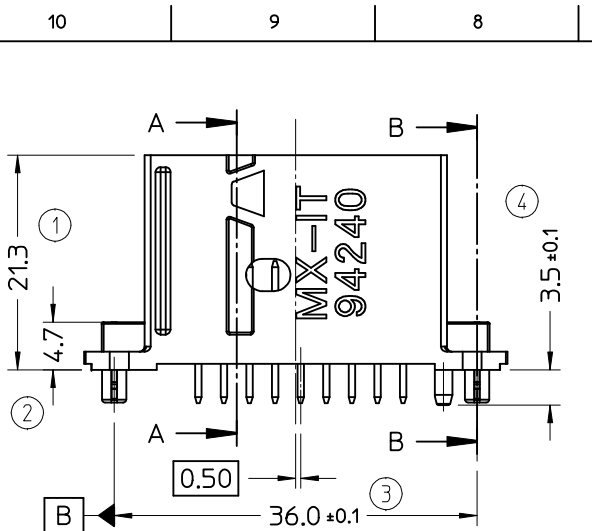
[94240Series](#)

Mates With

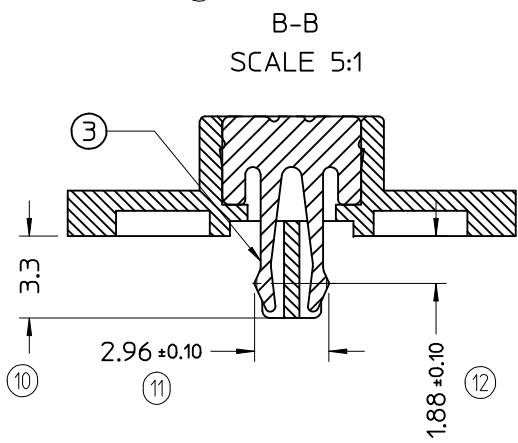
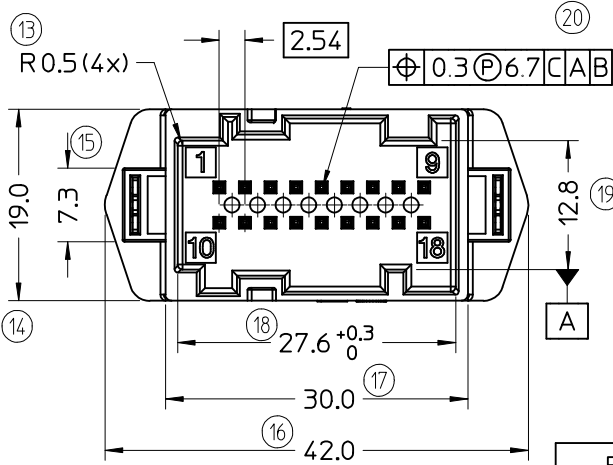
[98695](#)

This document was generated on 04/22/2010

PLEASE CHECK WWW.MOLEX.COM FOR LATEST PART INFORMATION

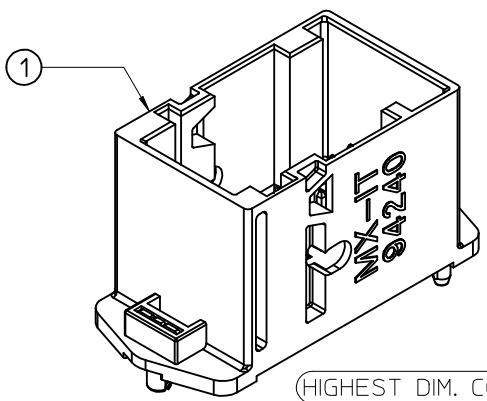


RECOMMENDED PCB LAYOUT (COMPONENT SIDE)
PCB THICKNESS: 1.6 +/-0.15mm



- A) MATERIALS:
1) HOUSING: SEE TABLE
2) CONTACTS: BRASS, TIN OVER NICKEL PLATED
3) BOARD LOCKS: COPPER ALLOY
- B) NOTES:
- RET. FORCE OF BOARD LOCK SYSTEM ON PCB: 15 N MIN.
- REF. DOCUMENT: PS-94240-001

P/N	PACKAGING	MATERIAL	S.P.Q.
94240-2318	IN TRAYS	PCT GF 30% BLACK	15120
94240-3318	IN CARTON BOXES	PBT GF 20% BLACK	



HIGHEST DIM. CONTROL No.: 20

Std.Descr.: "HEADER BLACK THRU HOLE W/PEGS 18 CKT"

EC NO: Z2009-0059 DRWN: SBARBIER 2009/04/21 CHKD: LSANTISSA 2009/04/21 APPR: FBISIELLO 2009/04/28	QUALITY SYMBOLS ▽ - 0 ▽ - 0	GENERAL TOLERANCES (UNLESS SPECIFIED)		SCALE 2:1	DESIGN UNITS METRIC	FIRST ANGLE PROJECTION	REVISE ON CAD ONLY	
		4 PLACES ± --- ± --- 3 PLACES ± --- ± --- 2 PLACES ± 0.3 ± --- 1 PLACE ± 0.3 ± ---	mm INCH	DIMENSION STYLE MM ONLY		TITLE 18 CKT BLACK HEADER WITH BOARD LOCKS		
		DRAFT WHERE APPLICABLE MUST REMAIN WITHIN DIMENSIONS		DRAWN BY FGOTTARD	DATE 2002/05/13	MOLEX INCORPORATED		
				APPROVED BY GZUIN	DATE 2002/05/13	MATERIAL NO. see table	DOCUMENT NO. SD-94240-001	SHEET NO. 1 OF 1

THIS DRAWING CONTAINS INFORMATION THAT IS PROPRIETARY TO MOLEX INCORPORATED AND SHOULD NOT BE USED WITHOUT WRITTEN PERMISSION