

PLEASE CHECK WWW.MOLEX.COM FOR LATEST PART INFORMATION

Part Number: [0191640079](#)
Status: **Active**
Description: Perma-Seal™ Butt Splice for 8 AWG Wire

Agency Certification

CSA LR18689
 UL E32244

General

Product Family Splices
 Series [19164](#)
 Crimp Quality Equipment Yes
 Mil-Spec N/A
 MolexKits Yes
 Product Name Butt, Perma-Seal™

Physical

Barrel Type Closed
 Flammability 94V-0
 Insulation NiAc™
 Packaging Type Bag
 Temperature Range - Operating -55°C to +125°C
 Wire Insulation Diameter 9.53mm (.375") max
 Wire Size AWG 8
 Wire Size mm² 7.96

Electrical

Voltage - Maximum 600V

Material Info

Old Part Number SD-354

Reference - Drawing Numbers

Sales Drawing SD-19164-017

EU RoHS

**ELV and RoHS
Compliant**

REACH SVHC

Not Reviewed

Halogen-Free

Status

Not Reviewed

China RoHS



**Need more information on product
environmental compliance?**

Email productcompliance@molex.com
 For a multiple part number RoHS Certificate of
 Compliance, [click here](#)

Please visit the [Contact Us](#) section for any
 non-product compliance questions.

Search Parts in this Series

[19164Series](#)

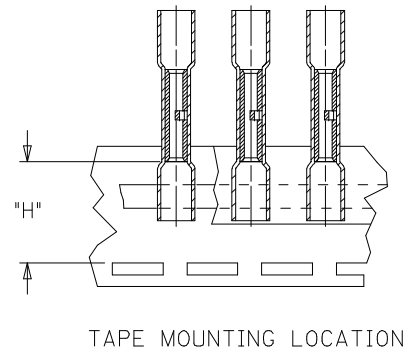
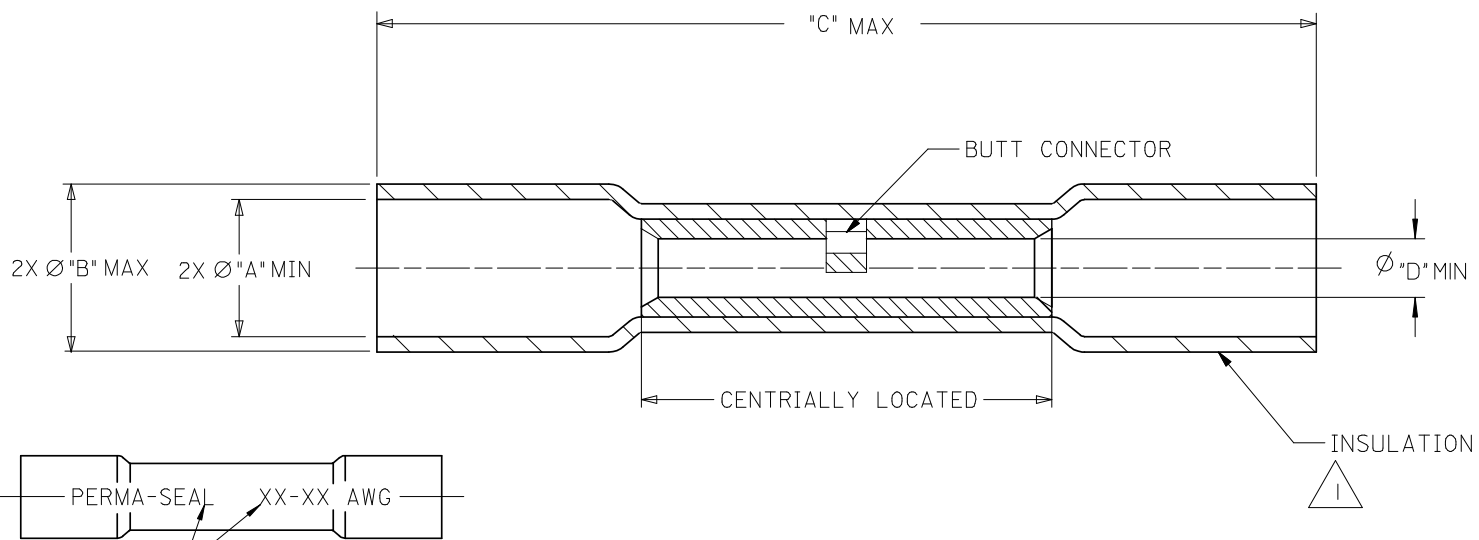
Application Tooling | FAQ

*Tooling specifications and manuals are
found by selecting the products below.
Crimp Height Specifications are then
contained in the Application Tooling
Specification document.*

Global

Description	Product #
Hand Crimp Tool	0640013900
Crimp Head for the AT-200™ Pneumatic Hand Tool	0640055400

10	9	8	7	6	5	4	3	2	19164	
MATERIAL NUMBER	ENGINEERING NUMBER	MYLAR TAPE MATERIAL NUMBER	MYLAR TAPE ENGINEERING NUMBER	PERMA-SEAL COLOR	WIRE AWG 3	"A" (F) MIN	"B" Ø MAX	(F) "C" MAX	"H" ±.010/0.25	"D" MIN
191640013	SAA-22-18	191640014	SAA-22-18T	RED	22-18	.185/4.70	.280/7.11	1.55/39.4	.767/19.48	.059/1.50
191640044	SBB-16-14	191640045	SBB-16-14T	BLUE	16-14	.195/4.95	.308/7.82	1.55/39.4	.727/18.47	.091/2.31
191640056	SC-12-10	191640057	SC-12-10T	YELLOW	12-10	.275/6.99	.383/9.73 (F)	1.80/45.7	.800/23.32	.139/3.53 (F)
191640079	(F) SD-354	---	---	RED	8	.300/7.62	.448/11.38	2.05/52.4	---	.165/4.19



SALES DRAWING

- NOTES,
- 1. INSULATION MATERIAL: HEAT SHRINKABLE TUBING WITH HOTMELT INNER LINER. SEE CHART FOR COLOR.
 - 2. SEAMLESS TIN PLATED COPPER TERMINAL.
 - 3. PRINTED TEXT IN BLACK APPROXIMATELY .12 (3.0) HIGH.
 - (F) 4. PART IS ROHS COMPLIANT.

UPDATE MAX LENGTH EC NO: WNA2008-0006 TIDR: WNEHRODAHL 2007/12/20 CHKD: JMAGNE IL 2007/12/29 APPR: JMAGNE IL 2008/01/08	QUALITY SYMBOLS	GENERAL TOLERANCES (UNLESS SPECIFIED)	DIMENSION STYLE	SCALE	DESIGN UNITS	THIRD ANGLE PROJECTION																		
	$\nabla=0$ $\nabla E=0$	<table border="1"> <thead> <tr> <th></th> <th>mm</th> <th>INCH</th> </tr> </thead> <tbody> <tr> <td>4 PLACES</td> <td>±---</td> <td>±---</td> </tr> <tr> <td>3 PLACES</td> <td>±---</td> <td>±---</td> </tr> <tr> <td>2 PLACES</td> <td>±---</td> <td>±---</td> </tr> <tr> <td>1 PLACE</td> <td>±---</td> <td>±---</td> </tr> <tr> <td colspan="3">ANGULAR ±---°</td> </tr> </tbody> </table>		mm	INCH	4 PLACES	±---	±---	3 PLACES	±---	±---	2 PLACES	±---	±---	1 PLACE	±---	±---	ANGULAR ±---°			IN/MM	1:1	INCH	
		mm	INCH																					
	4 PLACES	±---	±---																					
3 PLACES	±---	±---																						
2 PLACES	±---	±---																						
1 PLACE	±---	±---																						
ANGULAR ±---°																								
DESCRIPTION	DRAFT WHERE APPLICABLE MUST REMAIN WITHIN DIMENSIONS	DRAWN BY DATE BRE 2002/03/22 CHECKED BY DATE HEB 2002/03/22 APPROVED BY DATE RWD 2002/03/22 MATERIAL NO. SEE CHART SIZE B	TITLE PERMA-SEAL NIAC BUTT CONNECTORS MOLEX INCORPORATED DOCUMENT NO. SD-19164-017		SHEET NO. 1 OF 1																			
			THIS DRAWING CONTAINS INFORMATION THAT IS PROPRIETARY TO MOLEX INCORPORATED AND SHOULD NOT BE USED WITHOUT WRITTEN PERMISSION																					