

PLEASE CHECK WWW.MOLEX.COM FOR LATEST PART INFORMATION

Part Number: [1201140055](#)
Status: **Active**
Overview: [microchange m12 connectors](#)
Description: Micro-Change® Molded Junction Box, Top Mount, 6 Ports, LEDs for PNP sensors, with Integral Mini-Change® Home Run Connector

Documents:

[Drawing \(PDF\)](#) [RoHS Certificate of Compliance \(PDF\)](#)

Agency Certification

CSA LR6837
 UL E152210

General

Product Family Passive Distribution Boxes
 Series [120114](#)
 Comments PNP SENSORS
 IP Rating IP68
 NEMA Rating NEMA 6
 Overview [microchange m12 connectors](#)
 Product Name Micro-Change® (M12)

Physical

Bus I/O Micro-Change® (M12)
 Cable Connector Orientation 90° Angle
 Cable Length N/A
 Home Run Cable Length N/A
 Home Run Connector Mini-Change® - 12 pole
 Home Run Interface Integrated Connector
 Keyway Single
 LED Indicator Yes
 Material - Cable Jacket N/A
 Material - Housing PBT
 Material - Metal Copper Alloy
 Material - Plating Mating Gold over Nickel
 Orientation Top Mount
 Poles 5
 Poles (wired) 4
 Ports 6
 Temperature Range - Operating -25°C to +90°C
 Wiring Configuration Single I/O per Port

Electrical

Current - Maximum per Contact 12A per module, 4A per port
 Functional Wiring Parallel
 Voltage - Maximum 10-30V DC

Material Info

Old Part Number BTY601P-FBB

Reference - Drawing Numbers

Sales Drawing SD-120114-077

EU RoHS

RoHS Compliant by Exemption
REACH SVHC Not Reviewed
Halogen-Free Status Not Reviewed

China RoHS



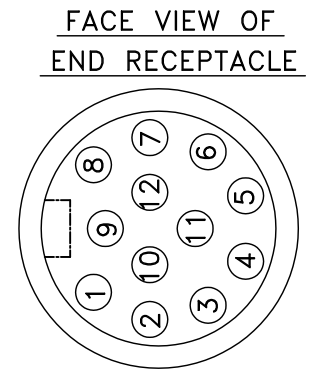
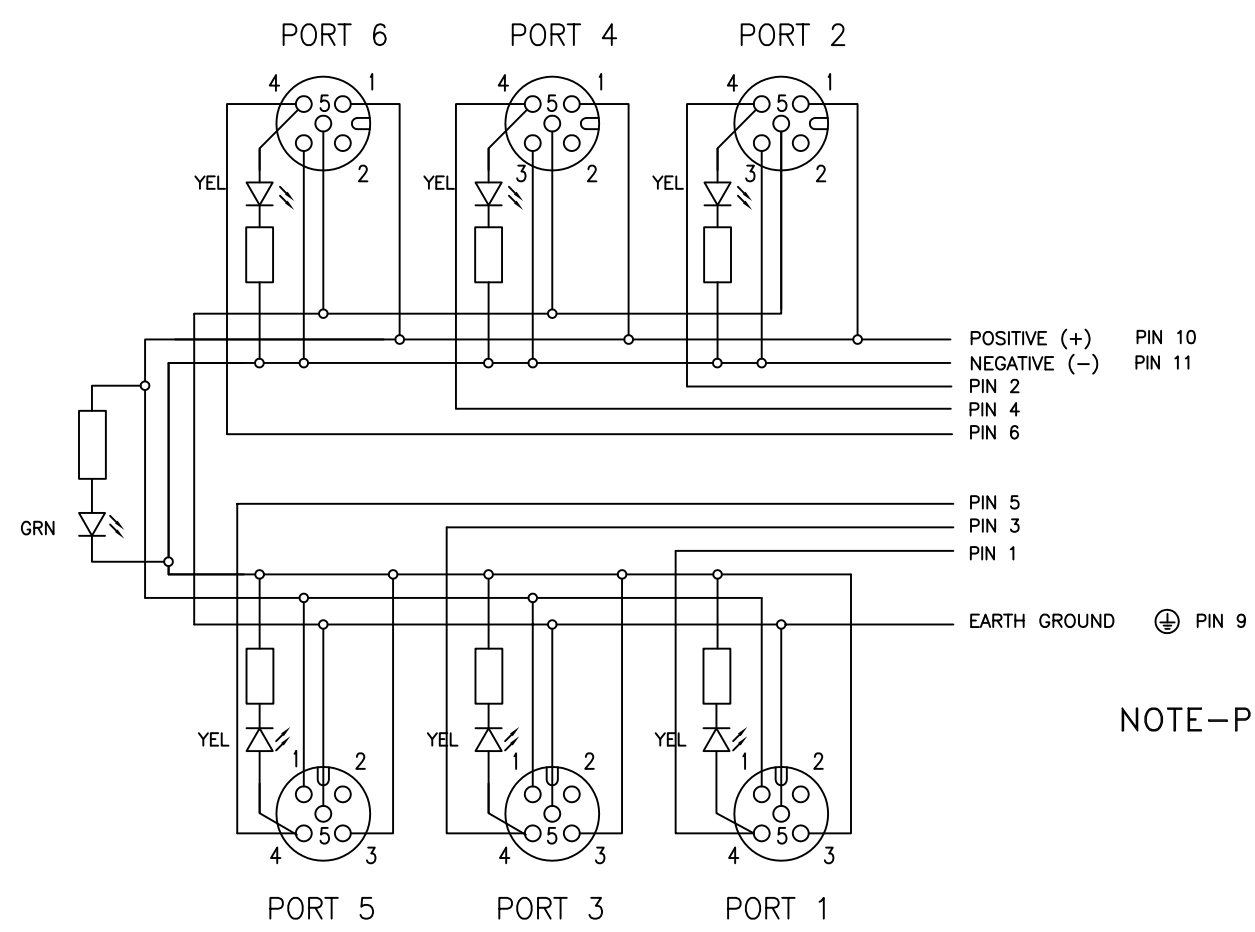
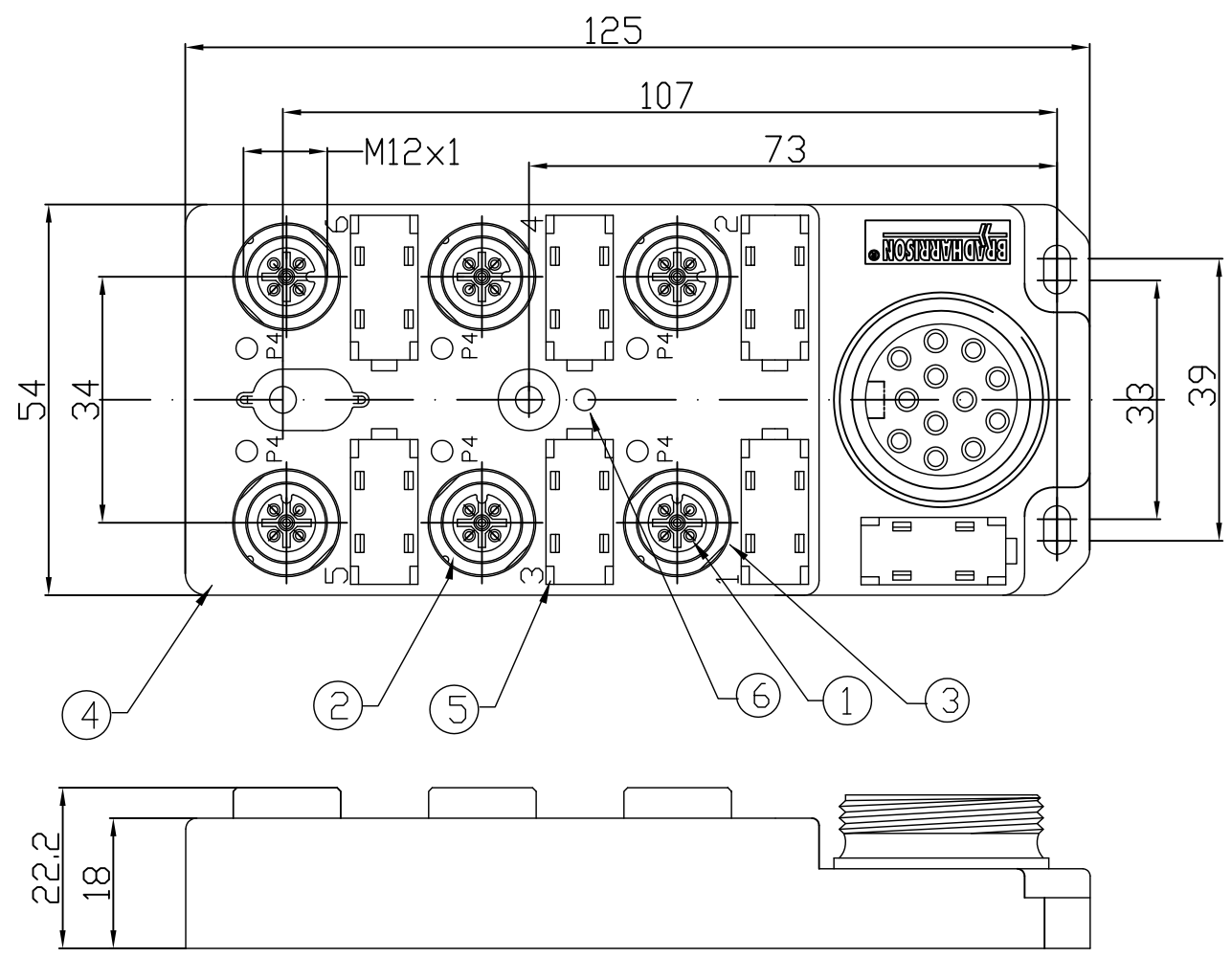
Need more information on product environmental compliance?

Email productcompliance@molex.com
 For a multiple part number RoHS Certificate of Compliance, [click here](#)

Please visit the [Contact Us](#) section for any non-product compliance questions.

Search Parts in this Series

[120114Series](#)



NOTE-PINS 7,8,12 NOT USED

MATERIAL NUMBER	OLD PART NUMBER	FINISHED LENGTH
1201140055	BTY601P-FBB	-

VOLTAGE RATING	10-30 VDC
AMPERAGE RATING PER PORT	4 A PER PORT, 12 AMPS MAX.
PROTECTION	IP67
OPERATING TEMPERATURE	-25°C TO 90°C
UL CERTIFICATIONS	UL RECOGNIZED, FILE NO. E46237
CSA CERTIFICATIONS	CSA CERTIFIED, FILE NO. LR6837

ITEM	COMPONENT	MATERIAL	FINISH
1	CONTACT SOCKET	COPPER ALLOY	GOLD OVER NICKEL
2	O-RING	VITON	RED
3	RECEPTACLE SHELL	BRASS	NICKEL PLATED
4	HOUSING	PBT	YELLOW
5	LABEL	ABS	WHITE
6	LENS	NYLON	CLEAR

DESCRIPTION EC NO: WEU2010-0451 DRWN: LSTEMMLE 2010/03/22 CHKD: NS APPR: FPACHER 2010/03/23	QUALITY SYMBOLS ▽ = 0 ∇ = 0	GENERAL TOLERANCES (UNLESS SPECIFIED)		DIMENSION STYLE MM ONLY		SCALE 1:1	DESIGN UNITS METRIC	THIRD ANGLE PROJECTION		
		4 PLACES ±--- mm ±--- INCH	3 PLACES ±--- mm ±--- INCH	2 PLACES ±--- mm ±.01 INCH	1 PLACE ±0.3 mm ±--- INCH	DRAWN BY DATE LSTEMMLE 2010/03/22		MICRO-CHANGE MPIS 6 PORT PNP TWIN PORT 5P 12 P HARD SHELL CONN.		
		ANGULAR ± --- °				CHECKED BY DATE FP 2010/03/23				
		DRAFT WHERE APPLICABLE MUST REMAIN WITHIN DIMENSIONS				SEE TABLE		MOLEX INCORPORATED DOCUMENT NO. SD-120114-077 SHEET NO. 1 OF 1		