

PLEASE CHECK WWW.MOLEX.COM FOR LATEST PART INFORMATION

Part Number: [1201140082](#)
Status: **Active**
Overview: [microchange m12 connectors](#)
Description: Micro-Change® Molded Junction Box, Top Mount, 8 Ports, 2(OI) per port, LEDs for PNP sensors, with Field Wireable Home Run Connection

Documents:

[Drawing \(PDF\)](#) [RoHS Certificate of Compliance \(PDF\)](#)

Agency Certification

CSA LR6837
 UL E152210

General

Product Family Passive Distribution Boxes
 Series [120114](#)
 Comments PNP SENSORS
 IP Rating IP67
 NEMA Rating NEMA 6
 Overview [microchange m12 connectors](#)
 Product Name Micro-Change® (M12)

Physical

Bus I/O Micro-Change® (M12)
 Cable Connector Orientation 90° Angle
 Cable Length N/A
 Home Run Cable Length N/A
 Home Run Connector Terminal Strip
 Home Run Interface Terminal Strip
 Keyway Single
 LED Indicator Yes
 Material - Cable Jacket N/A
 Material - Housing PBT
 Material - Metal Copper Alloy
 Material - Plating Mating Gold over Nickel
 Orientation Top Mount
 Poles 5
 Poles (wired) 5
 Ports 8
 Temperature Range - Operating -20°C to +90°C
 Wiring Configuration Dual I/O per Port

Electrical

Current - Maximum per Contact 12A per module, 4A per port
 Functional Wiring Parallel
 Voltage - Maximum 10-30V DC

Material Info

Old Part Number BTY803P-FBA

Reference - Drawing Numbers

Sales Drawing SD-120114-068

EU RoHS

**ELV and RoHS
 Compliant**
REACH SVHC
 Not Reviewed
**Halogen-Free
 Status**

China RoHS



Not Reviewed

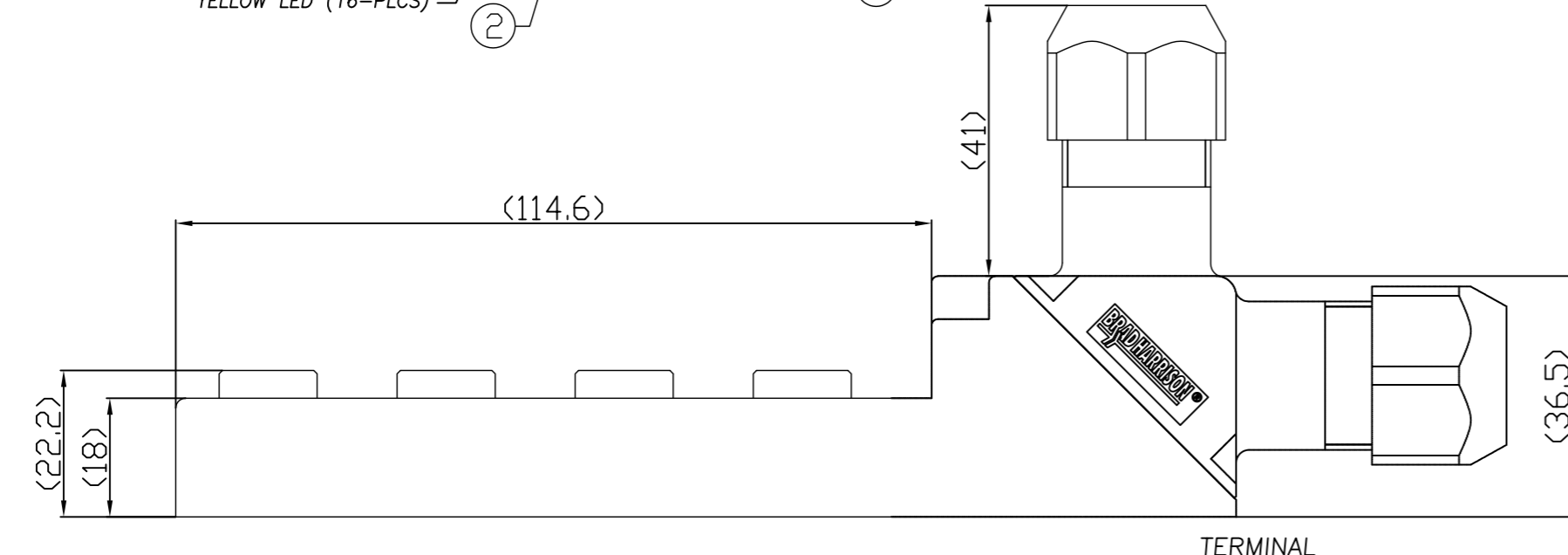
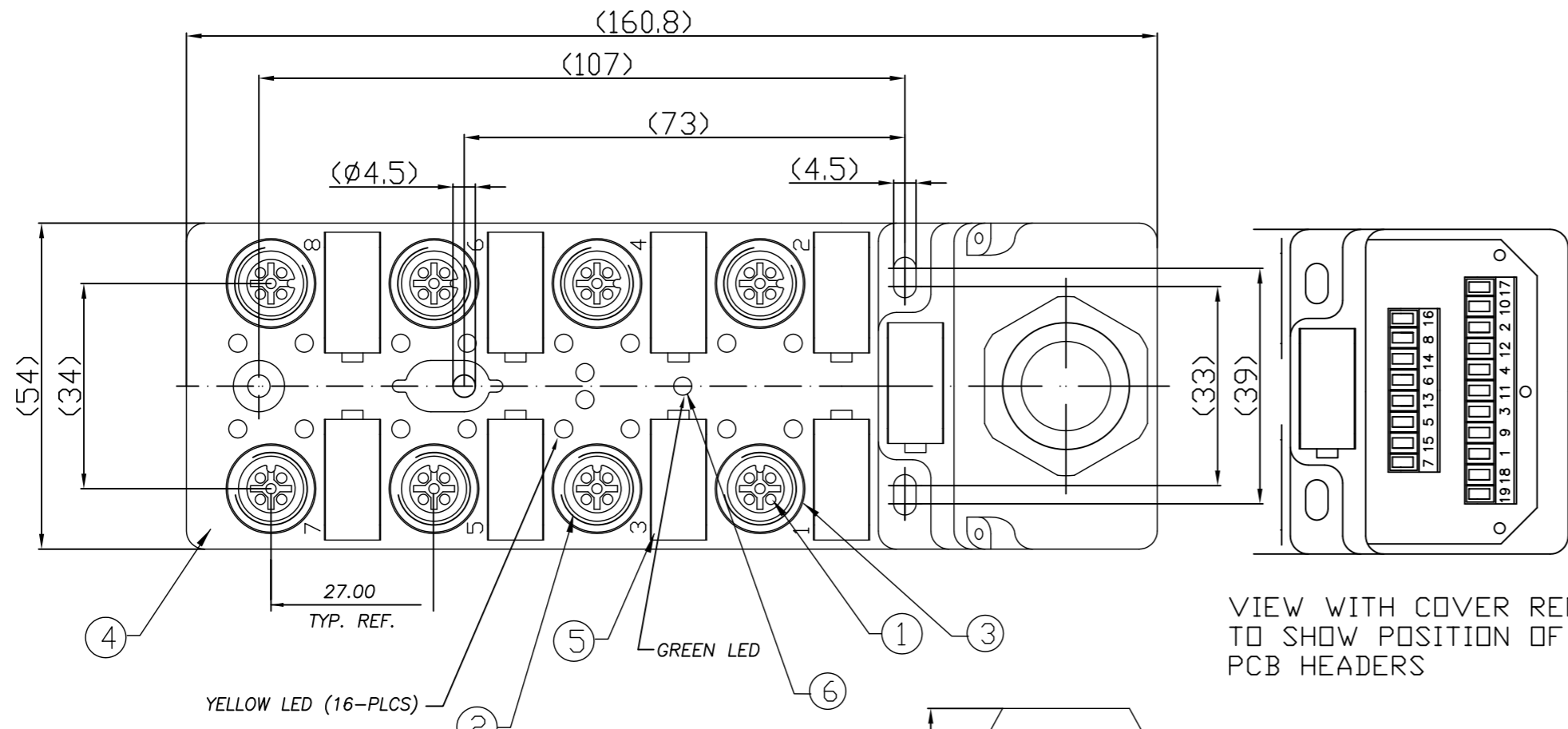
**Need more information on product
 environmental compliance?**

Email productcompliance@molex.com
 For a multiple part number RoHS Certificate of
 Compliance, [click here](#)

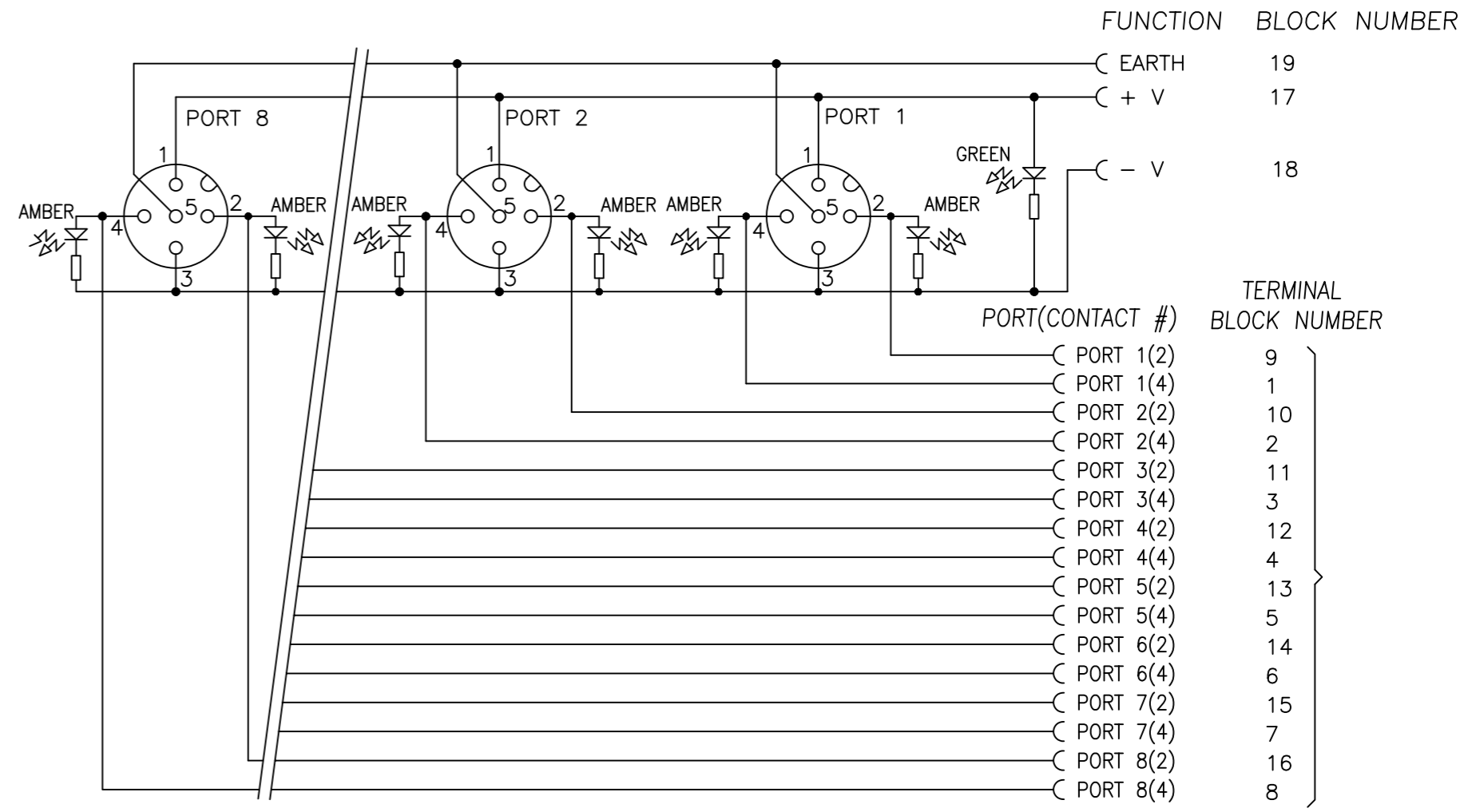
Please visit the [Contact Us](#) section for any
 non-product compliance questions.

Search Parts in this Series

[120114Series](#)



VIEW WITH COVER REMOVED TO SHOW POSITION OF PCB HEADERS



MATERIAL NUMBER	OLD PART NUMBER	FINISHED LENGTH
1201140082	BTY803P-FBA	-

VOLTAGE RATING	10-30 VDC
AMPERAGE RATING PER PORT	4 AMPS
PROTECTION	IP67
OPERATING TEMPERATURE	-20°C TO 90°C
UL CERTIFICATIONS	UL RECOGNIZED, FILE NO. E46237
CSA CERTIFICATIONS	CSA CERTIFIED, FILE NO. LR6837

ITEM	COMPONENT	MATERIAL	FINISH
1	CONTACT SOCKET	COPPER ALLOY	GOLD OVER NICKEL
2	O-RING	VITON	RED
3	RECEPTACLE SHELL	BRASS	NICKEL PLATED
4	HOUSING	PBT	YELLOW
5	LABEL	ABS	WHITE
6	LENS	NYLON	CLEAR

DESCRIPTION EC NO: WEU2010-0445 DRWN: LSTEMMLE 2010/03/19 CHKD: NSTAUDIG APPR: NSTAUDIG 2010/03/23	QUALITY SYMBOLS	GENERAL TOLERANCES (UNLESS SPECIFIED)	DIMENSION STYLE	SCALE	DESIGN UNITS	FIRST ANGLE PROJECTION													
	<p>▽ = 0</p> <p>∇ = 0</p>	<table border="1"> <thead> <tr> <th></th> <th>mm</th> <th>INCH</th> </tr> </thead> <tbody> <tr> <td>4 PLACES</td> <td>±---</td> <td>±---</td> </tr> <tr> <td>3 PLACES</td> <td>±---</td> <td>±---</td> </tr> <tr> <td>2 PLACES</td> <td>±---</td> <td>±.01</td> </tr> <tr> <td>1 PLACE</td> <td>±0.3</td> <td>±---</td> </tr> </tbody> </table> <p>ANGULAR ± --- °</p>		mm	INCH		4 PLACES	±---	±---	3 PLACES	±---	±---	2 PLACES	±---	±.01	1 PLACE	±0.3	±---	MM ONLY
	mm	INCH																	
4 PLACES	±---	±---																	
3 PLACES	±---	±---																	
2 PLACES	±---	±.01																	
1 PLACE	±0.3	±---																	
1	REV	DRAFT WHERE APPLICABLE MUST REMAIN WITHIN DIMENSIONS	SEE TABLE	<p>MICRO-CHANGE MPIS 8 PORT PNP TWIN PORT 5P FIELD ATTACHABLE</p> <p>MOLEX INCORPORATED</p>		SHEET NO. 1 OF 1													
MATERIAL NO.			DOCUMENT NO.		SD-120114-068														
THIS DRAWING CONTAINS INFORMATION THAT IS PROPRIETARY TO MOLEX INCORPORATED AND SHOULD NOT BE USED WITHOUT WRITTEN PERMISSION																			