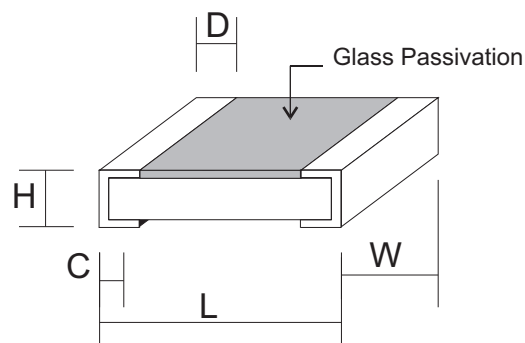


INTRODUCTION

RFE International, Inc. offers a wide range of chip resistors to meet your application requirements. They are made with metal glazed thick film on a high purity ceramic substrate which is overcoated for stability and protection. These resistors are lead free.

For Thin Film Resistors see RFE RMT Series
For Higher Power Resistors see RFE RMP Series

DIMENSIONS



TEMP. COEFFICIENT

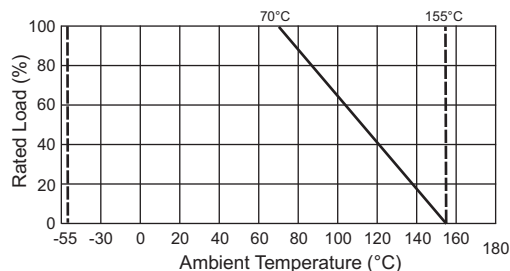
Type	Tolerance	Resistance Range	Temp. Coeff (PPM / °C)
0201	5%	1 ~ 9.9	+500 ~ -200
	1%, 5%	10 ~ 990	+300 ~ -300
0402	1%, 5%	1K ~ 10M	+200 ~ -200
	0.1%, 0.5%	10 ~ 1M	+200 ~ -200
0603	1% & 5%	1 ~ 9.9	+400 - 400
0805			
1206			
1210			
2010	5%	10 - 10M	+200 - 200
1812	1%	10 - 10M	+100 - 100
2512			
1218			
2030	0.10% & 0.5%	10 - 1M	+100 - 100

* Are also available less than 1 and greater than 10 ohms.
* For lower Temp. Coeff see RMT Series

Type	Dimensions (mm)				
	L	W	H	C	D
RM02 (0201)	0.6 ± 0.03	0.3 ± 0.03	0.23 ± 0.05	0.15 ± 0.05	0.15 ± 0.05
RM04 (0402)	1.0 ± 0.1	0.5 ± 0.05	0.35 ± 0.05	0.20 ± 0.1	0.2 ± 0.1
RM06 (0603)	1.6 ± 0.2	0.8 ± 0.15	0.50 ± 0.1	0.30 ± 0.2	0.3 ± 0.15
RM10 (0805)	2.0 ± 0.2	1.25 ± 0.15	0.50 ± 0.15	0.40 ± 0.2	0.3 ± 0.15
RM12 (1206)	3.2 ± 0.2	1.6 ± 0.12	0.60 ± 0.15	0.45 ± 0.2	0.4 ± 0.2
RM25 (1210)	3.2 ± 0.2	2.5 ± 0.2	0.60 ± 0.15	0.50 ± 0.2	0.5 ± 0.2
RM50 (2010)	5.0 ± 0.2	2.5 ± 0.2	0.60 ± 0.1	0.60 ± 0.2	0.6 ± 0.2
RM50S (1812)	4.5 ± 0.1	3.01 ± 0.1	0.80 ± 0.1	0.55 ± 0.05	0.4 ± 0.1
RM1W (2512)	6.3 ± 0.2	3.1 ± 0.2	0.65 ± 0.1	0.60 ± 0.2	0.6 ± 0.2
RM1WS (1218)	3.0 ± 0.1	4.6 ± 0.1	0.55 ± 0.05	0.45 ± 0.1	0.4 ± 0.1
RM2W (2030)	5.1 ± 0.1	7.6 ± 0.1	0.60 ± 0.05	0.80 ± 0.1	0.7 ± 0.1

DERATING CURVE

Operating Temp. Range -55°C ~ +155°C



RATINGS & STANDARD RANGES

Type	STD Power Rating	Max Working Voltage	Max Overload Voltage	Standard Resistance Range			Zero Ohm Rated Current	Zero Ohm Jumper Max Resistance
				±5% Tolerance	±1% Tolerance	±0.1% & 0.5% Tolerance		
RM02 (0201)	0.05	25	50	10 ~ 1M			0.5A	0.05
RM04 (0402)	0.0625W	50	100	1 ~ 10M	10 ~ 1M		1A	0.05
RM06 (0603)	0.1W	50	100	1 ~ 10M	1 ~ 1M	10 ~ 1M	1A	0.05
RM10 (0805)	0.125W	150	300	1 ~ 10M	1 ~ 1M	10 ~ 1M	1A	0.05
RM12 (1206)	0.25W	200	400	1 ~ 10M	1 ~ 1M	10 ~ 1M	2A	0.05
RM25 (1210)	0.33W	200	400	1 ~ 10M	1 ~ 1M	10 ~ 1M	2A	0.05
RM50 (2010)	0.5W	200	400	1 ~ 10M	1 ~ 1M	10 ~ 1M	2A	0.05
RM50S (1812)	0.5W	200	400	1 ~ 10M	1 ~ 1M	10 ~ 1M	2A	0.05
RM1W (2512)	1W	250*	500	1 ~ 10M	1 ~ 1M	10 ~ 1M	2A	0.05
RM1WS (1218)	1W	250*	500	1 ~ 10M	1 ~ 1M	10 ~ 1M	2A	0.05
RM2W (2030)	2W	250*	500	1 ~ 10M	1 ~ 1M	10 ~ 1M	2A	0.05

* Contact RFE International for actual voltage

PART NUMBER EXAMPLE RM 10 R - 10K - J