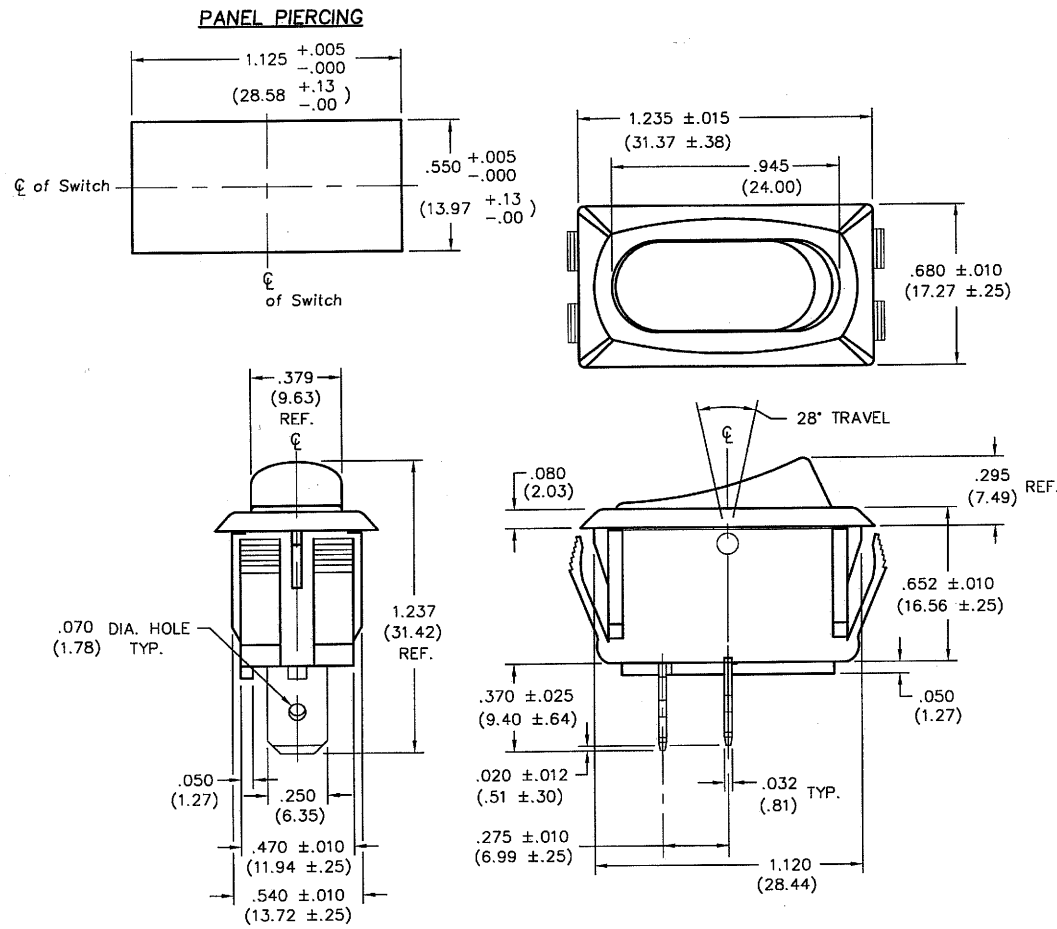


DIMENSIONS IN INCHES (MILLIMETERS)
DO NOT SCALE DRAWING

Dwg. No.
GRS-2011-2400 & -2401



P/N	MATERIAL COLOR
GRS-2011	
-2400	Button- Black BK-000 Housing- Black BK-000
-2401	Button- White WT-913 Housing- White WT-913

FORM-B4	REVISIONS	0	1
		RELEASED. DGW 3-30-2001	ADDED P/N CHART & -2401 TO DWG. NO.. DGW 8-13-2008
		MAY 3 2008	GG AUG 15 2008

PDF File Made:	CW INDUSTRIES Southampton, Pa. 18966	Title: ROCKER SWITCH S.P.D.T. ASSEMBLY STYLE LINE 1.125" x .550" PANEL	
	TOLERANCES UNLESS OTHERWISE SPECIFIED	Division: SWITCH	
	2 Place Decimal $\pm .010$ 3 Place Decimal $\pm .005$ Angles $\pm 1^\circ$	METRIC 1 Place Dec. $\pm .25$ mm 2 Place Dec. $\pm .13$ mm	Dwg. No. GRS-2011-2400 & -2401
	Made for: CW IND.		
	Drawn by: DGW 3-30-2001 Checked by: G. Guld 4-2-01 Approval: B.F. Flynn 4-5-01		

MASTER