

PLEASE CHECK WWW.MOLEX.COM FOR LATEST PART INFORMATION

Part Number: [0512271500](#)
Status: **Active**
Description: 2.00mm (.079") Pitch Wire-to-Wire Plug Housing, Positive Lock, 15 circuits

Documents:

[3D Model](#) [Product Specification PS-51216-006 \(PDF\)](#)
[Drawing \(PDF\)](#) [RoHS Certificate of Compliance \(PDF\)](#)

General

Product Family Crimp Housings
 Series [51227](#)
 Product Name N/A

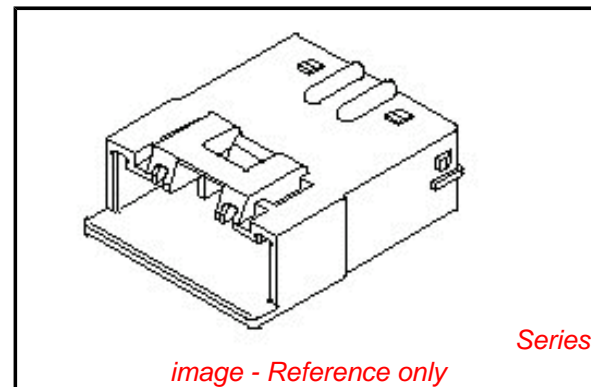
Physical

Circuits (maximum) 15
 Color - Resin Natural
 Gender Male
 Glow-Wire Compliant No
 Material - Resin Polyester
 Number of Rows 1
 Packaging Type Bag
 Panel Mount No
 Pitch - Mating Interface (in) 0.079 In
 Pitch - Mating Interface (mm) 2.00 mm
 Stackable No
 Temperature Range - Operating -25°C to +85°C

Material Info

Reference - Drawing Numbers

Product Specification PS-51216-006, RPS-51216-006, RPS-51216-012
 Sales Drawing SD-51227-002



EU RoHS

**ELV and RoHS
 Compliant**
**REACH SVHC
 Contains SVHC: No**
**Halogen-Free
 Status**

China RoHS



**Need more information on product
 environmental compliance?**

Email productcompliance@molex.com
 For a multiple part number RoHS Certificate of
 Compliance, [click here](#)

Please visit the [Contact Us](#) section for any
 non-product compliance questions.

Search Parts in this Series

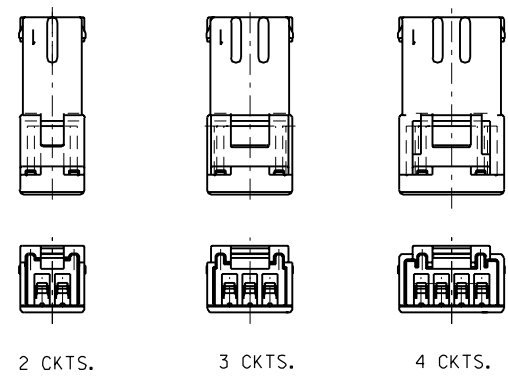
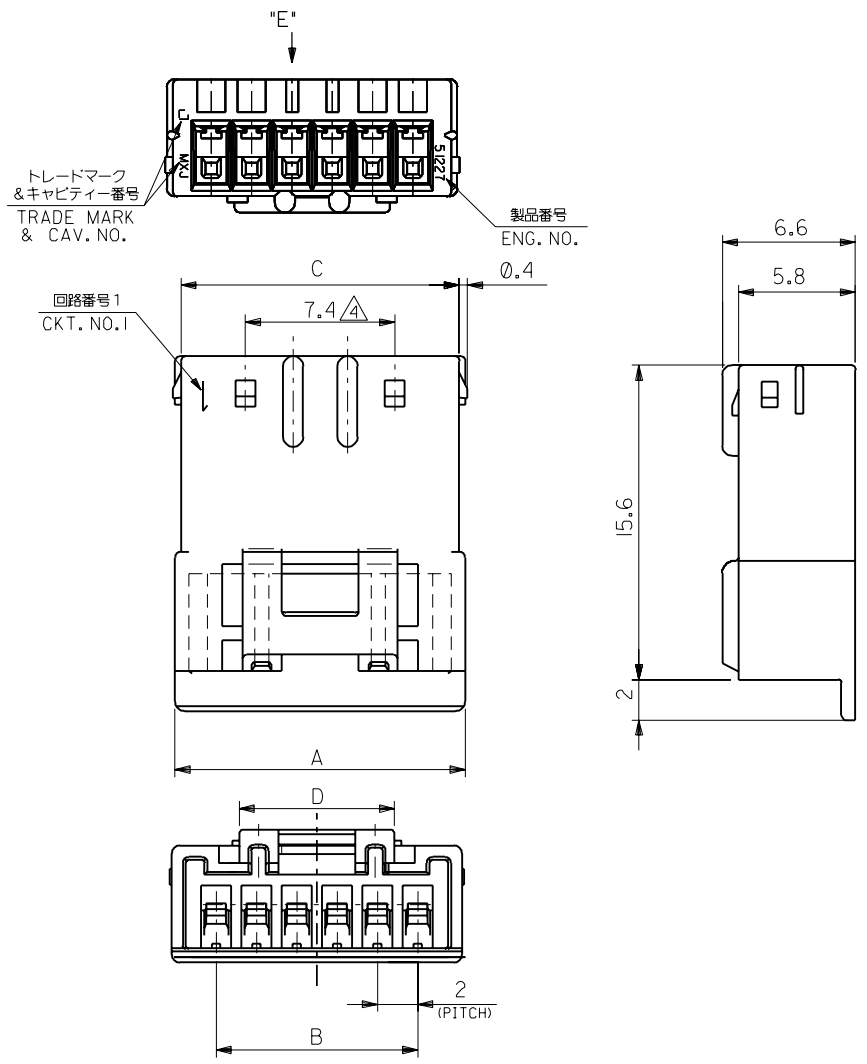
[51227Series](#)

Mates With

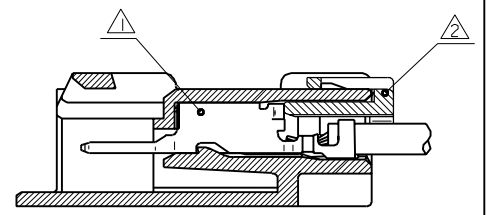
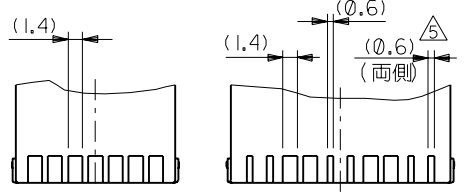
[51216 Housing](#)

Use With

[51217](#) , [56086](#)



2, 3, 4種レイアウト図
LAYOUT OF 2, 3 & 4 CKTS.



ターミナル及びリテーナー装着状態図
TERMINAL & RETAINER ASSEMBLY DRAWING

	7.7	31.8	28	32.4	51227-1500	15
↑	29.8	26	30.4		-1400	14
	27.8	24	28.4		-1300	13
	25.8	22	26.4		-1200	12
	23.8	20	24.4		-1100	11
	21.8	18	22.4		-1000	10
	19.8	16	20.4		-0900	9
	17.8	14	18.4		-0800	8
	15.8	12	16.4		-0700	7
	13.8	10	14.4		-0600	6
↓	11.8	8	12.4		-0500	5
	9.8	6	10.4		-0400	4
	7.7	7.8	4	8.4	-0300	3
	6.4	5.8	2	6.4	51227-0200	2
	D	C	B	A	MATERIAL NO.	CKT.

- 注記
NOTES
- ① 適合ターミナル : 56086シリーズ
 - ② 適合リテーナー : 51217シリーズ
APPLICABLE RETAINER : 51217 SERIES
 - 3. 嵌合相手 : 51216シリーズ
MATE WITH : 51216 SERIES
 - ④ 5~15極に適用。
APPLY 5-15 CIRCUITS.
 - ⑤ 10, 12, 14極に適用。
APPLY 10, 12, 14 CIRCUITS.

DO NOT SCALE DRAWING

EC NO. DRWN: CHK: APPR:	EC NO. DRWN: CHK: APPR:	EC NO. DRWN: CHK: APPR:	EC NO. DRWN: CHK: APPR:	RELEASED 01/06/21 EC NO. JC2001-1002 DRWN: H.II CHK: T.YAMAGUCHI APPR: T.YAMAGUCHI	MATERIAL 材料 PBTP, UL94V-0 [色: 自然色] [COLOR: NATURAL]	GENERAL TOLERANCES: (UNLESS SPECIFIED) 一般公差	SCALE DESIGN UNITS mm INCH	MODEL NO. THIRD ANGLE PROJECTION	DIMENSIONS: mm INCH mm ONLY	SHT REV
				0	FINISH 仕上げ //	10 UNDER 未満 ±0.2	DRAWN BY & DATE H.II 01/06/21	TITLE: 2.0 mm WIRE TO WIRE CONN. PLUG HOUSING		
					WIRE RANGE 適用電線範囲 //	10 OVER 30 UNDER 以上 未満 ±0.25	CHECKED BY & DATE T.YAMAGUCHI 01/06/21	MOLEX MOLEX INCORPORATED		
					INS. RANGE 被覆外径 //	30 OVER 以上 ±0.3	APPROVED BY & DATE T.YAMAGUCHI 01/06/21		MATERIAL NO. SEE CHART	DRAWING NO. SD-51227-002
						ANGLE 角度 ±3°	CAD FILENAME 51227002.S01	THIS DRAWING CONTAINS INFORMATION THAT IS PROPRIETARY TO MOLEX INCORPORATED AND SHOULD NOT BE USED WITHOUT WRITTEN PERMISSION.		SIZE B