

**PLEASE CHECK WWW.MOLEX.COM FOR LATEST PART INFORMATION**

**Part Number:** [0512271300](#)  
**Status:** **Active**  
**Description:** 2.00mm (.079") Pitch Wire-to-Wire Plug Housing, Positive Lock, 13 circuits

**Documents:**

[3D Model](#) [Product Specification PS-51216-006 \(PDF\)](#)  
[Drawing \(PDF\)](#) [RoHS Certificate of Compliance \(PDF\)](#)

**General**

Product Family Crimp Housings  
 Series [51227](#)  
 Product Name N/A

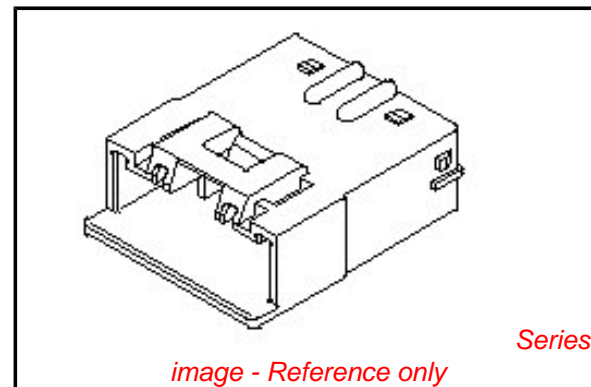
**Physical**

Circuits (maximum) 13  
 Color - Resin Natural  
 Gender Male  
 Glow-Wire Compliant No  
 Material - Resin Polyester  
 Number of Rows 1  
 Packaging Type Bag  
 Panel Mount No  
 Pitch - Mating Interface (in) 0.079 In  
 Pitch - Mating Interface (mm) 2.00 mm  
 Stackable No  
 Temperature Range - Operating -25°C to +85°C

**Material Info**

**Reference - Drawing Numbers**

Product Specification PS-51216-006, RPS-51216-006, RPS-51216-012  
 Sales Drawing SD-51227-002



**EU RoHS**

**ELV and RoHS  
 Compliant**  
**REACH SVHC  
 Contains SVHC: No**  
**Halogen-Free  
 Status  
 Not Reviewed**

**China RoHS**



**Need more information on product  
 environmental compliance?**

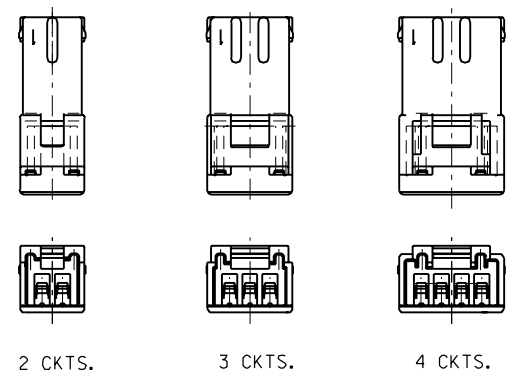
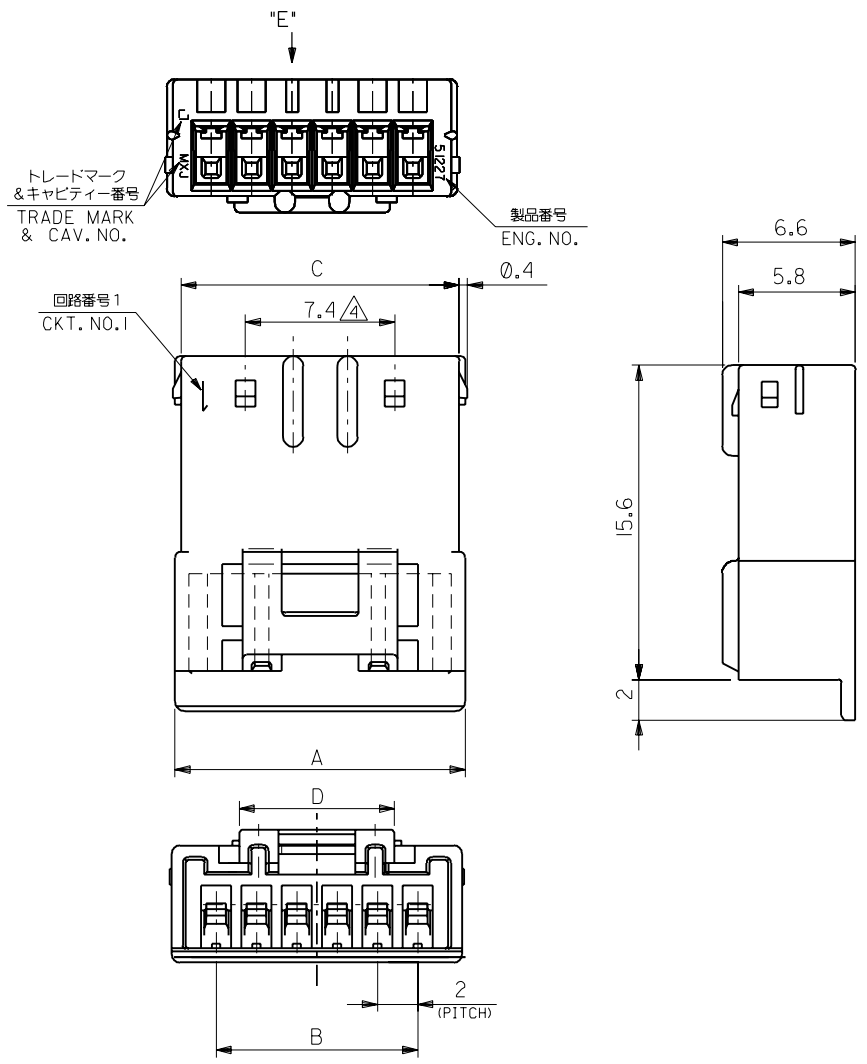
Email [productcompliance@molex.com](mailto:productcompliance@molex.com)  
 For a multiple part number RoHS Certificate of  
 Compliance, [click here](#)

Please visit the [Contact Us](#) section for any  
 non-product compliance questions.

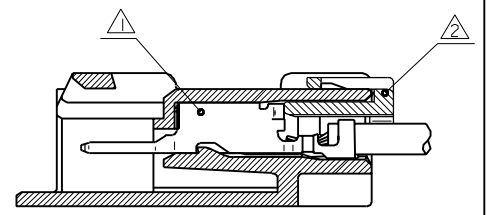
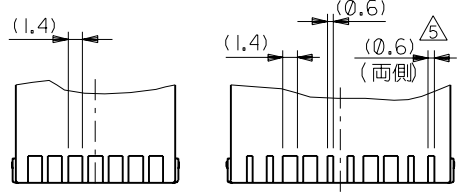
**Search Parts in this Series**  
[51227Series](#)

**Mates With**  
[51216 Housing](#)

**Use With**  
[51217](#) , [56086](#)



2, 3, 4種レイアウト図  
LAYOUT OF 2, 3 & 4 CKTS.



ターミナル及びリテーナー装着状態図  
TERMINAL & RETAINER ASSEMBLY DRAWING

D	C	B	A	MATERIAL NO.	CKT.	
7.7	31.8	28	32.4	51227-1500	15	
↑	29.8	26	30.4	-1400	14	
↑	27.8	24	28.4	-1300	13	
↑	25.8	22	26.4	-1200	12	
↑	23.8	20	24.4	-1100	11	
↑	21.8	18	22.4	-1000	10	
↑	19.8	16	20.4	-0900	9	
↑	17.8	14	18.4	-0800	8	
↑	15.8	12	16.4	-0700	7	
↑	13.8	10	14.4	-0600	6	
↑	11.8	8	12.4	-0500	5	
↑	9.8	6	10.4	-0400	4	
↑	7.7	7.8	4	8.4	-0300	3
↑	6.4	5.8	2	6.4	51227-0200	2

- 注記  
NOTES
- ① 適合ターミナル : 56086シリーズ
  - ② 適合リテーナー : 51217シリーズ  
APPLICABLE RETAINER : 51217 SERIES
  - 3. 嵌合相手 : 51216シリーズ  
MATE WITH : 51216 SERIES
  - ④ 5~15種に適用。  
APPLY 5-15 CIRCUITS.
  - ⑤ 10, 12, 14種に適用。  
APPLY 10,12,14 CIRCUITS.

DO NOT SCALE DRAWING

EC NO. DRWN: CHK'g APPR:	EC NO. DRWN: CHK'g APPR:	EC NO. DRWN: CHK'g APPR:	EC NO. DRWN: CHK'g APPR:	RELEASED '01/06/21	MATERIAL 材料 PBTP, UL94V-0 [色:自然色] [COLOR: NATURAL]	GENERAL TOLERANCES: (UNLESS SPECIFIED) 一般公差	SCALE	DESIGN UNITS	MODEL NO.	DIMENSIONS:		SHT	REV
				EC NO. JC2001-1002			10 UNDER 未満	mm	THIRD ANGLE PROJECTION	mm	mm ONLY		
0	0	0	0	DRWN: H.II	FINISH 仕上げ //	10 OVER 以上	30 UNDER 未満	H.II	TITLE: 2.0 mm WIRE TO WIRE CONN. PLUG HOUSING	MOLEX		MATERIAL NO.	DRAWING NO.
				CHK'g: T.YAMAGUCHI						30 OVER 以上	T.YAMAGUCHI '01/06/21		
				REV	WIRE RANGE 適用電線範囲 //	ANGLE 角度	51227002.S01	CAD FILENAME	SEE CHART				SIZE B

THIS DRAWING CONTAINS INFORMATION THAT IS PROPRIETARY TO MOLEX INCORPORATED AND SHOULD NOT BE USED WITHOUT WRITTEN PERMISSION.