

PLEASE CHECK WWW.MOLEX.COM FOR LATEST PART INFORMATION

Part Number: **0504557025**
Status: **Active**
Description: Circuit Breaker Terminal for 400MCM AWG, Closed Uninsulated Brazed Barrel, Stud Size M10, Oxygen-Free Copper, Length 72.00mm (2.835")

Documents:

[Drawing \(PDF\)](#) [RoHS Certificate of Compliance \(PDF\)](#)
[Product Specification PS-50449-002 \(PDF\)](#)

General

Product Family	Ring and Spade Terminals
Series	<u>50455</u>
Crimp Quality Equipment	Yes
Mil-Spec	N/A
Product Name	CB (Circuit Breaker)
Type	Rectangular

Physical

Barrel Type	Closed - Brazed
Insulation	None
Material - Plating Mating	Tin
Packaging Type	Bag
Plating min: Mating (µin)	40
Plating min: Mating (µm)	1
Plating min: Termination (µin)	40
Plating min: Termination (µm)	1
Stud Size	M10
Termination Interface: Style	Crimp or Compression
Wire Size AWG	400MCM
Wire Size mm ²	192.6 - 242.27

Material Info

Reference - Drawing Numbers

Product Specification	PS-50449-002
Sales Drawing	SD-50455-7*25



Series

image - Reference only

EU RoHS

ELV and RoHS Compliant
REACH SVHC
 Not Reviewed
Halogen-Free Status
 Not Reviewed

China RoHS



Need more information on product environmental compliance?

Email productcompliance@molex.com
 For a multiple part number RoHS Certificate of Compliance, [click here](#)

Please visit the [Contact Us](#) section for any non-product compliance questions.

Search Parts in this Series

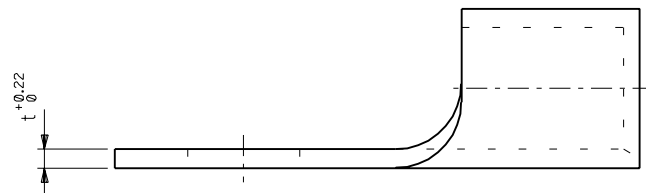
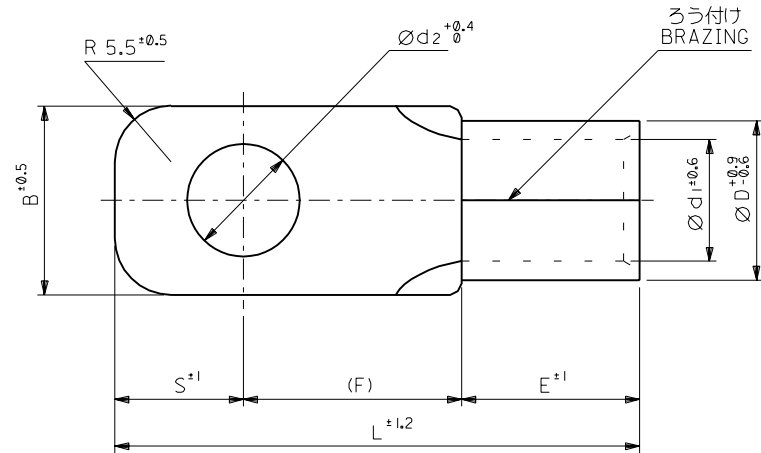
50455Series

Application Tooling | [FAQ](#)

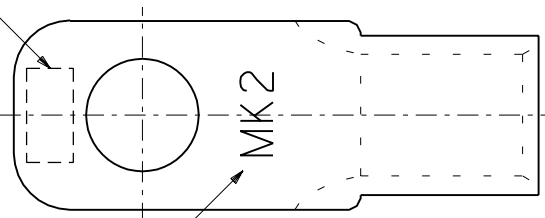
Tooling specifications and manuals are found by selecting the products below. Crimp Height Specifications are then contained in the Application Tooling Specification document.

Japan

Description	Product #
Tool Kit For 57343-9012	<u>0573439001</u>



呼び
NOMINAL SIZE



トレードマーク
TRADE MARK

注記
NOTES

1. 材質 MATERIAL

端子：無酸素銅、スズメッキ

TERMINAL: OXYGEN FREE HIGH CONDUCTIVITY COPPER, TIN PLATING

ろう付け部：銀ろう

PART OF BRAZING : SILVER SOLDER

2. 適用電線 APPLICABLE WIRE RANGE

単線 SOLID WIRE	撚線 STRANDED WIRE
Ø15.6-17.5 mm	192.6-242.27 mm ²

4.0	13.0	72.0	19.0	22.3	30.7	24.0	32.7	36.0	CB200-12S	50455-7125
	10.5								CB200-10S	50455-7025
t	d2	L	S	(F)	E	d1	D	B	呼び NOMINAL SIZE	ENG. NO.

角度 ANGLE	公差 TOLERANCES	記号 LTR	変更内容 REVISION RECORD	DR. / CHK.	日付 DATE
30° 以上 OVER	+0.3				
10° 以上 30° 未満 UNDER	+0.25				
10° 未満 UNDER	+0.2	0	新規作成 (JC90J24)		98/10/02

材料 MATERIAL	注記参照 SEE NOTES
仕上げ FINISH	注記参照 SEE NOTES
適用電線範囲 WIRE RANGE	注記参照 SEE NOTES
被覆外径 INS. RANGE	—
DRAWN BY '98/09/30	CHK'D BY '98/10/02
H.IIJIMA	T.YAMAGUCHI
APP'D BY '98/10/02	尺度 SCALE
M.FUKUSHIMA	—

MOLEX-JAPAN CO.,LTD. 日本モレックス株式会社	
REVISE ONLY ON CAD SYSTEM	
TITLE 名称 RING TERMINAL (FOR BREAKER) (銅線用裸圧着端子) (NON-INSULATED CRIMP-STYLE TERMINAL FOR COPPER CONDUCTORS)	
DWG. NO.	REV
SD-50455-7*25	0