

PLEASE CHECK WWW.MOLEX.COM FOR LATEST PART INFORMATION

Part Number: [5015915411](#)
Status: **Active**
Overview: [slimstack_mm016_pitch](#)
Description: 0.40mm (.016") Pitch SlimStack™ Board-to-Board Receptacle, SMT, Dual Row, Vertical Stacking, 0.90mm (.035") Stacking Height, With Solder Tabs, 54 Circuits

Documents:

[3D Model](#) [Product Specification PS-501591-002 \(PDF\)](#)
[Drawing \(PDF\)](#) [RoHS Certificate of Compliance \(PDF\)](#)

General

Product Family PCB Receptacles
 Series [501591](#)
 Application Board-to-Board
 Overview [slimstack_mm016_pitch](#)
 Product Name SlimStack™

Physical

Circuits (Loaded) 54
 Color - Resin Black
 Durability (mating cycles max) 20
 Glow-Wire Compliant No
 Lock to Mating Part Yes
 Mated Height (in) 0.035 In
 Mated Height (mm) 0.90 mm
 Material - Metal Phosphor Bronze
 Material - Plating Mating Gold
 Number of Rows 2
 Orientation Vertical
 PCB Locator No
 PCB Retention Yes
 Packaging Type Embossed Tape on Reel
 Pitch - Mating Interface (in) 0.016 In
 Pitch - Mating Interface (mm) 0.40 mm
 Polarized to Mating Part No
 Polarized to PCB No
 Stackable No
 Surface Mount Compatible (SMC) Yes
 Temperature Range - Operating -25°C to +85°C
 Termination Interface: Style Surface Mount

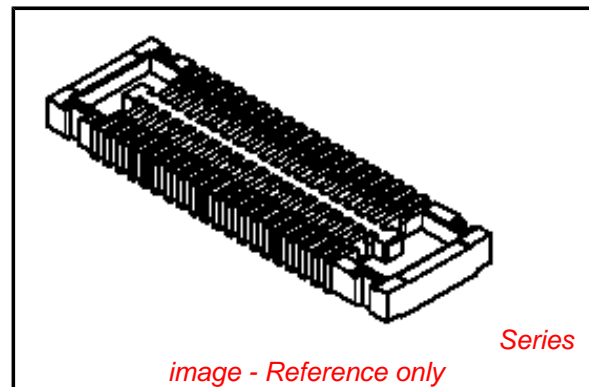
Electrical

Current - Maximum per Contact 0.3A
 Voltage - Maximum 50V AC (RMS)/DC

Material Info

Reference - Drawing Numbers

Packaging Specification SPK-501591-001
 Product Specification PS-501591-002, RPS-501591-007, RPS-501591-010, RPS-501591-011, RPS-501591-012, RPS-501591-013, RPS-501591-014, RPS-501591-016, RPS-501591-017, RPS-501591-019, RPS-501591-020
 Sales Drawing SD-501591-005, SD-501591-006



EU RoHS

ELV and RoHS Compliant
REACH SVHC
 Not Reviewed
Halogen-Free
Status
Not Reviewed

China RoHS



Need more information on product environmental compliance?

Email productcompliance@molex.com
 For a multiple part number RoHS Certificate of Compliance, [click here](#)

Please visit the [Contact Us](#) section for any non-product compliance questions.

Search Parts in this Series

[501591Series](#)

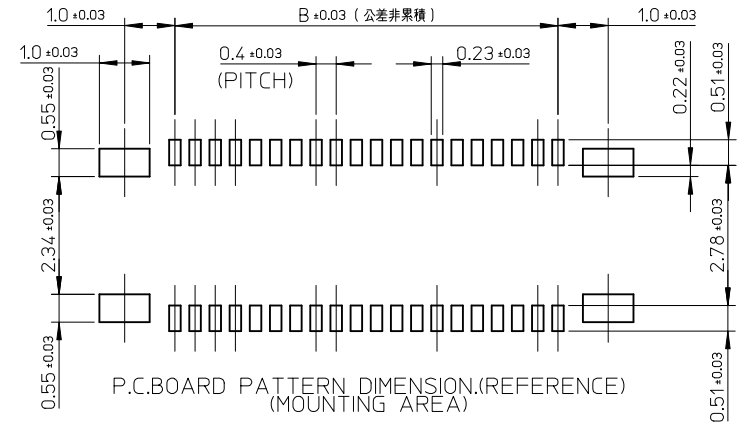
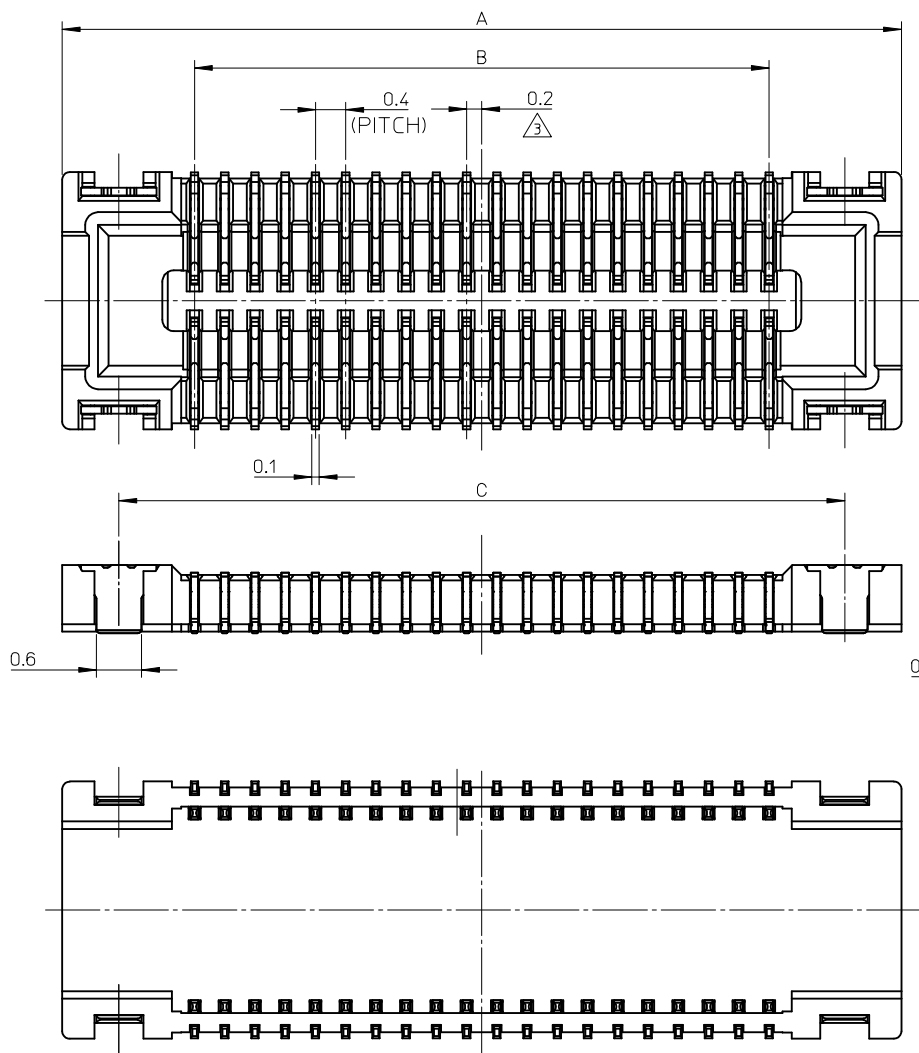
Mates With

[501594 PCB Header](#)

This document was generated on 05/24/2010

PLEASE CHECK WWW.MOLEX.COM FOR LATEST PART INFORMATION

10 9 8 7 6 5 4 3 2 1



15.6	13.6	17.1	501591-7011	501591-7010	70
12.4	10.4	13.9	501591-5411	501591-5410	54
11.6	9.6	13.1	501591-5011	501591-5010	50
10.4	8.4	11.9	501591-4411	501591-4410	44
9.6	7.6	11.1	501591-4011	501591-4010	40
8.4	6.4	9.9	501591-3411	501591-3410	34
7.6	5.6	9.1	501591-3011	501591-3010	30
6.8	4.8	8.3	501591-2611	501591-2610	26
6.4	4.4	7.9	501591-2411	501591-2410	24
6.0	4.0	7.5	501591-2211	501591-2210	22
5.6	3.6	7.1	501591-2011	501591-2010	20
4.0	2.0	5.5	501591-1211	501591-1210	12
3.6	1.6	5.1	501591-1011	501591-1010	10
C	B	A	EMBOSSED TAPE PACKAGE	MATERIAL NO.	CIRCUIT
			ORDER No.		

REVISED EC NO: J2008-3370 DRW:KSE10 2008/06/17 CHK:D:MSASAO 2008/06/17 APPR:MSASAO 2008/06/25	GENERAL TOLERANCES (UNLESS SPECIFIED)		DIMENSION STYLE MM ONLY		SCALE ---	DESIGN UNITS METRIC	THIRD ANGLE PROJECTION
	10 UNDER	± 0.2	DRAWN BY TASAKAWA	DATE 2006/07/10	TITLE 0.4MM PITCH B/B CONN. H=0.9 W=3.4 REC ASSY		
	10 OVER 30 UNDER	± 0.25	CHECKED BY MSASAO	DATE 2006/07/10	MOLEX INCORPORATED		
	30 OVER	± 0.3	APPROVED BY MSASAO	DATE 2006/07/10	MATERIAL NO. SEE TABLE	DOCUMENT NO. SD-501591-005	SHEET NO. 1 OF 2
	ANGULAR ± 3 °		THIS DRAWING CONTAINS INFORMATION THAT IS PROPRIETARY TO MOLEX INCORPORATED AND SHOULD NOT BE USED WITHOUT WRITTEN PERMISSION				
DRAFT WHERE APPLICABLE MUST REMAIN WITHIN DIMENSIONS							

注記 NOTES

1. 使用材料 MATERIAL

ハウジング: 液晶ポリマー (LCP) ガラス充填 UL-94V-0 (黒)
 HOSING: LIQUID CRYSTAL POLYMER (GLASS FILLED) UL94V-0 (COLOR:BLACK)

ターミナル: りん青銅 (t=0.1)
 TERMINAL: PHOSHOR BRONZE (t=0.1)

金具: りん青銅 (t=0.1)
 FITTING NAIL: PHOSHOR BRONZE (t=0.1)

2. メッキ仕様 PLATING

ターミナル TERMINAL

金メッキ 0.1マイクロメートル以上 (コンタクト部)
 GOLD 0.1 MICROMETER MINIMUM (CONTACT AREA)

金メッキ 0.05マイクロメートル以上 (テール部)
 GOLD 0.05 MICROMETER MINIMUM (TAIL AREA)

下地メッキ: ニッケルメッキ 1.0 マイクロメートル以上
 UNDER PLATING: NICKEL 1.0 MICROMETER MINIMUM

金具 FITTING NAIL

錫メッキ: 1.0マイクロメートル以上
 TIN PLATING: 1.0 MICROMETER MINIMUM

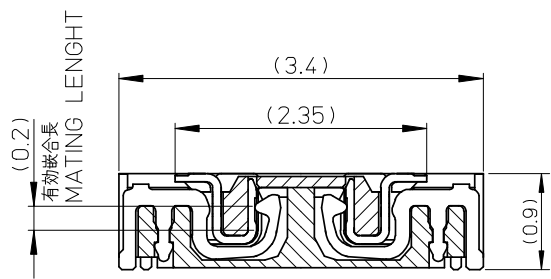
下地メッキ: ニッケル 1.0マイクロメートル以上
 UNDER PLATING: NICKEL 1.0 MICROMETER MINIMUM

△ (全極数/2)=偶数の場合に適用
 APPLY FOR (CIRCUIT/2)=EVEN

4. 嵌合相手: 501594-**10 シリーズ
 WITH MATE: 501594-**10 SERIES

5. テール及び金具の平坦度は、0.1以下
 TAIL AND FITTING NAIL COPLANARITY TO BE 0.1 MAXIMUM

6. ELV AND RoHS COMPLIANT.

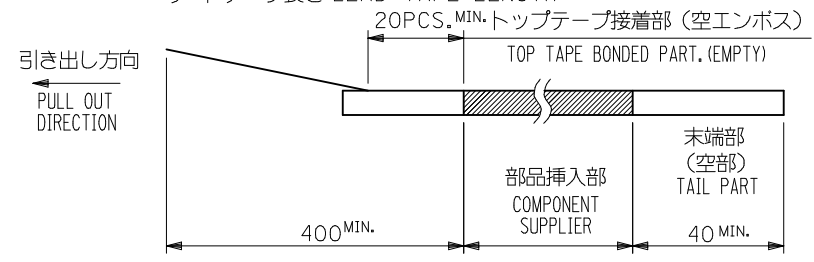
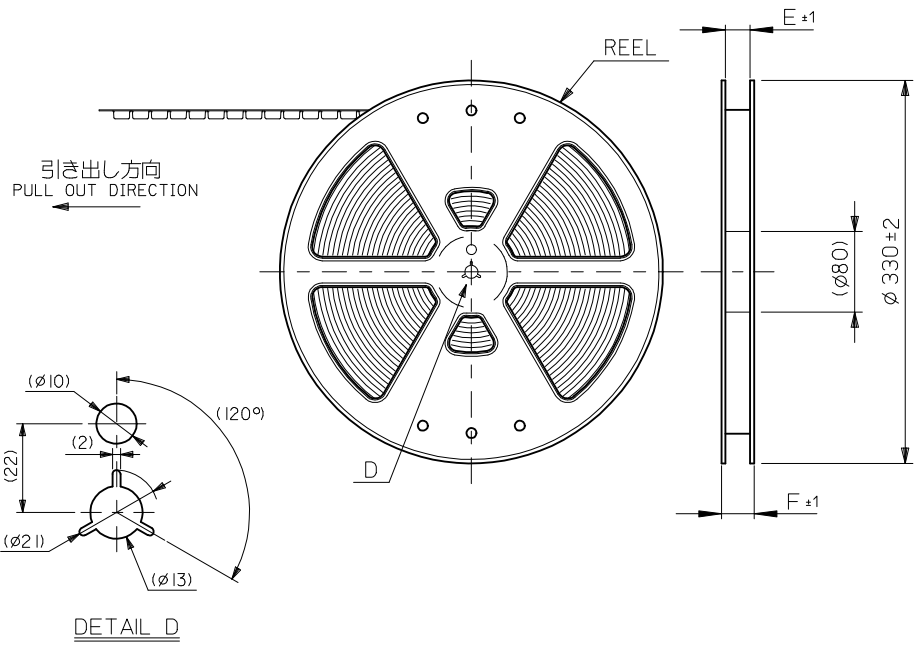


嵌合断面図 (参考)
 MATED DRAWING

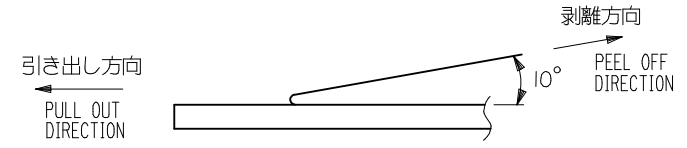
REVISED EC NO: J2008-3370 DRW:KSETO 2008/06/17 CHK:MSASAO 2008/06/17 APPR:MSASAO 2008/06/25 T	GENERAL TOLERANCES (UNLESS SPECIFIED)		DIMENSION STYLE MM ONLY		SCALE ---	DESIGN UNITS METRIC	THIRD ANGLE PROJECTION		
	10 UNDER	±0.2	DRAWN BY TASAKAWA	DATE 2006/07/10	TITLE 0.4MM PITCH B/B CONN. H=0.9 W=3.4 REC ASSY				
	10 OVER 30 UNDER	±0.25	CHECKED BY MSASAO	DATE 2006/07/10					
	30 OVER	±0.3	APPROVED BY MSASAO	DATE 2006/07/10	MOLEX INCORPORATED				
	ANGULAR ±3 °		MATERIAL NO. SEE SHEET 1						DOCUMENT NO. SD-501591-005
DRAFT WHERE APPLICABLE MUST REMAIN WITHIN DIMENSIONS			THIS DRAWING CONTAINS INFORMATION THAT IS PROPRIETARY TO MOLEX INCORPORATED AND SHOULD NOT BE USED WITHOUT WRITTEN PERMISSION						

NOTES

- 製品詳細寸法については製品単体図面を参照下さい。
RE DETAILED DIMENSION, SEE PRODUCT DRAWING.
- 梱包数量： 3000 個/リール
NUMBER OF CONNECTORS : 3000 PCS/REEL
- リードテープ長さ LEAD TAPE LENGTH



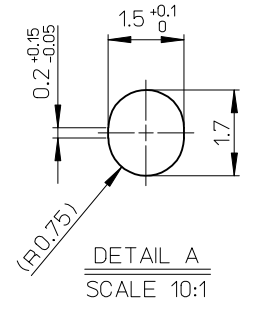
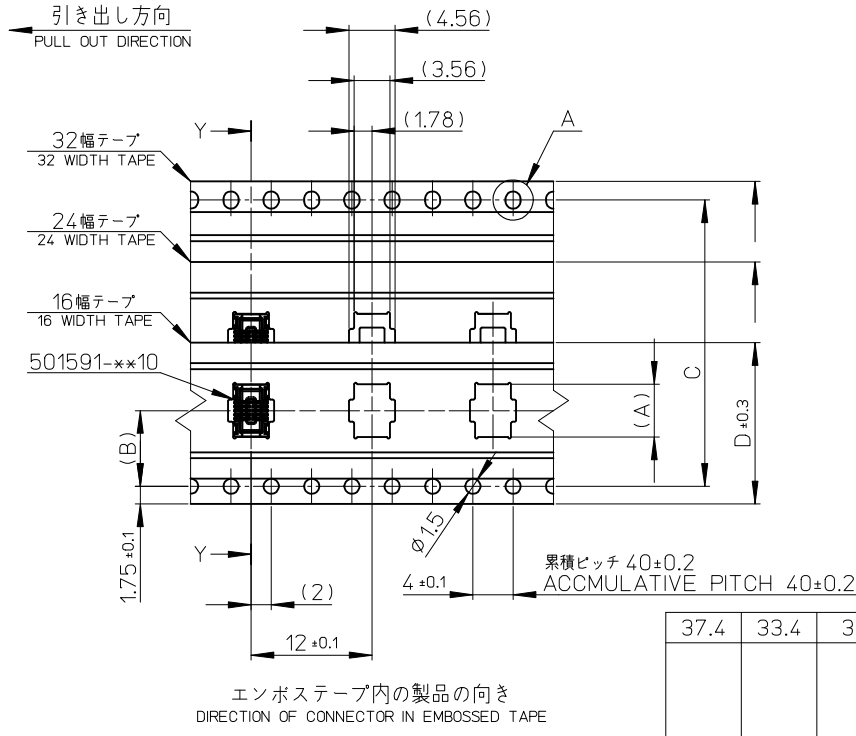
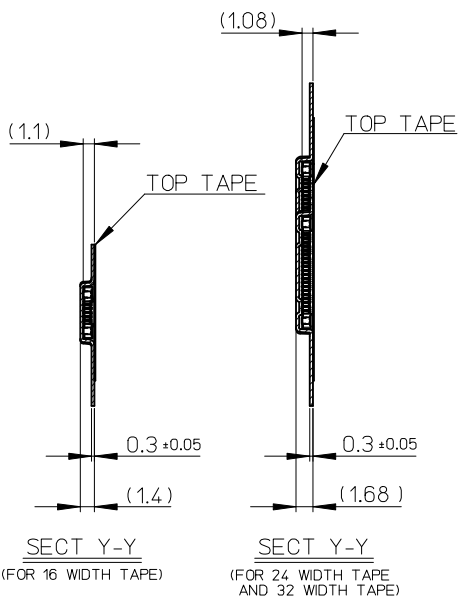
- トップテープの剥離強度： JES-59 参照
剥離方向は下図参照。
PEELING OFF STRENGTH OF TOP TAPE : REFER TO JES-59
PEELING DIRECTION AS SHOWN IN FOLLOWING FIGURE.



- 材料 MATERIAL
キャリアテープ (CARRIER TAPE) : ホリスチレン (POLYSTYLENE)
トップテープ (TOPTAPE) : PET , PE , PEF
リール (REEL) : ポリスチレン (PS) <リサイクル材を含む>
POLYSTYLENE (PS) <RECYCLE MATERIAL CONTAINED>

6.ELV AND RoHS COMPLIANT.

REVISED EC NO: J2008-3370 DRW:KSETO 2008/06/17 CHKD:MSASAO 2008/06/17 APPR:MSASAO 2008/06/25	DESCRIPTION REV	GENERAL TOLERANCES (UNLESS SPECIFIED)		DIMENSION STYLE MM ONLY		SCALE ---	501591-**11	MODEL NO.	
		10 UNDER	±0.2	DRAWN BY TASAKAWA	DATE 2006/07/10	TITLE	0.4 B-TO-B CONN. REC ASSY (HGT=0.9) EMBSTP PKG		
		10 OVER 30 UNDER	±0.25	CHECKED BY MSASAO	DATE 2006/07/10	MOLEX INCORPORATED			
		30 OVER	±0.3	APPROVED BY MSASAO	DATE 2006/07/10				
ANGULAR ±3 °		DRAFT WHERE APPLICABLE MUST REMAIN WITHIN DIMENSIONS		MATERIAL NO. SEE SHEET 1		DOCUMENT NO. SD-501591-006		SHEET NO. 1 OF 2	
THIS DRAWING CONTAINS INFORMATION THAT IS PROPRIETARY TO MOLEX INCORPORATED AND SHOULD NOT BE USED WITHOUT WRITTEN PERMISSION									



37.4	33.4	32	28.4	14.2	17.26	501591-7011	70
					14.06	501591-5411	54
					13.26	501591-5011	50
					12.06	501591-4411	44
					11.26	501591-4011	40
29.4	25.4	24	—	11.5	10.06	501591-3411	34
					9.26	501591-3011	30
					8.46	501591-2611	26
					8.06	501591-2411	24
					7.66	501591-2211	22
					7.26	501591-2011	20
21.4	17.4	16	—	7.5	5.66	501591-1211	12
					5.26	501591-1011	10
F	E	D	C	(B)	(A)	MATERIAL No.	極数 CKT

REVISED EC NO: J2008-3370 DRW:KSE10 2008/06/17 CHK:D:MSASAO 2008/06/17 APPR:MSASAO 2008/06/25	GENERAL TOLERANCES (UNLESS SPECIFIED)		DIMENSION STYLE MM ONLY		SCALE ---	DESIGN UNITS METRIC		501591-**11 MODEL No.	
	10 UNDER	± 0.2	DRAWN BY TASAKAWA		DATE 2006/07/10	TITLE 0.4 B-TO-B CONN. REC ASSY (HGT=0.9) EMBSTP PKG			
	10 OVER 30 UNDER	± 0.25	CHECKED BY MSASAO		DATE 2006/07/10	APPROVED BY MSASAO			
	30 OVER	± 0.3	APPROVED BY MSASAO		DATE 2006/07/10	MATERIAL NO. SEE TABLE		DOCUMENT NO. SD-501591-006	
	ANGULAR ± 3 °	DRAFT WHERE APPLICABLE MUST REMAIN WITHIN DIMENSIONS		SIZE A3		THIS DRAWING CONTAINS INFORMATION THAT IS PROPRIETARY TO MOLEX INCORPORATED AND SHOULD NOT BE USED WITHOUT WRITTEN PERMISSION			