

PLEASE CHECK WWW.MOLEX.COM FOR LATEST PART INFORMATION

Part Number: [0440671601](#)
Status: **Active**
Overview: [microfit_30](#)
Description: 3.00mm (.118") Pitch Micro-Fit 3.0™ Wire-to-Board Header, Dual Row, Vertical for up to 3.56mm (.140") Thick PCB, 16 Circuits, Tin (Sn) Plating

Documents:

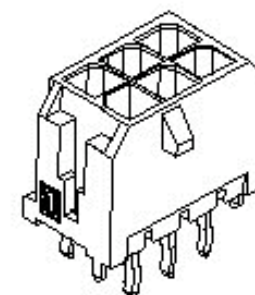
[3D Model](#) [Product Specification PS-43045 \(PDF\)](#)
[Drawing \(PDF\)](#) [RoHS Certificate of Compliance \(PDF\)](#)

General

| | |
|----------------|---|
| Product Family | PCB Headers |
| Series | 44067 |
| Application | Wire-to-Board |
| Comments | High Temperature, Polarization Key to PCB |
| Overview | microfit_30 |
| Product Name | Micro-Fit 3.0™ |

Physical

| | |
|--------------------------------|--------------------------------|
| Breakaway | No |
| Circuits (Loaded) | 16 |
| Circuits (maximum) | 16 |
| Color - Resin | Black |
| Durability (mating cycles max) | 30 |
| First Mate / Last Break | No |
| Glow-Wire Compliant | No |
| Guide to Mating Part | No |
| Keying to Mating Part | None |
| Lock to Mating Part | Yes |
| Material - Plating Mating | Tin |
| Material - Plating Termination | Tin |
| Material - Resin | High Temperature Thermoplastic |
| Number of Rows | 2 |
| Orientation | Vertical |
| PC Tail Length (in) | 0.158 In |
| PC Tail Length (mm) | 4.01 mm |
| PCB Locator | Yes |
| PCB Retention | Yes |
| PCB Thickness Recommended (in) | 0.140 In |
| PCB Thickness Recommended (mm) | 3.60 mm |
| Packaging Type | Tray |
| Pitch - Mating Interface (in) | 0.118 In |
| Pitch - Mating Interface (mm) | 3.00 mm |
| Pitch - Term. Interface (in) | 0.118 In |
| Pitch - Term. Interface (mm) | 3.00 mm |
| Plating min: Mating (µin) | 100 |
| Plating min: Mating (µm) | 2.5 |
| Plating min: Termination (µin) | 100 |
| Plating min: Termination (µm) | 2.5 |
| Polarized to PCB | Yes |
| Shrouded | Fully |
| Stackable | No |
| Surface Mount Compatible (SMC) | Yes |
| Temperature Range - Operating | -40°C to +105°C |
| Termination Interface: Style | Through Hole - Kinked Pin |



Series

image - Reference only

EU RoHS

ELV and RoHS Compliant

REACH SVHC

Contains SVHC: No

Halogen-Free

Status

Not Reviewed

China RoHS



Need more information on product environmental compliance?

Email productcompliance@molex.com
 For a multiple part number RoHS Certificate of Compliance, [click here](#)

Please visit the [Contact Us](#) section for any non-product compliance questions.

Search Parts in this Series

[44067Series](#)

Mates With

[43025 Micro-Fit™ Header](#)

Electrical

| | |
|-------------------------------|------|
| Current - Maximum per Contact | 5A |
| Voltage - Maximum | 250V |

Solder Process Data

| | |
|--|------------------------------|
| Duration at Max. Process Temperature (seconds) | 30 |
| Lead-free Process Capability | SMC & Wave Capable (TH only) |
| Max. Cycles at Max. Process Temperature | 3 |
| Process Temperature max. C | 260 |

Material Info**Reference - Drawing Numbers**

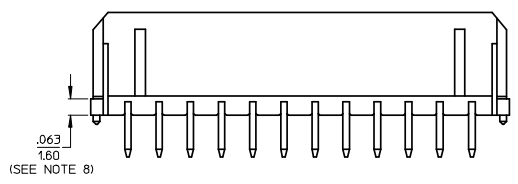
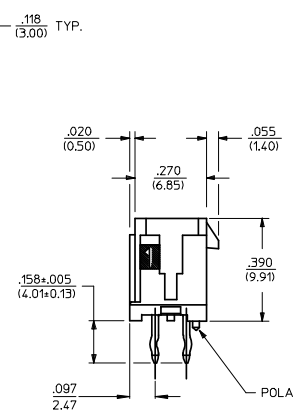
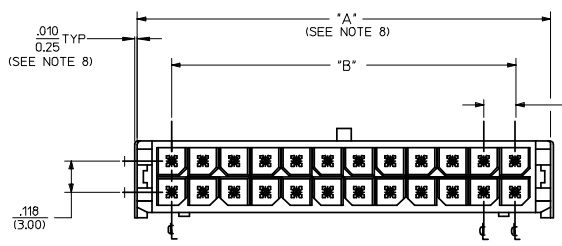
| | |
|-------------------------|---------------|
| Packaging Specification | PK-70873-0314 |
| Product Specification | PS-43045 |
| Sales Drawing | SD-44067-001 |

This document was generated on 05/24/2010

PLEASE CHECK WWW.MOLEX.COM FOR LATEST PART INFORMATION

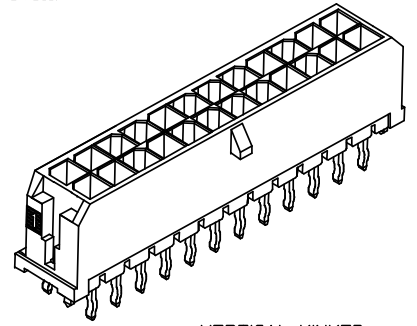
| ASSEMBLY ITEM NUMBER | PART CHARACTERISTICS FOR VERTICAL | |
|----------------------|-----------------------------------|----------------|
| | NUMBER OF POSITION | PLATING OPTION |
| 44067-0201 | 02 | A |
| 44067-0202 | 02 | B |
| 44067-0203 | 02 | C |
| 44067-0401 | 04 | A |
| 44067-0402 | 04 | B |
| 44067-0403 | 04 | C |
| 44067-0601 | 06 | A |
| 44067-0602 | 06 | B |
| 44067-0603 | 06 | C |
| 44067-0801 | 08 | A |
| 44067-0802 | 08 | B |
| 44067-0803 | 08 | C |
| 44067-1001 | 10 | A |
| 44067-1002 | 10 | B |
| 44067-1003 | 10 | C |
| 44067-1201 | 12 | A |
| 44067-1202 | 12 | B |
| 44067-1203 | 12 | C |
| 44067-1401 | 14 | A |
| 44067-1402 | 14 | B |
| 44067-1403 | 14 | C |
| 44067-1601 | 16 | A |
| 44067-1602 | 16 | B |
| 44067-1603 | 16 | C |
| 44067-1801 | 18 | A |
| 44067-1802 | 18 | B |
| 44067-1803 | 18 | C |
| 44067-2001 | 20 | A |
| 44067-2002 | 20 | B |
| 44067-2003 | 20 | C |
| 44067-2201 | 22 | A |
| 44067-2202 | 22 | B |
| 44067-2203 | 22 | C |
| 44067-2401 | 24 | A |
| 44067-2402 | 24 | B |
| 44067-2403 | 24 | C |

| CKT. NO. | DIM. "A" (SEE NOTE 8) | DIM. "B" | DIM. "C" |
|----------|--------------------------|---------------|---------------|
| 2 | .262/(6.65) | NA | SEE LAYOUT |
| 4 | .380/(9.65) | .118/(3.00) | SEE LAYOUT |
| 6 | .498/(12.65) | .236/(6.00) | .472/(12.00) |
| 8 | .616/(15.65) | .354/(9.00) | .590/(15.00) |
| 10 | .734/(18.65) | .472/(12.00) | .708/(18.00) |
| 12 | .852/(21.65) | .591/(15.00) | .827/(21.00) |
| 14 | .970/(24.65) | .709/(18.00) | .945/(24.00) |
| 16 | 1.088/(27.65) | .827/(21.00) | 1.063/(27.00) |
| 18 | 1.206/(30.65) | .945/(24.00) | 1.181/(30.00) |
| 20 | 1.325/(33.65) | 1.063/(27.00) | 1.299/(33.00) |
| 22 | 1.443/(36.65) | 1.181/(30.00) | 1.417/(36.00) |
| 24 | 1.561/(39.65) | 1.299/(33.00) | 1.535/(39.00) |

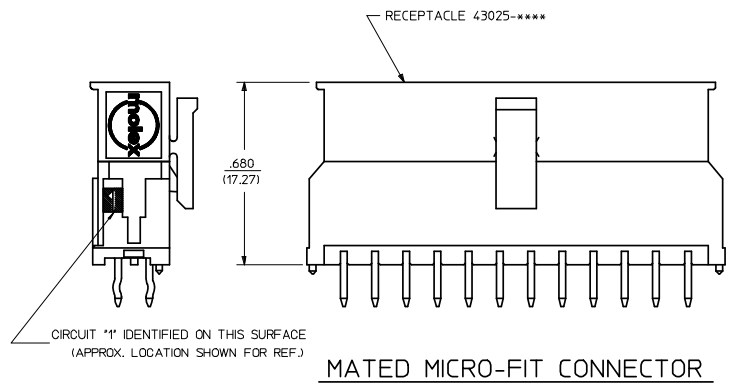


- NOTES:**
- MATERIAL:
HOUSING - LIQUID CRYSTAL POLYMER (LCP), GLASS-FILLED UL94V-0, COLOR - BLACK
TERMINAL - BRASS ALLOY
 - FINISHES:
* "A" = .000100/(0.00254) MIN. TIN OVER .000050/(0.00127) MIN. NICKEL PLATE.
* "B" = .000015/(0.00038) MIN. SELECT GOLD IN CONTACT AREA, .000100/(0.00254) MIN. SELECT MATTE TIN ON SOLDER TAILS, BOTH OVER .000050/(0.00127) MIN. NICKEL PLATE.
* "C" = .000030/(0.00076) MIN. SELECT GOLD IN CONTACT AREA, .000100/(0.00254) MIN. SELECT MATTE TIN ON SOLDER TAILS, BOTH OVER .000050/(0.00127) MIN. NICKEL PLATE.
 - THE PRIMARY SHIPPING CARTON WILL BE LABELED, COMPLIANT TO RoHS DIRECTIVE 2002/95/EC AND ELV ANNEX II OF DIRECTIVE 2000/53/EC, AND CARTONS WITHOUT THIS LABEL MAY CONTAIN PRODUCT WITH TIN-LEAD IN THE PC TAIL.
 - PRODUCT SPECIFICATION: PS-43045.
 - PACKAGING SPECIFICATIONS ARE SHOWN ON DRAWING #PK-70873-0314.
 - THIS HEADER MATES WITH MICRO-FIT RECEPTACLE #43025-****.
 - THIS HEADER IS DESIGNED IN METRIC.
 - DESIGNED FOR .140/(3.56) MAX. THICK P.C. BOARDS.
 - .010/0.25 OFFSETS ARE PRESENT ON ALL PARTS MANUFACTURED AFTER 11/1/2007, AND ON PARTS PRIOR TO 11/1/2007 THAT CONTAIN A GREEN DOT ON THE PRIMARY SHIPPING CARTON LABEL.
 - THIS PART CONFORMS TO CLASS B REQUIREMENTS OF COSMETIC SPECIFICATION PS-45499-002.

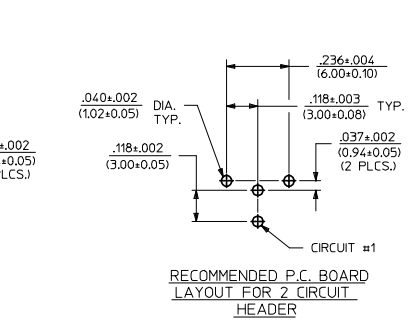
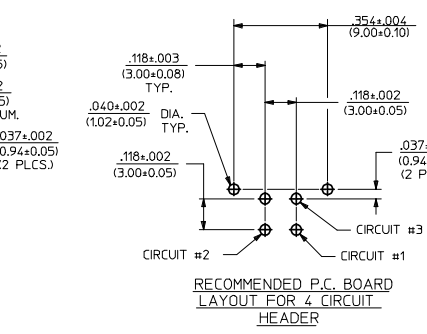
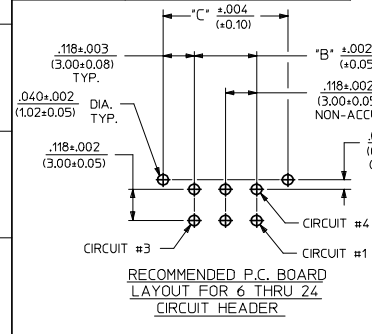
VERTICAL O.T.R. THRU HOLE
(LONGER P.C. TAIL LENGTH)



VERTICAL KINKED THRU HOLE HEADER
ISO VIEW



MATED MICRO-FIT CONNECTOR



| | | | | | | | | | |
|---|--------------------------------------|---|------------|---------------------------------|------------------------------|---|------------------------|------------------------|--|
| ADD .097 DIM. NOTE 9 EC NO: UCP-2008-0324 DRWN:MKL/PPR 2007/12/19 CHKD:SSOUSEK 2007/12/20 APPR:FSM/TH 2007/12/21 | QUALITY SYMBOLS ▽=0 ▽=0 | GENERAL TOLERANCES (UNLESS SPECIFIED) | | DIMENSION STYLE IN/MM | | SCALE 4:1 | DESIGN UNITS METRIC | THIRD ANGLE PROJECTION | |
| | | 4 PLACES ± --- ± --- 3 PLACES ± --- ± .010 2 PLACES ± 0.25 ± .014 1 PLACE ± 0.36 ± --- | mm INCH | DRAWN BY A. GUZIK | DATE 1997/12/25 | TITLE MICRO-FIT(3.0) 2-24 CKT. VERTICAL | | | |
| | | ANGULAR ± 1/2° | | APPROVED BY R. EDGLEY | DATE 1997/12/25 | MOLEX INCORPORATED | | | |
| | | DRAFT WHERE APPLICABLE MUST REMAIN WITHIN DIMENSIONS | | MATERIAL NO. SEE CHART | DOCUMENT NO. SD-44067-001 | SHEET NO. 1 OF 1 | | | |