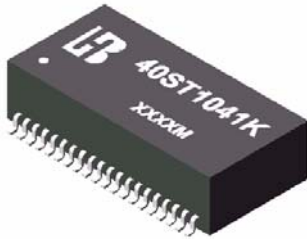


40 PIN SMD ETHERNET 10/100 BASE-TX QUAD PORT TRANSFORMER

P/N: 40ST1041K DATA SHEET

Feature



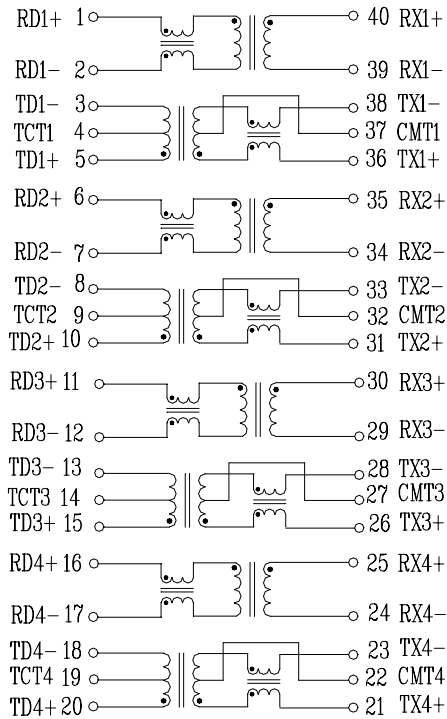
- Patented interlock base design.
- Compliant with IEEE 802.3u and ANSI X3.263 standards including.
- Models designed to support four single or double stacked RJ-45 connectors.
- IC grade transfer-molded package withstands 235°C peak temperature profile.
- Operating temperature range : 0°C to +70°C.
- Storage temperature range: -25°C to +125°C.

Electrical Specifications @ 25°C

Part Number	Turns Ratio (±5%)		OCL(μH Min) @100KHz/0.1Vrms 8mA DC/Bias	Pri/Sec CW/W (pF Max)	TX/RX L.L (uH Max)	CMR (dB Min)	HI-POT (Vrms)
	TX	RX				0.3-60MHz	
40ST1041K	1CT:1CT	1:1	350	28	0.5	-30	1500

Part Number	Insertion Loss (dB Max)	Return Loss (dB Min)			Cross talk (dB Min)	DCMR (dB Min)	
		0.3-30MHz	30-60MHz	60-80MHz		0.3-100 MHz	1-60 MHz
40ST1041K	-1.15	-16	-12	-10	-38	-37	-25

Schematic



Mechanical

