

**PLEASE CHECK WWW.MOLEX.COM FOR LATEST PART INFORMATION**

**Part Number:** [0357251400](#)  
**Status:** **Active**  
**Description:** 6.35mm (.250") Tab Slip-In Wire-to-Wire Terminal, Male, 14-18 AWG, Unplated

**Documents:**

[Drawing \(PDF\)](#) [RoHS Certificate of Compliance \(PDF\)](#)  
[Product Specification PS-35725-001 \(PDF\)](#)

**General**

Product Family	Crimp Terminals
Series	<a href="#">35725</a>
Crimp Quality Equipment	Yes
Product Name	N/A

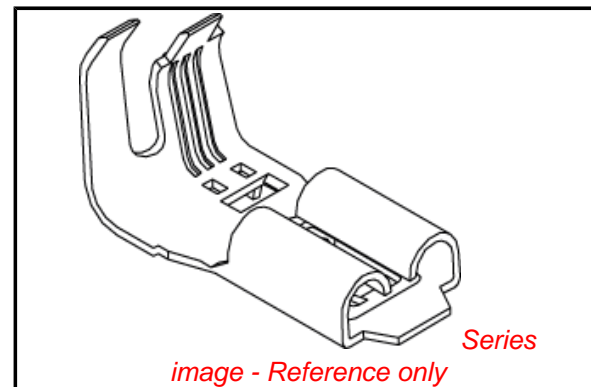
**Physical**

Gender	Male
Material - Metal	Brass
Material - Plating Mating	Unplated
Packaging Type	Reel
Termination Interface: Style	Crimp or Compression
Wire Insulation Diameter	3.60mm (.142") max.
Wire Size AWG	14, 16, 18
Wire Size mm <sup>2</sup>	N/A

**Material Info**

**Reference - Drawing Numbers**

Product Specification	PS-35725-001
Sales Drawing	SD-35725-1**0



**EU RoHS**

**ELV and RoHS  
Compliant**  
**REACH SVHC  
Contains SVHC: No**  
**Halogen-Free  
Status**

**China RoHS**



**Need more information on product  
environmental compliance?**

Email [productcompliance@molex.com](mailto:productcompliance@molex.com)  
 For a multiple part number RoHS Certificate of Compliance, [click here](#)

Please visit the [Contact Us](#) section for any non-product compliance questions.

**Search Parts in this Series**

[35725Series](#)

**Mates With**

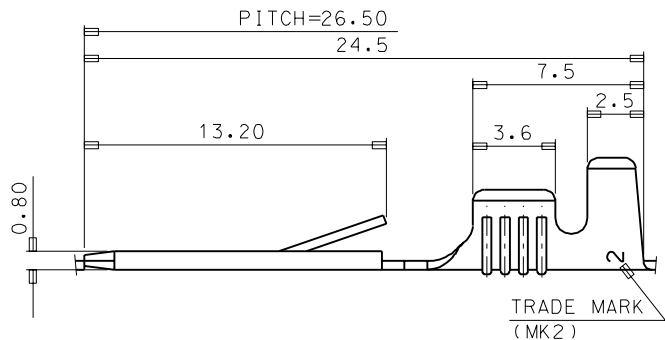
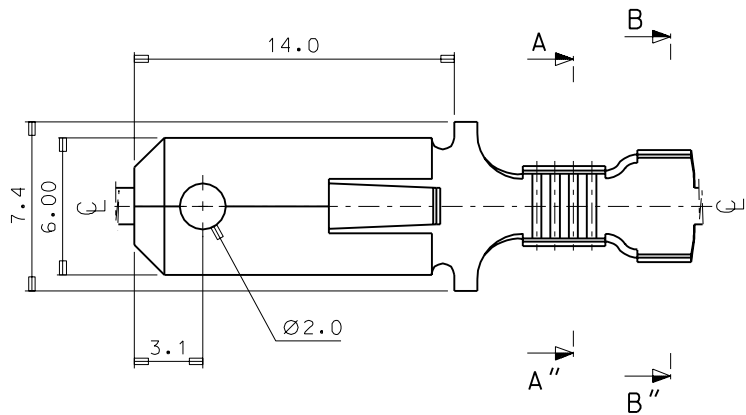
[35725-33xx](#)|[35725-34xx](#)|[35725-35xx](#)|  
[35725-53\\*\\*](#)

ENG. NO  
SD 35725-14\*0/15\*0

EDP NO.

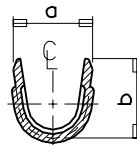
SIMILAR ITEM

PROJECT NO.

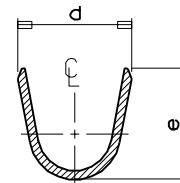


NOTES

1. FINISH: UNPLATED(35725-1400/1500)  
POST-TIN PLATED(35725-1410/1510)
2. MATING RECEPTACLE TERMINALS: 35725-33\*0/34\*0/35\*0
3. RECOMMENDED LENGTH OF WIRE STRIP IS 4.8-5.3



SECTION A-A"



SECTION B-B"

ENG'G NO	a	b	d	e	WIRE RANGE
35725-14*0	3.5	3.5	4.9	4.9	AWG #18-#14
35725-15*0	3.9	4.9	5.4	5.6	AWG #14-#10

WIRE RANGE SEE TABLE					MATERIAL BRASS 0.39mm THICKNESS	MOLEX-KOREA CO.,LTD.	
INSULATION RANGE ---	B	REVISED	96-116	96 10.16	GENERAL TOLERANCE DIMENSION : ±0.30 ANGLE :		
DIE FEED: ---	A	CAD DRAWING	93-016	93 7.5	DIMENSION CLASSIFICATION ▽ : CRITICAL ▼ : MAJOR ( ) : REFERENCE	APP'D BY	SCALE 5/1
APPLICATOR FEED: 26.5	LTR	REVISION RECORD	ECN	DATE	ASS'Y PART DESCRIPTION ENG. NO.	TITLE: .250 SLIP-IN TAB	
O'TY/ REEL OR PACK 4,000 O'TY/REEL	REVISE ONLY ON CAD SYSTEM				---	---	SHEET 1 of 1
						ENG. NO. SD 35725-14*0/15*0	REV B