

PLEASE CHECK WWW.MOLEX.COM FOR LATEST PART INFORMATION

Part Number: [0351800404](#)
Status: **Active**
Description: 1.78mm (.070") Tab Multiple Wire-to-Wire Male Housing With Ear, 4 Circuits, Vertical, Polyester UL94V-0, Blue

Documents:

[Drawing \(PDF\)](#) [RoHS Certificate of Compliance \(PDF\)](#)
[Product Specification PS-35180-002 \(PDF\)](#)

Agency Certification

CSA LR19980
 UL E29179

General

Product Family Crimp Housings
 Series [35180](#)
 Comments Polarized to Mating Part
 Product Name N/A

Physical

Breakaway No
 Circuits (maximum) 4
 Color - Resin Blue
 Flammability 94V-0
 Gender Male
 Glow-Wire Compliant No
 Keying to Mating Part None
 Lock to Mating Part Yes
 Material - Resin Polyester
 Number of Rows 2
 Packaging Type Bag
 Panel Mount Yes
 Pitch - Mating Interface (in) 0.315 In, 0.343 In
 Pitch - Mating Interface (mm) 8.00 mm, 8.70 mm
 Stackable No
 Temperature Range - Operating -40°C to +120°C

Material Info

Reference - Drawing Numbers

Product Specification PS-35180-002
 Sales Drawing SD-35180-040*

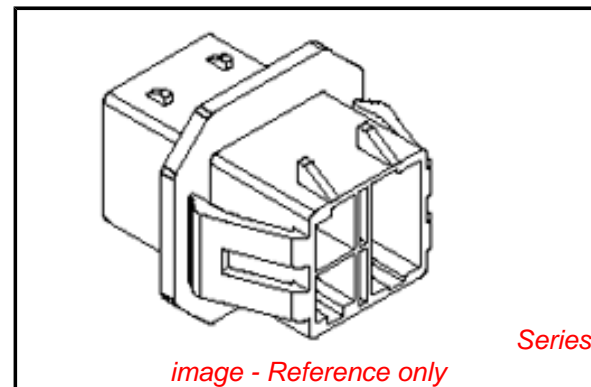


image - Reference only

EU RoHS

ELV and RoHS Compliant
REACH SVHC
 Not Reviewed
Halogen-Free Status
Not Reviewed

China RoHS



Need more information on product environmental compliance?

Email productcompliance@molex.com
 For a multiple part number RoHS Certificate of Compliance, [click here](#)

Please visit the [Contact Us](#) section for any non-product compliance questions.

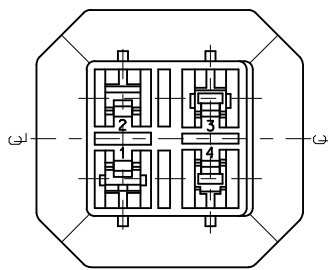
Search Parts in this Series

[35180Series](#)

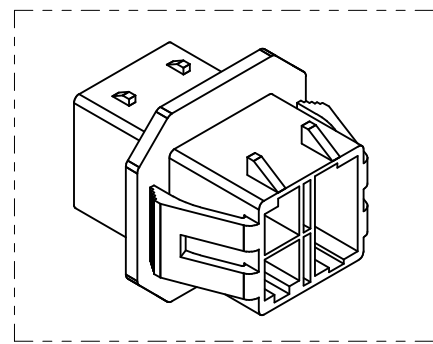
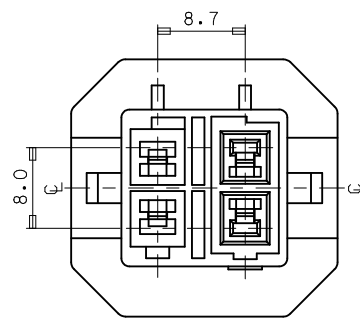
Mates With

Use With

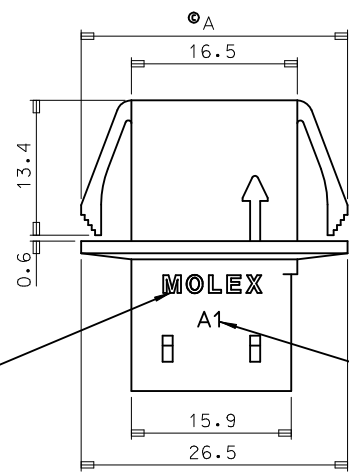
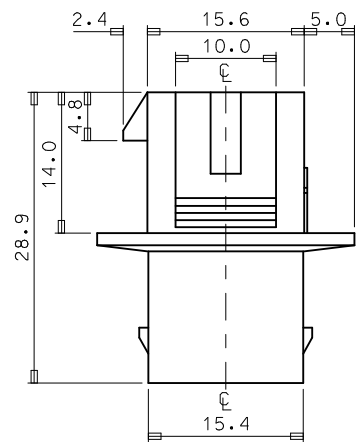
[35745](#) Crimp Terminal, [35746](#) Crimp Terminal, [35747](#) Crimp Terminal, [35748](#) Crimp Terminal



VIEW "A"



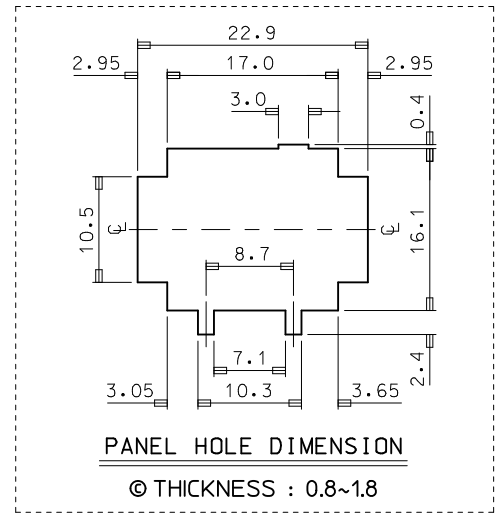
- NOTES.
1. MATERIAL & COLOR : SEE TABLE
 2. MATED HOUSING : 35181-020*, 35965-020*/920*
35181-021*, 35965-021*/921*
 3. APPLICABLE TERMINAL : 35745-0*10 (1 CIRCUIT)
35746-0*10 (3 CIRCUIT)
35747-0*10 (2 CIRCUIT)
35748-0*10 (4 CIRCUIT)
 4. APPLICABLE T.P.A : 35181-029*
 5. PRODUCT SPECIFICATION : PS-35180-002



VIEW "A"

TRADE MARK

©TOOL & CAVITY NO
(TOOL:A,B..CAV:1,2..)



NO	PRODUCT		MATERIAL		DIMENSION ①(A)
	PART NO	MATERIAL NO	COLOR	DESCRIPTION	
1	35180-0400	351800400	NATURAL	PBT (UL94V-0)	26.2
2	35180-0404	351800404	BLUE		
3	35180-0409	351800409	NATURAL	PC/PET (UL94V-0)	26.5
4	35180-3409	351803409	YELLOW		
5	35180-4409	351804409	BLUE		

REVISED
EC NO: KOR2010-009Z
DRWN: JHPARK01 2010/01/14
CHKD: WY, YANG 2010/01/14
APPR: YUNSIKKIM 2010/01/14

QUALITY SYMBOLS
▽=0
▽=0

GENERAL TOLERANCES (UNLESS SPECIFIED)

	mm	INCH
4 PLACES ±	---	---
3 PLACES ±	---	---
2 PLACES ±	---	---
1 PLACE ±	0.3	---
ANGULAR ± 1°		

DRAFT WHERE APPLICABLE
MUST REMAIN
WITHIN DIMENSIONS

DIMENSION STYLE
MM ONLY

SCALE
2:1

DESIGN UNITS
METRIC

THIRD ANGLE PROJECTION

DRAWN BY
JS.KANG

CHECKED BY

APPROVED BY

MATERIAL NO.
SEE TABLE

SIZE
A3

TITLE
.070 MULTI W/W CONN
MALE HSG-4P

MOLEX INCORPORATED

DOCUMENT NO.
SD-35180-040*

SHEET NO.
1 OF 01

THIS DRAWING CONTAINS INFORMATION THAT IS PROPRIETARY TO MOLEX INCORPORATED AND SHOULD NOT BE USED WITHOUT WRITTEN PERMISSION