

**PLEASE CHECK WWW.MOLEX.COM FOR LATEST PART INFORMATION**

**Part Number:** [0534401270](#)  
**Status:** **Active**  
**Description:** 1.60mm (.063") Pitch Board-to-Board Plug, Right Angle, Detachable, Lead-free

**Documents:**

[3D Model](#) [Product Specification PS-52712-003 \(PDF\)](#)  
[Drawing \(PDF\)](#) [RoHS Certificate of Compliance \(PDF\)](#)

**General**

Product Family PCB Headers  
 Series [53440](#)  
 Application Board-to-Board  
 Product Name N/A

**Physical**

Breakaway No  
 Circuits (Loaded) 12  
 Color - Resin Black  
 Durability (mating cycles max) 10,000  
 Glow-Wire Compliant No  
 Material - Metal Phosphor Bronze  
 Material - Plating Mating Gold  
 Material - Plating Termination Tin  
 Number of Rows 2  
 Orientation Right Angle  
 PCB Locator Yes  
 PCB Retention None  
 PCB Thickness Recommended (in) 0.047 In  
 PCB Thickness Recommended (mm) 1.20 mm  
 Packaging Type Tube  
 Pitch - Mating Interface (in) 0.063 In  
 Pitch - Mating Interface (mm) 1.60 mm  
 Polarized to Mating Part No  
 Polarized to PCB No  
 Temperature Range - Operating -40°C to +105°C  
 Termination Interface: Style Surface Mount

**Electrical**

Current - Maximum per Contact 1A  
 Voltage - Maximum 125V

**Material Info**

**Reference - Drawing Numbers**

Product Specification PS-52712-003  
 Sales Drawing SD-53440-001

**EU RoHS**

**ELV and RoHS  
 Compliant**  
**REACH SVHC  
 Not Reviewed**  
**Halogen-Free  
 Status  
 Not Reviewed**

**China RoHS**



**Need more information on product  
 environmental compliance?**

Email [productcompliance@molex.com](mailto:productcompliance@molex.com)  
 For a multiple part number RoHS Certificate of  
 Compliance, [click here](#)

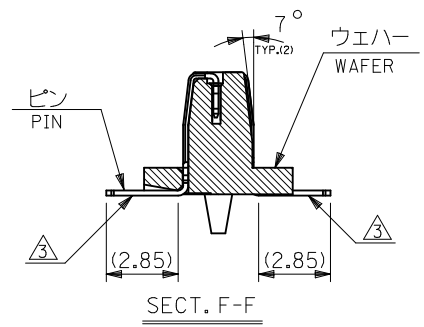
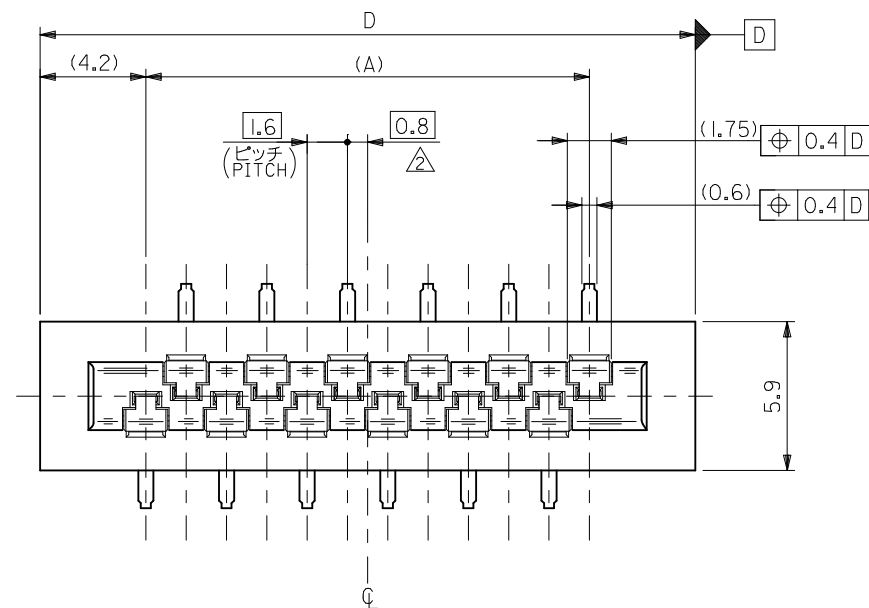
Please visit the [Contact Us](#) section for any  
 non-product compliance questions.

**Search Parts in this Series**

[53440Series](#)

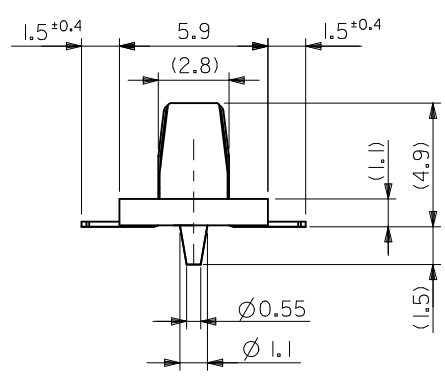
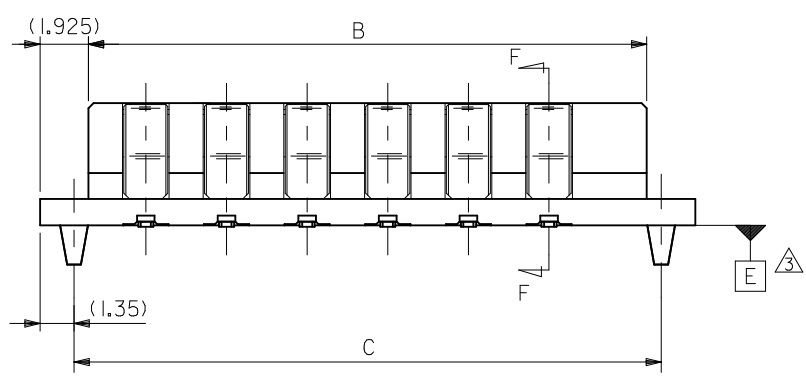
**Mates With**

[52712 PCB Receptacle](#)



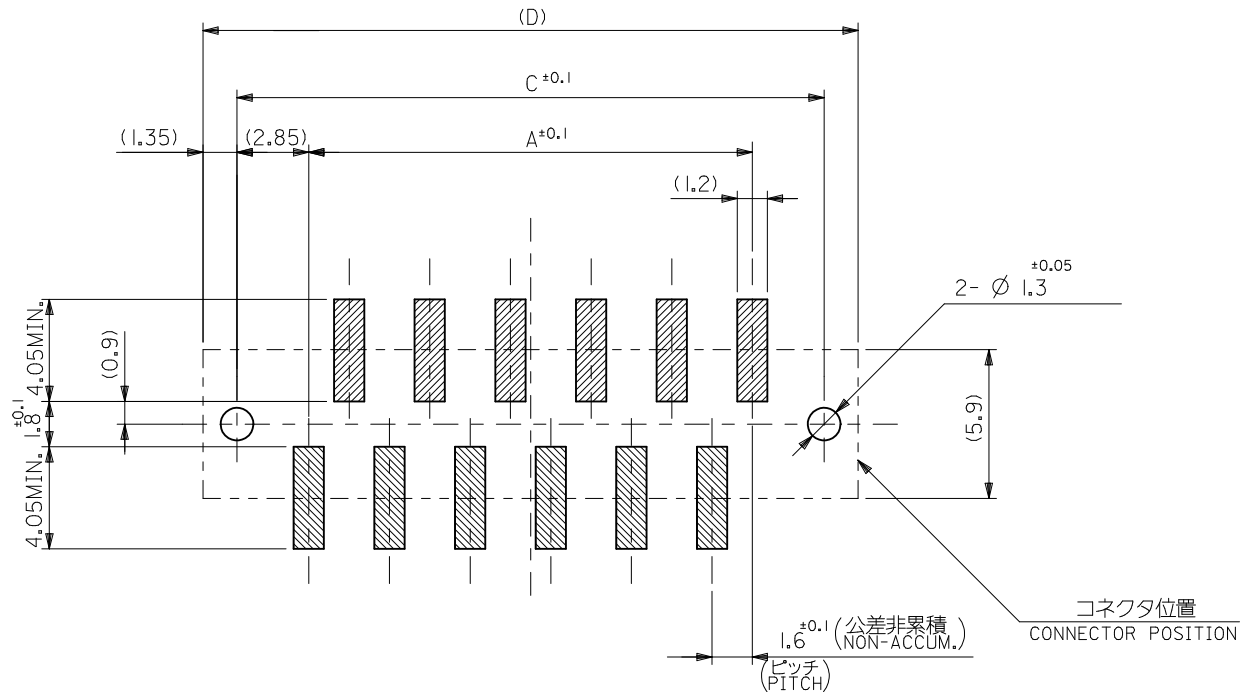
注記  
NOTE

1. 嵌合相手 : 52712 シリーズ  
MATE WITH : 52712 SERIES
2. ウェハの  $\phi$  から隣接するピンの  $\phi$  迄の位置を示す。  
SHOW POSITION FROM  $\phi$  OF WAFER TO  $\phi$  OF ADJACENT PIN.
3. ソルダータールのズレ量は、基準面  $\square$  に対し上方向 0.1 MAX., 下方向 0.2 MAX. とし、相互のパラツキは 0.25 MAX. とする。  
MISALIGNMENT OF SOLDER TAILS FROM  $\square$   
UPPER DIRECTION : 0.1 MAX.  
LOWER DIRECTION : 0.2 MAX.  
OFFSET BETWEEN UPPER AND LOWER : 0.25 MAX.
4. 使用材料  
ウェハ : PA,UL94V-0(BLACK)  
WAFER  
ピン : リン青銅 (t=0.2)  
PIN : PHOSPHOR BRONZE
5. メッキ仕様  
ピン : 金メッキ (コンタクト部)  
PIN : GOLD PLATED (CONTACT AREA)  
: 錫メッキ (ソルダータール部)  
TIN PLATED (SOLDER TAIL AREA)
6. 本製品は 53440-\*\*11 の鉛フリー品である。  
THIS PRODUCT IS LEAD FREE OF 53440-\*\*11.



26.0	23.3	22.15	17.6	53440-1219	12
D	C	B	(A)	TUBE PACKAGE	極数 CKT.
CONNECTOR No. 53440-1219					オーダー番号 ORDER No.

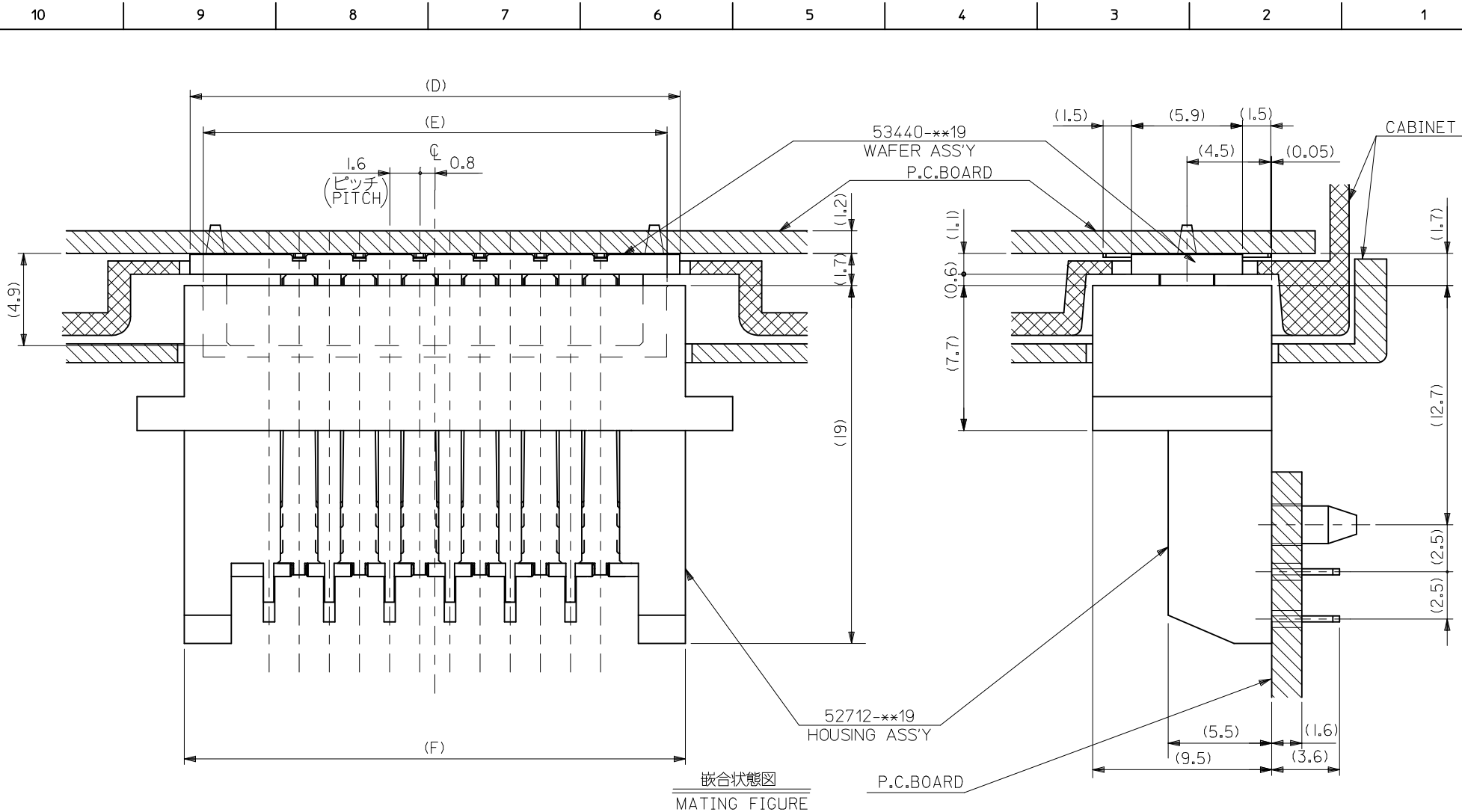
REVISED EC NO: J2009-2997 DRW: NESATO 2009/07/02 CHKD: MATSUMOTO 2010/02/09 APPR: NUKITA 2010/02/09	DESCRIPTION REV	GENERAL TOLERANCES (UNLESS SPECIFIED)		DIMENSION STYLE MM ONLY	SCALE ---	DESIGN UNITS METRIC	THIRD ANGLE PROJECTION	
		10 UNDER	±0.2	DRAWN BY J. SASAMO	DATE '04/8/6	TITLE 1.6 B/B CONN.WAFER ASS'Y (PANEL DETACHABLE TYPE)		
		10 OVER 30 UNDER	±0.25	CHECKED BY K. TOJO	DATE '04/8/6			
		30 OVER	±0.3	APPROVED BY NUKITA	DATE 2010/02/09	MOLEX INCORPORATED		
ANGULAR ±3 °		DRAFT WHERE APPLICABLE MUST REMAIN WITHIN DIMENSIONS		MATERIAL NO. SEE TABLE	DOCUMENT NO. SD-53440-001	SHEET NO. 1 OF 4		
SIZE A3				THIS DRAWING CONTAINS INFORMATION THAT IS PROPRIETARY TO MOLEX INCORPORATED AND SHOULD NOT BE USED WITHOUT WRITTEN PERMISSION				



参考基板レイアウト (t=1.2)  
P.C.BOARD PATTERN LAYOUT (REFERENCE)  
(マウント面)  
(MOUNTING SIDE)

26.0	23.3	17.6	53440-1219	12
(D)	C	(A)	MATERIAL NO.	極数 CKT.

REVISED EC NO: J2009-2997 DRW: NESATO 2009/07/02 CHK'D: MATSUMOTO 2010/02/09 APPR: NUKITA 2010/02/09	DESCRIPTION REV	GENERAL TOLERANCES (UNLESS SPECIFIED)		DIMENSION STYLE MM ONLY		SCALE ---	DESIGN UNITS METRIC	THIRD ANGLE PROJECTION		
		10 UNDER	±0.2	DRAWN BY J. SASAMO	DATE '04/8/6	TITLE 1.6 B/B CONN.WAFER ASS'Y (PANEL DETACHABLE TYPE)				
		10 OVER 30 UNDER	±0.25	CHECKED BY K. TOJO	DATE '04/8/6	APPROVED BY NUKITA 2010/02/09				
		30 OVER	±0.3	MATERIAL NO. SEE TABLE			DOCUMENT NO. SD-53440-001		SHEET NO. 2 OF 4	
		ANGULAR ±3 °		SIZE A3		THIS DRAWING CONTAINS INFORMATION THAT IS PROPRIETARY TO MOLEX INCORPORATED AND SHOULD NOT BE USED WITHOUT WRITTEN PERMISSION				
		DRAFT WHERE APPLICABLE MUST REMAIN WITHIN DIMENSIONS								



嵌合状態図  
MATING FIGURE

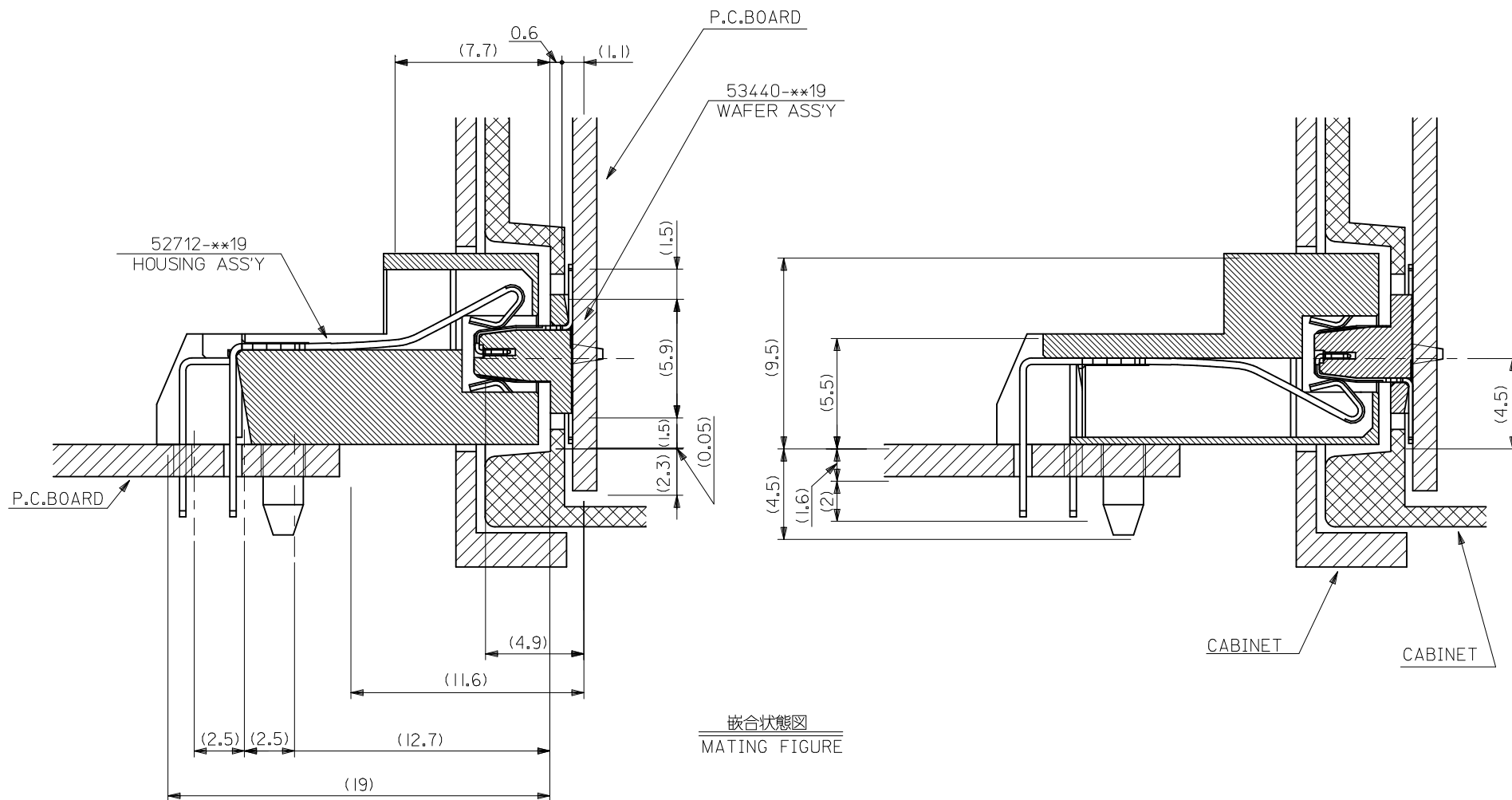
注記 NOTES:

1. 嵌合時のズレ吸収量  
THE ALLOWABLE TOLERANCE RANGE OFF MISALIGNMENT WHEN MATED
- 1). ピッチ方向:  $\pm 1.2$   
PITCH DIRECTION:  $\pm 1.2$
- 2). ピッチと直角方向:  $\pm 0.5$   
A RIGHT PITCH DIRECTION:  $\pm 0.5$
- 3). 嵌合方向:  $\pm 0.6$   
MATING DIRECTION:  $\pm 0.6$

REVISED EC NO: J2009-2997 DRW: NESATO 2009/07/02 CHKD: MATSUMOTO 2010/02/09 APPR: NUKITA 2010/02/09	DESCRIPTION	GENERAL TOLERANCES (UNLESS SPECIFIED)		DIMENSION STYLE MM ONLY		SCALE ---	DESIGN UNITS METRIC	THIRD ANGLE PROJECTION		
		10 UNDER	$\pm$ ---	DRAWN BY J. SASAMO	DATE '04/8/6	TITLE 1.6 B/B CONN.WAFER ASS'Y (PANEL DETACHABLE TYPE)				
		10 OVER 30 UNDER	$\pm$ ---	CHECKED BY K. TOJO	DATE '04/8/6	APPROVED BY NUKITA 2010/02/09				
		30 OVER	$\pm$ ---	MATERIAL NO. SEE TABLE		DOCUMENT NO. SD-53440-001		SHEET NO. 3 OF 4		
ANGULAR $\pm$ --- °		DRAFT WHERE APPLICABLE MUST REMAIN WITHIN DIMENSIONS		SIZE A3		THIS DRAWING CONTAINS INFORMATION THAT IS PROPRIETARY TO MOLEX INCORPORATED AND SHOULD NOT BE USED WITHOUT WRITTEN PERMISSION				

26.6	24.6	26	53440-1219	12
(F)	(E)	(D)	MATERIAL NO.	極数 CKT.

10 9 8 7 6 5 4 3 2 1



嵌合状態図  
MATING FIGURE

REVISED EC NO: J2009-2997 DRW: NESATO 2009/07/02 CHKD: MATSUMOTO 2010/02/09 APPR: NUKITA 2010/02/09	DESCRIPTION	GENERAL TOLERANCES (UNLESS SPECIFIED)		DIMENSION STYLE	SCALE	DESIGN UNITS	THIRD ANGLE PROJECTION	
		10 UNDER	± ---	MM ONLY	---	METRIC		
		10 OVER 30 UNDER	± ---	DRAWN BY	DATE	TITLE	1.6 B/B CONN.WAFER ASS'Y (PANEL DETACHABLE TYPE)	
		30 OVER	± ---	CHECKED BY	DATE	MOLEX INCORPORATED		
		ANGULAR	± --- °	APPROVED BY	DATE	MATERIAL NO.	DOCUMENT NO.	SHEET NO.
REV		DRAFT WHERE APPLICABLE MUST REMAIN WITHIN DIMENSIONS		SEE SHEET 1	SD-53440-001		4 OF 4	
				SIZE A3	THIS DRAWING CONTAINS INFORMATION THAT IS PROPRIETARY TO MOLEX INCORPORATED AND SHOULD NOT BE USED WITHOUT WRITTEN PERMISSION			