

PLEASE CHECK WWW.MOLEX.COM FOR LATEST PART INFORMATION

Part Number: [0513460300](#)
Status: **Active**
Description: 3.30mm (.130") Pitch Wire-to-Wire Plug Housing, Positive Lock, Single Row, 3 Circuits, White

Documents:

[Drawing \(PDF\)](#)

[RoHS Certificate of Compliance \(PDF\)](#)

General

Product Family	Crimp Housings
Series	51346
Product Name	N/A

Physical

Circuits (maximum)	3
Color - Resin	Natural
Gender	Male
Glow-Wire Compliant	No
Lock to Mating Part	Yes
Material - Resin	Nylon
Number of Rows	1
Packaging Type	Bag
Panel Mount	No
Pitch - Mating Interface (in)	0.130 In
Pitch - Mating Interface (mm)	3.30 mm
Polarized to Mating Part	Yes
Stackable	No
Temperature Range - Operating	-25°C to +85°C

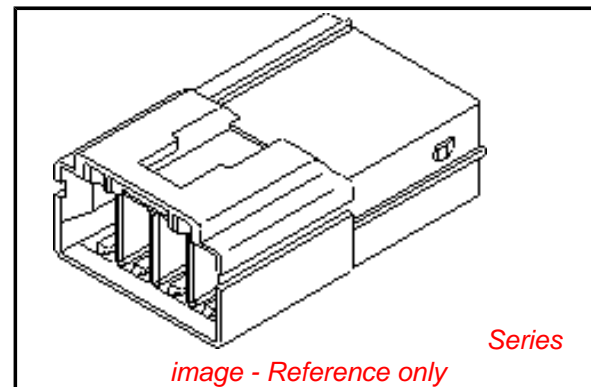
Electrical

Current - Maximum per Contact	4A
-------------------------------	----

Material Info

Reference - Drawing Numbers

Sales Drawing	SD-51346-001
---------------	--------------



EU RoHS

ELV and RoHS Compliant
REACH SVHC
Contains SVHC: No
Halogen-Free
Status
Not Reviewed

China RoHS



Need more information on product environmental compliance?

Email productcompliance@molex.com
 For a multiple part number RoHS Certificate of Compliance, [click here](#)

Please visit the [Contact Us](#) section for any non-product compliance questions.

Search Parts in this Series

[51346Series](#)

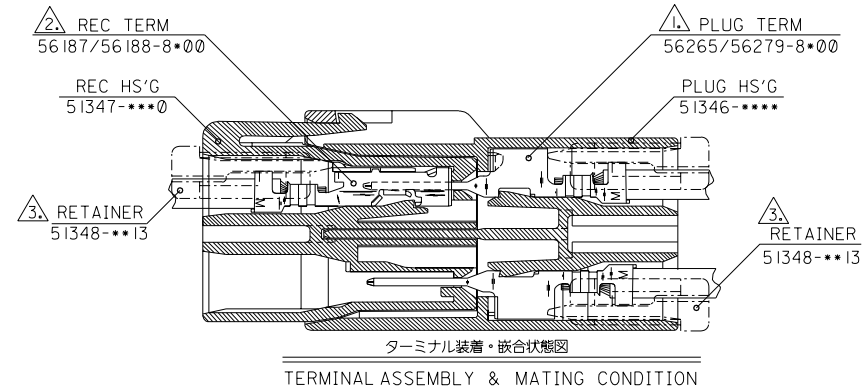
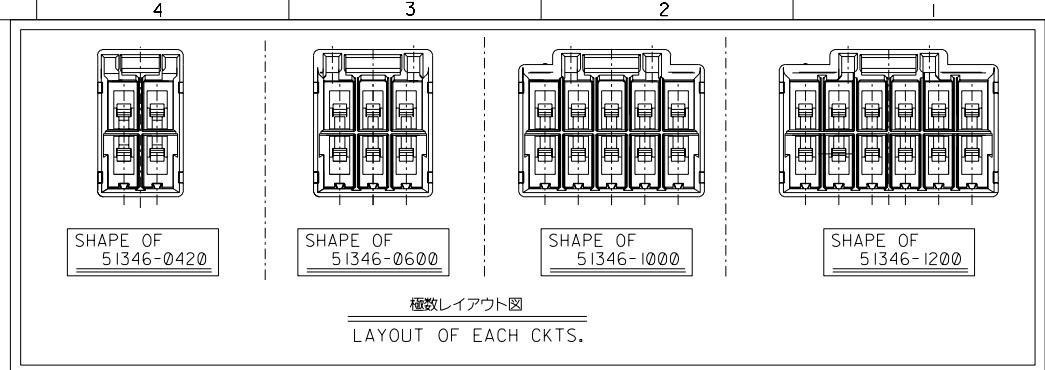
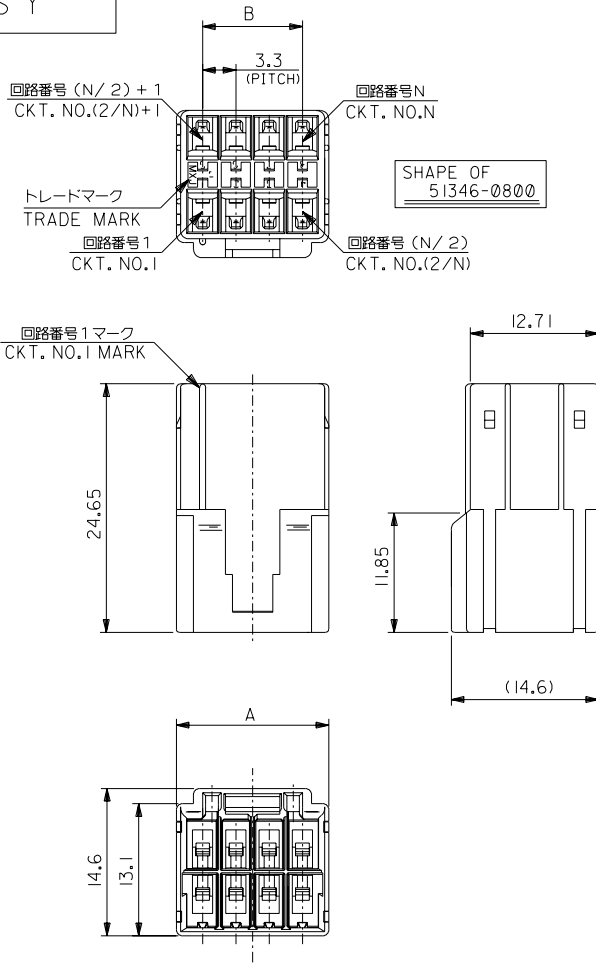
Mates With

[51347-0300](#)

Use With

[51348](#) , [56265](#)

本図は2列品を示す
DUAL ROW ASS'Y



- 注記 NOTES
- 1. 適合ターミナル : 56265/56279シリーズ
APPLICABLE TERMINAL : 56265/56279 SERIES
 - 2. 適合ターミナル : 56187/56188シリーズ
APPLICABLE TERMINAL : 56187/56188 SERIES
 - 3. 適合リテーナー : 51348-***1* シリーズ
APPLICABLE RETAINER : 51348-***1* SERIES
4. 材料 MATERIAL : NYLON66, UL94V-0

51347-1200	51348-0613	NATURAL	16.5	21.7	12	51346-1200	
-1000	-0513		13.2	18.4	10	-1000	51346-****
-0800	-0413		9.9	15.1	8	-0800	
-0600	-0313		6.6	11.8	6	-0600	
51347-0420	51348-0213	NATURAL	3.3	8.5	4	51346-0420	
MATE WITH	CONFORMABLE-RETAINER	COLOR	B	A	CKT.	MATERIAL NO.	MODEL NO.

DO NOT SCALE DRAWING

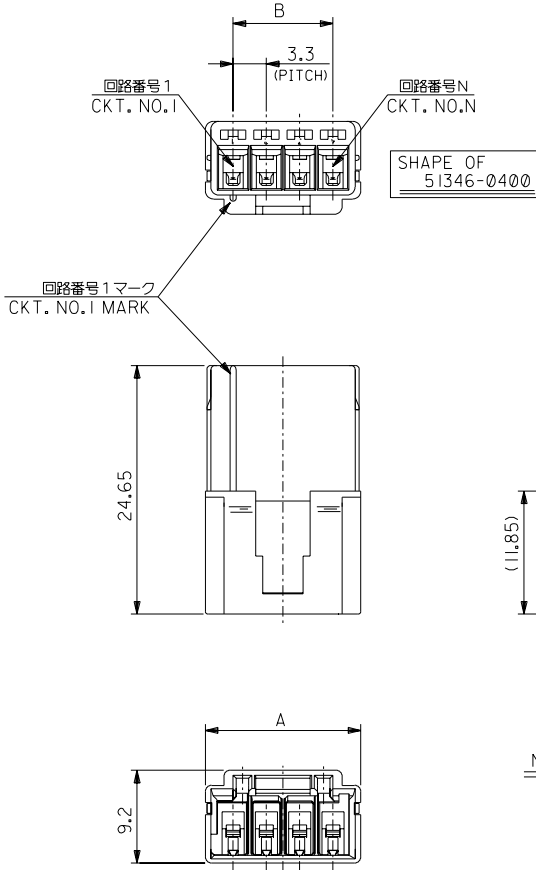
回路番号 DRAWN: CH'K: APPR:	回路番号 DRAWN: CH'K: APPR:	回路番号 DRAWN: CH'K: APPR:	回路番号 DRAWN: CH'K: APPR:	回路番号 DRAWN: CH'K: APPR:	回路番号 DRAWN: CH'K: APPR:	回路番号 DRAWN: CH'K: APPR:	回路番号 DRAWN: CH'K: APPR:	回路番号 DRAWN: CH'K: APPR:	回路番号 DRAWN: CH'K: APPR:	回路番号 DRAWN: CH'K: APPR:
RELEASED 回路番号: J2004-1974 DRAWN: T.ODA '04/01/19 CH'K: S.ICHIKAWA APPR: YO.IITO										
MATERIAL 材料 //										
FINISH 仕上げ //										
WIRE RANGE 適用電線範囲 //										
INS. RANGE 被覆外径 //										

GENERAL TOLERANCES: (UNLESS SPECIFIED) 一般公差 10 UNDER 未満 ±0.2 10 OVER 以上 30 UNDER 未満 ±0.25 30 OVER 以上 ±0.3 ANGLE 角度 ±3°	SCALE 1:1 DESIGN UNITS 単位 mm INCH DRAWN BY & DATE T.ODA '04/01/15 CHECKED BY & DATE S. Ichikawa. APPROVED BY & DATE Y. Ito CAD FILENAME SD-51347-001.S01	DIMENSIONS: 寸法 mm INCH 3.3 mm WIRE TO WIRE CONN. PLUG HOUSING MOLEX MOLEX INCORPORATED MATERIAL NO. SEE CHART DRAWING NO. SD-51346-001 SHEET NO. 1 OF 2	DIMENSION: 寸法 mm INCH SHT 1 REV 2 DIMENSION: 寸法 mm INCH SHT 1 REV 2
THIS DRAWING CONTAINS INFORMATION THAT IS PROPRIETARY TO MOLEX INCORPORATED AND SHOULD NOT BE USED WITHOUT WRITTEN PERMISSION.			

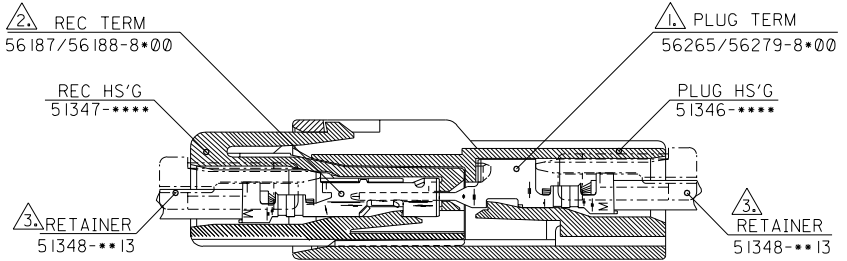
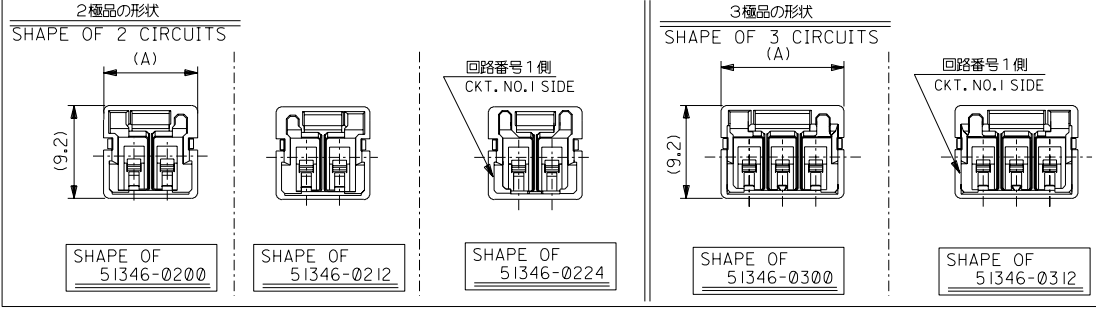
DWG. NO. SD-51346-001

DO NOT SCALE DRAWING

本図は1列品を示す
SINGLE ROW ASS'Y



各種形状を下記に示す。
尚、嵌合間口にて嵌合バリエーションを持たせている為組み合わせには注意して下さい。



ターミナル装着・嵌合状態図
TERMINAL ASSEMBLY & MATING CONDITION

注記
NOTES

- △ 適合ターミナル：56265/56279シリーズ
APPLICABLE TERMINAL：56265/56279 SERIES
 - △ 適合ターミナル：56187/56188シリーズ
APPLICABLE TERMINAL：56187/56188 SERIES
 - △ 適合リテーナー：51348シリーズ
APPLICABLE RETAINER：51348 SERIES
4. 材料 MATERIAL : NYLON66, UL94V-0

51347-0400	51348-0413	NATURAL	9.9	15.1	4	51346-0400	51346-****
-0312	-0313	RED	6.6	12.1	3	-0312	
-0300	-0313	NATURAL	6.6	12.1		-0300	
-0224	-0213	BLUE	3.3	9.3		-0224	
-0212	-0213	RED	3.3	9.3	2	-0212	
51347-0200	51348-0213	NATURAL	3.3	9.3		51346-0200	
MATE WITH	CONFORMABLE-RETAINER	COLOR	B	A	CKT.	MATERIAL NO.	MODEL NO.

① 64 NO. DRWN: CH'K: APPR:	② 63 NO. DRWN: CH'K: APPR:	③ 62 NO. DRWN: CH'K: APPR:	④ 61 NO. DRWN: CH'K: APPR:	⑤ 60 NO. DRWN: CH'K: APPR:	⑥ SEE SHEET 1 DRWN: CH'K: APPR:
DESCRIPTION					
MATERIAL 材料					
FINISH 仕上げ					
WIRE RANGE 適用電線範囲					
INS. RANGE 被覆外径					

GENERAL TOLERANCES: (UNLESS SPECIFIED) 一般公差	SCALE	DESIGN UNITS	PROJECTION
10 UNDER 未満	1:1	mm <input checked="" type="checkbox"/> INCH <input type="checkbox"/>	2RD ANGLE
10 OVER 30 UNDER 未満			PROJECTION
30 OVER 以上			
ANGLE 角度			

DRAWN BY & DATE	TITLE:
<i>S. Ichikawa</i> '04/01/15	3.3 mm WIRE TO WIRE CONN. PLUG HOUSING (SINGLE ROW)
CHECKED BY & DATE	
<i>S. Ichikawa</i>	
APPROVED BY & DATE	
<i>S. Ichikawa</i>	
CAD FILENAME	MATERIAL NO.
SD-51346-001.S02	SEE CHART

DIMENSIONS:		SHT	REV
<input type="checkbox"/> mm <input checked="" type="checkbox"/> INCH	<input type="checkbox"/> mm <input checked="" type="checkbox"/> INCH	2	1
MOLEX MOLEX INCORPORATED		SIZE B	
DRAWING NO. SD-51346-001		SHEET NO. 2	
THIS DRAWING CONTAINS INFORMATION THAT IS PROPRIETARY TO MOLEX INCORPORATED AND SHOULD NOT BE USED WITHOUT WRITTEN PERMISSION.			