

PLEASE CHECK WWW.MOLEX.COM FOR LATEST PART INFORMATION

Part Number: [0472750001](#)
Status: **Active**
Overview: [battery connectors](#)
Description: 2.50mm (.098") Pitch Battery Connector, SMT, Contact Height 4.50mm (.177"), Contact Width 1.12mm (.044"), 3 Circuits

Documents:

[3D Model](#) [Product Specification PS-47275-001 \(PDF\)](#)
[Drawing \(PDF\)](#) [RoHS Certificate of Compliance \(PDF\)](#)

General

Product Family	PCB Headers
Series	47275
Application	Board-to-Board
Overview	battery connectors
Product Name	Battery Connector

Physical

Breakaway	No
Circuits (Loaded)	3
Circuits (maximum)	3
Durability (mating cycles max)	10,000
First Mate / Last Break	No
Glow-Wire Compliant	No
Guide to Mating Part	No
Keying to Mating Part	None
Lock to Mating Part	None
Material - Plating Mating	Gold
Number of Rows	1
Orientation	Right Angle
PC Tail Length (in)	0.000 In
PC Tail Length (mm)	0.00 mm
PCB Locator	Yes
PCB Retention	Yes
Packaging Type	Embossed Tape on Reel
Pitch - Mating Interface (in)	0.098 In
Pitch - Mating Interface (mm)	2.50 mm
Pitch - Term. Interface (in)	0.098 In
Pitch - Term. Interface (mm)	2.50 mm
Polarized to Mating Part	Yes
Polarized to PCB	Yes
Shrouded	No
Stackable	Yes
Surface Mount Compatible (SMC)	Yes
Temperature Range - Operating	-40°C to +85°C
Termination Interface: Style	Surface Mount

Electrical

Current - Maximum per Contact	1A
Voltage - Maximum	200V (RMS)

Material Info

Reference - Drawing Numbers

Packaging Specification	PK-47275-001
Product Specification	PS-47275-001
Sales Drawing	SD-47275-001

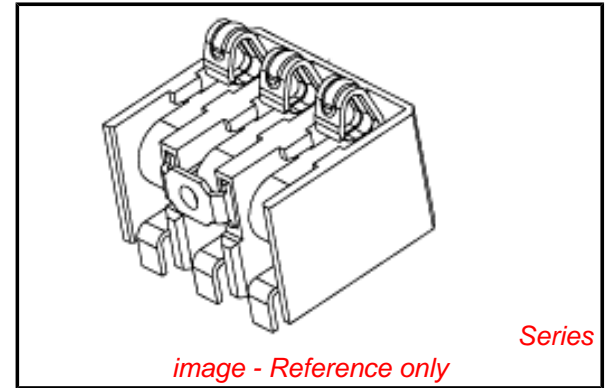


image - Reference only

EU RoHS

ELV and RoHS Compliant
REACH SVHC
Contains SVHC: No
Halogen-Free Status

China RoHS



Need more information on product environmental compliance?

Email productcompliance@molex.com
 For a multiple part number RoHS Certificate of Compliance, [click here](#)

Please visit the [Contact Us](#) section for any non-product compliance questions.

Search Parts in this Series

[47275Series](#)

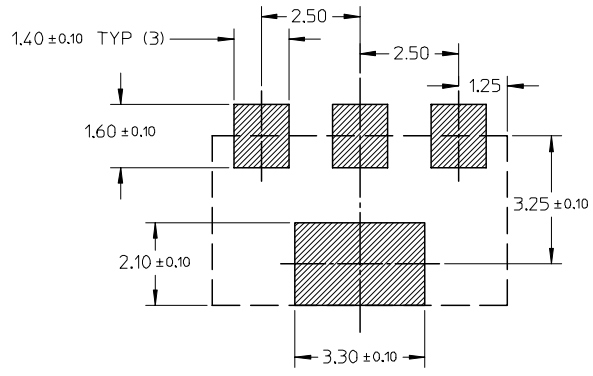
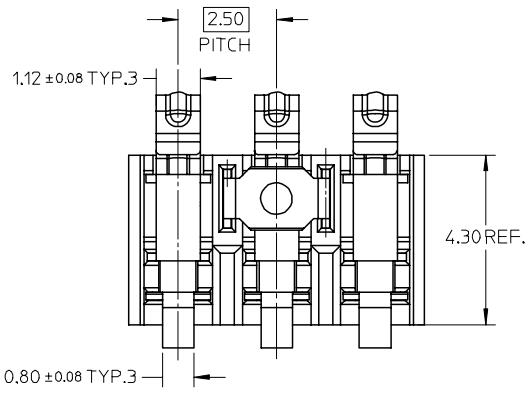
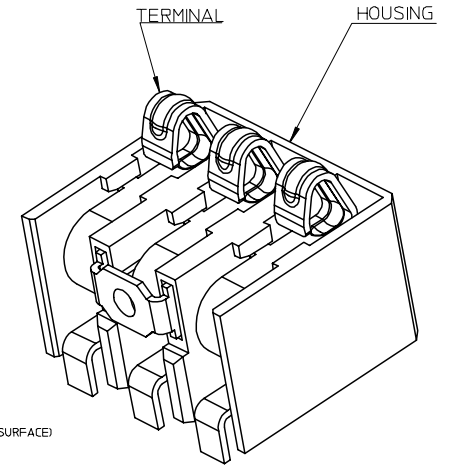
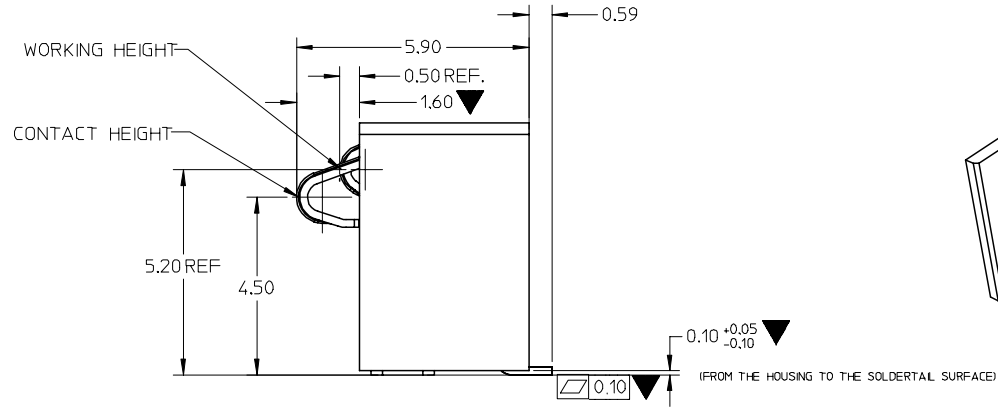
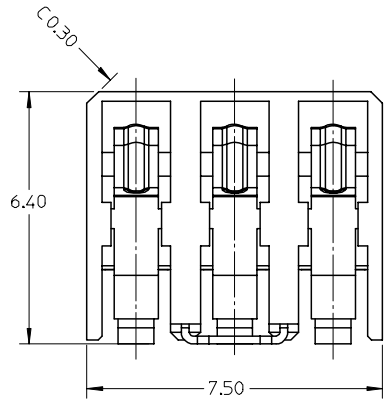
This document was generated on 05/26/2010

PLEASE CHECK WWW.MOLEX.COM FOR LATEST PART INFORMATION

10 9 8 7 6 5 4 3 2 1

F
E
D
C
B
A

F
E
D
C
B
A



- NOTES:
- MATERIALS
 TERMINAL: COPPER ALLOY
 FITTING NAIL: STAINLESS STEEL
 HOUSING: HIGH TEMPERATURE THERMOPLASTIC, UL94 V-0
 - FINISHS
 TERMINAL: GOLD PLATING 0.75 MICROMETERS MIN. ON CONTACT AREA
 GOLD FLASH 0.05 MICROMETERS MIN. PLATING ON SOLDER TAIL
 1.25 MICROMETERS MIN. NICKEL UNDERPLATING OVERALL
 FITTING NAIL: 1.25 MICROMETERS MIN. TIN PLATING AND
 1.25 MICROMETERS MIN. NICKEL UNDERPLATING OVERALL

RECOMMENDED PCB LAYOUT
 TOLERANCE +/- 0.05

NEW RELEASE	EC NO:	2006/06/20	QUALITY SYMBOLS ▽=3 ▽C=0	GENERAL TOLERANCES (UNLESS SPECIFIED)		DIMENSION STYLE MM ONLY		SCALE 10:1	DESIGN UNITS METRIC	THIRD ANGLE PROJECTION	
	DRWN:	LHSHEN		mm	INCH	DRAWN BY LHSHEN	DATE 2005/07/25	TITLE 3 PIN BATTERY CONNECTOR SALES DRAWING			
	CHKD:	XIXU		4 PLACES	± ---	± ---	CHECKED BY				
	APPR:	JNCHEN		3 PLACES	± ---	± ---	APPROVED BY	DATE			
A	REV	DESCRIPTION	1 PLACE	± 0.2	± ---	ANGULAR ± 3 °		MATERIAL NO. 472750001		DOCUMENT NO. SD-47275-001	SHEET NO. 1 OF 1

DRAFT WHERE APPLICABLE
 MUST REMAIN WITHIN DIMENSIONS

MOLEX MOLEX INCORPORATED

THIS DRAWING CONTAINS INFORMATION THAT IS PROPRIETARY TO MOLEX INCORPORATED AND SHOULD NOT BE USED WITHOUT WRITTEN PERMISSION

9 8 7 6 5 4 3 2 1