

PLEASE CHECK WWW.MOLEX.COM FOR LATEST PART INFORMATION

Part Number: **0365150098**
Status: **Active**
Overview: din_41612
Description: 2.54mm (0.100") Pitch DIN 41612 Header, Style R, Vertical, Press-fit, 13.25mm (.522") PC Tail Length, 96 Circuits, 0.76µm (30µ") Gold (Au) Selective, Lead-Free

Documents:

[Drawing \(PDF\)](#) [RoHS Certificate of Compliance \(PDF\)](#)
[Product Specification PS-36515-001 \(PDF\)](#)

General

Product Family	Backplane Connectors
Series	<u>36515</u>
Application	Backplane
Comments	"R" at Style Represents Vertical Male DIN Connectors
Component Type	PCB Header
Overview	<u>din_41612</u>
Product Name	IEC 603-2/DIN 41612
Style	R

Physical

Circuits (Loaded)	96
Circuits (maximum)	96
Circuits Detail	Rows A, B, & C
Durability (mating cycles max)	400
Keying to Mating Part	Yes
Number of Columns	32
Number of Pairs	Open Pin Field
Number of Rows	3
Orientation	Vertical
PC Tail Length (in)	0.522 In
PC Tail Length (mm)	13.25 mm
PCB Locator	No
PCB Retention	Yes
PCB Thickness Recommended (in)	0.045 In, 0.157 In
PCB Thickness Recommended (mm)	1.20 mm, 4.00 mm
Packaging Type	Bag
Pitch - Mating Interface (in)	0.100 In
Pitch - Mating Interface (mm)	2.54 mm
Pitch - Term. Interface (in)	0.100 In
Pitch - Term. Interface (mm)	2.54 mm
Polarized to PCB	No
Temperature Range - Operating	-55°C to +125°C
Termination Interface: Style	Through Hole - Compliant Pin, Wire Wrap

Electrical

Current - Maximum per Contact	1A
Data Rate	622.0 Mbps
Voltage - Maximum	250V AC (RMS)

Material Info

Reference - Drawing Numbers

Product Specification	PS-36515-001
Sales Drawing	SD-36515-005

EU RoHS

**ELV and RoHS
Compliant**

REACH SVHC

Not Reviewed

Halogen-Free

Status

Not Reviewed

China RoHS



**Need more information on product
environmental compliance?**

Email productcompliance@molex.com
 For a multiple part number RoHS Certificate of Compliance, [click here](#)

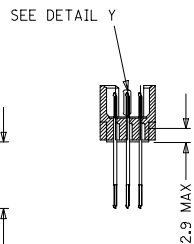
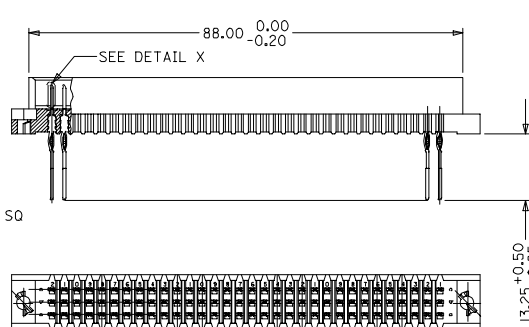
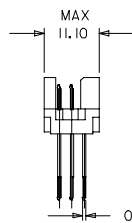
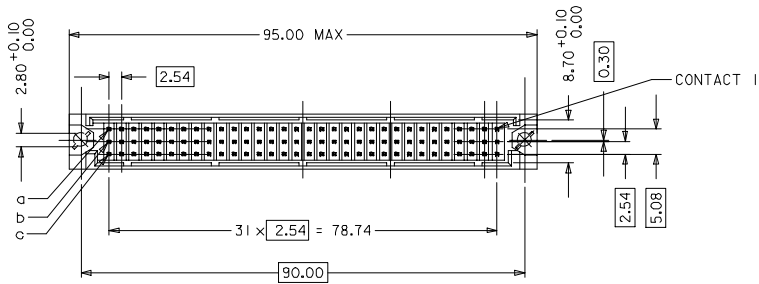
Please visit the [Contact Us](#) section for any non-product compliance questions.

Search Parts in this Series

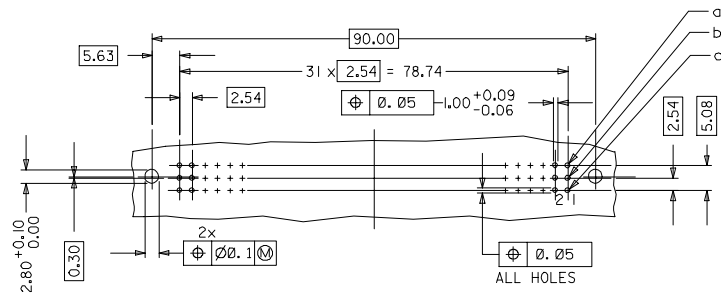
[36515Series](#)

This document was generated on 05/13/2010

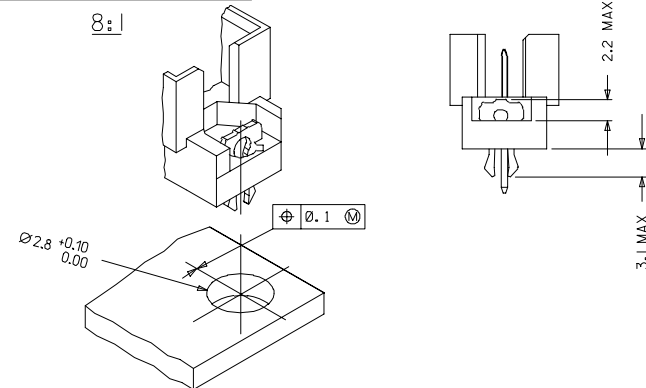
PLEASE CHECK WWW.MOLEX.COM FOR LATEST PART INFORMATION



RECOMMENDED PCB LAYOUT
COMPONENT SIDE



WITH MOUNTING CLIPS



NOTES:

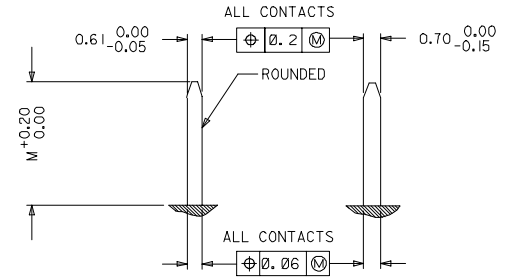
- 1) MATERIALS: THERMOPLASTIC POLYESTER, GLASS FILLED, UL94V-0, COLOUR: PEBBLE GREY RAL 7032
TERMINAL - PHOSPHOR BRONZE
MOUNTING CLIP: STEEL
- 2) FINISH: TERMINAL:-
CONTACT AREA
 1. PERFORMANCE LEVEL 1: SELECTIVE GOLD (Au), THICKNESS = 1.1 MICROMETER OVER NICKEL, THICKNESS = 1.25 MICROMETER MIN
 2. PERFORMANCE LEVEL 2: SELECTIVE GOLD (Au), THICKNESS = 0.6 MICROMETER OVER NICKEL, THICKNESS = 1.25 MICROMETER MIN
 3. PERFORMANCE LEVEL 3: SELECTIVE GOLD (Au), THICKNESS = 0.3 MICROMETER OVER NICKEL, THICKNESS = 1.25 MICROMETER MIN
 PRESS-IN AREA : NICKEL, THICKNESS = 1.25 MICROMETER MIN OVERALL
 WRAP AREA : NICKEL, THICKNESS = 1.25 MICROMETER MIN OVERALL
 ADAPTER INSERTION AREA : PERFORMANCE LEVEL 3; SELECTIVE GOLD (Au), THICKNESS = 0.3 MICROMETER OVER NICKEL, THICKNESS = 1.25 MICROMETER MIN
- 3) MOUNTING CLIP:-
TIN (Sn), THICKNESS = 5-10 MICROMETER,
OVER NICKEL (Ni), THICKNESS = 2.5 MICROMETER
- 4) FOR NON MOUNTING CLIP OPTION, CONNECTOR TO BE SECURED WITH RIVETS: 2 TUBULAR RIVETS 2.5 x 0.3 ... DIN 7340
SCREWS: 2 CHEESEHEAD SCREWS M2.5 x DIN 84 AND 2 HEXAGONAL NUTS M2.5 DIN 934
- 5) MATERIAL NUMBER, BATCH CODE, UL AND CSA MARKING TO BE PRINTED ON THE CONNECTOR
- 6) CUT FACE OF TIP WITHOUT PLATING PERMITTED
- 7) PRODUCT SPECIFICATION PS-36515-001

RoHS COMPLIANT

EC No: P2007-0044 DRWNSATTI/MARAD 2006/10/10 CHK/SS/SUBIR 2006/10/11 APPR/SS/SUBIR 2006/10/15	QUALITY SYMBOLS ▽=0 ▽=0	GENERAL TOLERANCES (UNLESS SPECIFIED)		DIMENSION STYLE MM ONLY		SCALE 2:1	DESIGN UNITS METRIC	THIRD ANGLE PROJECTION	
		4 PLACES ± 0.15 3 PLACES ± 0.05 2 PLACES ± 0.1 1 PLACE ± 0.15	± 0.15 ± 0.05 ± 0.1 ± 0.15	DRAWN BY SS	DATE 1999/09/24	TITLE ASSY, DIN 41612, R MALE 96P, PRESS-IN, WIRE WRAP ADAPTER INSERTION AREA		MOLEX INCORPORATED	
DRAFT WHERE APPLICABLE MUST REMAIN WITHIN DIMENSIONS	SIZE A 1	MATERIAL NO. SEE CHART		DOCUMENT NO. SD-36515-005		THIS DRAWING CONTAINS INFORMATION THAT IS PROPRIETARY TO MOLEX INCORPORATED AND SHOULD NOT BE USED WITHOUT WRITTEN PERMISSION			

MATERIAL No.	MOLEX ENG No.	PERF LEVEL	PLATING	CONTACT SEQUENCE/ROW	DIM "L" MM	MOUNTING CLIP	FMLB
36515-0097	MM-B1466-R960	1	Au + Ni	1,2,3...32 a+b+c	13.25	NO	NO
36515-0098	MM-B1566-R960	2	Au + Ni	1,2,3...32 a+b+c	13.25	NO	NO
36515-0099	MM-B1666-R960	3	Au + Ni	1,2,3...32 a+b+c	13.25	NO	NO
36515-0103	MM-B1466-R910	1	Au + Ni	1,2,3...32 a+b+c	13.25	YES	NO
36515-0104	MM-B1566-R910	2	Au + Ni	1,2,3...32 a+b+c	13.25	YES	NO
36515-0105	MM-B1666-R910	3	Au + Ni	1,2,3...32 a+b+c	13.25	YES	NO
36515-0109	MM-B1466-R930	1	Au + Ni	1,2,3...32 a+b+c	13.25	NO	1,32a 1,32b 1,32c
36515-0110	MM-B1566-R930	2	Au + Ni	1,2,3...32 a+b+c	13.25	NO	1,32a 1,32b 1,32c
36515-0111	MM-B1666-R930	3	Au + Ni	1,2,3...32 a+b+c	13.25	NO	1,32a 1,32b 1,32c
36515-0115	MM-B1466-R950	1	Au + Ni	1,2,3...32 a+b+c	13.25	YES	1,32a 1,32b 1,32c
36515-0116	MM-B1566-R950	2	Au + Ni	1,2,3...32 a+b+c	13.25	YES	1,32a 1,32b 1,32c
36515-0117	MM-B1666-R950	3	Au + Ni	1,2,3...32 a+b+c	13.25	YES	1,32a 1,32b 1,32c

DETAILY DETAILX



PRE MATING CONTACTS	5.4
NORMAL CONTACTS	4.8
	M

RoHS COMPLIANT

EC No: 2007-0044 DRAWING APPROVED 2006/10/10 CHECKED BY APPRESSOR 2006/10/11 APPROVED BY APPRESSOR 2006/10/15	QUALITY SYMBOLS	GENERAL TOLERANCES (UNLESS SPECIFIED)	DIMENSION STYLE	SCALE	DESIGN UNITS	THIRD ANGLE PROJECTION															
	$\nabla=0$ $\nabla=0$	<table border="1"> <tr> <th></th> <th>mm</th> <th>INCH</th> </tr> <tr> <td>4 PLACES</td> <td>± 0.15</td> <td>± 0.005</td> </tr> <tr> <td>3 PLACES</td> <td>± 0.05</td> <td>± 0.002</td> </tr> <tr> <td>2 PLACES</td> <td>± 0.1</td> <td>± 0.004</td> </tr> <tr> <td>1 PLACE</td> <td>± 0.15</td> <td>± 0.006</td> </tr> </table>		mm	INCH	4 PLACES	± 0.15	± 0.005	3 PLACES	± 0.05	± 0.002	2 PLACES	± 0.1	± 0.004	1 PLACE	± 0.15	± 0.006	MM ONLY	2:1	METRIC	
		mm	INCH																		
	4 PLACES	± 0.15	± 0.005																		
3 PLACES	± 0.05	± 0.002																			
2 PLACES	± 0.1	± 0.004																			
1 PLACE	± 0.15	± 0.006																			
DESCRIPTION	DRAWN BY	DATE	TITLE	ASSY. DIN 41612, R MALE 96P. PRESS-IN. WIRE WRAP ADAPTER INSERTION AREA																	
REV	GJLOWE 1999/09/24 GJLOWE 1999/09/24 GJLOWE 1999/09/24	SS 1999/09/24 GJLOWE 1999/09/24 GJLOWE 1999/09/24	SEE CHART SIZE A 1	MATERIAL NO. SD-36515-005	DOCUMENT NO. MOLEX INCORPORATED	SHEET NO. 2 OF 2															