

PLEASE CHECK WWW.MOLEX.COM FOR LATEST PART INFORMATION

Part Number: [0190110038](#)
Status: **Active**
Description: InsulKrimp™ Piggyback Quick Disconnect, Tab 6.35mm (.250") by 0.81mm (.032"), 14-16 AWG, Blue Insulator, Tape

Documents:

[Drawing \(PDF\)](#) [RoHS Certificate of Compliance \(PDF\)](#)
[Product Specification PS-19902-008 \(PDF\)](#)

Agency Certification

CSA LR18689
 UL E79133

General

Product Family Quick Disconnects
 Series [19011](#)
 Crimp Quality Equipment Yes
 Product Name InsulKrimp™
 Type Quick Disconnect

Physical

Barrel Type Closed
 Flammability 94V-2
 Gender Female
 Glow-Wire Compliant No
 Insulation PVC
 Lock to Mating Part No
 Orientation Straight
 Packaging Type Adhesive Tape on Reel
 Polarized to Mating Part Yes
 Tab Thickness 0.81mm (.032")
 Tab Width 6.35mm (.250")
 Temperature Range - Operating 105°C
 Wire Insulation Diameter 3.56mm (.140") max.
 Wire Size AWG 14, 16
 Wire Size mm² 1.30 - 2.00

Electrical

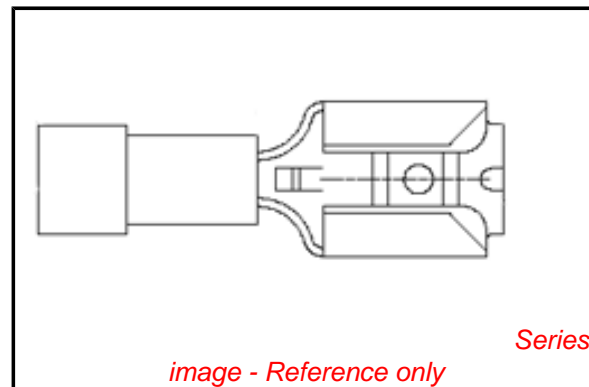
Voltage - Maximum 600V AC

Material Info

Old Part Number BB-2302T

Reference - Drawing Numbers

Product Specification PS-19902-008
 Sales Drawing SD-19011-004



EU RoHS

ELV and RoHS Compliant
REACH SVHC
 Not Reviewed
Halogen-Free Status
 Not Reviewed

China RoHS



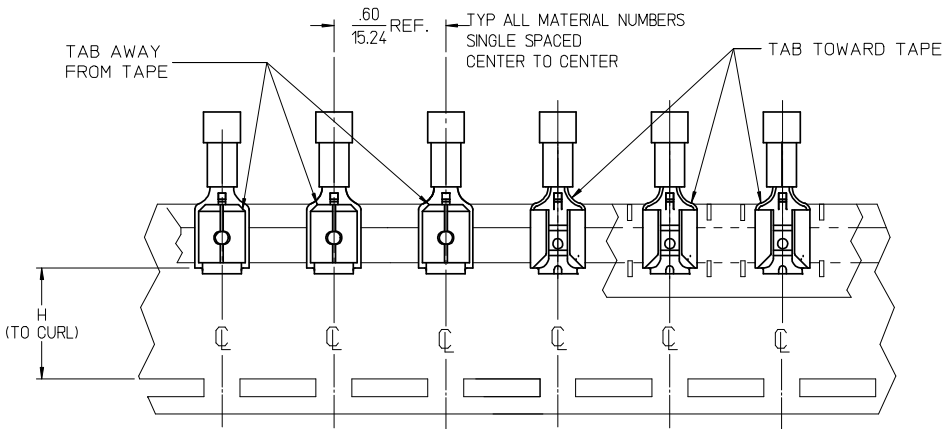
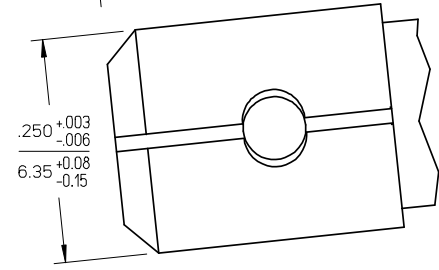
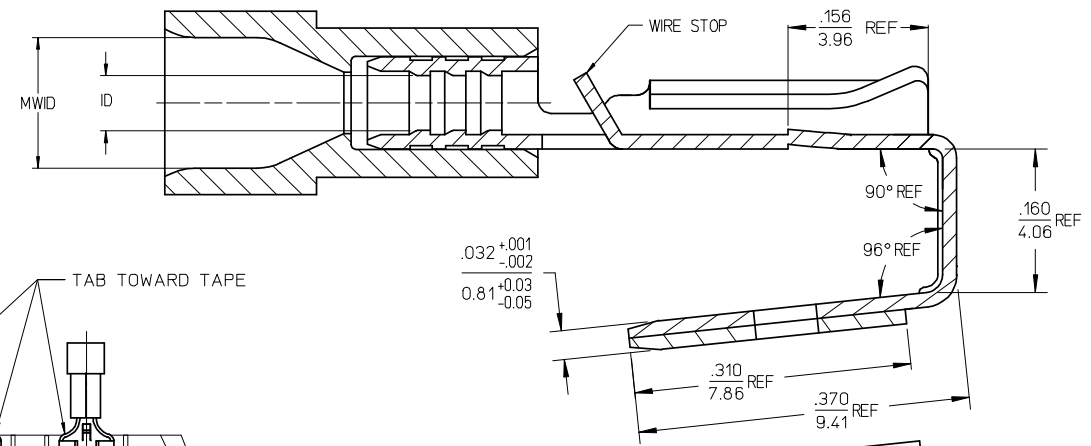
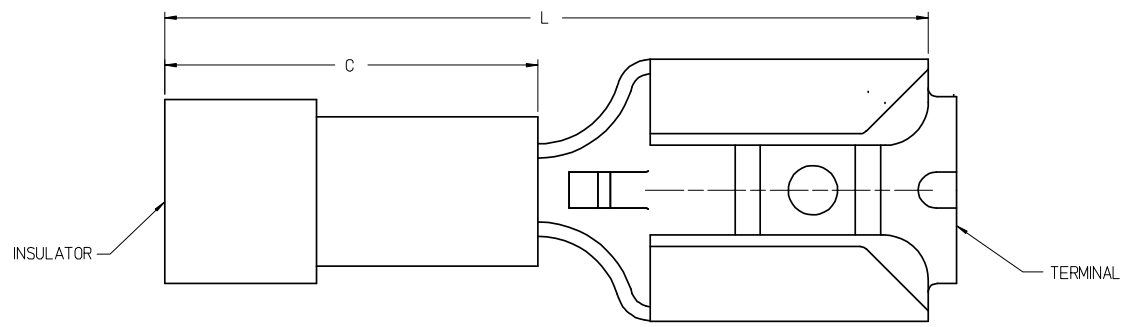
Need more information on product environmental compliance?

Email productcompliance@molex.com
 For a multiple part number RoHS Certificate of Compliance, [click here](#)

Please visit the [Contact Us](#) section for any non-product compliance questions.

Search Parts in this Series
[19011Series](#)

13	12	11	10	9	8	7	6	4	3	2	1
MATERIAL NO. LOOSE PC	ENGINEERING NO. LOOSE PC	MATERIAL NO. ON TAPE	ENGINEERING NO. ON TAPE	WIRE SIZE	INSULATOR COLOR	ID MIN REF	MWID	C MAX	L MAX	H NOMINAL (F)	BARE TAB POSITION
190110035	AA-2301	190110036	AA-2301T	22-18 AWG	RED	.0575/1.480	.110/2.79	.410/10.41	.870/22.10	.54/13.7	AWAY FROM TAPE
190110037	BB-2302	190110038	BB-2302T	16-14 AWG	BLUE	.082/2.08	.140/3.56	.410/10.41	.870/22.10	.54/13.7	AWAY FROM TAPE
190110039	C-2303	190110040	C-2303T	12-10 AWG	YELLOW	.128/3.25	.225/5.71	.555/14.10	1.010/25.65	.57/14.4	TOWARD TAPE (F)



PARTS ON TAPE (F)
(SCALE 2:1)

NOTES:

1. TERMINAL MATERIAL: BRASS
2. TERMINAL FINISH: TIN PLATED
3. INSULATOR MATERIAL: PVC
4. MWID = MAXIMUM WIRE INSULATION DIAMETER.
5. ASSEMBLY IS ROHS COMPLIANT.

TAPE ORIENTATION EC NO: WNA2008-0032 DRAWN: THRODAHL 2008/02/14 CHKD: JMACNEIL 2008/03/11 APPR: JMACNEIL 2008/03/11	QUALITY SYMBOLS ▼=0 ▽=0	GENERAL TOLERANCES (UNLESS SPECIFIED)		DIMENSION STYLE IN/MM		SCALE 10:1	DESIGN UNITS INCH	THIRD ANGLE PROJECTION
		4 PLACES ± --- ± --- 3 PLACES ± --- ± .005 2 PLACES ± 0.13 ± .1 1 PLACE ± 0.25 ± --- ANGULAR ± 1°	mm INCH DRAWN BY JLMASTRO 2005/09/12 CHECKED BY RDEROSS 2005/09/12 APPROVED BY RDEROSS 2005/09/12	TITLE PIGGYBACK QD, .250 X .032 TAB, INSULKRIMP		MOLEX INCORPORATED		
DRAFT WHERE APPLICABLE MUST REMAIN WITHIN DIMENSIONS		MATERIAL NO. SEE CHART		DOCUMENT NO. SD-19011-004		SHEET NO. 1 OF 1		
THIS DRAWING CONTAINS INFORMATION THAT IS PROPRIETARY TO MOLEX INCORPORATED AND SHOULD NOT BE USED WITHOUT WRITTEN PERMISSION								