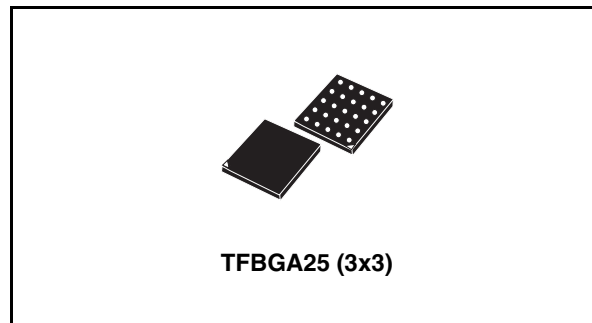


High power white LED driver with I²C interface

Features

- Buck-boost DC/DC converter
- Drives one power white LED up to:
800 mA between 3.3 V to 5.5 V
600 mA between 2.7 V to 5.5 V
- Efficiency up to 92%
- Output current control
- 1.8 MHz typ fixed frequency PWM
- Synchronous rectification
- Full I²C control
- Operational modes:
Shutdown mode
- Ready mode + auxiliary red LED
Ready mode + NTC
Flash mode: up to 800 mA
Torch mode: up to 200 mA
- Soft and hard triggering of flash
- Flash and torch dimming with 16 exponential values
- Dimmable red LED indicator auxiliary output
- Internally or externally timed flash operation
- Digitally programmable safety time-out in flash mode
- LED overtemperature detection and protection with external NTC resistor
- Opened and shorted LED failure detection and protection
- Chip over temperature detection and protection
- < 1 μ A Shutdown current
- Package (3x3 mm) TFBGA25



Applications

- Cell phone and smart phones
- Camera flashes/strobe
- PDAs and digital still cameras

Description

The STCF03I is a high efficiency power supply solution to drive a single flash LED in camera phone, PDAs and other hand-held devices. It is a buck - boost converter to guarantee a proper LED current control over all possible conditions of battery voltage and output voltage; the output current control ensures a good current regulation over the forward voltage spread characteristics of the flash LED.

Thanks to the high efficiency of the converter, the input current taken from the battery remains under 1.5 A. All the functions of the device are controlled through the I²C bus which helps to reduce logic pins on the package and to save PCB tracks on the board. (See [1: Description \(continued\)](#))

Table 1. Device summary

Order code	Package	Packaging
STCF03ITBR	TFBGA25 (3x3 mm)	3000 parts per reel

Contents

1	Description (continued)	6
2	Diagram	7
3	Pin configuration	8
4	Maximum ratings	9
5	Application	10
6	Electrical characteristics	11
7	Introduction	13
7.1	Buck-Boost converter	13
7.2	Logic pin description	13
7.2.1	SCL, SDA pins	13
7.2.2	TRIG pin	13
7.2.3	ATN pin	13
7.2.4	ADD pin	14
7.2.5	TMSK pin	14
7.3	I ² C bus interface	15
7.4	Data validity	15
7.5	Start and stop conditions	15
7.6	Byte format	16
7.7	Acknowledge	16
7.8	Writing to a single register	17
7.9	Interface protocol	17
7.10	Writing to multiple registers with incremental addressing	18
7.11	Reading from a single register	18
7.12	Reading from multiple registers with incremental addressing	19
8	Description of internal registers	20
8.1	PWR_ON	20
8.2	TRIG_EN	20

8.3	TCH_ON	20
8.4	NTC_ON	20
8.5	FTIM_0~3	21
8.6	TDIM_0~3	21
8.7	FDIM_0~3	21
8.8	AUXI_0~3	22
8.9	AUXT_0~3	22
8.10	F_RUN	23
8.11	LED_F	23
8.12	NTC_W	23
8.13	NTC_H	23
8.14	OT_F	23
8.15	VOUTOK_N	24
9	Detailed description	25
9.1	PowerON reset	25
9.2	Shutdown	25
9.3	Ready mode	25
9.4	Single or multiple Flash using external (μ P) temporization	25
9.5	External (μ P) temporization using TRIG_EN bit	26
9.6	Single Flash using internal temporization	26
9.7	Multiple Flash using internal temporization	26
10	Typical performance characteristics	27
11	Package mechanical data	29
12	Revision history	32

List of tables

Table 1.	Device summary	1
Table 2.	Pin description	8
Table 3.	Absolute maximum ratings (see <i>Note</i>).	9
Table 4.	Thermal data	9
Table 5.	List of external components	10
Table 6.	Electrical characteristics	11
Table 7.	Address table	14
Table 8.	Interface protocol	17
Table 9.	I ² C register mapping function	20
Table 10.	Command register	20
Table 11.	Dimming register.	21
Table 12.	Auxiliary register	22
Table 13.	Auxiliary LED dimming table	22
Table 14.	Torch mode and Flash mode dimming registers settings	22
Table 15.	Status register.	23
Table 16.	Status register details	24
Table 17.	Document revision history	32

List of figures

Figure 1.	Block diagram	7
Figure 2.	Pin connections (bottom view)	8
Figure 3.	Application schematic	10
Figure 4.	Procedure for assigning a non-default I ² C address	14
Figure 5.	Data validity on the I ² C Bus	15
Figure 6.	Timing diagram on I ² C Bus	15
Figure 7.	Bit transfer	16
Figure 8.	Acknowledge on I ² C bus	16
Figure 9.	Writing to a single register	17
Figure 10.	Writing to multiple registers with incremental addressing	18
Figure 11.	Reading from a single register	19
Figure 12.	Reading from multiple registers	19
Figure 13.	Flash and Torch current vs. dimming value	21
Figure 14.	VOUTOK_N behavior	24
Figure 15.	Flash current vs F_DIMM	27
Figure 16.	Torch current vs T_DIMM	27
Figure 17.	Aux current vs AUXI	27
Figure 18.	Flash current vs temp	27
Figure 19.	V _{FB2} Flash vs temp	27
Figure 20.	I _Q vs temp	27
Figure 21.	Efficiency	28
Figure 22.	Start-Up in Flash mode 800 mA at V _I = 3.6 V	28
Figure 23.	Line transient in Flash mode 800 mA, change of V _I from 2.7 V to 3.3 V in 10 μs	28

1 Description (continued)

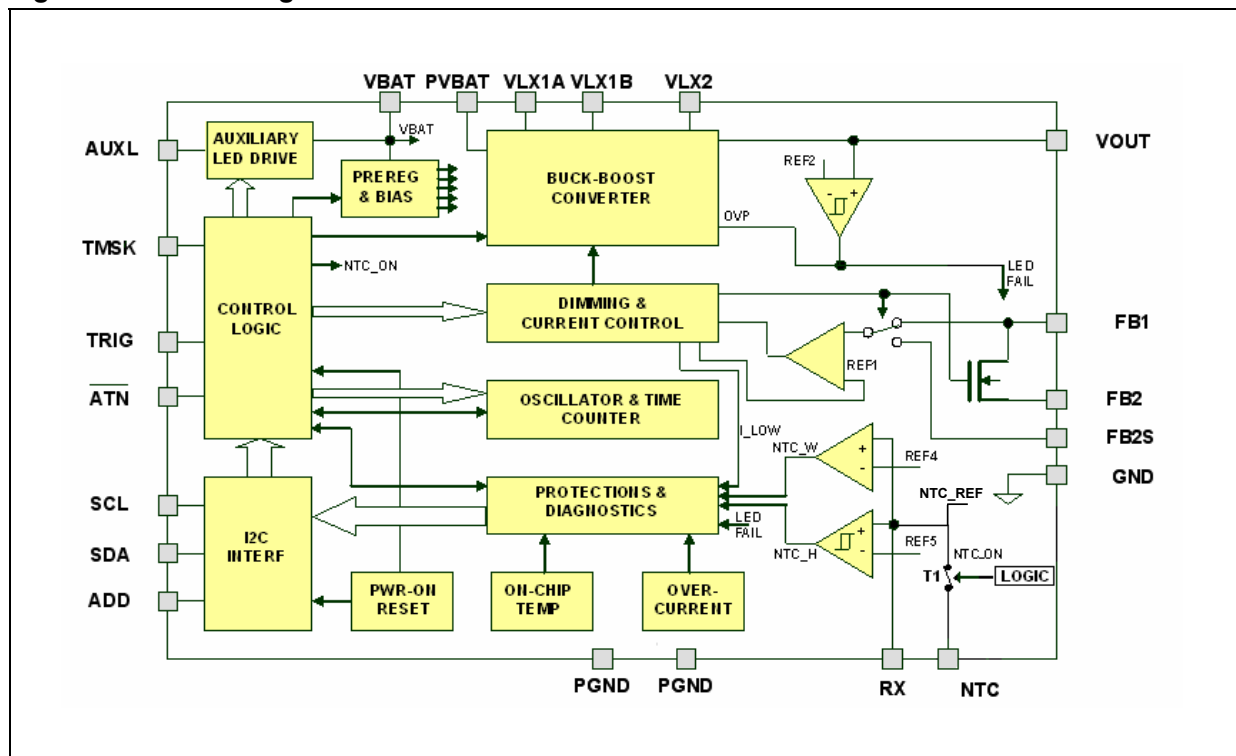
Hard and soft-triggering of flash are both supported. The device includes many functions to protect the chip and the power LED, such as: a soft start control, chip over temperature detection and protection, as well as opened and shorted LED detection and protection. Besides, a digital programmable time out function protects the LED in case of a wrong command from the μ P. An optional external NTC resistor is supported to protect the LED against over heating. In mobile phone applications, it is possible to reduce immediately the flash LED current during the signal transmission using the TMSK pin. This saves battery life and gives more priority to supply RF transmission instead of flash function.

It is possible by I²C to separately program the current intensity in flash and torch mode using exponential steps. An auxiliary output can control an optional red LED to be used as a recording indicator.

The device is packaged in 3x3 mm μ TFBGA25 with a height less than 1 mm.

2 Diagram

Figure 1. Block diagram



3 Pin configuration

Figure 2. Pin connections (bottom view)

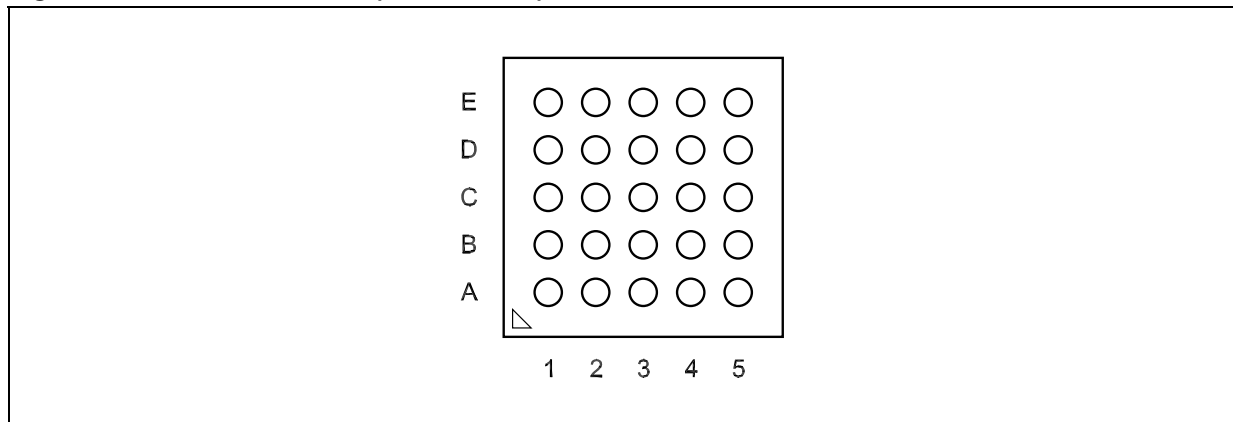


Table 2. Pin description

Pin n°	Symbol	Description
E1,D2	VLX2	Inductor connection
B3	RX	Rx resistor connection
D1,C2	VOUT	Output voltage
A4	NTC	NTC resistor connection
B5	FB1	Feedback pin [$I_{LED} \cdot (R_{FL} + R_{TR})$]
A5	FB2	R_{TR} bypass
B4	FB2S	Feedback pin [$I_{LED} \cdot R_{FL}$]
E2	GND	Signal ground
C5	TMSK	TX mask input.
D5	AUXL	Auxiliary LED output
D4	ADD	I ² C address selection
A3	VBAT	Supply voltage
B1,C1	PVBAT	Power supply voltage
A2	VLX1A	Inductor connection
A1,B2	VLX1B	Inductor connection
E4	ATN	Attention (open drain output, active LOW)
E3	SDA	I ² C data
C3,D3	PGND	Power ground
E5	SCL	I ² C clock signal
C4	TRIG	Flash trigger input

4 Maximum ratings

Table 3. Absolute maximum ratings (see [Note:](#))

Symbol	Parameter	Value	Unit
V _{BAT}	Signal supply voltage	-0.3 to 6	V
P _{V_{BAT}}	Power supply voltage	-0.3 to 6	V
VLX1A, VLX1B	Inductor connection 1	-0.3 to V _I +0.3	V
VLX2	Inductor connection 2	-0.3 to V _O +0.3	V
V _{OUT}	Output Voltage	-0.3 to 6	V
AUXL	Auxiliary LED	-0.3 to V _I +0.3	V
FB1, FB2, FB2S	Feedback and sense voltage	-0.3 to 3	V
SCL, SDA, TRIG, ATN, ADD TMSK	Logic pin	-0.3 to V _I +0.3	V
R _X	Connection for reference resistor	-0.3 to 3	V
NTC	Connection for LED Temperature sensing	-0.3 to 3	V
ESD	Human body model	±2	kV
P _{TOT} (BGA) ⁽¹⁾	Continuous power dissipation (at T _A =70°C)	800	mW
T _{OP}	Operating junction temperature range	-40 to 85	°C
T _J	Junction temperature	-40 to 150	°C
T _{STG}	Storage temperature range	-65 to 150	°C

1. Power dissipation is related parameter to used PCB. The recommended PCB design is included in the application note.

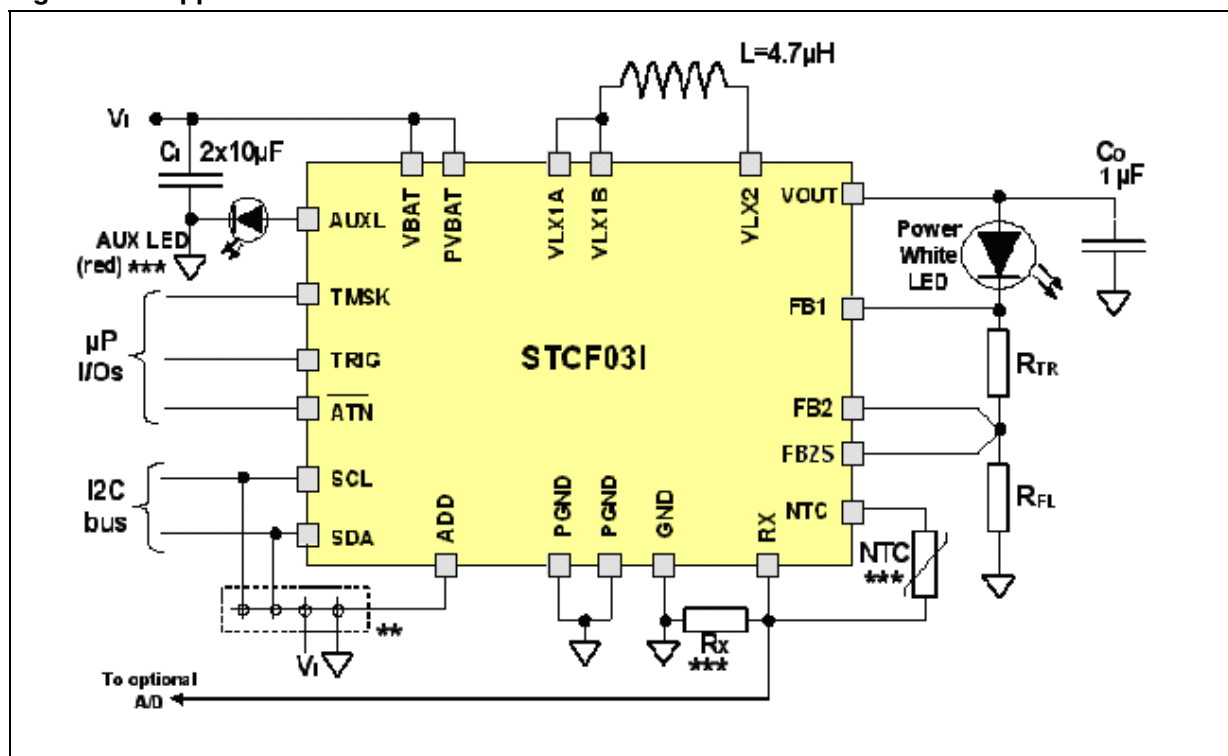
Note: Absolute maximum ratings are those values beyond which damage to the device may occur. Functional operation under these condition is not implied.

Table 4. Thermal data

Symbol	Parameter	Value	Unit
R _{thJA}	Thermal resistance junction-ambient	150	°C/W

5 Application

Figure 3. Application schematic



** : Connect to Vi, or GND or SDA or SCL to choose one of the 4 different I2C Slave Addresses.

*** : Optional components to support auxiliary functions.

Table 5. List of external components

Component	Manufacturer	Part number	Value	Size
C _I	TDK	X5R0J106M	10 μF	0603
C _O	TDK	X5R0J105M	1 μF	0603
L (I _{FLASH} = 0.5A)	TDK	VLF3012ST-4R7MR91	4.7 μH	2.6 x 2.8 x 1.2 mm
L (I _{FLASH} = 0.8A)	TDK	VLF4012AT-4R7M1R1	4.7 μH	3.7 x 3.5 x 1.2 mm
NTC	Murata	NCP21WF104J03RA	100 kΩ	0805
R _{FL}			0.27 Ω	0603
R _{TR}			1.8 Ω	0402
R _X			15 kΩ	0402
LED	Luxeon LED	LXCL-PW1		

Note: All of the above listed components refer to typical application. Operation of the STCF03I is not limited to the choice of these external components.

6 Electrical characteristics

Table 6. Electrical characteristics

($T_J = 25^\circ\text{C}$, $V_I = 3.6\text{ V}$, $2x C_I = 10\ \mu\text{F}$, $C_O = 1\ \mu\text{F}$, $L = 4.7\ \mu\text{H}$, $R_{FL} = 0.27\ \Omega$, $R_{TR} = 1.8\ \Omega$, $R_X = 15\ \text{k}\Omega$, Typ. values @ 25°C , unless otherwise specified).

Symbol	Parameter	Test condition	Min.	Typ.	Max.	Unit
V_I	Input operation supply voltage		2.7		5.5	V
V_{PW_ON} RESET	Power ON reset threshold	V_I rising		2.3		V
I_O	Output current adjustment range I_{FLASH}	Flash mode for $V_I = 3.3\text{ V}$ to 5.5 V	60		800	mA
		Flash mode for $V_I = 2.7\text{ V}$ to 3.3 V	60		600	
	Output current adjustment range I_{TORCH}	Torch mode $V_I = 2.7\text{ V}$ to 5.5 V	15		200	
	Auxiliary LED output current adjustment range I_{AUXLED}	Ready mode, $V_I = 3.3\text{ V}$ to 5.5 V	0		20	
V_O	Regulated voltage range		2.5		5.3	V
FB1	Feedback voltage	Torch mode	30		250	mV
FB2	Feedback voltage	Flash mode	30		250	mV
ΔI_O	Output current tolerance	Flash mode, $I_O = 160\text{ mV}/R_{FL}$	-10		10	%
$R_{ON_}$	FB1-FB2 ON resistance	Torch mode, $I_O = 200\text{ mA}$		90		m Ω
I_Q	Quiescent current in SHUTDOWN mode			1		μA
	Quiescent current in Ready -mode			1.8		mA
f_s	Frequency	$V_I = 2.7\text{ V}$		1.8		MHz
ν	Efficiency of the chip itself	$V_I = 3.2$ to 4.2 V , flash mode, $I_O = 800\text{ mA}$		87		%
	Efficiency of the whole application	$V_I = 3.2$ to 4.2 V , flash mode, $I_O = 800\text{ mA}$, $V_O = V_{fLED_max} + V_{FB2} = 5.02\text{ V}$ See the typical application schematic It is included losses of inductor and sensing resistor		76		
OVP	Output over voltage protection	$V_I = 5.5\text{ V}$, No Load	5.5			V
OV_{HYST}	Over voltage hysteresis	$V_I = 5.5\text{ V}$, No Load		0.3		V
OTP	Over temperature protection	$V_I = 5.5\text{ V}$		140		$^\circ\text{C}$
OT_{HYST}	Over temperature hysteresis	$V_I = 5.5\text{ V}$		20		$^\circ\text{C}$
$R_{ON T1}$	RX-NTC switch On resistance	Ready mode		25		Ω
NTC_{LEAK}	RX-NTC switch OFF leakage	Shutdown mode, $V_{NTC} = 2\text{ V}$ $V_{RX} = \text{GND}$			1	μA
NTC_REF	NTC reference voltage			1.8		V

Table 6. Electrical characteristics (continued)

($T_J = 25^\circ\text{C}$, $V_I = 3.6\text{ V}$, $2 \times C_I = 10\ \mu\text{F}$, $C_O = 1\ \mu\text{F}$, $L = 4.7\ \mu\text{H}$, $R_{FL} = 0.27\ \Omega$, $R_{TR} = 1.8\ \Omega$, $R_X = 15\ \text{k}\Omega$, Typ. values @ 25°C , unless otherwise specified).

Symbol	Parameter	Test condition	Min.	Typ.	Max.	Unit
V_{OL}	Output logic signal level low ATN	$I_{OL} = 10\ \text{mA}$			0.2	V
I_{OZ}	Output logic leakage current ATN	$V_{OZ} = 3.3\ \text{V}$			1	mA
V_{IL}	Input Logic signal level SCL, SDA, TRIG, TEST, ADD	$V_I = 2.7\ \text{V to } 5.5\ \text{V}$	0		0.4	V
V_{IH}			1.4		3	
T_{ON}	LED current rise time $I_{LED} = 0$ to $I_{LED} = \text{max}$				2	ms

Note: *Typical value, not production tested.*

7 Introduction

The STCF03I is a buck-boost converter, dedicated to power and control the current of a power white LED in a camera cell phone. The device operates at a constant switching frequency of 1.8 MHz typ. It provides an output voltage down to 2.5 V and up to 5.3 V, from a 2.7 V to 5.5 V supply voltage. This supply range allows operation from a single cell Lithium-Ion battery. The I²C bus is used to control the device operation and for diagnostic purposes. The current in torch mode is adjustable from 15 mA to 200 mA. Flash mode current is adjustable up to 800 mA for an input voltage ranging from 3.3 V to 5.5 V and up to 600 mA for an input voltage ranging from 2.7 V to 5.5 V. The Aux LED current can be adjusted from 0 to 20 mA. The device uses an external NTC resistor to sense the temperature of the white LED. These two last functions may not be needed in all applications, and in these cases the relevant external components can be omitted.

7.1 Buck-Boost converter

The regulation of the PWM controller is done by sensing the current of the LED through external sensing resistors (R_{FL} and R_{TR} , see application schematic). Depending on the forward voltage of the flash LED, the device automatically can change the operation mode between buck (step down) and boost (step up) mode.

Three cases can occur: Boost region ($V_O > V_{BAT}$): this configuration is used in most cases, as the output voltage $V_O = V_{fLED} + I_{LED} \times R_{FL}$ is higher than V_{BAT} ; Buck region ($V_O < V_{BAT}$); Buck / Boost region ($V_O \sim V_{BAT}$).

7.2 Logic pin description

7.2.1 SCL, SDA pins

These are the standard clock and data pins as defined in the I²C bus specification. External pull-up is required according to I²C bus specifications. The recommended maximum voltage of these signals should be 3.0 V.

7.2.2 TRIG pin

This input pin is internally AND-ed with the TRIG_EN bit to generate the internal signal that activates the flash operation. This gives to the user the possibility to accurately control the flash duration using a dedicated pin, avoiding the I²C bus latencies (hard-triggering). No internal pull-up nor pull-down is provided.

7.2.3 ATN pin

This output pin (open-drain, active LOW) is provided to better manage the information transfer from the STCF03I to the μ P. Because of the limitations of a single master I²C bus configuration, the μ P should regularly poll the STCF03I to verify if certain operations have been completed, or to check diagnostic information. Alternatively, the μ P can use the ATN pin to be advised that new data are available in the STAT_REG, thus avoiding continuous polling. Then the information can be read in the STAT_REG by a read operation via I²C that, besides, automatically resets the ATN pin. The STAT_REG bits affecting the ATN pin status are mapped in [Table 16](#). No internal pull-up is provided.

7.2.4 ADD pin

With this pin it is possible to select one of the 4 possible I²C slave addresses. No internal pull-up nor pull-down is provided. The pin has to be connected to either GND, V_I, SCL or SDA to select the desired I²C slave address (see [Table 7](#))

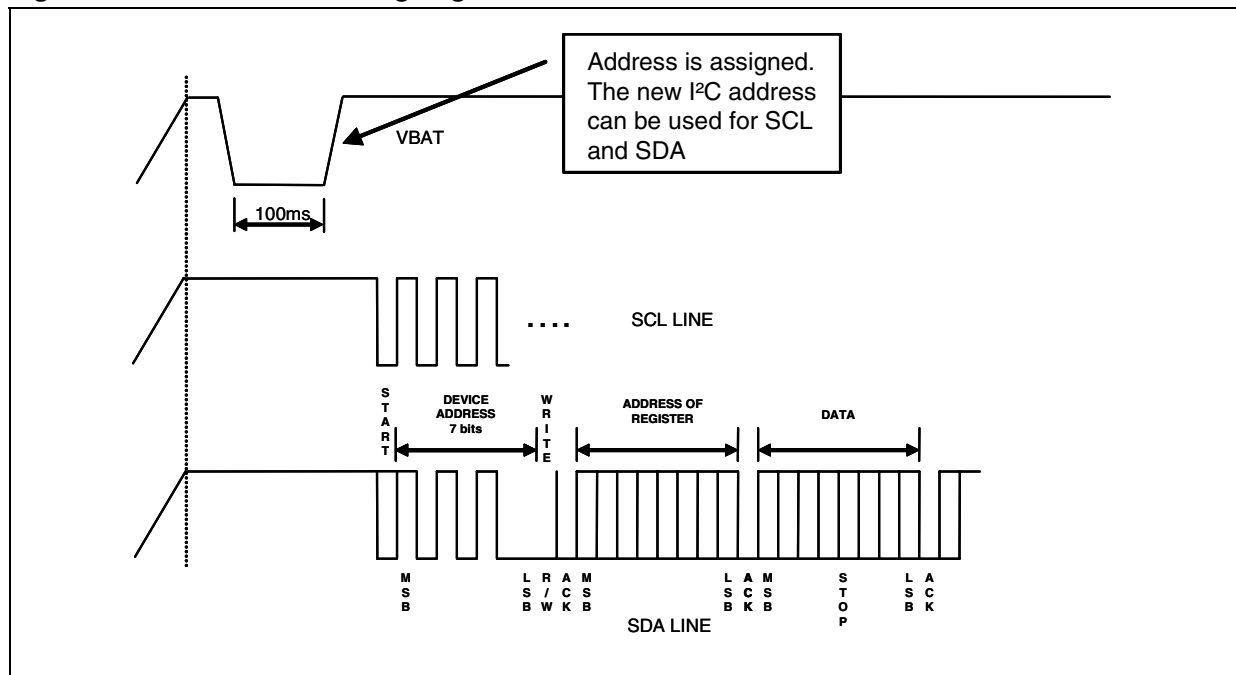
Table 7. Address table

ADD pin	A7	A6	A5	A4	A3	A2	A1	A0
GND	0	1	1	0	0	0	0	R/W
VBAT	0	1	1	0	0	0	1	R/W
SDAL	0	1	1	0	0	1	0	R/W
SCL	0	1	1	0	0	1	1	R/W

When ADD is connected to GND the I²C address is assigned automatically while in the other three configurations in which ADD pin is connected to VBAT or SDA or SCL, the following procedure must be activated in order that the right address is assigned.

After applying VBAT to the chip, the VBAT voltage must be pulled down to GND for a time longer than 100 ms. After that time the right I²C address is assigned to the chip. This procedure must be repeated every time the VBAT voltage is disconnected (see [Figure 4](#) below).

Figure 4. Procedure for assigning a non-default I²C address



7.2.5 TMSK pin

This pin can be used to implement the T_X masking function. This function has effect only for flash current settings higher than 200 mA (bit FDIM_3=1). Under this condition, when this pin is pulled high by the μP, the current flowing in the LED is forced at 200 mA typ. No internal pull-up nor pull-down is provided; to be externally wired to GND if T_X masking function is not used.

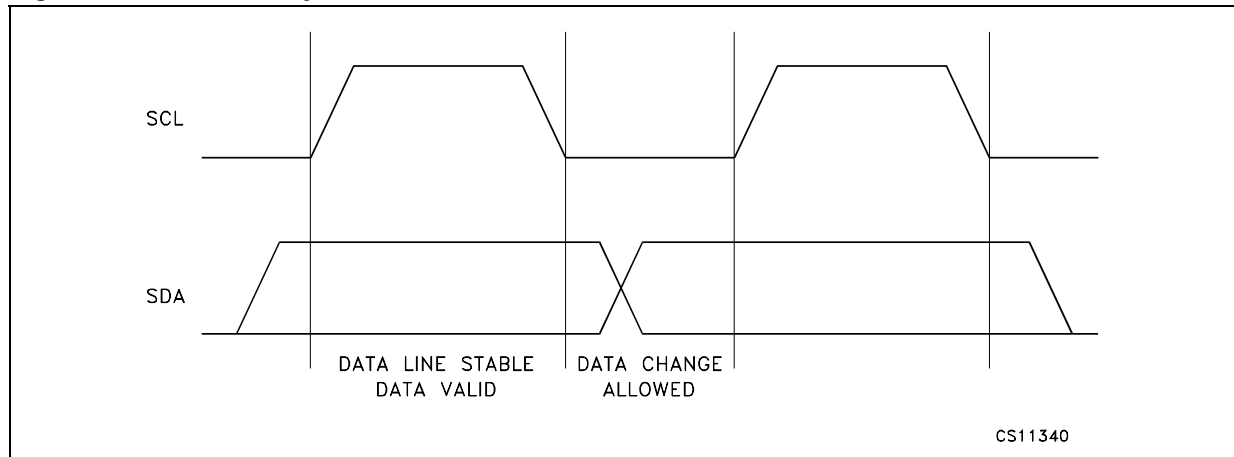
7.3 I²C bus interface

Data transmission from the main μ P to STCF03I and vice versa takes place through the 2 I²C bus interface wires, consisting of the two lines SDA and SCL (pull-up resistors to a positive supply voltage must be externally connected). The recommended maximum voltage of these signals should be 3.0 V.

7.4 Data validity

As shown in [Figure 5](#), the data on the SDA line must be stable during the high period of the clock. The HIGH and LOW state of the data line can only change when the clock signal on the SCL line is LOW.

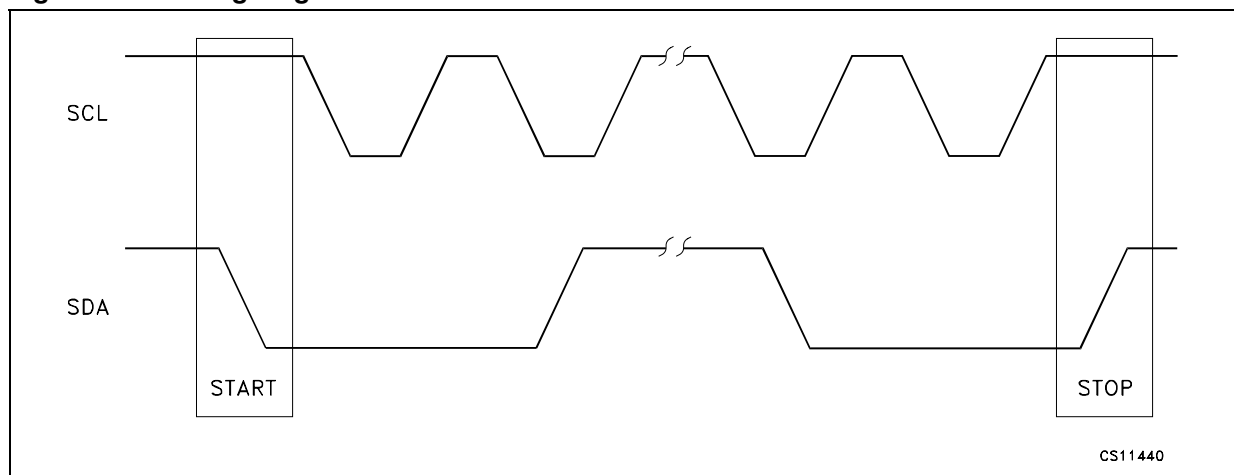
Figure 5. Data validity on the I²C Bus



7.5 Start and stop conditions

Both DATA and CLOCK lines remain HIGH when the bus is not busy. As shown in [Figure 6](#), a start condition is a HIGH to LOW transition of the SDA line while SCL is HIGH. The stop condition is a LOW to HIGH transition of the SDA line while SCL is HIGH. A STOP condition must be sent before each START condition.

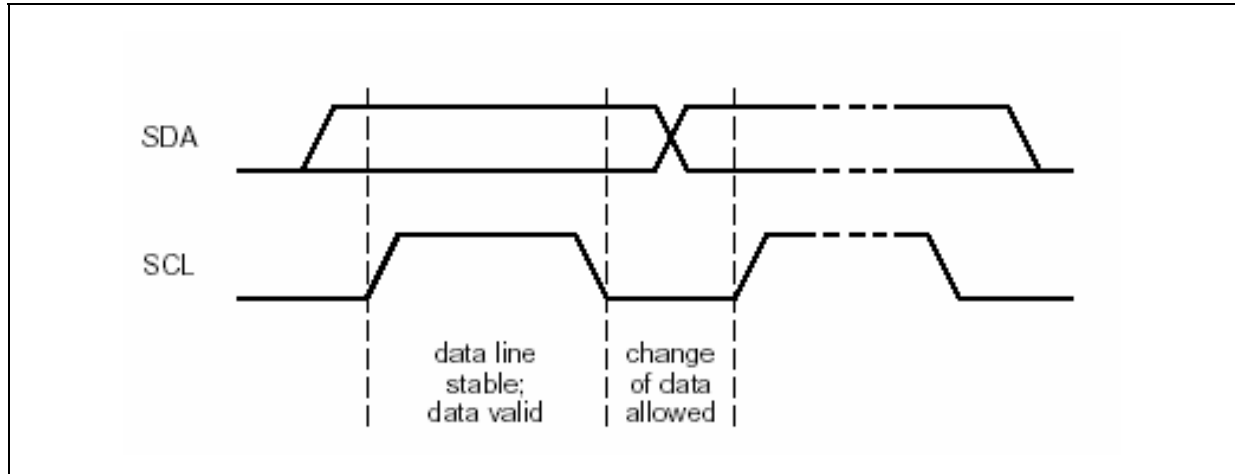
Figure 6. Timing diagram on I²C Bus



7.6 Byte format

Every byte transferred to the SDA line must contain 8 bits. Each byte must be followed by an acknowledge bit. The MSB is transferred first. One data bit is transferred during each clock pulse. The data on the SDA line must remain stable during the HIGH period of the clock pulse. Any change in the SDA line at this time will be interpreted as a control signal.

Figure 7. Bit transfer



7.7 Acknowledge

The master (μ P) puts a resistive HIGH level on the SDA line during the acknowledge clock pulse (see [Figure 8](#)). The peripheral (STCF03I) that acknowledges has to pull-down (LOW) the SDA line during the acknowledge clock pulse, so that the SDA line is stable LOW during this clock pulse. The peripheral which has been addressed has to generate an acknowledge pulse after the reception of each byte, otherwise the SDA line remains at the HIGH level during the ninth clock pulse duration. In this case, the master transmitter can generate the STOP information in order to abort the transfer.

Figure 8. Acknowledge on I²C bus

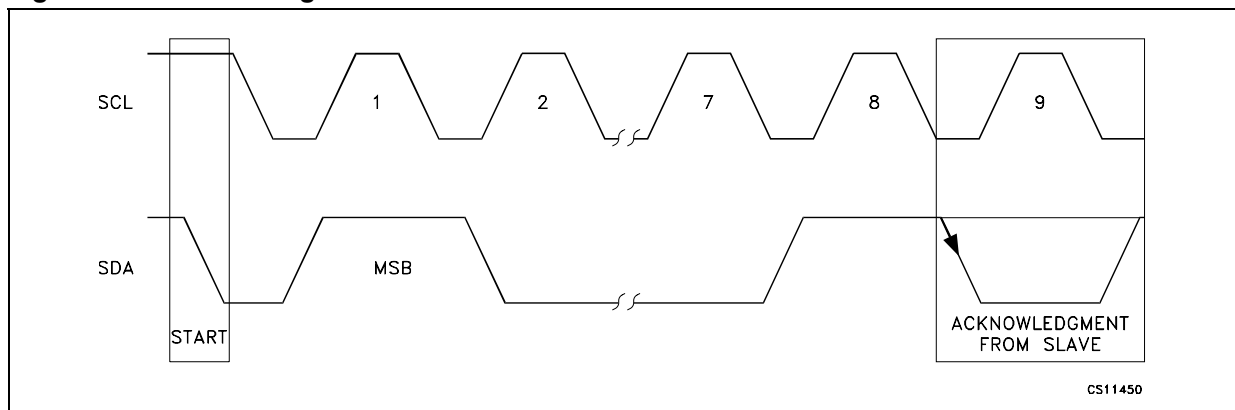


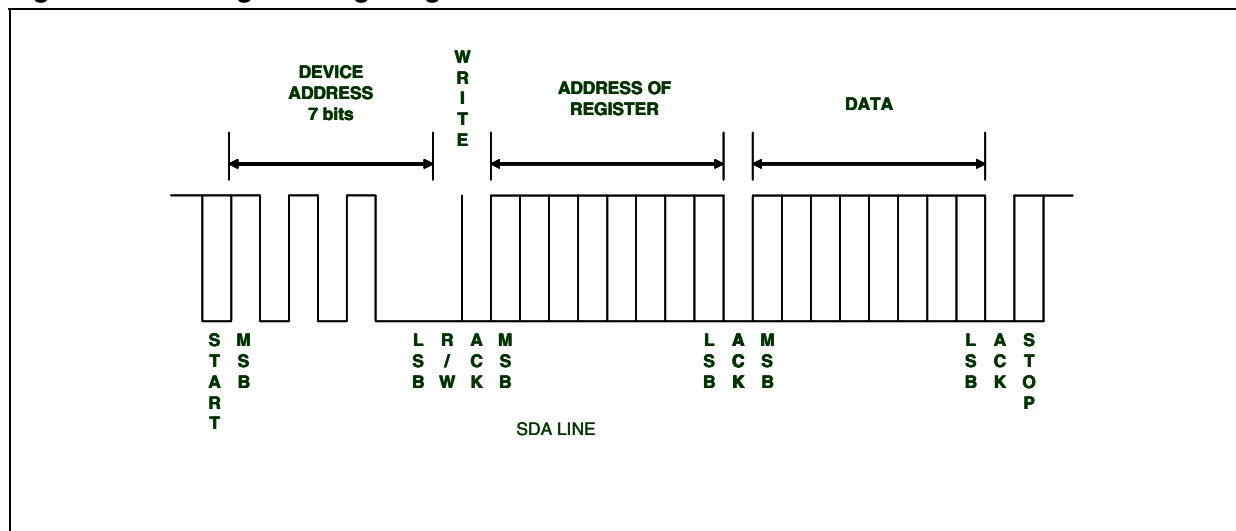
Table 8. Interface protocol

		Device address + R/W bit								Register address								Data																	
		7	6	5	4	3	2	1	0	7	6	5	4	3	2	1	0	7	6	5	4	3	2	1	0										
S T A R T	M S B									L S B	R W	A C K	M S B									L S B	A C K	M S B									L S B	A C K	S T O P

7.8 Writing to a single register

Writing to a single register starts with a START bit followed by the 7 bit device address of STCF03I. The 8th bit is the R/W bit, which is 0 in this case. R/W = 1 means a reading operation. Then the master waits for an acknowledge from STCF03I. Then the 8 bit address of register is sent to STCF03I. It is also followed by an acknowledge pulse. The last transmitted byte is the data that is going to be written to the register. It is again followed by an acknowledge pulse from STCF03I. The master then generates a STOP bit and the communication is over. See [Figure 9](#) below.

Figure 9. Writing to a single register



7.9 Interface protocol

The interface protocol is composed of ([Table 8](#)):

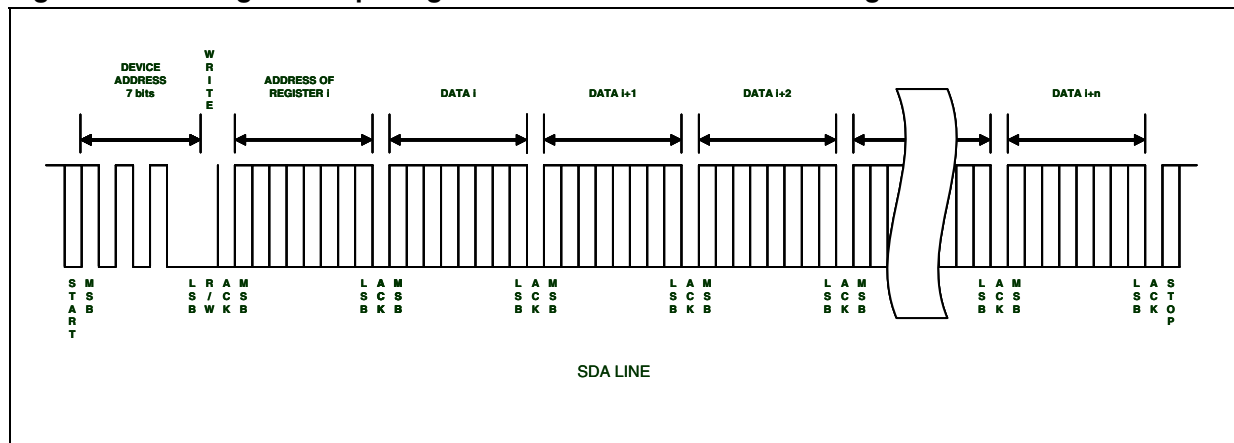
- A start condition (START)
- A Device address + R/W bit (read =1 / write =0)
- A Register address byte
- A sequence of data n* (1 byte + acknowledge)
- A stop condition (STOP)

The register address byte determines the first register in which the read or write operation takes place. When the read or write operation is finished, the register address is automatically increased.

7.10 Writing to multiple registers with incremental addressing

It would be unpractical to send several times the device address and the address of the register when writing to multiple registers. STCF03I supports writing to multiple registers with incremental addressing. When data is written to a register, the address register is automatically increased, so the next data can be sent without sending the device address and the register address again. See [Figure 10](#) below.

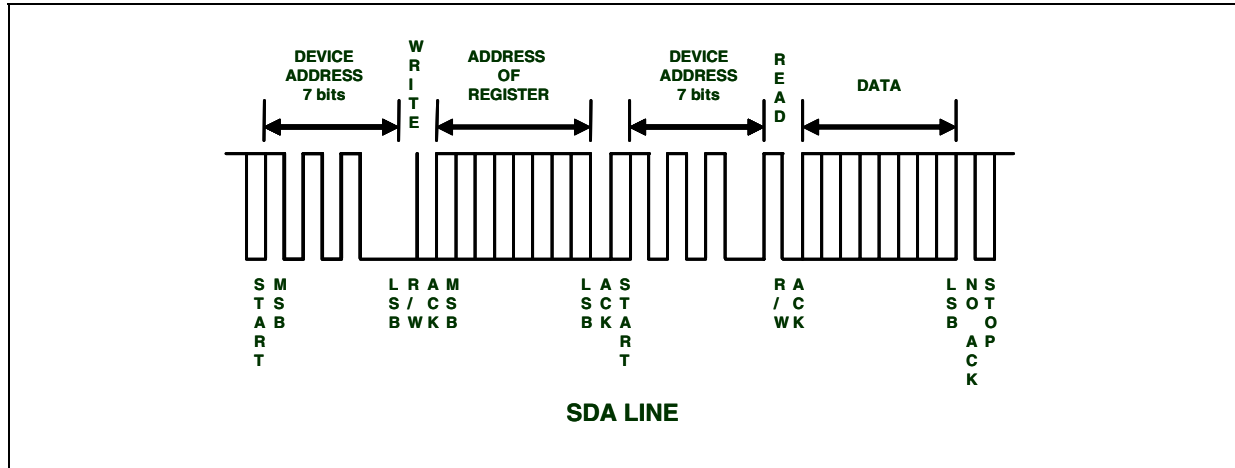
Figure 10. Writing to multiple registers with incremental addressing



7.11 Reading from a single register

The reading operation starts with a START bit followed by the 7 bit device address of STCF03I. The 8th bit is the R/W bit, which is 0 in this case. STCF03I confirms the receiving of the address + R/W bit by an acknowledge pulse. The address of the register which should be read is sent afterwards and confirmed again by an acknowledge pulse of STCF03I again. Then the master generates a START bit again and sends the device address followed by the R/W bit, which is 1 now. STCF03I confirms the receiving of the address + R/W bit by an acknowledge pulse and starts to send the data to the master. No acknowledge pulse from the master is required after receiving the data. Then the master generates a STOP bit to terminate the communication. See [Figure 11](#)

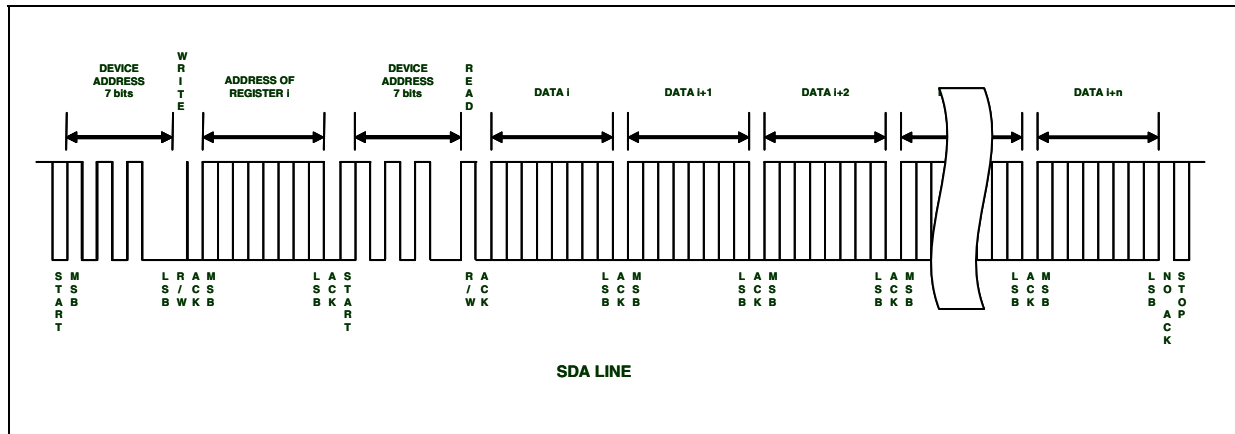
Figure 11. Reading from a single register



7.12 Reading from multiple registers with incremental addressing

Reading from multiple registers starts in the same way like reading from a single register. As soon as the first register is read, the register address is automatically increased. If the master generates an acknowledge pulse after receiving the data from the first register, then reading of the next register can start immediately without sending the device address and the register address again. The last acknowledge pulse before the STOP bit is not required. See the [Figure 12](#).

Figure 12. Reading from multiple registers



8 Description of internal registers

Table 9. I²C register mapping function

Register name	SUB ADDRESS (hex)	Operation
CMD_REG	00	R / W
DIM_REG	01	R / W
AUX_REG	02	R / W
STAT_REG	03	R only

Table 10. Command register

CMD_REG (write mode)	MSB							LSB
SUB ADD=00	PWR_ON	TRIG_EN	TCH_ON	NTC_ON	FTIM_3	FTIM_2	FTIM_1	FTIM_0
Power ON RESET Value	0	0	0	0	0	0	0	0

8.1 PWR_ON

When set, it activates all analog and power internal blocks including the NTC supporting circuit, and the device is ready to operate (ready mode). As long as PWR_ON=0, only the I²C interface is active, minimizing Stand-by Mode power consumption.

8.2 TRIG_EN

This bit is AND-ed with the TRIG pin to generate the internal signal FL_ON that activates flash mode. By this way, both soft-triggering and hard-triggering of the flash are made possible. If soft-triggering (through I²C) is chosen, the TRIG pin is not used and must be kept HIGH (VI). If hard-triggering is chosen, then the TRIG pin has to be connected to a μ P I/O devoted to flash timing control, and the TRIG_EN bit must be set in advance. Both triggering modes can benefit of the internal flash time counter, that uses the TRIG_EN bit and can work either as a safety shut-down timer or as a flash duration timer. Flash mode can start only if PWR_ON=1. LED current is controlled by the value set by the FDIM_0~3 of the DIM_REG.

8.3 TCH_ON

When set from ready mode, the STCF03I enters torch mode. The LED current is controlled by the value set by the TDIM_0~3 of the DIM_REG.

8.4 NTC_ON

When the NTC_ON bit is set to HIGH and the device is in ready mode, then the comparators that monitor the LED temperature are activated. NTC-related blocks are always active regardless of this bit in torch mode and flash mode.

8.5 FTIM_0~3

This 4-bits register defines the maximum flash duration. It is intended to limit the energy dissipated by the LED to a maximum safe value or to leave to the STCF03I the control of the flash duration during normal operation. Values from 0~15 correspond to 0~1.5 s (100 ms steps). The timing accuracy is related to the internal oscillator frequency that clocks the flash time counter (+/-20%, TBD). Entering flash mode (either by soft or hard triggering) activates the flash time counter, which begins counting down from the value loaded in the F_TIM register. When the counter reaches zero, flash mode is stopped by resetting TRIG_EN bit, and simultaneously the ATN pin is set to true (LOW) to alert the μ P that the maximum time has been reached. FTIM value remains unaltered at the end of the count.

Table 11. Dimming register

DIM_REG (write mode)	MSB							LSB
SUB ADD=01	TDIM_3	TDIM_2	TDIM_1	TDIM_0	FDIM_3	FDIM_2	FDIM_1	FDIM_0
Power ON, SHUTDOWN MODE RESET Value	0	0	0	0	0	0	0	0

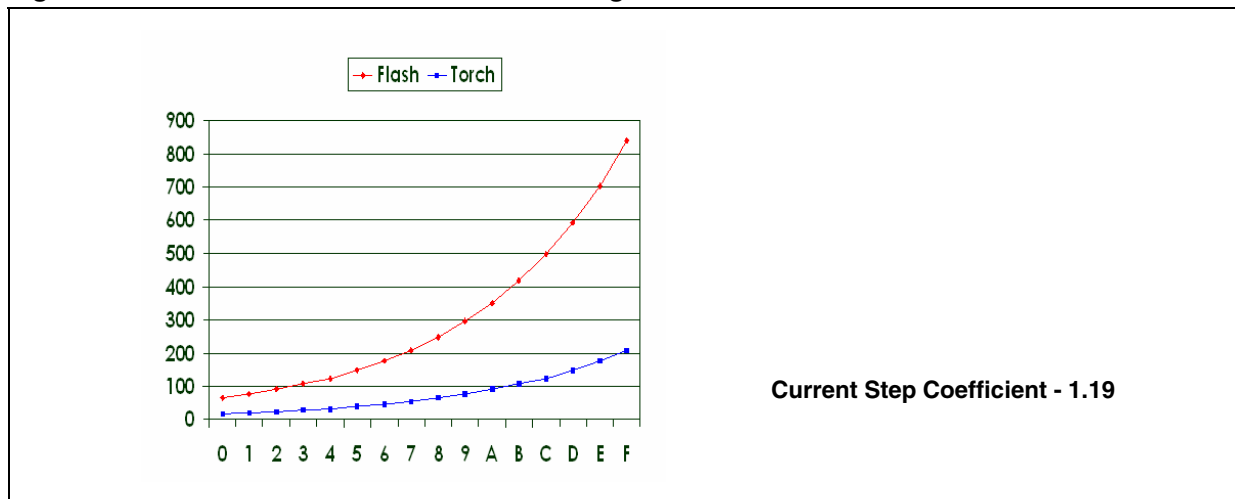
8.6 TDIM_0~3

These 4 bits define the LED current in torch mode with 16 values fitting an exponential law. Max torch current value is 25% of max flash current. (Figure 13)

8.7 FDIM_0~3

These 4 bits define the LED current in flash mode with 16 values fitting an exponential law. The max value of the current is set by the external resistors R_{FL} and R_{TR} . (Figure 13)

Figure 13. Flash and Torch current vs. dimming value



Note: LED current values refer to $R_{FL}=0.27 \Omega$, $R_{TR}=1.8 \Omega$

Table 12. Auxiliary register

AUX_REG (write mode)	MSB							LSB
SUB ADD=02	AUXI_3	AUXI_2	AUXI_1	AUXI_0	AUXT_3	AUXT_2	AUXT_1	AUXT_0
Power ON, SHUTDOWN MODE RESET Value	0	0	0	0	0	0	0	0

8.8 AUXI_0~3

This 4 bits register defines the AUX LED current from 0 to 20 mA. See AUX LED dimming table for reference. Loading any value between 1 and 15 also starts the AUX LED current source timer, if enabled. The AUX LED current source is active only in ready mode, and is deactivated in any other mode.

8.9 AUXT_0~3

This 4 bit register controls the timer that defines the ON-time of the AUX LED current source. ON-time starts when the AUXI register is loaded with any value other than zero, and stops after the time defined in the AUXT register. Values from 1 to 14 of the AUXT register correspond to an ON-time of the AUX LED ranging from 100 to 1400 ms in 100 ms steps. The value 15 puts the AUX LED to the continuous light mode. The activation/deactivation of the AUX LED current source is controlled using only the AUXI register.

Table 13. Auxiliary LED dimming table ⁽¹⁾

AUXI (hex)	0	1	2	3	4	5	6	7	8	9	A	B	C	D	E	F
AUX LED current [mA]	0.0	1.3	2.6	4.0	5.3	6.6	8.0	9.3	10.6	12.0	13.3	14.6	16.0	17.3	18.6	20.0

1. 20 mA output current is achievable only if the supply voltage is higher than 3.3 V.

Table 14. Torch mode and Flash mode dimming registers settings

T_DIM (hex)	0	1	2	3	4	5	6	7	8	9	A	B	C	D	E	F								
F_DIM (hex)									0	1	2	3	4	5	6	7	8	9	A	B	C	D	E	F
LED current [mA]	16	19	23	27	32	39	46	55	65	77	92	109	124	147	175	209	248	296	352	418	498	592	705	840
Internal step	1	2	3	4	5	6	7	8	9	10	11	12	13	14	15	16	17	18	19	20	21	22	23	24
V _{REF1} [mV]	33	40	47	56	67	80	95	113	134	160	190	227	33	40	47	56	67	79	95	113	134	160	190	227
Sense Resist.	$R_{FL} + R_{TR}$	$R_{FL} + R_{TR}$	$R_{FL} + R_{TR}$	$R_{FL} + R_{TR}$	$R_{FL} + R_{TR}$	$R_{FL} + R_{TR}$	$R_{FL} + R_{TR}$	$R_{FL} + R_{TR}$	$R_{FL} + R_{TR}$	$R_{FL} + R_{TR}$	$R_{FL} + R_{TR}$	$R_{FL} + R_{TR}$	$R_{FL} + R_{TR}$	$R_{FL} + R_{TR}$	$R_{FL} + R_{TR}$	$R_{FL} + R_{TR}$	$R_{FL} + R_{TR}$	$R_{FL} + R_{TR}$	$R_{FL} + R_{TR}$	$R_{FL} + R_{TR}$	$R_{FL} + R_{TR}$	$R_{FL} + R_{TR}$	$R_{FL} + R_{TR}$	$R_{FL} + R_{TR}$

Note: LED current values refer to $R_{FL}=0.27 \Omega$, $R_{TR}=1.8 \Omega$.

Table 15. Status register

STAT_REG (read mode)	MSB							LSB
SUB ADD=03	N/A	F_RUN	LED_F	NTC_W	NTC_H	OT_F	N/A	VOUTOK_N
Power ON, SHUTDOWN MODE RESET Value	0	0	0	0	0	0	0	0

8.10 F_RUN

This bit is kept HIGH by the STCF03I during flash mode. By checking this bit, the μ P can verify if the flash mode is running or has been terminated by the time counter.

8.11 LED_F

This bit is set by the STCF03I when the voltage seen on the LED pin is $V_{REF2} > 5.3$ V during a torch or flash operation. This condition can be caused by an open LED, indicating a LED failure. The device automatically goes into Ready mode to avoid damage. Internal high frequency filtering avoids false detections. This bit is reset by the STCF03I following a read operation of the STAT_REG.

8.12 NTC_W

This bit is set HIGH by the STCF03I and the ATN pin is pulled down, when the voltage seen on the pin Rx exceeds $V_{REF4} = 0.56$ V. This threshold corresponds to a warning temperature value at the LED measured by the NTC. The device is still operating, but a warning is sent to the μ P. This bit is reset by the STCF03I following a read operation of the STAT_REG.

8.13 NTC_H

This bit is set HIGH by the STCF03I and the ATN pin is pulled down, when the voltage seen on the pin Rx exceeds V_{REF5} . This threshold (1.2 V) corresponds to an excess temperature value at the LED measured by the NTC. The device is put in ready mode to avoid damaging the LED. This bit is reset by the STCF03I following a read operation of the STAT_REG.

8.14 OT_F

This bit is set HIGH by the STCF03I and the ATN pin is pulled down, when the chip over-temperature protection ($\sim 140^{\circ}\text{C}$) has put the device in ready mode. This bit is reset by the STCF03I following a read operation of the STAT_REG.

8.15 VOUTOK_N

This bit is set by the STCF03I. It is used to protect the device, if the output is shorted. The VOUTOK_N bit is set to HIGH at the start-up. Then a current generator of 20 mA charges the output capacitor for 360 μ s typ. and it detects when the output capacitor reaches 100 mV. If this threshold is reached the bit is set to LOW. If the output is shorted to ground or the LED is shorted, this threshold is never reached: the bit stays HIGH, ATN pin is pulled down and the device will not start. This bit is reset following a read operation of the STAT_REG

Figure 14. VOUTOK_N behavior

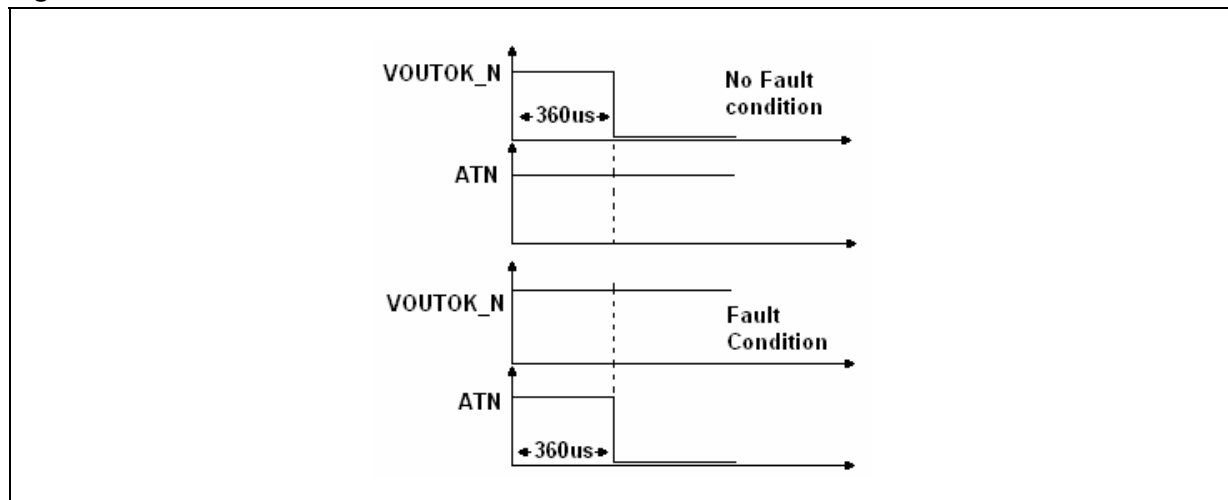


Table 16. Status register details

Bit Name	F_RUN (STAT_REG)	LED_F (STAT_REG)	NTC_W (STAT_REG)	NTC_H (STAT_REG)	OT_F (STAT_REG)	VOUTOK_N (STAT_REG)
Default value	0	0	0	0	0	0
Latched ⁽¹⁾	NO	YES	YES	YES	YES	YES
Forces Ready mode when set	NO	YES	NO	YES	YES	YES
Sets ATN LOW when set	NO	YES	YES	YES	YES	YES

1. YES means that the bit is set by internal signals and is reset to default by an I²C read operation of STAT_REG NO means that the bit is set and reset by internal signals in real-time.

9 Detailed description

9.1 PowerON reset

This mode is initiated by applying a supply voltage above the VPW_ON RESET threshold value. An internal timing (~1 μ s) defines the duration of this status. The logic blocks are powered, but the device doesn't respond to any input. The registers are reset to their default values, the ATN and SDA pins are in high-Z, and the I²C slave address is internally set by reading the ADD pin configuration. After the internally defined time has elapsed, the STCF03I automatically enters the Stand-by mode.

9.2 Shutdown

In this mode, only the I²C interface is alive, accepting I²C commands and register settings. The device enters this mode: automatically from power ON reset status; by resetting the PWR_ON bit from other operation modes. Power consumption is at the minimum (1 μ A typ).

9.3 Ready mode

In this mode all internal blocks are turned ON, but the DC/DC converter is disabled and the white LED is disconnected. The NTC circuit can be activated to monitor the temperature of the LED and I²C commands and register settings are allowed to be executed immediately. Only in this mode the auxiliary LED is operational and can be turned ON and set at the desired brightness using the AUX REGISTER. The device enters this mode: from stand-by by setting the PWR_ON bit; from flash operation by resetting the TRIG pin or the TRIG_EN bit or automatically from flash operation when the time counter reaches zero; from torch operation by resetting the TCH_ON bit. The device automatically enters this mode also when an overload or an abnormal condition has been detected during flash or torch operation ([Table 16: Status register details](#)).

9.4 Single or multiple Flash using external (μ P) temporization

To avoid the I²C bus time latency, it is recommended to use the dedicated TRIG pin to define the flash duration (hard-triggering). The TRIG_EN bit of CMD_REG should be set before starting each flash operation, because it could have been reset automatically in the previous flash operation. The flash duration is determined by the pulse length that drives the TRIG pin. As soon as the flash is activated, the system needs typically 1.2 ms to ramp up the output current on the Power LED. The internal time counter will time-out flash operation and keep the LED dissipated energy within safe limits in case of Software deadlock; FTIM register has to be set first, either in stand-by or in ready mode. Multiple flashes are possible by strobing the TRIG pin. Time out counter will cumulate every flash on-time until the defined time out is reached unless it is reloaded by updating the CMD_REG. After a single or multiple flash operations are timed-out, the device automatically goes into Ready mode by resetting the TRIG_EN bit, and also resets the F_RUN bit. The ATN pin is pulled down to inform the μ P that the STAT_REG has been updated.

9.5 External (μ P) temporization using TRIG_EN bit

Even if it is possible, it is not recommended to use the TRIG_EN bit to start and stop the flash operation, because of I²C bus latencies: this would result in inaccurate flash timing. Nevertheless, if this operation mode is chosen, the TRIG pin has to be kept High (logic level or wired to V_{BAT}), leaving the whole flash control to the I²C bus. Also in this operation mode the time counter will time-out flash operation and keep the energy dissipated by the LED within safe limits in case of SW deadlock.

9.6 Single Flash using internal temporization

Flash triggering can be obtained either by TRIG pin (hard-triggering) or by I²C commands (soft-triggering). The first solution is recommended for an accurate start time, while the second is less accurate because of the I²C bus time latency. Stop time is defined by the STCF03I internal temporization and its accuracy is determined by the internal oscillator. For hard-triggering, it is necessary to set the TRIG_EN bit in advance. For soft-triggering, the TRIG pin has to be kept High (logic level or wired to V_{BAT}) and the flash can be started by setting the FTIM and the TRIG_EN through I²C (both are located in the CMD_REG). There is a delay time between the moment the flash is triggered and when it appears. This delay is caused by the time necessary to charge up the output capacitor, which is around 1.2 ms depending on battery voltage and output current value. Once triggered, the flash operation will be stopped when the time counter reaches zero. As soon as the flash is finished, the F_RUN bit is reset, the ATN pin is pulled down for 11 μ s to inform the μ P that the STAT_REG has been updated and the device goes back to Ready mode. If it is necessary to make a flash longer than the internal timer allows or a continuous flash, then the FTIM must be reloaded through I²C bus every time, before the internal timer reaches zero. For example: To get a continuous flash, set FTIM to 1.5 s and every 1 s reload the CMD_REG.

9.7 Multiple Flash using internal temporization

This operation has to be processed as a sequence of single flashes using internal temporization starting from hard or soft triggering. Since the TRIG_EN bit is reset at the end of each flash, it is necessary to reload the CMD_REG to start the next one.

10 Typical performance characteristics

Figure 15. Flash current vs F_DIMM

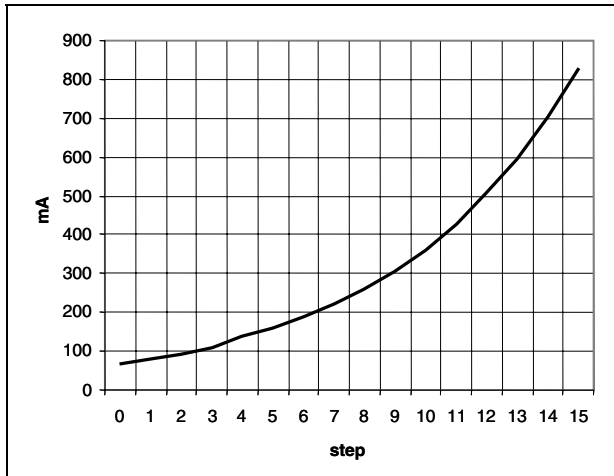


Figure 16. Torch current vs T_DIMM

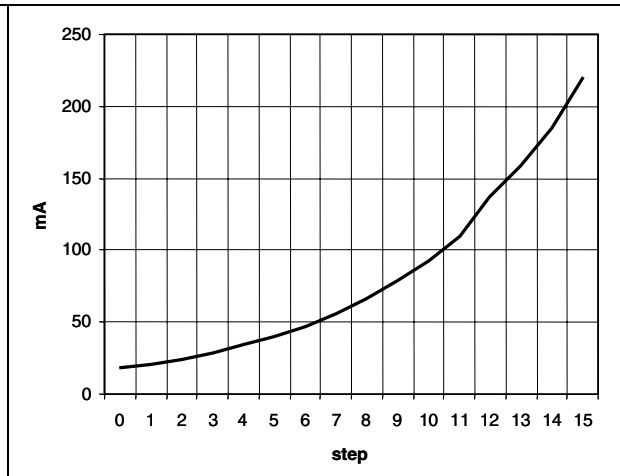


Figure 17. Aux current vs AUXI

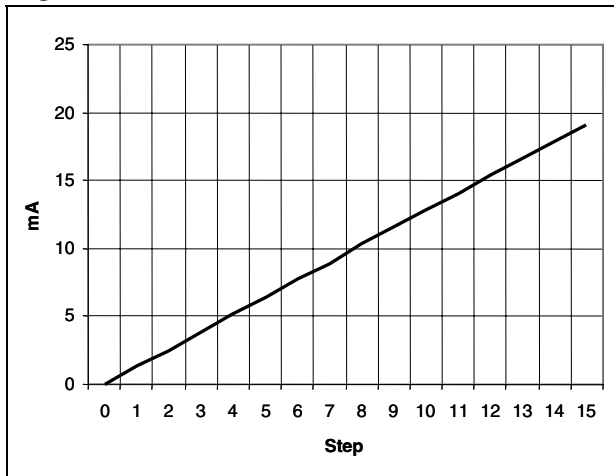


Figure 18. Flash current vs temp

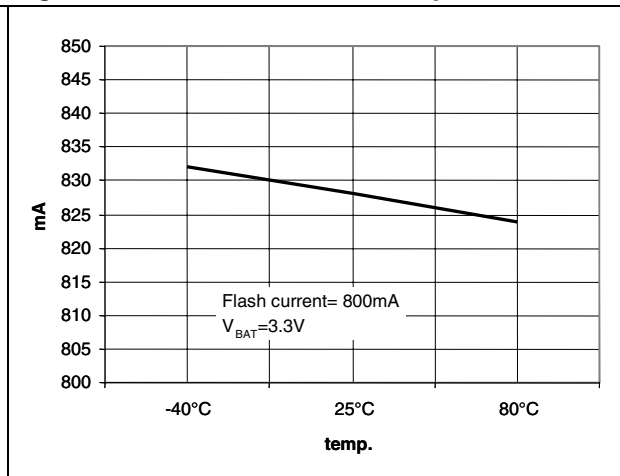


Figure 19. VFB2 flash vs temp

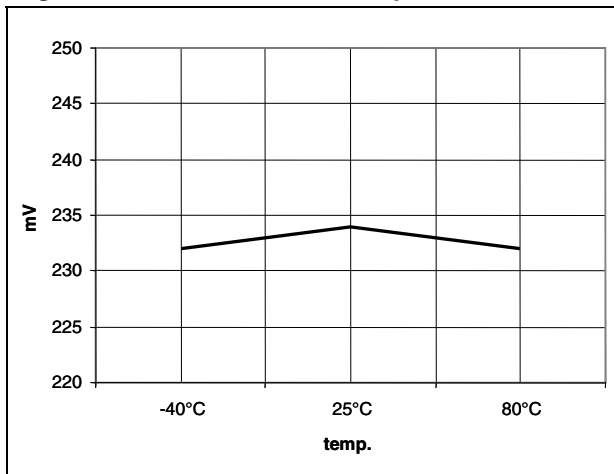


Figure 20. I_Q vs temp

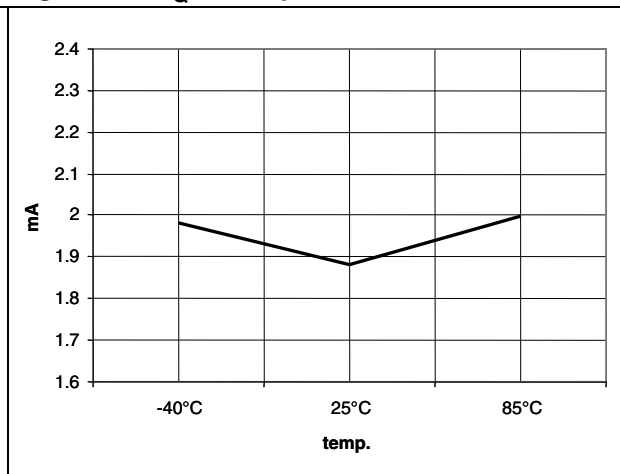


Figure 21. Efficiency

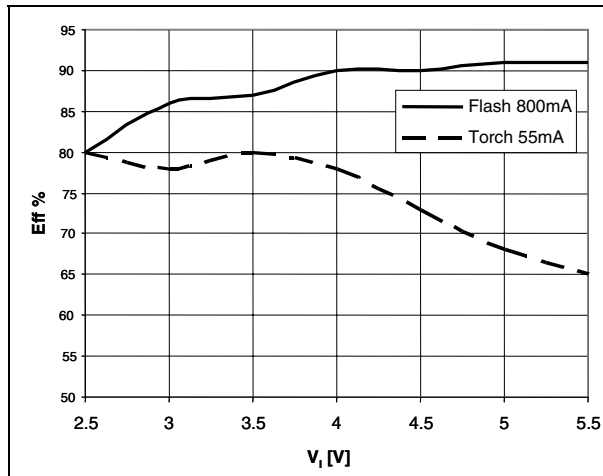


Figure 22. Start-Up in flash mode 800 mA at $V_i = 3.6$ V

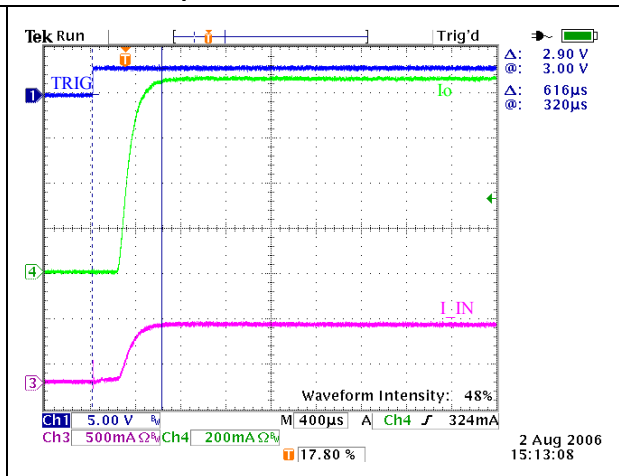
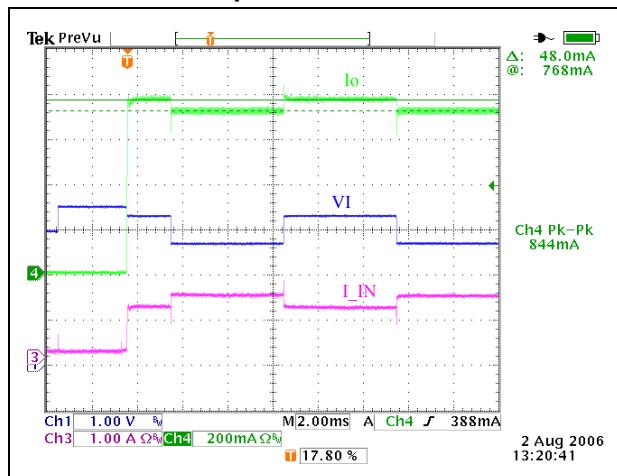


Figure 23. Line transient in flash mode 800 mA, change of V_i from 2.7 V to 3.3V in 10 µs

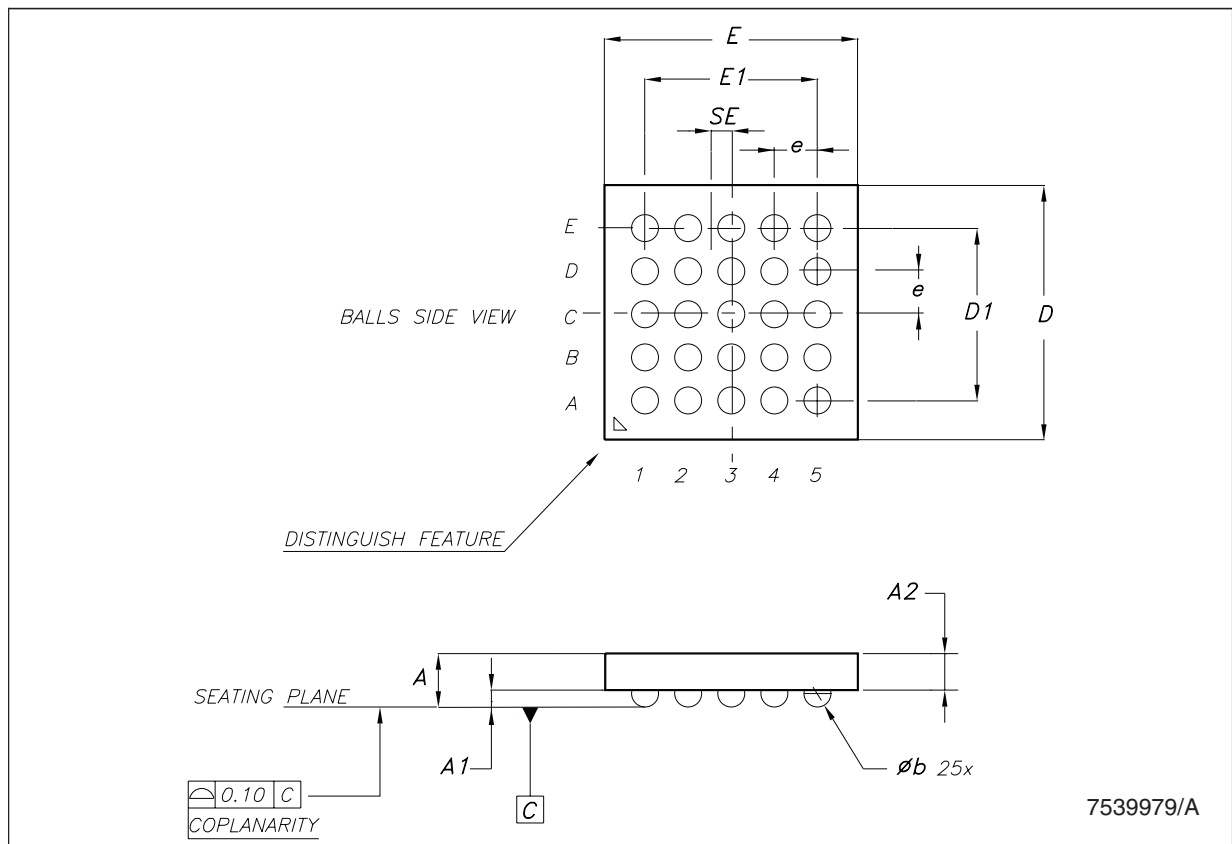


11 Package mechanical data

In order to meet environmental requirements, ST offers these devices in ECOPACK® packages. These packages have a lead-free second level interconnect. The category of second level interconnect is marked on the package and on the inner box label, in compliance with JEDEC Standard JESD97. The maximum ratings related to soldering conditions are also marked on the inner box label. ECOPACK is an ST trademark. ECOPACK specifications are available at: www.st.com

TFBGA25 mechanical data

Dim.	mm.			mils.		
	Min.	Typ.	Max.	Min.	Typ.	Max.
A	1.0	1.1	1.16	39.4	43.3	45.7
A1			0.25			9.8
A2	0.78		0.86	30.7		33.9
b	0.25	0.30	0.35	9.8	11.8	13.8
D	2.9	3.0	3.1	114.2	118.1	122.0
D1		2			78.8	
E	2.9	3.0	3.1	114.2	118.1	122.0
E1		2			78.8	
e		0.5			19.7	
SE		0.25			9.8	



Tape & reel TFBGA25 mechanical data

Dim.	mm.			inch.		
	Min.	Typ.	Max.	Min.	Typ.	Max.
A			330			12.992
C	12.8		13.2	0.504		0.519
D	20.2			0.795		
N	60			2.362		
T			14.4			0.567
Ao		3.3			0.130	
Bo		3.3			0.130	
Ko		1.60			0.063	
Po	3.9		4.1	0.153		0.161
P	7.9		8.1	0.311		0.319



12 Revision history

Table 17. Document revision history

Date	Revision	Changes
23-Jul-2007	1	First release.
27-Aug-2007	2	Modified Table 5 .
05-Sep-2007	3	Added row NTC_REF on Table 6 .
12-Sep-2007	4	Modified Figure 2 .
10-Sep-2008	5	Added Figure 4 on page 14 .

Please Read Carefully:

Information in this document is provided solely in connection with ST products. STMicroelectronics NV and its subsidiaries ("ST") reserve the right to make changes, corrections, modifications or improvements, to this document, and the products and services described herein at any time, without notice.

All ST products are sold pursuant to ST's terms and conditions of sale.

Purchasers are solely responsible for the choice, selection and use of the ST products and services described herein, and ST assumes no liability whatsoever relating to the choice, selection or use of the ST products and services described herein.

No license, express or implied, by estoppel or otherwise, to any intellectual property rights is granted under this document. If any part of this document refers to any third party products or services it shall not be deemed a license grant by ST for the use of such third party products or services, or any intellectual property contained therein or considered as a warranty covering the use in any manner whatsoever of such third party products or services or any intellectual property contained therein.

UNLESS OTHERWISE SET FORTH IN ST'S TERMS AND CONDITIONS OF SALE ST DISCLAIMS ANY EXPRESS OR IMPLIED WARRANTY WITH RESPECT TO THE USE AND/OR SALE OF ST PRODUCTS INCLUDING WITHOUT LIMITATION IMPLIED WARRANTIES OF MERCHANTABILITY, FITNESS FOR A PARTICULAR PURPOSE (AND THEIR EQUIVALENTS UNDER THE LAWS OF ANY JURISDICTION), OR INFRINGEMENT OF ANY PATENT, COPYRIGHT OR OTHER INTELLECTUAL PROPERTY RIGHT.

UNLESS EXPRESSLY APPROVED IN WRITING BY AN AUTHORIZED ST REPRESENTATIVE, ST PRODUCTS ARE NOT RECOMMENDED, AUTHORIZED OR WARRANTED FOR USE IN MILITARY, AIR CRAFT, SPACE, LIFE SAVING, OR LIFE SUSTAINING APPLICATIONS, NOR IN PRODUCTS OR SYSTEMS WHERE FAILURE OR MALFUNCTION MAY RESULT IN PERSONAL INJURY, DEATH, OR SEVERE PROPERTY OR ENVIRONMENTAL DAMAGE. ST PRODUCTS WHICH ARE NOT SPECIFIED AS "AUTOMOTIVE GRADE" MAY ONLY BE USED IN AUTOMOTIVE APPLICATIONS AT USER'S OWN RISK.

Resale of ST products with provisions different from the statements and/or technical features set forth in this document shall immediately void any warranty granted by ST for the ST product or service described herein and shall not create or extend in any manner whatsoever, any liability of ST.

ST and the ST logo are trademarks or registered trademarks of ST in various countries.

Information in this document supersedes and replaces all information previously supplied.

The ST logo is a registered trademark of STMicroelectronics. All other names are the property of their respective owners.

© 2008 STMicroelectronics - All rights reserved

STMicroelectronics group of companies

Australia - Belgium - Brazil - Canada - China - Czech Republic - Finland - France - Germany - Hong Kong - India - Israel - Italy - Japan - Malaysia - Malta - Morocco - Singapore - Spain - Sweden - Switzerland - United Kingdom - United States of America

www.st.com