

# MRF10150



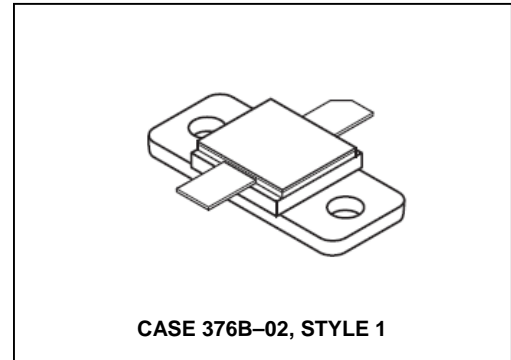
## Microwave Pulse Power Silicon NPN Transistor 150W (peak), 1025–1150MHz

M/A-COM Products  
Released - Rev. 07.07

### Product Image

Designed for 1025–1150 MHz pulse common base amplifier applications such as TCAS, TACAN and Mode-S transmitters.

- Guaranteed performance @ 1090 MHz  
Output power = 150 W Peak  
Gain = 9.5 dB min, 10.0 dB (typ.)
- 100% tested for load mismatch at all phase angles with 10:1 VSWR
- Hermetically sealed package
- Silicon nitride passivated
- Gold metallized, emitter ballasted for long life and resistance to metal migration
- Internal input and output matching
- Characterized with 10  $\mu$ s, 10% duty cycle pulses
- Recommended driver for a pair of MRF10500 transistors



### MAXIMUM RATINGS

Rating	Symbol	Value	Unit
Collector–Emitter Voltage	$V_{CES}$	65	Vdc
Collector–Base Voltage	$V_{CBO}$	65	Vdc
Emitter–Base Voltage	$V_{EBO}$	3.5	Vdc
Collector Current — Peak (1)	$I_C$	14	Adc
Total Device Dissipation @ $T_C = 25^\circ\text{C}$ (1), (2) Derate above $25^\circ\text{C}$	$P_D$	700 4.0	Watts $\text{W}/^\circ\text{C}$
Storage Temperature Range	$T_{stg}$	–65 to +200	$^\circ\text{C}$
Junction Temperature	$T_J$	200	$^\circ\text{C}$

### THERMAL CHARACTERISTICS

Characteristic	Symbol	Max	Unit
Thermal Resistance, Junction to Case (3)	$R_{\theta JC}$	0.25	$^\circ\text{C}/\text{W}$

#### NOTES:

1. Under pulse RF operating conditions.
2. These devices are designed for RF operation. The total device dissipation rating applies only when the devices are operated as pulsed RF amplifiers.
3. Thermal Resistance is determined under specified RF operating conditions by infrared measurement techniques. (Worst case  $\theta_{JC}$  value measured @ 10  $\mu$ s, 10%.)

**Microwave Pulse Power Silicon NPN Transistor**  
**150W (peak), 1025–1150MHz**

M/A-COM Products  
 Released - Rev. 07.07

**ELECTRICAL CHARACTERISTICS** ( $T_C = 25^\circ\text{C}$  unless otherwise noted.)

Characteristic	Symbol	Min	Typ	Max	Unit
----------------	--------	-----	-----	-----	------

**OFF CHARACTERISTICS**

Collector–Emitter Breakdown Voltage ( $I_C = 60 \text{ mAdc}$ , $V_{BE} = 0$ )	$V_{(BR)CES}$	65	—	—	Vdc
Collector–Base Breakdown Voltage ( $I_C = 60 \text{ mAdc}$ , $I_E = 0$ )	$V_{(BR)CBO}$	65	—	—	Vdc
Emitter–Base Breakdown Voltage ( $I_E = 10 \text{ mAdc}$ , $I_C = 0$ )	$V_{(BR)EBO}$	3.5	—	—	Vdc
Collector Cutoff Current ( $V_{CB} = 36 \text{ Vdc}$ , $I_E = 0$ )	$I_{CBO}$	—	—	25	mAdc

**ON CHARACTERISTICS**

DC Current Gain ( $I_C = 5.0 \text{ Adc}$ , $V_{CE} = 5.0 \text{ Vdc}$ )	$h_{FE}$	20	—	—	—
--	----------	----	---	---	---

**FUNCTIONAL TESTS**

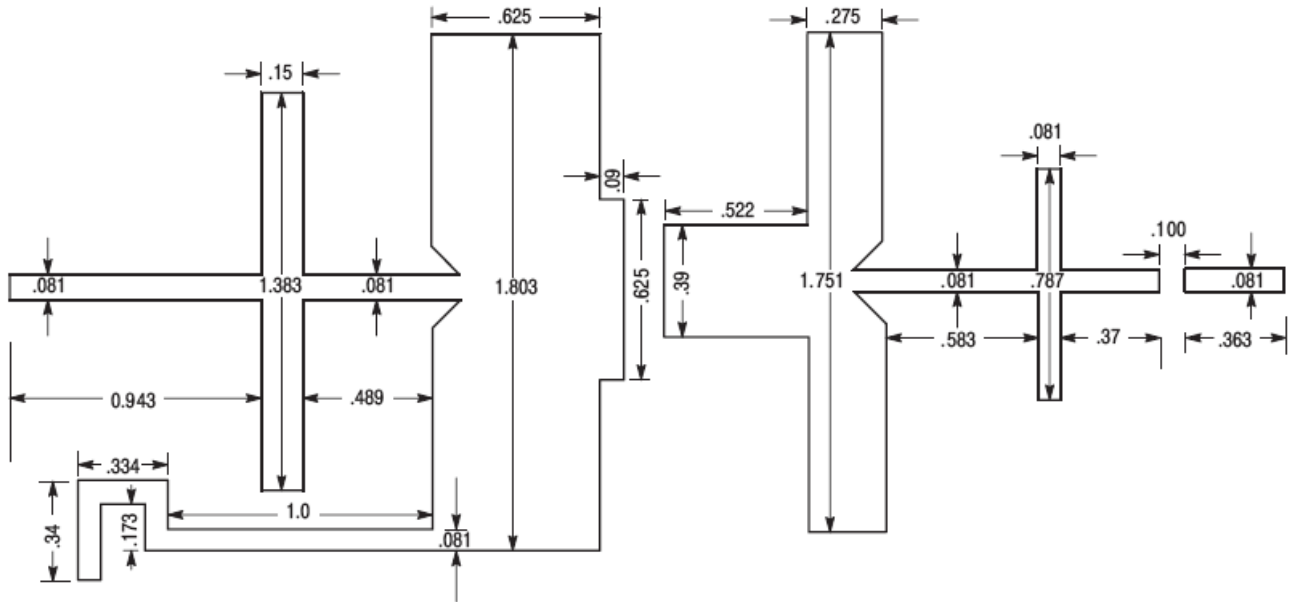
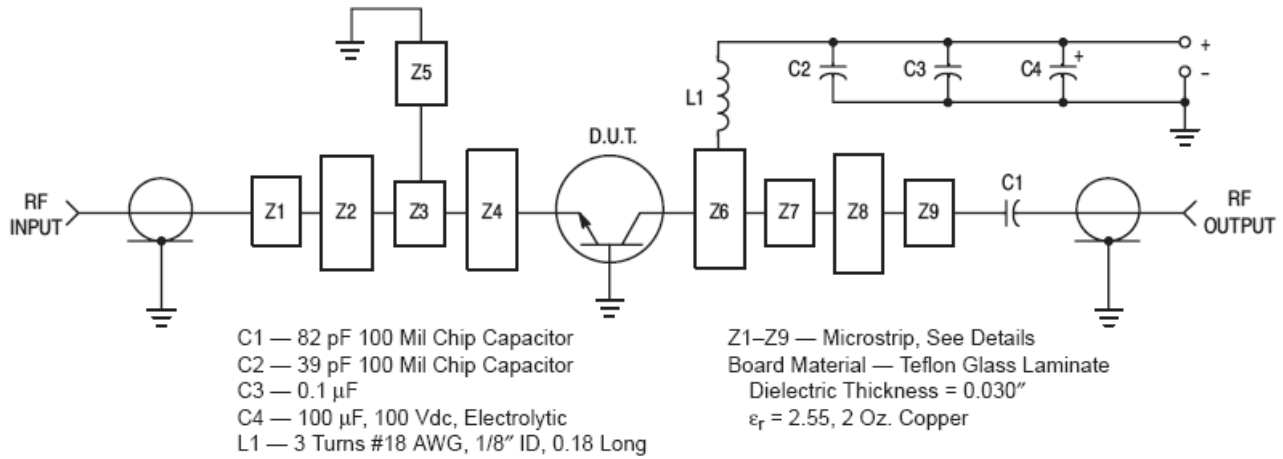
Common–Base Amplifier Power Gain ( $V_{CC} = 50 \text{ Vdc}$ , $P_{out} = 150 \text{ W Peak}$ , $f = 1090 \text{ MHz}$ )	$G_{PB}$	9.5	10	—	dB
Collector Efficiency ( $V_{CC} = 50 \text{ Vdc}$ , $P_{out} = 150 \text{ W Peak}$ , $f = 1090 \text{ MHz}$ )	$\eta$	40	—	—	%
Load Mismatch ( $V_{CC} = 50 \text{ Vdc}$ , $P_{out} = 150 \text{ W Peak}$ , $f = 1090 \text{ MHz}$ , $V_{SWR} = 10:1$ All Phase Angles)	$\psi$	No Degradation in Output Power			

# MRF10150



Microwave Pulse Power Silicon NPN Transistor  
150W (peak), 1025–1150MHz

M/A-COM Products  
Released - Rev. 07.07



**ADVANCED:** Data Sheets contain information regarding a product M/A-COM Technology Solutions is considering for development. Performance is based on target specifications, simulated results, and/or prototype measurements. Commitment to develop is not guaranteed.  
**PRELIMINARY:** Data Sheets contain information regarding a product M/A-COM Technology Solutions has under development. Performance is based on engineering tests. Specifications are typical. Mechanical outline has been fixed. Engineering samples and/or test data may be available. Commitment to produce in volume is not guaranteed.

- **North America** Tel: 800.366.2266 / Fax: 978.366.2266
- **Europe** Tel: 44.1908.574.200 / Fax: 44.1908.574.300
- **Asia/Pacific** Tel: 81.44.844.8296 / Fax: 81.44.844.8298

Visit [www.macomtech.com](http://www.macomtech.com) for additional data sheets and product information.

M/A-COM Technology Solutions Inc. and its affiliates reserve the right to make changes to the product(s) or information contained herein without notice.

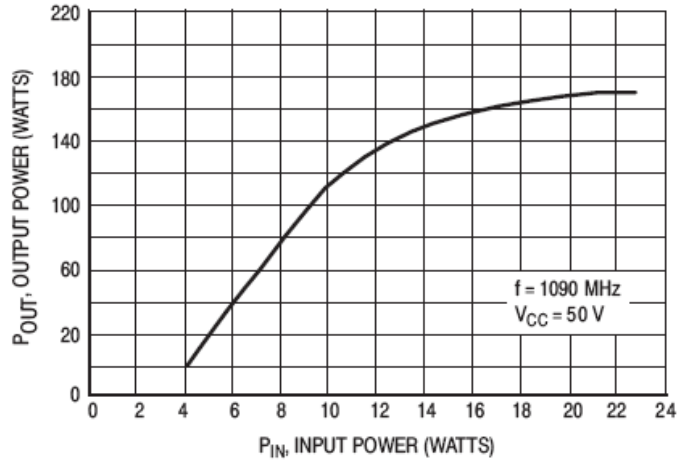
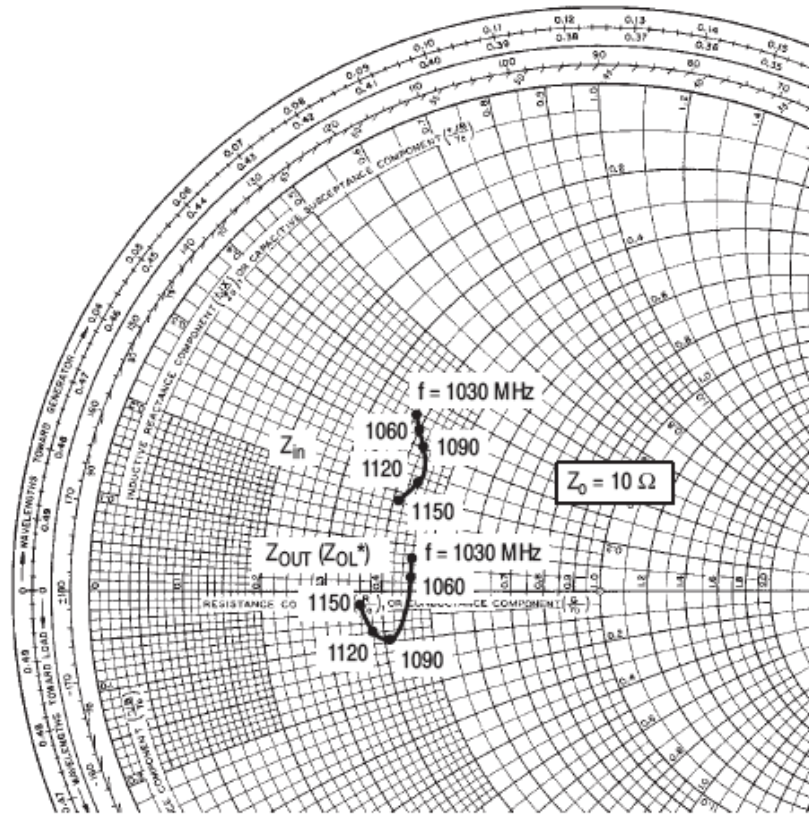


Figure 2. Output Power versus Input Power



$P_{OUT} = 150 \text{ W Pk}$   $V_{CC} = 50 \text{ V}$

f MHz	$Z_{in}$ OHMS	$Z_{OL}^*$ ( $Z_{OUT}$ ) OHMS
1030	$3.8 + j3.5$	$4.6 + j0.7$
1060	$4.0 + j3.3$	$4.6 + j0.3$
1090	$4.2 + j3.0$	$4.1 - j1.0$
1120	$4.4 + j2.3$	$3.8 - j0.8$
1150	$4.1 + j1.8$	$3.6 - j0.3$

$Z_{OL}^*$  is the conjugate of the optimum load impedance into which the device operates at a given output power voltage and frequency.

Figure 3. Series Equivalent Input/Output Impedances

## PACKAGE DIMENSIONS

